

**OPERATING AND INSTALLATION INSTRUCTIONS**

**Heavy-Duty  
Diaphragm Pumps  
made of Plastic**



**AHS Series**

**AHS 15**

**AHS 25**



**Original Instruction**  
Read carefully before pump installation

## CONTENTS

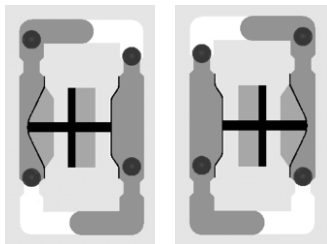
	Page
1. Introduction	3
1.1. General description of the machine, appropriate use and residual dangers	3
1.2. Storage and long-term usage	3
1.3. Codesystem	4
2. Technical data	5
2.1. Performance charts	5
2.2. Dimensions	6
3. Installing the pump	7
3.1. Installation into the piping system	7
3.1.1. Product ports	7
3.1.2. Connecting the air supply	8
3.2. Start-up and operation of the pump	9
3.3. Further safety hints	9
3.4. Additional temperature hints	11
3.5. Hints for using the AHS pump with external booster for filter press feeding	11
3.5. Providing spare parts	12
4. Disassembly of the elements of construction	12
4.1. Pump housings and manifolds	12
4.2. Suction and discharge valves	13
4.3. Diaphragms	13
4.4. Center block	13
4.4.1. Shaft piston rings	13
4.4.2. Air control system <i>PERSWING P</i> <sup>®</sup>	13
4.4.3. Air filter	14
5. Assembly of the elements of construction	14
5.1. Center block	14
5.1.1. Air control system <i>PERSWING P</i> <sup>®</sup>	14
5.1.2. Shaft piston rings	14
5.2. Diaphragms	14
5.3. Suction and discharge valves	14
5.4. Housing bolts with spring washers	15
5.5. Pump housings and manifolds	15
6. Testing advises	15
6.1. Air valve	15
6.2. Correct function and sealing	15
7. Troubleshooting	16
8. Spare part list	19
9. Exploded view	20
10. Optional equipment	21
10.1. External pressure booster	21
10.2. Stroke counting	21
10.3. Diaphragm monitoring	22
10.4. ANSI flange connections	22
10.5. Spare part list optional equipment	23

## 1. INTRODUCTION

ALMATEC air-operated diaphragm pumps are constructed according to the state of the art and they are reliable. Imminent danger by operating error or misuse can lead to damages of properties and/or persons. The pumps are to be applied for the intended use and in a safety-related proper condition only.

Each person working on the ALMATEC diaphragm pumps concerning installation, start-up, handling or maintenance has to read this manual completely and in an attentive way and has to follow all mentioned procedures and safety notes.

### 1.1. General description of the machine, appropriate use and residual dangers



The ALMATEC AHS pumps are oscillating positive displacement pumps and are based on the functional principle of double diaphragm pumps. The basic configuration consists of two external pump housings with a center block between them. Each of the pump housings contains a product chamber which is sealed against the center block by a diaphragm. The two diaphragms are interconnected by a piston rod. Directed by an air control system, the diaphragms are alternately loaded with compressed air so that they move back and forth. In the first figure, the compressed air has forced the left-hand diaphragm towards the product chamber and displaced the liquid from that chamber through the open valve at the top to the discharge port. Liquid is simultaneously drawn in by the right-hand diaphragm, thus refilling the second product chamber. When the end of the stroke is reached, it reverses automatically and the cycle is repeated in the opposite direction. In the second figure, liquid is drawn in by the left-hand diaphragm and displaced by the right-hand diaphragm.

The appropriate use of an Almatec air-operated double diaphragm pump of the AHS series refers to the liquid (or sludge) transport taking into account the operation parameter mentioned in this manual and in compliance of the given terms for commissioning, operation, assembly, disassembly and maintenance.

Even if all necessary safety measures described in this manual have been met, a residual danger exists by leakages or mechanical damages. At sealing areas or connections liquid can be released uncontrollably then.

### 1.2. Storage and long-term usage

In general the ALMATEC pump is delivered operational and packaged. If the unit is not installed right away, proper storage conditions are important for a trouble free operation later. The pump has to be protected from wetness, coldness, dirtying, UV-radiation and mechanical influences. The following storage conditions are recommended:

- Steady ventilated, dust and vibration free storage room
- Ambient temperature between 15°C (59°F) and 25°C (77°F) with a relative humidity below 65%
- Prevention of direct thermal influences (sun, heating)

Plastic materials are subject to aging processes depending on material, surrounding conditions and application parameters. Chemical contact and/or increased temperature can amend material characteristics on the long run, especially mechanical capabilities. For safety reasons, we do therefore recommend as part of every maintenance (resp. in case of no maintenance till then after two years and then every six month): A careful visual check of all pump parts for visible damages, a tactile check of all sealing surface (e.g. by moving a finger along the surface after cleaning), a shape-check of the housing parts (e.g. by laying a drawer on plain surfaces) and a movability check of all threads. Any eventually damaged part needs to be replaced!

### 1.3. Code system

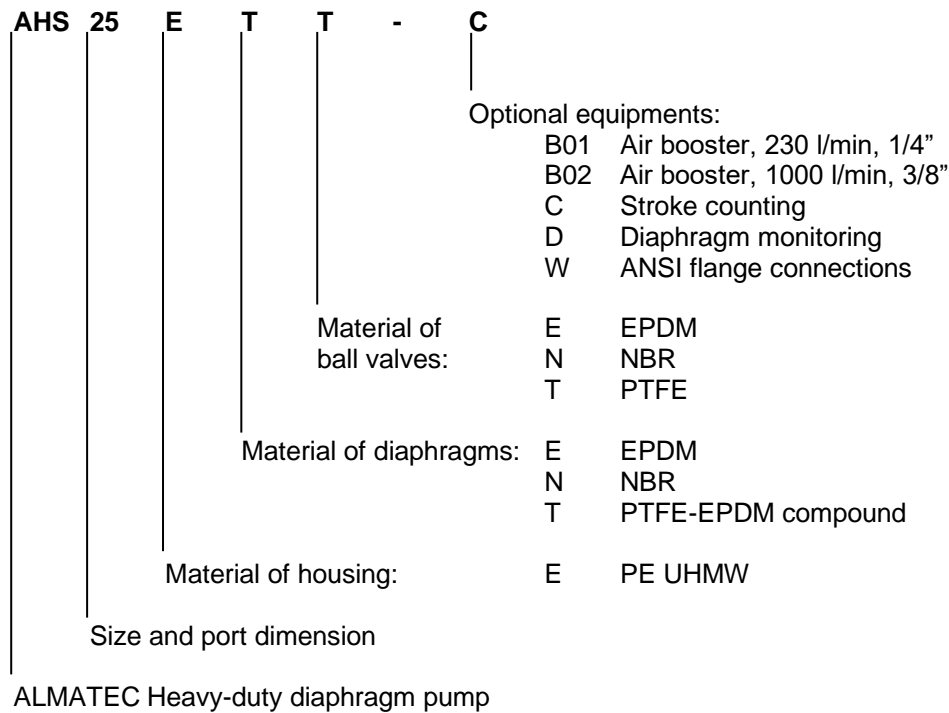
PSG Germany GmbH is certified as a modern, quality-orientated enterprise according to DIN EN ISO 9001 and 14001. Before release for dispatch, any pump has to undergo an extended final control. The performance data registered during this are archived in our records and can be read back at any time.

As a general rule in the countries of the EU only such machines are allowed to take into operation, which are determined to meet the regulations of the EU machinery directive, the harmonized standards, European standards and the respective national standards. Hence the operator has to verify whether the ALMATEC pump manufactured and delivered properly according to the customer's order meets the mentioned requirements.

Therefore make sure, before putting the pump into operation, that the pump and the used materials of construction are suitable for the provided application and the installation site. To check this, the exact pump code is required. This code, the serial number and the year of construction are noted on the identification plates on the pump itself.

Based on the ALMATEC air-operated diaphragm pump range, ALMATEC heavy-duty diaphragm pumps AHS 15 and AHS 25 have especially been developed for the requirements of abrasive media and/or high pressure applications. The construction of the AHS pumps allows the operation with a maximum drive pressure and discharge pressure of 15 bar.

Here is an example to illustrate the system of the ALMATEC pump codes:

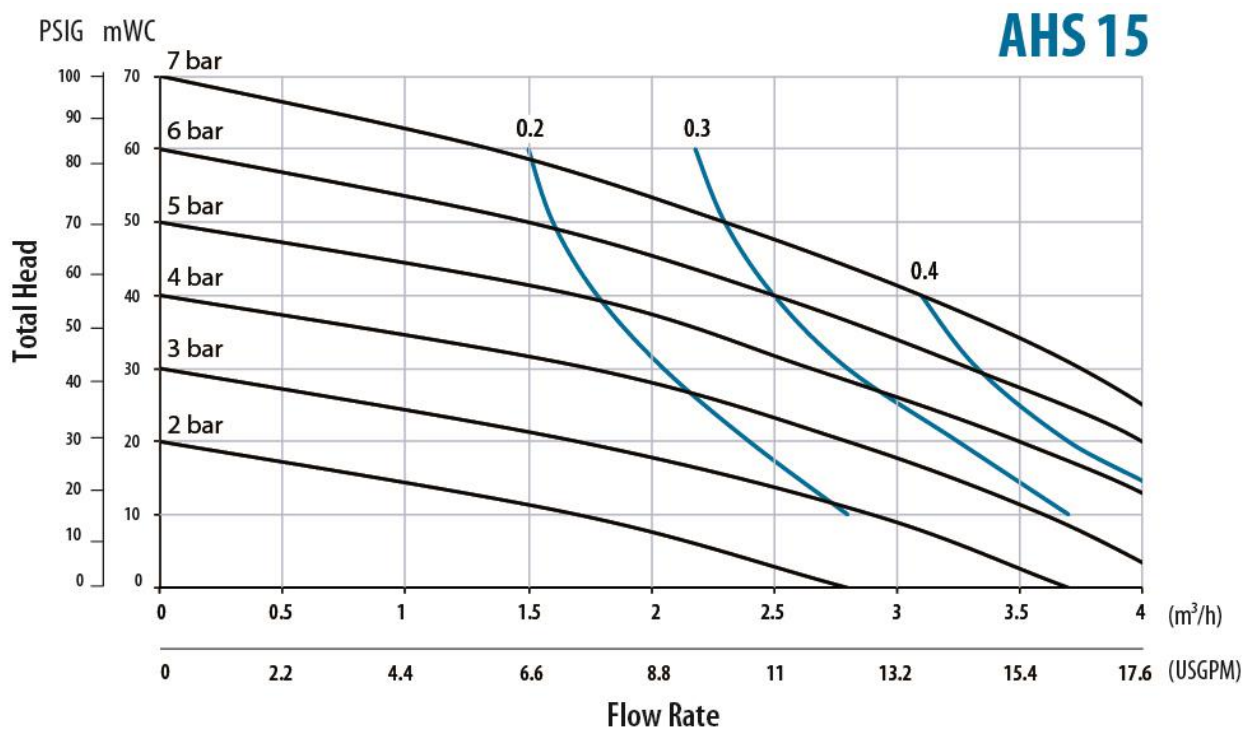


2. TECHNICAL DATA

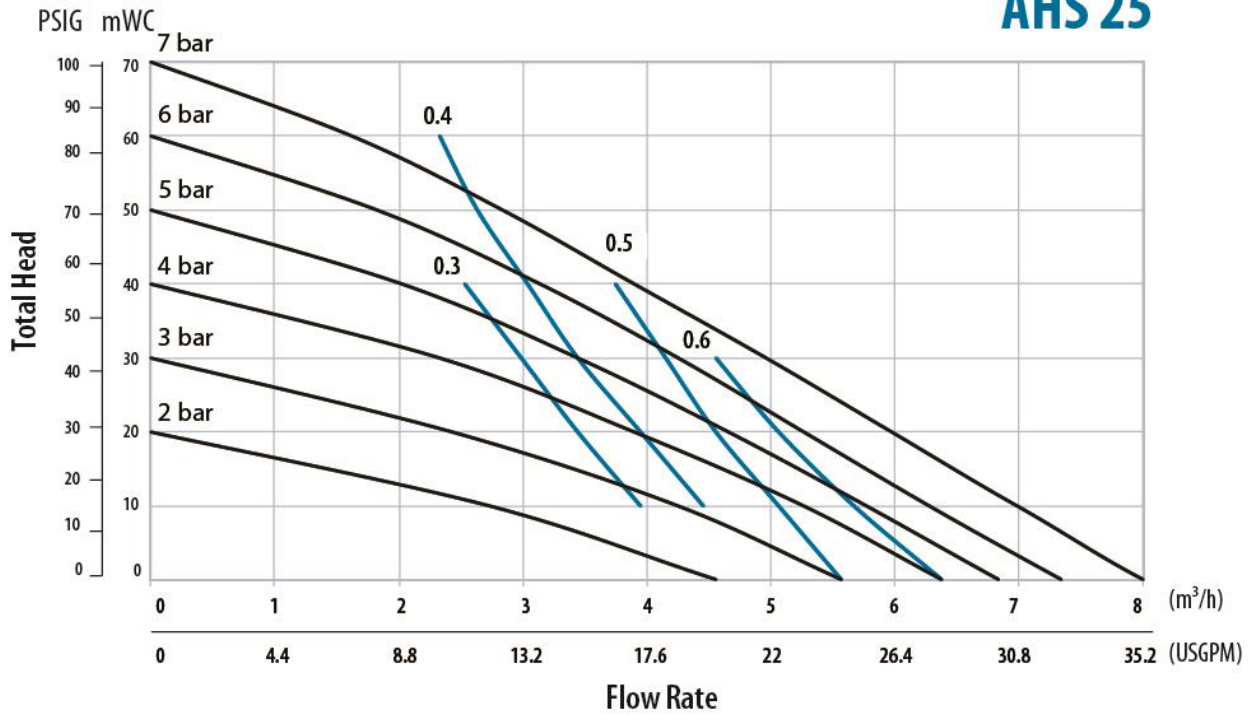
Pump size	AHS 15	AHS 25
Dimensions mm ("):		
width	266 (10.5)	336 (13.2)
depth	177 (7.0)	256 (10.1)
height	336 (13.2)	412 (16.2)
Flange connections, port DIN or ANSI	15 (1/2")	25 (1")
Air connection BSP	1/4"	1/4"
Weight kg (lbs)	9 (20)	19 (42)
Max. particle size of solids mm (")	4 (0.16)	5 (0.20)
Suction lift, dry mWC ('): EPDM/NBR ball valves	2 (6.6)	2.5 (8.2)
PTFE ball valves	1.5 (4.9)	1.5 (4.9)
Suction lift, wet mWC (')	9.5 (31.2)	9.5 (31.2)
Max. driving and operating pressure bar (psig)	15 (218)	15 (218)
Max. operating temperature °C (°F)	70 (158)	70 (158)
Sound pressure level acc. to DIN 45635, part 24, depending on the operating data [dB (A)]:		
driving pressure 3 bar	68-77	76-86
driving pressure 5 bar	68-84	78-88
driving pressure 7 bar	68-85	79-88

2.1. Performance charts

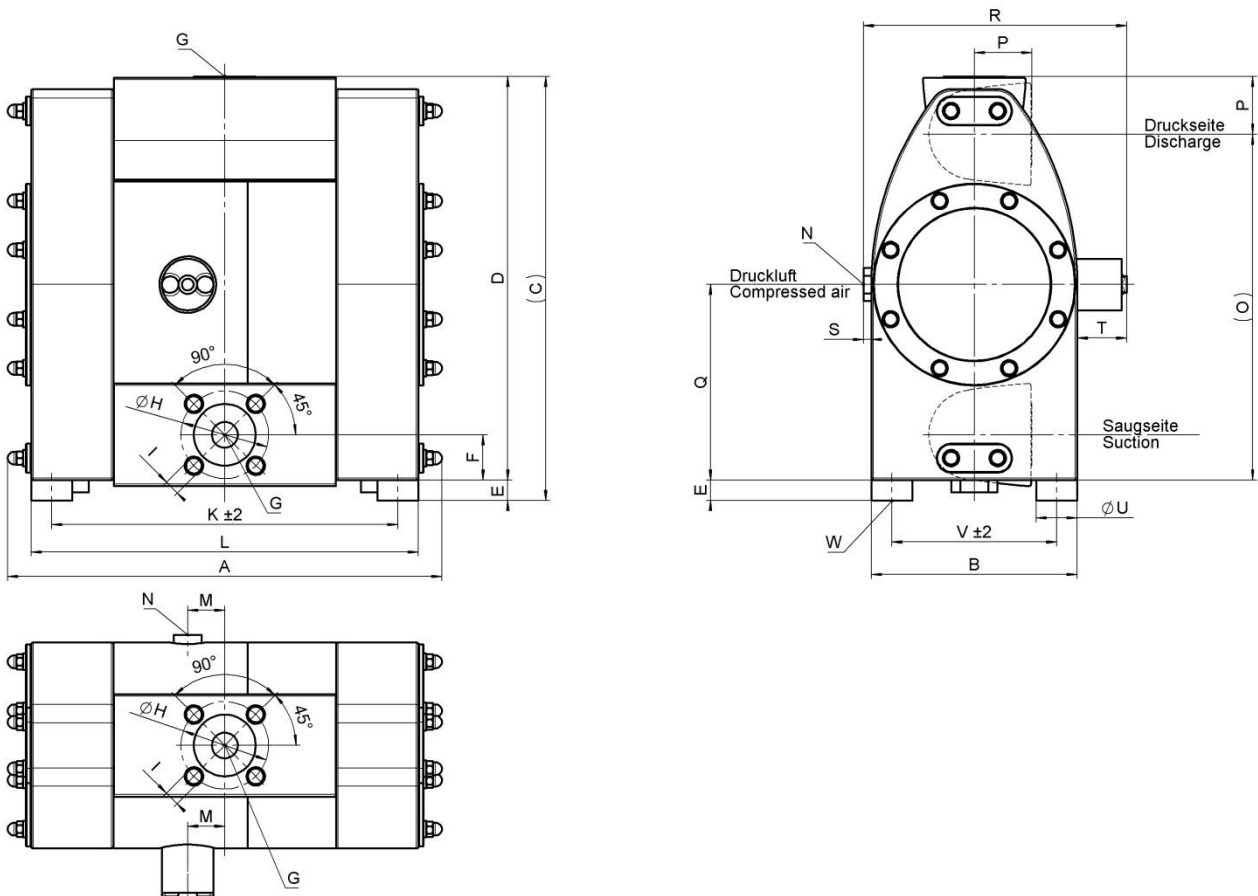
The data refer to water (20°C/68°F), under using of a compressor Atlas Copco VSG30 and calibrated measuring equipment. The specified performance data are warranted by ALMATEC in accordance with DIN EN ISO 9906. The blue lines state the air consumption in Nm<sup>3</sup>/min.



**AHS 25**



**2.2. Dimensions**



mm*	A	B	C	D	E	F	G	H	I	K	L	M	N	O	P	Q	R	S	T	U	V
<b>AHS 15</b>	266	152	336	316	20	37	DN15/PN16	65	M12	190	230	112	R 1/4"	263	53	150	177	5	20	40	M8
<b>AHS 25</b>	335	200	412	392	20	44	DN25/PN16	85	M12	250	290	160	R 1/4"	336	56	190	255	7	48	40	M8

inch**	A	B	C	D	E	F	G	H	I	K	L	M	N	O	P	Q	R	S	T	U	V
<b>AHS 15</b>	10.5	6.0	13.2	12.4	0.8	1.5	ANSI 1/2" - 300lbs	2.6	1/2" UNC	7.5	9.1	4.4	BSP 1/4"	10.4	2.1	5.9	7.0	0.2	0.8	1.6	M8
<b>AHS 25</b>	13.2	7.9	16.2	15.4	0.8	1.7	ANSI 1" - 300lbs	3.5	5/8" UNC	9.8	11.4	6.3	BSP 1/4"	13.2	2.2	7.5	10.0	0.3	1.9	1.6	M8

\* in mm, with DIN flanges  
 \*\* in inch, with ANSI flanges

### 3. INSTALLING THE PUMP

The number in brackets, which is added to every part mentioned in the following explanations, refers to its position in the spare part list and the exploded view. UV-radiation can damage the housing parts of pumps made of PE. The operator is responsible for an adequately stability and an appropriate fixation of the piping according to the state of the art. To facilitate the installation and maintenance shut off valves should be installed right before and after the pump.

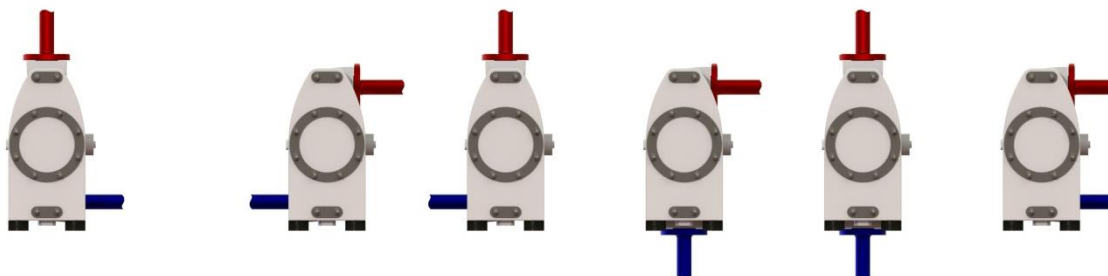
#### 3.1. Installation into the piping system

Each of the shock absorbers [15] the pump is standing on is equipped with a female thread at its bottom for easy installation of the pump. Before connecting the pump, the blind plugs have to be removed from the suction and discharge manifolds [4] as well as the air inlet [21].

##### 3.1.1. Product ports

In general, the pumps have to be connected load free. Neglecting this causes leakage and maybe even damages. They cannot serve as a fixing point within a piping system. To avoid vibrations compensators on both sides of the pump are recommended. Alternatively, hoses for suction and discharge help absorbing vibrations. These would as well avoid the transfer of pulsation and noise onto pipes, tanks and other parts of a plant, besides the conveyance is more gentle. These hoses have to carry an appropriate armourment to avoid diminishing the diameter of the suction pipe by the vacuum the pump develops.

The nominal width of the connection pipes has to be chosen in accordance to the connections of the pump. A smaller piping can cause cavitation (suction line) as well as a loss of performance (suction and discharge line). In case the pipe is too big, the dry suction capacity of the pump can decrease. Using flanges according to DIN DN 15/25 PN 16 or ANSI 300 lb/sq.inch, the suction line has to be connected to the lower manifold [4], the discharge to the upper one. The position of the manifolds can be varied in steps of 90° for a horizontal or vertical connection. To do so, the corresponding two housing bolts [14] have to be taken out beforehand. After turning the manifold [4], the bolts have to be fixed and tightened again.



The first version is the standard configuration when the pump is shipped: Suction port horizontal and discharge port vertical to the top.

Seal the suction line diligently to avoid air intrusion. A suction line continuously rising will prevent the formation of air locks in the line which would affect the suction lift.

If pressurised air chambers are positioned beyond the pump discharge, these have to be disconnected from the pump by non-return valves. If using the pump for filter press feeding the ALMATEC heavy-duty diaphragm pump regulates itself automatically according to the pressure of the filter press, additionally influencing the pump by a pressurised regulated air chamber cannot be permitted on principle.

### 3.1.2. Connecting the air supply

The air inlet [21] is located in the middle of the center block [18]. When delivered it is covered by a bilingual sticker with safety instructions, which can be easily removed. To supply the pump with driving air sufficiently, an appropriate diameter of the air supply line is required, at least the same nominal size as the air inlet of the pump (AHS 15/25). We recommend connecting the pump via a hosepipe with adapter and sealing. If this is not available, a direct connection via pipe thread and sparingly attaching some sealing tape is possible. Please note: The air inlet [21] is made of plastic to protect the center block [18], seal in carefully. Take care that no dirt or particles can intrude into the pump during the connection, as these can accumulate inside the pump and can cause malfunctions. An air filter [22] directly behind the air inlet [21] prevents the entry of bulk particles.

The following regulators should be included in the air supply line (especially if the pump is used for filter press feeding):

- Pressure regulator with maintenance unit/separator for condensed water (no oil supply)  
The pressure regulator is used to adjust the final pressure the press will stop at. Please note: The time required for pressing increases along with the pressure. A higher pressure means a more dry filter cake and higher stress for all materials involved. A general guiding value cannot be given, the correct pressure has to be found out for every single application.
- Air throttle (e.g. needle valve)  
This is helpful to limit the flow rate when starting to fill the press (without limiting the velocity, the pump will start very fast which results in a lower quality of the filter cake and increased wear of the pump). At the choice of the valve a sufficient pass-through capacity of the valve as well as an easy fine tuning has to be taken care of.

Besides, the following elements can be installed in the air supply line:

- Solenoid valve: depending on the automatization; optimally installed before the pressure regulator, as mostly regulated.
- Micro filter: protects the pump from remains of dirt and oil in the compressed air. A micro filter can replace an air maintenance unit.
- Pressure relief valve: prevents irregular regulation of the pump and filter press.

The integrated air control system PERSWING P® is a precision-control that requires oil-free, dry and clean compressed air for optimal function. The quality of the driving air for the pump depends on the operating conditions (e.g. flow rate at the beginning, final pressure of the filter press). For a rough orientation, we recommend to lean against the following quality classes of ISO-DIS-8573-1: solids - class 2, dew point – class 2-3, oil - class 3. . A muffler [20] soiled after short period of operation indicates soiled driving air which can be helped by a micro filter chosen according to the max. air flow. The expansion of pressurized air inside the pump causes a major temperature drop. Eventual icing of the muffler or the whole pump most often results from insufficiently dried driving air in humid surroundings, icing from the outside may occur despite the driving air is dried. If so, a prolonged waste-air-exhaust (ca. 500 mm / 20 inch by pipe or hose) to give room for expansion can be helpful. In applications with a tendency to freezing at the waste air exhaust, good experiences in practice have been achieved by pre-heating the driving air to increase the distance to the dew point of the air. Doing so, it has to be considered that the driving air temperature generally may not exceed 50°C (122°F) to avoid expansion and sticking effects on the air side. This max. air temperature is a well valid when using a compressor producing warm air which is e.g. often true for truck compressors. When installing the pump into boards or cabinets, it has to be ensured that cold air does not get caught behind the muffler. ALMATEC heavy duty pumps do not require any lubrication. It has to be secured, that no oil can enter the pump.



### 3.2. Start-up and operation of the pump

When starting to install the pump, the housing bolts [14] have to be tightened. This has to be done before the pump develops a decent discharge pressure. The bolts [14] should be tightened crosswise and alternately starting with those arranged in the circle of the diaphragm. The aim of this is to work against the effect of housing parts "settling" after manufacture (e.g. during transport) because of varying temperatures.

The housing bolts [14] have to be fixed according to the torque data of the following schedule. At the beginning, the bolts need to be checked regularly and fixed if necessary. It can also be necessary after longer periods of stoppage, at extreme temperature variations, after transport and dismantling the pump. In case of temperature varying between extremes or high temperature difference between the liquid and the surrounding, the housing bolts should be controlled more frequently (interval proposals are available on request). Once the pump is leaking because of insufficient tension of the bolts, it cannot be sealed completely by just tightening the bolts without cleaning the surfaces. The pump has to be opened and the sealing surfaces have to be cleaned carefully. Especially the round sealing groove in the pump housing [1] needs to be cleaned diligently.

Size	AHS 15	AHS 25
Torque values for housing bolts Nm (ft lbs):	8 (5.9)	13 (9.6)

The pressure of the driving air should be limited to the amount required to meet the performance needed. Excessive pressure increases both the air consumption and the wear of the pump. The pump is regulated by tuning the flow rate of the air. For a proper operation at the lower performance range the regulation via a needle valve is recommended. An empty pump has to be driven slowly (e.g. via a needle-valve). The pump starts automatically. Pumps of the AH series are self-priming when dry, thus it is not necessary to fill the suction line of the pump. The suction lift capacity of a liquid-filled pump, however, is much higher. The pump is appropriate for running dry during slow operation. Dry running at high stroke frequency causes premature wear. The pumps can briefly (up to max. one hour) be operated against a closed discharge line. Throttling on the suction side may damage the pump. When the pump operation has been stopped by a closed discharge, the pressure equilibrium of the diaphragms must be ensured. This can be achieved by keeping the pump connected to the air supply pressure; for longer stoppage, the pump must be released from the pressure within the system on both fluid side and air supply side.

Due to the material choice and thickness ALMATEC heavy-duty diaphragm pumps are particularly suitable for abrasive media. Moreover the feeding of filter presses is a possible application field. The ideal combinative effect of ALMATEC AHS pumps and filter presses is illustrated very well by the automatic adaptation to pressure and flow rate. When beginning to fill the empty press, the low discharge pressure results in a high flow velocity for fast filling. Because of the pressure of the press increasing along with the amount of sludge inside, the flow rate of the pump automatically reduces until standstill at final pressure without any regulating or additional security devices. In contrast to a mechanically driven diaphragm pump, the ALMATEC pump stops itself without any further air consumption. This "integrated" automatic regulation permits operating the pump within its capacity without any danger of over-pressure.

### 3.3. Further safety hints



- Installation, operation, and maintenance by qualified staff only.
- Before start-up of the pump anyone should acquaint oneself with the explanations of the chapter troubleshooting (see pages 17-19). Only by this the defect quickly can be realized and eliminated in case of trouble. Problems which cannot be solved or with an unknown reason should be passed on to the manufacturer.
- Before any maintenance and service procedures arising on the pump or on the optional equipment, the complete installation has to be turned off and protected against accidental turn on. This is possible by a lockable emergency stop for the air supply of the pump. Additionally a danger sign against restart should be attached.



- Pressure tests of the plant a pump is included in may only be carried out with the pump disconnected from the pressure on both ports or by using the pressure the pump develops while operating. The load of a pressure in the plant may damage the pump.
- AODD pumps must not be operated with a positive suction pressure.
- Depending on the conditions of operation, the liquid conveyed might escape from the pump through the muffler in case of a diaphragm rupture (in this case muffler has to be replaced). For further safety requirements the optional equipment diaphragm monitoring and barrier chamber system are recommended.
- In case of a diaphragm rupture, it might be possible for the fluid pumped to intrude into the air side of the pump. In very adverse conditions - e.g. pressure within the fluid system during stopped air supply - the fluid might as well find its way into the air supply lines. To protect other devices like pneumatic valves, it is recommended to protect the air supply line accordingly, e.g. via a non-return valve. This would as well avoid polluting the air supply line.
- The state of the muffler has to be inspected regularly, as a blocked muffler can be forced out of the pump. If this happens, damages of properties and/or persons cannot be excluded.
- Pumps of the AH-Series must not be submerged.
- When blowing out the filter press, the pump has to be protected against the pressure by a valve or a slide.
- If the product tends to settle, the pump has to be flushed regularly. For larger solids a filter has to be installed in the suction line.
- In case of delivery of hot liquids the wetted pump must not standstill for a longer time, because it could lead to temporary leaks in the valve area and to a blockade of the air control system.
- The relevant effective security advises have to be respected.
- Pools of liquid which appear in the near outer area of the pump have to be inspected on danger potential, if necessary safety measures are to be taken.
- Chemical and biological reactions in the product chamber of the pump (mixture of different substances) and the freezing of the liquid have to be avoided.
- Before starting to disassemble the pump, take care that the pump has been emptied and rinsed. Both ports piping are to be closed and drained if applicable. Further the pump has to be cut off from any energy on the air and product side. If the pump is being deported from the plant, a reference about the delivered liquid has to be attached.
- Please respect the relevant additional security advices, if the pump has been used for aggressive, dangerous or toxic liquids (e.g. suitable protective equipment according to the safety data sheet of the liquid). In case of a diaphragm rupture, it is possible that residues of the liquid remain behind the diaphragms, in the area of the air control system and at the muffler, despite of several flushing processes. Hence, appropriate safety equipment according to the safety data sheet of the liquid is indispensable.
- Additional advice for handling sensitive Fluids: With correct material choice, all wetted parts inside the pump are made from materials appropriate for your fluid - selected types as well for food contact. A malfunction, however, might result in a contact of the fluid to components that are non-wetted during normal operation (e.g. inside the air section). Therefore, we recommend as usual for pumps, to discard the batch after a malfunction when handling sensitive fluids. Please consider that a conformity for food-contact solely refers to wetted materials themselves, NOT to a "Hygienic Pump Construction"
- Before putting the pump back into operation, the tightness of the pump has to be checked.
- Air-operated diaphragm pumps can lead to bruises when lifting, sinking or assembling them. Appropriate accessories and safety equipments are to be used. Big and heavy modules have to be fixed and secured to lifting gears when transporting/replacing them.
- Especially when deliver critical liquids, wear parts, like diaphragms, should be replaced within a preventive maintenance.
- The use of non-original ALMATEC spare parts and structural changes lead to the lapse of the warranty immediately. When operating such a pump, damages of properties and/or persons cannot be excluded.
- The operation of the pump with nitrogen as driving gas is possible. In closed rooms sufficient ventilation must be provided.
- Possible electrical connections (e.g. when using optional equipment with controllers) may be executed by a qualified person only. The regulations of the respective manufacturers are to be followed.
- At any work arising it has to be made sure that no explosive atmosphere can appear. Appropriate safety equipment is recommended.

- The pump is tested with water before shipment. Water residues inside the pump cannot be precluded. If the liquid, which is wanted to be conveyed, potentially interacts with water, please consult Almatec.
- Procedure for pump return: According to the requirements of our 14001-certification, every unit which is sent to ALMATEC for diagnosis or maintenance reasons has to be accompanied by a filled out decontamination-sheet. Otherwise a processing is not possible. The decontamination-sheet is enclosed to this manual. Please pay attention to the further safety regulations.

### 3.4. Additional temperature hints

The temperature and pressure limitations listed on page 5 are solely based on mechanical temperature limits of the housing material used. Depending on the fluid pumped, the maximum safe operating temperature of the housing material can be reduced significantly.

A general aspect of lower temperatures is, that below 0°C (32°F) cold-brittling of the elastomers used within the pumps can result in accelerated wear. Regarding the housing materials, please note that PE - other than PP - keeps its mechanical strengths at low temperatures. ALMATEC pumps can therefore be operated safely as well within low-temperature installations: However, with liquids below 0°C (32°F) accelerated wear of internal parts has to be accepted. Moreover, freezing, bogging or crystallisation of the fluid pumped must be avoided, especially within the pump.

Please consider, that viscosity and specific gravity of most fluids change with temperature (most often increasing at lower temperature). Depending on the application, this fact may not only result in a reduced flow rate, the pump may even be unable to prime the thicker and/or “heavier” fluid any more.

In case of varying application temperatures, the housing bolt tension has to be controlled very thoroughly, as variations like these can change the effective tension of the housing bolts via the different thermal expansion characteristics of single.

### 3.5. Hints for using the AHS pump with external pressure booster for filter press feeding

Pumps of the AHS series are approved for a maximum drive pressure of 15 bar (218 psig). If an external pressure booster is used for achieving this high pressure for filter press feeding please consider the following:

- By continual operation of an air pressure booster it has to be considered that the amplifier is subject to wear and consumes air.
- If such a continuous operation is planned, the nominal output may lead to a bottleneck for the operation of the pump, that the pump does not reach its maximum capacity. In this case the filling of the widely empty filter press is significantly slowed.

Therefore we recommend the following operation:

- Start the filling of the filter press by-passing the booster with normal driving pressure of e.g. 7 bar (100 psig). The pump can quickly work and the press will be prefilled.
- Once the pressure in the press corresponds to the air pressure, the pump stops automatically without any damage.
- By starting the air supply through the booster after the filter press is already prefilled, the load of the booster and pump will be limited. Primarily, due to the now slow working pump a smaller booster can be used than it would be the case by continuous use of the booster.
- To avoid the manual intervention of switching the air supply path, we recommend connecting a pressure sensor with appropriate interconnection in the system control.

Additional remarks:

- AHS pumps coming with special equipment code BO1 or BO2 (external booster) have a direct air connection between pump and booster. This can limit the capacity of the pump.
- In case of a diaphragm rupture liquid may find its way into the air area and also into the booster and possibly leads to contaminations or damages.

**3.6. Providing spare parts**

We recommend having spare part kits S on stock. These include the relevant spare parts for your pump. Only use original ALMATEC spare parts for repairs and / or preventive maintenance work. If this is not observed, the CE and ATEX markings, the declaration of conformity (s) and the guarantee claim for the pump will expire. All work on the pump may only be carried out with the appropriate tools and by trained specialist personnel.

**4. DISASSEMBLY OF THE ELEMENTS OF CONSTRUCTIONS**

When dismantling a pump the mentioned procedures and safety notes on the pages 8-12 have to be considered generally.

ALMATEC AHS pumps are often used to transport sludge, so that deposits and incrustations inside the pump can complicate the disassembly. It has been proved to be useful to soak the components before dismantling in water (if compatible with rinsing agent) to facilitate the separation after a certain waiting period.

The general design of the ALMATEC AHS pumps is simple. Every pump comes along with a mounting tool for the air-valve system [25]. Take out the muffler [23] installed onto the center block [18] before dismantling the pump to protect it against damages during the disassembly.

	Required tools		AHS 15	AHS 25
Item	Description	Tool	Tool size	Tool size
10	Lock pin, discharge valve	Screwdriver	Please check yourself	
13	Plug	Open-end spanner	30 mm	36 mm
14	Housing bolt	Open-end spanner/ring wrench/socket wrench	10 mm	13 mm
21	Air inlet	Open-end spanner	19 mm	27 mm
25	PERSWING P® air control system	ALMATEC Tool + ring wrench	1 15 901 54 24 mm	

**4.1. Pump housings and manifolds**

At first, loosen those bolts [14] at the top and at the bottom using a wrench and take them out together with the tension plates [3]. After that, unscrew the remaining housing bolts [14], remove the tension discs [2] and draw the housing bolts [14] out to the left until they are left of the right hand side diaphragm [16]. Now, the right pump housing [1] can be taken away (if necessary carefully help it move with a rubber hammer). Draw out both manifolds [4] and remove the O-rings [5,6].

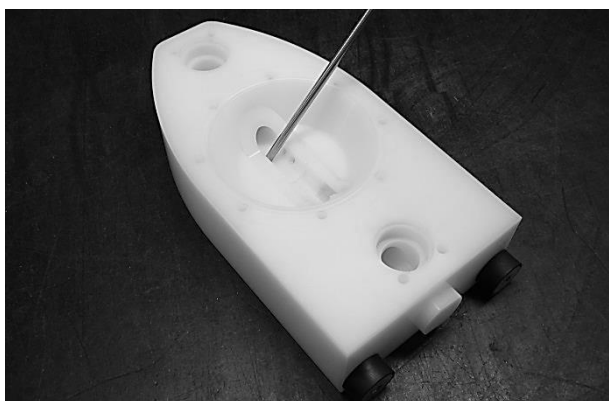


Image 1



Image 2

## 4.2. Suction and discharge valves

Lay down the pump housing [1] on its outer surface. Loosen lock pin discharge valve [10] and remove. Turn the discharge valve [9] along its longitudinal axis by 180° using a suitable round bar (Image 1). After ca. 70° change the bar to the other side of the discharge valve [9] (Image 2) and keep on turning the remaining 110°. Take care not to damage the sealing surface for the diaphragm (V-groove) during this. Draw the discharge valve [9] downwards and take it out (Image 3). Withdraw O-Ring, valve [11]. The discharge valve ball [17] can be taken out easily now. The valve stop [12] can be shoved downwards to take it out (Image 4).

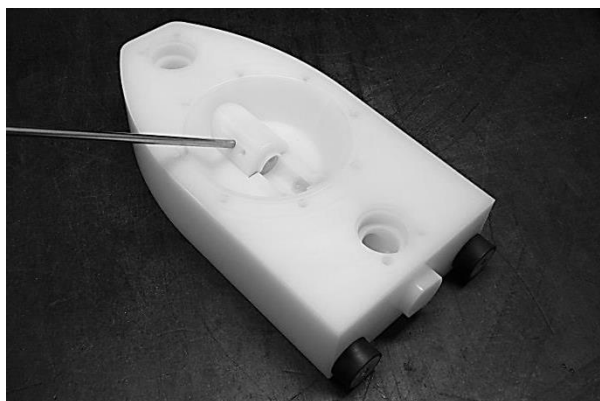


Image 3



Image 4

Unscrew the plug [13] out of the pump housing [1]. Use a suitable round bar to press out the suction valve [7] from outside to inwards through the bore of the plug [13]. Take this as well as the suction valve ball [17] and the valve seat [8] out. Draw of O-ring, valves [11].

## 4.3. Diaphragms

Screw one diaphragm [16] counterclockwise off the shaft [19]. Pull the other diaphragm [16] together with the shaft [19] out of the center block [18]. Screw the set screws shaft [24] of the diaphragms [16].

## 4.4. Center block

Lay the center block [19] plainly onto a soft base (do not damage the sealing edges!).

### 4.4.1. Shaft piston rings

Remove shaft piston rings [20] from their grooves carefully (do not damage the edges in the center housing) A re-assembly of the same piston rings is impossible; they have to be replaced. Remove O-rings [20] from the groove.

### 4.4.2. Air control system *PERSWING P*<sup>®</sup>

Screw off both end caps of the *PERSWING P*<sup>®</sup> air control system [25] using the plastic mounting tool delivered with the pump. Take out main and pilot piston. Press out the air-valve housing with the mounting tool turned around.

#### 4.4.3. Air filter

To take out the air filter [22] the air inlet [21] has to be screwed off first, afterwards the filter [22] can be unscrewed easily with a big screw driver.

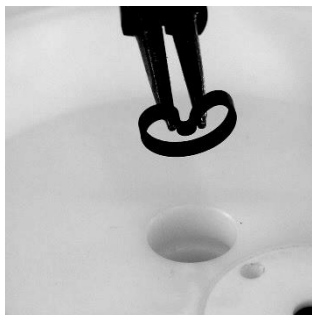
### 5. ASSEMBLY OF THE ELEMENTS OF CONSTRUCTION

#### 5.1. Center block

##### 5.1.1. Air control system *PERSWING P*<sup>®</sup>

To install the air control system *PERSWING P*<sup>®</sup> [25], first screw in one end cap flushly into the center block [18]. Insert one of the six O-rings, air-valve housing [26] into the end cap from the inside. Moisten the four O-rings [26] of the air-valve housing with a bit of water and push the housing into the center block [18] using the mounting tool. Take care that it slips in softly. Do never insert the housing violently with a hammer. In case the housing cocks or hardly gets in, take it out again completely and start again. Insert the main piston and the pilot piston. Lay the sixth O-Ring [26] on the edge of the air-valve housing and screw in the second end cap.

##### 5.1.2. Shaft piston rings



The O-Rings located underneath the piston rings [20] have to be installed first. A re-assembly of the used piston rings is impossible; they have to be replaced! To assemble piston rings [20], carefully shape them like kidneys with locking ring pliers and insert the rings into the grooves; completely press the rings into the grooves smoothly using a clean housing bolt [13]. Insert the shaft bushing, long [39] on side of the center block where the big O-ring dual stage bushing [38] is located.

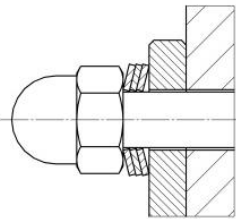
#### 5.2. Diaphragms

Screw in set screws, shaft [24] into the diaphragms [16] and tighten them. Fix one diaphragm [16] with set screw [24] onto into the shaft [19], shove it into the center block [18] and fix the position with the housing bolts [13]. Fit the second diaphragm to the other end of the shaft and push the housing bolts [13] carefully (if necessary, rotate the bolt smoothly while pushing) through the bore holes of the diaphragm without damaging the diaphragm and its surfaces. The sealing surfaces of the diaphragms [16] and the pump housings [1] have to be absolutely clean and undamaged; mere small scratches can cause leaking.

#### 5.3. Suction and discharge valves

The inner parts of the pump housings [1] have to be re-assembled exactly vice versa to the way described for the disassembly. Ensure that the suction [7] and discharge valves [9] are pushed into their extreme position and that the bores in the pump housings [1] (at the bottom of the liquid camber) and the suction valves [7] fit to each other. Make sure that the hole in the pump housing [1] and the thread of the locking pin discharge valve [10] are aligned, then install locking pin discharge valve [10] in the discharge valve [9] and screw it.

#### 5.4. Housing bolts with spring washers



When assembly the housing bolts [14] pay attention to the correct arrangement of the spring washers. The pump sizes AHS 15 / AHS 25 have three spring washers on both housing bolt sides. The arrangement represented in the drawings makes an improvement of power and way possible. Already used spring washers may not be installed again.

#### 5.5. Pump housings and manifolds

All the sealing elements [5,6] of the manifolds [4] should always be replaced, moisturizing the rings helps to ease the assembly. Draw the inner O-ring [6] onto the manifold [4] and press the outer O-ring [5] into the pump housing [1]. Set the manifolds [4] on the plainly lying pump housing [1] slightly rotating them. Put the central unit mounted before [center block, diaphragms, housing bolts] and the pump housing [1] lying on its side with the manifolds [4] standing upwards together.

Mount the second pump housing [1]. Now, both the upper and lower pair of housing bolts [14] can be inserted. Make sure that the position of the manifolds [4] matches the installation situation, to avoid later readjustment. Install tension discs [2] and tension plates [3]. Attach nuts and washers to the ends of the bolts and fix the housing bolts [14] crosswise evenly according to the given torque values until the pump housings [1] are situated on the center block [18]. Any further tightening of the bolts does not improve sealing but can deform the housing!

Finally screw the muffler [23] into the center block [18]. The pump can be operated now.

### 6. TESTING ADVISED

#### 6.1. Air control system

The correct function of the air distribution can easily be checked for an assembled center unit consisting of a center block [18] completely equipped with all inner parts. Attach the air supply. Move the pilot piston back and forth while the bores where the air leaves the center block [18] are blocked. Now, the switching and the movement of the main piston have to be audible.

#### 6.2. Correct function and sealing

The fully assembled ALMATEC AHS pump has to be equipped with an air supply as well as temporary suction and discharge lines both leading to a water containment. The dry suction capacity can be checked with a vacuum gauge by closing the suction line carefully complete. Slowly closing the discharge has to cause standstill of the pump. The pressure in the discharge line has to correspond to the air pressure. The pump switches to the other product chamber by scarcely opening the discharge for a short time. No liquid may escape from the pump in both positions. After finishing the test, the air supply has to be closed at first, after that the discharge line has to be opened slowly to let the pump empty itself while the suction line is opened.

7. TROUBLESHOOTING

Malfunction	Possible Reason	Solutions/Remarks
pump does not operate	air supply line blocked/closed muffler blocked working chambers blocked air control system defective discharge line blocked/closed	open air supply clean/replace muffler remove blockage replace air valve system clean/open line
pump operates unsteadily	piston rings worn air control system worn diaphragm rupture air control system soiled check valve blocked icing	replace piston rings replace air control system replace diaphragm, clean pump clean/replace air control system cleaning, removal of bulk particles improve air processing
air within liquid	suction line leaky container with liquid empty diaphragm rupture cavitation	seal suction line fill/new container replace diaphragm adapt suction lift, possibly install suction pressurised air chamber
insufficient discharge pressure	insufficient pressure/amount of driving air air supply line leaky air control system leaky check valve worn more air consuming components  <i>Operating with booster: booster not connected booster defective/worn booster small dimensioned</i>	increase air supply  check/repair air supply replace air control system check/replace check valve increase pressure/amount of air  <i>connect booster repair booster use other booster</i>
output decreases	air control system soiled icing air pressure drop suction line/inlet strainer soiled discharge line/outlet strainer soiled muffler blocked check valve worn change in viscosity more air consuming components  <i>Operating with booster: booster defective/worn</i>	clean/replace air control system improve air processing: dryer/filter ensure sufficient supply of air cleaning cleaning replace the muffler replace valve change back/adjust pump increase pressure/amount of air  <i>repair booster</i>



Malfunction	Possible Reason	Solutions/Remarks
pump stops itself	icing of the air control system  air pressure too low air pressure drop discharge line blocked air filter blocked valve closed air control system defective wear/leaking of air control system diaphragm rupture check valve blocked/worn  <i>Operating with booster:                      booster defective/worn                      booster small dimensioned</i>	improve air processing: dryer/heater etc. increase air pressure ensure sufficient air supply clean discharge line clean air filter open valve replace air control system replace air control system replace diaphragm, clean pump clean/replace check valve  <i>repair booster                      use other booster</i>
pumps operates, however suction capacity insufficient	pump operates too fast operation beyond physical limits cavitation operation beyond pump capacity  air cushion within suction/discharge line dry suction against discharge pressure valve filter within suction line closed valve filter within discharge line closed container with liquid empty vacuum inside the container wear of the check valves suction line leaky suction line blocked air pressure cushion at discharge check valve blocked	start more slowly adjust installation check, cool down adjust installation resp. install bigger pump bleed the line  wet pump, start without pressure  open valve/clean filter open valve/clean filter  fill/new container bleed container replace valves seal suction line clean suction line bleed discharge line clean/replace valve
insufficient suction capacity after pump repair  <i>pump with booster does not work after repair</i>	connections tighten incompletely check valves inserted falsely  <i>booster clogged/damaged</i>	tighten/seal connections correct positioning of check valves  <i>clean/repair booster</i>
diaphragm overstrained	pressure within the plant/system  inadmissible vacuum icing	ensure that pressure is only developed by the pump itself, check plant/valves, replace diaphragms check suction line, open valve improve air processing
leaking between housing parts	housing bolts loosened O-rings sleeve damaged diaphragms attacked chemically diaphragms overstrained tension installation/pipework	tighten bolts, check pump replace O-rings replace diaphragms replace diaphragms loosen, eliminate tension, use of a compensator

Malfunction	Possible Reason	Solutions/Remarks
muffler grey	driving air too humid, icing	improve quality of driving air
muffler black	soiled, oily air	improve quality of driving air, install sensitive filter in suction line
pump is connected to air but does not operate	air control system blocked bulk particles/dirt  chemical influence (O-rings swollen)  valve closed in discharge line  <i>Operating with booster:                      booster defective/worn</i>	clean/replace air control system clean pump, replace necessary parts, improve air quality check, replace damaged parts  open valve  <i>repair booster</i>
liquid leaves the pump via the muffler	diaphragm rupture	replace diaphragms, clean pump

## 8. SPARE PART LIST

Pump sizes				AHS 15	AHS 25
Item	Pc.	Description	Material	Part number	Part number
1	2	Pump housing	PE	3 15 510 52	3 25 510 52
2	2	<i>Tension disc</i>	1.4301	3 15 508 22	3 25 508 22
3	4	<i>Tension plate</i>	1.4301	3 15 608 22	3 25 608 22
4	2	Suction/discharge port	PE	3 15 611 52 - FD	3 25 611 52 - FD
5	4	<i>O-Ring, ports, outside</i>	EPDM	9 37 528 72	9 42 540 72
6	4	O-Ring, ports, inside (code EEE/ENN)	EPDM	9 33 526 72	9 33 526 72
		O-Ring, ports, inside (code ETT)	FEP/FKM	9 33 553 59	9 33 553 59
7	2	Suction valve	PE	3 15 013 52	3 25 013 52
8	2	Suction valve seat	PE	3 15 014 52	3 25 014 52
9	2	Discharge valve	PE	3 15 515 52	3 25 515 52
10	2	Lock pin, discharge valve	PETP	3 15 519 84	3 15 519 84
11	4	<i>O-ring, valves (code EEE/ENN)</i>	EPDM	9 37 603 72	9 48 604 72
		<i>O-ring, valves (code ETT)</i>	PTFE	9 37 603 60	9 48 604 60
12	2	Ball retainer	PE	3 15 016 52	3 25 016 52
13	2	Plug	PE	1 25 017 52	3 25 017 52
14	12	<i>Housing bolt</i>	1.4301	3 15 620 22	3 25 620 22
15	4	<i>Shock absorbers</i>	NR	1 15 322 85	1 15 322 85
16	2	Heavy duty diaphragm (code EEE)	EPDM	3 15 031 72	3 25 031 72
		Heavy duty diaphragm (code ENN)	NBR	3 15 031 71	3 25 031 71
		Heavy duty diaphragm (code ETT)	PTFE	3 15 031 67	3 25 031 67
17	4	Valve ball (code EEE)	EPDM	1 25 032 72	3 25 032 72
		Valve ball (code ENN)	NBR	1 25 032 71	3 25 032 71
		Valve ball (code ETT)	PTFE	1 25 032 60	3 25 032 60
18	1	<i>Center block</i>	PA	3 15 740 53	3 25 740 53
19	1	<i>Shaft</i>	1.4301	3 15 630 22	3 25 630 22
20	3	<i>Shaft piston ring, cpl.</i>	PTFE	1 15 041 64	1 40 041 64
21	1	<i>Air inlet</i>	PETP	1 15 047 84	1 40 047 84
22	1	<i>Air filter</i>	PE	1 15 043 51	1 40 043 51
23	1	<i>Muffler</i>	PE	1 15 244 51	1 40 244 51
24	2	<i>Set screw, shaft</i>	1.4305	9 10 220 22	9 12 221 22
25	1	<i>PERSWING P® air control system, cpl.</i>	PETP	3 15 601 84	3 25 601 84
26*	6	<i>O-ring, air valve housing</i>	NBR	9 35 504 71	9 46 515 71

\* included in item 25

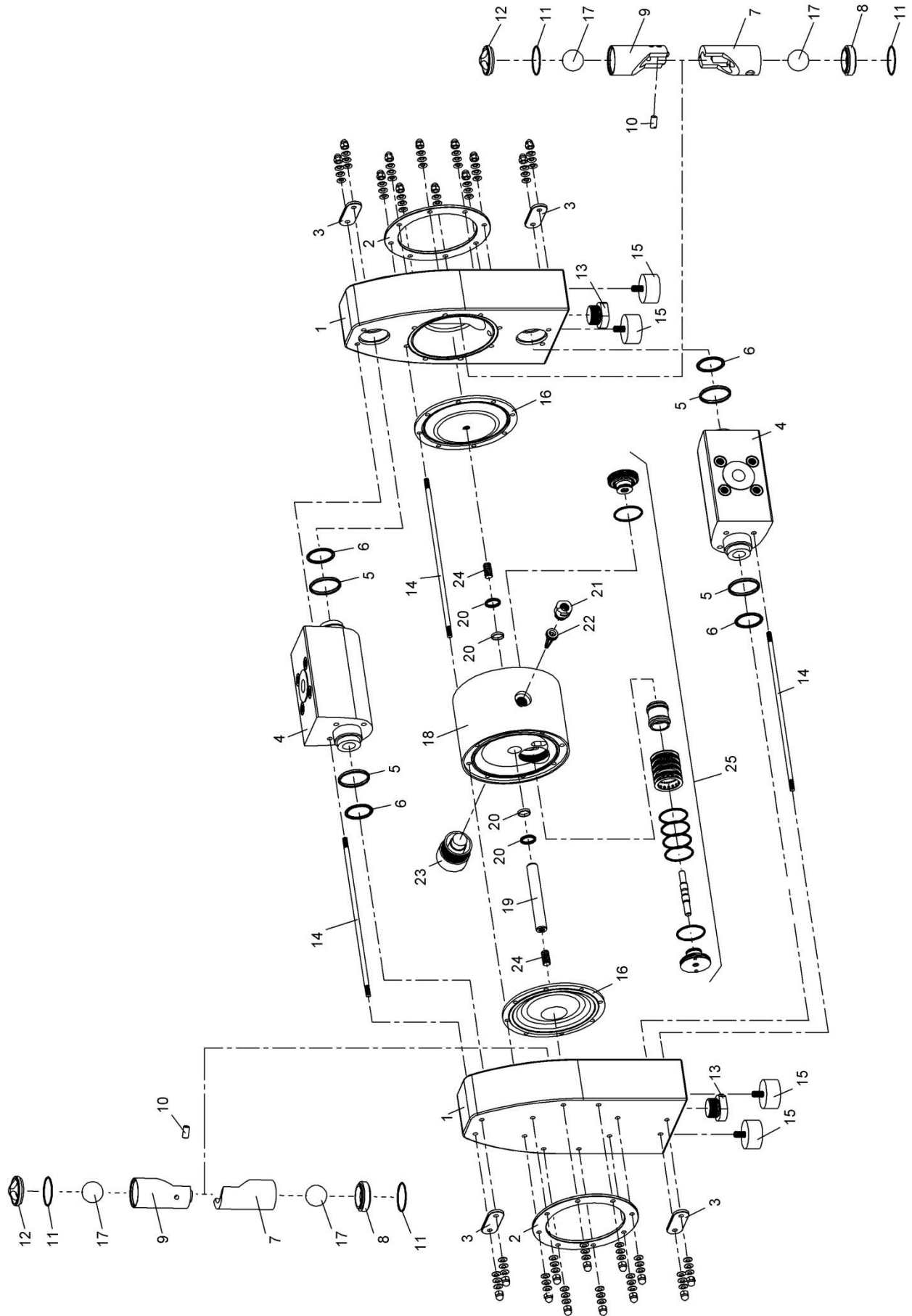
*All parts in italics are not product wetted.*

Please see page 4 for explanation of the pump code.

When ordering please state the serial number of the pump.

For spare part lists for special equipment please see page 22 and the following ones.

9. EXPLODED VIEW



## 10. OPTIONAL EQUIPMENTS

ALMATEC AHS pumps are available with various optional equipments. Whether the pump is equipped with options can be derived from the pump code.

### 10.1. External air pressure booster (optional equipment code BO)

For amplifying the drive air pressure, the pump can be equipped with an air pressure booster. This increases the pressure of the air in the ratio 2: 1. The air pressure booster is mounted on the side of the pump and connected directly to the air inlet of the pump. Please observe the instructions for operating the pump with this option under chapter 3.5 of these instructions and, in general, the manual of the booster manufacturer.

#### 10.1.1. Code BO 1

The booster used in the option code B01 provides a nominal output of 0.23 Nm<sup>3</sup>/min and is by this limitation of the capacity of the pump especially for flows at the bottom of the pump curve. The amplifier has a connection cross section of 1/4 "and a connector for an air hose with 10 mm outer diameter.

#### 10.1.2. Code BO 2

The booster used in the option code B02 provides a nominal output of 1.0 m<sup>3</sup>/min and thus a significantly increased pump capacity, but still provides a capacity restriction, at least in terms of size AHS 25. The amplifier has a connection cross section of 3/8 "and a connector for an air hose with 10 mm outer diameter.

### 10.2. Stroke counting (optional equipment code C)

#### 10.2.1. Code C 2 / C 3 – capacitive stroke detection

A sensor [50] is installed in the center block [18] of the pump to count the strokes. The diaphragm movement is scanned without contact by this sensor: a safe form of monitoring totally independent of external influences and the pump's mode of operation. The issued sensor pulses can be output to existing detectors or to a stroke counter (can also be supplied). When the preset value is reached, the stroke counter outputs a signal which can then be processed further, for instance in order to shut down the pump via a solenoid valve.

The stroke counting system is available in two variations:

- C 2 Stroke sensor (Namur), also for explosion-proof zone
- C 3 Stroke counting system complete with sensor and stroke counter

In case only the sensor is included (code C 2), it has to be connected to an existing controller with Namur inlet. The wiring diagram and technical data can be found on the electric units themselves. For further details, please refer to the data delivered by the manufacturers of the components. The controllers have to be installed in a suitable cabinet.

#### 10.2.2. Code C 9 / C 10 – pneumatical stroke detection

Differently from the optional equipment codes C 2 - C 3, the strokes of the pump are registered pneumatically on the codes C 9 / C 10. The pressure switch registers the changes in pressure within the air chamber behind one of the diaphragms and it converts the pneumatic impulse into an electrical signal.

The pneumatic stroke counting system is available in two types:

- C 9 consist of:
  - pressure switch, cpl. mounted, 1 – 10 bar
  - socket with cable 5 m
  - adaptor elbow NPT ¼ (or adaptor straight for pump sizes AHS 15)
  - hose DN 4/6, 2,5 m
- C 10 consist of:
  - as C 9 and a stroke counter

For assembly screw the adaptor elbow (or adaptor straight for pump size AHS 15) into the additional air connection of the pump (it is possible that the adaptor is already installed). The position of the air inlet of the pneumatic stroke counting is above the air inlet of the pump (do not mistake it). Link up the adaptor and the pressure switch with the hose. Connect the socket to the electrical connection plug of the pressure switch and the cable to existing registering devices (code C 9) resp. to the enclosed stroke counter (code 10). Technical data, connection schemes and further details can be found in the technical documentation delivered by the manufacturers of the pressure switch and the stroke counter.

The pneumatic stroke counting system requires a minimum air pressure of 1.5 bar (22 psig) for optimal function!

## 10.2. Diaphragm monitoring (optional equipment code D)



Although ALMATEC diaphragms with integrated metal core are designed for an optimum service life, the diaphragm remains a wear part. If it breaks, liquid can leak into the center housing and possibly emerge through the muffler. This can be prevented simply and effectively with the ALMATEC diaphragm monitoring.

A capacitive diaphragm sensor is mounted in the muffler [23] of the pump, which registers any liquid approaching the sensor, no matter whether the liquid is conductive or not. Hence, a fast reaction to a damage of a diaphragm becomes possible. However, it has to be considered, that the diaphragm monitoring possibly cannot prevent that liquid can leave the pump via the muffler. In case of humid surrounding air a false alert may occur despite operating the pump with dried compressed air.

The diaphragm monitoring is available in two variations:

- D 1 Diaphragm sensor (Namur), also for explosion proof area
- D 3 Diaphragm monitoring complete with sensor and controller

The diaphragm sensor can either be connected to an existing controller with Namur inlet (code D 1) or to the controller included (code D 3). The wiring diagram and technical data can be found on the controller itself. For further details, please refer to the data delivered by the manufacturers of the components. The controllers have to be installed in a suitable cabinet.

## 10.3. ANSI flange connections (optional equipment code W)

As standard the connections in the suction and discharge ports [4] are prepared for a DIN flange connection (PN 16), but it is possible to order a preparation for ANSI flange connection (300 lbs) also.

### 10.4. Spare part list optional equipments

Pump size					AHS 15	AHS 25
Code	Item	Pc.	Description	Material	Part number	Part number
B01	-	1	Booster, 230 l/min, 1/4" Connection kit for booster and pump	diverse diverse	B 10 230 99 ASB01	B 10 230 99 ASB01
B02	-	1	Booster, 1000 l/min, 3/8" Connection kit for booster and pump	diverse diverse	B 21 000 99 ASB02	B 21 000 99 ASB02
C 2	16 50	1 1	Center block for sensor Stroke sensor, Namur	PA diverse	3 15 840 53 1 00 072 99	3 25 840 53 1 00 072 99
C 3	- -	1 1	as C 2, but additional: Clamp amplifier Stroke counter	diverse diverse	1 00 171 99 1 00 071 99	1 00 171 99 1 00 071 99
C 9	16 - - - - -	1 1 1 1 1 1	Center block with additional air connection R 1/4" Adaptor straight Adaptor elbow Hose Pressure switch Socket with cable	PA PP PP PE diverse diverse	3 15 940 53 1 00 877 51 - 1 00 876 51 1 00 972 99 1 00 973 99	3 25 940 53 - 1 00 875 51 1 00 876 51 1 00 972 99 1 00 973 99
C 10	-	1	as C 9, but additional: Stroke counter	diverse	1 00 071 99	1 00 071 99
D 1	51	1	Diaphragm sensor, Namur	diverse	1 00 773 99	1 00 773 99
D 3	51 -	1 1	Diaphragm sensor Controller	diverse diverse	1 00 773 99 1 00 370 99	1 00 773 99 1 00 370 99
W	4	2	ANSI suction/discharge ports	PE	3 15 811 52 - FA	3 25 811 52 - FA



Subject to change without notice, 2023/01

**PSG Germany GmbH**  
**Hochstraße 150-152 · 47228 Duisburg · Germany**  
**Telephone +49 (0) 20 65 / 89 2 05 - 0 · Telefax +49 (0) 20 65 / 89 2 05 - 40**  
**<http://www.psgdover.com> · e-mail: [psg-germany@psgdover.com](mailto:psg-germany@psgdover.com)**