

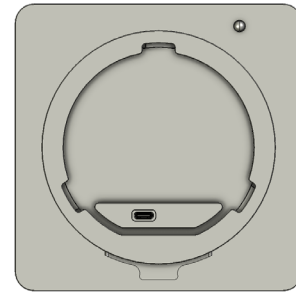
BioProTT™ FlowSU System



MULTI-USE FLOW METER

FEATURES

- One multi-use flow meter for all available sensor sizes
- Power over Ethernet (PoE)
- Stainless steel
- Easy sensor exchange through innovative locking mechanism



TECHNICAL SPECIFICATIONS

Dimensions (H x W x D) and Weight	135 x 135 x 45 mm ± 5 mm; approx. 1320 g
Housing Material	stainless steel (316L; material no. 1.4404 (X2CrNiMo17-12- 2))
Surface Roughness	Rz = 10
Powering and Data Transfer to Host System	PoE (IEEE 802.3af; voltage range 36 V - 57 V)
Interface	Modbus TCP (RJ-45 connector)
Connection to Sensor	female USB-C connector
Mounting	with four screws of the type M5 x 12
Compatibility	single-use BioProTT™ FlowSU Sensor
IP Class	IP 20 in unmated and/or dismantled condition IP 65 (=UL 50E Type 2) in mated and/or mounted condition
Expected Product Life	5 years
Cleaning and Disinfection	using alcohol-based surface cleaners

ACCURACY

Sensor Size	maximum deviation at flow rates below Qmin	accuracy between Qmin and Qmax
1/4"*	20 ml/min	2 %
3/8"*	25 ml/min	2 %
1/2"	30 ml/min	2 %
3/4"*	80 ml/min	2 %
1"*	120 ml/min	2 %

Please note: The specified accuracies were determined under the following conditions:

- medium: distilled water with sodium chloride (salinity between 0.8 ppt and 1.4 ppt) and fully developed flow profile
- straight inlet section: 15 x inner diameter of sensor

Please also note:

- The accuracy is specified within the defined flow measurement range. The flow measurement range is limited by the Qmin and the Qmax.
- The installation position of the BioProTT™ FlowSU System in regard to the positioning of pumps and valves within the circuit impacts the measurement and must be taken into account when it comes to the accuracy of the BioProTT™ FlowSU System.

* Will be available soon. ** In combination with appropriate tubes.

AMBIENT CONDITIONS DURING TRANSPORT, STORAGE, AND OPERATION

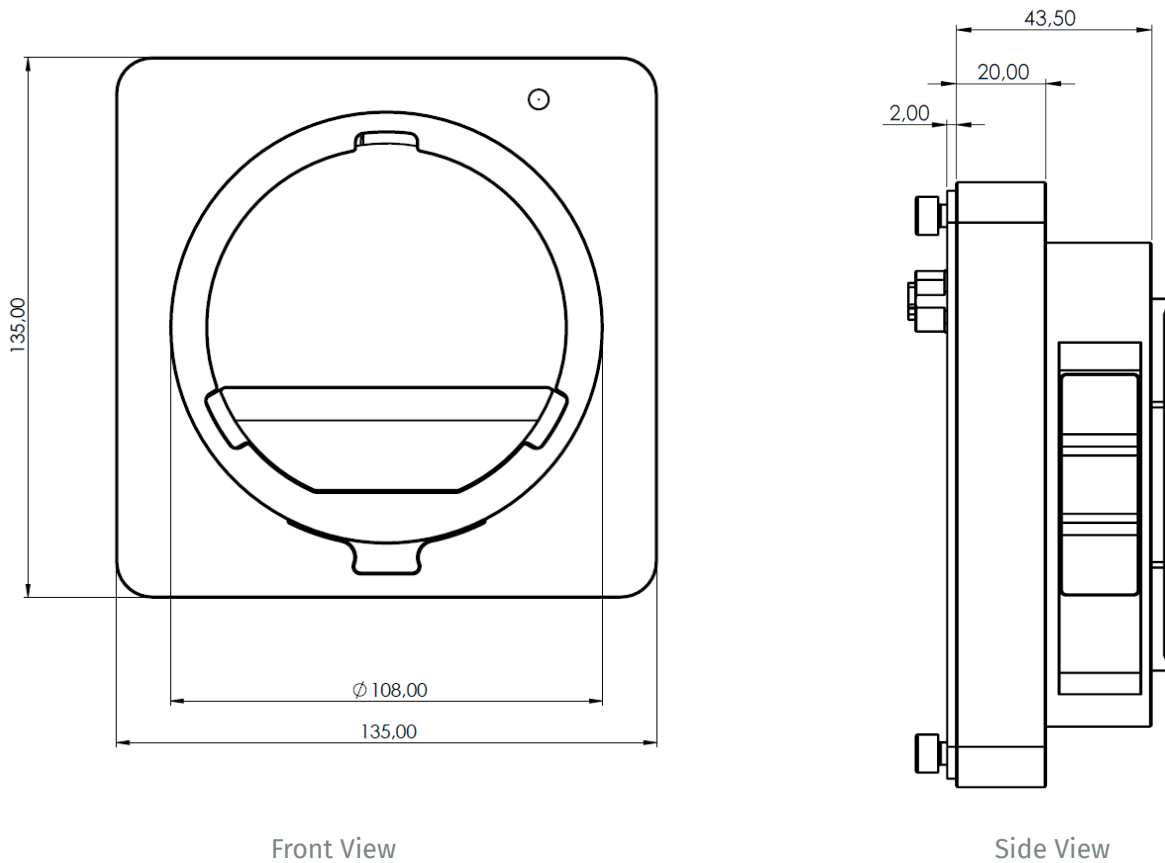
Transport and Storage

Atmospheric Pressure	70 kPa to 106 kPa
Temperature Range Transport	-20° C to 55° C (-4° F to 131° F)
Temperature Range Storage	-20° C to 45° C (-4° F to 113° F)
Relative Humidity	10 % to 96 % (non-condensing)

Operation

Atmospheric Pressure	70 kPa to 106 kPa
Operating Altitude	up to 2000 m (6600 feet)
Temperature Range	10° C to 40° C (50° F to 104° F)
Relative Humidity	10 % to 96 % (non-condensing)

TECHNICAL DRAWING



Front View

Side View