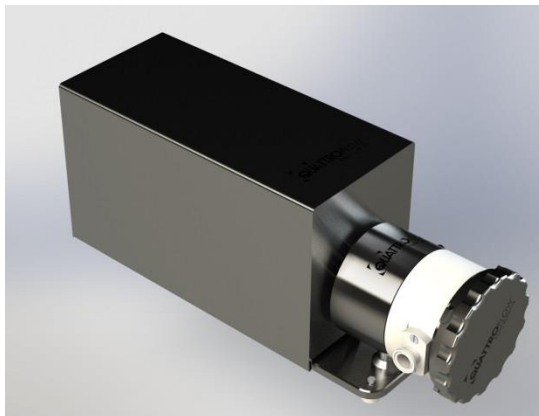


# Appendix to the Operating and Installation Instructions QF1200SU

## EZ-Set



Please read this appendix and the pump manual carefully before start-up of the pump and take care of an appropriate instruction of the operating staff.

**Attention!**  
**Please regard the warning and safety advices!**

Original Instruction

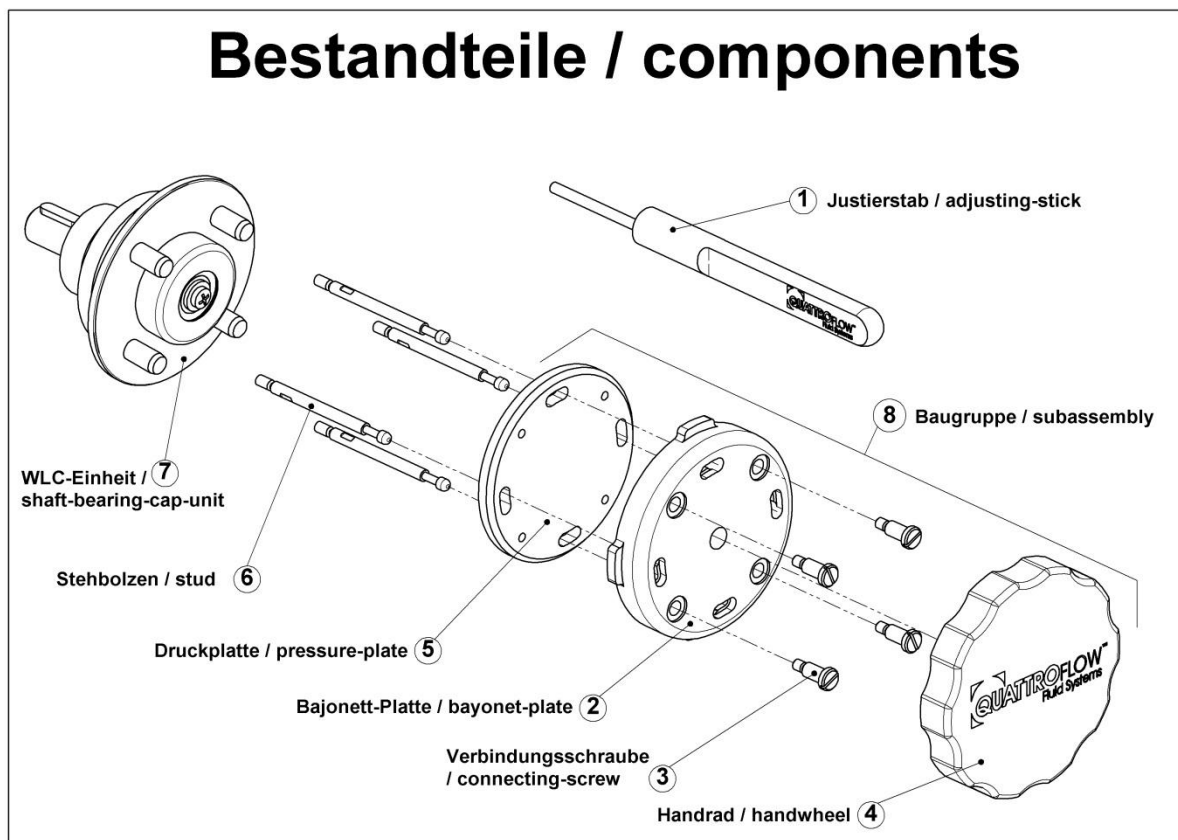


## Contents

<b>1. General remarks</b> .....	3
1.1. Overview of the components .....	3
1.2. Technical advice media temperature .....	3
<b>2. Disassembly</b> .....	4
2.1. Unscrewing the hand wheel.....	4
2.2. Loosen the bayonet-plate .....	4
2.3. Dismounting the subassembly .....	5
2.4. Dismounting the pump chamber .....	5
<b>3. Assembly</b> .....	6
3.1. Unscrewing the locking screw.....	6
3.2. Alignment of the shaft-bearing-cap-unit .....	6
3.3. Mounting the pump chamber .....	7
3.4. Fasten the locking-screw .....	7
3.5. Mounting the subassembly .....	8
3.6. Fasten the bayonet-plate .....	8
3.7. Fasten the handwheel.....	9
<b>4. Retrofit a pump to EZ-Set</b> .....	10
4.1. Replacing the shaft-bearing-cap-unit .....	10
4.2. Fasten the studs .....	10

## 1. General remarks

### 1.1. Overview of the components



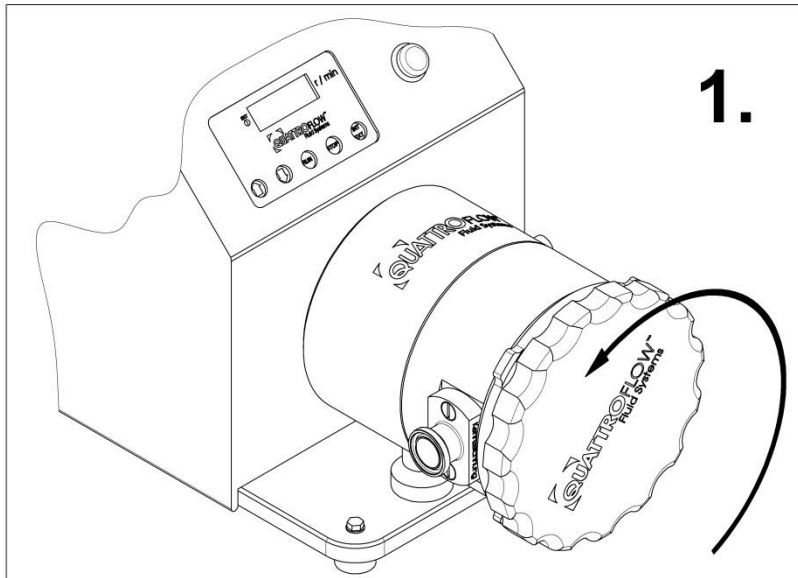
### 1.2. Technical advice media temperature



When using the EZ-Set pressure plate, an immediate temperature shift of the pumped medium  $\Delta T > 15K$  must be excluded. In extreme cases, this could result in leakages.

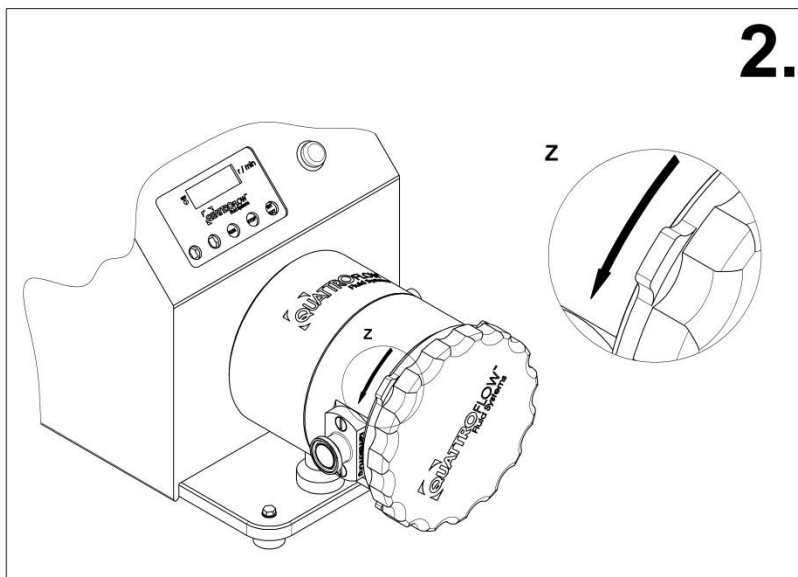
## 2. Disassembly

### 2.1. Unscrewing the hand wheel



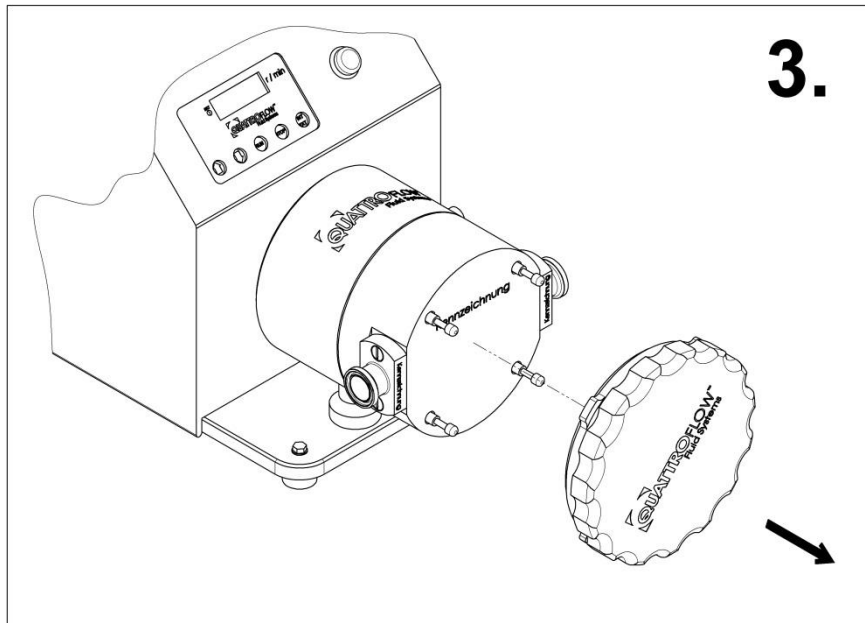
Unscrew the hand wheel (item 4) in rotational direction counter-clock wisely. 2-3 cycles are enough. It is not necessary to screw off the hand wheel completely.

### 2.2. Loosen the bayonet-plate



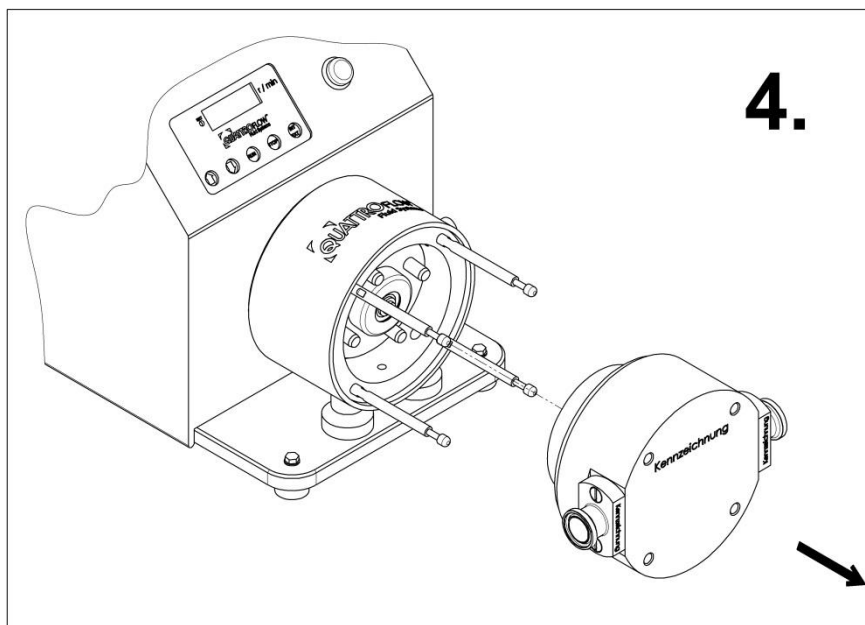
Loosen the bayonet-plate (item 2) in rotational direction counter-clock wisely. The bayonet-closure snaps out after about 20° rotation-angle.

### 2.3. Dismounting the subassembly



Pull off the whole subassembly (item 8) to the front side.

### 2.4. Dismounting the pump chamber

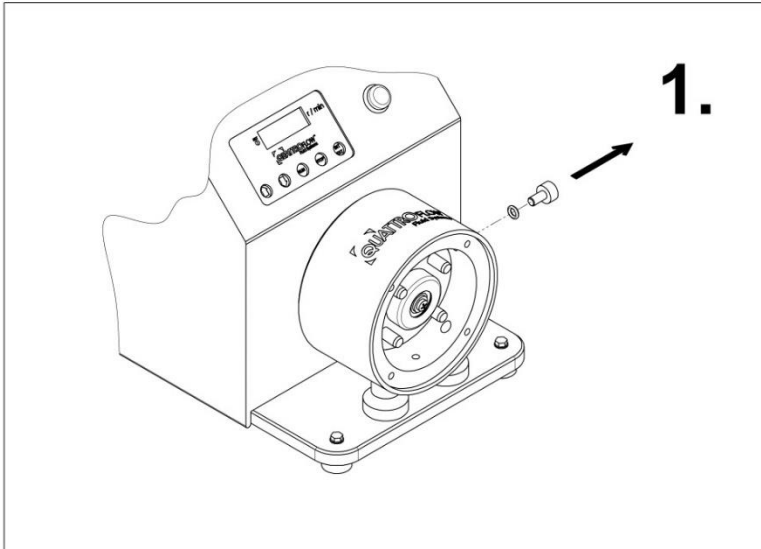


Pull the pump chamber off the studs (item 6).

### 3. Assembly

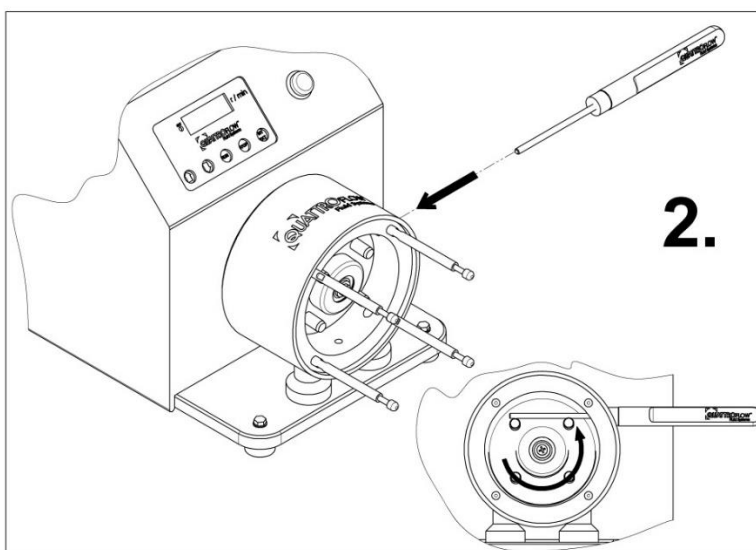
The use of the adjusting stick (item 1) and thus the steps 3.1./3.2./3.4. are not absolutely necessary, but facilitate the assembly of the pump chamber to fix the position of the cap of the shaft-bearing-cap-unit.

#### 3.1. Unscrewing the locking screw



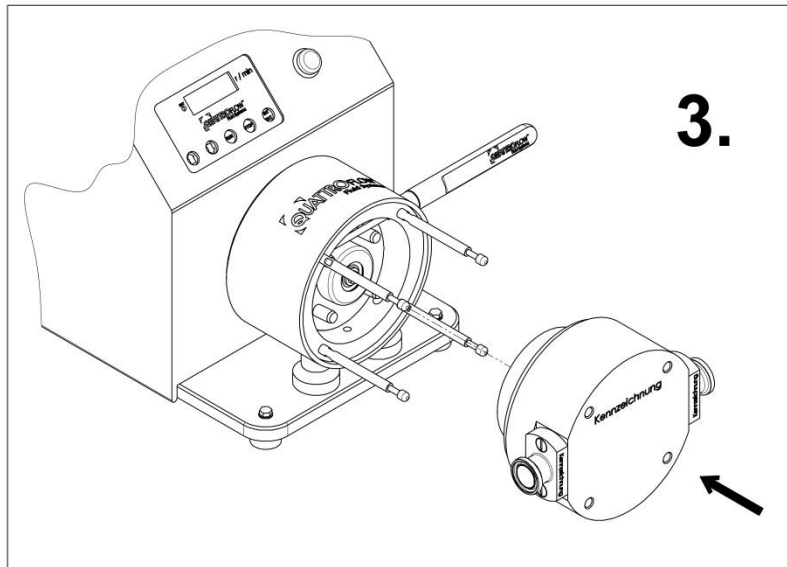
Loosen the locking screw with a hex head wrench (Size 5mm).

#### 3.2. Alignment of the shaft-bearing-cap-unit



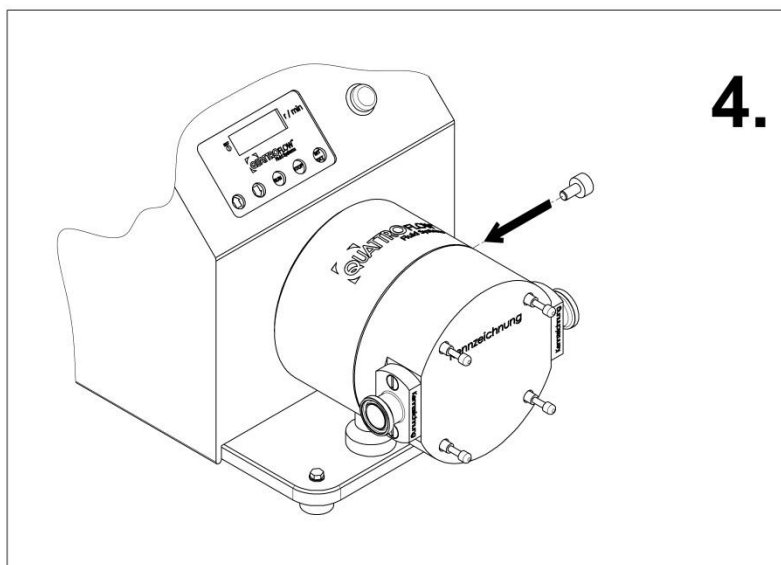
Align the cap of the shaft-bearing-cap-unit by the help of the adjusting stick (item 1).

### 3.3. Assembling the pump chamber



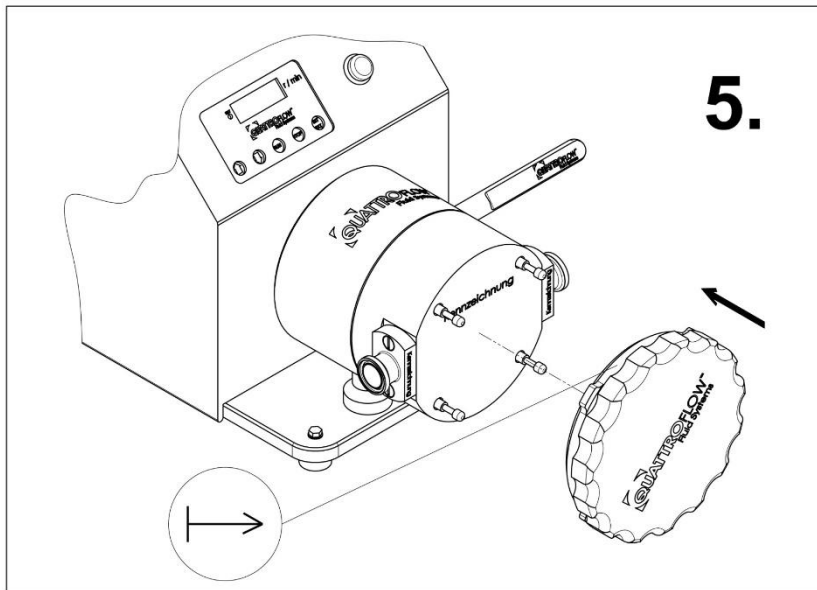
Assemble the pump chamber by the help of the studs (item 6). After that pull out the adjusting stick (item 1).

### 3.4. Mounting the locking screw



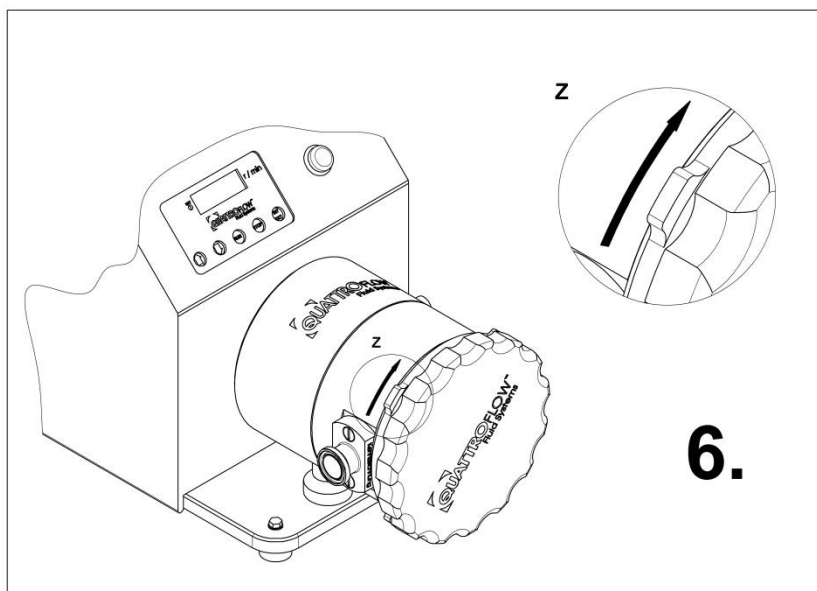
Tighten the locking screw with the help of a hex head wrench (Size 5mm).

### 3.5. Mounting the subassembly



Assemble the whole subassembly (item 8) by placing the studs (item 6) into the provided holes and press it on. In addition to this, the mark on the bajonet-plate (item 2) should be visible. If the version without marking is present, the orientation of the subassembly (item 8) will not matter.

### 3.6. Fasten the bajonet-plate

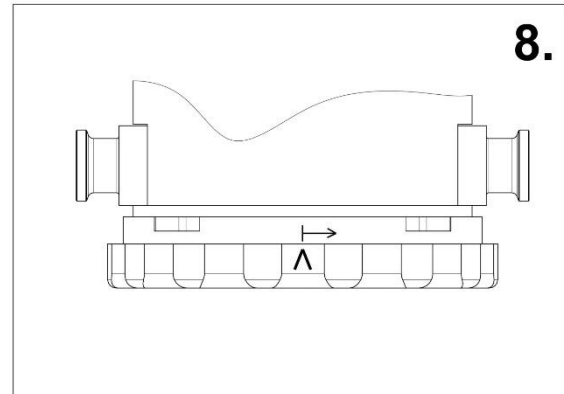
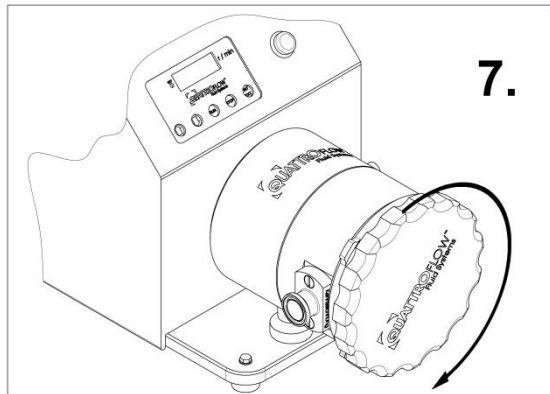


Fasten the bajonet-plate (item 2) by turning it clockwise. The bajonet-closure snaps in after about 20° rotation-angle.

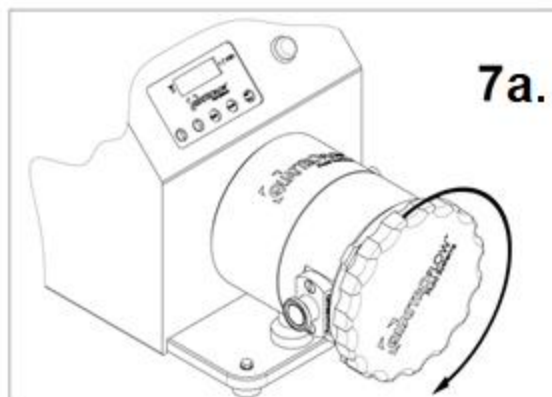
If the bajonet-plate is not rotatable, it is possible that the handwheel (item 4) is not loosened enough and need a few more rotations clockwise, but without unscrewing it completely.



### 3.7. Fasten the hand wheel



Fasten the hand wheel (item 4) by turning it clockwise (figure 7). Turn the hand wheel until a noticeable drag appears. After that, the mark of the hand wheel must be turned at least to the mark of the bayonet-plate or beyond (figure 8). If the version without marking is present, the figure 7a must be observed for tightening.



The hand wheel (item 4) must be turned so far until the rotational resistance decreases jerkily. Thereafter, it should not be further rotated until the next change of a new pump-chamber.

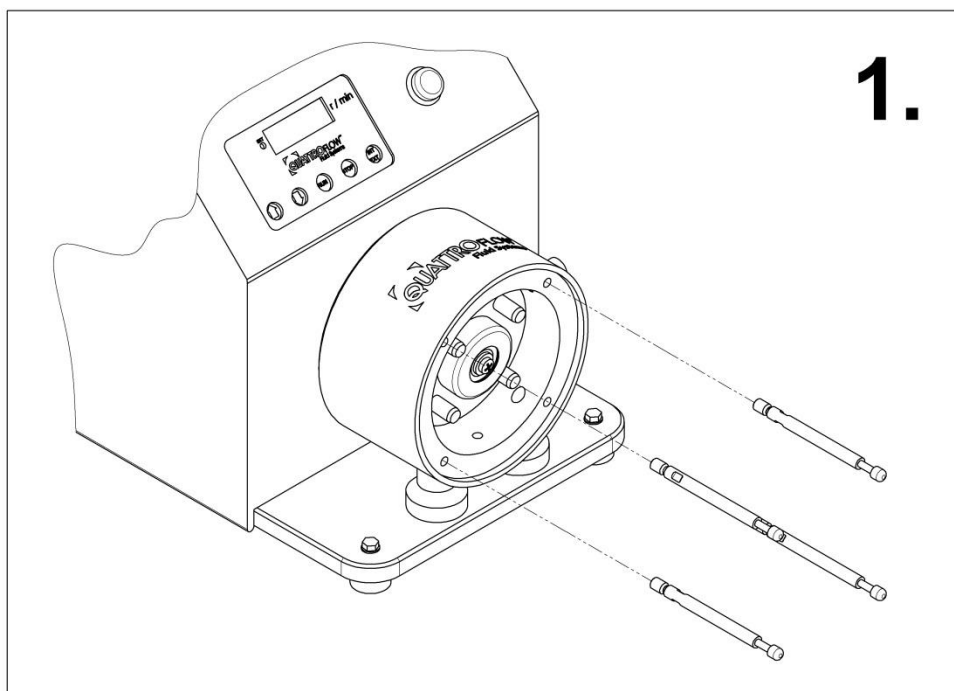
## 4. Retrofit a pump to EZ-Set

An existing standard QF1200 single-use pump can be retrofitted quickly and easily to the EZ-Set system. For this purpose, the WLC (shaft-bearing-cap) unit must be replaced and the studs screwed in.

### 4.1. Replacing the shaft-bearing-cap-unit

The replacement of the shaft-bearing-cap unit (item 7) is described in the chapter 4.2 of the pump manual.

### 4.2. Fasten the studs



Fasten the studs (item 6) in the bearing-shell of the ring-drive-unit and tighten them with the help of an open-end spanner (A/F 5mm).

Quattroflow is a brand of PSG Germany GmbH.

PSG Germany is constantly working on improvements of the pump. Modifications of the design or materials might be done without prior notice.



Subject to change without notice, 2021-04 (replaces 2018-11)

**PSG Germany GmbH**  
Hochstraße 150-152 · D-47228 Duisburg, Germany  
Telefon +49 (0) 2065 89205-0 · Fax +49 (0) 2065 89205-40  
[www.quattroflow.com](http://www.quattroflow.com) · [psg-germany@psgdover.com](mailto:psg-germany@psgdover.com)