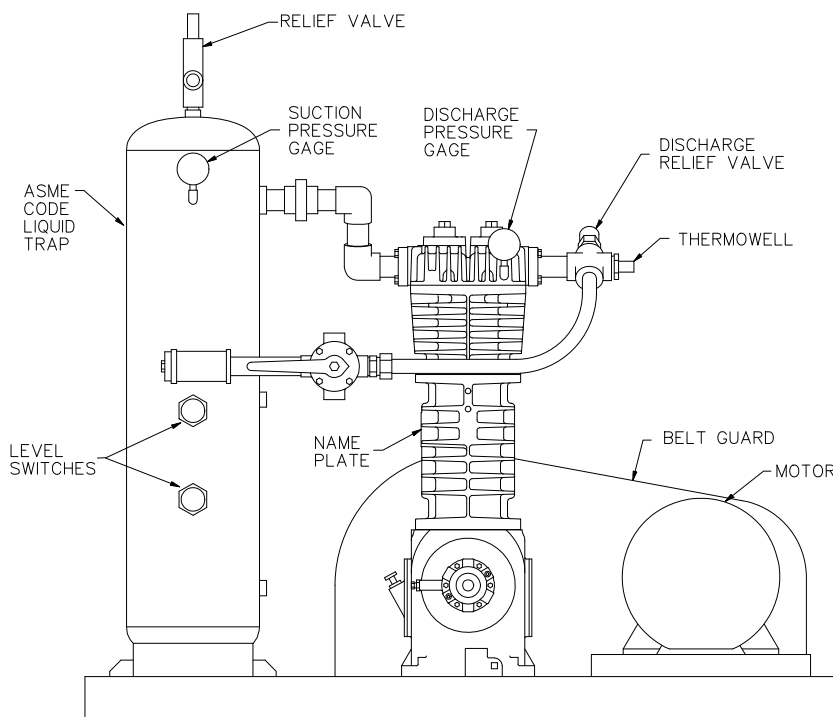
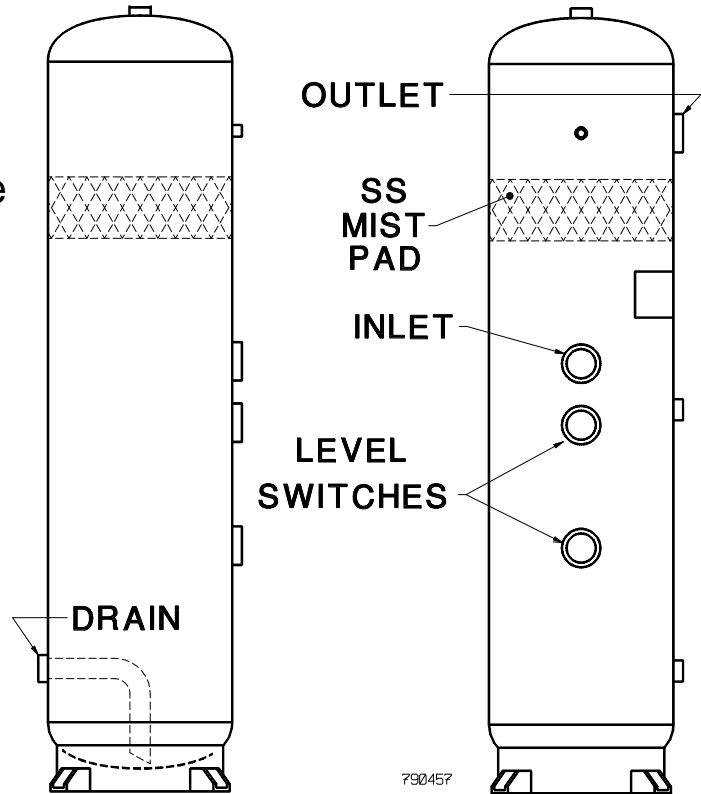
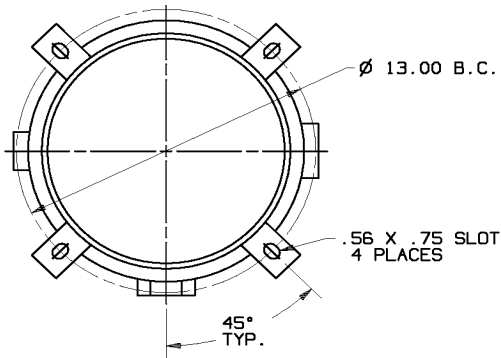
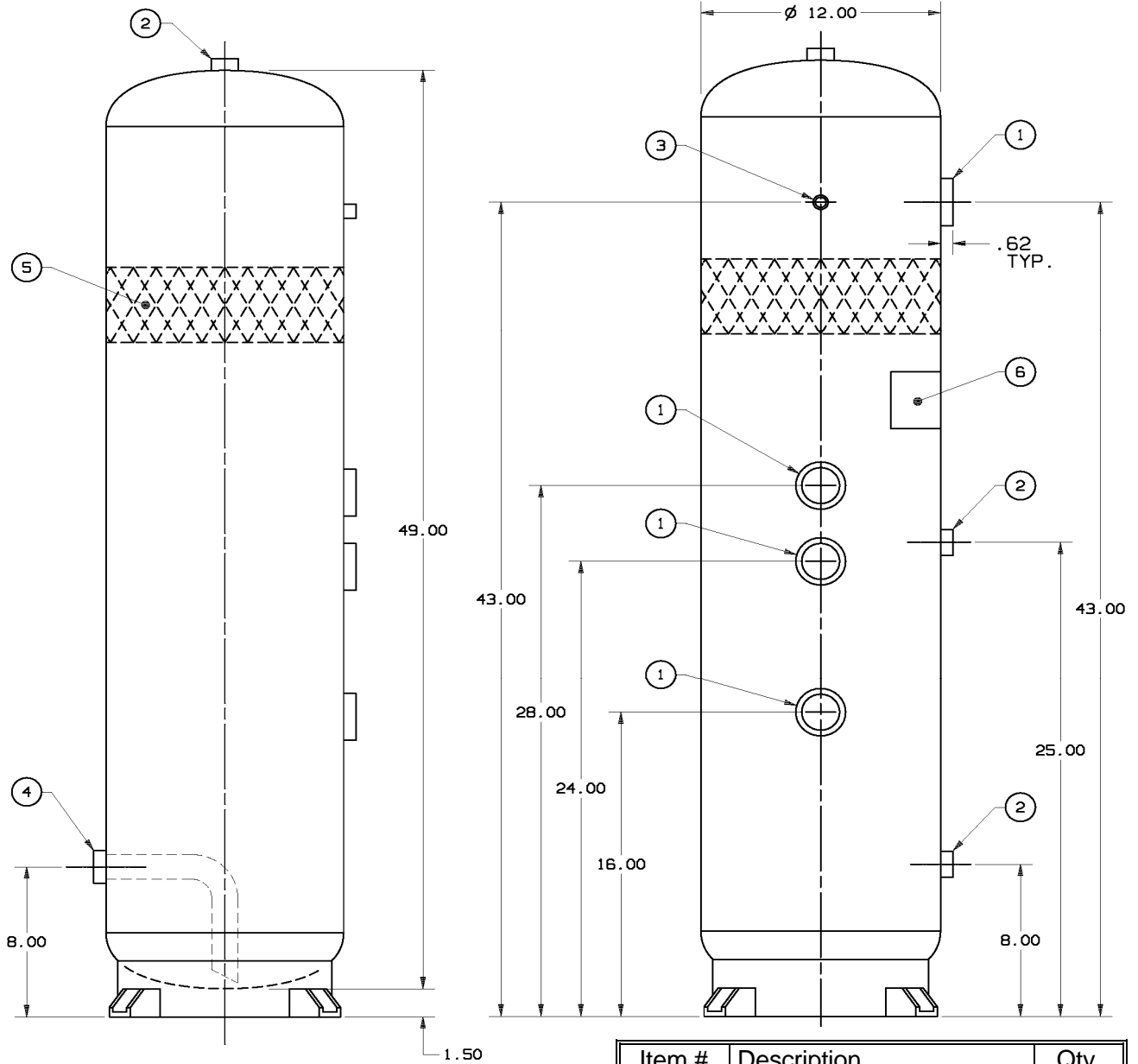


ASME Code Liquid Traps

- Larger volume to collect more liquid
- Two electric float switches may be fitted
- Relief valve opening
- ASME code vessel
- May be fitted with a level gauge
- 1" manual drain valve
- 4" Stainless Steel mist pad
- ANSI flanged or NPT ports



790457 ASME Code Liquid Trap, NPT Ports

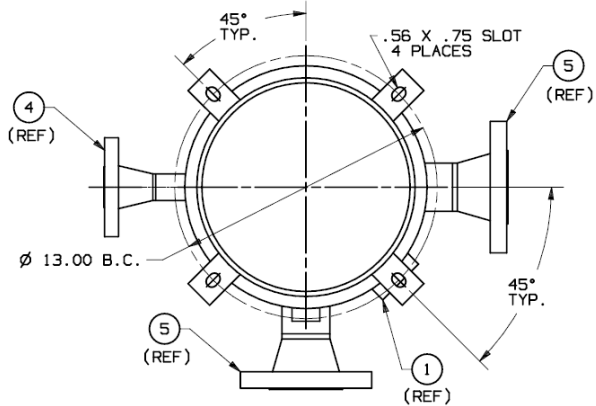
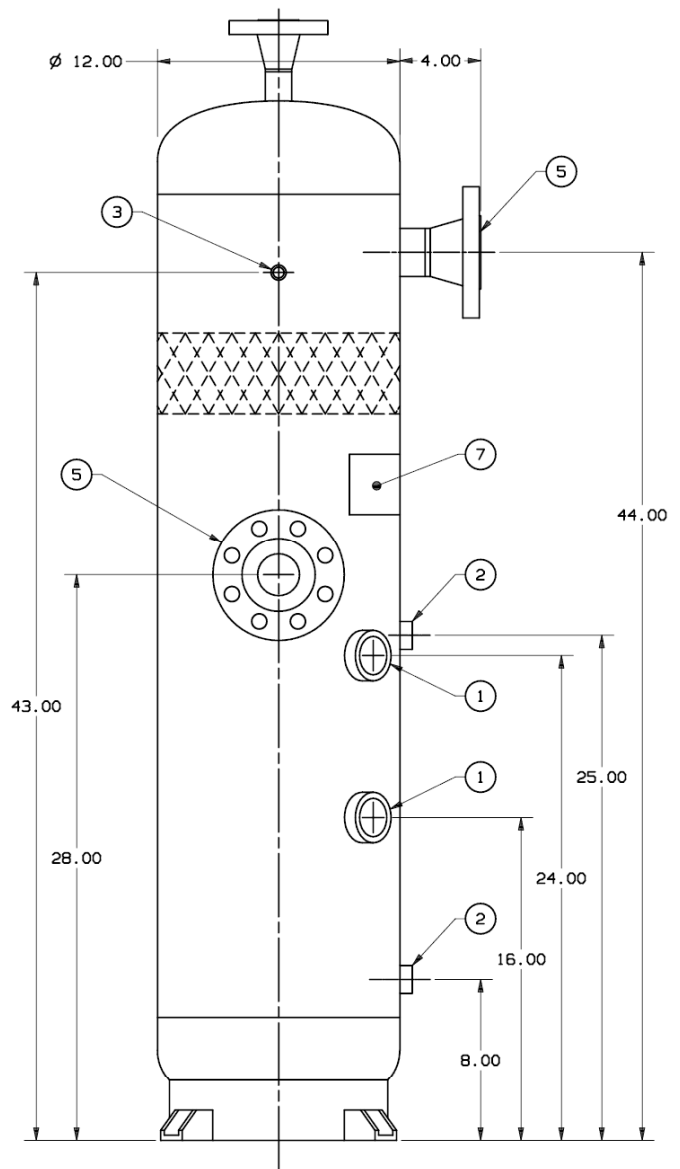
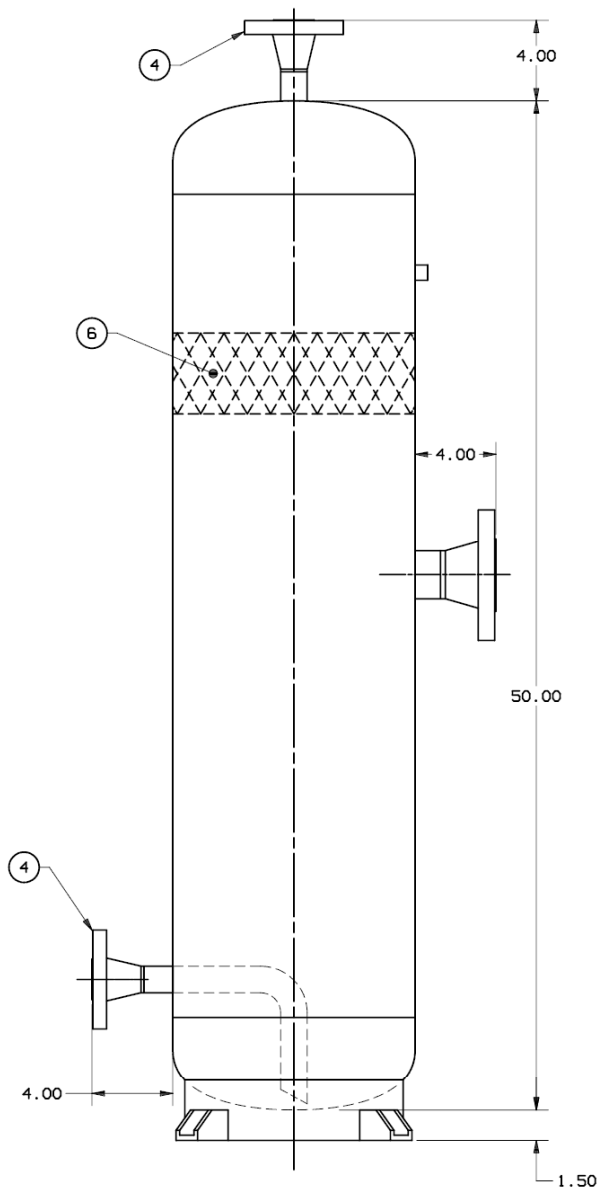


Item #	Description	Qty.
1	1-1/2 NPT Half Cplg.	4
2	3/4 NPT Half Cplg.	3
3	1/4 NPT Half Cplg.	1
4	1 NPT	1
5	SS 4" Demister Pad Density: 9 lb/linear ft. Wire Diameter: 0.011"	1
6	ASME Nameplate	1

Notes:

- 1. ASME Code Vessel
- 2. MAWP: 365PSIG @ 350°F

790495 ASME Code Liquid Trap, ANSI flanges



Item #	Description	Qty.
1	1-1/2 NPT Half Cplg.	2
2	3/4 NPT Half Cplg.	2
3	1/4 NPT Half Cplg.	1
4	1" 300# Weld Neck Flange	2
5	2" 300# Weld Neck Flange	2
6	SS 4" Demister Pad Density: 9 lb/linear ft. Wire Diameter: 0.011"	1
7	ASME Nameplate	1

Notes:

- 1. ASME Code Vessel
- 2. MAWP: 365PSIG @ 350°F

