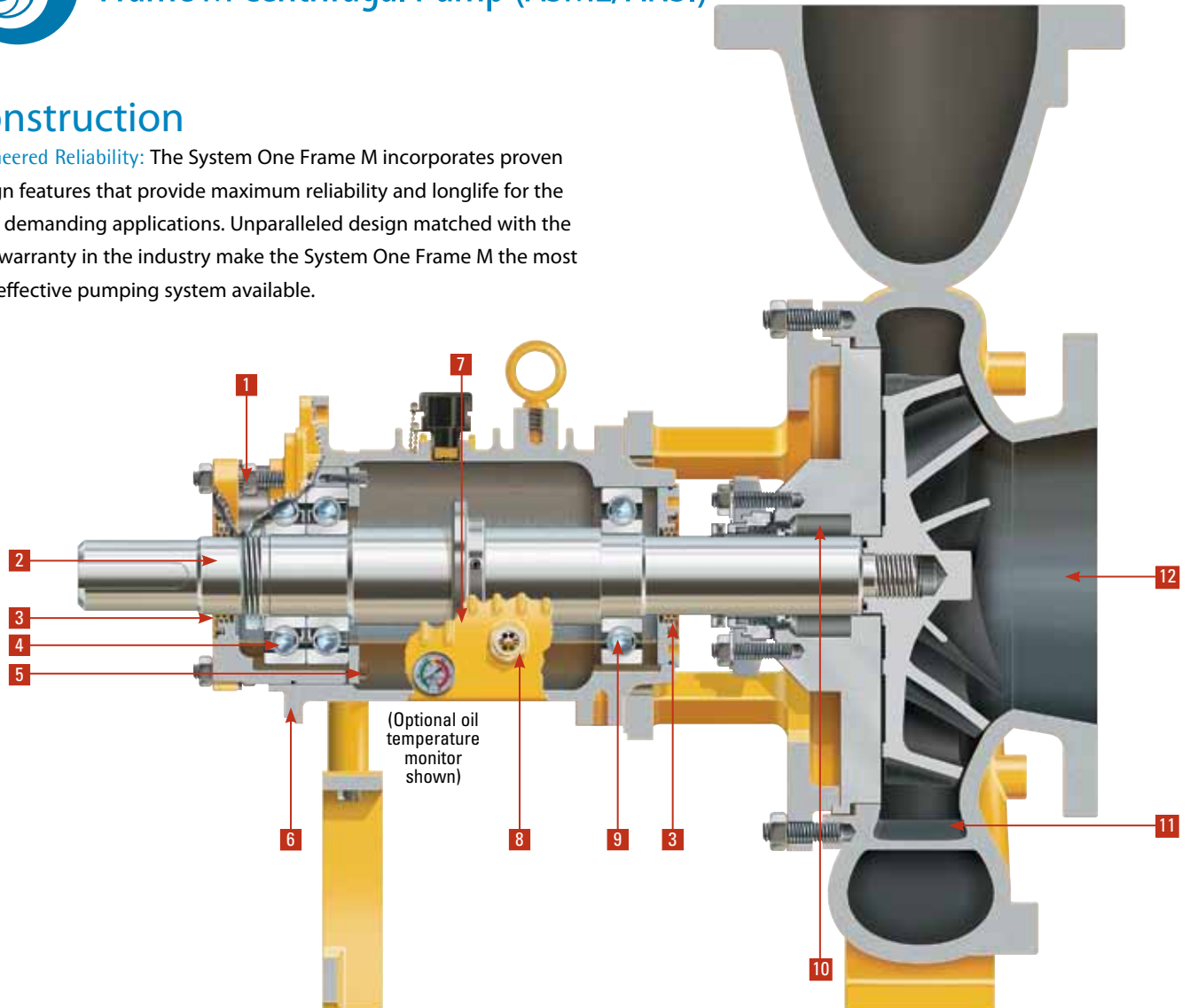




Frame M Centrifugal Pump (ASME/ANSI)

Construction

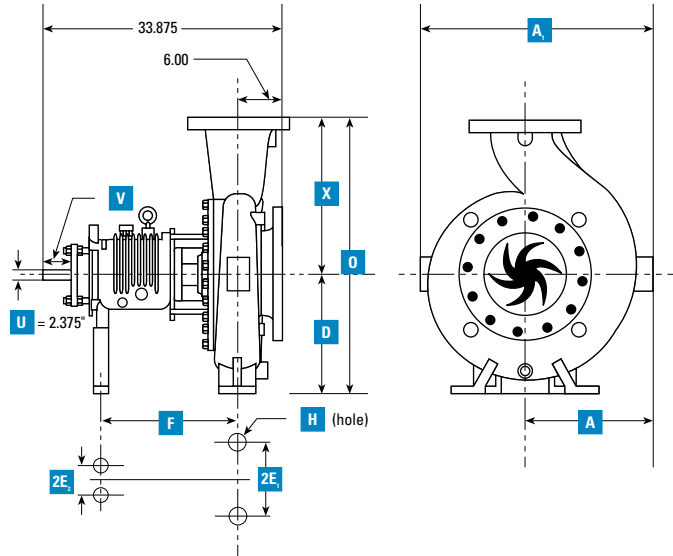
Engineered Reliability: The System One Frame M incorporates proven design features that provide maximum reliability and longlife for the most demanding applications. Unparalleled design matched with the best warranty in the industry make the System One Frame M the most cost effective pumping system available.



- 1** Micrometer adjustment nuts fine tune impeller setting for maximum efficiency.
- 2** Solid shaft (no sleeve) with L^3/D^4 ratio of 19 is the lowest for any process pump in this size range.
- 3** Non-wearing labyrinth seals provide unparalleled protection of oil and bearings.
- 4** Ultra-high capacity angular contact thrust bearings (7314 pair) provide shaft rigidity and eliminate axial movement even during off BEP operation.
- 5** Bolted retainer cover provides positive clamping of thrust bearing and prevents axial shaft movement.
- 6** Rabbet for C-Frame (NEMA) motor adaptor provides for automatic mechanical motor alignment without special tools or excessive labor. Accepts motor frame sizes up to 449TSC.
- 7** Cast-in cooling fins and large oil reservoir enhance heat transfer and promote oil cooling. Finned cooling coil available for high temperature applications.
- 8** Large oil sight glass enables instant analysis of oil level and condition.
- 9** Oversized radial bearing (6314) provides greater load carrying capabilities and extended bearing life in even the harshest conditions.
- 10** Large volume seal chamber provides proper cooling and lubrication to seal faces. Accepts all standard mechanical seals. Throat bushing options include carbon, polyurethane or SpiralTrac¹.
- 11** Double volute construction reduces hydraulic forces within the casing thus lowering radial load on the shaft and bearings.
- 12** High efficiency wet ends help reduce energy costs.

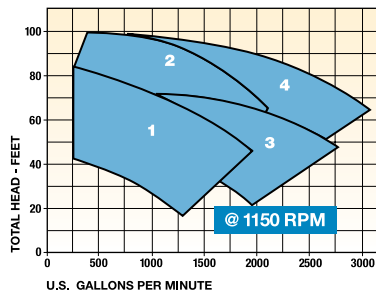
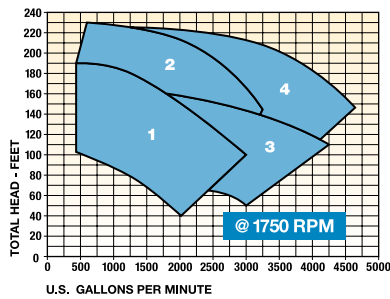
¹ SpiralTrac is a registered trademark of the manufacturer, EnviroSeal Engineering Products Ltd., Waverly, Nova Scotia.

Frame M Pump ASME/ANSI

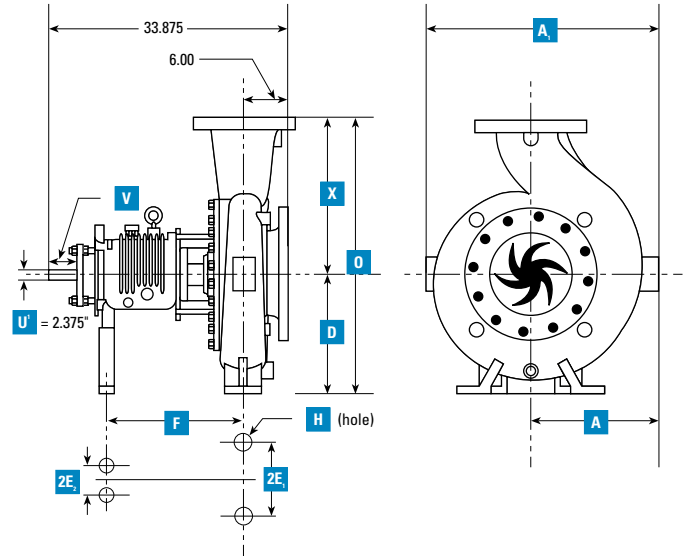


| | Pump Size | A ₁ | A | D | 2E ₁ | 2E ₂ | F | H | O | V | X |
|---|-----------|----------------|-------|-------|-----------------|-----------------|-------|-------|-------|------|----|
| 1 | 6 x 8-13 | 25.50 | 14.00 | 14.50 | 16.00 | 9.00 | 18.75 | 0.875 | 30.50 | 4.00 | 16 |
| 2 | 6 x 8-15 | 27.25 | 14.75 | 14.50 | 16.00 | 9.00 | 18.75 | 0.875 | 32.50 | 4.00 | 18 |
| 3 | 8 x 10-13 | 27.25 | 15.25 | 14.50 | 16.00 | 9.00 | 18.75 | 0.875 | 32.50 | 4.00 | 18 |
| 4 | 8 x 10-15 | 28.75 | 15.75 | 14.50 | 16.00 | 9.00 | 18.75 | 0.875 | 33.50 | 4.00 | 19 |

All dimensions are in inches.

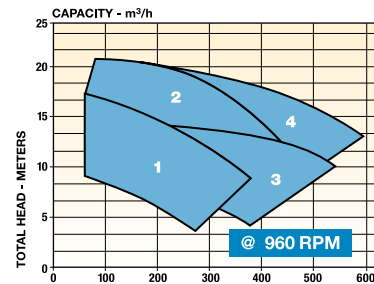
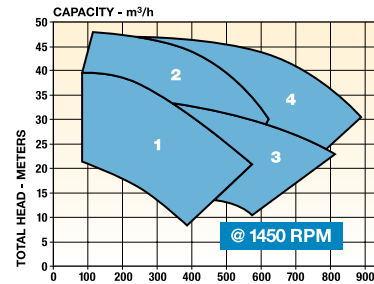


Frame M Pump METRIC



| | Pump Size | A ₁ | A | D | 2E ₁ | 2E ₂ | F | H | O | V | X |
|---|---------------|----------------|-----|-----|-----------------|-----------------|-----|----|-----|-----|-----|
| 1 | 150 x 200-330 | 648 | 356 | 368 | 406 | 229 | 476 | 22 | 775 | 102 | 406 |
| 2 | 150 x 200-380 | 692 | 375 | 368 | 406 | 229 | 476 | 22 | 826 | 102 | 457 |
| 3 | 200 x 250-330 | 692 | 387 | 368 | 406 | 229 | 476 | 22 | 826 | 102 | 457 |
| 4 | 200 x 250-380 | 730 | 400 | 368 | 406 | 229 | 476 | 22 | 851 | 102 | 483 |

All dimensions are in millimeters. ¹ Dimension is in inches.



- Optional centerline mount for high temperature applications
- Optional left or right side discharge
- Optional vertical mount configuration - contact factory for special quotation

Distributed By:



Printed in USA

© 2012 Blackmer



Process | Energy | Military & Marine

World Headquarters

1809 Century Avenue SW, Grand Rapids, MI 49503-1530 USA

T 616.241.1611 F 616.241.3752 www.blackmer.com