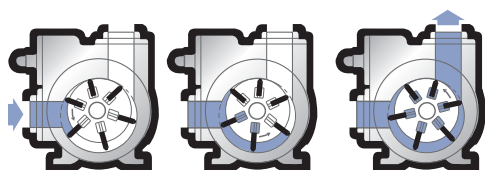
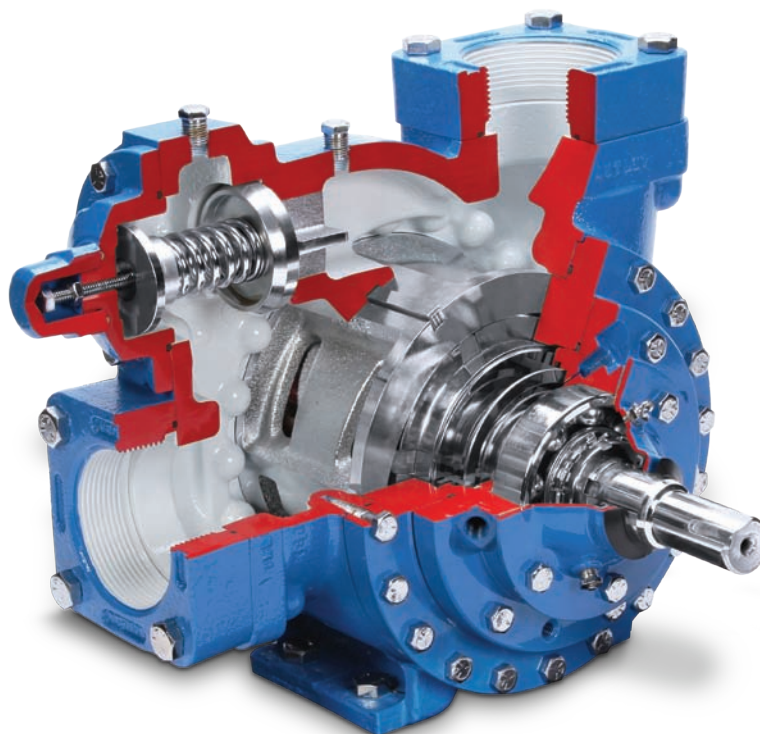




SGLWD3 & SGLWD4 Sliding Vane Pumps with Double Mechanical Seals



How Blackmer's sliding vane action works

Reliability

The Double Mechanical Seals in the Blackmer® SGLWD3 and SGLWD4 pumps provide peace of mind and protection against unforeseen leakage of volatile liquids. Specially developed to provide zero leakage, Blackmer's exclusive cartridge type, double seal design is field proven to offer long life and reliable service in a wide range of critical and high vapor pressure applications.

Features & Benefits:

- Available with Plan 52 Unpressurized Dual Seals or Plan 53 Pressurized Dual Seals
- Reduction of volatile organic compound (VOC) emissions
- Elimination of liquid leakage
- Eliminates problems experienced with gear pumps:
 - Provides increased pump life
 - Significantly improves offloading times
 - Offers line stripping
- Use the corresponding mechanical seal flush plan – 52, 53A, 53B or 53C
- Cartridge design allows for easy replacement without disturbing heads and internal pump components.
- Hardened face next to rotor for axial space savings
- Double seal fits into same axial package as single seal



SGLWD3 & SGLWD4

Sliding Vane Pumps with Double Mechanical Seals

Performance Data

	SGLWD3			SGLWD4		
Speed (rpm)	640	520	420	640	520	420
U.S. gpm	133	108	80	270	220	170
L/min	503	409	303	1,022	833	643
hp	8.0	6.7	5.2	15.5	12.2	10.0

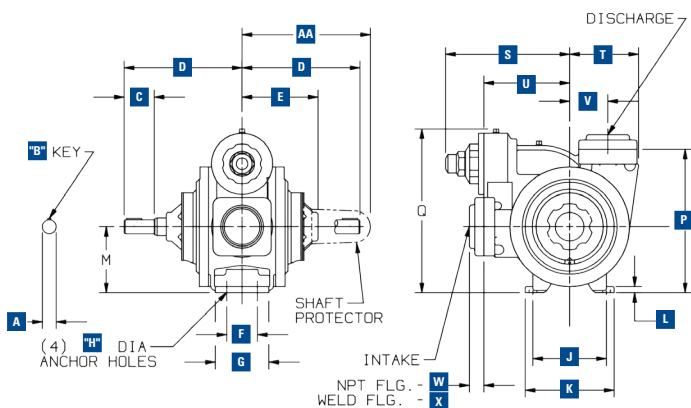
* Approximate data based on handling various liquefied gases as 50 psi (3.45 bar) differential pressure. Refer to characteristic curves for capacities and horsepower at other pressures.

Maximum Operating Limits

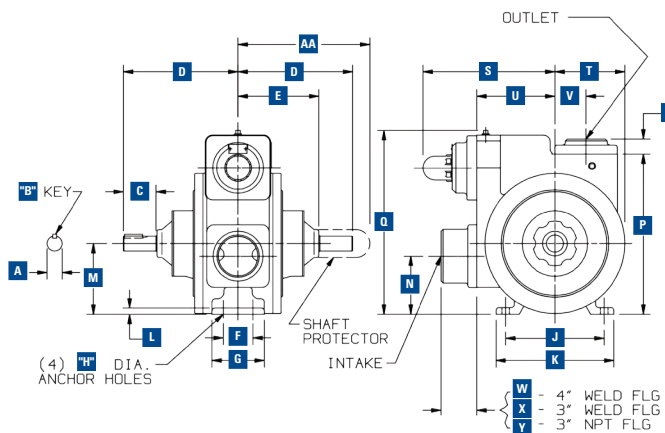
	Nominal Flowrate		Pump Speed	Differential Pressure		Working Pressure		Minimum Temperature	
	gpm	L/min	rpm	psi	bar	psi	bar	°F	°C
SGLWD3	133	503	640	150	10.3	525	36.2	-30	-34
SGLWD4	270	1,022	640	125	8.6	525	36.2	-30	-34

Note: Optional materials of construction may be required to meet specific application requirements – refer to Blackmer Material Specification Sheets.

Dimensions



SGLWD3



SGLWD4

Model		A	B	C	D	E	F	G	H	J	K	L	M	P	Q	S	T	U	V	W	X	AA	Approx. Weight
SGLWD3	in.	1 1/8	1/4	2 7/16	9 5/8	6 5/16	2 1/2	4 3/8	5/8	6	7 1/4	1/2	5 3/8	11 11/16	13 3/8	10 1/4	5 5/8	7	3 1/8	1 1/2	1 3/16	10 3/4	160 lbs.
	mm	28.6	6.4	61.9	244.5	160.3	63.5	111.1	15.9	152.4	184.2	12.7	136.5	269.9	339.7	260.4	142.9	177.8	79.4	38.1	30.2	282.6	72.6 kg

Model		A	B	C	D	E	F	G	H	J	K	L	M	N	P	Q	S	T	U	V	W	X	Y	AA	Approx. Weight
SGLWD4	in.	1 1/4	5/16	2 3/4	9 5/8	6 3/4	2 1/2	4 3/8	5/8	8 1/4	9 5/16	9/16	5 15/16	4 7/8	13 7/16	15 7/16	11 1/16	5 7/8	6 5/8	2 5/8	3	1 1/4	1 1/2	11 1/4	205 lbs.
	mm	31.8	7.9	69.9	244.5	171.5	63.5	111.1	15.9	209.6	252.5	14.3	150.9	123.8	341.4	392.2	281.0	149.2	188.3	66.7	76.2	31.8	38.1	285.8	93 kg



Process | Energy | Military & Marine
 PSG Grand Rapids
 1809 Century Avenue SW, Grand Rapids, MI 49503-1530 USA
 T 616.241.1611 • F 616.241.3752
blackmer.com



Authorized PSG® Partner:

