



Equipment Testing, Certification and Special Services

Blackmer manufactures some of the world's most reliable pump and compressor technologies at its Grand Rapids, MI, facility. A number of Testing, Certification and Special Service capabilities are available, all designed to provide demonstrated performance for proven peace of mind.

Production Tests and Reports

- Dry-Vac Test
- Pressurized Leak Test
- Relief Valve Setting Test
- Flow Test
- Hydrostatic Tests

Certified Tests and Reports

- **Hydrostatic Test:** Conducted in accordance with the standards of the Hydraulic Institute.
- **Performance Test:** Data includes serial number, pump type, date of test, differential pressure, horsepower (pump only) or motor amperage (units), and capacity at various pressures.
- **NPSH Test:** Optional with a Certified Performance Test.
- **Noise/Vibration Tests:** Requires Certified Performance Test.
- **Customer or Third-Party Witness** for any product test.

Award Winning Engineering

Blackmer's commitment to technical excellence runs deep. For example, Blackmer's Director of Engineering was recently recognized for his outstanding contributions to the development of the Hydraulic Institute's ANSI/HI Pump Standards.



Blackmer is one of very few manufacturers with their own foundry, which helps insure quality control on materials of construction.



Noise decibel testing in the Blackmer performance lab.

Please contact Blackmer's Applications Engineering Help Line at (616) 475-9340 for additional information.

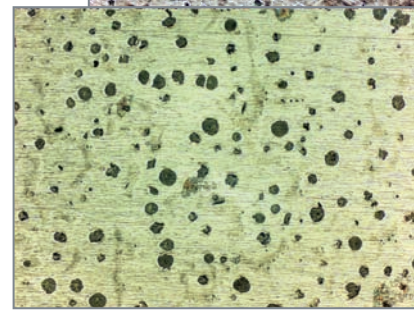
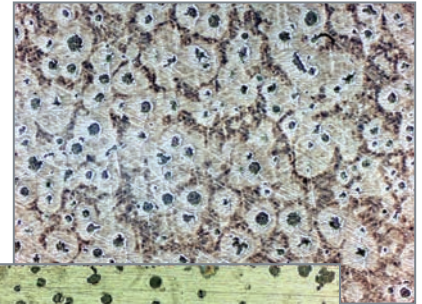
Where Innovation Flows



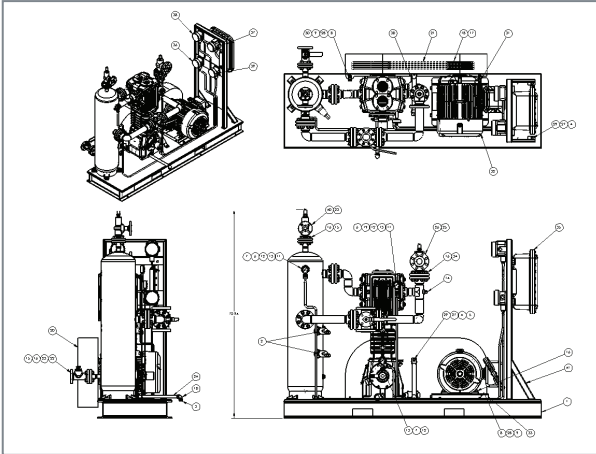
Equipment Testing, Certification and Special Services

Certifications

- **Material Certificate:** Data for the actual physical and chemical certificate taken directly from the records of specific inspections of materials poured for the listed castings.
- **Material Certificate with Actual Microstructure Photo:** Microstructure photo derived from specific photos of the material that is poured per the listed castings.
- **Material Report:** Data for the typical physical and chemical certificate derived from records of non-specific inspection of the material poured per the listed castings. *Note: the products inspected are not necessarily the products that are actually supplied.*
- **Typical Microstructure Photo:** Obtained from non-specific photos of the material used in typical construction with the products inspected, not necessarily the products supplied.
- **Positive Metal Identification Report:** Establishes the chemical-material type being used, but is not intended for complete chemical analysis.



Microstructure Photos



Special Services

For Pumps, Compressors and Units:

- **Certified Drawings:** Standard catalog drawings are certified and delivered with shipment. Must be requested at time of equipment order.
- **General Arrangement (GA)/CAD Drawings:** A copy or reproduction of standard catalog outline drawings. CAD drawings may be requested.
- **In-Plant Inspection:** Inspection of equipment by purchaser prior to shipment.

For Compressors only:

- **Nitrogen Purge:** Compressor is filled with nitrogen prior to shipment.

For Centrifugal Pumps only:

- **Certification of Impeller Trim/Balance:** Certification of the pump's impeller trim and balance.

Note: Not all Tests, Certifications and Special Services are applicable to all products, and additional pricing and delivery lead times may apply when any Tests, Certifications or Special Services are requested.

Please contact Blackmer's Applications Engineering
Help Line at (616) 475-9340 for additional information.



Process | Energy | Military & Marine
PSG Grand Rapids
1809 Century Avenue SW, Grand Rapids, MI 49503-1530 USA
T 616.241.1611 • F 616.241.3752
blackmer.com

Authorized PSG® Partner: