

LB161-LU

LB Series
LPG Compressor with HATZ
E79 Engine Drive

Gas

Propane
N = 1.13
MW = 44.1

Inlet

63 - 200 psig
(4.4 – 14.1 kg/cm²g)
Ambient Temperature

Outlet

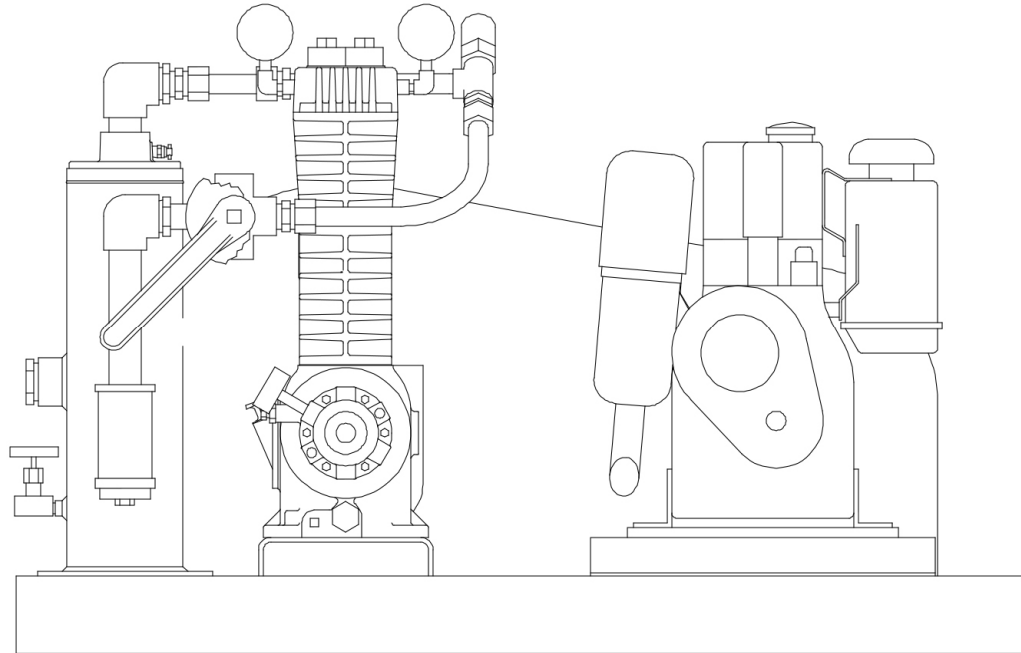
75 - 225 psig
(5.3 – 15.8 kg/cm²g)

Compressor Construction

Ductile Iron Cylinder
Buna-N O-Rings
Aluminum Gaskets
Suction Strainer
Discharge Relief Valve
Oil Pressure Gauge
Liquid Trap with Mechanical Float
Suction and Discharge Pressure Gauges
4-Way Flow Control Valve

Accessories

Driver:
Hatz E79 Diesel engine with crank
start, clutch and spark arresting
muffler.



Installation Example

This LB161 gas compressor is a portable LPG transfer compressor in Morocco.

Since the unit is engine driven, it can be easily transported to a remote site. There it can be used to 'empty' a tank prior to moving it over public roads. It can also be used to empty vessels involved in an accident. If a liquid opening is available, the liquid may be pushed out into a bobtail or transport truck via the differential pressure method. Once the tank is emptied of liquid, the 4-way valve is reversed and the vapors are recovered.