

LB601-LC

LB Series
LPG Unloading Compressor
 driven @ 715 RPM

Gas

Propane
 N = 1.13
 MW = 44.09

Inlet

35 - 189 psia
 (2.5 - 13.3 kg/cm²)
 20 - 100°F (-7 - 38°C)

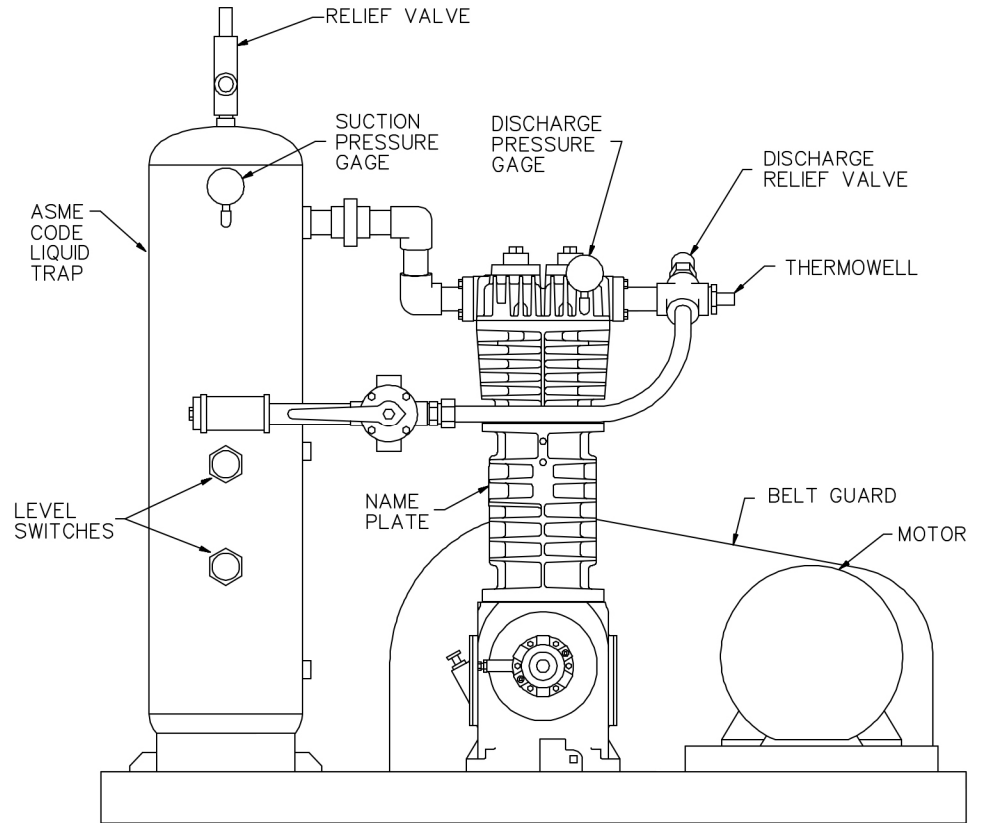
Outlet

75 - 220 psia
 (5.3 - 15.5 kg/cm²a)

Compressor Construction

- Buna-N O-rings
- Ductile Iron
- Aluminum Gaskets
- Pressure Gauges
- Relief Valves
- Suction Strainer
- ASME Code Liquid Trap
- 25 HP Motor
- Liquid Level Switch
- 4-Way Flow Control Valve

Accessories



AE92-98844-1

Installation Example

Four of these LB gas compressors are used in China to transfer LPG at up to 300 gpm (1,135 L/min). A 4-way flow control valve allows vapors to be recovered after all the liquid has been transferred. The liquid trap, which prevents entry of liquid into the compressor, includes an electrical float switch to monitor the liquid level in the trap to protect the compressor in the event of abnormal operation. An inlet strainer stops foreign material from entering the compressor while relief valves prevent excessive pressures. The motor and switch are explosion proof.