

LG4-VB

LG Series

LPG Transfer Pump driven @ 610 RPM

Gas

Propane
 $n = 1.13$
 MW = 44.09
 Viscosity = 0.1 Cp @ 15 °C

Inlet

40 – 200 psia
 (2.9 – 14.1 kg/cm²g)
 20 - 110°F (-7 - 43°C)

Differential Pressure:
 30 psi (2.1 kg/cm²)

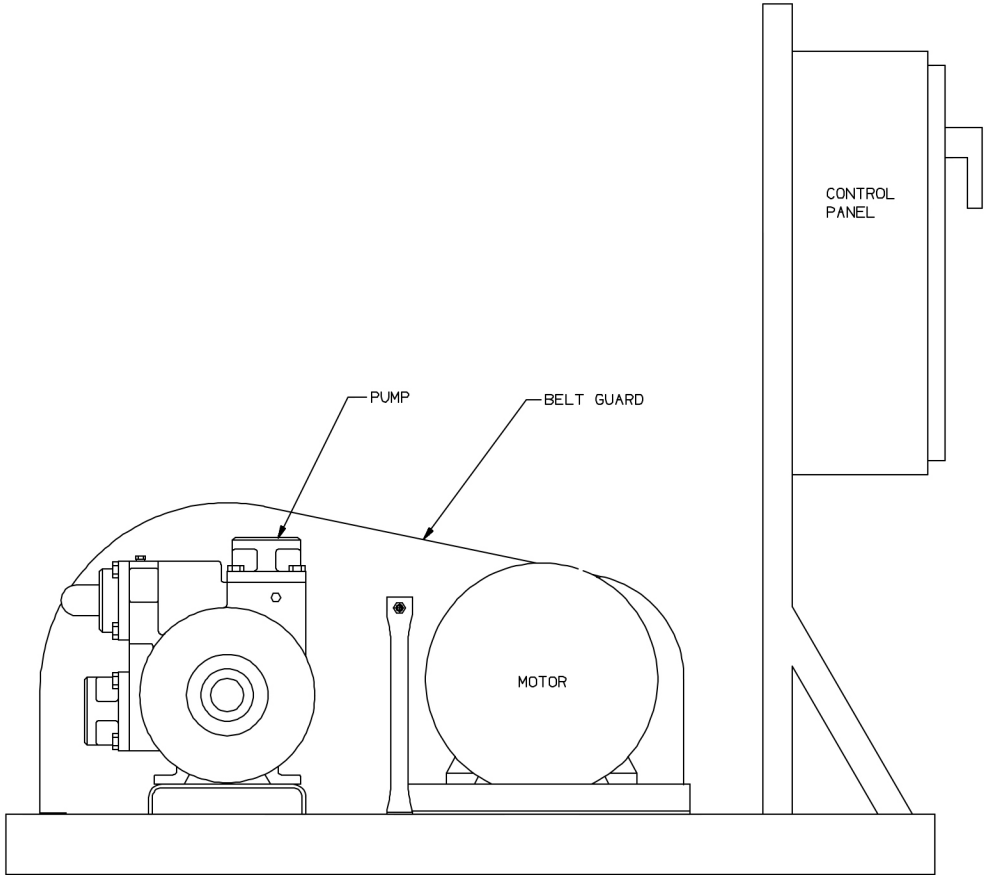
Outlet

Compressor Construction

Buna-N O-rings
 Ductile Iron Case

Accessories

Mechanical Seal
 Explosion Proof Control Panel
 Non-Sparking Aluminum Beltguard
 30 HP, 50 Hz, EXP Star-Delta Start
 Motor



AE94-J980289-1

Installation Example

Three of these pump packages are being used in Pakistan to transfer LPG at 250 gpm (950 lpm). The Star-Delta motor and starter allow reduced voltage motor starting to lessen the load on the power grid as the motor comes up to speed. The motor and switches are all explosion proof. A BV2 external back-to-tank bypass valve is placed in the discharge piping.