

HD942-TW

HD Series Isobutane Vapor Recover Compressor

Gas

Isobutane
n = 1.09
MW = 58.1

Inlet

15 - 73 psia
(1.1 – 5.1 kg/cm²a)
Ambient Temperature

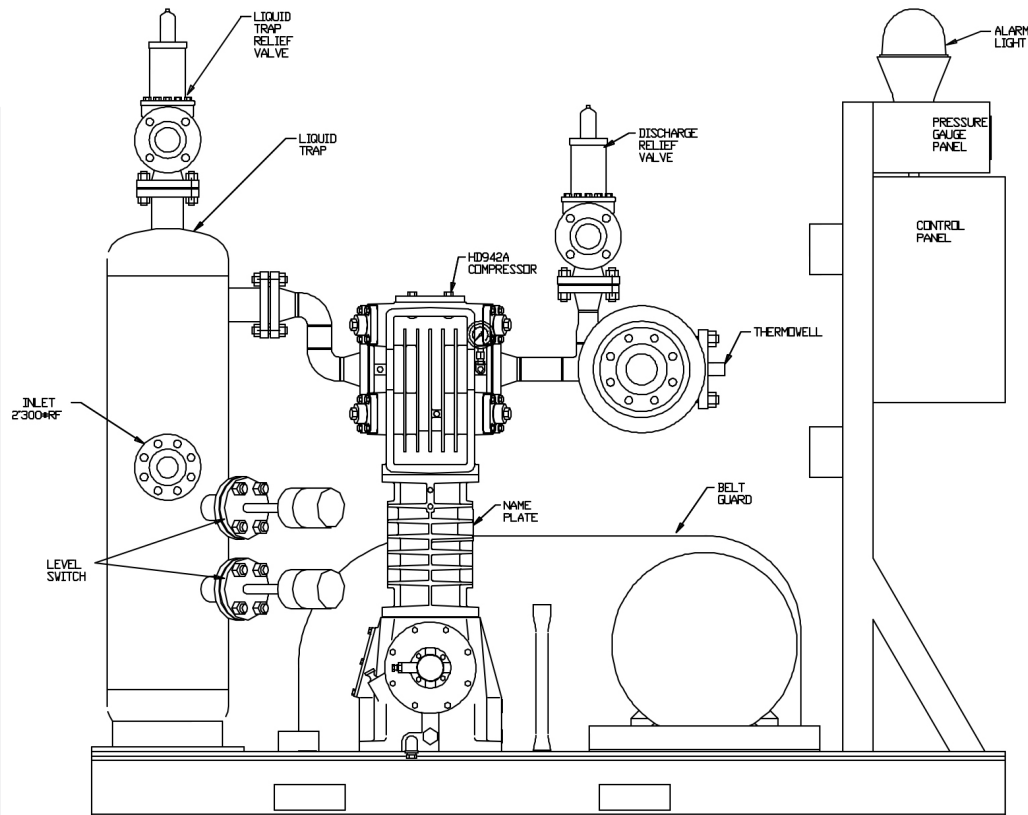
Outlet

25- 83 psia
(1.8 – 5.8 kg/cm²a)

Compressor Construction

Accessories

- ASME Liquid Trap
- 25 HP EXP Motor
- NEMA 7 Control Panel
- Level Switches
- Temperature Switch
- Alarm Light
- Relief Valves
- Suction Pressure Switch
- Oil Pressure Switch
- Pressure Gages
- Temperature Gages
- Vibration Switch
- Check Valve
- Structural Steel Skid
- Flanged Connections



AE95-J980751-1

Installation Example

This HD942-TW is being used in New Jersey to recover residual Isobutane vapors from rail cars. Approximately 470 gallons (1,780 liters) are recovered from each rail car in the summer months. Less product is recovered in winter due to the lower vapor pressure. The operation, which takes about an hour, is stopped as the rail cars approach atmospheric pressure. The liquid trap, skid, relief valves, pressure gauges, and other components were all designed or selected to meet the customer's specifications.