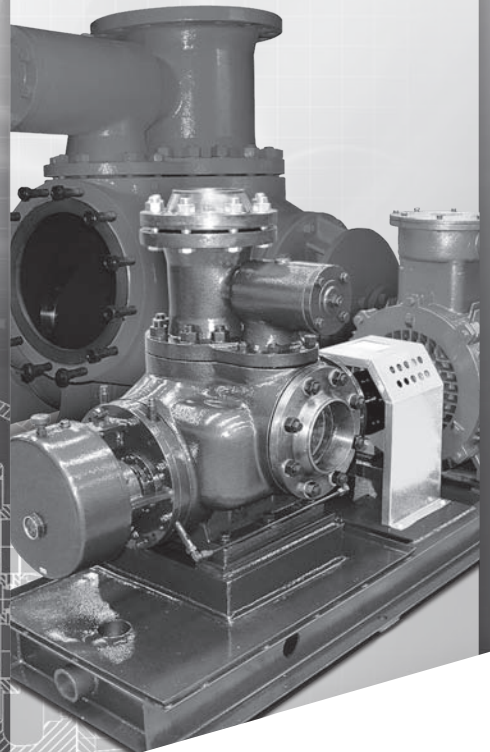
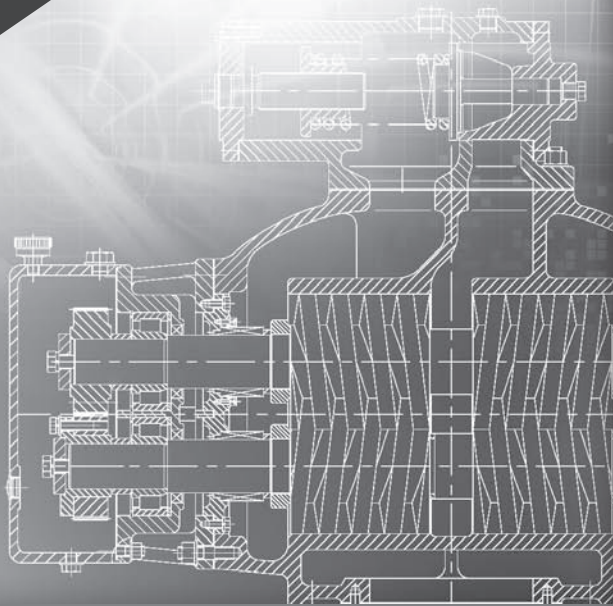


Blackmer[®]

Design Manual

S SERIES
Twin Screw Pumps



Where Innovation Flows

PSG[®]
a **DOVER** company

blackmer.com



SECTION 1 SCOPE OF APPLICATION 4

SECTION 2 APPLICATIONS 4

SECTION 3 STRUCTURAL FEATURES 5

SECTION 4 CLASSIFICATION OF TWIN SCREW PUMPS 6

SECTION 5 PUMP MODELS AND TECHNICAL DESCRIPTION 8

SECTION 6 PROCESS FOR MODEL SELECTION 12

SECTION 7 NOTES ON SELECTION 14

SECTION 8 PERFORMANCE

A. Cavitation Redundance Table - 50Hz 14

B. Performance - 50Hz

950 rpm 18

1450 rpm 48

C. Cavitation Redundance Table - 60Hz 78

D. Performance - 60Hz

1150 rpm 82

1750 rpm 112

SECTION 9 DIMENSIONAL DRAWINGS 142

SECTION 10 MOTOR PARAMETERS 152

Blackmer twin screw pumps can be used for transferring various fluids without solid particles, even viscous soaps.

Blackmer twin screw pumps can be used for various applications and have high reliability regardless of lubricating or non-lubricating, corrosive or multi-phase media.

Flow rate 0.5-2500 m ³ /h (2.2-11007 gpm)	Temperature -30-480 °C (-22-896 °F)
Pressure 0.1-6.0 MPa (14.5-870 psi)	Viscosity 0.5-100000 mm ² /s (cSt)

SECTION 2

APPLICATIONS

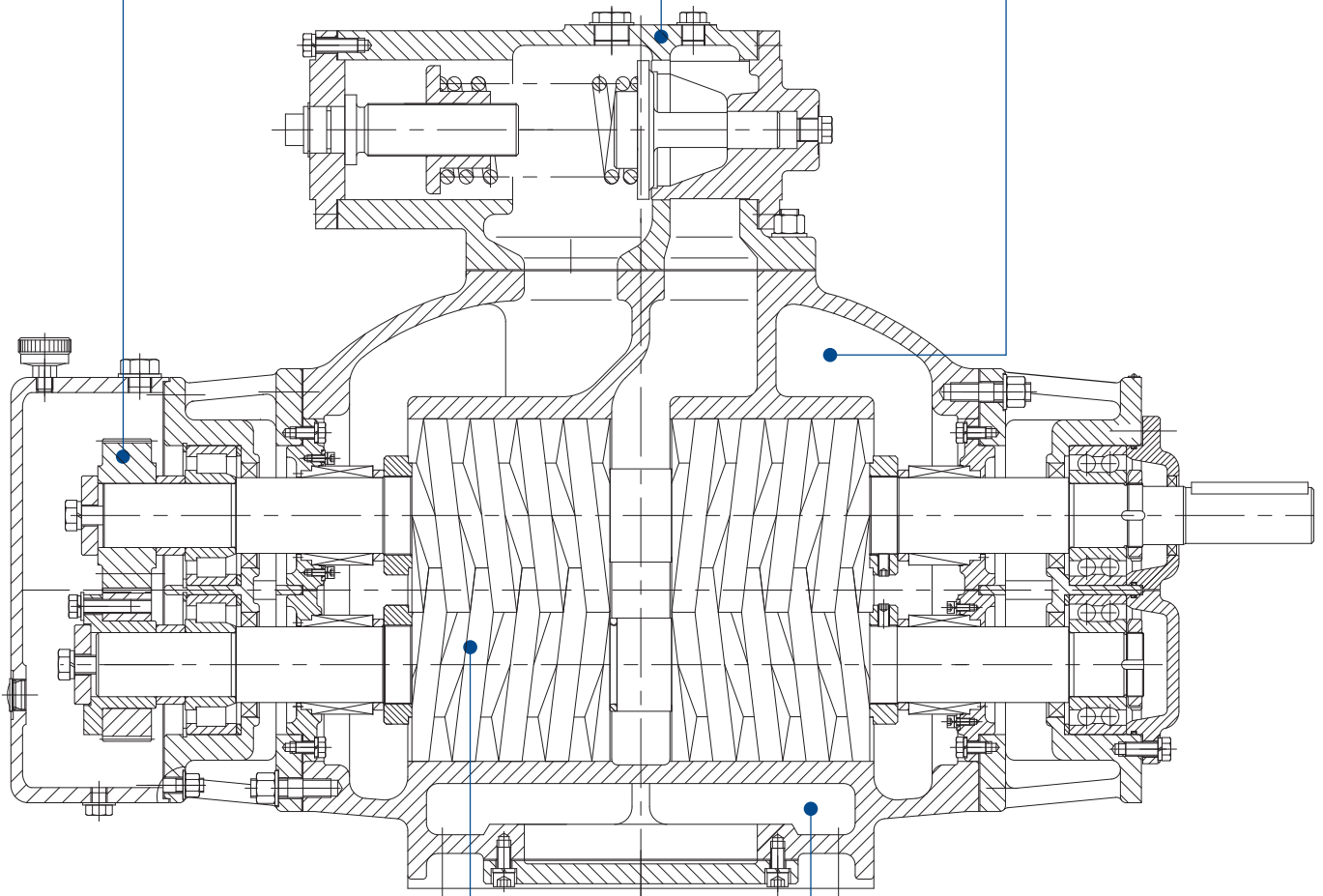


	<p>Petroleum</p> <p>Pumps for surface oil-gas transferring in oil field, long-haul transferring for high viscosity crude, piping engineering and polymer transferring.</p>
	<p>PetroChemical</p> <p>Pumps for heavy petroleum products such as various lubricating oil, crude oil, residue oil, heavy oil and asphalt; and light petroleum products such as light hydrocarbon, butadiene, gasoline, kerosene, MEK, phenol, etc.</p>
	<p>Off-shore oil</p> <p>Pumps for gas-liquid mixture on platform, liquid supply, waste oil, drainage and crude oil for electrical dehydration.</p>
	<p>Ship building</p> <p>Pumps for finish oil, fuel oil, finished asphalt, waste oil, bilge water and cargo, boosting, purging, lube pump for main engine.</p>
	<p>Chemical</p> <p>Pumps for acid, basic and salt solutions, resin, glycol, wax, rubber liquid, polymers and emulsions.</p>
	<p>Food industry</p> <p>Pumps for alcohol, beverages, honey, syrup, toothpaste, milk, soybean sauce, animal grease, vegetable oil, chocolate and other viscous materials.</p>
	<p>Textile industry</p> <p>Pumps for long and short fibers and chemical fiber feeds.</p>
	<p>Transportation industry</p> <p>Pumps for dispatching oils on sea-going and river docks, truck terminals, unloading, turn-around in tank farms and liquefied petroleum gas.</p>

Torque from the main drive is transmitted to servo screw by timer gear to ensure non-metal contact between moving parts for high reliability and no damage for short dry-run.

The pump body is equipped with a special circulation valve, which will open if the discharge pressure is higher than the working pressure, so that part of the pumped media returns to the suction or tank. It also helps to reduce the startup torque so that the pump can be started at full pressure.

Specially designed suction and discharge chambers so that enough media remains in the body when the pump stops, and the pump has good self-suction capability even if the suction pipe is empty.








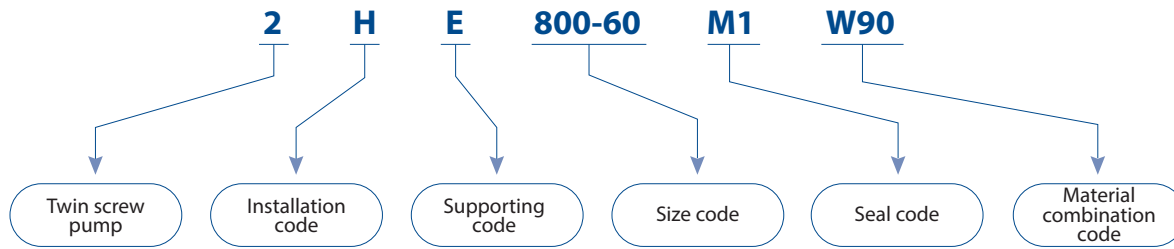
When working, the drive and servo screw joggles and forms a sealed chamber. The liquid in this chamber moves axially when screws rotate towards the discharge smoothly. The volume of the sealed chamber does not change and therefore creates no pulse.

There are multiple options for heating/insulation structure for the pump for different applications.

CLASSIFICATION OF TWIN SCREW PUMPS

	2MPS Multi-phase Twin Screw Pumps	Working conditions and applications Crude, gas, and water mixture; desert oil field; beach oil field; off-shore platform collection and transportation; well head. The suction and discharge of the pump shall be referred to as the structure of the pump. System integrated modules can be provided upon customer request to improve the automatic operation.	
	PERFORMANCE RANGE		
	Flow rate:		30~1500 m ³ /h (130~6500 gpm)
	Suction pressure:		≤1.6 MPa (232 psi); Max.: 2.5 MPa (363 psi)
	Discharge pressure:		≤4.0 MPa (580 psi); Max.: 6.0 MPa (870 psi)
	Pressure Ratio:		≤18; Max.: 20
	Gas Content:		≤97%
	Temperature:		20~120°C (68~248°F)
	LPG Single-End Twin Screw Pumps	Working conditions and applications Mainly used as a ground-level urban LPG pump to supply LPG to dispenser. It can also be used to pump LPG from underground storage to supply to a neighborhood.	
	PERFORMANCE RANGE		
	Flow rate:		2~100 m ³ /h (8.8~440 gpm)
	Suction pressure:		0.2~1.4 MPa (29~203 psi)
	Discharge pressure:		0.6~2.4 MPa (87~350 psi)
	Distance between pump and tank:		10~15 m (33~49 ft.)
	Suction head:		5~7 m (16~23 ft.)
	Temperature:		-20~40°C (-4~104°F)
	2HE/2HM Horizontal General Twin Screw Pumps	Working conditions and applications 2HE can be used for lubricating, clean fluids. 2HM can be used for non-solid containing media, including oils, chemicals and polymers, as well as for clean media containing less than 60% gas.	
	PERFORMANCE RANGE		
	Flow rate:		2~2500 m ³ /h (8.8~11000 gpm)
	Suction pressure:		-0.08~0.8 MPa (-11.6~116 psi)
	Discharge pressure:		0.1~2.5 MPa (14.5~363 psi)
	Viscosity:		0.5~100000 mm ² /s
	Temperature:		-20~120°C (-4~248°F)
	RPM:		400~2900 r/min
	2VE/2VM Vertical General Twin Screw Pumps	Working conditions and applications Mainly used for ships and other applications with limited space. 2VE can be used for lubricating, clean fluids. 2VM can be used for non-solid containing media, including oils, chemicals and polymers, as well as for clean media containing less than 60% gas.	
	PERFORMANCE RANGE		
	Flow rate:		2~2500 m ³ /h (8.8~11000 gpm)
	Suction pressure:		-0.08~0.8 MPa (-11.6~116 psi)
	Discharge pressure:		0.1~2.5 MPa (14.5~363 psi)
	Viscosity:		0.5~100000 mm ² /s
	Temperature:		-20~120°C (-4~248°F)
	RPM:		400~2900 r/min
	2HR Horizontal, High-Temperature, High-Viscosity Twin Screw Pumps	Working conditions and applications Applicable for high temperature [≥120°C (248°F)] media or media that requires heating, it can also be used for high viscosity where packing seal is used. There are multiple options for heating structures, partial and full body, etc.	
	PERFORMANCE RANGE		
	Flow rate:		2~2500 m ³ /h (8.8~11000 gpm)
	Suction pressure:		-0.08~0.8 MPa (-11.6~116 psi)
	Discharge pressure:		0.1~2.5 MPa (14.5~363 psi)
	Viscosity:		0.5~200000 mm ² /s
	Temperature:		-20~350°C (-4~662°F)
	RPM:		100~1500 r/min
	2HH High-Pressure Twin Screw Pumps	Working conditions and applications Mainly used for high pressure and long-distance transfer or supply to high-pressure units, and for fluids with viscosity greater than 100 mm ² /s (cSt).	
	PERFORMANCE RANGE		
	Flow rate:		10 ~1000 m ³ /h (44~4400 gpm)
	Suction pressure:		-0.06~0.6 MPa (-8.7~8.7 psi)
	Discharge pressure:		2.0~6.0 MPa (290~870 psi)
	Viscosity:		1~10000 mm ² /s
	Temperature:		-20~120°C (-4~248°F)
	RPM:		750~1500 r/min

	<table border="1"> <thead> <tr> <th colspan="2">2HC Twin Screw Pumps</th> </tr> <tr> <th colspan="2">PERFORMANCE RANGE</th> </tr> </thead> <tbody> <tr> <td>Flow rate:</td> <td>35 ~ 750 m³/h (150~3300 gpm)</td> </tr> <tr> <td>Suction pressure:</td> <td>-0.05~0.5 MPa (-7.3~73 psi)</td> </tr> <tr> <td>Discharge pressure:</td> <td>0.1~1.2 MPa (-15~174 psi)</td> </tr> <tr> <td>Viscosity:</td> <td>1~10000 mm²/s (cSt)</td> </tr> <tr> <td>Temperature:</td> <td>-20~120°C (4~248°F)</td> </tr> <tr> <td>RPM:</td> <td>750~1500 r/min</td> </tr> </tbody> </table>	2HC Twin Screw Pumps		PERFORMANCE RANGE		Flow rate:	35 ~ 750 m ³ /h (150~3300 gpm)	Suction pressure:	-0.05~0.5 MPa (-7.3~73 psi)	Discharge pressure:	0.1~1.2 MPa (-15~174 psi)	Viscosity:	1~10000 mm ² /s (cSt)	Temperature:	-20~120°C (4~248°F)	RPM:	750~1500 r/min	<p>Working conditions and applications</p> <p>Mainly used for low pressure and high flow rate applications such as terminals and tank farms for loading, turnaround, etc.</p>
2HC Twin Screw Pumps																		
PERFORMANCE RANGE																		
Flow rate:	35 ~ 750 m ³ /h (150~3300 gpm)																	
Suction pressure:	-0.05~0.5 MPa (-7.3~73 psi)																	
Discharge pressure:	0.1~1.2 MPa (-15~174 psi)																	
Viscosity:	1~10000 mm ² /s (cSt)																	
Temperature:	-20~120°C (4~248°F)																	
RPM:	750~1500 r/min																	
	<table border="1"> <thead> <tr> <th colspan="2">2H Single-End Twin Screw Pumps</th> </tr> <tr> <th colspan="2">PERFORMANCE RANGE</th> </tr> </thead> <tbody> <tr> <td>Flow rate:</td> <td>1~40 m³/h (5~180 gpm)</td> </tr> <tr> <td>Suction pressure:</td> <td>-0.08~1.4 MPa (-12~203 psi)</td> </tr> <tr> <td>Discharge pressure:</td> <td>0.2~2.5 MPa (-29~363 psi)</td> </tr> <tr> <td>Viscosity:</td> <td>0.5~100000 mm²/s (cSt)</td> </tr> <tr> <td>Temperature:</td> <td>-02~100°C (4~212°F)</td> </tr> <tr> <td>RPM:</td> <td>400~1500 r/min</td> </tr> </tbody> </table>	2H Single-End Twin Screw Pumps		PERFORMANCE RANGE		Flow rate:	1~40 m ³ /h (5~180 gpm)	Suction pressure:	-0.08~1.4 MPa (-12~203 psi)	Discharge pressure:	0.2~2.5 MPa (-29~363 psi)	Viscosity:	0.5~100000 mm ² /s (cSt)	Temperature:	-02~100°C (4~212°F)	RPM:	400~1500 r/min	<p>Working conditions and applications</p> <p>Mainly used for applications where delta P < 1.2 MPa (174 psi) and flow rate < 40 m³/h (11 gph). It is used for low, middle and high viscosity fluids without solid particles, and regardless of lubricating property and corrosion. It can be installed on a small cart to move within the tank farm to remove the oil from the tank bottom and at temporary unloading applications. Portable option is also available.</p>
2H Single-End Twin Screw Pumps																		
PERFORMANCE RANGE																		
Flow rate:	1~40 m ³ /h (5~180 gpm)																	
Suction pressure:	-0.08~1.4 MPa (-12~203 psi)																	
Discharge pressure:	0.2~2.5 MPa (-29~363 psi)																	
Viscosity:	0.5~100000 mm ² /s (cSt)																	
Temperature:	-02~100°C (4~212°F)																	
RPM:	400~1500 r/min																	
	<table border="1"> <thead> <tr> <th colspan="2">2HG Twin Screw Pumps</th> </tr> <tr> <th colspan="2">PERFORMANCE RANGE</th> </tr> </thead> <tbody> <tr> <td>Flow rate:</td> <td>1~40 m³/h (5~180 gpm)</td> </tr> <tr> <td>Suction pressure:</td> <td>-0.08~1.4 MPa (-12~203 psi)</td> </tr> <tr> <td>Discharge pressure:</td> <td>0.2~2.0 MPa (-29~290 psi)</td> </tr> <tr> <td>Viscosity:</td> <td>0.5~10000 mm²/s (cSt)</td> </tr> <tr> <td>Temperature:</td> <td>-20~120 °C (4~248°F)</td> </tr> <tr> <td>RPM:</td> <td>400~1500 r/min</td> </tr> </tbody> </table>	2HG Twin Screw Pumps		PERFORMANCE RANGE		Flow rate:	1~40 m ³ /h (5~180 gpm)	Suction pressure:	-0.08~1.4 MPa (-12~203 psi)	Discharge pressure:	0.2~2.0 MPa (-29~290 psi)	Viscosity:	0.5~10000 mm ² /s (cSt)	Temperature:	-20~120 °C (4~248°F)	RPM:	400~1500 r/min	<p>Working conditions and applications</p> <p>Stainless-steel construction for food industry requirements. Wet parts all comply with food grade standards. These pumps can be installed on a small cart to be portable.</p>
2HG Twin Screw Pumps																		
PERFORMANCE RANGE																		
Flow rate:	1~40 m ³ /h (5~180 gpm)																	
Suction pressure:	-0.08~1.4 MPa (-12~203 psi)																	
Discharge pressure:	0.2~2.0 MPa (-29~290 psi)																	
Viscosity:	0.5~10000 mm ² /s (cSt)																	
Temperature:	-20~120 °C (4~248°F)																	
RPM:	400~1500 r/min																	
	<table border="1"> <thead> <tr> <th colspan="2">ZL Twin Screw Granulator</th> </tr> <tr> <th colspan="2">PERFORMANCE RANGE</th> </tr> </thead> <tbody> <tr> <td>Capacity:</td> <td>0.4~10 T/h</td> </tr> <tr> <td>Particle size:</td> <td>2~6 mm (0.08~0.24 in.)</td> </tr> <tr> <td>System total power:</td> <td>22~70 kW (30~94 HP)</td> </tr> <tr> <td>Surfactant dosage:</td> <td>≤ 20kg/T</td> </tr> </tbody> </table>	ZL Twin Screw Granulator		PERFORMANCE RANGE		Capacity:	0.4~10 T/h	Particle size:	2~6 mm (0.08~0.24 in.)	System total power:	22~70 kW (30~94 HP)	Surfactant dosage:	≤ 20kg/T	<p>Working conditions and applications</p> <p>Used for extrusion of PAM or similar materials to form particles, in replacement of rotating cutter granulator or single screw granulator.</p>				
ZL Twin Screw Granulator																		
PERFORMANCE RANGE																		
Capacity:	0.4~10 T/h																	
Particle size:	2~6 mm (0.08~0.24 in.)																	
System total power:	22~70 kW (30~94 HP)																	
Surfactant dosage:	≤ 20kg/T																	
	<table border="1"> <thead> <tr> <th colspan="2">LQ/LQS/LQV/RF/RFS Filter for Screw Pumps</th> </tr> <tr> <th colspan="2">PERFORMANCE RANGE</th> </tr> </thead> <tbody> <tr> <td>Size of the ports:</td> <td>50~500 mm (2.0~20 in.)</td> </tr> <tr> <td>Working temperature:</td> <td>-20~400°C (4~752°F)</td> </tr> <tr> <td>Mesh:</td> <td>10 20 40 60 80</td> </tr> <tr> <td>Pressure grades:</td> <td>1.0, 1.6, 2.5, 4.0 MPa (145, 232, 363, 500 psi)</td> </tr> <tr> <td>Screen/port ratio:</td> <td>5 10 15 20</td> </tr> </tbody> </table>	LQ/LQS/LQV/RF/RFS Filter for Screw Pumps		PERFORMANCE RANGE		Size of the ports:	50~500 mm (2.0~20 in.)	Working temperature:	-20~400°C (4~752°F)	Mesh:	10 20 40 60 80	Pressure grades:	1.0, 1.6, 2.5, 4.0 MPa (145, 232, 363, 500 psi)	Screen/port ratio:	5 10 15 20	<p>Working conditions and applications</p> <p>Filters designed for suction ports on twin screw pumps. LQ, LQY and RF are general filters, and LQS and RFS are filters with heating jackets.</p>		
LQ/LQS/LQV/RF/RFS Filter for Screw Pumps																		
PERFORMANCE RANGE																		
Size of the ports:	50~500 mm (2.0~20 in.)																	
Working temperature:	-20~400°C (4~752°F)																	
Mesh:	10 20 40 60 80																	
Pressure grades:	1.0, 1.6, 2.5, 4.0 MPa (145, 232, 363, 500 psi)																	
Screen/port ratio:	5 10 15 20																	
	<table border="1"> <thead> <tr> <th colspan="2">Automatic Control System for Screw Pumps</th> </tr> <tr> <th colspan="2">PERFORMANCE RANGE</th> </tr> </thead> <tbody> <tr> <td>Power:</td> <td>0.75~600 kW (1.0~804 HP)</td> </tr> <tr> <td>Temperature:</td> <td>-20~60°C (4~140°F)</td> </tr> <tr> <td>VF range:</td> <td>5~60 HZ</td> </tr> </tbody> </table>	Automatic Control System for Screw Pumps		PERFORMANCE RANGE		Power:	0.75~600 kW (1.0~804 HP)	Temperature:	-20~60°C (4~140°F)	VF range:	5~60 HZ	<p>Working conditions and applications</p> <p>The automatic control system designed for screw pumps to determine startup and flow regulation. If secondary instruments are used, it can be used to determine real-time, on-site display/collection and controls on-site and remote settings of the flow rate, pressure difference, temperature, vibration, over-current, negative pressure and phase loss, etc.</p>						
Automatic Control System for Screw Pumps																		
PERFORMANCE RANGE																		
Power:	0.75~600 kW (1.0~804 HP)																	
Temperature:	-20~60°C (4~140°F)																	
VF range:	5~60 HZ																	



The model number of Blackmer twin screw pump is composed with 6 codes. Multiple options are available for 5 codes other than the code "2" (twin screw), which covers all features of Blackmer twin screw pumps. New model numbers will be used if customer specification can not be expressed by using the existing codes and the meaning and technical requirements of such new codes will be described.

■ Installation code

There are two ways to install a pump – horizontal mode and vertical mode.

H	Horizontal	Most common mode for installation. Easy to install and maintain.	
V	Vertical	Mostly used in application with limited space, such as in ships and on platforms. Hang-up mode is a variation of vertical with same internal structure, but it is hung-up when installed.	

■ Supporting code

The supports of the pump determines the working condition, it is the first determining factor when selecting a pump. The code for twin screw "2", installation code and supporting code forms the series code of the product.

Nul	Single-suction, external support		For all media with $T \leq 100^{\circ}\text{C}$ (212°F), mechanical seal
E	Dual-suction, short shaft, internal support		For lubricating media with $T \leq 100^{\circ}\text{C}$ (212°F), mechanical seal
M	Dual-suction, medium shaft, external support		For all media with $T \leq 120^{\circ}\text{C}$ (248°F), mechanical seal
R	Dual-suction, long shaft, external support		For all media with $T \leq 400^{\circ}\text{C}$ (752°F), mechanical seal and packing seal
H*	Dual-suction, enhanced shaft, external support		For all media with $T \leq 100^{\circ}\text{C}$ (212°F), mechanical seal
C*	Dual-suction, light shaft, external support		For all media with $T \leq 120^{\circ}\text{C}$ (248°F), mechanical seal

*This manual does not contain the PERFORMANCE DATA for "H" and "C" series twin screw pumps.

■ Size code

The pump size codes consist two parts: screw code and lead (mm) code. See below:



Defined by the nominal flow rate of each screw:

For single-suction: 160, 260, 360 (3 sizes)

For dual-suction: 150, 280, 560, 800, 1400, 2500, 4200
7000, 9800, 18000, 36000 (11 sizes)

Four or more lead codes for screws with same code; special lead required by customer is allowed.

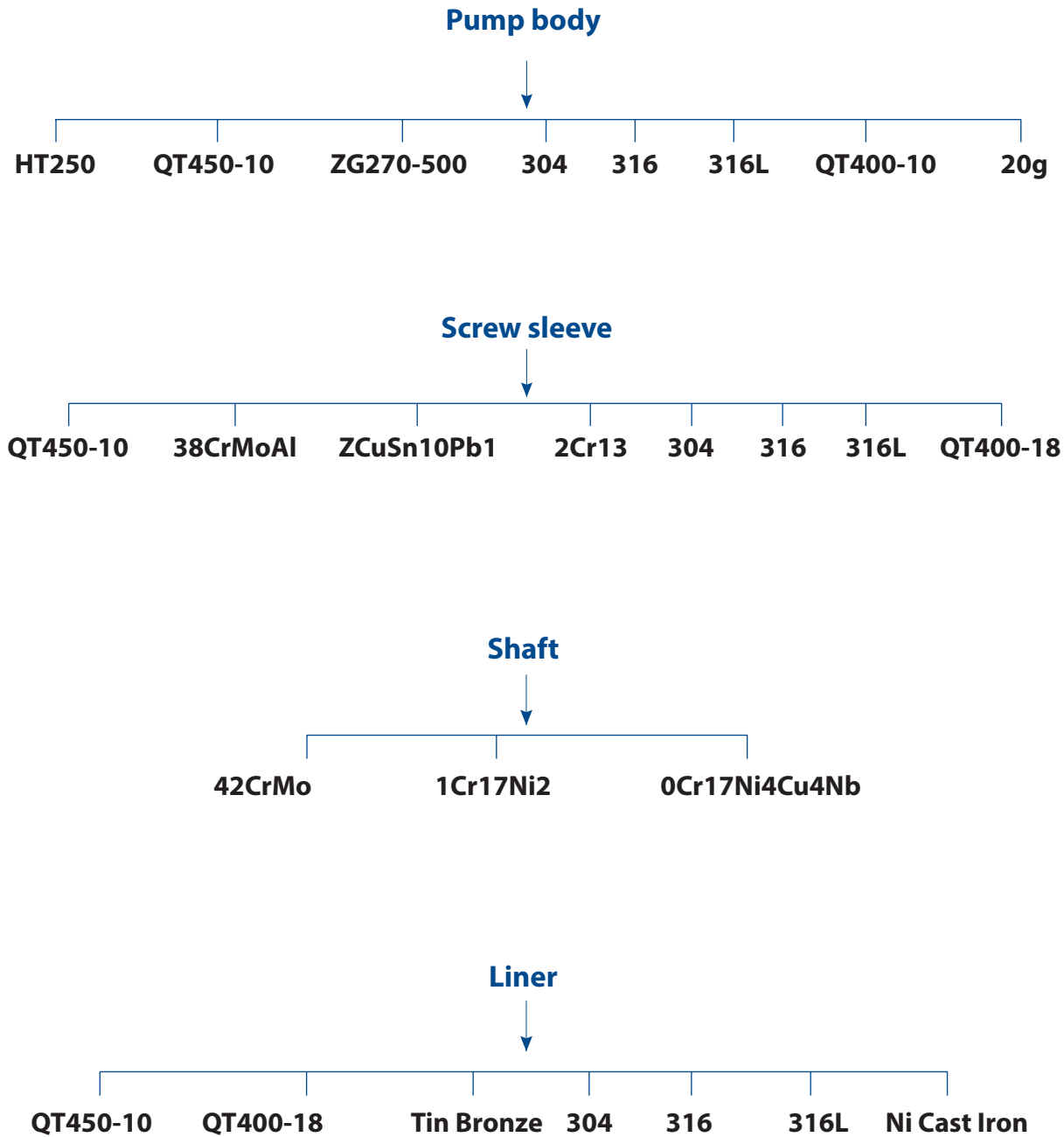
■ Seal code

Twin screw pumps can be used for many media, therefore require different seals. There are nine standard seals available for Blackmer twin screw pump. MT is used if additional seals are used. There are further structural and material options under each type of seal, which are determined by Blackmer engineers.

Code	Seal Type	Legend	Range	Code	Seal Type	Legend	Range
M0	Soft, packing seal		$v \leq 100000 \text{ mm}^2/\text{s}$ (cSt) $T \leq 150^\circ\text{C}$ (302°F)	M4	Metal bellows, high-temperature seal		$v \leq 100000 \text{ mm}^2/\text{s}$ (cSt) $T = 150\sim 400^\circ\text{C}$ (302-752°F)
M1	Single-end, non-balanced general seal		$v \leq 3000 \text{ mm}^2/\text{s}$ (cSt) $T = -20\sim 120^\circ\text{C}$ (4-248°F)	M5	Dual-end, non-balanced seal		$v \leq 10000 \text{ mm}^2/\text{s}$ (cSt) $T = -20\sim 120^\circ\text{C}$ (4-248°F)
M2	Single end balanced general seal		$v \leq 3000 \text{ mm}^2/\text{s}$ (cSt) $T = -20\sim 120^\circ\text{C}$ (4-248°F)	M6	Integrated, single-end seal		$v \leq 2000 \text{ mm}^2/\text{s}$ (cSt) $T \leq 120^\circ\text{C}$ (4-248°F)
M3	Single-end, non-balanced, high-temperature seal		$v \leq 2000 \text{ mm}^2/\text{s}$ (cSt) $T = 20\sim 200^\circ\text{C}$ (4-392°F)	M7	Integrated, dual, end seal		$v \leq 10000 \text{ mm}^2/\text{s}$ (cSt) $T \leq 120^\circ\text{C}$ (4-248°F)
M8	Special, soft packing seal		$v \leq 1000 \text{ mm}^2/\text{s}$ (cSt) $100^\circ\text{C} \leq T \leq 300^\circ\text{C}$ (212°F $\leq T \leq 572^\circ\text{F}$)	MT	Special seal		Per customer requirement

Materials of main parts

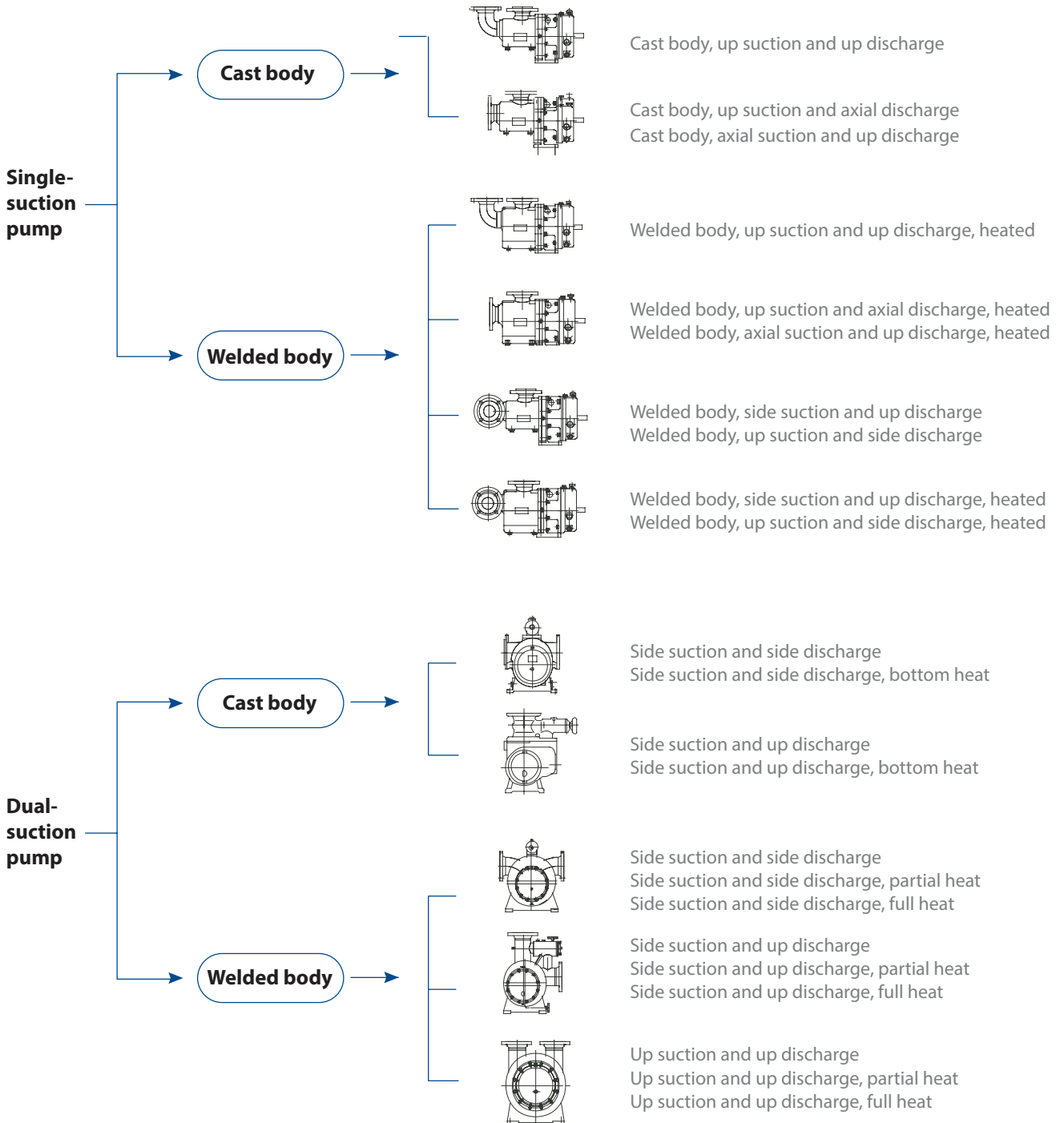
Regarding pump seals, twin screw pumps can be used for many media, therefore require different seals. There are nine standard seals available for Blackmer twin screw pumps. MT is used if additional seals are used. There are further structural and material options under each type of seal, which are determined by Blackmer engineers.

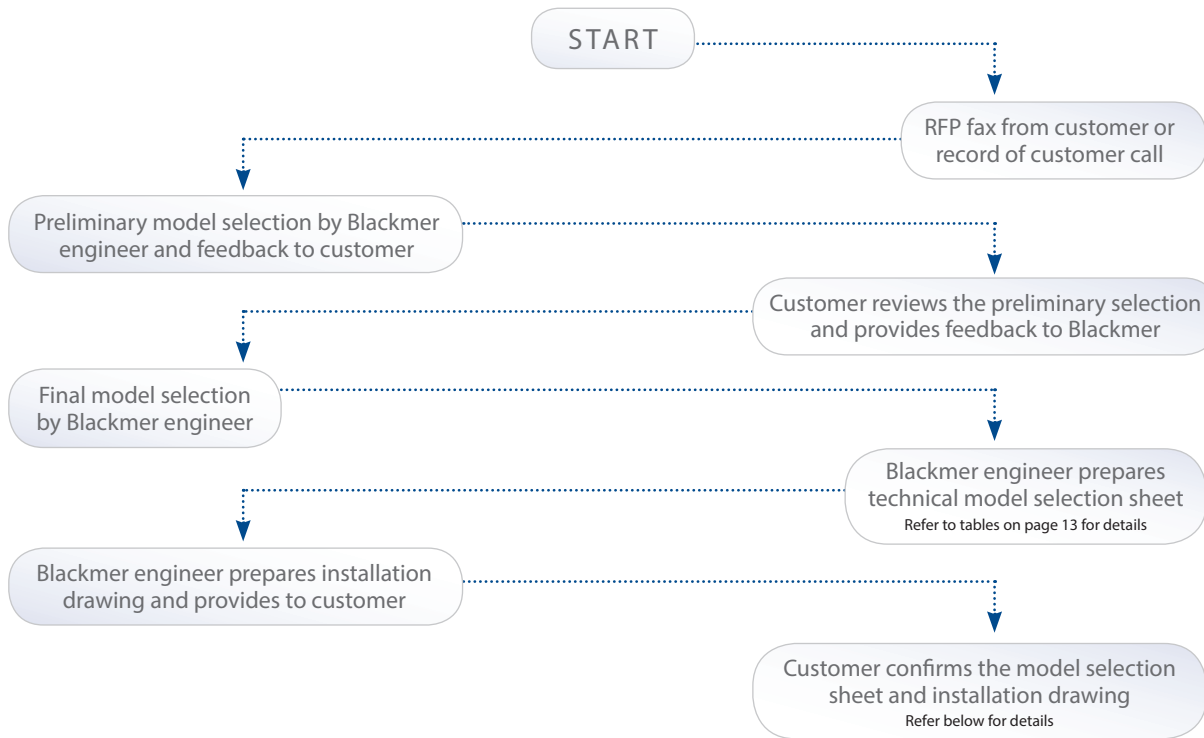


■ Structure code

The pump structure is determined by the position of suction and discharge ports, with or without a heating jacket, and the structure of the heating jacket.

For both single-suction twin screw pumps and dual-suction twin screw pumps, the pump body structures are either cast body or welded body. In general, welded body has a better heating performance than those of cast body because the heating jacket on the welded body is 50% larger than that of the cast body.





■ Customer confirms the model selection sheet and installation drawing.

Receiving party _____ Contact person _____ Phone _____ Fax _____
 Project number _____ Equipment number _____ Date _____
 2HM1400 YB160M Equipment drawing

Flange at suction and discharge ports
 GB/T17241.6-1998
 DN150, PN2.5

Media	Temperature	Viscosity	Model
RPM	Flow rate	Shaft power	Proof
Suction pressure	Discharge pressure	Pressure difference	Review
Motor			Date
Weight of the equipment	698 kg (1,529 lbs)	TWIN SCREW PUMP DESIGN MANUAL	



(Table I)

		DATA SHEET (Twin Screw Pump)			Doc. No.:		Rev.	Date	Prep.	Check	Appr.
					PROJECT TITLE:		PUMP PERFORMANCE CHARACTERISTICS				
CLIENT:		PROJECT TITLE:		PUMP TYPE:		RATED CAPACITY					
PROJECT NO.:		DOCUMENT NO.:		OPERATING CONDITIONS		NPSHr					
P.O. NO.:		TAG NO.:		Suction Pressure		Discharge Pressure					
SERVICE:		QUANTITY:		Differential Pressure		Speed					
				Viscosity		Absorbed Power					
				Required Driver (VHZ/ATEX Zone/Explosion-proof protective level /Required Certificate)		Model of Motor					
				Operating Temp.							
				PUMPED MEDIUM/FLUID							
				Medium							
				Solidifying Point							
				Flash Point							
				Specific Gravity							
				PH Value							
				Corrosive							
				Operating Temp.							
				CONSTRUCTION & INSTALLATION							
				Pump Construction							
				Heating System Construction							
				Cooling - down System Construction							
				Installation Mode		<input type="checkbox"/> Horizontal <input type="checkbox"/> Vertical <input type="checkbox"/> Indoor <input type="checkbox"/> Outdoor					
				Pump Rotation (facing driven end)		<input type="checkbox"/> Clockwise <input type="checkbox"/> Counterclockwise					
				MAIN PARTS MATERIALS							
				Casing:		Liner:		Shaft:		Screws:	
				Bearing Housing:							
				INSTRUCTIONS FOR SHAFT SEALING							
				Construction Mode							
				Additional Construction Mode							
				Main Materials							
				SCOPE OF SUPPLY							
				<input type="checkbox"/> Pump <input type="checkbox"/> Motor <input type="checkbox"/> Pedestal <input type="checkbox"/> Coupling <input type="checkbox"/> Relief Valve <input type="checkbox"/> Mating Flanges <input type="checkbox"/> Foundation Bolts <input type="checkbox"/> Special Tools <input type="checkbox"/> Commissioning Parts <input type="checkbox"/> Two-year spare parts							
				NOTES:							

NOTE: Please indicate the unit measurements as metric or U.S. Standard for all values.

CLIENT CONFIRMATION: _____ (Signature)

(Table I)

		DATA SHEET (Multiphase Pump)			Doc. No.:		Rev.	Date	Prep.	Check	Appr.
					PROJECT TITLE:		PUMP PERFORMANCE CHARACTERISTICS				
CLIENT:		PROJECT TITLE:		PUMP TYPE:		TOTAL CAPACITY					
PROJECT NO.:		DOCUMENT NO.:		OPERATING CONDITIONS		Suction Pressure					
P.O. NO.:		TAG NO.:		Oil Capacity		Discharge Pressure					
SERVICE:		QUANTITY:		Water Capacity		Differential Pressure					
				Standard Pressure		Pressure Ratio					
				GLR under Standard Pressure		Speed					
				Suction Pressure		Absorbed Power					
				GLR under Suction Pressure		Model of Motor					
				Operating ambient Temp. C (°F)		Geographic Location:					
				Altitude:		Temp.		Max. Humidity:		Min. Humidity:	
				Max. Temp.:		Min. Temp.:					
				CONSTRUCTION:							
				Cooling-down System Construction:							
				MAIN PARTS MATERIALS		Shaft		Screw		Casing	
						Liner		Bearing Housing			
				Construction Mode:							
				Main Materials:							
				INSTRUCTIONS FOR SHAFT SEALING							
				Required Driver:							

NOTE: Please indicate the unit measurements as metric or U.S. Standard for all values.

- The actual working conditions and lubricity of the media shall be identified for correct selection of the structure for the pump.
- Pump speed "n" is determined based on the viscosity (v) of the media under working temperature. In general, n = 1450 rpm is optimal for viscosities $\leq 1000 \text{ mm}^2/\text{s}$; cavitation redundancy shall considered when $1000 \leq v \leq 1500 \text{ mm}^2/\text{s}$; please contact Blackmer if $v > 1500 \text{ mm}^2/\text{s}$.
- Select specification of the pump from the performance table based on capacity and differential pressure.
- Search the cavitation redundancy table for NPSHr value based on the pump speed and viscosity.
- If the necessary cavitation redundancy value NPSHr is smaller than the NPSHa of the pipes, then the model selected is correct; if $\text{NPSHr} > \text{NPSHa}$, a larger pump or lower speed shall be selected and checked using the new NPSHr value.
- Once the specification of the pump is selected, search the table under corresponding viscosity (v) for the flow and shaft power under working differential pressure. Then select motor, and let the motor power $N2 \geq K \times N1$.

N1(kw)	≤ 10	$10 < N1 \leq 50$	> 50	> 100
K	1.25	1.2	1.15	1.1

- Once the pump and motor is selected, design the foundation based on the size of pump and motor.
- Pump system requires safety valves on piping.
- Check valve is required on discharge pipes.
- Bypass is required from pump discharge to suction.

Instructions and warnings for initial startup:

- Oil pumps are forbidden to test with water.
- Confirm the following before initial startup of the pump.

- The pipe between suction filter to suction is clean and free of weld slug and other foreign material;
- Check the alignment of pump-motor coupling, gently rotate the coupling manually, and check that pressure/vacuum meter is installed at the suction and the pressure meter is installed at the discharge;
- Before starting the pump, fully open the suction valve, discharge valve and bypass valve, and fill the pump with liquid and displace the air;
- Start and stop the motor to check the rotation direction;
- Slowly close the bypass valve if the pump runs smoothly after startup.

SECTION 8 A

CAVITATION REDUNDANCY TABLE

Specification	U.S. STANDARD											
	Speed = 950 rpm						Speed = 1450 rpm					
	Viscosity mm^2/s (cSt)						Viscosity mm^2/s (cSt)					
	≤ 35	75	150	350	750	1500	≤ 35	75	150	350	750	1500
NPSHr (ft)												
160-20	5.9	6.2	6.2	6.2	6.2	6.2	6.9	6.9	6.9	7.2	7.2	7.2
160-27	6.2	6.2	6.2	6.2	6.6	6.6	7.2	7.2	7.2	7.5	7.5	7.9
160-40	6.6	6.6	6.6	6.6	6.9	7.2	7.5	7.9	7.9	8.2	8.5	8.9
160-56	6.9	6.9	7.2	7.2	7.5	7.9	8.5	8.9	9.2	9.5	10.2	10.8
260-25	6.2	6.2	6.2	6.2	6.2	6.6	7.2	7.2	7.2	7.2	7.5	7.5
260-34	6.2	6.2	6.6	6.6	6.6	6.9	7.2	7.5	7.5	7.9	7.9	8.2
260-50	6.6	6.9	6.9	7.2	7.2	7.5	8.2	8.5	8.5	8.9	9.5	9.8
260-72	7.5	7.5	7.9	8.2	8.5	8.9	9.8	10.2	10.5	11.2	11.8	12.8
360-30	6.2	6.2	6.2	6.6	6.6	6.6	7.2	7.2	7.5	7.5	7.9	8.2
360-40	6.6	6.6	6.6	6.6	6.9	7.2	7.5	7.9	7.9	8.2	8.5	8.9
360-60	6.9	7.2	7.2	7.5	7.9	8.2	8.9	9.2	9.5	9.8	10.5	11.2
360-80	7.9	7.9	8.2	8.5	8.9	9.5	10.5	10.8	11.2	11.8	12.8	14.1
150-10	5.9	5.9	5.9	5.9	5.9	5.9	6.6	6.6	6.6	6.6	6.9	6.9
150-16	5.9	5.9	5.9	6.2	6.2	6.2	6.9	6.9	6.9	6.9	6.9	7.2
150-20	5.9	6.2	6.2	6.2	6.2	6.2	6.9	6.9	6.9	7.2	7.2	7.2
150-30	6.2	6.2	6.2	6.6	6.6	6.6	7.2	7.2	7.5	7.5	7.9	8.2

CAVITATION REDUNDANCY TABLE (CONT.)



U.S. STANDARD

Specification	Speed = 950 rpm						Speed = 1450 rpm					
	Viscosity mm ² /s (cSt)						Viscosity mm ² /s (cSt)					
	≤35	75	150	350	750	1500	≤35	75	150	350	750	1500
	NPSHr (ft)											
280-20	5.9	6.2	6.2	6.2	6.2	6.2	6.9	6.9	6.9	7.2	7.2	7.2
280-27	6.2	6.2	6.2	6.2	6.6	6.6	7.2	7.2	7.2	7.5	7.5	7.9
280-40	6.6	6.6	6.6	6.6	6.9	7.2	7.5	7.9	7.9	8.2	8.5	8.9
280-56	6.9	6.9	7.2	7.2	7.5	7.9	8.5	8.9	9.2	9.5	10.2	10.8
560-25	6.2	6.2	6.2	6.2	6.2	6.6	7.2	7.2	7.2	7.2	7.5	7.5
560-34	6.2	6.2	6.6	6.6	6.6	6.9	7.2	7.5	7.5	7.9	7.9	8.2
560-50	6.6	6.9	6.9	7.2	7.2	7.5	8.2	8.5	8.5	8.9	9.5	9.8
560-72	7.5	7.5	7.9	8.2	8.5	8.9	9.8	10.2	10.5	11.2	11.8	12.8
800-30	6.2	6.2	6.2	6.6	6.6	6.6	7.2	7.2	7.5	7.5	7.9	8.2
800-40	6.6	6.6	6.6	6.6	6.9	7.2	7.5	7.9	7.9	8.2	8.5	8.9
800-60	6.9	7.2	7.2	7.5	7.9	8.2	8.9	9.2	9.5	9.8	10.5	11.2
800-80	7.9	7.9	8.2	8.5	8.9	9.5	10.5	10.8	11.2	11.8	12.8	14.1
1400-38	6.2	6.6	6.6	6.6	6.9	6.9	7.5	7.5	7.9	8.2	8.2	8.9
1400-50	6.6	6.9	6.9	7.2	7.2	7.5	8.2	8.5	8.5	8.9	9.5	9.8
1400-75	7.5	7.5	7.9	8.2	8.5	9.2	9.8	10.2	10.8	11.5	12.1	13.1
1400-96	8.5	8.5	8.9	9.5	10.2	10.8	11.8	12.1	12.8	13.8	15.1	16.7
2500-43	6.6	6.6	6.6	6.9	6.9	7.2	7.9	7.9	8.2	8.5	8.9	9.2
2500-56	6.9	6.9	7.2	7.2	7.5	7.9	8.5	8.9	9.2	9.5	10.2	10.8
2500-85	7.9	8.2	8.2	8.9	9.2	9.8	10.8	11.2	11.8	12.5	13.4	14.8
2500-112	9.2	9.5	9.8	10.5	11.5	12.5	13.4	14.1	14.8	16.1	17.7	19.7
4200-50	6.6	6.9	6.9	7.2	7.2	7.5	8.2	8.5	8.5	8.9	9.5	9.8
4200-67	7.2	7.2	7.5	7.9	8.2	8.5	9.2	9.5	9.8	10.5	11.2	12.1
4200-96	8.5	8.5	8.9	9.5	10.2	10.8	11.8	12.1	12.8	13.8	15.1	16.7
4200-128	10.2	10.5	10.8	11.8	12.8	14.1	15.4	16.1	17.1	18.4	20.3	23.0
7000-40	6.6	6.6	6.6	6.6	6.9	7.2	7.5	7.9	7.9	8.2	8.5	8.9
7000-50	6.6	6.9	6.9	7.2	7.2	7.5	8.2	8.5	8.5	8.9	9.5	9.8
7000-67	7.2	7.2	7.5	7.9	8.2	8.5	9.2	9.5	9.8	10.5	11.2	12.1
7000-96	8.5	8.5	8.9	9.5	10.2	10.8	11.8	12.1	12.8	13.8	15.1	16.7
7000-128	10.2	10.5	10.8	11.8	12.8	14.1	15.4	16.1	17.1	18.4	20.3	23.0
7000-144	11.2	11.5	12.1	13.1	14.1	15.7	17.4	18.0	19.4	21.3	23.6	
9800-48	6.6	6.6	6.9	6.9	7.2	7.5	8.2	8.2	8.5	8.9	9.2	9.8
9800-60	6.9	7.2	7.2	7.5	7.9	8.2	8.9	9.2	9.5	9.8	10.5	11.2
9800-80	7.9	7.9	8.2	8.5	8.9	9.5	10.5	10.8	11.2	11.8	12.8	14.1
9800-120	9.5	9.8	10.5	11.2	12.1	13.1	14.4	15.1	15.7	17.4	19.0	21.3
9800-128	10.2	10.5	10.8	11.8	12.8	14.1	15.4	16.1	17.1	18.4	20.3	23.0
9800-144	11.2	11.5	12.1	13.1	14.1	15.7	17.4	18.0	19.4	21.3	23.6	
9800-170	12.8	13.4	14.1	15.4	17.1	18.7	21.0	22.0	23.6	25.9		
18000-67	7.2	7.2	7.5	7.9	8.2	8.5	9.5	9.5	9.8	10.5	11.2	12.1
18000-90	8.2	8.2	8.5	9.2	9.8	10.5	11.2	11.8	12.1	13.1	14.1	15.7
18000-135	10.5	10.8	11.5	12.1	13.4	14.8	16.1	17.1	18.0	19.7	21.6	24.3
18000-150	11.5	11.8	12.5	13.4	14.8	16.4	18.0	19.0	20.3	22.3	24.6	27.9
18000-170	12.8	13.4	14.1	15.4	17.1	18.7	21.0	22.0	23.6	25.9		
18000-192	14.4	15.1	16.1	17.4	19.4	21.6	24.6	25.9				
36000-75	7.5	7.5	7.9	8.2	8.5	9.2	9.8	10.2	10.8	11.5	12.1	13.1
36000-96	8.5	8.5	8.9	9.5	10.2	10.8	11.8	12.1	12.8	13.8	15.1	16.7
36000-100	8.5	8.9	9.2	9.8	10.5	11.2	12.1	12.8	13.4	14.4	15.7	17.4
36000-112	9.2	9.5	9.8	10.5	11.5	12.5	13.4	14.1	14.8	16.1	17.7	19.7
36000-128	10.2	10.5	10.8	11.8	12.8	14.1	15.4	16.1	17.1	18.4	20.3	23.0
36000-135	10.5	10.8	11.5	12.1	13.4	14.8	16.1	17.1	18.0	19.7	21.6	24.3
36000-150	11.5	11.8	12.5	13.4	14.8	16.4	18.0	19.0	20.3	22.3	24.6	
36000-170	12.8	13.4	14.1	15.4	17.1	18.7	21.0	22.0	23.6	25.9		
36000-192	14.4	15.1	16.1	17.4	19.4	21.6	24.6	25.9				
36000-210	15.7	16.7	17.7	19.4	21.6	24.3						



CAVITATION REDUNDANCY TABLE

METRIC

Specification	Speed = 950 rpm						Speed = 1450 rpm					
	Viscosity mm ² /s (cSt)						Viscosity mm ² /s (cSt)					
	≤35	75	150	350	750	1500	≤35	75	150	350	750	1500
	NPSHr (m)											
160-20	1.8	1.9	1.9	1.9	1.9	1.9	2.1	2.1	2.1	2.2	2.2	2.2
160-27	1.9	1.9	1.9	1.9	2.0	2.0	2.2	2.2	2.2	2.3	2.3	2.4
160-40	2.0	2.0	2.0	2.0	2.1	2.2	2.3	2.4	2.4	2.5	2.6	2.7
160-56	2.1	2.1	2.2	2.2	2.3	2.4	2.6	2.7	2.8	2.9	3.1	3.3
260-25	1.9	1.9	1.9	1.9	1.9	2.0	2.2	2.2	2.2	2.2	2.3	2.3
260-34	1.9	1.9	2.0	2.0	2.0	2.1	2.2	2.3	2.3	2.4	2.4	2.5
260-50	2.0	2.1	2.1	2.2	2.2	2.3	2.5	2.6	2.6	2.7	2.9	3.0
260-72	2.3	2.3	2.4	2.5	2.6	2.7	3.0	3.1	3.2	3.4	3.6	3.9
360-30	1.9	1.9	1.9	2.0	2.0	2.0	2.2	2.2	2.3	2.3	2.4	2.5
360-40	2.0	2.0	2.0	2.0	2.1	2.2	2.3	2.4	2.4	2.5	2.6	2.7
360-60	2.1	2.2	2.2	2.3	2.4	2.5	2.7	2.8	2.9	3.0	3.2	3.4
360-80	2.4	2.4	2.5	2.6	2.7	2.9	3.2	3.3	3.4	3.6	3.9	4.3
150-10	1.8	1.8	1.8	1.8	1.8	1.8	2.0	2.0	2.0	2.0	2.1	2.1
150-16	1.8	1.8	1.8	1.9	1.9	1.9	2.1	2.1	2.1	2.1	2.1	2.2
150-20	1.8	1.9	1.9	1.9	1.9	1.9	2.1	2.1	2.1	2.2	2.2	2.2
150-30	1.9	1.9	1.9	2.0	2.0	2.0	2.2	2.2	2.3	2.3	2.4	2.5
280-20	1.8	1.9	1.9	1.9	1.9	1.9	2.1	2.1	2.1	2.2	2.2	2.2
280-27	1.9	1.9	1.9	1.9	2.0	2.0	2.2	2.2	2.2	2.3	2.3	2.4
280-40	2.0	2.0	2.0	2.0	2.1	2.2	2.3	2.4	2.4	2.5	2.6	2.7
280-56	2.1	2.1	2.2	2.2	2.3	2.4	2.6	2.7	2.8	2.9	3.1	3.3
560-25	1.9	1.9	1.9	1.9	1.9	2.0	2.2	2.2	2.2	2.2	2.3	2.3
560-34	1.9	1.9	2.0	2.0	2.0	2.1	2.2	2.3	2.3	2.4	2.4	2.5
560-50	2.0	2.1	2.1	2.2	2.2	2.3	2.5	2.6	2.6	2.7	2.9	3.0
560-72	2.3	2.3	2.4	2.5	2.6	2.7	3.0	3.1	3.2	3.4	3.6	3.9
800-30	1.9	1.9	1.9	2.0	2.0	2.0	2.2	2.2	2.3	2.3	2.4	2.5
800-40	2.0	2.0	2.0	2.0	2.1	2.2	2.3	2.4	2.4	2.5	2.6	2.7
800-60	2.1	2.2	2.2	2.3	2.4	2.5	2.7	2.8	2.9	3.0	3.2	3.4
800-80	2.4	2.4	2.5	2.6	2.7	2.9	3.2	3.3	3.4	3.6	3.9	4.3
1400-38	1.9	2.0	2.0	2.0	2.1	2.1	2.3	2.3	2.4	2.5	2.5	2.7
1400-50	2.0	2.1	2.1	2.2	2.2	2.3	2.5	2.6	2.6	2.7	2.9	3.0
1400-75	2.3	2.3	2.4	2.5	2.6	2.8	3.0	3.1	3.3	3.5	3.7	4.0
1400-96	2.6	2.6	2.7	2.9	3.1	3.3	3.6	3.7	3.9	4.2	4.6	5.1
2500-43	2.0	2.0	2.0	2.1	2.1	2.2	2.4	2.4	2.5	2.6	2.7	2.8
2500-56	2.1	2.1	2.2	2.2	2.3	2.4	2.6	2.7	2.8	2.9	3.1	3.3
2500-85	2.4	2.5	2.5	2.7	2.8	3.0	3.3	3.4	3.6	3.8	4.1	4.5
2500-112	2.8	2.9	3.0	3.2	3.5	3.8	4.1	4.3	4.5	4.9	5.4	6.0
4200-50	2.0	2.1	2.1	2.2	2.2	2.3	2.5	2.6	2.6	2.7	2.9	3.0
4200-67	2.2	2.2	2.3	2.4	2.5	2.6	2.8	2.9	3.0	3.2	3.4	3.7
4200-96	2.6	2.6	2.7	2.9	3.1	3.3	3.6	3.7	3.9	4.2	4.6	5.1
4200-128	3.1	3.2	3.3	3.6	3.9	4.3	4.7	4.9	5.2	5.6	6.2	7.0
7000-40	2.0	2.0	2.0	2.0	2.1	2.2	2.3	2.4	2.4	2.5	2.6	2.7
7000-50	2.0	2.1	2.1	2.2	2.2	2.3	2.5	2.6	2.6	2.7	2.9	3.0
7000-67	2.2	2.2	2.3	2.4	2.5	2.6	2.8	2.9	3.0	3.2	3.4	3.7
7000-96	2.6	2.6	2.7	2.9	3.1	3.3	3.6	3.7	3.9	4.2	4.6	5.1
7000-128	3.1	3.2	3.3	3.6	3.9	4.3	4.7	4.9	5.2	5.6	6.2	7.0
7000-144	3.4	3.5	3.7	4.0	4.3	4.8	5.3	5.5	5.9	6.5	7.2	
9800-48	2.0	2.0	2.1	2.1	2.2	2.3	2.5	2.5	2.6	2.7	2.8	3.0
9800-60	2.1	2.2	2.2	2.3	2.4	2.5	2.7	2.8	2.9	3.0	3.2	3.4
9800-80	2.4	2.4	2.5	2.6	2.7	2.9	3.2	3.3	3.4	3.6	3.9	4.3
9800-120	2.9	3.0	3.2	3.4	3.7	4.0	4.4	4.6	4.8	5.3	5.8	6.5
9800-128	3.1	3.2	3.3	3.6	3.9	4.3	4.7	4.9	5.2	5.6	6.2	7.0
9800-144	3.4	3.5	3.7	4.0	4.3	4.8	5.3	5.5	5.9	6.5	7.2	
9800-170	3.9	4.1	4.3	4.7	5.2	5.7	6.4	6.7	7.2	7.9		

CAVITATION REDUNDANCY TABLE (CONT.)



Specification	METRIC											
	Speed = 950 rpm						Speed = 1450 rpm					
	Viscosity mm ² /s (cSt)						Viscosity mm ² /s (cSt)					
	≤35	75	150	350	750	1500	≤35	75	150	350	750	1500
NPSHr (m)												
9800-48	2.0	2.0	2.1	2.1	2.2	2.3	2.5	2.5	2.6	2.7	2.8	3.0
9800-60	2.1	2.2	2.2	2.3	2.4	2.5	2.7	2.8	2.9	3.0	3.2	3.4
9800-80	2.4	2.4	2.5	2.6	2.7	2.9	3.2	3.3	3.4	3.6	3.9	4.3
9800-120	2.9	3.0	3.2	3.4	3.7	4.0	4.4	4.6	4.8	5.3	5.8	6.5
9800-128	3.1	3.2	3.3	3.6	3.9	4.3	4.7	4.9	5.2	5.6	6.2	7.0
9800-144	3.4	3.5	3.7	4.0	4.3	4.8	5.3	5.5	5.9	6.5	7.2	
9800-170	3.9	4.1	4.3	4.7	5.2	5.7	6.4	6.7	7.2	7.9		
18000-67	2.2	2.2	2.3	2.4	2.5	2.6	2.9	2.9	3.0	3.2	3.4	3.7
18000-90	2.5	2.5	2.6	2.8	3.0	3.2	3.4	3.6	3.7	4.0	4.3	4.8
18000-135	3.2	3.3	3.5	3.7	4.1	4.5	4.9	5.2	5.5	6.0	6.6	7.4
18000-150	3.5	3.6	3.8	4.1	4.5	5.0	5.5	5.8	6.2	6.8	7.5	8.5
18000-170	3.9	4.1	4.3	4.7	5.2	5.7	6.4	6.7	7.2	7.9		
18000-192	4.4	4.6	4.9	5.3	5.9	6.6	7.5	7.9				
36000-75	2.3	2.3	2.4	2.5	2.6	2.8	3.0	3.1	3.3	3.5	3.7	4.0
36000-96	2.6	2.6	2.7	2.9	3.1	3.3	3.6	3.7	3.9	4.2	4.6	5.1
36000-100	2.6	2.7	2.8	3.0	3.2	3.4	3.7	3.9	4.1	4.4	4.8	5.3
36000-112	2.8	2.9	3.0	3.2	3.5	3.8	4.1	4.3	4.5	4.9	5.4	6.0
36000-128	3.1	3.2	3.3	3.6	3.9	4.3	4.7	4.9	5.2	5.6	6.2	7.0
36000-135	3.2	3.3	3.5	3.7	4.1	4.5	4.9	5.2	5.5	6.0	6.6	7.4
36000-150	3.5	3.6	3.8	4.1	4.5	5.0	5.5	5.8	6.2	6.8	7.5	
36000-170	3.9	4.1	4.3	4.7	5.2	5.7	6.4	6.7	7.2	7.9		
36000-192	4.4	4.6	4.9	5.3	5.9	6.6	7.5	7.9				
36000-210	4.8	5.1	5.4	5.9	6.6	7.4						



SECTION 8 B

150 PERFORMANCE @ 50Hz

U.S. STANDARD

Speed n=950 rpm

Specification	Pressure ΔP PSI	Viscosity (mm ² /s) (cSt)															
		75		150		300		500		750		1000		1500		2000	
		Capacity GPM	Power HP	Capacity GPM	Power HP	Capacity GPM	Power HP	Capacity GPM	Power HP	Capacity GPM	Power HP	Capacity GPM	Power HP	Capacity GPM	Power HP	Capacity GPM	Power HP
150-10	29.0	7.9	1.0	7.9	1.3	8.0	1.6	8.0	1.8	8.1	2.1	8.1	2.2	8.1	2.3	8.1	2.4
	58.0	7.6	1.2	7.7	1.4	7.8	1.7	7.9	2.0	7.9	2.2	8.0	2.3	8.0	2.5	8.0	2.6
	87.0	7.4	1.3	7.6	1.6	7.7	1.8	7.8	2.1	7.8	2.3	7.9	2.5	7.9	2.6	7.9	2.7
	116.0	7.2	1.5	7.4	1.7	7.6	2.0	7.7	2.3	7.7	2.5	7.8	2.6	7.8	2.8	7.9	2.9
	145.0	7.0	1.6	7.3	1.9	7.4	2.1	7.6	2.4	7.7	2.6	7.7	2.7	7.8	2.9	7.8	3.0
	174.0	6.8	1.8	7.1	2.0	7.4	2.3	7.5	2.5	7.6	2.8	7.6	2.9	7.7	3.1	7.7	3.2
	203.1	6.7	1.9	7.0	2.1	7.3	2.4	7.4	2.7	7.5	2.9	7.6	3.0	7.7	3.2	7.7	3.3
	232.1	6.5	2.1	6.9	2.3	7.1	2.6	7.3	2.8	7.4	3.1	7.5	3.2	7.6	3.4	7.7	3.5
	261.1	6.3	2.2	6.7	2.4	7.0	2.7	7.2	3.0	7.4	3.2	7.4	3.3	7.5	3.5	7.6	3.6
	290.1	6.2	2.3	6.6	2.6	7.0	2.9	7.1	3.1	7.3	3.4	7.4	3.5	7.5	3.6	7.5	3.8
	319.1			6.5	2.7	6.9	3.0	7.0	3.3	7.2	3.5	7.3	3.6	7.4	3.8	7.5	3.9
348.1			6.4	2.9	6.7	3.2	7.0	3.4	7.1	3.7	7.2	3.8	7.4	3.9	7.4	4.0	
150-16	29.0	12.6	1.3	12.7	1.6	12.8	1.9	12.9	2.2	12.9	2.5	12.9	2.6	12.9	2.8	13.0	3.0
	58.0	12.2	1.5	12.4	1.8	12.6	2.1	12.7	2.4	12.7	2.7	12.8	2.9	12.8	3.0	12.9	3.2
	87.0	11.9	1.8	12.2	2.0	12.4	2.4	12.5	2.7	12.6	3.0	12.6	3.1	12.7	3.3	12.7	3.4
	116.0	11.6	2.0	11.9	2.3	12.2	2.6	12.3	2.9	12.5	3.2	12.5	3.3	12.6	3.5	12.6	3.7
	145.0	11.4	2.2	11.7	2.5	12.0	2.8	12.2	3.1	12.3	3.4	12.4	3.6	12.5	3.8	12.5	3.9
	174.0	11.1	2.5	11.5	2.7	11.8	3.1	12.1	3.4	12.2	3.7	12.3	3.8	12.4	4.0	12.5	4.1
	203.1	10.8	2.7	11.3	3.0	11.7	3.3	11.9	3.6	12.1	3.9	12.2	4.0	12.3	4.2	12.4	4.4
	232.1	10.6	2.9	11.1	3.2	11.5	3.5	11.8	3.8	12.0	4.1	12.1	4.3	12.2	4.5	12.3	4.6
	261.1	10.3	3.2	10.9	3.4	11.4	3.8	11.7	4.1	11.8	4.4	12.0	4.5	12.1	4.7	12.2	4.8
	290.1	10.1	3.4	10.7	3.7	11.2	4.0	11.5	4.3	11.8	4.6	11.9	4.7	12.0	4.9	12.2	5.1
	319.1			10.6	3.9	11.1	4.2	11.4	4.5	11.6	4.8	11.8	5.0	11.9	5.2	12.1	5.3
348.1			10.4	4.1	11.0	4.5	11.3	4.8	11.5	5.1	11.7	5.2	11.9	5.4	12.0	5.5	
150-20	29.0	15.3	1.4	15.4	1.7	15.5	2.1	15.5	2.4	15.6	2.7	15.6	2.8	15.7	3.0	15.7	3.2
	58.0	14.8	1.7	15.1	2.0	15.2	2.3	15.3	2.7	15.4	3.0	15.5	3.1	15.5	3.3	15.5	3.5
	87.0	14.4	2.0	14.7	2.3	15.0	2.6	15.1	3.0	15.2	3.2	15.3	3.4	15.4	3.6	15.4	3.7
	116.0	14.1	2.2	14.5	2.5	14.7	2.9	14.9	3.2	15.1	3.5	15.1	3.7	15.2	3.9	15.3	4.0
	145.0	13.8	2.5	14.2	2.8	14.6	3.2	14.8	3.5	14.9	3.8	15.0	3.9	15.1	4.2	15.2	4.3
	174.0	13.5	2.8	14.0	3.1	14.4	3.5	14.6	3.8	14.8	4.1	14.9	4.2	15.0	4.4	15.1	4.6
	203.1	13.2	3.1	13.7	3.4	14.2	3.8	14.4	4.1	14.6	4.4	14.7	4.5	14.9	4.7	15.0	4.9
	232.1	12.9	3.4	13.5	3.7	14.0	4.0	14.3	4.4	14.5	4.7	14.6	4.8	14.8	5.0	14.9	5.2
150-30	29.0	22.6	1.8	22.8	2.1	22.9	2.6	23.0	3.0	23.1	3.4	23.2	3.5	23.2	3.8	23.2	4.0
	58.0	21.9	2.2	22.2	2.5	22.5	3.0	22.7	3.4	22.8	3.8	22.9	3.9	22.9	4.2	23.0	4.4
	87.0	21.3	2.6	21.8	3.0	22.1	3.4	22.4	3.8	22.5	4.2	22.6	4.3	22.7	4.6	22.8	4.8
	116.0	20.8	3.0	21.4	3.4	21.8	3.8	22.1	4.2	22.3	4.6	22.4	4.8	22.5	5.0	22.6	5.2
	145.0	20.3	3.5	21.0	3.8	21.5	4.3	21.8	4.7	22.0	5.0	22.2	5.2	22.4	5.4	22.5	5.6
	174.0	19.8	3.9	20.6	4.2	21.2	4.7	21.5	5.1	21.8	5.4	22.0	5.6	22.2	5.9	22.3	6.0

Blackmer reserves the right to change the data in the table without prior notice.

Speed n=950 rpm

METRIC

Specification	Pressure ΔP bar	Viscosity (mm ² /s) (cSt)																
		75		150		300		500		750		1000		1500		2000		
		Capacity m ³ /h	Power kW	Capacity m ³ /h	Power kW	Capacity m ³ /h	Power kW	Capacity m ³ /h	Power kW	Capacity m ³ /h	Power kW	Capacity m ³ /h	Power kW	Capacity m ³ /h	Power kW	Capacity m ³ /h	Power kW	
150-10	2	1.8	0.8	1.8	0.9	1.8	1.2	1.8	1.4	1.8	1.5	1.8	1.6	1.8	1.7	1.8	1.8	
	4	1.7	0.9	1.8	1.1	1.8	1.3	1.8	1.5	1.8	1.6	1.8	1.7	1.8	1.8	1.8	1.8	1.9
	6	1.7	1.0	1.7	1.2	1.8	1.4	1.8	1.6	1.8	1.8	1.8	1.8	1.8	2.0	1.8	2.0	
	8	1.6	1.1	1.7	1.3	1.7	1.5	1.7	1.7	1.8	1.9	1.8	1.9	1.8	2.1	1.8	2.2	
	10	1.6	1.2	1.7	1.4	1.7	1.6	1.7	1.8	1.7	2.0	1.8	2.1	1.8	2.2	1.8	2.3	
	12	1.6	1.3	1.6	1.5	1.7	1.7	1.7	1.9	1.7	2.1	1.7	2.2	1.8	2.3	1.8	2.4	
	14	1.5	1.4	1.6	1.6	1.7	1.8	1.7	2.0	1.7	2.2	1.7	2.3	1.7	2.4	1.8	2.5	
	16	1.5	1.5	1.6	1.7	1.6	1.9	1.7	2.1	1.7	2.3	1.7	2.4	1.7	2.5	1.7	2.6	
	18	1.4	1.6	1.5	1.8	1.6	2.0	1.6	2.2	1.7	2.4	1.7	2.5	1.7	2.6	1.7	2.7	
	20	1.4	1.8	1.5	1.9	1.6	2.1	1.6	2.3	1.7	2.5	1.7	2.6	1.7	2.7	1.7	2.8	
	22			1.5	2.0	1.6	2.3	1.6	2.4	1.6	2.6	1.7	2.7	1.7	2.8	1.7	2.9	
24			1.5	2.1	1.5	2.4	1.6	2.6	1.6	2.7	1.6	2.8	1.7	2.9	1.7	3.0		
150-16	2	2.9	1.0	2.9	1.2	2.9	1.4	2.9	1.6	2.9	1.9	2.9	2.0	2.9	2.1	3.0	2.2	
	4	2.8	1.1	2.8	1.3	2.9	1.6	2.9	1.8	2.9	2.0	2.9	2.1	2.9	2.3	2.9	2.4	
	6	2.7	1.3	2.8	1.5	2.8	1.8	2.8	2.0	2.9	2.2	2.9	2.3	2.9	2.5	2.9	2.6	
	8	2.6	1.5	2.7	1.7	2.8	1.9	2.8	2.2	2.8	2.4	2.8	2.5	2.9	2.6	2.9	2.7	
	10	2.6	1.7	2.7	1.9	2.7	2.1	2.8	2.3	2.8	2.6	2.8	2.7	2.8	2.8	2.9	2.9	
	12	2.5	1.8	2.6	2.0	2.7	2.3	2.7	2.5	2.8	2.7	2.8	2.8	2.8	3.0	2.8	3.1	
	14	2.5	2.0	2.6	2.2	2.7	2.5	2.7	2.7	2.7	2.9	2.8	3.0	2.8	3.2	2.8	3.3	
	16	2.4	2.2	2.5	2.4	2.6	2.6	2.7	2.9	2.7	3.1	2.7	3.2	2.8	3.3	2.8	3.4	
	18	2.4	2.4	2.5	2.6	2.6	2.8	2.7	3.0	2.7	3.3	2.7	3.4	2.8	3.5	2.8	3.6	
	20	2.3	2.5	2.4	2.7	2.6	3.0	2.6	3.2	2.7	3.4	2.7	3.5	2.7	3.7	2.8	3.8	
	22			2.4	2.9	2.5	3.2	2.6	3.4	2.6	3.6	2.7	3.7	2.7	3.9	2.7	4.0	
24			2.4	3.1	2.5	3.3	2.6	3.6	2.6	3.8	2.7	3.9	2.7	4.0	2.7	4.1		
150-20	2	3.5	1.0	3.5	1.3	3.5	1.5	3.5	1.8	3.5	2.0	3.6	2.1	3.6	2.3	3.6	2.4	
	4	3.4	1.3	3.4	1.5	3.5	1.7	3.5	2.0	3.5	2.2	3.5	2.3	3.5	2.5	3.5	2.6	
	6	3.3	1.5	3.4	1.7	3.4	2.0	3.4	2.2	3.5	2.4	3.5	2.5	3.5	2.7	3.5	2.8	
	8	3.2	1.7	3.3	1.9	3.4	2.2	3.4	2.4	3.4	2.6	3.4	2.7	3.5	2.9	3.5	3.0	
	10	3.1	1.9	3.2	2.1	3.3	2.4	3.4	2.6	3.4	2.8	3.4	2.9	3.4	3.1	3.5	3.2	
	12	3.1	2.1	3.2	2.3	3.3	2.6	3.3	2.8	3.4	3.1	3.4	3.2	3.4	3.3	3.4	3.4	
	14	3.0	2.3	3.1	2.5	3.2	2.8	3.3	3.0	3.3	3.3	3.4	3.4	3.4	3.5	3.4	3.6	
	16	2.9	2.5	3.1	2.7	3.2	3.0	3.3	3.3	3.3	3.5	3.3	3.6	3.4	3.7	3.4	3.9	
150-30	2	5.1	1.3	5.2	1.6	5.2	1.9	5.2	2.2	5.3	2.5	5.3	2.6	5.3	2.8	5.3	3.0	
	4	5.0	1.6	5.1	1.9	5.1	2.2	5.2	2.5	5.2	2.8	5.2	2.9	5.2	3.1	5.2	3.3	
	6	4.8	2.0	5.0	2.2	5.0	2.6	5.1	2.9	5.1	3.1	5.1	3.2	5.2	3.4	5.2	3.6	
	8	4.7	2.3	4.9	2.5	5.0	2.9	5.0	3.2	5.1	3.4	5.1	3.6	5.1	3.8	5.1	3.9	
	10	4.6	2.6	4.8	2.8	4.9	3.2	5.0	3.5	5.0	3.8	5.0	3.9	5.1	4.1	5.1	4.2	
	12	4.5	2.9	4.7	3.2	4.8	3.5	4.9	3.8	5.0	4.1	5.0	4.2	5.0	4.4	5.1	4.5	



U.S. STANDARD

Speed n=950 rpm

Specification	Pressure ΔP PSI	Viscosity (mm ² /s) (cSt)															
		75		150		300		500		750		1000		1500		2000	
		Capacity GPM	Power HP	Capacity GPM	Power HP	Capacity GPM	Power HP	Capacity GPM	Power HP	Capacity GPM	Power HP	Capacity GPM	Power HP	Capacity GPM	Power HP	Capacity GPM	Power HP
160-20	29.0	10.9	1.2	11.2	1.5	11.4	1.8	11.5	2.1	11.6	2.4	11.7	2.5	11.7	2.7	11.8	2.9
	43.5	10.4	1.3	10.8	1.6	11.1	1.9	11.3	2.3	11.4	2.5	11.4	2.7	11.6	2.9	11.6	3.0
	58.0	10.0	1.4	10.5	1.7	10.8	2.1	11.1	2.4	11.2	2.6	11.3	2.8	11.4	3.0	11.5	3.1
	72.5	9.6	1.5	10.2	1.8	10.6	2.2	10.8	2.5	11.0	2.7	11.1	2.9	11.3	3.1	11.4	3.2
	87.0	9.2	1.6	9.9	1.9	10.3	2.3	10.7	2.6	10.8	2.8	11.0	3.0	11.1	3.2	11.2	3.3
	101.5	8.9	1.8	9.6	2.0	10.1	2.4	10.4	2.7	10.7	3.0	10.8	3.1	11.0	3.3	11.1	3.4
	116.0	8.5	1.9	9.3	2.1	9.9	2.5	10.3	2.8	10.5	3.0	10.7	3.2	10.9	3.4	11.0	3.5
	130.5	8.2	2.0	9.0	2.2	9.7	2.6	10.1	2.9	10.3	3.2	10.5	3.3	10.7	3.5	10.9	3.6
	145.0	7.9	2.1	8.8	2.3	9.5	2.7	9.9	3.0	10.2	3.3	10.4	3.4	10.6	3.6	10.7	3.7
160-27	29.0	14.7	1.3	15.1	1.6	15.3	2.0	15.5	2.3	15.6	2.6	15.7	2.7	15.8	2.9	15.8	3.0
	43.5	14.2	1.5	14.6	1.8	15.0	2.1	15.2	2.4	15.3	2.7	15.4	2.8	15.5	3.0	15.6	3.2
	58.0	13.6	1.6	14.2	1.9	14.6	2.2	14.9	2.6	15.1	2.8	15.2	3.0	15.4	3.2	15.5	3.3
	72.5	13.1	1.8	13.8	2.0	14.3	2.4	14.7	2.7	14.9	3.0	15.0	3.1	15.2	3.3	15.3	3.5
	87.0	12.7	1.9	13.4	2.2	14.0	2.5	14.4	2.8	14.7	3.1	14.8	3.2	15.0	3.4	15.1	3.6
	101.5	12.2	2.0	13.1	2.3	13.7	2.7	14.1	3.0	14.4	3.3	14.6	3.4	14.8	3.6	15.0	3.7
	116.0		0.0	12.7	2.5	13.5	2.8	13.9	3.1	14.2	3.4	14.4	3.5	14.7	3.7	14.8	3.9
160-40	29.0	22.4	1.6	22.9	1.9	23.2	2.3	23.4	2.6	23.6	3.0	23.6	3.1	23.7	3.3	23.8	3.5
	43.5	21.6	1.8	22.2	2.1	22.7	2.5	23.0	2.8	23.2	3.2	23.3	3.3	23.5	3.5	23.6	3.7
	58.0	20.9	2.0	21.7	2.3	22.3	2.7	22.6	3.0	22.9	3.4	23.0	3.5	23.2	3.7	23.3	3.9
	72.5	20.3	2.2	21.1	2.5	21.8	2.9	22.3	3.3	22.5	3.6	22.7	3.7	23.0	3.9	23.1	4.1
	87.0	19.6	2.4	20.6	2.7	21.4	3.1	21.9	3.5	22.3	3.8	22.5	3.9	22.7	4.1	22.9	4.3
160-56	29.0	31.3	1.9	31.9	2.3	32.4	2.7	32.7	3.1	32.9	3.5	33.0	3.6	33.2	3.9	33.3	4.1
	43.5	30.3	2.2	31.1	2.6	31.7	3.0	32.1	3.4	32.4	3.8	32.6	3.9	32.8	4.2	32.9	4.4
	58.0	29.3	2.5	30.3	2.9	31.2	3.3	31.7	3.7	32.0	4.0	32.2	4.2	32.4	4.5	32.6	4.7
	72.5	28.4	2.8	29.6	3.1	30.6	3.6	31.2	4.0	31.6	4.3	31.8	4.5	32.1	4.8	32.3	4.9

Blackmer reserves the right to change the data in the table without prior notice.

Speed n=950 rpm

METRIC

Specification	Pressure ΔP bar	Viscosity (mm ² /s) (cSt)															
		75		150		300		500		750		1000		1500		2000	
		Capacity m ³ /h	Power kW	Capacity m ³ /h	Power kW	Capacity m ³ /h	Power kW	Capacity m ³ /h	Power kW	Capacity m ³ /h	Power kW	Capacity m ³ /h	Power kW	Capacity m ³ /h	Power kW	Capacity m ³ /h	Power kW
160-20	2	2.5	0.9	2.5	1.1	2.6	1.4	2.6	1.6	2.6	1.8	2.7	1.9	2.7	2.1	2.7	2.2
	3	2.4	1.0	2.5	1.2	2.5	1.5	2.6	1.7	2.6	1.9	2.6	2.0	2.6	2.1	2.6	2.2
	4	2.3	1.1	2.4	1.3	2.5	1.5	2.5	1.8	2.5	2.0	2.6	2.1	2.6	2.2	2.6	2.3
	5	2.2	1.2	2.3	1.4	2.4	1.6	2.5	1.8	2.5	2.0	2.5	2.1	2.6	2.3	2.6	2.4
	6	2.1	1.2	2.2	1.4	2.4	1.7	2.4	1.9	2.5	2.1	2.5	2.2	2.5	2.4	2.6	2.5
	7	2.0	1.3	2.2	1.5	2.3	1.8	2.4	2.0	2.4	2.2	2.5	2.3	2.5	2.4	2.5	2.5
	8	1.9	1.4	2.1	1.6	2.3	1.8	2.3	2.1	2.4	2.3	2.4	2.4	2.5	2.5	2.5	2.6
	9	1.9	1.5	2.1	1.7	2.2	1.9	2.3	2.1	2.4	2.4	2.4	2.4	2.4	2.6	2.5	2.7
	10	1.8	1.5	2.0	1.7	2.2	2.0	2.3	2.2	2.3	2.4	2.4	2.5	2.4	2.7	2.4	2.8
	160-27	2	3.4	1.0	3.4	1.2	3.5	1.5	3.5	1.7	3.5	1.9	3.6	2.0	3.6	2.2	3.6
3		3.2	1.1	3.3	1.3	3.4	1.6	3.5	1.8	3.5	2.0	3.5	2.1	3.5	2.3	3.6	2.4
4		3.1	1.2	3.2	1.4	3.3	1.7	3.4	1.9	3.4	2.1	3.5	2.2	3.5	2.4	3.5	2.5
5		3.0	1.3	3.1	1.5	3.3	1.8	3.3	2.0	3.4	2.2	3.4	2.3	3.5	2.5	3.5	2.6
6		2.9	1.4	3.1	1.6	3.2	1.9	3.3	2.1	3.3	2.3	3.4	2.4	3.4	2.6	3.4	2.7
7		2.8	1.5	3.0	1.7	3.1	2.0	3.2	2.2	3.3	2.4	3.3	2.5	3.4	2.7	3.4	2.8
8				2.9	1.8	3.1	2.1	3.2	2.3	3.2	2.5	3.3	2.6	3.3	2.8	3.4	2.9
9																	
160-40	2	5.1	1.2	5.2	1.4	5.3	1.7	5.3	2.0	5.4	2.2	5.4	2.3	5.4	2.5	5.4	2.6
	3	4.9	1.3	5.1	1.6	5.2	1.9	5.2	2.1	5.3	2.4	5.3	2.5	5.3	2.6	5.4	2.8
	4	4.8	1.5	4.9	1.7	5.1	2.0	5.1	2.3	5.2	2.5	5.2	2.6	5.3	2.8	5.3	2.9
	5	4.6	1.7	4.8	1.9	5.0	2.2	5.1	2.4	5.1	2.7	5.2	2.8	5.2	2.9	5.3	3.1
	6	4.5	1.8	4.7	2.0	4.9	2.3	5.0	2.6	5.1	2.8	5.1	2.9	5.2	3.1	5.2	3.2
	7																
160-56	2	7.1	1.4	7.3	1.7	7.4	2.0	7.4	2.3	7.5	2.6	7.5	2.7	7.5	2.9	7.6	3.0
	3	6.9	1.7	7.1	1.9	7.2	2.2	7.3	2.5	7.4	2.8	7.4	2.9	7.5	3.1	7.5	3.3
	4	6.7	1.9	6.9	2.1	7.1	2.5	7.2	2.8	7.3	3.0	7.3	3.1	7.4	3.3	7.4	3.5
	5	6.5	2.1	6.7	2.3	7.0	2.7	7.1	3.0	7.2	3.2	7.2	3.4	7.3	3.6	7.3	3.7
	6																



U.S. STANDARD

Speed n=950 rpm

Specification	Pressure ΔP PSI	Viscosity (mm ² /s) (cSt)															
		75		150		300		500		750		1000		1500		2000	
		Capacity GPM	Power HP	Capacity GPM	Power HP	Capacity GPM	Power HP	Capacity GPM	Power HP	Capacity GPM	Power HP	Capacity GPM	Power HP	Capacity GPM	Power HP	Capacity GPM	Power HP
260-25	29.0	22.0	1.8	22.5	2.1	22.8	2.5	23.1	2.9	23.2	3.3	23.3	3.5	23.4	3.7	23.5	3.9
	43.5	21.2	2.0	21.8	2.3	22.3	2.7	22.6	3.1	22.9	3.5	23.0	3.7	23.1	3.9	23.2	4.1
	58.0	20.4	2.2	21.2	2.5	21.8	3.0	22.2	3.4	22.5	3.7	22.6	3.9	22.9	4.1	23.0	4.3
	72.5	19.7	2.4	20.6	2.7	21.4	3.2	21.8	3.6	22.1	3.9	22.4	4.1	22.6	4.3	22.8	4.5
	87.0	19.0	2.6	20.1	2.9	21.0	3.4	21.5	3.8	21.8	4.1	22.1	4.3	22.4	4.5	22.5	4.7
	101.5	18.4	2.8	19.6	3.1	20.6	3.6	21.1	4.0	21.5	4.3	21.8	4.5	22.1	4.7	22.3	4.9
	116.0	17.8	3.0	19.1	3.3	20.2	3.8	20.8	4.2	21.3	4.5	21.5	4.7	21.9	4.9	22.1	5.1
	130.5			18.6	3.5	19.8	4.0	20.5	4.4	21.0	4.7	21.3	4.9	21.7	5.1	21.9	5.3
	145.0			18.2	3.7	19.4	4.2	20.2	4.6	20.7	4.9	21.0	5.1	21.4	5.4	21.7	5.5
260-34	29.0	29.8	2.0	30.3	2.4	30.8	2.8	31.0	3.3	31.2	3.6	31.3	3.8	31.5	4.1	31.6	4.3
	43.5	28.8	2.3	29.5	2.6	30.2	3.1	30.5	3.5	30.8	3.9	30.9	4.1	31.1	4.4	31.2	4.6
	58.0	27.9	2.5	28.8	2.9	29.6	3.4	30.0	3.8	30.3	4.2	30.6	4.4	30.8	4.7	31.0	4.8
	72.5	27.1	2.8	28.2	3.2	29.1	3.7	29.6	4.1	30.0	4.5	30.2	4.7	30.5	4.9	30.6	5.1
	87.0	26.3	3.1	27.6	3.5	28.6	3.9	29.2	4.4	29.6	4.7	29.9	4.9	30.2	5.2	30.4	5.4
	101.5	25.6	3.4	27.0	3.7	28.1	4.2	28.8	4.6	29.2	5.0	29.5	5.2	29.9	5.5	30.2	5.7
	116	24.8	3.6	26.4	4.0	27.6	4.5	28.4	4.9	28.9	5.3	29.2	5.5	29.6	5.7	29.9	5.9
260-50	29.0	45.3	2.4	45.8	2.8	46.2	3.3	46.7	3.8	47.1	4.2	47.1	4.4	47.6	4.7	47.6	4.9
	43.5	43.9	2.8	44.9	3.2	45.8	3.7	46.2	4.2	46.2	4.6	46.7	4.8	47.1	5.1	47.1	5.3
	58.0	42.7	3.2	43.9	3.6	44.9	4.1	45.3	4.6	45.8	5.0	46.2	5.2	46.7	5.5	46.7	5.7
	72.5	41.6	3.6	43.1	4.0	44.0	4.6	44.9	5.0	45.3	5.4	45.8	5.6	46.2	5.9	46.2	6.1
	87.0	40.6	4.0	42.3	4.5	43.6	5.0	44.5	5.4	44.9	5.9	45.3	6.0	45.8	6.3	45.8	6.6
260-72	29.0	65.2	2.9	66.0	3.4	66.9	3.9	67.4	4.4	67.8	4.9	67.8	5.1	68.2	5.4	68.2	5.6
	43.5	63.4	3.5	64.7	3.9	65.6	4.5	66.5	5.0	66.9	5.5	67.4	5.7	67.4	6.0	67.8	6.2
	58.0	61.6	4.1	63.4	4.5	64.7	5.1	65.6	5.6	66.0	6.1	66.5	6.3	66.9	6.6	67.4	6.8
	72.5	59.9	4.7	62.1	5.1	63.8	5.7	64.7	6.2	65.6	6.7	66.0	6.9	66.5	7.2	66.9	7.4

Speed n=950 rpm

METRIC

Specification	Pressure ΔP bar	Viscosity (mm ² /s) (cSt)															
		75		150		300		500		750		1000		1500		2000	
		Capacity m ³ /h	Power kW	Capacity m ³ /h	Power kW	Capacity m ³ /h	Power kW	Capacity m ³ /h	Power kW	Capacity m ³ /h	Power kW	Capacity m ³ /h	Power kW	Capacity m ³ /h	Power kW	Capacity m ³ /h	Power kW
260-25	2	5.0	1.3	5.1	1.6	5.2	1.9	5.2	2.2	5.3	2.5	5.3	2.6	5.3	2.8	5.3	2.9
	3	4.8	1.5	5.0	1.7	5.1	2.1	5.1	2.3	5.2	2.6	5.2	2.7	5.3	2.9	5.3	3.1
	4	4.6	1.6	4.8	1.9	5.0	2.2	5.1	2.5	5.1	2.8	5.1	2.9	5.2	3.1	5.2	3.2
	5	4.5	1.8	4.7	2.0	4.9	2.4	5.0	2.7	5.0	2.9	5.1	3.0	5.1	3.2	5.2	3.4
	6	4.3	1.9	4.6	2.2	4.8	2.5	4.9	2.8	5.0	3.1	5.0	3.2	5.1	3.4	5.1	3.5
	7	4.2	2.1	4.5	2.3	4.7	2.7	4.8	3.0	4.9	3.2	5.0	3.4	5.0	3.5	5.1	3.7
	8	4.0	2.2	4.3	2.5	4.6	2.8	4.7	3.1	4.8	3.4	4.9	3.5	5.0	3.7	5.0	3.8
	9			4.2	2.6	4.5	3.0	4.7	3.3	4.8	3.5	4.8	3.7	4.9	3.8	5.0	4.0
	10			4.1	2.8	4.4	3.1	4.6	3.4	4.7	3.7	4.8	3.8	4.9	4.0	4.9	4.1
	260-34	2	6.8	1.5	6.9	1.8	7.0	2.1	7.1	2.4	7.1	2.7	7.1	2.9	7.2	3.1	7.2
3		6.5	1.7	6.7	2.0	6.9	2.3	6.9	2.6	7.0	2.9	7.0	3.1	7.1	3.3	7.1	3.4
4		6.3	1.9	6.6	2.2	6.7	2.5	6.8	2.8	6.9	3.1	6.9	3.3	7.0	3.5	7.0	3.6
5		6.2	2.1	6.4	2.4	6.6	2.7	6.7	3.1	6.8	3.3	6.9	3.5	6.9	3.7	7.0	3.8
6		6.0	2.3	6.3	2.6	6.5	2.9	6.6	3.3	6.7	3.5	6.8	3.7	6.9	3.9	6.9	4.0
7		5.8	2.5	6.1	2.8	6.4	3.1	6.5	3.5	6.6	3.8	6.7	3.9	6.8	4.1	6.9	4.2
8		5.6	2.7	6.0	3.0	6.3	3.3	6.5	3.7	6.6	4.0	6.6	4.1	6.7	4.3	6.8	4.4
260-50		2	10.3	1.8	10.4	2.1	10.5	2.5	10.6	2.8	10.7	3.1	10.7	3.3	10.8	3.5	10.8
	3	10.0	2.1	10.2	2.4	10.4	2.8	10.5	3.1	10.5	3.5	10.6	3.6	10.7	3.8	10.7	4.0
	4	9.7	2.4	10.0	2.7	10.2	3.1	10.3	3.4	10.4	3.8	10.5	3.9	10.6	4.1	10.6	4.3
	5	9.5	2.7	9.8	3.0	10.0	3.4	10.2	3.7	10.3	4.1	10.4	4.2	10.5	4.4	10.5	4.6
	6	9.2	3.0	9.6	3.3	9.9	3.7	10.1	4.1	10.2	4.4	10.3	4.5	10.4	4.7	10.4	4.9
	260-72	2	14.8	2.2	15.0	2.5	15.2	2.9	15.3	3.3	15.4	3.7	15.4	3.8	15.5	4.0	15.5
3		14.4	2.6	14.7	2.9	14.9	3.4	15.1	3.7	15.2	4.1	15.3	4.2	15.3	4.5	15.4	4.7
4		14.0	3.1	14.4	3.4	14.7	3.8	14.9	4.2	15.0	4.5	15.1	4.7	15.2	4.9	15.3	5.1
5		13.6	3.5	14.1	3.8	14.5	4.3	14.7	4.6	14.9	5.0	15.0	5.1	15.1	5.4	15.2	5.5



2 H SERIES

280 PERFORMANCE @ 50Hz

U.S. STANDARD

Speed n=950 rpm

Specification	Pressure ΔP PSI	Viscosity (mm ² /s) (cSt)															
		75		150		300		500		750		1000		1500		2000	
		Capacity GPM	Power HP	Capacity GPM	Power HP	Capacity GPM	Power HP	Capacity GPM	Power HP	Capacity GPM	Power HP	Capacity GPM	Power HP	Capacity GPM	Power HP	Capacity GPM	Power HP
280-20	29.0	23.2	2.3	23.7	2.8	24.1	3.4	24.4	4.0	24.6	4.5	24.7	4.7	24.8	5.1	24.9	5.4
	58.0	21.4	2.8	22.3	3.3	23.0	3.9	23.5	4.5	23.7	5.0	24.0	5.2	24.2	5.6	24.3	5.8
	87.0	19.9	3.3	21.1	3.7	22.1	4.4	22.6	4.9	23.0	5.4	23.3	5.7	23.6	6.0	23.8	6.3
	116.0	18.5	3.7	20.0	4.2	21.2	4.8	21.9	5.4	22.4	5.9	22.7	6.1	23.1	6.5	23.3	6.7
	145.0	17.1	4.2	18.9	4.7	20.3	5.3	21.2	5.8	21.7	6.3	22.1	6.6	22.6	6.9	22.9	7.2
	174.0	15.9	4.6	17.9	5.1	19.5	5.7	20.5	6.3	21.2	6.8	21.6	7.0	22.1	7.4	22.5	7.6
	203.1	14.7	5.1	17.0	5.6	18.8	6.2	19.9	6.8	20.6	7.3	21.1	7.5	21.7	7.8	22.1	8.1
	232.1	13.5	5.6	16.0	6.0	18.1	6.7	19.2	7.2	20.1	7.7	20.6	8.0	21.3	8.3	21.7	8.6
	261.1			15.1	6.5	17.3	7.1	18.7	7.7	19.5	8.2	20.1	8.4	20.8	8.8	21.3	9.0
	290.1					16.6	7.6	18.1	8.1	19.0	8.6	19.6	8.9	20.4	9.2	20.9	9.5
	319.1							17.5	8.6	18.5	9.1	19.2	9.3	20.0	9.7	20.6	9.9
348.1							17.0	9.1	18.1	9.6	18.8	9.8	19.6	10.1	20.2	10.4	
280-27	29.0	31.3	2.7	31.7	3.2	32.6	3.8	32.6	4.4	33.0	5.0	33.0	5.2	33.5	5.6	33.5	5.9
	58.0	28.6	3.2	29.9	3.8	30.8	4.4	31.7	5.0	31.7	5.6	32.1	5.8	32.6	6.2	32.6	6.4
	87.0	26.9	3.9	28.2	4.4	29.5	5.1	30.4	5.6	30.8	6.2	31.3	6.4	31.7	6.8	32.1	7.1
	116.0	24.7	4.4	26.9	5.0	28.6	5.6	29.5	6.3	29.9	6.8	30.4	7.1	30.8	7.4	31.3	7.6
	145.0	22.9	5.1	25.5	5.6	27.3	6.3	28.6	6.8	29.1	7.4	29.5	7.6	30.4	8.0	30.8	8.3
	174.0	21.6	5.8	24.2	6.2	26.4	6.8	27.7	7.5	28.6	8.0	29.1	8.3	29.5	8.7	29.9	9.0
	203.1	19.8	6.3	22.9	6.8	25.1	7.5	26.9	8.0	27.7	8.6	28.2	8.9	29.1	9.3	29.5	9.5
	232.1	18.1	7.0	21.6	7.5	24.2	8.2	26.0	8.7	26.9	9.3	27.7	9.5	28.6	9.9	29.1	10.2
	261.1			20.3	8.0	23.3	8.7	25.1	9.4	26.4	9.9	26.9	10.1	28.2	10.5	28.6	10.7
	290.1			19.4	8.7	22.5	9.4	24.2	9.9	25.5	10.5	26.4	10.7	27.3	11.1	28.2	11.4
280-40	29.0	47.6	3.1	48.4	3.6	49.3	4.3	49.3	5.0	49.8	5.5	50.2	5.8	50.2	6.2	50.2	6.5
	58.0	44.5	4.0	46.2	4.5	47.1	5.2	48.0	5.9	48.4	6.5	48.9	6.7	49.3	7.1	49.3	7.4
	87.0	42.0	4.9	44.0	5.5	45.8	6.2	46.7	6.8	47.1	7.4	47.6	7.6	48.0	8.0	48.4	8.3
	116.0	39.7	5.8	42.2	6.4	44.0	7.1	45.3	7.7	46.2	8.3	46.7	8.6	47.1	9.0	47.6	9.3
	145.0	37.5	6.8	40.4	7.3	42.8	8.0	44.0	8.6	45.3	9.2	45.8	9.5	46.7	9.9	47.1	10.2
	174.0	35.4	7.7	38.7	8.2	41.4	8.9	43.1	9.6	44.0	10.2	44.9	10.4	45.8	10.8	46.2	11.1
	203.1	33.3	8.6	37.2	9.2	40.2	9.9	42.0	10.5	43.2	11.1	44.0	11.3	44.9	11.7	45.8	12.0
	232.1			35.6	10.1	39.0	10.8	40.9	11.4	42.3	12.0	43.2	12.3	44.5	12.7	44.9	13.0
280-56	29.0	66.9	3.7	67.8	4.3	69.1	5.1	69.6	5.8	70.0	6.4	70.0	6.7	70.4	7.1	70.4	7.5
	58.0	62.5	5.0	64.7	5.6	66.5	6.4	67.4	7.1	68.2	7.7	68.2	8.0	69.1	8.4	69.1	8.8
	87.0	59.0	6.2	62.1	6.9	64.3	7.6	65.6	8.3	66.5	9.0	66.9	9.3	67.8	9.7	68.2	10.0
	116.0	55.9	7.5	59.4	8.2	62.1	8.9	63.8	9.6	64.7	10.3	65.6	10.6	66.5	11.0	66.9	11.3
	145.0			56.8	9.5	60.3	10.2	62.1	10.9	63.4	11.6	64.3	11.9	65.2	12.3	66.0	12.6

Blackmer reserves the right to change the data in the table without prior notice.

Speed n=950 rpm

METRIC

Specification	Pressure ΔP bar	Viscosity (mm ² /s) (cSt)															
		75		150		300		500		750		1000		1500		2000	
		Capacity m ³ /h	Power kW	Capacity m ³ /h	Power kW	Capacity m ³ /h	Power kW	Capacity m ³ /h	Power kW	Capacity m ³ /h	Power kW	Capacity m ³ /h	Power kW	Capacity m ³ /h	Power kW	Capacity m ³ /h	Power kW
280-20	2	5.3	1.8	5.4	2.1	5.5	2.6	5.5	3.0	5.6	3.4	5.6	3.5	5.6	3.8	5.7	4.0
	4	4.9	2.1	5.1	2.5	5.2	2.9	5.3	3.3	5.4	3.7	5.4	3.9	5.5	4.1	5.5	4.3
	6	4.5	2.4	4.8	2.8	5.0	3.3	5.1	3.7	5.2	4.1	5.3	4.2	5.4	4.5	5.4	4.7
	8	4.2	2.8	4.5	3.1	4.8	3.6	5.0	4.0	5.1	4.4	5.2	4.6	5.2	4.8	5.3	5.0
	10	3.9	3.1	4.3	3.5	4.6	3.9	4.8	4.4	4.9	4.7	5.0	4.9	5.1	5.2	5.2	5.4
	12	3.6	3.5	4.1	3.8	4.4	4.3	4.7	4.7	4.8	5.1	4.9	5.3	5.0	5.5	5.1	5.7
	14	3.3	3.8	3.9	4.2	4.3	4.6	4.5	5.0	4.7	5.4	4.8	5.6	4.9	5.9	5.0	6.0
	16	3.1	4.1	3.6	4.5	4.1	5.0	4.4	5.4	4.6	5.8	4.7	5.9	4.8	6.2	4.9	6.4
	18			3.4	4.9	3.9	5.3	4.2	5.7	4.4	6.1	4.6	6.3	4.7	6.5	4.8	6.7
	20					3.8	5.7	4.1	6.1	4.3	6.5	4.5	6.6	4.6	6.9	4.8	7.1
	22							4.0	6.4	4.2	6.8	4.4	7.0	4.6	7.2	4.7	7.4
24							3.9	6.8	4.1	7.1	4.3	7.3	4.5	7.6	4.6	7.8	
280-27	2	7.1	2.0	7.2	2.4	7.4	2.8	7.4	3.3	7.5	3.7	7.5	3.9	7.6	4.2	7.6	4.4
	4	6.5	2.4	6.8	2.8	7.0	3.3	7.2	3.7	7.2	4.2	7.3	4.3	7.4	4.6	7.4	4.8
	6	6.1	2.9	6.4	3.3	6.7	3.8	6.9	4.2	7.0	4.6	7.1	4.8	7.2	5.1	7.3	5.3
	8	5.6	3.3	6.1	3.7	6.5	4.2	6.7	4.7	6.8	5.1	6.9	5.3	7.0	5.5	7.1	5.7
	10	5.2	3.8	5.8	4.2	6.2	4.7	6.5	5.1	6.6	5.5	6.7	5.7	6.9	6.0	7.0	6.2
	12	4.9	4.3	5.5	4.6	6.0	5.1	6.3	5.6	6.5	6.0	6.6	6.2	6.7	6.5	6.8	6.7
	14	4.5	4.7	5.2	5.1	5.7	5.6	6.1	6.0	6.3	6.4	6.4	6.6	6.6	6.9	6.7	7.1
	16	4.1	5.2	4.9	5.6	5.5	6.1	5.9	6.5	6.1	6.9	6.3	7.1	6.5	7.4	6.6	7.6
	18			4.6	6.0	5.3	6.5	5.7	7.0	6.0	7.4	6.1	7.5	6.4	7.8	6.5	8.0
20			4.4	6.5	5.1	7.0	5.5	7.4	5.8	7.8	6.0	8.0	6.2	8.3	6.4	8.5	
280-40	2	10.8	2.3	11.0	2.7	11.2	3.2	11.2	3.7	11.3	4.1	11.4	4.3	11.4	4.6	11.4	4.8
	4	10.1	3.0	10.5	3.4	10.7	3.9	10.9	4.4	11.0	4.8	11.1	5.0	11.2	5.3	11.2	5.5
	6	9.5	3.7	10.0	4.1	10.4	4.6	10.6	5.1	10.7	5.5	10.8	5.7	10.9	6.0	11.0	6.2
	8	9.0	4.4	9.6	4.8	10.0	5.3	10.3	5.8	10.5	6.2	10.6	6.4	10.7	6.7	10.8	6.9
	10	8.5	5.0	9.2	5.5	9.7	6.0	10.0	6.5	10.3	6.9	10.4	7.1	10.6	7.4	10.7	7.6
	12	8.0	5.7	8.8	6.1	9.4	6.7	9.8	7.1	10.0	7.6	10.2	7.8	10.4	8.1	10.5	8.3
	14	7.6	6.4	8.4	6.8	9.1	7.4	9.5	7.8	9.8	8.3	10.0	8.5	10.2	8.8	10.4	9.0
	16			8.1	7.5	8.9	8.0	9.3	8.5	9.6	9.0	9.8	9.1	10.1	9.4	10.2	9.7
280-56	2	15.2	2.7	15.4	3.2	15.7	3.8	15.8	4.3	15.9	4.8	15.9	5.0	16.0	5.3	16.0	5.6
	4	14.2	3.7	14.7	4.2	15.1	4.7	15.3	5.3	15.5	5.7	15.5	6.0	15.7	6.3	15.7	6.5
	6	13.4	4.7	14.1	5.1	14.6	5.7	14.9	6.2	15.1	6.7	15.2	6.9	15.4	7.3	15.5	7.5
	8	12.7	5.6	13.5	6.1	14.1	6.7	14.5	7.2	14.7	7.7	14.9	7.9	15.1	8.2	15.2	8.5
	10			12.9	7.1	13.7	7.6	14.1	8.2	14.4	8.6	14.6	8.9	14.8	9.2	15.0	9.4



U.S. STANDARD

Speed n=950 rpm

Specification	Pressure ΔP PSI	Viscosity (mm ² /s) (cSt)															
		75		150		300		500		750		1000		1500		2000	
		Capacity GPM	Power HP	Capacity GPM	Power HP	Capacity GPM	Power HP	Capacity GPM	Power HP	Capacity GPM	Power HP	Capacity GPM	Power HP	Capacity GPM	Power HP	Capacity GPM	Power HP
360-30	29.0	39.2	2.6	39.8	3.1	40.3	3.7	40.5	4.3	40.7	4.8	40.9	5.0	41.0	5.4	41.1	5.6
	43.5	38.2	3.0	39.0	3.4	39.6	4.0	40.0	4.6	40.3	5.1	40.4	5.4	40.6	5.7	40.8	6.0
	58.0	37.3	3.3	38.3	3.8	39.1	4.4	39.5	5.0	39.8	5.5	40.1	5.7	40.3	6.1	40.5	6.3
	72.5	36.4	3.7	37.6	4.2	38.5	4.8	39.1	5.3	39.4	5.8	39.7	6.1	40.0	6.4	40.2	6.7
	87.0	35.6	4.0	36.9	4.5	38.0	5.1	38.6	5.7	39.1	6.2	39.3	6.4	39.7	6.8	39.9	7.0
	101.5	34.8	4.4	36.3	4.9	37.5	5.5	38.2	6.0	38.7	6.5	39.0	6.8	39.4	7.1	39.6	7.4
	116.0	34.0	4.7	35.7	5.2	37.0	5.8	37.8	6.4	38.3	6.9	38.7	7.1	39.1	7.5	39.4	7.7
	130.5	33.3	5.1	35.1	5.6	36.5	6.2	37.4	6.7	38.0	7.3	38.3	7.5	38.8	7.8	39.1	8.1
	145.0	32.6	5.4	34.5	5.9	36.1	6.5	37.0	7.1	37.6	7.6	38.0	7.8	38.6	8.2	38.9	8.4
360-40	29.0	52.8	2.9	53.3	3.4	53.7	4.0	54.2	4.6	54.6	5.1	54.6	5.3	55.0	5.7	55.0	5.9
	43.5	51.5	3.3	52.4	3.8	53.3	4.5	53.7	5.0	53.7	5.6	54.2	5.8	54.2	6.1	54.6	6.4
	58.0	50.2	3.8	51.5	4.3	52.4	4.9	52.8	5.5	53.3	6.0	53.7	6.2	54.2	6.6	54.2	6.9
	72.5	49.3	4.3	50.6	4.8	52.0	5.4	52.4	6.0	52.8	6.5	53.3	6.7	53.7	7.1	53.7	7.3
	87.0	48.4	4.8	49.8	5.3	51.1	5.9	52.0	6.5	52.4	7.0	52.8	7.2	53.3	7.6	53.3	7.8
	101.5	47.1	5.2	49.3	5.7	50.6	6.4	51.5	6.9	52.0	7.4	52.4	7.7	52.8	8.0	53.3	8.3
	116.0	46.2	5.7	48.4	6.2	50.2	6.8	51.1	7.4	51.5	7.9	52.0	8.2	52.4	8.5	52.8	8.8
360-60	29.0	79.3	3.4	80.1	3.9	81.0	4.6	81.5	5.1	81.9	5.7	81.9	5.9	82.3	6.3	82.3	6.6
	43.5	77.5	4.1	78.8	4.6	79.7	5.3	80.6	5.9	81.0	6.4	81.0	6.6	81.5	7.0	81.9	7.3
	58.0	76.2	4.8	77.5	5.3	78.8	6.0	79.7	6.6	80.1	7.1	80.6	7.3	81.0	7.7	81.5	8.0
	72.5	74.4	5.5	76.6	6.0	77.9	6.7	78.8	7.3	79.7	7.8	80.1	8.1	80.6	8.4	80.6	8.7
	87.0	73.1	6.2	75.3	6.8	77.0	7.4	78.4	8.0	78.8	8.5	79.3	8.8	80.1	9.1	80.1	9.4
360-80	29.0	104.3	4.0	106.1	4.6	107.4	5.3	107.9	5.9	108.7	6.5	108.7	6.7	109.2	7.1	109.6	7.4
	43.5	101.7	5.0	103.9	5.5	105.7	6.2	106.5	6.9	107.4	7.4	107.9	7.7	108.3	8.1	108.7	8.4
	58.0	99.1	5.9	102.1	6.5	103.9	7.2	105.2	7.8	106.1	8.4	106.5	8.6	107.4	9.0	107.9	9.3
	72.5			99.9	7.4	102.6	8.1	103.9	8.7	105.2	9.3	105.7	9.6	106.5	10.0	107.0	10.3

Blackmer reserves the right to change the data in the table without prior notice.

Speed n=950 rpm

METRIC

Specification	Pressure ΔP bar	Viscosity (mm ² /s) (cSt)															
		75		150		300		500		750		1000		1500		2000	
		Capacity m ³ /h	Power kW	Capacity m ³ /h	Power kW	Capacity m ³ /h	Power kW	Capacity m ³ /h	Power kW	Capacity m ³ /h	Power kW	Capacity m ³ /h	Power kW	Capacity m ³ /h	Power kW	Capacity m ³ /h	Power kW
360-30	2	8.9	1.9	9.0	2.3	9.2	2.8	9.2	3.2	9.3	3.6	9.3	3.7	9.3	4.0	9.3	4.2
	3	8.7	2.2	8.9	2.6	9.0	3.0	9.1	3.4	9.2	3.8	9.2	4.0	9.2	4.3	9.3	4.4
	4	8.5	2.5	8.7	2.8	8.9	3.3	9.0	3.7	9.1	4.1	9.1	4.3	9.2	4.5	9.2	4.7
	5	8.3	2.7	8.5	3.1	8.8	3.6	8.9	4.0	9.0	4.4	9.0	4.5	9.1	4.8	9.1	5.0
	6	8.1	3.0	8.4	3.4	8.6	3.8	8.8	4.2	8.9	4.6	8.9	4.8	9.0	5.1	9.1	5.2
	7	7.9	3.3	8.2	3.6	8.5	4.1	8.7	4.5	8.8	4.9	8.9	5.1	9.0	5.3	9.0	5.5
	8	7.7	3.5	8.1	3.9	8.4	4.4	8.6	4.8	8.7	5.2	8.8	5.3	8.9	5.6	8.9	5.8
	9	7.6	3.8	8.0	4.2	8.3	4.6	8.5	5.0	8.6	5.4	8.7	5.6	8.8	5.9	8.9	6.0
	10	7.4	4.1	7.8	4.4	8.2	4.9	8.4	5.3	8.6	5.7	8.6	5.9	8.8	6.1	8.8	6.3
	360-40	2	12.0	2.1	12.1	2.5	12.2	3.0	12.3	3.4	12.4	3.8	12.4	4.0	12.5	4.2	12.5
3		11.7	2.5	11.9	2.9	12.1	3.3	12.2	3.8	12.2	4.1	12.3	4.3	12.3	4.6	12.4	4.8
4		11.4	2.8	11.7	3.2	11.9	3.7	12.0	4.1	12.1	4.5	12.2	4.7	12.3	4.9	12.3	5.1
5		11.2	3.2	11.5	3.6	11.8	4.0	11.9	4.5	12.0	4.9	12.1	5.0	12.2	5.3	12.2	5.5
6		11.0	3.6	11.3	3.9	11.6	4.4	11.8	4.8	11.9	5.2	12.0	5.4	12.1	5.6	12.1	5.8
7		10.7	3.9	11.2	4.3	11.5	4.7	11.7	5.2	11.8	5.6	11.9	5.7	12.0	6.0	12.1	6.2
7		10.5	4.3	11.0	4.6	11.4	5.1	11.6	5.5	11.7	5.9	11.8	6.1	11.9	6.4	12.0	6.5
360-60	2	18.0	2.5	18.2	2.9	18.4	3.4	18.5	3.8	18.6	4.2	18.6	4.4	18.7	4.7	18.7	4.9
	3	17.6	3.1	17.9	3.5	18.1	3.9	18.3	4.4	18.4	4.8	18.4	5.0	18.5	5.2	18.6	5.4
	4	17.3	3.6	17.6	4.0	17.9	4.5	18.1	4.9	18.2	5.3	18.3	5.5	18.4	5.8	18.5	6.0
	5	16.9	4.1	17.4	4.5	17.7	5.0	17.9	5.4	18.1	5.8	18.2	6.0	18.3	6.3	18.3	6.5
	6	16.6	4.7	17.1	5.0	17.5	5.5	17.8	6.0	17.9	6.4	18.0	6.5	18.2	6.8	18.2	7.0
360-80	2	23.7	3.0	24.1	3.4	24.4	3.9	24.5	4.4	24.7	4.8	24.7	5.0	24.8	5.3	24.9	5.5
	3	23.1	3.7	23.6	4.1	24.0	4.6	24.2	5.1	24.4	5.5	24.5	5.7	24.6	6.0	24.7	6.3
	4	22.5	4.4	23.2	4.8	23.6	5.4	23.9	5.8	24.1	6.3	24.2	6.4	24.4	6.7	24.5	7.0
	5			22.7	5.5	23.3	6.1	23.6	6.5	23.9	7.0	24.0	7.2	24.2	7.5	24.3	7.7
	5																



2 H SERIES

560 PERFORMANCE @ 50Hz

U.S. STANDARD

Speed n=950 rpm

Specification	Pressure ΔP PSI	Viscosity (mm ² /s) (cSt)															
		75		150		300		500		750		1000		1500		2000	
		Capacity GPM	Power HP	Capacity GPM	Power HP	Capacity GPM	Power HP	Capacity GPM	Power HP	Capacity GPM	Power HP	Capacity GPM	Power HP	Capacity GPM	Power HP	Capacity GPM	Power HP
560-25	29.0	47.1	3.3	48.0	3.9	48.9	4.7	49.3	5.4	49.3	6.0	49.8	6.3	49.8	6.8	49.8	7.1
	58.0	44.5	4.2	45.8	4.8	47.1	5.6	47.6	6.3	48.0	6.9	48.4	7.2	48.9	7.7	48.9	8.0
	87.0	42.0	5.1	43.9	5.7	45.3	6.5	46.2	7.2	47.1	7.8	47.6	8.1	48.0	8.6	48.0	8.9
	116.0	39.8	6.0	42.1	6.6	44.0	7.4	45.3	8.1	45.8	8.8	46.2	9.1	47.1	9.5	47.6	9.8
	145.0	37.7	6.9	40.5	7.5	42.7	8.3	44.0	9.0	44.9	9.7	45.3	10.0	46.2	10.4	46.7	10.7
	174.0	35.7	7.8	38.9	8.5	41.5	9.2	43.0	9.9	44.0	10.6	44.9	10.9	45.3	11.3	46.2	11.6
	203.1	33.8	8.8	37.4	9.4	40.2	10.2	42.0	10.9	43.1	11.5	43.9	11.8	44.9	12.2	45.3	12.6
	232.1	32.0	9.7	35.9	10.3	39.1	11.1	41.0	11.8	42.3	12.4	43.1	12.7	44.0	13.2	44.9	13.4
	261.1	30.2	10.6	34.5	11.2	38.0	12.0	40.1	12.7	41.5	13.3	42.4	13.7	43.5	14.1	44.0	14.3
	290.1	28.4	11.5	33.2	12.1	36.9	12.9	39.1	13.5	40.7	14.2	41.7	14.5	42.8	15.0	43.6	15.3
	319.1			31.8	13.0	35.8	13.8	38.3	14.5	39.9	15.2	40.9	15.4	42.2	15.8	43.1	16.2
348.1			30.5	13.9	34.8	14.8	37.4	15.4	39.1	16.1	40.2	16.4	41.6	16.8	42.5	17.2	
560-34	29.0	63.8	3.9	64.7	4.6	65.6	5.5	66.0	6.3	66.5	7.0	66.5	7.4	66.9	7.9	66.9	8.2
	58.0	60.8	5.1	62.5	5.8	63.8	6.7	64.3	7.5	64.7	8.3	65.2	8.6	65.6	9.1	66.0	9.5
	87.0	58.1	6.4	60.3	7.1	62.1	8.0	63.0	8.7	63.8	9.5	64.3	9.8	64.7	10.3	65.2	10.7
	116.0	55.5	7.6	58.1	8.3	60.3	9.2	61.6	10.0	62.5	10.7	63.0	11.0	63.8	11.5	64.3	11.9
	145.0	53.3	8.8	56.4	9.5	59.0	10.4	60.3	11.2	61.2	11.9	62.1	12.2	63.0	12.8	63.4	13.1
	174.0	51.1	10.0	54.6	10.7	57.2	11.6	59.0	12.4	60.3	13.1	61.2	13.4	62.1	13.9	62.5	14.3
	203.1	48.9	11.2	52.8	11.9	55.9	12.8	58.1	13.7	59.4	14.3	60.3	14.8	61.2	15.2	62.1	15.6
	232.1	46.7	12.5	51.1	13.2	54.6	14.1	56.8	14.9	58.6	15.6	59.4	16.0	60.3	16.4	61.2	16.8
	261.1	44.5	13.7	49.8	14.3	53.3	15.3	55.9	16.1	57.2	16.8	58.6	17.2	59.9	17.7	60.3	18.0
	290.1	42.7	14.9	48.0	15.6	52.4	16.5	54.6	17.3	56.4	18.0	57.7	18.4	59.0	18.9	59.9	19.2
560-50	29.0	95.5	4.8	97.3	5.6	98.2	6.6	99.1	7.4	99.5	8.2	99.9	8.6	99.9	9.2	100.4	9.6
	58.0	90.7	6.6	93.3	7.4	95.1	8.4	96.4	9.3	97.3	10.1	97.7	10.4	98.2	11.0	98.6	11.4
	87.0	86.7	8.5	89.8	9.2	92.5	10.2	94.2	11.1	95.1	11.9	96.0	12.3	96.9	12.8	97.3	13.2
	116.0	82.8	10.3	86.7	11.1	90.3	12.1	92.0	12.9	93.3	13.7	94.2	14.1	95.5	14.6	96.0	15.0
	145.0	78.8	12.1	84.1	12.9	87.6	13.9	90.3	14.8	91.6	15.6	92.9	16.0	94.2	16.5	94.7	16.9
	174.0	75.3	13.9	81.0	14.8	85.4	15.7	88.1	16.6	90.3	17.4	91.1	17.7	92.9	18.4	93.8	18.8
	203.1	72.2	15.8	78.4	16.6	83.7	17.6	86.3	18.4	88.5	19.2	89.8	19.6	91.6	20.1	92.5	20.5
	232.1	69.1	17.6	75.7	18.4	81.5	19.3	85.0	20.2	87.2	21.1	88.5	21.5	90.3	22.0	91.6	22.4
560-72	29.0	137.8	6.4	140.0	7.3	141.8	8.6	142.7	9.7	143.1	10.7	143.5	11.1	144.4	11.9	144.4	12.4
	58.0	130.8	9.0	134.3	10.0	137.4	11.2	138.7	12.3	140.0	13.3	140.9	13.8	141.8	14.5	142.2	15.0
	87.0	124.6	11.7	129.4	12.6	133.4	13.8	135.6	14.9	137.4	16.0	138.2	16.4	139.6	17.2	140.0	17.6
	116.0	119.3	14.3	125.0	15.3	129.9	16.5	132.5	17.6	134.7	18.6	136.0	19.0	137.4	19.7	138.2	20.2
	145.0	114.0	16.9	121.1	17.8	126.4	19.2	129.9	20.2	132.1	21.2	133.8	21.7	135.6	22.4	136.5	22.9

Blackmer reserves the right to change the data in the table without prior notice.

Speed n=950 rpm

METRIC

Specification	Pressure ΔP bar	Viscosity (mm ² /s) (cSt)															
		75		150		300		500		750		1000		1500		2000	
		Capacity m ³ /h	Power kW	Capacity m ³ /h	Power kW	Capacity m ³ /h	Power kW	Capacity m ³ /h	Power kW	Capacity m ³ /h	Power kW	Capacity m ³ /h	Power kW	Capacity m ³ /h	Power kW	Capacity m ³ /h	Power kW
560-25	2	10.7	2.5	10.9	2.9	11.1	3.5	11.2	4.0	11.2	4.5	11.3	4.7	11.3	5.0	11.3	5.3
	4	10.1	3.1	10.4	3.6	10.7	4.2	10.8	4.7	10.9	5.2	11.0	5.4	11.1	5.7	11.1	6.0
	6	9.5	3.8	10.0	4.3	10.3	4.9	10.5	5.4	10.7	5.9	10.8	6.1	10.9	6.4	10.9	6.6
	8	9.0	4.5	9.6	5.0	10.0	5.5	10.3	6.1	10.4	6.5	10.5	6.8	10.7	7.1	10.8	7.3
	10	8.6	5.2	9.2	5.6	9.7	6.2	10.0	6.7	10.2	7.2	10.3	7.4	10.5	7.8	10.6	8.0
	12	8.1	5.9	8.8	6.3	9.4	6.9	9.8	7.4	10.0	7.9	10.2	8.1	10.3	8.4	10.5	8.7
	14	7.7	6.5	8.5	7.0	9.1	7.6	9.5	8.1	9.8	8.6	10.0	8.8	10.2	9.1	10.3	9.4
	16	7.3	7.2	8.2	7.7	8.9	8.3	9.3	8.8	9.6	9.3	9.8	9.5	10.0	9.8	10.2	10.0
	18	6.9	7.9	7.8	8.4	8.6	8.9	9.1	9.5	9.4	9.9	9.6	10.2	9.9	10.5	10.0	10.7
	20	6.5	8.6	7.5	9.0	8.4	9.6	8.9	10.1	9.2	10.6	9.5	10.8	9.7	11.2	9.9	11.4
	22			7.2	9.7	8.1	10.3	8.7	10.8	9.1	11.3	9.3	11.5	9.6	11.8	9.8	12.1
24			6.9	10.4	7.9	11.0	8.5	11.5	8.9	12.0	9.1	12.2	9.5	12.5	9.7	12.8	
560-34	2	14.5	2.9	14.7	3.5	14.9	4.1	15.0	4.7	15.1	5.3	15.1	5.5	15.2	5.9	15.2	6.1
	4	13.8	3.8	14.2	4.4	14.5	5.0	14.6	5.6	14.7	6.2	14.8	6.4	14.9	6.8	15.0	7.1
	6	13.2	4.7	13.7	5.3	14.1	5.9	14.3	6.5	14.5	7.1	14.6	7.3	14.7	7.7	14.8	8.0
	8	12.6	5.7	13.2	6.2	13.7	6.8	14.0	7.4	14.2	8.0	14.3	8.2	14.5	8.6	14.6	8.9
	10	12.1	6.6	12.8	7.1	13.4	7.8	13.7	8.3	13.9	8.9	14.1	9.1	14.3	9.5	14.4	9.8
	12	11.6	7.5	12.4	8.0	13.0	8.7	13.4	9.3	13.7	9.8	13.9	10.0	14.1	10.4	14.2	10.7
	14	11.1	8.4	12.0	8.9	12.7	9.6	13.2	10.2	13.5	10.7	13.7	11.0	13.9	11.3	14.1	11.6
	16	10.6	9.3	11.6	9.8	12.4	10.5	12.9	11.1	13.3	11.6	13.5	11.9	13.7	12.2	13.9	12.5
	18	10.1	10.2	11.3	10.7	12.1	11.4	12.7	12.0	13.0	12.5	13.3	12.8	13.6	13.2	13.7	13.4
	20	9.7	11.1	10.9	11.6	11.9	12.3	12.4	12.9	12.8	13.4	13.1	13.7	13.4	14.1	13.6	14.3
560-50	2	21.7	3.6	22.1	4.2	22.3	4.9	22.5	5.6	22.6	6.2	22.7	6.4	22.7	6.8	22.8	7.1
	4	20.6	5.0	21.2	5.5	21.6	6.3	21.9	6.9	22.1	7.5	22.2	7.8	22.3	8.2	22.4	8.5
	6	19.7	6.3	20.4	6.9	21.0	7.6	21.4	8.3	21.6	8.9	21.8	9.2	22.0	9.6	22.1	9.9
	8	18.8	7.7	19.7	8.3	20.5	9.0	20.9	9.6	21.2	10.2	21.4	10.5	21.7	10.9	21.8	11.2
	10	17.9	9.1	19.1	9.6	19.9	10.4	20.5	11.0	20.8	11.6	21.1	11.9	21.4	12.3	21.5	12.6
	12	17.1	10.4	18.4	11.0	19.4	11.7	20.0	12.4	20.5	13.0	20.7	13.2	21.1	13.7	21.3	14.0
	14	16.4	11.8	17.8	12.4	19.0	13.1	19.6	13.7	20.1	14.3	20.4	14.6	20.8	15.0	21.0	15.3
	16	15.7	13.1	17.2	13.7	18.5	14.4	19.3	15.1	19.8	15.7	20.1	16.0	20.5	16.4	20.8	16.7
560-72	2	31.3	4.8	31.8	5.5	32.2	6.4	32.4	7.2	32.5	8.0	32.6	8.3	32.8	8.8	32.8	9.2
	4	29.7	6.7	30.5	7.4	31.2	8.4	31.5	9.2	31.8	9.9	32.0	10.3	32.2	10.8	32.3	11.2
	6	28.3	8.7	29.4	9.4	30.3	10.3	30.8	11.1	31.2	11.9	31.4	12.2	31.7	12.8	31.8	13.1
	8	27.1	10.7	28.4	11.4	29.5	12.3	30.1	13.1	30.6	13.9	30.9	14.2	31.2	14.7	31.4	15.1
	10	25.9	12.6	27.5	13.3	28.7	14.3	29.5	15.1	30.0	15.8	30.4	16.2	30.8	16.7	31.0	17.1



2 H SERIES

800 PERFORMANCE @ 50Hz

U.S. STANDARD

Speed n=950 rpm

Specification	Pressure ΔP PSI	Viscosity (mm ² /s) (cSt)															
		75		150		300		500		750		1000		1500		2000	
		Capacity GPM	Power HP	Capacity GPM	Power HP	Capacity GPM	Power HP	Capacity GPM	Power HP	Capacity GPM	Power HP	Capacity GPM	Power HP	Capacity GPM	Power HP	Capacity GPM	Power HP
800-30	29.0	82.8	6.8	84.1	8.2	85.0	9.9	85.4	11.4	85.9	12.9	86.3	13.5	86.3	14.5	86.7	15.2
	58.0	79.3	8.4	81.0	9.7	82.3	11.5	83.7	13.0	84.1	14.5	84.5	15.0	85.0	16.1	85.4	16.8
	87.0	75.7	10.0	78.4	11.3	80.6	13.0	81.9	14.6	82.3	16.0	83.2	16.6	83.7	17.7	84.1	18.4
	116.0	72.6	11.5	75.7	12.9	78.4	14.6	80.1	16.2	81.0	17.6	81.9	18.2	82.8	19.2	83.2	20.0
	145.0	69.6	13.1	73.5	14.5	76.6	16.2	78.4	17.7	79.7	19.2	80.6	19.8	81.5	20.8	82.3	21.5
	174.0	66.9	14.8	71.3	16.1	74.8	17.8	77.0	19.3	78.4	20.8	79.3	21.3	80.6	22.4	81.5	23.1
	203.1	64.3	16.2	69.1	17.7	73.1	19.3	75.7	20.9	77.0	22.3	78.4	22.9	79.7	24.0	80.6	24.7
	232.1	61.6	17.8	67.4	19.2	71.8	20.9	74.4	22.5	76.2	23.9	77.0	24.5	78.8	25.5	79.7	26.3
	261.1	59.4	19.4	65.2	20.8	70.0	22.5	73.1	24.0	74.8	25.5	76.2	26.1	77.9	27.1	78.8	27.8
	290.1	56.8	21.1	63.4	22.4	68.7	24.1	71.8	25.6	74.0	27.1	75.3	27.6	77.0	28.7	77.9	29.4
	319.1	54.6	22.5	61.6	24.0	66.9	25.6	70.4	27.2	72.6	28.6	74.0	29.2	76.2	30.3	77.0	31.0
	348.1	52.0	24.1	59.9	25.5	65.6	27.2	69.1	28.8	71.8	30.2	73.1	30.8	75.3	31.8	76.2	32.6
800-40	29.0	111.4	7.7	113.2	9.1	114.0	10.9	114.9	12.6	115.4	14.1	115.4	14.8	115.8	15.8	116.2	16.6
	58.0	107.0	9.8	109.2	11.2	111.0	13.0	112.3	14.8	113.2	16.2	113.6	16.9	114.0	18.0	114.5	18.6
	87.0	102.6	11.9	106.1	13.3	108.7	15.2	110.1	16.8	111.0	18.4	111.8	19.0	112.7	20.0	113.2	20.8
	116.0	99.1	13.9	103.0	15.4	106.1	17.3	107.9	18.9	109.2	20.4	110.1	21.1	111.4	22.1	111.8	22.9
	145.0	95.5	16.1	100.4	17.6	103.9	19.3	106.1	21.1	107.9	22.5	108.7	23.2	110.1	24.3	110.5	24.9
	174.0	92.0	18.2	97.3	19.7	101.7	21.5	104.3	23.1	106.1	24.7	107.4	25.3	108.7	26.4	109.6	27.1
	203.1	88.9	20.4	95.1	21.7	99.9	23.6	102.6	25.2	104.8	26.7	106.1	27.4	107.4	28.4	108.3	29.2
	232.1	85.9	22.4	92.5	23.9	97.7	25.7	100.8	27.4	103.0	28.8	104.8	29.5	106.5	30.6	107.4	31.4
	261.1	82.8	24.5	90.3	26.0	96.0	27.8	99.5	29.5	101.7	31.0	103.5	31.6	105.2	32.7	106.5	33.4
	290.1	79.7	26.7	87.6	28.2	94.2	29.9	97.7	31.5	100.4	33.1	102.1	33.8	104.3	34.7	105.7	35.5
800-60	29.0	167.7	9.5	169.5	11.1	171.3	13.2	172.1	15.0	172.6	16.8	173.0	17.4	173.5	18.6	173.9	19.6
	58.0	161.6	12.6	164.7	14.2	167.3	16.4	168.6	18.1	169.9	19.8	170.4	20.7	171.3	21.9	171.7	22.7
	87.0	155.9	15.8	160.3	17.4	163.8	19.4	165.5	21.3	167.3	23.1	168.2	23.7	169.1	24.9	169.9	25.9
	116.0	150.6	18.9	156.3	20.5	160.3	22.7	162.9	24.4	164.7	26.1	166.0	27.0	167.3	28.2	168.2	29.0
	145.0	145.7	22.1	152.3	23.7	157.6	25.7	160.7	27.6	162.5	29.4	163.8	30.0	165.5	31.2	166.4	32.2
	174.0	141.3	25.2	148.8	26.8	154.5	29.0	158.1	30.8	160.3	32.5	162.0	33.3	163.8	34.5	165.1	35.3
	203.1	136.9	28.4	145.3	30.0	151.9	32.0	155.9	33.9	158.5	35.7	160.3	36.3	162.5	37.5	163.8	38.5
	232.1	132.5	31.5	141.8	33.1	149.3	35.3	153.7	37.1	156.3	38.8	158.5	39.6	160.7	40.8	162.0	41.6
800-80	29.0	221.0	11.3	224.5	13.1	226.7	15.4	228.5	17.4	229.4	19.3	229.8	20.2	230.7	21.6	231.6	22.5
	58.0	210.9	15.4	216.2	17.3	220.1	19.6	222.8	21.7	224.5	23.6	225.4	24.4	227.2	25.7	228.1	26.7
	87.0	201.6	19.7	208.7	21.5	214.4	23.9	217.9	25.9	220.1	27.8	221.9	28.7	223.7	30.0	225.0	31.0
	116.0	193.3	23.9	202.1	25.7	209.1	28.0	213.5	30.0	216.2	32.0	218.4	32.9	220.6	34.2	221.9	35.1
	145.0	185.4	28.2	195.9	29.9	204.3	32.2	209.1	34.3	212.7	36.2	214.9	37.0	217.5	38.4	219.3	39.3

Blackmer reserves the right to change the data in the table without prior notice.

Speed n=950 rpm

METRIC

Specification	Pressure ΔP bar	Viscosity (mm ² /s) (cSt)															
		75		150		300		500		750		1000		1500		2000	
		Capacity m ³ /h	Power kW	Capacity m ³ /h	Power kW	Capacity m ³ /h	Power kW	Capacity m ³ /h	Power kW	Capacity m ³ /h	Power kW	Capacity m ³ /h	Power kW	Capacity m ³ /h	Power kW	Capacity m ³ /h	Power kW
800-30	2	18.8	5.1	19.1	6.1	19.3	7.4	19.4	8.5	19.5	9.6	19.6	10.1	19.6	10.8	19.7	11.3
	4	18.0	6.3	18.4	7.3	18.7	8.6	19.0	9.7	19.1	10.8	19.2	11.2	19.3	12.0	19.4	12.5
	6	17.2	7.4	17.8	8.5	18.3	9.7	18.6	10.9	18.7	11.9	18.9	12.4	19.0	13.2	19.1	13.7
	8	16.5	8.6	17.2	9.6	17.8	10.9	18.2	12.1	18.4	13.1	18.6	13.6	18.8	14.3	18.9	14.9
	10	15.8	9.8	16.7	10.8	17.4	12.1	17.8	13.2	18.1	14.3	18.3	14.8	18.5	15.5	18.7	16.0
	12	15.2	11.0	16.2	12.0	17.0	13.3	17.5	14.4	17.8	15.5	18.0	15.9	18.3	16.7	18.5	17.2
	14	14.6	12.1	15.7	13.2	16.6	14.4	17.2	15.6	17.5	16.6	17.8	17.1	18.1	17.9	18.3	18.4
	16	14.0	13.3	15.3	14.3	16.3	15.6	16.9	16.8	17.3	17.8	17.5	18.3	17.9	19.0	18.1	19.6
	18	13.5	14.5	14.8	15.5	15.9	16.8	16.6	17.9	17.0	19.0	17.3	19.5	17.7	20.2	17.9	20.7
	20	12.9	15.7	14.4	16.7	15.6	18.0	16.3	19.1	16.8	20.2	17.1	20.6	17.5	21.4	17.7	21.9
	22	12.4	16.8	14.0	17.9	15.2	19.1	16.0	20.3	16.5	21.3	16.8	21.8	17.3	22.6	17.5	23.1
24	11.8	18.0	13.6	19.0	14.9	20.3	15.7	21.5	16.3	22.5	16.6	23.0	17.1	23.7	17.3	24.3	
800-40	2	25.3	5.7	25.7	6.8	25.9	8.2	26.1	9.4	26.2	10.5	26.2	11.0	26.3	11.8	26.4	12.4
	4	24.3	7.3	24.8	8.4	25.2	9.7	25.5	11.0	25.7	12.1	25.8	12.6	25.9	13.4	26.0	13.9
	6	23.3	8.9	24.1	10.0	24.7	11.3	25.0	12.5	25.2	13.7	25.4	14.2	25.6	14.9	25.7	15.5
	8	22.5	10.4	23.4	11.5	24.1	12.9	24.5	14.1	24.8	15.2	25.0	15.7	25.3	16.5	25.4	17.1
	10	21.7	12.0	22.8	13.1	23.6	14.4	24.1	15.7	24.5	16.8	24.7	17.3	25.0	18.1	25.1	18.6
	12	20.9	13.6	22.1	14.7	23.1	16.0	23.7	17.2	24.1	18.4	24.4	18.9	24.7	19.7	24.9	20.2
	14	20.2	15.2	21.6	16.2	22.7	17.6	23.3	18.8	23.8	19.9	24.1	20.4	24.4	21.2	24.6	21.8
	16	19.5	16.7	21.0	17.8	22.2	19.2	22.9	20.4	23.4	21.5	23.8	22.0	24.2	22.8	24.4	23.4
	18	18.8	18.3	20.5	19.4	21.8	20.7	22.6	22.0	23.1	23.1	23.5	23.6	23.9	24.4	24.2	24.9
20	18.1	19.9	19.9	21.0	21.4	22.3	22.2	23.5	22.8	24.7	23.2	25.2	23.7	25.9	24.0	26.5	
800-60	2	38.1	7.1	38.5	8.3	38.9	9.8	39.1	11.2	39.2	12.5	39.3	13.0	39.4	13.9	39.5	14.6
	4	36.7	9.4	37.4	10.6	38.0	12.2	38.3	13.5	38.6	14.8	38.7	15.4	38.9	16.3	39.0	16.9
	6	35.4	11.8	36.4	13.0	37.2	14.5	37.6	15.9	38.0	17.2	38.2	17.7	38.4	18.6	38.6	19.3
	8	34.2	14.1	35.5	15.3	36.4	16.9	37.0	18.2	37.4	19.5	37.7	20.1	38.0	21.0	38.2	21.6
	10	33.1	16.5	34.6	17.7	35.8	19.2	36.5	20.6	36.9	21.9	37.2	22.4	37.6	23.3	37.8	24.0
	12	32.1	18.8	33.8	20.0	35.1	21.6	35.9	23.0	36.4	24.2	36.8	24.8	37.2	25.7	37.5	26.3
	14	31.1	21.2	33.0	22.4	34.5	23.9	35.4	25.3	36.0	26.6	36.4	27.1	36.9	28.0	37.2	28.7
	16	30.1	23.5	32.2	24.7	33.9	26.3	34.9	27.7	35.5	28.9	36.0	29.5	36.5	30.4	36.8	31.0
800-80	2	50.2	8.4	51.0	9.8	51.5	11.5	51.9	13.0	52.1	14.4	52.2	15.1	52.4	16.1	52.6	16.8
	4	47.9	11.5	49.1	12.9	50.0	14.6	50.6	16.2	51.0	17.6	51.2	18.2	51.6	19.2	51.8	19.9
	6	45.8	14.7	47.4	16.0	48.7	17.8	49.5	19.3	50.0	20.7	50.4	21.4	50.8	22.4	51.1	23.1
	8	43.9	17.8	45.9	19.2	47.5	20.9	48.5	22.4	49.1	23.9	49.6	24.5	50.1	25.5	50.4	26.2
	10	42.1	21.0	44.5	22.3	46.4	24.0	47.5	25.6	48.3	27.0	48.8	27.6	49.4	28.6	49.8	29.3



2 H SERIES

1400 PERFORMANCE @ 50Hz

U.S. STANDARD

Speed n=950 rpm

Specification	Pressure ΔP PSI	Viscosity (mm ² /s) (cSt)															
		75		150		300		500		750		1000		1500		2000	
		Capacity GPM	Power HP	Capacity GPM	Power HP	Capacity GPM	Power HP	Capacity GPM	Power HP	Capacity GPM	Power HP	Capacity GPM	Power HP	Capacity GPM	Power HP	Capacity GPM	Power HP
1400-38	29.0	156.7	8.2	158.1	9.5	159.4	11.3	160.3	12.8	160.7	14.2	161.1	14.9	161.6	15.8	161.6	16.6
	58.0	151.5	11.1	154.1	12.5	156.3	14.2	157.6	15.7	158.5	17.2	158.9	17.8	159.4	18.8	159.8	19.4
	87.0	146.6	14.1	150.1	15.4	153.2	17.2	155.0	18.6	156.3	20.1	156.7	20.8	158.1	21.7	158.5	22.4
	116.0	142.2	17.0	147.1	18.4	150.6	20.1	152.8	21.6	154.1	23.1	155.0	23.6	156.3	24.7	157.2	25.3
	145.0	138.2	19.8	143.5	21.3	147.9	22.9	150.6	24.5	152.3	26.0	153.2	26.6	155.0	27.6	155.9	28.3
	174.0	134.3	22.8	140.4	24.1	145.3	25.9	148.4	27.5	150.6	28.8	151.9	29.5	153.2	30.6	154.5	31.2
	203.1	130.8	25.7	137.8	27.1	143.1	28.8	146.6	30.4	148.8	31.8	150.1	32.5	151.9	33.4	153.2	34.2
	232.1	127.2	28.7	134.7	30.0	140.9	31.8	144.4	33.3	147.1	34.7	148.8	35.4	150.6	36.3	151.9	37.1
	261.1	123.7	31.6	132.1	33.0	138.7	34.7	142.7	36.2	145.7	37.7	147.1	38.4	149.3	39.3	151.0	40.0
	290.1	120.2	34.6	129.4	35.9	136.5	37.7	140.9	39.2	144.0	40.6	145.7	41.3	148.4	42.2	149.7	42.9
	319.1	117.1	37.4	126.8	38.9	134.7	40.5	139.1	42.1	142.7	43.6	144.4	44.1	147.1	45.2	148.4	45.9
	348.1			124.2	41.7	132.5	43.4	137.4	45.1	140.9	46.4	143.1	47.1	145.7	48.1	147.5	48.8
1400-50	29.0	210.5	9.8	212.2	11.3	213.5	13.3	214.4	15.0	215.3	16.6	215.3	17.3	216.2	18.4	216.2	19.2
	58.0	204.3	13.7	207.4	15.3	210.0	17.2	211.3	18.9	212.2	20.5	213.1	21.2	214.0	22.4	214.4	23.1
	87.0	199.0	17.6	203.4	19.2	206.5	21.1	208.7	22.8	210.0	24.4	210.9	25.1	211.8	26.3	212.7	27.1
	116.0	194.2	21.5	199.4	23.1	203.4	24.9	206.1	26.7	207.8	28.3	208.7	29.0	210.0	30.2	210.9	31.0
	145.0	189.8	25.5	195.9	27.0	200.8	28.8	203.4	30.6	205.6	32.2	206.9	33.0	208.3	34.1	209.6	34.9
	174.0	185.4	29.4	192.4	30.8	198.1	32.7	201.2	34.5	203.4	36.1	205.2	36.9	206.9	38.0	207.8	38.8
	203.1	181.4	33.3	189.3	34.7	195.5	36.7	199.0	38.5	201.6	40.0	203.4	40.8	205.2	41.8	206.5	42.6
	232.1	177.4	37.1	185.8	38.6	192.8	40.6	196.8	42.4	199.9	44.0	201.6	44.7	203.8	45.7	205.2	46.5
	261.1	173.5	41.0	182.7	42.5	190.2	44.5	195.0	46.3	198.1	47.9	199.9	48.5	202.5	49.6	203.8	50.4
	290.1			180.1	46.5	188.0	48.4	192.8	50.2	196.4	51.8	198.1	52.4	200.8	53.5	202.5	54.3
1400-75	29.0	315.2	12.9	317.9	14.8	320.1	17.0	321.4	19.0	322.3	21.1	323.2	21.9	323.6	23.2	324.0	24.1
	58.0	306.0	18.8	310.4	20.5	314.4	22.9	316.6	24.9	318.3	26.8	319.2	27.8	320.5	29.1	321.0	30.0
	87.0	297.6	24.7	304.2	26.4	309.1	28.7	312.2	30.8	314.4	32.7	315.7	33.5	317.4	34.9	318.3	35.8
	116.0	290.1	30.4	298.1	32.3	304.7	34.6	308.2	36.6	310.8	38.6	312.6	39.4	314.8	40.8	315.7	41.7
	145.0	283.1	36.3	292.3	38.2	299.8	40.5	304.7	42.5	307.8	44.4	309.5	45.3	312.2	46.7	313.5	47.6
	174.0	276.5	42.2	287.1	44.0	295.9	46.3	301.2	48.4	304.7	50.3	306.9	51.1	309.5	52.4	311.3	53.4
	203.1	269.9	48.0	282.2	49.9	291.9	52.2	297.6	54.3	301.6	56.2	303.8	57.0	307.3	58.3	309.1	59.3
	232.1			277.4	55.8	287.9	58.1	294.1	60.1	298.5	62.0	301.6	62.9	304.7	64.2	306.9	65.2
1400-96	29.0	397.6	15.3	402.0	17.4	405.5	20.0	407.7	22.3	409.5	24.4	410.3	25.3	411.2	26.8	412.1	27.9
	58.0	383.0	22.8	390.5	24.8	396.7	27.4	400.2	29.8	402.4	31.9	404.2	32.9	405.9	34.3	407.3	35.4
	87.0	370.3	30.3	380.4	32.3	388.3	34.9	393.2	37.1	396.7	39.3	398.5	40.2	401.1	41.7	402.9	42.8
	116.0			371.2	39.8	380.8	42.4	387.0	44.7	391.0	46.8	393.6	47.7	396.7	49.2	398.9	50.3
	145.0			362.4	47.2	373.8	49.8	380.8	52.2	385.7	54.3	388.8	55.2	392.7	56.7	395.4	57.8

Blackmer reserves the right to change the data in the table without prior notice.

Speed n=950 rpm

METRIC

Specification	Pressure ΔP bar	Viscosity (mm ² /s) (cSt)															
		75		150		300		500		750		1000		1500		2000	
		Capacity m ³ /h	Power kW	Capacity m ³ /h	Power kW	Capacity m ³ /h	Power kW	Capacity m ³ /h	Power kW	Capacity m ³ /h	Power kW	Capacity m ³ /h	Power kW	Capacity m ³ /h	Power kW	Capacity m ³ /h	Power kW
1400-38	2	35.6	6.1	35.9	7.1	36.2	8.4	36.4	9.6	36.5	10.6	36.6	11.1	36.7	11.8	36.7	12.4
	4	34.4	8.3	35.0	9.3	35.5	10.6	35.8	11.7	36.0	12.8	36.1	13.3	36.2	14.0	36.3	14.5
	6	33.3	10.5	34.1	11.5	34.8	12.8	35.2	13.9	35.5	15.0	35.6	15.5	35.9	16.2	36.0	16.7
	8	32.3	12.7	33.4	13.7	34.2	15.0	34.7	16.1	35.0	17.2	35.2	17.6	35.5	18.4	35.7	18.9
	10	31.4	14.8	32.6	15.9	33.6	17.1	34.2	18.3	34.6	19.4	34.8	19.8	35.2	20.6	35.4	21.1
	12	30.5	17.0	31.9	18.0	33.0	19.3	33.7	20.5	34.2	21.5	34.5	22.0	34.8	22.8	35.1	23.3
	14	29.7	19.2	31.3	20.2	32.5	21.5	33.3	22.7	33.8	23.7	34.1	24.2	34.5	24.9	34.8	25.5
	16	28.9	21.4	30.6	22.4	32.0	23.7	32.8	24.8	33.4	25.9	33.8	26.4	34.2	27.1	34.5	27.7
	18	28.1	23.6	30.0	24.6	31.5	25.9	32.4	27.0	33.1	28.1	33.4	28.6	33.9	29.3	34.3	29.8
	20	27.3	25.8	29.4	26.8	31.0	28.1	32.0	29.2	32.7	30.3	33.1	30.8	33.7	31.5	34.0	32.0
	22	26.6	27.9	28.8	29.0	30.6	30.2	31.6	31.4	32.4	32.5	32.8	32.9	33.4	33.7	33.7	34.2
24			28.2	31.1	30.1	32.4	31.2	33.6	32.0	34.6	32.5	35.1	33.1	35.9	33.5	36.4	
1400-50	2	47.8	7.3	48.2	8.5	48.5	9.9	48.7	11.2	48.9	12.4	48.9	12.9	49.1	13.7	49.1	14.3
	4	46.4	10.2	47.1	11.4	47.7	12.8	48.0	14.1	48.2	15.3	48.4	15.8	48.6	16.7	48.7	17.2
	6	45.2	13.1	46.2	14.3	46.9	15.7	47.4	17.0	47.7	18.2	47.9	18.7	48.1	19.6	48.3	20.2
	8	44.1	16.0	45.3	17.2	46.2	18.6	46.8	19.9	47.2	21.1	47.4	21.6	47.7	22.5	47.9	23.1
	10	43.1	19.0	44.5	20.1	45.6	21.5	46.2	22.8	46.7	24.0	47.0	24.6	47.3	25.4	47.6	26.0
	12	42.1	21.9	43.7	23.0	45.0	24.4	45.7	25.7	46.2	26.9	46.6	27.5	47.0	28.3	47.2	28.9
	14	41.2	24.8	43.0	25.9	44.4	27.4	45.2	28.7	45.8	29.8	46.2	30.4	46.6	31.2	46.9	31.8
	16	40.3	27.7	42.2	28.8	43.8	30.3	44.7	31.6	45.4	32.8	45.8	33.3	46.3	34.1	46.6	34.7
	18	39.4	30.6	41.5	31.7	43.2	33.2	44.3	34.5	45.0	35.7	45.4	36.2	46.0	37.0	46.3	37.6
	20			40.9	34.7	42.7	36.1	43.8	37.4	44.6	38.6	45.0	39.1	45.6	39.9	46.0	40.5
1400-75	2	71.6	9.6	72.2	11.0	72.7	12.7	73.0	14.2	73.2	15.7	73.4	16.3	73.5	17.3	73.6	18.0
	4	69.5	14.0	70.5	15.3	71.4	17.1	71.9	18.6	72.3	20.0	72.5	20.7	72.8	21.7	72.9	22.4
	6	67.6	18.4	69.1	19.7	70.2	21.4	70.9	23.0	71.4	24.4	71.7	25.0	72.1	26.0	72.3	26.7
	8	65.9	22.7	67.7	24.1	69.2	25.8	70.0	27.3	70.6	28.8	71.0	29.4	71.5	30.4	71.7	31.1
	10	64.3	27.1	66.4	28.5	68.1	30.2	69.2	31.7	69.9	33.1	70.3	33.8	70.9	34.8	71.2	35.5
	12	62.8	31.5	65.2	32.8	67.2	34.5	68.4	36.1	69.2	37.5	69.7	38.1	70.3	39.1	70.7	39.8
	14	61.3	35.8	64.1	37.2	66.3	38.9	67.6	40.5	68.5	41.9	69.0	42.5	69.8	43.5	70.2	44.2
	16			63.0	41.6	65.4	43.3	66.8	44.8	67.8	46.2	68.5	46.9	69.2	47.9	69.7	48.6
1400-96	2	90.3	11.4	91.3	13.0	92.1	14.9	92.6	16.6	93.0	18.2	93.2	18.9	93.4	20.0	93.6	20.8
	4	87.0	17.0	88.7	18.5	90.1	20.4	90.9	22.2	91.4	23.8	91.8	24.5	92.2	25.6	92.5	26.4
	6	84.1	22.6	86.4	24.1	88.2	26.0	89.3	27.7	90.1	29.3	90.5	30.0	91.1	31.1	91.5	31.9
	8			84.3	29.7	86.5	31.6	87.9	33.3	88.8	34.9	89.4	35.6	90.1	36.7	90.6	37.5
	10			82.3	35.2	84.9	37.1	86.5	38.9	87.6	40.5	88.3	41.2	89.2	42.3	89.8	43.1



2 H SERIES

2500 PERFORMANCE @ 50Hz

U.S. STANDARD

Speed n=950 rpm

Specification	Pressure ΔP PSI	Viscosity (mm ² /s) (cSt)															
		75		150		300		500		750		1000		1500		2000	
		Capacity GPM	Power HP	Capacity GPM	Power HP	Capacity GPM	Power HP	Capacity GPM	Power HP	Capacity GPM	Power HP	Capacity GPM	Power HP	Capacity GPM	Power HP	Capacity GPM	Power HP
2500-43	29.0	251.8	14.2	254.5	16.6	256.2	19.7	257.6	22.5	258.4	25.2	258.9	26.3	259.8	28.2	260.2	29.4
	58.0	243.5	18.9	247.9	21.3	251.4	24.5	253.2	27.2	254.5	29.9	255.4	31.0	256.7	32.9	257.1	34.1
	87.0	236.4	23.6	242.2	26.0	246.6	29.2	249.2	32.0	251.4	34.6	252.3	35.7	254.0	37.5	254.9	38.8
	116.0	229.4	28.3	236.9	30.8	242.2	33.9	245.7	36.7	247.9	39.3	249.6	40.4	251.4	42.2	252.7	43.4
	145.0	223.2	33.0	231.6	35.5	238.2	38.6	242.6	41.4	245.2	44.0	247.0	45.1	249.2	46.9	250.5	48.1
	174.0	217.1	37.7	226.7	40.2	234.7	43.3	239.1	46.1	242.6	48.7	244.4	49.9	247.0	51.6	248.3	52.8
	203.1	211.3	42.4	222.3	44.9	231.1	48.0	236.0	50.8	239.5	53.4	242.2	54.6	244.8	56.3	246.6	57.7
	232.1	206.1	47.1	217.9	49.6	227.6	52.7	233.3	55.5	237.3	58.1	239.5	59.3	242.6	61.0	244.8	62.4
	261.1	200.3	51.9	213.5	54.3	224.1	57.4	230.3	60.2	234.7	62.8	237.3	64.0	240.8	65.7	243.0	67.1
	290.1	195.5	56.6	209.6	59.0	220.6	62.1	227.6	64.9	232.0	67.5	235.1	68.7	238.6	70.4	241.3	71.7
	319.1	190.2	61.3	205.6	63.7	217.5	66.8	225.0	69.6	229.8	72.1	232.9	73.4	236.9	75.1	239.5	76.4
	348.1	185.4	66.0	201.6	68.4	214.4	71.5	222.3	74.3	227.6	77.0	230.7	78.0	235.1	79.8	237.8	81.1
2500-56	29.0	329.3	16.6	332.9	19.3	335.1	22.8	336.8	25.9	337.7	28.7	338.6	30.0	339.5	31.9	339.9	33.4
	58.0	318.3	22.8	324.0	25.5	328.4	29.0	331.1	32.0	332.9	34.9	334.2	36.1	335.5	38.1	336.4	39.6
	87.0	309.1	29.0	316.6	31.6	322.3	35.1	325.8	38.2	328.4	41.0	329.8	42.2	332.0	44.3	333.3	45.7
	116.0	300.3	35.1	309.5	37.8	317.0	41.2	321.4	44.3	324.5	47.2	326.2	48.4	328.9	50.4	330.2	51.8
	145.0	291.9	41.2	302.9	44.0	311.7	47.3	317.0	50.4	320.5	53.4	322.7	54.6	325.8	56.6	327.6	57.9
	174.0	284.0	47.3	296.7	50.2	306.9	53.5	313.0	56.6	317.0	59.4	319.6	60.7	322.7	62.8	324.9	64.1
	203.1	276.5	53.5	291.0	56.2	302.0	59.7	308.6	62.8	313.5	65.6	316.6	66.9	320.1	68.9	322.3	70.3
	232.1	269.5	59.7	285.3	62.4	297.6	65.8	305.1	68.9	310.0	71.7	313.5	73.1	317.4	75.0	320.1	76.4
	261.1			279.6	68.5	293.2	72.0	301.2	75.1	306.9	77.9	310.4	79.1	314.8	81.1	317.4	82.6
	290.1			274.3	74.7	288.8	78.2	297.6	81.3	303.8	84.1	307.3	85.3	312.2	87.3	315.2	88.8
2500-85	29.0	495.3	21.6	500.6	24.7	504.6	28.7	507.2	32.3	509.0	35.7	509.8	37.1	511.2	39.6	512.0	41.2
	58.0	477.7	30.8	486.5	34.1	493.6	38.1	498.0	41.7	500.6	45.1	502.8	46.5	505.0	48.8	506.3	50.4
	87.0	462.7	40.1	474.6	43.3	483.9	47.3	489.6	51.0	493.6	54.3	496.2	55.8	499.3	58.1	501.0	59.7
	116.0	448.6	49.3	463.6	52.6	475.1	56.6	482.5	60.2	487.4	63.6	490.5	65.0	494.0	67.3	496.6	68.9
	145.0	435.4	58.6	453.0	61.8	467.1	65.8	475.5	69.5	481.2	72.8	484.7	74.3	489.2	76.6	492.2	78.3
	174.0	423.1	67.9	442.9	71.1	459.2	75.1	468.9	78.7	475.5	82.1	479.5	83.5	484.7	85.8	487.8	87.6
	203.1			433.7	80.3	451.7	84.3	462.3	88.0	469.8	91.3	474.6	92.8	480.3	95.2	483.9	96.8
	232.1			424.4	89.7	444.2	93.7	456.1	97.4	464.5	101	469.3	102	475.9	104	479.9	106
2500-112	29.0	656.9	26.6	663.1	30.2	668.3	34.9	671.4	39.0	673.2	42.9	674.5	44.7	676.3	47.3	677.2	49.3
	58.0	636.2	38.8	646.8	42.5	655.1	47.1	660.0	51.4	663.5	55.2	665.7	56.9	668.8	59.7	670.1	61.6
	87.0	617.7	51.0	632.2	54.7	643.7	59.4	650.3	63.6	655.1	67.5	658.2	69.2	661.7	71.9	664.4	73.8
	116.0	601.0	63.3	619.0	66.9	633.1	71.6	641.5	75.8	647.2	79.7	651.2	81.4	655.6	84.1	658.7	86.0
	145.0			606.3	79.3	623.0	83.8	633.1	88.1	640.2	92.0	644.6	93.6	649.9	96.4	653.4	98.3

Blackmer reserves the right to change the data in the table without prior notice.



Speed n=950 rpm

METRIC

Specification	Pressure ΔP bar	Viscosity (mm ² /s) (cSt)															
		75		150		300		500		750		1000		1500		2000	
		Capacity m ³ /h	Power kW	Capacity m ³ /h	Power kW	Capacity m ³ /h	Power kW	Capacity m ³ /h	Power kW	Capacity m ³ /h	Power kW	Capacity m ³ /h	Power kW	Capacity m ³ /h	Power kW	Capacity m ³ /h	Power kW
2500-43	2	57.2	10.6	57.8	12.4	58.2	14.7	58.5	16.8	58.7	18.8	58.8	19.6	59.0	21.0	59.1	21.9
	4	55.3	14.1	56.3	15.9	57.1	18.3	57.5	20.3	57.8	22.3	58.0	23.1	58.3	24.5	58.4	25.4
	6	53.7	17.6	55.0	19.4	56.0	21.8	56.6	23.9	57.1	25.8	57.3	26.6	57.7	28.0	57.9	28.9
	8	52.1	21.1	53.8	23.0	55.0	25.3	55.8	27.4	56.3	29.3	56.7	30.1	57.1	31.5	57.4	32.4
	10	50.7	24.6	52.6	26.5	54.1	28.8	55.1	30.9	55.7	32.8	56.1	33.6	56.6	35.0	56.9	35.9
	12	49.3	28.1	51.5	30.0	53.3	32.3	54.3	34.4	55.1	36.3	55.5	37.2	56.1	38.5	56.4	39.4
	14	48.0	31.6	50.5	33.5	52.5	35.8	53.6	37.9	54.4	39.8	55.0	40.7	55.6	42.0	56.0	43.0
	16	46.8	35.1	49.5	37.0	51.7	39.3	53.0	41.4	53.9	43.3	54.4	44.2	55.1	45.5	55.6	46.5
	18	45.5	38.7	48.5	40.5	50.9	42.8	52.3	44.9	53.3	46.8	53.9	47.7	54.7	49.0	55.2	50.0
	20	44.4	42.2	47.6	44.0	50.1	46.3	51.7	48.4	52.7	50.3	53.4	51.2	54.2	52.5	54.8	53.5
	22	43.2	45.7	46.7	47.5	49.4	49.8	51.1	51.9	52.2	53.8	52.9	54.7	53.8	56.0	54.4	57.0
24	42.1	49.2	45.8	51.0	48.7	53.3	50.5	55.4	51.7	57.4	52.4	58.2	53.4	59.5	54.0	60.5	
2500-56	2	74.8	12.4	75.6	14.4	76.1	17.0	76.5	19.3	76.7	21.4	76.9	22.4	77.1	23.8	77.2	24.9
	4	72.3	17.0	73.6	19.0	74.6	21.6	75.2	23.9	75.6	26.0	75.9	26.9	76.2	28.4	76.4	29.5
	6	70.2	21.6	71.9	23.6	73.2	26.2	74.0	28.5	74.6	30.6	74.9	31.5	75.4	33.0	75.7	34.1
	8	68.2	26.2	70.3	28.2	72.0	30.7	73.0	33.0	73.7	35.2	74.1	36.1	74.7	37.6	75.0	38.6
	10	66.3	30.7	68.8	32.8	70.8	35.3	72.0	37.6	72.8	39.8	73.3	40.7	74.0	42.2	74.4	43.2
	12	64.5	35.3	67.4	37.4	69.7	39.9	71.1	42.2	72.0	44.3	72.6	45.3	73.3	46.8	73.8	47.8
	14	62.8	39.9	66.1	41.9	68.6	44.5	70.1	46.8	71.2	48.9	71.9	49.9	72.7	51.4	73.2	52.4
	16	61.2	44.5	64.8	46.5	67.6	49.1	69.3	51.4	70.4	53.5	71.2	54.5	72.1	55.9	72.7	57.0
	18			63.5	51.1	66.6	53.7	68.4	56.0	69.7	58.1	70.5	59.0	71.5	60.5	72.1	61.6
20			62.3	55.7	65.6	58.3	67.6	60.6	69.0	62.7	69.8	63.6	70.9	65.1	71.6	66.2	
2500-85	2	112.5	16.1	113.7	18.4	114.6	21.4	115.2	24.1	115.6	26.6	115.8	27.7	116.1	29.5	116.3	30.7
	4	108.5	23.0	110.5	25.4	112.1	28.4	113.1	31.1	113.7	33.6	114.2	34.7	114.7	36.4	115.0	37.6
	6	105.1	29.9	107.8	32.3	109.9	35.3	111.2	38.0	112.1	40.5	112.7	41.6	113.4	43.3	113.8	44.5
	8	101.9	36.8	105.3	39.2	107.9	42.2	109.6	44.9	110.7	47.4	111.4	48.5	112.2	50.2	112.8	51.4
	10	98.9	43.7	102.9	46.1	106.1	49.1	108.0	51.8	109.3	54.3	110.1	55.4	111.1	57.1	111.8	58.4
	12	96.1	50.6	100.6	53.0	104.3	56.0	106.5	58.7	108.0	61.2	108.9	62.3	110.1	64.0	110.8	65.3
	14			98.5	59.9	102.6	62.9	105.0	65.6	106.7	68.1	107.8	69.2	109.1	71.0	109.9	72.2
	16			96.4	66.9	100.9	69.9	103.6	72.6	105.5	75.0	106.6	76.2	108.1	77.9	109.0	79.1
2500-112	2	149.2	19.8	150.6	22.5	151.8	26.0	152.5	29.1	152.9	32.0	153.2	33.3	153.6	35.3	153.8	36.8
	4	144.5	28.9	146.9	31.7	148.8	35.1	149.9	38.3	150.7	41.2	151.2	42.4	151.9	44.5	152.2	45.9
	6	140.3	38.0	143.6	40.8	146.2	44.3	147.7	47.4	148.8	50.3	149.5	51.6	150.3	53.6	150.9	55.0
	8	136.5	47.2	140.6	49.9	143.8	53.4	145.7	56.5	147.0	59.4	147.9	60.7	148.9	62.7	149.6	64.1
	10			137.7	59.1	141.5	62.5	143.8	65.7	145.4	68.6	146.4	69.8	147.6	71.9	148.4	73.3

Blackmer reserves the right to change the data in the table without prior notice.



2 H SERIES

4200 PERFORMANCE @ 50Hz

U.S. STANDARD

Speed n=950 rpm

Specification	Pressure ΔP PSI	Viscosity (mm ² /s) (cSt)															
		75		150		300		500		750		1000		1500		2000	
		Capacity GPM	Power HP	Capacity GPM	Power HP	Capacity GPM	Power HP	Capacity GPM	Power HP	Capacity GPM	Power HP	Capacity GPM	Power HP	Capacity GPM	Power HP	Capacity GPM	Power HP
4200-50	29.0	450.4	28.3	453.9	33.5	456.1	40.0	457.9	45.9	458.8	51.4	459.2	53.8	460.1	57.5	460.5	60.2
	58.0	440.3	36.6	445.6	41.8	449.5	48.3	452.2	54.2	453.9	59.7	454.8	62.1	456.6	65.8	457.5	68.5
	87.0	431.0	44.9	438.1	50.0	443.8	56.6	447.3	62.5	449.5	68.0	451.3	70.4	453.0	74.2	454.4	76.8
	116.0	422.7	53.2	431.5	58.3	438.5	64.9	442.9	70.8	445.6	76.3	447.8	78.7	450.0	82.5	451.3	85.2
	145.0	414.7	61.4	425.3	66.6	433.7	73.2	438.5	79.1	442.0	84.5	444.2	86.9	446.9	90.8	448.6	93.5
	174.0	407.3	69.7	419.1	75.0	428.8	81.5	434.6	87.4	438.5	92.8	441.2	95.2	444.2	99.0	446.0	102
	203.1	399.8	78.0	413.4	83.3	424.4	89.8	431.0	95.7	435.4	101	438.1	104	441.6	107	443.8	110
	232.1	393.2	86.4	408.1	91.6	420.0	98.2	427.1	104	431.9	109	435.0	112	439.0	116	441.6	118
	261.1	386.1	94.7	402.9	99.9	415.6	106.3	423.5	112	428.8	118	432.4	120	436.8	124	439.4	127
	290.1	380.0	103	397.6	108	411.7	115	420.0	121	425.8	126	429.7	128	434.1	132	437.2	135
	319.1			392.3	116	407.7	123	416.9	129	423.1	134	427.1	137	431.9	141	435.0	143
	348.1			387.4	125	403.7	131	413.4	137	420.0	143	424.4	145	429.7	149	432.8	152
4200-67	29.0	599.7	31.9	603.6	37.4	607.1	44.3	608.9	50.4	610.2	56.2	611.1	58.7	612.0	62.6	612.9	65.4
	58.0	586.5	43.0	593.1	48.4	598.3	55.4	601.9	61.6	604.1	67.2	605.4	69.7	607.1	73.6	608.5	76.4
	87.0	574.6	54.0	583.8	59.5	591.3	66.4	595.7	72.5	598.3	78.2	600.5	80.7	602.7	84.8	604.5	87.6
	116.0	564.0	65.0	575.4	70.5	584.3	77.4	590.0	83.5	593.5	89.3	595.7	91.7	598.8	95.7	600.5	98.6
	145.0	553.9	76.2	567.1	81.5	578.1	88.4	584.3	94.5	588.7	100	591.7	103	595.3	107	597.5	110
	174.0	544.2	87.2	559.6	92.5	571.9	99.5	579.4	106	584.3	111	587.8	114	591.7	118	593.9	121
	203.1	534.9	98.2	552.1	104	566.2	110	574.6	117	580.3	122	583.8	125	588.2	129	590.9	132
	232.1	526.1	109	545.1	115	560.5	121	569.7	128	575.9	133	579.8	136	585.1	140	588.2	143
	261.1			538.5	126	555.2	132	565.3	139	571.9	144	576.3	147	581.6	151	585.1	154
	290.1			531.9	137	549.9	144	560.5	150	568.0	155	572.8	158	578.5	162	582.5	165
4200-96	29.0	857.7	38.2	864.7	44.1	870.9	51.4	874.4	57.9	876.6	64.1	878.4	66.8	880.1	70.9	881.4	74.0
	58.0	833.0	54.2	845.3	59.9	855.5	67.3	861.2	73.9	865.6	79.9	867.8	82.6	871.3	86.9	873.1	89.8
	87.0	811.9	70.1	828.6	75.9	841.8	83.1	849.7	89.8	855.5	95.9	859.0	98.6	863.4	103	866.0	106
	116.0	792.1	86.0	812.8	91.9	829.5	99.1	839.6	106	846.2	112	850.6	115	855.9	119	859.4	122
	145.0	773.6	102	798.2	108	818.0	115	829.5	122	837.9	128	842.7	130	849.3	135	853.3	138
	174.0	756.0	118	784.1	124	806.6	131	820.2	138	829.5	144	835.2	146	842.7	150	847.5	154
	203.1			770.9	140	796.0	147	811.4	153	821.6	160	828.2	162	836.5	166	841.8	169
	232.1			758.2	155	785.9	163	802.6	169	814.1	175	821.6	178	830.4	182	836.1	185
4200-128	29.0	1135	45.9	1146	52.2	1156	60.2	1161	67.5	1165	74.2	1168	77.1	1171	81.8	1173	85.0
	58.0	1095	67.1	1115	73.4	1131	81.4	1141	88.6	1147	95.3	1151	98.3	1156	103	1160	106
	87.0	1061	88.2	1088	94.7	1110	103	1122	110	1131	117	1137	120	1144	124	1148	128
	116.0	1029	110	1063	116	1089	124	1106	131	1117	138	1123	141	1132	145	1138	149
	145.0			1039	137	1071	145	1090	152	1102	159	1111	162	1121	167	1128	170

Blackmer reserves the right to change the data in the table without prior notice.



Speed n=950 rpm

METRIC

Specification	Pressure ΔP bar	Viscosity (mm ² /s) (cSt)															
		75		150		300		500		750		1000		1500		2000	
		Capacity m ³ /h	Power kW	Capacity m ³ /h	Power kW	Capacity m ³ /h	Power kW	Capacity m ³ /h	Power kW	Capacity m ³ /h	Power kW	Capacity m ³ /h	Power kW	Capacity m ³ /h	Power kW	Capacity m ³ /h	Power kW
4200-50	2	102.3	21.1	103.1	25.0	103.6	29.8	104.0	34.2	104.2	38.3	104.3	40.1	104.5	42.9	104.6	44.9
	4	100.0	27.3	101.2	31.2	102.1	36.0	102.7	40.4	103.1	44.5	103.3	46.3	103.7	49.1	103.9	51.1
	6	97.9	33.5	99.5	37.3	100.8	42.2	101.6	46.6	102.1	50.7	102.5	52.5	102.9	55.3	103.2	57.3
	8	96.0	39.7	98.0	43.5	99.6	48.4	100.6	52.8	101.2	56.9	101.7	58.7	102.2	61.5	102.5	63.5
	10	94.2	45.8	96.6	49.7	98.5	54.6	99.6	59.0	100.4	63.0	100.9	64.8	101.5	67.7	101.9	69.7
	12	92.5	52.0	95.2	55.9	97.4	60.8	98.7	65.2	99.6	69.2	100.2	71.0	100.9	73.8	101.3	75.8
	14	90.8	58.2	93.9	62.1	96.4	67.0	97.9	71.4	98.9	75.4	99.5	77.2	100.3	80.0	100.8	82.0
	16	89.3	64.4	92.7	68.3	95.4	73.2	97.0	77.6	98.1	81.6	98.8	83.4	99.7	86.2	100.3	88.2
	18	87.7	70.6	91.5	74.5	94.4	79.3	96.2	83.7	97.4	87.8	98.2	89.6	99.2	92.4	99.8	94.4
	20	86.3	76.8	90.3	80.7	93.5	85.5	95.4	89.9	96.7	94.0	97.6	95.8	98.6	98.6	99.3	100.6
	22			89.1	86.8	92.6	91.7	94.7	96.1	96.1	100.2	97.0	102.0	98.1	104.8	98.8	106.8
24			88.0	93.0	91.7	97.9	93.9	102.3	95.4	106.4	96.4	108.2	97.6	111.0	98.3	113.0	
4200-67	2	136.2	23.8	137.1	27.9	137.9	33.0	138.3	37.6	138.6	41.9	138.8	43.8	139.0	46.7	139.2	48.8
	4	133.2	32.1	134.7	36.1	135.9	41.3	136.7	45.9	137.2	50.1	137.5	52.0	137.9	54.9	138.2	57.0
	6	130.5	40.3	132.6	44.4	134.3	49.5	135.3	54.1	135.9	58.3	136.4	60.2	136.9	63.2	137.3	65.3
	8	128.1	48.5	130.7	52.6	132.7	57.7	134.0	62.3	134.8	66.6	135.3	68.4	136.0	71.4	136.4	73.5
	10	125.8	56.8	128.8	60.8	131.3	65.9	132.7	70.5	133.7	74.8	134.4	76.7	135.2	79.6	135.7	81.7
	12	123.6	65.0	127.1	69.0	129.9	74.2	131.6	78.8	132.7	83.0	133.5	84.9	134.4	87.9	134.9	89.9
	14	121.5	73.2	125.4	77.3	128.6	82.4	130.5	87.0	131.8	91.2	132.6	93.1	133.6	96.1	134.2	98.2
	16	119.5	81.4	123.8	85.5	127.3	90.6	129.4	95.2	130.8	99.5	131.7	101.3	132.9	104.3	133.6	106.4
	18			122.3	93.7	126.1	98.8	128.4	103.4	129.9	107.7	130.9	109.6	132.1	112.5	132.9	114.6
	20			120.8	101.9	124.9	107.1	127.3	111.7	129.0	115.9	130.1	117.8	131.4	120.8	132.3	122.9
4200-96	2	194.8	28.5	196.4	32.9	197.8	38.3	198.6	43.2	199.1	47.8	199.5	49.8	199.9	52.9	200.2	55.2
	4	189.2	40.4	192.0	44.7	194.3	50.2	195.6	55.1	196.6	59.6	197.1	61.6	197.9	64.8	198.3	67.0
	6	184.4	52.3	188.2	56.6	191.2	62.0	193.0	67.0	194.3	71.5	195.1	73.5	196.1	76.6	196.7	78.9
	8	179.9	64.1	184.6	68.5	188.4	73.9	190.7	78.8	192.2	83.4	193.2	85.4	194.4	88.5	195.2	90.7
	10	175.7	76.0	181.3	80.3	185.8	85.8	188.4	90.7	190.3	95.2	191.4	97.2	192.9	100.4	193.8	102.6
	12	171.7	87.9	178.1	92.2	183.2	97.6	186.3	102.6	188.4	107.1	189.7	109.1	191.4	112.2	192.5	114.5
	14			175.1	104.1	180.8	109.5	184.3	114.4	186.6	119.0	188.1	121.0	190.0	124.1	191.2	126.3
	16			172.2	115.9	178.5	121.4	182.3	126.3	184.9	130.8	186.6	132.8	188.6	136.0	189.9	138.2
4200-128	2	257.7	34.2	260.4	38.9	262.5	44.9	263.8	50.3	264.7	55.3	265.2	57.5	265.9	61.0	266.4	63.4
	4	248.7	50.0	253.3	54.7	256.9	60.7	259.1	66.1	260.5	71.1	261.5	73.3	262.6	76.8	263.4	79.3
	6	240.9	65.8	247.1	70.6	252.0	76.6	254.9	82.0	256.9	87.0	258.2	89.2	259.8	92.6	260.8	95.1
	8	233.7	81.7	241.4	86.4	247.4	92.4	251.1	97.8	253.6	102.8	255.1	105.0	257.1	108.5	258.4	110.9
	10			236.0	102.2	243.2	108.2	247.5	113.6	250.4	118.6	252.3	120.8	254.6	124.3	256.1	126.8

Blackmer reserves the right to change the data in the table without prior notice.



2 H SERIES

7000 PERFORMANCE @ 50Hz

U.S. STANDARD

Speed n=950 rpm

Specification	Pressure ΔP PSI	Viscosity (mm ² /s) (cSt)															
		75		150		300		500		750		1000		1500		2000	
		Capacity GPM	Power HP	Capacity GPM	Power HP	Capacity GPM	Power HP	Capacity GPM	Power HP	Capacity GPM	Power HP	Capacity GPM	Power HP	Capacity GPM	Power HP	Capacity GPM	Power HP
7000-40	29.0	738.3	39.4	743.2	46.3	746.7	54.7	748.9	62.4	750.7	69.5	751.6	72.7	752.9	77.5	753.3	81.0
	58.0	722.9	52.8	730.9	59.7	737.0	68.1	741.0	75.8	743.2	82.9	745.0	86.1	747.2	90.9	748.5	94.4
	87.0	709.7	66.2	720.3	73.1	728.7	81.5	733.5	89.2	737.0	96.3	739.2	99.5	741.9	104	743.6	108
	116.0	697.4	79.7	710.6	86.5	720.7	94.9	727.3	103	731.3	110	733.9	113	737.5	118	739.7	121
	145.0	685.5	93.1	701.4	99.9	713.7	108	721.2	116	726.0	123	729.1	126	733.1	131	735.7	135
	174.0	674.5	106	692.6	113	706.6	122	715.0	129	720.7	137	724.7	140	729.1	145	732.2	148
	203.1	663.9	120	684.2	127	700.0	135	709.3	143	715.9	150	720.3	153	725.1	158	728.7	161
	232.1	653.8	133	675.8	140	693.4	149	704.0	156	711.5	163	715.9	167	721.6	171	725.1	175
	261.1			668.3	154	687.3	162	698.7	170	706.6	177	711.5	180	718.1	185	721.6	188
	290.1			660.4	167	681.1	175	693.9	183	702.2	190	707.5	193	714.1	198	718.5	202
	319.1			652.9	180	675.4	189	688.6	197	697.8	204	703.6	207	711.1	212	715.5	215
	348.1			645.9	194	669.7	202	683.8	210	693.4	217	699.6	220	707.5	225	712.4	229
7000-50	29.0	922.4	49.6	928.6	58.2	933.0	68.9	936.0	78.7	937.8	87.7	939.1	91.6	940.4	97.9	941.8	102
	58.0	902.6	66.4	912.7	75.0	920.6	85.7	925.5	95.5	928.6	104	930.8	108	933.4	115	935.2	119
	87.0	885.4	83.1	899.1	91.7	910.1	103	916.2	112	920.6	121	923.7	125	927.2	131	929.4	136
	116.0	869.6	99.9	886.7	108	899.9	119	907.9	129	913.6	138	916.7	142	921.1	148	924.1	153
	145.0	855.0	117	874.8	125	890.7	136	899.9	146	906.5	155	910.5	159	915.8	165	918.9	169
	174.0	840.9	134	863.4	142	881.4	153	892.4	163	899.9	172	904.8	175	910.5	182	914.5	186
	203.1	827.3	150	852.8	159	873.1	170	885.4	179	893.8	188	899.1	192	905.7	198	909.6	203
	232.1	814.1	167	842.3	176	864.7	186	878.4	196	887.6	205	893.3	209	900.8	215	905.2	220
	261.1			832.6	192	856.8	203	871.8	213	881.9	222	888.0	226	896.0	232	901.3	236
	290.1			822.4	209	849.3	220	865.2	230	876.2	239	882.8	242	891.6	249	896.9	253
	319.1			813.2	226	841.4	237	858.5	246	870.4	255	877.9	259	887.2	266	892.9	270
	348.1			804.0	243	834.3	253	852.4	263	865.2	272	873.1	276	882.8	282	888.9	287
7000-67	29.0	1242	59.3	1249	68.9	1254	80.9	1257	91.7	1260	102	1261	106	1263	113	1264	118
	58.0	1220	81.8	1231	91.3	1240	103	1246	114	1250	124	1252	129	1255	136	1257	141
	87.0	1201	104	1216	114	1228	126	1235	137	1240	147	1243	151	1247	158	1250	163
	116.0	1183	127	1202	136	1217	148	1226	159	1232	169	1236	174	1241	181	1244	186
	145.0	1166	149	1189	159	1206	171	1217	182	1224	192	1229	196	1235	203	1239	208
	174.0	1150	172	1176	181	1196	193	1209	204	1217	214	1222	219	1229	226	1233	231
	203.1	1135	194	1164	204	1187	216	1201	227	1210	237	1216	241	1223	248	1228	253
	232.1	1121	217	1152	226	1177	238	1193	249	1203	259	1209	264	1218	270	1223	275
	261.1			1141	249	1169	261	1185	272	1197	282	1204	286	1213	293	1218	298
	290.1			1130	271	1160	283	1178	294	1190	304	1198	308	1208	315	1214	320
	319.1			1119	294	1151	306	1171	316	1184	327	1192	331	1202	338	1209	343
	348.1			1109	316	1143	328	1164	339								

Blackmer reserves the right to change the data in the table without prior notice.

7000 PERFORMANCE @ 50Hz (CON'T)

U.S. STANDARD

Speed n=950 rpm

Specification	Pressure ΔP PSI	Viscosity (mm ² /s) (cSt)															
		75		150		300		500		750		1000		1500		2000	
		Capacity GPM	Power HP	Capacity GPM	Power HP	Capacity GPM	Power HP	Capacity GPM	Power HP	Capacity GPM	Power HP	Capacity GPM	Power HP	Capacity GPM	Power HP	Capacity GPM	Power HP
7000-96	29.0	1816	76.7	1825	88.1	1833	102	1838	115	1841	127	1843	133	1846	141	1847	147
	58.0	1783	110	1800	121	1813	135	1821	148	1826	160	1829	165	1834	174	1836	180
	87.0	1755	142	1777	154	1795	168	1806	181	1813	193	1817	198	1823	207	1827	213
	116.0	1729	175	1756	187	1778	201	1791	214	1801	226	1806	231	1814	240	1818	245
	145.0	1704	208	1737	220	1763	234	1779	247	1789	259	1796	264	1805	272	1810	278
	174.0			1718	252	1748	267	1766	280	1778	292	1786	297	1796	305	1802	311
	203.1			1700	285	1734	300	1754	312	1768	324	1777	330	1788	338	1795	344
	232.1			1683	318	1720	332	1743	345	1758	357						
7000-128	29.0	2455	97.8	2461	112	2466	130	2469	145	2471	160	2472	167	2473	177	2475	184
	58.0	2434	142	2444	156	2453	173	2458	189	2461	204	2463	211	2466	221	2468	228
	87.0	2416	185	2430	199	2441	217	2448	233	2453	248	2456	254	2459	264	2462	272
	116.0	2400	229	2417	243	2431	261	2440	277	2445	292	2449	298	2453	308	2456	316
	145.0	2384	273	2405	287	2421	305	2431	321	2438	335	2442	342	2448	352	2451	359
	174.0	2369	317	2393	331	2412	349	2423	364								
7000-144	29.0	2754	107	2763	122	2769	141	2774	158	2776	173	2778	180	2780	191	2782	199
	58.0	2727	156	2741	171	2752	190	2759	207	2764	223	2766	230	2770	240	2772	248
	87.0	2702	205	2721	220	2737	239	2746	256	2752	272	2756	279	2761	290	2764	297
	116.0	2680	255	2704	270	2723	289	2734	305	2742	321	2746	328	2753	339	2757	347
	145.0	2659	304	2687	319	2709	338	2723	355								



Speed n=950 rpm

METRIC

Specification	Pressure ΔP bar	Viscosity (mm ² /s) (cSt)															
		75		150		300		500		750		1000		1500		2000	
		Capacity m ³ /h	Power kW	Capacity m ³ /h	Power kW	Capacity m ³ /h	Power kW	Capacity m ³ /h	Power kW	Capacity m ³ /h	Power kW	Capacity m ³ /h	Power kW	Capacity m ³ /h	Power kW	Capacity m ³ /h	Power kW
7000-40	2	167.7	29.4	168.8	34.5	169.6	40.8	170.1	46.5	170.5	51.8	170.7	54.2	171.0	57.8	171.1	60.4
	4	164.2	39.4	166.0	44.5	167.4	50.8	168.3	56.5	168.8	61.8	169.2	64.2	169.7	67.8	170.0	70.4
	6	161.2	49.4	163.6	54.5	165.5	60.8	166.6	66.5	167.4	71.8	167.9	74.2	168.5	77.8	168.9	80.4
	8	158.4	59.4	161.4	64.5	163.7	70.8	165.2	76.5	166.1	81.8	166.7	84.2	167.5	87.8	168.0	90.4
	10	155.7	69.4	159.3	74.5	162.1	80.8	163.8	86.5	164.9	91.8	165.6	94.2	166.5	97.8	167.1	100.4
	12	153.2	79.4	157.3	84.5	160.5	90.8	162.4	96.5	163.7	101.8	164.6	104.2	165.6	107.8	166.3	110.4
	14	150.8	89.4	155.4	94.5	159.0	100.8	161.1	106.5	162.6	111.8	163.6	114.2	164.7	117.8	165.5	120.4
	16	148.5	99.4	153.5	104.5	157.5	110.8	159.9	116.5	161.6	121.8	162.6	124.2	163.9	127.8	164.7	130.4
	18			151.8	114.5	156.1	120.8	158.7	126.5	160.5	131.8	161.6	134.2	163.1	137.8	163.9	140.4
	20			150.0	124.5	154.7	130.8	157.6	136.5	159.5	141.8	160.7	144.2	162.2	147.8	163.2	150.4
	22			148.3	134.5	153.4	140.8	156.4	146.6	158.5	151.8	159.8	154.2	161.5	157.8	162.5	160.4
24			146.7	144.5	152.1	150.8	155.3	156.6	157.5	161.8	158.9	164.2	160.7	167.8	161.8	170.4	
7000-50	2	209.5	37.0	210.9	43.4	211.9	51.4	212.6	58.7	213.0	65.4	213.3	68.3	213.6	73.0	213.9	76.2
	4	205.0	49.5	207.3	55.9	209.1	63.9	210.2	71.2	210.9	77.9	211.4	80.8	212.0	85.5	212.4	88.7
	6	201.1	62.0	204.2	68.4	206.7	76.5	208.1	83.7	209.1	90.4	209.8	93.3	210.6	98.0	211.1	101.2
	8	197.5	74.5	201.4	80.9	204.4	89.0	206.2	96.2	207.5	102.9	208.2	105.8	209.2	110.5	209.9	113.8
	10	194.2	87.0	198.7	93.4	202.3	101.5	204.4	108.7	205.9	115.4	206.8	118.3	208.0	123.0	208.7	126.3
	12	191.0	99.6	196.1	105.9	200.2	114.0	202.7	121.2	204.4	127.9	205.5	130.8	206.8	135.5	207.7	138.8
	14	187.9	112.1	193.7	118.4	198.3	126.5	201.1	133.7	203.0	140.4	204.2	143.3	205.7	148.0	206.6	151.3
	16	184.9	124.6	191.3	130.9	196.4	139.0	199.5	146.2	201.6	152.9	202.9	155.8	204.6	160.5	205.6	163.8
	18			189.1	143.4	194.6	151.5	198.0	158.7	200.3	165.4	201.7	168.3	203.5	173.0	204.7	176.3
	20			186.8	155.9	192.9	164.0	196.5	171.2	199.0	177.9	200.5	180.8	202.5	185.5	203.7	188.8
	22			184.7	168.4	191.1	176.5	195.0	183.7	197.7	190.4	199.4	193.3	201.5	198.0	202.8	201.3
24			182.6	180.9	189.5	189.0	193.6	196.2	196.5	202.9	198.3	205.8	200.5	210.5	201.9	213.8	
7000-67	2	282.2	44.2	283.7	51.4	284.9	60.3	285.6	68.4	286.1	75.9	286.4	79.2	286.8	84.4	287.0	88.1
	4	277.1	61.0	279.7	68.1	281.7	77.1	282.9	85.2	283.8	92.7	284.3	96.0	285.0	101.2	285.4	104.9
	6	272.7	77.7	276.2	84.9	278.9	93.9	280.6	101.9	281.7	109.4	282.4	112.7	283.3	117.9	283.9	121.6
	8	268.7	94.5	273.0	101.6	276.4	110.6	278.4	118.7	279.8	126.2	280.7	129.5	281.8	134.7	282.5	138.4
	10	264.9	111.2	270.0	118.4	274.0	127.4	276.4	135.5	278.1	142.9	279.1	146.2	280.4	151.4	281.3	155.1
	12	261.3	128.0	267.1	135.1	271.7	144.1	274.5	152.2	276.4	159.7	277.6	163.0	279.1	168.2	280.1	171.9
	14	257.8	144.7	264.4	151.9	269.6	160.9	272.7	169.0	274.8	176.4	276.2	179.8	277.8	184.9	278.9	188.6
	16	254.5	161.5	261.7	168.6	267.4	177.6	270.9	185.7	273.3	193.2	274.7	196.5	276.6	201.7	277.8	205.4
	18			259.1	185.4	265.4	194.4	269.2	202.5	271.8	210.0	273.4	213.3	275.4	218.5	276.7	222.1
	20			256.7	202.1	263.4	211.1	267.5	219.2	270.3	226.7	272.1	230.0	274.3	235.2	275.7	238.9
	22			254.2	218.9	261.5	227.9	265.9	236.0	268.9	243.5	270.8	246.8	273.1	252.0	274.6	255.6
24			251.8	235.7	259.6	244.6	264.3	252.7									

7000 PERFORMANCE @ 50Hz (CON'T)

Speed n=950 rpm

METRIC

Specification	Pressure ΔP bar	Viscosity (mm ² /s) (cSt)															
		75		150		300		500		750		1000		1500		2000	
		Capacity m ³ /h	Power kW	Capacity m ³ /h	Power kW	Capacity m ³ /h	Power kW	Capacity m ³ /h	Power kW	Capacity m ³ /h	Power kW	Capacity m ³ /h	Power kW	Capacity m ³ /h	Power kW	Capacity m ³ /h	Power kW
7000-96	2	412.4	57.2	414.6	65.7	416.4	76.4	417.5	86.1	418.2	95.0	418.7	98.9	419.2	105.1	419.6	109.5
	4	405.0	81.7	408.8	90.2	411.7	100.9	413.5	110.5	414.8	119.5	415.5	123.4	416.5	129.6	417.1	134.0
	6	398.5	106.2	403.6	114.7	407.7	125.4	410.1	135.0	411.8	144.0	412.8	147.9	414.1	154.1	415.0	158.5
	8	392.6	130.7	398.9	139.2	403.9	149.9	406.9	159.5	409.0	168.4	410.3	172.4	411.9	178.6	413.0	183.0
	10	387.0	155.2	394.5	163.7	400.4	174.4	404.0	184.0	406.4	192.9	407.9	196.9	409.9	203.1	411.1	207.4
	12			390.2	188.2	397.1	198.9	401.2	208.5	403.9	217.4	405.7	221.4	407.9	227.6	409.3	231.9
	14			386.2	212.7	393.8	223.4	398.4	233.0	401.6	241.9	403.6	245.9	406.0	252.0	407.6	256.4
	16			382.3	237.2	390.7	247.9	395.8	257.5	399.3	266.4						
7000-128	2	557.5	72.9	558.9	83.4	560.0	96.6	560.7	108.5	561.2	119.4	561.5	124.3	561.8	131.9	562.1	137.3
	4	552.8	105.6	555.2	116.1	557.1	129.3	558.2	141.1	559.0	152.1	559.5	157.0	560.1	164.6	560.5	170.0
	6	548.7	138.3	551.9	148.7	554.5	161.9	556.1	173.8	557.1	184.8	557.8	189.6	558.6	197.2	559.1	202.6
	8	545.0	170.9	549.0	181.4	552.1	194.6	554.1	206.4	555.4	217.4	556.2	222.3	557.2	229.9	557.9	235.3
	10	541.4	203.6	546.2	214.0	549.9	227.2	552.2	239.1	553.7	250.1	554.7	254.9	555.9	262.5	556.7	267.9
	12	538.1	236.2	543.5	246.7	547.8	259.9	550.4	271.8								
7000-144	2	625.6	79.7	627.5	90.9	629.0	104.9	630.0	117.6	630.6	129.3	631.0	134.5	631.5	142.6	631.8	148.4
	4	619.3	116.4	622.5	127.6	625.1	141.7	626.6	154.3	627.7	166.0	628.3	171.2	629.1	179.3	629.7	185.1
	6	613.8	153.2	618.1	164.4	621.6	178.4	623.7	191.1	625.1	202.8	626.0	208.0	627.1	216.1	627.8	221.8
	8	608.7	189.9	614.1	201.1	618.4	215.2	621.0	227.8	622.7	239.5	623.8	244.7	625.2	252.8	626.1	258.6
	10	603.9	226.7	610.3	237.8	615.4	251.9	618.4	264.6								



2 H SERIES

9800 PERFORMANCE @ 50Hz

U.S. STANDARD

Speed n=950 rpm

Specification	Pressure ΔP PSI	Viscosity (mm ² /s) (cSt)															
		75		150		300		500		750		1000		1500		2000	
		Capacity GPM	Power HP	Capacity GPM	Power HP	Capacity GPM	Power HP	Capacity GPM	Power HP	Capacity GPM	Power HP	Capacity GPM	Power HP	Capacity GPM	Power HP	Capacity GPM	Power HP
9800-60	29.0	1168	55.5	1176	64.5	1184	75.6	1188	85.8	1191	95.2	1193	99.4	1195	106	1197	110
	58.0	1137	76.7	1153	85.6	1165	96.8	1172	107	1177	116	1180	120	1184	127	1187	132
	87.0	1111	97.8	1132	107	1148	118	1158	128	1165	137	1169	142	1175	148	1178	153
	116.0	1087	119	1113	128	1133	139	1145	149	1154	159	1159	163	1165	169	1170	174
	145.0	1064	140	1095	149	1119	160	1133	170	1143	180	1149	184	1157	190	1162	195
	174.0	1043	161	1077	170	1105	181	1122	191	1133	201	1140	205	1149	211	1155	216
	203.1	1022	182	1061	191	1092	202	1111	213	1124	222	1132	226	1142	233	1148	237
	232.1	1002	203	1045	212	1079	224	1100	234	1114	243	1123	247	1134	254	1141	258
	261.1	982	225	1029	233	1067	245	1090	255	1105	264	1115	268	1127	275	1135	279
	290.1	963	246	1014	255	1055	266	1080	276	1096	285	1107	290	1120	296	1128	301
	319.1			1000	276	1043	287	1070	297	1088	307	1099	311	1113	317	1122	322
348.1			986	297	1032	308	1060	318	1080	328	1091	332	1107	338	1117	343	
9800-80	29.0	1563	66.6	1574	77	1582	89	1587	101	1591	111	1593	116	1596	123	1598	128
	58.0	1527	94.8	1545	105	1559	117	1568	129	1574	139	1578	144	1583	151	1585	156
	87.0	1495	123	1520	133	1540	146	1552	157	1559	167	1565	172	1571	179	1575	185
	116.0	1466	151	1497	161	1522	174	1536	185	1546	196	1552	200	1560	207	1566	213
	145.0	1439	179	1475	189	1504	202	1522	213	1533	224	1541	228	1550	236	1556	241
	174.0	1413	208	1455	218	1488	230	1508	242	1522	252	1530	257	1541	264	1548	269
	203.1	1389	236	1435	246	1472	258	1495	270	1510	280	1520	285	1532	292	1539	297
	232.1	1365	264	1416	274	1457	286	1482	298	1499	308	1510	313	1523	320	1531	325
	261.1	1342	292	1398	302	1443	315	1470	326	1488	336	1500	341	1515	348	1524	353
	290.1	1319	320	1380	330	1429	343	1458	354	1478	365	1490	369	1506	377	1516	382
	319.1					1415	371	1446	382	1467	393	1481	397	1498	405	1509	410
348.1							1435	410	1458	421	1472	426	1490	433	1502	438	
9800-120	29.0	2379	93.1	2388	106	2396	123	2400	138	2403	152	2404	158	2407	167	2408	174
	58.0	2349	135	2364	148	2377	165	2384	180	2389	194	2392	200	2396	210	2398	216
	87.0	2323	178	2344	191	2360	207	2370	222	2377	236	2381	242	2386	252	2389	259
	116.0	2299	220	2324	233	2345	250	2357	265	2365	278	2370	285	2378	294	2381	301
	145.0	2276	262	2307	275	2330	292	2345	307	2355	321	2361	327	2369	336	2374	343
	174.0	2255	304	2289	318	2317	334	2333	349	2345	363	2352	369	2361	379	2367	385
	203.1			2273	360	2304	376	2322	391	2335	405	2343	411	2353	421	2360	428
	232.1			2257	402	2291	419	2312	434	2326	447	2335	454	2346	463	2353	470
9800-144	29.0	2998	115	3008	132	3016	152	3021	170	3025	187	3027	195	3030	206	3031	215
	58.0	2964	169	2982	185	2995	205	3004	223	3009	240	3012	248	3017	260	3020	268
	87.0	2935	222	2958	238	2977	258	2988	277	2995	294	3000	301	3006	313	3010	321
	116.0	2908	275	2937	291	2960	311	2973	330	2983	347	2989	354	2996	366	3001	374
	145.0			2916	344	2943	365	2960	383	2971	400	2978	407	2987	419	2992	427
	174.0					2928	418	2947	436	2960	453	2967	460	2978	472	2984	481
9800-170	29.0	3546	131	3557	148	3565	171	3571	191	3574	209	3576	217	3579	230	3581	239
	58.0	3511	194	3529	211	3543	233	3552	253	3557	272	3561	280	3566	293	3569	302
	87.0	3480	256	3504	274	3524	296	3535	316	3543	335	3548	343	3554	356	3558	365
	116.0	3452	319	3482	337	3506	359	3520	379	3530	397	3536	406	3544	418	3549	428
	145.0					3489	422	3506	442	3518	460	3525	468	3534	481	3540	490

Blackmer reserves the right to change the data in the table without prior notice.



Speed n=950 rpm

METRIC

Specification	Pressure ΔP bar	Viscosity (mm ² /s) (cSt)															
		75		150		300		500		750		1000		1500		2000	
		Capacity m ³ /h	Power kW	Capacity m ³ /h	Power kW	Capacity m ³ /h	Power kW	Capacity m ³ /h	Power kW	Capacity m ³ /h	Power kW	Capacity m ³ /h	Power kW	Capacity m ³ /h	Power kW	Capacity m ³ /h	Power kW
9800-60	2	265.2	41.4	267.2	48.1	268.9	56.4	269.9	64.0	270.5	71.0	271.0	74.1	271.5	78.9	271.8	82.4
	4	258.3	57.2	261.8	63.8	264.6	72.2	266.2	79.8	267.4	86.7	268.1	89.8	269.0	94.7	269.5	98.1
	6	252.3	72.9	257.0	79.6	260.8	88.0	263.0	95.5	264.6	102.5	265.5	105.6	266.8	110.4	267.5	113.9
	8	246.8	88.7	252.7	95.3	257.3	103.7	260.1	111.3	262.0	118.3	263.2	121.4	264.7	126.2	265.7	129.6
	10	241.7	104.4	248.6	111.1	254.1	119.5	257.4	127.0	259.6	134.0	261.0	137.1	262.8	142.0	264.0	145.4
	12	236.8	120.2	244.7	126.9	251.0	135.3	254.8	142.8	257.3	149.8	259.0	152.9	261.0	157.7	262.3	161.2
	14	232.1	136.0	240.9	142.6	248.0	151.0	252.3	158.6	255.2	165.5	257.0	168.6	259.3	173.5	260.7	176.9
	16	227.5	151.7	237.3	158.4	245.1	166.8	249.8	174.3	253.1	181.3	255.1	184.4	257.6	189.2	259.2	192.7
	18	223.1	167.5	233.8	174.1	242.4	182.5	247.5	190.1	251.0	197.1	253.2	200.2	256.0	205.0	257.7	208.4
	20	218.8	183.2	230.4	189.9	239.7	198.3	245.2	205.8	249.0	212.8	251.4	215.9	254.4	220.8	256.3	224.2
	22			227.1	205.7	237.0	214.1	243.0	221.6	247.1	228.6	249.7	231.7	252.9	236.5	254.9	240.0
	24			223.9	221.4	234.5	229.8	240.8	237.4	245.2	244.3	247.9	247.4	251.4	252.3	253.6	255.7
9800-80	2	354.9	49.7	357.4	57.2	359.3	66.5	360.5	75.0	361.3	82.8	361.8	86.3	362.5	91.7	362.9	95.5
	4	346.8	70.7	350.9	78.2	354.2	87.6	356.2	96.0	357.5	103.8	358.4	107.3	359.5	112.7	360.1	116.5
	6	339.6	91.7	345.2	99.2	349.7	108.6	352.4	117.0	354.2	124.8	355.4	128.3	356.8	133.7	357.8	137.6
	8	333.0	112.7	340.0	120.2	345.6	129.6	348.9	138.0	351.2	145.8	352.6	149.3	354.4	154.7	355.6	158.6
	10	326.9	133.7	335.1	141.2	341.7	150.6	345.6	159.0	348.3	166.9	350.0	170.3	352.1	175.7	353.5	179.6
	12	321.0	154.8	330.5	162.2	338.0	171.6	342.5	180.1	345.6	187.9	347.5	191.3	350.0	196.8	351.5	200.6
	14	315.4	175.8	326.0	183.2	334.4	192.6	339.5	201.1	343.0	208.9	345.2	212.3	347.9	217.8	349.6	221.6
	16	310.0	196.8	321.7	204.2	331.0	213.6	336.6	222.1	340.5	229.9	342.9	233.4	345.9	238.8	347.8	242.6
	18	304.7	217.8	317.5	225.3	327.7	234.6	333.9	243.1	338.0	250.9	340.7	254.4	344.0	259.8	346.1	263.6
	20	299.6	238.8	313.5	246.3	324.5	255.7	331.1	264.1	335.7	271.9	338.5	275.4	342.1	280.8	344.4	284.6
	22					321.4	276.7	328.5	285.1	333.3	292.9	336.4	296.4	340.3	301.8	342.7	305.7
	24							325.9	306.1	331.1	313.9	334.4	317.4	338.5	322.8	341.1	326.7
9800-120	2	540.4	69.4	542.4	79.2	544.1	91.6	545.1	102.7	545.7	113.0	546.1	117.6	546.7	124.8	547.0	129.8
	4	533.6	100.9	537.0	110.7	539.8	123.1	541.4	134.3	542.6	144.6	543.3	149.1	544.2	156.3	544.7	161.3
	6	527.6	132.4	532.3	142.2	536.0	154.6	538.3	165.8	539.8	176.1	540.8	180.6	542.0	187.8	542.7	192.9
	8	522.1	163.9	527.9	173.8	532.6	186.1	535.4	197.3	537.2	207.6	538.4	212.2	540.0	219.3	540.9	224.4
	10	517.0	195.4	523.9	205.3	529.3	217.7	532.6	228.8	534.9	239.1	536.3	243.7	538.1	250.8	539.2	255.9
	12	512.1	227.0	520.0	236.8	526.2	249.2	530.0	260.3	532.6	270.6	534.2	275.2	536.3	282.4	537.5	287.4
	14			516.2	268.3	523.3	280.7	527.5	291.9	530.4	302.2	532.2	306.7	534.5	313.9	536.0	319.0
	16			512.7	299.8	520.4	312.2	525.1	323.4	528.3	333.7	530.3	338.2	532.9	345.4	534.5	350.5
9800-144	2	681.0	86.0	683.3	98.1	685.1	113.3	686.2	126.9	687.0	139.6	687.5	145.2	688.1	153.9	688.4	160.1
	4	673.3	125.7	677.2	137.7	680.3	152.9	682.2	166.6	683.4	179.2	684.2	184.8	685.2	193.6	685.9	199.8
	6	666.6	165.3	671.9	177.4	676.1	192.6	678.6	206.2	680.3	218.9	681.4	224.4	682.8	233.2	683.6	239.4
	8	660.4	205.0	667.0	217.0	672.2	232.2	675.3	245.9	677.5	258.5	678.8	264.1	680.5	272.9	681.6	279.1
	10			662.4	256.7	668.5	271.9	672.2	285.5	674.8	298.2	676.4	303.7	678.4	312.5	679.6	318.7
	12					665.1	311.5	669.3	325.2	672.2	337.8	674.0	343.4	676.3	352.2	677.8	358.4
9800-170	2	805.5	97.5	807.9	110.6	809.8	127.2	811.0	142.1	811.8	155.9	812.3	162.0	812.9	171.6	813.3	178.4
	4	797.4	144.3	801.5	157.4	804.8	174.0	806.7	188.9	808.0	202.7	808.9	208.8	809.9	218.4	810.6	225.2
	6	790.4	191.1	795.9	204.2	800.3	220.8	803.0	235.7	804.8	249.5	805.9	255.6	807.3	265.2	808.2	272.0
	8	784.0	237.9	790.8	251.0	796.3	267.6	799.5	282.6	801.8	296.3	803.2	302.5	805.0	312.0	806.1	318.8
	10					792.5	314.4	796.3	329.4	799.0	343.2	800.6	349.3	802.7	358.8	804.1	365.6

Blackmer reserves the right to change the data in the table without prior notice.



2 H SERIES

18000 PERFORMANCE @ 50Hz

U.S. STANDARD

Speed n=950 rpm

Specification	Pressure ΔP PSI	Viscosity (mm ² /s) (cSt)															
		75		150		300		500		750		1000		1500		2000	
		Capacity GPM	Power HP	Capacity GPM	Power HP	Capacity GPM	Power HP	Capacity GPM	Power HP	Capacity GPM	Power HP	Capacity GPM	Power HP	Capacity GPM	Power HP	Capacity GPM	Power HP
18000-67	29.0	1753	123	1761	146	1766	176	1770	203	1773	228	1774	239	1776	256	1777	268
	58.0	1729	154	1741	178	1751	207	1757	234	1761	259	1764	270	1767	288	1769	300
	87.0	1707	185	1725	209	1738	239	1746	266	1751	290	1755	301	1759	319	1762	331
	116.0	1688	216	1709	240	1725	270	1735	297	1742	322	1747	333	1752	350	1755	362
	145.0	1670	247	1694	271	1714	301	1725	328	1733	353	1739	364	1745	381	1749	393
	174.0	1652	279	1680	302	1703	332	1716	359	1725	384	1731	395	1739	412	1743	425
	203.1	1635	310	1667	334	1692	363	1707	390	1718	415	1724	426	1733	443	1738	456
	232.1	1619	341	1654	365	1682	395	1699	422	1710	446	1718	457	1726	475	1732	487
	261.1	1603	372	1642	396	1672	426	1690	453	1703	478	1711	489	1721	506	1727	518
	290.1	1588	403	1629	427	1662	457	1682	484	1696	509	1704	520	1715	537	1722	549
	319.1	1573	435	1618	458	1653	488	1674	515	1689	540	1698	551	1710	568	1717	581
	348.1	1559	466	1606	490	1644	520	1666	546	1682	571	1692	582	1704	600	1712	612
18000-90	29.0	2377	151	2385	179	2391	215	2395	247	2398	277	2399	290	2401	310	2403	325
	58.0	2350	193	2364	221	2374	257	2381	289	2385	319	2388	332	2392	352	2394	367
	87.0	2327	235	2345	264	2360	299	2369	331	2374	361	2378	374	2383	395	2386	409
	116.0	2306	277	2329	306	2346	341	2357	373	2365	403	2369	416	2375	437	2379	451
	145.0	2286	320	2312	348	2334	384	2347	416	2355	445	2361	458	2368	479	2372	493
	174.0	2267	362	2297	390	2322	426	2337	458	2347	487	2353	500	2361	521	2366	536
	203.1	2249	404	2283	432	2310	468	2327	500	2338	529	2345	543	2354	563	2359	578
	232.1	2231	446	2269	474	2299	510	2318	542	2330	572	2338	585	2348	605	2354	620
	261.1	2214	488	2256	516	2289	552	2308	584	2322	614	2330	627	2341	647	2348	662
	290.1	2197	530	2242	559	2278	594	2300	626	2314	656	2323	669	2335	690	2343	704
	319.1			2230	601	2268	636	2291	668	2307	698	2317	711	2329	732	2337	746
	348.1			2217	643	2258	678	2282	710	2300	740	2310	753	2323	774	2332	789
18000-135	29.0	3589	194	3596	228	3602	270	3605	309	3608	345	3609	360	3611	385	3612	403
	58.0	3565	257	3578	291	3587	334	3593	372	3597	408	3599	424	3602	448	3604	466
	87.0	3545	320	3561	354	3574	397	3582	435	3587	471	3590	487	3594	511	3597	529
	116.0	3526	383	3546	417	3562	460	3572	499	3578	534	3583	550	3587	575	3591	592
	145.0	3508	447	3532	481	3551	523	3562	562	3570	597	3575	613	3581	638	3585	655
	174.0	3491	510	3519	544	3540	587	3553	625	3562	661	3568	676	3575	701	3579	719
	203.1			3506	607	3530	650	3545	688	3555	724	3561	740	3569	764	3574	782
	232.1			3494	670	3520	713	3536	751	3547	787	3554	803	3563	828	3568	845
18000-150	29.0	4126	206	4137	241	4145	285	4150	324	4154	361	4156	377	4158	402	4160	420
	58.0	4091	279	4109	314	4123	358	4132	397	4137	434	4141	450	4146	475	4149	493
	87.0	4060	352	4084	387	4104	431	4115	470	4123	506	4128	522	4134	548	4138	566
	116.0	4032	425	4062	460	4086	504	4100	543	4110	579	4116	595	4124	621	4129	638
	145.0	4006	498	4041	533	4069	576	4086	616	4098	652	4105	668	4114	693	4120	711
	174.0			4021	605	4053	649	4073	689	4086	725	4094	741	4105	766	4111	784
18000-170	29.0	4678	232	4689	271	4698	320	4704	364	4707	405	4709	423	4712	452	4714	472
	58.0	4642	315	4661	354	4675	403	4684	447	4690	488	4694	506	4699	534	4702	554
	87.0	4611	397	4636	436	4656	485	4667	529	4675	570	4681	588	4687	617	4691	637
	116.0	4582	480	4613	519	4637	568	4652	612	4662	653	4668	671	4676	699	4681	719
	145.0			4591	601	4620	650	4637	695	4649	735	4657	753	4666	782	4672	802
18000-192	29.0	5293	246	5304	285	5313	335	5318	380	5322	422	5324	440	5327	469	5329	490
	58.0	5256	339	5275	379	5290	429	5298	474	5304	515	5308	534	5313	562	5316	583
	87.0	5223	432	5249	472	5269	522	5281	567	5290	608	5295	627	5301	656	5305	676
	116.0	5194	526	5225	565	5250	615	5265	660	5275	702	5282	720	5290	749	5296	769
	145.0			5203	659	5233	708	5250	754	5263	795	5270	813	5280	842	5286	863

Blackmer reserves the right to change the data in the table without prior notice.



18000 PERFORMANCE @ 50Hz

Speed n=950 rpm

METRIC

Specification	Pressure ΔP bar	Viscosity (mm ² /s) (cSt)															
		75		150		300		500		750		1000		1500		2000	
		Capacity m ³ /h	Power kW	Capacity m ³ /h	Power kW	Capacity m ³ /h	Power kW	Capacity m ³ /h	Power kW	Capacity m ³ /h	Power kW	Capacity m ³ /h	Power kW	Capacity m ³ /h	Power kW	Capacity m ³ /h	Power kW
18000-67	2	398.2	91.4	399.9	109.1	401.2	131.4	402.0	151.5	402.6	170.0	402.9	178.2	403.4	191.1	403.6	200.2
	4	392.7	114.7	395.5	132.4	397.7	154.7	399.1	174.7	400.0	193.3	400.6	201.5	401.3	214.4	401.8	223.5
	6	387.8	137.9	391.7	155.6	394.7	177.9	396.5	198.0	397.8	216.6	398.5	224.8	399.5	237.6	400.2	246.8
	8	383.4	161.2	388.1	178.9	391.9	201.2	394.1	221.3	395.7	239.8	396.7	248.0	397.9	260.9	398.7	270.0
	10	379.2	184.5	384.8	202.2	389.2	224.5	391.9	244.5	393.7	263.1	394.9	271.3	396.3	284.2	397.3	293.3
	12	375.2	207.7	381.6	225.4	386.7	247.8	389.8	267.8	391.9	286.4	393.2	294.6	394.9	307.5	395.9	316.6
	14	371.4	231.0	378.6	248.7	384.3	271.0	387.8	291.1	390.1	309.6	391.6	317.9	393.5	330.7	394.7	339.9
	16	367.7	254.3	375.7	272.0	382.0	294.3	385.8	314.4	388.4	332.9	390.1	341.1	392.1	354.0	393.4	363.1
	18	364.2	277.6	372.9	295.3	379.8	317.6	383.9	337.6	386.8	356.2	388.6	364.4	390.8	377.3	392.2	386.4
	20	360.7	300.8	370.1	318.5	377.6	340.8	382.1	360.9	385.2	379.5	387.1	387.7	389.5	400.5	391.1	409.7
	22	357.3	324.1	367.4	341.8	375.5	364.1	380.3	384.2	383.6	402.7	385.7	410.9	388.3	423.8	389.9	433.0
	24	354.0	347.4	364.8	365.1	373.4	387.4	378.5	407.5	382.1	426.0	384.3	434.2	387.1	447.1	388.8	456.2
18000-90	2	539.8	112.6	541.6	133.7	543.1	160.3	544.0	184.2	544.6	206.3	544.9	216.1	545.4	231.4	545.7	242.3
	4	533.8	144.0	536.9	165.1	539.3	191.7	540.8	215.6	541.8	237.7	542.4	247.5	543.2	262.8	543.7	273.7
	6	528.5	175.4	532.7	196.5	536.0	223.1	538.0	247.0	539.3	269.1	540.2	278.9	541.2	294.3	541.9	305.1
	8	523.7	206.9	528.9	228.0	532.9	254.5	535.4	278.5	537.1	300.6	538.1	310.3	539.5	325.7	540.3	336.6
	10	519.2	238.3	525.2	259.4	530.1	286.0	533.0	309.9	535.0	332.0	536.2	341.8	537.8	357.1	538.8	368.0
	12	514.8	269.7	521.8	290.8	527.4	317.4	530.7	341.3	533.0	363.4	534.4	373.2	536.2	388.5	537.3	399.4
	14	510.7	301.1	518.5	322.2	524.7	348.8	528.5	372.7	531.0	394.8	532.6	404.6	534.7	420.0	535.9	430.8
	16	506.7	332.5	515.4	353.6	522.2	380.2	526.4	404.1	529.2	426.3	531.0	436.0	533.2	451.4	534.6	462.3
	18	502.8	364.0	512.3	385.1	519.8	411.6	524.3	435.6	527.4	457.7	529.3	467.5	531.8	482.8	533.3	493.7
	20	499.1	395.4	509.3	416.5	517.4	443.1	522.3	467.0	525.6	489.1	527.7	498.9	530.4	514.2	532.1	525.1
	22			506.4	447.9	515.1	474.5	520.4	498.4	523.9	520.5	526.2	530.3	529.0	545.6	530.8	556.5
	24			503.5	479.3	512.8	505.9	518.4	529.8	522.3	551.9	524.7	561.7	527.7	577.1	529.6	588.0
18000-135	2	815.2	144.5	816.8	169.9	818.1	201.7	818.8	230.5	819.4	257.0	819.7	268.7	820.1	287.1	820.4	300.2
	4	809.8	191.7	812.6	217.0	814.7	248.9	816.0	277.6	816.9	304.1	817.4	315.9	818.1	334.3	818.6	347.3
	6	805.2	238.8	808.8	264.1	811.8	296.0	813.5	324.7	814.7	351.3	815.5	363.0	816.4	381.4	817.0	394.5
	8	800.9	285.9	805.4	311.3	809.1	343.2	811.2	371.9	812.7	398.4	813.7	410.1	814.8	428.5	815.6	441.6
	10	796.8	333.1	802.2	358.4	806.5	390.3	809.1	419.0	810.9	445.5	812.0	457.3	813.4	475.7	814.2	488.7
	12	793.0	380.2	799.2	405.5	804.1	437.4	807.1	466.1	809.1	492.7	810.3	504.4	811.9	522.8	813.0	535.9
	14			796.3	452.7	801.8	484.6	805.1	513.3	807.4	539.8	808.8	551.5	810.6	569.9	811.7	583.0
	16			793.5	499.8	799.6	531.7	803.2	560.4	805.7	586.9	807.3	598.7	809.3	617.1	810.5	630.1
18000-150	2	937.1	153.9	939.6	179.8	941.5	212.4	942.6	241.8	943.4	268.9	943.9	280.9	944.5	299.7	944.9	313.1
	4	929.2	208.3	933.2	234.2	936.5	266.8	938.4	296.1	939.7	323.3	940.5	335.3	941.6	354.1	942.3	367.4
	6	922.2	262.6	927.7	288.5	932.1	321.1	934.7	350.5	936.5	377.6	937.6	389.6	939.0	408.4	939.9	421.8
	8	915.8	317.0	922.6	342.9	928.0	375.5	931.3	404.8	933.5	431.9	934.9	443.9	936.7	462.8	937.8	476.1
	10	909.8	371.3	917.8	397.2	924.2	429.8	928.1	459.2	930.7	486.3	932.4	498.3	934.4	517.1	935.8	530.5
	12			913.3	451.5	920.6	484.2	925.0	513.5	928.0	540.6	929.9	552.6	932.3	571.5	933.8	584.8
18000-170	2	1062.6	173.2	1065.1	202.3	1067.1	238.8	1068.3	271.7	1069.1	302.2	1069.6	315.6	1070.2	336.7	1070.6	351.7
	4	1054.4	234.8	1058.6	263.8	1061.9	300.4	1063.9	333.3	1065.3	363.7	1066.1	377.2	1067.2	398.3	1067.9	413.3
	6	1047.2	296.3	1052.9	325.4	1057.4	361.9	1060.1	394.8	1061.9	425.3	1063.1	438.7	1064.6	459.8	1065.5	474.8
	8	1040.6	357.9	1047.7	386.9	1053.2	423.5	1056.6	456.4	1058.9	486.8	1060.3	500.3	1062.1	521.4	1063.3	536.4
	10			1042.7	448.5	1049.3	485.0	1053.3	517.9	1056.0	548.4	1057.7	561.8	1059.8	582.9	1061.2	597.9
18000-192	2	1202.1	183.3	1204.6	212.9	1206.7	250.1	1207.9	283.7	1208.7	314.6	1209.2	328.3	1209.9	349.8	1210.3	365.1
	4	1193.7	252.9	1198.0	282.4	1201.4	319.7	1203.4	353.2	1204.8	384.2	1205.7	397.9	1206.8	419.4	1207.5	434.7
	6	1186.3	322.4	1192.1	352.0	1196.7	389.2	1199.5	422.8	1201.4	453.7	1202.6	467.4	1204.1	489.0	1205.0	504.2
	8	1179.6	392.0	1186.8	421.5	1192.5	458.8	1195.9	492.3	1198.2	523.3	1199.7	537.0	1201.6	558.5	1202.8	573.8
	10			1181.7	491.1	1188.5	528.3	1192.5	561.9	1195.3	592.8	1197.0	606.6	1199.2	628.1	1200.6	643.3

Blackmer reserves the right to change the data in the table without prior notice.



2 H SERIES

36000 PERFORMANCE @ 50Hz

U.S. STANDARD

Speed n=950 rpm

Specification	Pressure ΔP PSI	Viscosity (mm ² /s) (cSt)															
		75		150		300		500		750		1000		1500		2000	
		Capacity GPM	Power HP	Capacity GPM	Power HP	Capacity GPM	Power HP	Capacity GPM	Power HP	Capacity GPM	Power HP	Capacity GPM	Power HP	Capacity GPM	Power HP	Capacity GPM	Power HP
36000-75	29.0	3078	217	3086	259	3093	312	3097	360	3100	404	3101	424	3104	454	3105	476
	58.0	3049	271	3064	313	3075	366	3082	414	3087	459	3089	478	3093	509	3096	531
	87.0	3025	326	3044	368	3060	421	3069	469	3075	513	3079	533	3084	563	3087	585
	116.0	3002	380	3026	422	3045	475	3057	523	3065	567	3070	587	3076	618	3080	640
	145.0	2981	434	3009	477	3032	530	3045	578	3055	622	3061	641	3068	672	3073	694
	174.0	2961	489	2993	531	3019	584	3035	632	3045	676	3052	696	3060	727	3066	748
	203.1	2942	543	2978	585	3007	639	3025	686	3037	731	3044	750	3053	781	3060	803
	232.1	2923	598	2964	640	2995	693	3015	741	3028	785	3036	805	3047	835	3053	857
	261.1	2905	652	2949	694	2984	747	3005	795	3019	839	3029	859	3040	890	3047	911
	290.1	2887	706	2935	749	2973	802	2996	850	3012	894	3021	913	3034	944	3041	966
	319.1			2921	803	2962	856	2987	904	3003	948	3014	968	3027	999	3036	1020
348.1			2908	857	2952	911	2978	958	2996	1003	3007	1022	3021	1053	3030	1075	
36000-100	29.0	4084	264	4099	313	4111	376	4119	432	4124	484	4127	507	4131	544	4133	569
	58.0	4033	336	4059	386	4079	449	4092	505	4100	557	4106	580	4112	616	4116	642
	87.0	3988	409	4023	458	4051	521	4068	577	4079	629	4087	653	4095	689	4101	714
	116.0	3947	481	3991	531	4025	594	4046	650	4060	702	4069	725	4081	761	4088	787
	145.0	3908	554	3960	604	4001	666	4025	723	4042	775	4053	798	4066	834	4075	859
	174.0	3871	626	3931	676	3978	739	4006	795	4025	847	4037	870	4053	906	4062	932
	203.1	3837	699	3903	749	3955	811	3987	868	4009	920	4023	943	4040	979	4051	1005
	232.1	3803	771	3876	821	3934	884	3969	940	3993	992	4008	1015	4027	1051	4039	1077
	261.1	3770	844	3850	894	3914	956	3952	1013	3978	1065	3995	1088	4015	1124	4028	1150
	290.1	3738	917	3824	966	3893	1029	3935	1085	3963	1137	3981	1160	4003	1196	4018	1222
	319.1			3800	1039	3874	1101	3918	1158	3949	1210	3968	1233	3992	1269	4007	1295
348.1			3775	1111	3855	1174	3902	1230	3934	1282	3955	1305	3981	1342	3997	1367	
36000-150	29.0	6285	376	6300	445	6311	531	6318	609	6323	681	6326	713	6330	763	6332	799
	58.0	6238	487	6262	555	6281	642	6293	720	6301	792	6306	824	6312	874	6316	910
	87.0	6196	597	6229	666	6255	753	6271	831	6281	903	6288	935	6297	985	6302	1021
	116.0	6158	708	6199	777	6231	864	6250	942	6264	1014	6272	1046	6283	1096	6289	1132
	145.0	6122	819	6170	888	6208	975	6231	1053	6247	1125	6257	1157	6269	1207	6277	1242
	174.0	6087	930	6143	999	6187	1086	6213	1164	6231	1236	6242	1268	6257	1318	6266	1353
	203.1			6117	1110	6166	1196	6196	1274	6216	1347	6229	1379	6244	1429	6255	1464
	232.1			6091	1221	6146	1307	6179	1385	6201	1458	6215	1489	6233	1539	6244	1575
36000-170	29.0	7266	393	7281	462	7292	548	7299	626	7304	699	7307	730	7310	780	7313	816
	58.0	7218	521	7243	590	7262	676	7274	754	7282	826	7287	858	7293	909	7297	944
	87.0	7177	649	7210	718	7236	804	7251	882	7262	955	7269	986	7277	1036	7283	1072
	116.0	7138	777	7179	846	7212	932	7231	1010	7244	1082	7253	1114	7263	1164	7270	1200
	145.0			7151	974	7189	1060	7212	1138	7228	1210	7238	1242	7250	1292	7258	1328
	174.0					7167	1188	7194	1266	7212	1338	7223	1370	7237	1420	7247	1456
36000-210	29.0	8992	423	9007	492	9018	579	9025	657	9030	729	9033	761	9037	811	9039	846
	58.0	8945	581	8969	650	8988	737	9000	815	9008	887	9013	919	9019	969	9023	1004
	87.0	8903	739	8936	808	8962	895	8978	973	8988	1045	8995	1077	9004	1127	9009	1162
	116.0	8865	897	8906	966	8938	1053	8957	1131	8971	1203	8979	1235	8990	1285	8996	1320
	145.0					8915	1211	8938	1289	8954	1361	8964	1393	8976	1443	8984	1478

Blackmer reserves the right to change the data in the table without prior notice.

36000 PERFORMANCE @ 50Hz

Speed n=950 rpm

METRIC

Specification	Pressure ΔP bar	Viscosity (mm ² /s) (cSt)															
		75		150		300		500		750		1000		1500		2000	
		Capacity m ³ /h	Power kW	Capacity m ³ /h	Power kW	Capacity m ³ /h	Power kW	Capacity m ³ /h	Power kW	Capacity m ³ /h	Power kW	Capacity m ³ /h	Power kW	Capacity m ³ /h	Power kW	Capacity m ³ /h	Power kW
36000-75	2	699.0	161.6	700.9	193.1	702.5	232.8	703.4	268.4	704.0	301.4	704.4	316.0	704.9	338.9	705.2	355.1
	4	692.6	202.2	695.9	233.7	698.4	273.3	700.0	309.0	701.1	342.0	701.7	356.6	702.6	379.5	703.1	395.7
	6	687.0	242.8	691.4	274.3	694.9	313.9	697.0	349.6	698.5	382.6	699.4	397.2	700.5	420.0	701.2	436.3
	8	681.9	283.4	687.4	314.8	691.7	354.5	694.3	390.2	696.1	423.1	697.2	437.7	698.6	460.6	699.5	476.9
	10	677.1	323.9	683.5	355.4	688.7	395.0	691.7	430.7	693.8	463.7	695.2	478.3	696.8	501.2	697.9	517.4
	12	672.5	364.5	679.9	396.0	685.8	435.6	689.3	471.3	691.7	504.3	693.2	518.9	695.1	541.8	696.4	558.0
	14	668.1	405.1	676.4	436.5	683.0	476.2	687.0	511.9	689.7	544.8	691.4	559.4	693.5	582.3	694.9	598.6
	16	663.9	445.6	673.1	477.1	680.3	516.8	684.7	552.4	687.7	585.4	689.6	600.0	692.0	622.9	693.5	639.1
	18	659.8	486.2	669.8	517.7	677.8	557.3	682.5	593.0	685.8	626.0	687.9	640.6	690.5	663.5	692.1	679.7
	20	655.8	526.8	666.6	558.2	675.2	597.9	680.4	633.6	684.0	666.6	686.2	681.1	689.0	704.0	690.8	720.3
	22			663.5	598.8	672.8	638.5	678.4	674.1	682.1	707.1	684.5	721.7	687.5	744.6	689.5	760.8
24			660.5	639.4	670.4	679.0	676.3	714.7	680.4	747.7	682.9	762.3	686.1	785.2	688.2	801.4	
36000-100	2	927.5	196.7	931.0	233.7	933.8	280.4	935.5	322.4	936.6	361.2	937.3	378.4	938.2	405.4	938.8	424.5
	4	915.9	250.8	921.8	287.8	926.5	334.5	929.3	376.5	931.2	415.3	932.5	432.5	934.0	459.5	934.9	478.6
	6	905.8	304.8	913.8	341.9	920.1	388.6	923.9	430.6	926.5	469.4	928.2	486.6	930.2	513.6	931.5	532.7
	8	896.4	358.9	906.4	396.0	914.2	442.7	919.0	484.7	922.2	523.5	924.2	540.7	926.8	567.6	928.4	586.8
	10	887.7	413.0	899.4	450.1	908.7	496.8	914.3	538.8	918.1	577.6	920.5	594.8	923.6	621.7	925.5	640.9
	12	879.3	467.1	892.8	504.2	903.5	550.9	909.9	592.9	914.3	631.7	917.0	648.9	920.5	675.8	922.7	695.0
	14	871.4	521.2	886.5	558.3	898.4	605.0	905.6	647.0	910.6	685.8	913.7	703.0	917.6	729.9	920.0	749.1
	16	863.7	575.3	880.3	612.4	893.6	659.1	901.5	701.1	907.0	739.9	910.4	757.1	914.7	784.0	917.4	803.1
	18	856.2	629.4	874.4	666.5	888.9	713.2	897.6	755.2	903.5	794.0	907.3	811.2	912.0	838.1	914.9	857.2
	20	848.9	683.5	868.6	720.6	884.3	767.3	893.7	809.3	900.1	848.1	904.2	865.3	909.3	892.2	912.5	911.3
	22			863.0	774.7	879.8	821.4	890.0	863.4	896.9	902.2	901.2	919.4	906.7	946.3	910.1	965.4
24			857.5	828.8	875.5	875.4	886.3	917.5	893.6	956.3	898.3	973.5	904.1	1000.4	907.8	1019.5	
36000-150	2	1427.6	280.2	1430.9	331.5	1433.5	396.2	1435.1	454.4	1436.1	508.1	1436.8	531.9	1437.7	569.3	1438.2	595.8
	4	1416.8	362.8	1422.3	414.2	1426.7	478.8	1429.3	537.0	1431.1	590.8	1432.2	614.6	1433.7	651.9	1434.6	678.4
	6	1407.3	445.5	1414.8	496.8	1420.7	561.5	1424.3	619.7	1426.7	673.5	1428.2	697.3	1430.2	734.6	1431.4	761.1
	8	1398.6	528.2	1407.9	579.5	1415.2	644.2	1419.6	702.4	1422.7	756.2	1424.6	780.0	1427.0	817.3	1428.5	843.8
	10	1390.4	610.9	1401.4	662.2	1410.1	726.9	1415.3	785.1	1418.9	838.8	1421.1	862.6	1423.9	900.0	1425.7	926.5
	12	1382.6	693.5	1395.2	744.9	1405.2	809.5	1411.2	867.7	1415.2	921.5	1417.8	945.3	1421.1	982.7	1423.1	1009.1
	14			1389.3	827.5	1400.5	892.2	1407.2	950.4	1411.8	1004.2	1414.7	1028.0	1418.3	1065.3	1420.6	1091.8
16			1383.5	910.2	1395.9	974.9	1403.4	1033.1	1408.4	1086.9	1411.6	1110.7	1415.7	1148.0	1418.2	1174.5	
36000-170	2	1650.4	292.9	1653.7	344.2	1656.3	408.9	1657.8	467.1	1658.9	520.9	1659.6	544.7	1660.4	582.0	1660.9	608.5
	4	1639.5	388.4	1645.1	439.7	1649.4	504.4	1652.1	562.5	1653.9	616.3	1655.0	640.1	1656.4	677.5	1657.3	704.0
	6	1630.1	483.8	1637.5	535.1	1643.5	599.8	1647.0	658.0	1649.5	711.8	1651.0	735.6	1652.9	772.9	1654.1	799.4
	8	1621.3	579.2	1630.6	630.5	1638.0	695.2	1642.4	753.4	1645.4	807.2	1647.3	831.0	1649.7	868.3	1651.2	894.8
	10			1624.1	726.0	1632.8	790.7	1638.0	848.8	1641.6	902.6	1643.9	926.4	1646.7	963.8	1648.5	990.3
	12					1627.9	886.1	1633.9	944.3	1638.0	998.1	1640.6	1021.9	1643.8	1059.2	1645.9	1085.7
36000-210	2	2042.4	315.4	2045.7	366.7	2048.3	431.4	2049.9	489.6	2050.9	543.4	2051.6	567.2	2052.5	604.5	2053.0	631.0
	4	2031.6	433.3	2037.1	484.6	2041.5	549.3	2044.1	607.5	2045.9	661.2	2047.0	685.0	2048.5	722.4	2049.4	748.9
	6	2022.1	551.1	2029.6	602.5	2035.5	667.2	2039.1	725.3	2041.5	779.1	2043.0	802.9	2045.0	840.3	2046.2	866.7
	8	2013.4	669.0	2022.7	720.4	2030.0	785.0	2034.4	843.2	2037.5	897.0	2039.4	920.8	2041.8	958.1	2043.3	984.6
	10					2024.9	902.9	2030.1	961.1	2033.7	1014.9	2035.9	1038.7	2038.7	1076.0	2040.5	1102.5

Blackmer reserves the right to change the data in the table without prior notice.



U.S. STANDARD

Speed n=1450 rpm

Specification	Pressure ΔP PSI	Viscosity (mm ² /s) (cSt)															
		1		15		35		75		150		350		750		1500	
		Capacity GPM	Power HP	Capacity GPM	Power HP	Capacity GPM	Power HP	Capacity GPM	Power HP	Capacity GPM	Power HP	Capacity GPM	Power HP	Capacity GPM	Power HP	Capacity GPM	Power HP
150-10	29.0	11.8	1.0	12.0	1.2	12.1	1.4	12.2	1.8	12.3	2.2	12.3	2.8	12.4	3.6	12.4	4.0
	58.0	11.3	1.2	11.6	1.4	11.8	1.7	11.9	2.0	12.1	2.4	12.2	3.0	12.3	3.8	12.3	4.3
	87.0	10.8	1.4	11.2	1.6	11.5	1.9	11.7	2.2	11.9	2.6	12.1	3.3	12.2	4.0	12.2	4.5
	116.0	10.4	1.6	10.9	1.9	11.3	2.1	11.5	2.4	11.8	2.9	11.9	3.5	12.1	4.2	12.2	4.7
	145.0	10.0	1.9	10.7	2.1	11.0	2.3	11.4	2.7	11.6	3.1	11.8	3.7	12.0	4.5	12.1	4.9
	174.0	9.6	2.1	10.3	2.3	10.8	2.6	11.2	2.9	11.4	3.3	11.7	3.9	11.9	4.7	12.0	5.2
	203.1			10.1	2.5	10.6	2.8	11.0	3.1	11.3	3.5	11.6	4.2	11.8	4.9	12.0	5.4
	232.1			9.8	2.8	10.4	3.0	10.8	3.3	11.2	3.7	11.5	4.4	11.8	5.1	11.9	5.6
	261.1					10.2	3.2	10.7	3.6	11.1	4.0	11.4	4.6	11.7	5.4	11.8	5.8
	290.1					10.0	3.5	10.5	3.8	10.9	4.2	11.3	4.8	11.6	5.6	11.8	6.1
	319.1							10.4	4.0	10.8	4.4	11.2	5.1	11.5	5.8	11.8	6.3
348.1							10.2	4.2	10.7	4.6	11.1	5.3	11.5	6.0	11.7	6.5	
150-16	29.0	18.9	1.2	19.2	1.5	19.4	1.8	19.5	2.2	19.6	2.7	19.8	3.4	19.8	4.3	19.9	4.9
	58.0	18.1	1.6	18.6	1.9	18.9	2.2	19.2	2.6	19.4	3.0	19.5	3.8	19.6	4.7	19.7	5.3
	87.0	17.4	1.9	18.1	2.2	18.5	2.5	18.8	2.9	19.1	3.4	19.3	4.1	19.5	5.0	19.6	5.6
	116.0	16.8	2.3	17.7	2.6	18.1	2.9	18.5	3.3	18.8	3.8	19.2	4.5	19.4	5.4	19.5	6.0
	145.0	16.2	2.7	17.2	3.0	17.8	3.2	18.3	3.6	18.6	4.1	19.0	4.9	19.2	5.8	19.4	6.3
	174.0			16.8	3.3	17.4	3.6	18.0	4.0	18.4	4.5	18.8	5.2	19.1	6.1	19.3	6.7
	203.1			16.4	3.7	17.1	4.0	17.7	4.3	18.2	4.8	18.7	5.6	19.0	6.5	19.2	7.0
	232.1					16.8	4.3	17.5	4.7	18.1	5.2	18.5	5.9	18.9	6.8	19.1	7.4
	261.1							17.3	5.1	17.8	5.5	18.4	6.3	18.8	7.2	19.1	7.8
	290.1							17.0	5.4	17.7	5.9	18.3	6.7	18.7	7.5	19.0	8.1
	319.1							16.8	5.8	17.5	6.2	18.1	7.0	18.6	7.9	18.9	8.5
348.1							16.6	6.1	17.3	6.6	18.0	7.4	18.4	8.3	18.8	8.8	
150-20	29.0	22.9	1.3	23.2	1.7	23.5	2.0	23.6	2.4	23.8	2.9	23.9	3.7	24.0	4.6	24.0	5.3
	58.0	22.0	1.8	22.6	2.1	22.9	2.4	23.2	2.8	23.4	3.3	23.6	4.1	23.8	5.1	23.9	5.7
	87.0	21.2	2.2	22.0	2.5	22.5	2.8	22.8	3.3	23.1	3.8	23.4	4.6	23.6	5.5	23.7	6.1
	116.0	20.4	2.6	21.4	3.0	22.0	3.3	22.5	3.7	22.9	4.2	23.2	5.0	23.4	5.9	23.6	6.5
	145.0	19.8	3.1	20.9	3.4	21.6	3.7	22.1	4.1	22.6	4.6	23.0	5.4	23.3	6.4	23.5	7.0
	174.0			20.4	3.8	21.2	4.1	21.8	4.5	22.3	5.1	22.8	5.9	23.2	6.8	23.4	7.4
	203.1					20.8	4.6	21.5	5.0	22.1	5.5	22.6	6.3	23.0	7.2	23.2	7.8
	232.1							21.3	5.4	21.9	5.9	22.5	6.7	22.9	7.7	23.2	8.3
150-30	29.0	33.9	1.8	34.4	2.1	34.7	2.5	35.0	3.0	35.2	3.6	35.4	4.6	35.5	5.8	35.6	6.5
	58.0	32.4	2.4	33.3	2.8	33.9	3.2	34.3	3.7	34.7	4.3	35.0	5.3	35.2	6.4	35.4	7.2
	87.0	31.1	3.0	32.4	3.4	33.1	3.8	33.7	4.3	34.2	4.9	34.6	5.9	34.9	7.1	35.1	7.8
	116.0	30.0	3.7	31.5	4.1	32.4	4.4	33.2	4.9	33.7	5.6	34.3	6.6	34.7	7.7	35.0	8.4
	145.0			30.7	4.7	31.8	5.1	32.7	5.6	33.3	6.2	34.0	7.2	34.4	8.3	34.7	9.1
	174.0					31.2	5.7	32.2	6.2	33.0	6.9	33.7	7.8	34.2	9.0	34.6	9.7

Blackmer reserves the right to change the data in the table without prior notice.

Speed n=1450 rpm

METRIC

Specification	Pressure ΔP bar	Viscosity (mm ² /s) (cSt)															
		1		15		35		75		150		350		750		1500	
		Capacity m ³ /h	Power kW	Capacity m ³ /h	Power kW	Capacity m ³ /h	Power kW	Capacity m ³ /h	Power kW	Capacity m ³ /h	Power kW	Capacity m ³ /h	Power kW	Capacity m ³ /h	Power kW	Capacity m ³ /h	Power kW
150-10	2	2.7	0.7	2.7	0.9	2.8	1.1	2.8	1.3	2.8	1.6	2.8	2.1	2.8	2.7	2.8	3.0
	4	2.6	0.9	2.6	1.1	2.7	1.3	2.7	1.5	2.7	1.8	2.8	2.3	2.8	2.8	2.8	3.2
	6	2.5	1.0	2.6	1.2	2.6	1.4	2.7	1.7	2.7	2.0	2.7	2.4	2.8	3.0	2.8	3.4
	8	2.4	1.2	2.5	1.4	2.6	1.6	2.6	1.8	2.7	2.1	2.7	2.6	2.7	3.2	2.8	3.5
	10	2.3	1.4	2.4	1.6	2.5	1.8	2.6	2.0	2.6	2.3	2.7	2.8	2.7	3.3	2.8	3.7
	12	2.2	1.5	2.4	1.7	2.5	1.9	2.5	2.2	2.6	2.5	2.7	2.9	2.7	3.5	2.7	3.9
	14			2.3	1.9	2.4	2.1	2.5	2.3	2.6	2.6	2.6	3.1	2.7	3.7	2.7	4.0
	16			2.2	2.1	2.4	2.3	2.5	2.5	2.5	2.8	2.6	3.3	2.7	3.8	2.7	4.2
	18					2.3	2.4	2.4	2.7	2.5	3.0	2.6	3.4	2.7	4.0	2.7	4.4
	20					2.3	2.6	2.4	2.8	2.5	3.1	2.6	3.6	2.6	4.2	2.7	4.5
	22							2.4	3.0	2.5	3.3	2.6	3.8	2.6	4.3	2.7	4.7
24							2.3	3.2	2.4	3.5	2.5	3.9	2.6	4.5	2.7	4.9	
150-16	2	4.3	0.9	4.4	1.1	4.4	1.4	4.4	1.6	4.5	2.0	4.5	2.6	4.5	3.2	4.5	3.7
	4	4.1	1.2	4.2	1.4	4.3	1.6	4.4	1.9	4.4	2.3	4.4	2.8	4.5	3.5	4.5	3.9
	6	4.0	1.4	4.1	1.7	4.2	1.9	4.3	2.2	4.3	2.5	4.4	3.1	4.4	3.8	4.5	4.2
	8	3.8	1.7	4.0	1.9	4.1	2.2	4.2	2.4	4.3	2.8	4.4	3.4	4.4	4.0	4.4	4.5
	10	3.7	2.0	3.9	2.2	4.0	2.4	4.2	2.7	4.2	3.1	4.3	3.6	4.4	4.3	4.4	4.7
	12			3.8	2.5	4.0	2.7	4.1	3.0	4.2	3.3	4.3	3.9	4.3	4.6	4.4	5.0
	14			3.7	2.7	3.9	3.0	4.0	3.2	4.1	3.6	4.2	4.2	4.3	4.8	4.4	5.3
	16					3.8	3.2	4.0	3.5	4.1	3.9	4.2	4.4	4.3	5.1	4.3	5.5
	18							3.9	3.8	4.1	4.1	4.2	4.7	4.3	5.4	4.3	5.8
	20							3.9	4.0	4.0	4.4	4.2	5.0	4.2	5.6	4.3	6.1
	22							3.8	4.3	4.0	4.7	4.1	5.2	4.2	5.9	4.3	6.3
24							3.8	4.6	3.9	4.9	4.1	5.5	4.2	6.2	4.3	6.6	
150-20	2	5.2	1.0	5.3	1.2	5.3	1.5	5.4	1.8	5.4	2.2	5.4	2.8	5.4	3.5	5.5	3.9
	4	5.0	1.3	5.1	1.6	5.2	1.8	5.3	2.1	5.3	2.5	5.4	3.1	5.4	3.8	5.4	4.2
	6	4.8	1.7	5.0	1.9	5.1	2.1	5.2	2.4	5.3	2.8	5.3	3.4	5.4	4.1	5.4	4.6
	8	4.6	2.0	4.9	2.2	5.0	2.4	5.1	2.8	5.2	3.1	5.3	3.7	5.3	4.4	5.4	4.9
	10	4.5	2.3	4.8	2.5	4.9	2.8	5.0	3.1	5.1	3.5	5.2	4.1	5.3	4.8	5.3	5.2
	12			4.6	2.9	4.8	3.1	5.0	3.4	5.1	3.8	5.2	4.4	5.3	5.1	5.3	5.5
	14					4.7	3.4	4.9	3.7	5.0	4.1	5.1	4.7	5.2	5.4	5.3	5.9
	16							4.8	4.0	5.0	4.4	5.1	5.0	5.2	5.7	5.3	6.2
150-30	2	7.7	1.3	7.8	1.6	7.9	1.9	8.0	2.3	8.0	2.7	8.0	3.5	8.1	4.3	8.1	4.9
	4	7.4	1.8	7.6	2.1	7.7	2.4	7.8	2.7	7.9	3.2	7.9	3.9	8.0	4.8	8.0	5.3
	6	7.1	2.3	7.4	2.6	7.5	2.8	7.7	3.2	7.8	3.7	7.9	4.4	7.9	5.3	8.0	5.8
	8	6.8	2.7	7.2	3.0	7.4	3.3	7.5	3.7	7.7	4.2	7.8	4.9	7.9	5.8	7.9	6.3
	10			7.0	3.5	7.2	3.8	7.4	4.2	7.6	4.6	7.7	5.4	7.8	6.2	7.9	6.8
	12					7.1	4.3	7.3	4.7	7.5	5.1	7.7	5.8	7.8	6.7	7.9	7.3



U.S. STANDARD

Speed n=1450 rpm

Specification	Pressure ΔP PSI	Viscosity (mm ² /s) (cSt)															
		1		15		35		75		150		350		750		1500	
		Capacity GPM	Power HP	Capacity GPM	Power HP	Capacity GPM	Power HP	Capacity GPM	Power HP	Capacity GPM	Power HP	Capacity GPM	Power HP	Capacity GPM	Power HP	Capacity GPM	Power HP
160-20	29.0	15.9	1.2	16.6	1.5	17.0	1.7	17.3	2.1	17.6	2.6	17.8	3.3	18.0	4.2	18.1	4.8
	43.5	14.9	1.3	15.9	1.6	16.4	1.9	16.9	2.3	17.3	2.8	17.6	3.5	17.8	4.4	18.0	4.9
	58.0	14.0	1.5	15.2	1.8	15.9	2.1	16.5	2.4	16.9	2.9	17.3	3.7	17.6	4.5	17.8	5.1
	72.5	13.2	1.6	14.6	1.9	15.4	2.2	16.1	2.6	16.6	3.1	17.1	3.8	17.4	4.7	17.7	5.3
	87.0	12.3	1.8	14.0	2.1	14.9	2.4	15.7	2.8	16.3	3.2	16.9	4.0	17.3	4.9	17.5	5.4
	101.5	11.6	1.9	13.4	2.3	14.4	2.5	15.3	2.9	16.0	3.4	16.6	4.1	17.1	5.0	17.4	5.6
	116.0			12.9	2.4	14.0	2.7	15.0	3.1	15.7	3.5	16.4	4.3	17.0	5.2	17.3	5.7
	130.5			12.3	2.6	13.6	2.8	14.7	3.2	15.5	3.7	16.2	4.5	16.8	5.3	17.2	5.9
	145.0				0.0	13.2	3.0	14.3	3.4	15.2	3.9	16.0	4.6	16.6	5.5	17.0	6.0
160-27	29.0	21.5	1.3	22.4	1.6	22.9	1.9	23.3	2.3	23.7	2.8	24.0	3.5	24.2	4.5	24.3	5.0
	43.5	20.3	1.5	21.5	1.8	22.2	2.1	22.8	2.5	23.2	3.0	23.6	3.8	24.0	4.7	24.2	5.2
	58.0	19.2	1.7	20.6	2.0	21.5	2.3	22.2	2.7	22.8	3.2	23.3	4.0	23.7	4.9	24.0	5.5
	72.5	18.1	1.9	19.9	2.2	20.9	2.5	21.7	2.9	22.4	3.4	23.0	4.2	23.5	5.1	23.8	5.7
	87.0	17.1	2.1	19.1	2.4	20.3	2.7	21.3	3.1	22.0	3.6	22.8	4.4	23.2	5.3	23.6	5.9
	101.5	16.1	2.3	18.4	2.7	19.7	3.0	20.8	3.4	21.7	3.8	22.5	4.6	23.0	5.5	23.4	6.1
	116.0			17.7	2.9	19.2	3.2	20.4	3.6	21.3	4.0	22.2	4.8	22.9	5.7	23.3	6.3
160-40	29.0	32.8	1.6	34.0	1.9	34.7	2.3	35.3	2.7	35.8	3.2	36.1	4.1	36.5	5.1	36.7	5.7
	43.5	31.2	1.9	32.8	2.3	33.8	2.6	34.6	3.0	35.1	3.6	35.7	4.4	36.1	5.4	36.4	6.0
	58.0	29.7	2.2	31.7	2.6	32.9	2.9	33.9	3.3	34.6	3.9	35.3	4.7	35.8	5.7	36.1	6.4
	72.5	28.4	2.5	30.7	2.9	32.1	3.2	33.2	3.7	34.1	4.2	34.9	5.0	35.5	6.0	35.9	6.7
	87.0	27.0	2.9	29.7	3.2	31.3	3.5	32.6	4.0	33.5	4.5	34.5	5.4	35.2	6.4	35.7	7.0
160-56	29.0	46.2	2.0	47.6	2.4	48.4	2.7	49.3	3.2	50.2	3.9	50.6	4.8	51.1	6.0	51.1	6.7
	43.5	43.8	2.4	45.8	2.8	47.1	3.2	48.4	3.7	49.3	4.3	49.8	5.3	50.6	6.4	50.6	7.1
	58.0	41.7	2.9	44.5	3.3	46.2	3.6	47.6	4.1	48.4	4.7	49.3	5.7	50.2	6.9	50.6	7.6
	72.5	39.8	3.3	43.1	3.7	44.9	4.1	46.7	4.6	47.6	5.2	48.9	6.2	49.8	7.3	50.2	8.0

Blackmer reserves the right to change the data in the table without prior notice.

Speed n=1450 rpm

METRIC

Specification	Pressure ΔP bar	Viscosity (mm ² /s) (cSt)															
		1		15		35		75		150		350		750		1500	
		Capacity m ³ /h	Power kW	Capacity m ³ /h	Power kW	Capacity m ³ /h	Power kW	Capacity m ³ /h	Power kW	Capacity m ³ /h	Power kW	Capacity m ³ /h	Power kW	Capacity m ³ /h	Power kW	Capacity m ³ /h	Power kW
160-20	2	3.6	0.9	3.8	1.1	3.9	1.3	3.9	1.6	4.0	1.9	4.1	2.5	4.1	3.2	4.1	3.6
	3	3.4	1.0	3.6	1.2	3.7	1.4	3.8	1.7	3.9	2.1	4.0	2.6	4.1	3.3	4.1	3.7
	4	3.2	1.1	3.5	1.3	3.6	1.5	3.7	1.8	3.8	2.2	3.9	2.7	4.0	3.4	4.1	3.8
	5	3.0	1.2	3.3	1.4	3.5	1.7	3.7	1.9	3.8	2.3	3.9	2.9	4.0	3.5	4.0	3.9
	6	2.8	1.3	3.2	1.6	3.4	1.8	3.6	2.1	3.7	2.4	3.8	3.0	3.9	3.6	4.0	4.0
	7	2.6	1.5	3.0	1.7	3.3	1.9	3.5	2.2	3.6	2.5	3.8	3.1	3.9	3.7	4.0	4.2
	8			2.9	1.8	3.2	2.0	3.4	2.3	3.6	2.6	3.7	3.2	3.9	3.9	3.9	4.3
	9			2.8	1.9	3.1	2.1	3.3	2.4	3.5	2.8	3.7	3.3	3.8	4.0	3.9	4.4
	10					3.0	2.2	3.3	2.5	3.5	2.9	3.6	3.4	3.8	4.1	3.9	4.5
	160-27	2	4.9	1.0	5.1	1.2	5.2	1.4	5.3	1.7	5.4	2.1	5.5	2.6	5.5	3.3	5.5
3		4.6	1.1	4.9	1.4	5.0	1.6	5.2	1.9	5.3	2.2	5.4	2.8	5.4	3.5	5.5	3.9
4		4.4	1.3	4.7	1.5	4.9	1.7	5.1	2.0	5.2	2.4	5.3	3.0	5.4	3.6	5.4	4.1
5		4.1	1.4	4.5	1.7	4.7	1.9	4.9	2.2	5.1	2.5	5.2	3.1	5.3	3.8	5.4	4.2
6		3.9	1.6	4.3	1.8	4.6	2.0	4.8	2.3	5.0	2.7	5.2	3.3	5.3	4.0	5.4	4.4
7		3.7	1.8	4.2	2.0	4.5	2.2	4.7	2.5	4.9	2.9	5.1	3.4	5.2	4.1	5.3	4.5
8				4.0	2.1	4.4	2.4	4.6	2.7	4.8	3.0	5.1	3.6	5.2	4.3	5.3	4.7
160-40		2	7.5	1.2	7.7	1.5	7.9	1.7	8.0	2.0	8.1	2.4	8.2	3.1	8.3	3.8	8.3
3	7.1	1.4	7.5	1.7	7.7	1.9	7.9	2.3	8.0	2.7	8.1	3.3	8.2	4.0	8.3	4.5	
4	6.8	1.7	7.2	1.9	7.5	2.2	7.7	2.5	7.9	2.9	8.0	3.5	8.1	4.3	8.2	4.8	
5	6.4	1.9	7.0	2.2	7.3	2.4	7.5	2.7	7.7	3.1	7.9	3.8	8.1	4.5	8.2	5.0	
6	6.1	2.1	6.8	2.4	7.1	2.6	7.4	3.0	7.6	3.4	7.8	4.0	8.0	4.7	8.1	5.2	
160-56	2	10.5	1.5	10.8	1.8	11.0	2.1	11.2	2.4	11.4	2.9	11.5	3.6	11.6	4.5	11.6	5.0
	3	10.0	1.8	10.4	2.1	10.7	2.4	11.0	2.8	11.2	3.2	11.3	3.9	11.5	4.8	11.5	5.3
	4	9.5	2.1	10.1	2.4	10.5	2.7	10.8	3.1	11.0	3.5	11.2	4.3	11.4	5.1	11.5	5.7
	5	9.1	2.5	9.8	2.8	10.2	3.0	10.6	3.4	10.8	3.9	11.1	4.6	11.3	5.4	11.4	6.0



U.S. STANDARD

Speed n=1450 rpm

Specification	Pressure ΔP PSI	Viscosity (mm ² /s) (cSt)															
		1		15		35		75		150		350		750		1500	
		Capacity GPM	Power HP	Capacity GPM	Power HP	Capacity GPM	Power HP	Capacity GPM	Power HP	Capacity GPM	Power HP	Capacity GPM	Power HP	Capacity GPM	Power HP	Capacity GPM	Power HP
260-25	29.0	32.1	1.7	33.4	2.1	34.1	2.5	34.7	3.0	35.2	3.6	35.7	4.6	36.0	5.7	36.2	6.4
	43.5	30.4	2.0	32.1	2.4	33.1	2.8	33.9	3.3	34.6	3.9	35.2	4.9	35.6	6.0	35.9	6.8
	58.0	28.8	2.4	30.9	2.7	32.1	3.1	33.2	3.6	34.0	4.2	34.7	5.2	35.3	6.3	35.6	7.1
	72.5	27.3	2.7	29.8	3.1	31.3	3.4	32.5	3.9	33.4	4.5	34.3	5.5	34.9	6.7	35.4	7.4
	87.0	25.8	3.0	28.8	3.4	30.4	3.7	31.8	4.2	32.9	4.9	33.9	5.8	34.6	7.0	35.1	7.7
	101.5	24.5	3.3	27.7	3.7	29.6	4.0	31.2	4.6	32.4	5.2	33.5	6.1	34.3	7.3	34.9	8.0
	116.0	23.2	3.6	26.8	4.0	28.8	4.4	30.6	4.9	31.9	5.5	33.2	6.5	34.0	7.6	34.7	8.3
	130.5			25.8	4.3	28.0	4.7	29.9	5.2	31.4	5.8	32.8	6.8	33.8	7.9	34.4	8.6
	145.0				27.3	5.0	29.4	5.5	31.0	6.1	32.4	7.1	33.5	8.2	34.2	8.9	
260-34	29.0	43.8	2.0	45.3	2.4	46.2	2.8	46.7	3.4	47.6	4.0	48.0	5.1	48.4	6.3	48.4	7.1
	43.5	41.7	2.4	43.8	2.9	44.9	3.3	45.8	3.8	46.7	4.5	47.6	5.5	48.0	6.7	48.0	7.5
	58.0	39.8	2.9	42.4	3.3	43.8	3.7	44.9	4.2	45.8	4.9	46.7	5.9	47.6	7.1	48.0	7.9
	72.5	38.1	3.3	41.0	3.7	42.8	4.1	44.0	4.6	45.3	5.3	46.2	6.3	47.1	7.5	47.6	8.3
	87.0	36.4	3.7	39.8	4.1	41.7	4.5	43.4	5.0	44.5	5.7	45.8	6.7	46.7	8.0	47.1	8.8
	101.5	34.8	4.1	38.6	4.5	40.8	4.9	42.7	5.5	44.0	6.1	45.3	7.2	46.2	8.4	47.1	9.2
	116.0	33.2	4.5	37.5	4.9	39.9	5.4	41.9	5.9	43.5	6.5	44.9	7.6	45.8	8.8	46.7	9.6
260-50	29.0	66.9	2.5	68.7	3.0	70.0	3.4	70.9	4.0	71.3	4.7	72.2	5.9	72.6	7.2	73.1	8.1
	43.5	63.8	3.2	66.5	3.6	68.2	4.1	69.6	4.7	70.4	5.4	71.3	6.5	72.2	7.8	72.6	8.7
	58.0	61.6	3.8	64.7	4.3	66.9	4.7	68.2	5.3	69.6	6.0	70.9	7.1	71.3	8.5	72.2	9.3
	72.5	59.0	4.4	63.0	4.9	65.2	5.3	67.4	5.9	68.7	6.6	70.0	7.8	70.9	9.1	71.8	10.0
	87.0	56.8	5.1	61.6	5.5	63.8	6.0	66.0	6.5	67.8	7.3	69.6	8.4	70.4	9.7	71.3	10.6
260-72	29.0	96.0	3.2	99.1	3.7	100.4	4.2	101.7	4.8	103.0	5.6	103.9	6.9	104.8	8.3	105.2	9.3
	43.5	92.5	4.1	96.0	4.6	98.2	5.1	99.9	5.7	101.7	6.5	103.0	7.8	103.9	9.2	104.3	10.2
	58.0	88.9	5.0	93.3	5.5	96.0	6.0	98.6	6.6	100.4	7.4	101.7	8.7	103.0	10.1	103.9	11.1
	72.5	85.4	5.9	91.1	6.4	94.2	6.9	96.9	7.5	99.1	8.3	100.8	9.6	102.1	11.0	103.5	12.0

Blackmer reserves the right to change the data in the table without prior notice.

Speed n=1450 rpm

METRIC

Specification	Pressure ΔP bar	Viscosity (mm ² /s) (cSt)															
		1		15		35		75		150		350		750		1500	
		Capacity m ³ /h	Power kW	Capacity m ³ /h	Power kW	Capacity m ³ /h	Power kW	Capacity m ³ /h	Power kW	Capacity m ³ /h	Power kW	Capacity m ³ /h	Power kW	Capacity m ³ /h	Power kW	Capacity m ³ /h	Power kW
260-25	2	7.3	1.3	7.6	1.6	7.8	1.9	7.9	2.2	8.0	2.7	8.1	3.4	8.2	4.3	8.2	4.8
	3	6.9	1.5	7.3	1.8	7.5	2.1	7.7	2.5	7.9	2.9	8.0	3.6	8.1	4.5	8.2	5.0
	4	6.5	1.8	7.0	2.0	7.3	2.3	7.5	2.7	7.7	3.2	7.9	3.9	8.0	4.7	8.1	5.3
	5	6.2	2.0	6.8	2.3	7.1	2.6	7.4	2.9	7.6	3.4	7.8	4.1	7.9	5.0	8.0	5.5
	6	5.9	2.2	6.5	2.5	6.9	2.8	7.2	3.2	7.5	3.6	7.7	4.3	7.9	5.2	8.0	5.7
	7	5.6	2.5	6.3	2.8	6.7	3.0	7.1	3.4	7.4	3.9	7.6	4.6	7.8	5.4	7.9	6.0
	8	5.3	2.7	6.1	3.0	6.5	3.3	6.9	3.6	7.2	4.1	7.5	4.8	7.7	5.7	7.9	6.2
	9			5.9	3.2	6.4	3.5	6.8	3.9	7.1	4.3	7.5	5.0	7.7	5.9	7.8	6.4
	10					6.2	3.7	6.7	4.1	7.0	4.6	7.4	5.3	7.6	6.1	7.8	6.7
	260-34	2	9.9	1.5	10.3	1.8	10.5	2.1	10.6	2.5	10.8	3.0	10.9	3.8	11.0	4.7	11.0
3		9.5	1.8	9.9	2.1	10.2	2.4	10.4	2.8	10.6	3.3	10.8	4.1	10.9	5.0	10.9	5.6
4		9.1	2.1	9.6	2.4	10.0	2.7	10.2	3.1	10.4	3.6	10.6	4.4	10.8	5.3	10.9	5.9
5		8.7	2.5	9.3	2.8	9.7	3.1	10.0	3.5	10.3	3.9	10.5	4.7	10.7	5.6	10.8	6.2
6		8.3	2.8	9.0	3.1	9.5	3.4	9.9	3.8	10.1	4.3	10.4	5.0	10.6	5.9	10.7	6.5
7		7.9	3.1	8.8	3.4	9.3	3.7	9.7	4.1	10.0	4.6	10.3	5.3	10.5	6.3	10.7	6.8
8		7.6	3.4	8.5	3.7	9.1	4.0	9.5	4.4	9.9	4.9	10.2	5.7	10.4	6.6	10.6	7.2
260-50		2	15.2	1.9	15.6	2.2	15.9	2.6	16.1	3.0	16.2	3.5	16.4	4.4	16.5	5.4	16.6
	3	14.5	2.4	15.1	2.7	15.5	3.0	15.8	3.5	16.0	4.0	16.2	4.9	16.4	5.8	16.5	6.5
	4	14.0	2.8	14.7	3.2	15.2	3.5	15.5	3.9	15.8	4.5	16.1	5.3	16.2	6.3	16.4	7.0
	5	13.4	3.3	14.3	3.6	14.8	4.0	15.3	4.4	15.6	4.9	15.9	5.8	16.1	6.8	16.3	7.4
	6	12.9	3.8	14.0	4.1	14.5	4.4	15.0	4.9	15.4	5.4	15.8	6.3	16.0	7.3	16.2	7.9
	260-72	2	21.8	2.4	22.5	2.8	22.8	3.1	23.1	3.6	23.4	4.2	23.6	5.1	23.8	6.2	23.9
3		21.0	3.1	21.8	3.5	22.3	3.8	22.7	4.3	23.1	4.9	23.4	5.8	23.6	6.9	23.7	7.6
4		20.2	3.8	21.2	4.1	21.8	4.5	22.4	5.0	22.8	5.5	23.1	6.5	23.4	7.6	23.6	8.3
5		19.4	4.4	20.7	4.8	21.4	5.2	22.0	5.6	22.5	6.2	22.9	7.1	23.2	8.2	23.5	8.9



2 H SERIES

280 PERFORMANCE @ 50Hz

U.S. STANDARD

Speed n=1450 rpm

Specification	Pressure ΔP PSI	Viscosity (mm ² /s) (cSt)															
		1		15		35		75		150		350		750		1500	
		Capacity GPM	Power HP	Capacity GPM	Power HP	Capacity GPM	Power HP	Capacity GPM	Power HP	Capacity GPM	Power HP	Capacity GPM	Power HP	Capacity GPM	Power HP	Capacity GPM	Power HP
280-20	29.0	33.8	2.3	35.2	2.8	36.1	3.3	36.8	4.0	37.3	4.9	37.8	6.2	38.1	7.8	38.3	8.9
	58.0	30.1	3.0	32.4	3.5	33.8	4.0	35.0	4.7	35.9	5.6	36.7	6.9	37.3	8.5	37.7	9.5
	87.0	26.8	3.6	30.0	4.2	31.9	4.7	33.5	5.4	34.7	6.3	35.8	7.6	36.6	9.2	37.2	10.2
	116.0	23.7	4.3	27.8	4.9	30.1	5.4	32.1	6.1	33.5	7.0	35.0	8.3	35.9	9.9	36.6	11.0
	145.0	20.9	5.0	25.7	5.6	28.4	6.1	30.7	6.8	32.5	7.7	34.2	9.0	35.3	10.6	36.1	11.7
	174.0	18.2	5.8	23.7	6.3	26.8	6.8	29.5	7.5	31.5	8.4	33.4	9.7	34.7	11.3	35.7	12.4
	203.1			21.7	7.0	25.3	7.5	28.2	8.2	30.5	9.1	32.7	10.4	34.2	12.0	35.2	13.0
	232.1					23.8	8.2	27.1	8.9	29.6	9.8	32.0	11.1	33.6	12.7	34.8	13.8
	261.1							25.9	9.6	28.7	10.5	31.3	11.8	33.1	13.4	34.4	14.5
	290.1							24.8	10.3	27.8	11.2	30.6	12.5	32.6	14.1	34.0	15.2
	319.1									27.0	11.9	30.0	13.2	32.1	14.9	33.6	15.8
348.1										0.0	29.4	13.9	31.6	15.6	33.2	16.5	
280-27	29.0	45.3	2.5	47.1	3.2	48.4	3.8	49.3	4.4	50.2	5.4	50.6	6.8	51.1	8.6	51.5	9.7
	58.0	40.5	3.5	43.6	4.2	45.3	4.7	47.1	5.4	48.0	6.3	49.3	7.8	50.2	9.5	50.6	10.6
	87.0	36.1	4.4	40.5	5.1	42.7	5.6	44.9	6.3	46.7	7.2	48.0	8.7	48.9	10.5	49.8	11.5
	116.0	32.1	5.4	37.4	6.0	40.5	6.6	43.1	7.2	44.9	8.2	47.1	9.7	48.0	11.4	49.3	12.5
	145.0	28.2	6.3	34.3	7.0	38.3	7.5	41.4	8.2	43.6	9.1	45.8	10.6	47.6	12.3	48.4	13.4
	174.0			31.7	7.9	36.1	8.4	39.6	9.1	42.3	10.1	44.9	11.5	46.7	13.3	48.0	14.3
	203.1					33.9	9.4	37.9	10.1	40.9	11.0	44.0	12.5	45.8	14.2	47.1	15.3
	232.1									39.6	11.9	43.1	13.4	44.9	15.2	46.7	16.2
	261.1									38.7	12.9	42.3	14.3	44.5	16.1	46.2	17.2
	290.1									37.4	13.8	41.4	15.3	43.6	17.0	45.8	18.1
280-40	29.0	70.0	3.2	72.2	3.8	73.5	4.4	74.8	5.2	75.7	6.2	76.6	7.7	77.0	9.5	77.5	10.7
	58.0	63.8	4.6	67.8	5.2	70.0	5.8	71.8	6.6	73.5	7.6	74.8	9.1	75.7	10.9	76.6	12.1
	87.0	58.1	6.0	63.4	6.6	66.5	7.2	69.1	8.0	71.3	9.0	73.1	10.5	74.4	12.3	75.3	13.5
	116.0	53.3	7.4	59.9	8.0	63.8	8.6	66.9	9.4	69.6	10.4	71.8	11.9	73.5	13.8	74.4	14.9
	145.0			56.4	9.4	60.8	10.0	64.7	10.8	67.8	11.8	70.4	13.3	72.2	15.2	74.0	16.4
	174.0					58.1	11.4	62.5	12.2	66.0	13.2	69.1	14.8	71.3	16.6	73.1	17.7
	203.1							60.8	13.7	64.3	14.6	67.8	16.1	70.4	18.0	72.2	19.2
	232.1									63.0	16.0	66.9	17.6	69.6	19.4	71.3	20.5
280-56	29.0	98.2	3.9	101.7	4.6	103.5	5.3	104.8	6.1	106.1	7.2	107.4	8.9	108.3	11.0	108.7	12.3
	58.0	89.8	5.9	95.1	6.6	98.2	7.2	100.8	8.1	103.0	9.2	104.8	10.9	106.1	12.9	107.0	14.2
	87.0			89.8	8.6	93.8	9.2	97.3	10.1	100.4	11.2	103.0	12.9	104.8	14.9	106.1	16.2
	116.0							94.2	12.1	97.7	13.2	100.8	14.9	103.0	16.9	104.8	18.2
	145.0									95.1	15.2	99.1	16.9	101.7	18.9	103.5	20.1

Blackmer reserves the right to change the data in the table without prior notice.

Speed n=1450 rpm

METRIC

Specification	Pressure ΔP bar	Viscosity (mm ² /s) (cSt)															
		1		15		35		75		150		350		750		1500	
		Capacity m ³ /h	Power kW	Capacity m ³ /h	Power kW	Capacity m ³ /h	Power kW	Capacity m ³ /h	Power kW	Capacity m ³ /h	Power kW	Capacity m ³ /h	Power kW	Capacity m ³ /h	Power kW	Capacity m ³ /h	Power kW
280-20	2	7.7	1.7	8.0	2.1	8.2	2.5	8.4	3.0	8.5	3.6	8.6	4.6	8.7	5.8	8.7	6.6
	4	6.8	2.2	7.4	2.6	7.7	3.0	8.0	3.5	8.2	4.2	8.3	5.2	8.5	6.4	8.6	7.1
	6	6.1	2.7	6.8	3.1	7.2	3.5	7.6	4.0	7.9	4.7	8.1	5.7	8.3	6.9	8.4	7.6
	8	5.4	3.2	6.3	3.7	6.8	4.0	7.3	4.6	7.6	5.2	7.9	6.2	8.2	7.4	8.3	8.2
	10	4.8	3.8	5.8	4.2	6.5	4.6	7.0	5.1	7.4	5.7	7.8	6.7	8.0	7.9	8.2	8.7
	12	4.1	4.3	5.4	4.7	6.1	5.1	6.7	5.6	7.2	6.2	7.6	7.3	7.9	8.5	8.1	9.2
	14			4.9	5.2	5.7	5.6	6.4	6.1	6.9	6.8	7.4	7.8	7.8	9.0	8.0	9.7
	16					5.4	6.1	6.2	6.6	6.7	7.3	7.3	8.3	7.6	9.5	7.9	10.3
	18							5.9	7.2	6.5	7.8	7.1	8.8	7.5	10.0	7.8	10.8
	20							5.6	7.7	6.3	8.3	7.0	9.3	7.4	10.5	7.7	11.3
	22									6.1	8.9	6.8	9.9	7.3	11.1	7.6	11.8
24											6.7	10.4	7.2	11.6	7.5	12.3	
280-27	2	10.3	1.9	10.7	2.4	11.0	2.8	11.2	3.3	11.4	4.0	11.5	5.1	11.6	6.4	11.7	7.2
	4	9.2	2.6	9.9	3.1	10.3	3.5	10.7	4.0	10.9	4.7	11.2	5.8	11.4	7.1	11.5	7.9
	6	8.2	3.3	9.2	3.8	9.7	4.2	10.2	4.7	10.6	5.4	10.9	6.5	11.1	7.8	11.3	8.6
	8	7.3	4.0	8.5	4.5	9.2	4.9	9.8	5.4	10.2	6.1	10.7	7.2	10.9	8.5	11.2	9.3
	10	6.4	4.7	7.8	5.2	8.7	5.6	9.4	6.1	9.9	6.8	10.4	7.9	10.8	9.2	11.0	10.0
	12			7.2	5.9	8.2	6.3	9.0	6.8	9.6	7.5	10.2	8.6	10.6	9.9	10.9	10.7
	14					7.7	7.0	8.6	7.5	9.3	8.2	10.0	9.3	10.4	10.6	10.7	11.4
	16									9.0	8.9	9.8	10.0	10.2	11.3	10.6	12.1
	18									8.8	9.6	9.6	10.7	10.1	12.0	10.5	12.8
20									8.5	10.3	9.4	11.4	9.9	12.7	10.4	13.5	
280-40	2	15.9	2.4	16.4	2.8	16.7	3.3	17.0	3.9	17.2	4.6	17.4	5.8	17.5	7.1	17.6	8.0
	4	14.5	3.4	15.4	3.9	15.9	4.3	16.3	4.9	16.7	5.6	17.0	6.8	17.2	8.2	17.4	9.0
	6	13.2	4.5	14.4	4.9	15.1	5.4	15.7	6.0	16.2	6.7	16.6	7.9	16.9	9.2	17.1	10.1
	8	12.1	5.5	13.6	6.0	14.5	6.4	15.2	7.0	15.8	7.7	16.3	8.9	16.7	10.3	16.9	11.1
	10			12.8	7.0	13.8	7.5	14.7	8.1	15.4	8.8	16.0	10.0	16.4	11.3	16.8	12.2
	12					13.2	8.5	14.2	9.1	15.0	9.8	15.7	11.0	16.2	12.4	16.6	13.2
	14							13.8	10.2	14.6	10.9	15.4	12.0	16.0	13.4	16.4	14.3
	16									14.3	11.9	15.2	13.1	15.8	14.5	16.2	15.3
280-56	2	22.3	2.9	23.1	3.4	23.5	3.9	23.8	4.6	24.1	5.4	24.4	6.7	24.6	8.2	24.7	9.1
	4	20.4	4.4	21.6	4.9	22.3	5.4	22.9	6.1	23.4	6.9	23.8	8.1	24.1	9.7	24.3	10.6
	6			20.4	6.4	21.3	6.9	22.1	7.5	22.8	8.3	23.4	9.6	23.8	11.1	24.1	12.1
	8							21.4	9.0	22.2	9.8	22.9	11.1	23.4	12.6	23.8	13.6
	10									21.6	11.3	22.5	12.6	23.1	14.1	23.5	15.0



U.S. STANDARD

Speed n=1450 rpm

Specification	Pressure ΔP PSI	Viscosity (mm ² /s) (cSt)															
		1		15		35		75		150		350		750		1500	
		Capacity GPM	Power HP	Capacity GPM	Power HP	Capacity GPM	Power HP	Capacity GPM	Power HP	Capacity GPM	Power HP	Capacity GPM	Power HP	Capacity GPM	Power HP	Capacity GPM	Power HP
360-30	29.0	58.1	2.6	59.9	3.2	60.8	3.7	61.2	4.4	62.1	5.3	62.5	6.6	63.0	8.2	63.0	9.2
	43.5	55.9	3.2	58.1	3.7	59.4	4.2	60.3	4.9	61.2	5.8	62.1	7.2	62.5	8.8	63.0	9.8
	58.0	54.2	3.7	56.8	4.3	58.1	4.8	59.4	5.5	60.3	6.3	61.2	7.7	62.1	9.3	62.5	10.3
	72.5	52.0	4.3	55.5	4.8	57.2	5.3	58.6	6.0	59.9	6.9	60.8	8.2	61.6	9.8	62.1	10.9
	87.0	50.2	4.8	54.2	5.4	55.9	5.9	57.7	6.6	59.0	7.4	60.3	8.8	61.2	10.4	61.6	11.4
	101.5	48.9	5.4	52.8	5.9	55.0	6.4	56.8	7.1	58.6	8.0	59.9	9.3	60.8	10.9	61.6	11.9
	116.0	47.1	5.9	51.5	6.4	54.2	6.9	56.4	7.7	57.7	8.5	59.4	9.9	60.3	11.5	61.2	12.5
	130.5			50.2	7.0	53.3	7.5	55.5	8.2	57.2	9.1	59.0	10.4	60.3	12.0	60.8	13.0
	145.0			49.3	7.5	52.0	8.0	54.6	8.7	56.8	9.6	58.6	11.0	59.9	12.6	60.8	13.5
360-40	29.0	78.4	3.0	80.1	3.6	81.5	4.1	82.3	4.8	82.8	5.7	83.7	7.1	84.1	8.7	84.5	9.7
	43.5	75.7	3.7	78.4	4.3	79.7	4.8	81.0	5.5	81.9	6.4	82.8	7.8	83.7	9.4	84.1	10.5
	58.0	73.1	4.5	76.6	5.0	78.4	5.6	79.7	6.3	81.0	7.1	82.3	8.5	82.8	10.2	83.7	11.2
	72.5	70.9	5.2	74.8	5.7	77.0	6.3	78.8	7.0	80.1	7.9	81.5	9.2	82.3	10.9	83.2	11.9
	87.0	69.1	5.9	73.1	6.5	75.7	7.0	77.9	7.7	79.3	8.6	81.0	10.0	81.9	11.6	82.8	12.6
	101.5			71.8	7.2	74.4	7.7	77.0	8.4	78.8	9.3	80.1	10.7	81.5	12.3	82.3	13.4
	116.0			70.4	7.9	73.5	8.4	75.7	9.2	77.9	10.0	79.7	11.4	81.0	13.0	81.9	14.1
360-60	29.0	118.0	3.8	120.6	4.4	122.0	4.9	123.3	5.6	124.2	6.5	125.0	8.0	125.9	9.7	126.4	10.7
	43.5	114.5	4.9	118.0	5.4	120.2	6.0	121.5	6.7	122.8	7.6	124.2	9.1	125.0	10.7	125.5	11.8
	58.0	111.4	6.0	115.8	6.5	118.0	7.1	120.2	7.8	122.0	8.7	123.3	10.2	124.2	11.8	125.0	12.9
	72.5	108.3	7.0	113.2	7.6	116.2	8.2	118.9	8.9	120.6	9.8	122.4	11.2	123.7	12.9	124.6	13.9
	87.0			111.4	8.7	114.5	9.2	117.6	10.0	119.8	10.9	121.5	12.3	123.3	13.9	124.2	15.0
360-80	29.0	155.0	4.6	158.9	5.3	161.6	5.8	163.3	6.6	165.1	7.6	166.4	9.1	167.7	11.0	168.2	12.1
	43.5	148.8	6.1	154.5	6.7	158.1	7.3	160.7	8.1	162.9	9.1	165.1	10.6	166.4	12.4	167.3	13.5
	58.0	143.5	7.5	150.6	8.2	155.0	8.7	158.5	9.5	161.1	10.5	163.3	12.0	165.1	13.8	166.4	15.0
	72.5			147.1	9.6	151.9	10.2	155.9	8.2	158.9	8.9	162.0	13.5	164.2	11.4	165.5	16.5

Speed n=1450 rpm

METRIC

Specification	Pressure ΔP bar	Viscosity (mm ² /s) (cSt)															
		1		15		35		75		150		350		750		1500	
		Capacity m ³ /h	Power kW	Capacity m ³ /h	Power kW	Capacity m ³ /h	Power kW	Capacity m ³ /h	Power kW	Capacity m ³ /h	Power kW	Capacity m ³ /h	Power kW	Capacity m ³ /h	Power kW	Capacity m ³ /h	Power kW
360-30	2	13.2	2.0	13.6	2.4	13.8	2.8	13.9	3.3	14.1	3.9	14.2	4.9	14.3	6.1	14.3	6.9
	3	12.7	2.4	13.2	2.8	13.5	3.2	13.7	3.7	13.9	4.3	14.1	5.3	14.2	6.5	14.3	7.3
	4	12.3	2.8	12.9	3.2	13.2	3.6	13.5	4.1	13.7	4.7	13.9	5.7	14.1	6.9	14.2	7.7
	5	11.8	3.2	12.6	3.6	13.0	4.0	13.3	4.5	13.6	5.1	13.8	6.2	14.0	7.3	14.1	8.1
	6	11.4	3.6	12.3	4.0	12.7	4.4	13.1	4.9	13.4	5.5	13.7	6.6	13.9	7.7	14.0	8.5
	7	11.1	4.0	12.0	4.4	12.5	4.8	12.9	5.3	13.3	5.9	13.6	7.0	13.8	8.2	14.0	8.9
	8	10.7	4.4	11.7	4.8	12.3	5.2	12.8	5.7	13.1	6.4	13.5	7.4	13.7	8.6	13.9	9.3
	9			11.4	5.2	12.1	5.6	12.6	6.1	13.0	6.8	13.4	7.8	13.7	9.0	13.8	9.7
	10			11.2	5.6	11.8	6.0	12.4	6.5	12.9	7.2	13.3	8.2	13.6	9.4	13.8	10.1
	360-40	2	17.8	2.3	18.2	2.7	18.5	3.1	18.7	3.6	18.8	4.2	19.0	5.3	19.1	6.5	19.2
3		17.2	2.8	17.8	3.2	18.1	3.6	18.4	4.1	18.6	4.8	18.8	5.8	19.0	7.0	19.1	7.8
4		16.6	3.3	17.4	3.7	17.8	4.1	18.1	4.7	18.4	5.3	18.7	6.4	18.8	7.6	19.0	8.3
5		16.1	3.9	17.0	4.3	17.5	4.7	17.9	5.2	18.2	5.9	18.5	6.9	18.7	8.1	18.9	8.9
6		15.7	4.4	16.6	4.8	17.2	5.2	17.7	5.8	18.0	6.4	18.4	7.4	18.6	8.7	18.8	9.4
7				16.3	5.4	16.9	5.8	17.5	6.3	17.9	6.9	18.2	8.0	18.5	9.2	18.7	10.0
8				16.0	5.9	16.7	6.3	17.2	6.8	17.7	7.5	18.1	8.5	18.4	9.7	18.6	10.5
360-60		2	26.8	2.8	27.4	3.3	27.7	3.7	28.0	4.2	28.2	4.9	28.4	6.0	28.6	7.2	28.7
	3	26.0	3.6	26.8	4.1	27.3	4.5	27.6	5.0	27.9	5.7	28.2	6.8	28.4	8.0	28.5	8.8
	4	25.3	4.4	26.3	4.9	26.8	5.3	27.3	5.8	27.7	6.5	28.0	7.6	28.2	8.8	28.4	9.6
	5	24.6	5.3	25.7	5.7	26.4	6.1	27.0	6.6	27.4	7.3	27.8	8.4	28.1	9.6	28.3	10.4
	6			25.3	6.5	26.0	6.9	26.7	7.4	27.2	8.1	27.6	9.2	28.0	10.4	28.2	11.2
	360-80	2	35.2	3.5	36.1	3.9	36.7	4.4	37.1	5.0	37.5	5.7	37.8	6.8	38.1	8.2	38.2
3		33.8	4.5	35.1	5.0	35.9	5.4	36.5	6.0	37.0	6.8	37.5	7.9	37.8	9.3	38.0	10.1
4		32.6	5.6	34.2	6.1	35.2	6.5	36.0	7.1	36.6	7.8	37.1	9.0	37.5	10.3	37.8	11.2
5				33.4	7.2	34.5	7.6	35.4	8.2	36.1	8.9	36.8	10.1	37.3	11.4	37.6	12.3



2 H SERIES

560 PERFORMANCE @ 50Hz

U.S. STANDARD

Speed n=1450 rpm

Specification	Pressure ΔP PSI	Viscosity (mm ² /s) (cSt)															
		1		15		35		75		150		350		750		1500	
		Capacity GPM	Power HP	Capacity GPM	Power HP	Capacity GPM	Power HP	Capacity GPM	Power HP	Capacity GPM	Power HP	Capacity GPM	Power HP	Capacity GPM	Power HP	Capacity GPM	Power HP
560-25	29.0	69.6	3.3	71.8	4.0	73.1	4.7	74.0	5.6	74.8	6.7	75.7	8.4	76.2	10.4	76.6	11.7
	58.0	63.8	4.7	67.4	5.4	69.6	6.1	71.3	7.0	72.6	8.0	74.0	9.8	74.8	11.8	75.7	13.1
	87.0	58.6	6.1	63.4	6.8	66.5	7.5	69.1	8.4	70.9	9.4	72.6	11.1	74.0	13.2	74.8	14.5
	116.0	53.7	7.5	59.9	8.2	63.8	8.9	66.9	9.7	69.1	10.8	71.3	12.5	73.1	14.6	74.0	15.8
	145.0	49.3	8.9	56.8	9.6	61.2	10.3	64.7	11.1	67.4	12.2	70.0	13.9	71.8	16.0	73.1	17.3
	174.0	44.9	10.3	53.7	11.0	58.6	11.7	62.5	12.5	66.0	13.7	69.1	15.3	70.9	17.3	72.6	18.6
	203.1			50.6	12.4	55.9	13.0	60.8	13.9	64.3	15.0	67.8	16.8	70.0	18.8	71.8	20.0
	232.1			47.6	13.8	53.7	14.5	59.0	15.3	63.0	16.4	66.5	18.1	69.1	20.1	71.3	21.5
	261.1					51.5	15.8	57.2	16.8	61.6	17.8	65.6	19.4	68.2	21.6	70.4	22.8
	290.1					49.3	17.2	55.5	18.1	60.3	19.2	64.7	20.9	67.8	22.9	70.0	24.3
	319.1							53.7	19.4	59.0	20.5	63.4	22.3	66.9	24.3	69.1	25.6
348.1							52.0	20.9	57.7	22.0	62.5	23.7	66.0	25.7	68.7	27.0	
560-34	29.0	94.7	4.1	97.3	4.9	98.6	5.6	99.9	6.6	100.8	7.8	101.7	9.8	102.6	12.1	103.0	13.5
	58.0	88.1	5.9	92.5	6.7	94.7	7.5	96.9	8.5	98.6	9.7	99.9	11.7	100.8	13.9	101.7	15.4
	87.0	82.3	7.8	88.1	8.6	91.1	9.3	94.2	10.3	96.4	11.6	98.2	13.5	99.5	15.8	100.8	17.3
	116.0	76.6	9.7	84.1	10.4	88.1	11.2	91.6	12.2	94.2	13.4	96.9	15.4	98.6	17.7	99.9	19.2
	145.0	71.8	11.5	80.1	12.3	85.0	13.0	89.4	14.1	92.5	15.3	95.5	17.3	97.3	19.6	99.1	21.1
	174.0	66.9	13.4	76.6	14.2	82.3	14.9	87.2	16.0	90.7	17.2	94.2	19.0	96.4	21.5	98.2	22.9
	203.1	62.5	15.3	73.1	16.1	79.7	16.8	85.0	17.8	88.9	19.0	92.9	20.9	95.5	23.2	97.3	24.7
	232.1			70.0	17.8	77.0	18.6	82.8	19.7	87.2	20.9	91.6	22.8	94.2	25.1	96.4	26.6
	261.1					74.4	20.5	80.6	21.5	85.4	22.8	90.3	24.7	93.3	27.0	96.0	28.4
	290.1							78.8	23.3	84.1	24.5	88.9	26.6	92.5	28.8	95.1	30.3
560-50	29.0	141.8	5.2	145.7	6.1	147.9	6.9	149.7	8.0	151.0	9.4	152.8	11.5	153.7	14.1	154.1	15.7
	58.0	131.2	8.0	137.8	8.9	141.8	9.7	144.9	10.8	147.5	12.2	149.7	14.3	151.5	16.9	152.3	18.5
	87.0	122.4	10.8	131.2	11.7	136.5	12.5	140.4	13.7	144.0	15.0	147.1	17.2	149.3	19.7	151.0	21.3
	116.0	114.0	13.7	125.0	14.5	131.2	15.3	136.9	16.4	140.9	17.8	144.9	20.0	147.5	22.4	149.3	24.1
	145.0	106.1	16.4	119.3	17.3	126.8	18.1	133.0	19.2	137.8	20.5	142.7	22.7	145.7	25.2	147.9	26.8
	174.0			113.6	20.1	122.4	20.9	129.4	22.0	135.2	23.3	140.4	25.5	144.0	28.0	146.6	29.6
	203.1					118.0	23.7	126.4	24.8	132.5	26.1	138.7	28.3	142.7	30.8	145.7	32.5
	232.1							122.8	27.6	129.9	29.0	136.5	31.1	141.3	33.7	144.4	35.3
560-72	29.0	204.3	7.1	209.6	8.2	213.1	9.2	215.7	10.6	217.9	12.3	219.7	15.0	221.0	18.2	221.9	20.2
	58.0	189.3	11.1	198.6	12.2	204.3	13.2	208.7	14.6	212.2	16.4	215.7	19.0	217.9	22.3	219.7	24.3
	87.0			189.3	16.2	196.4	17.3	202.5	18.6	207.4	20.4	211.8	23.1	215.3	26.3	217.5	28.3
	116.0					189.3	21.3	197.2	22.7	203.0	24.4	208.7	27.1	212.7	30.3	215.3	32.3
	145.0							192.0	26.7	199.0	28.4	205.6	31.1	210.0	34.3	213.5	36.3

Blackmer reserves the right to change the data in the table without prior notice.

Speed n=1450 rpm

METRIC

Specification	Pressure ΔP bar	Viscosity (mm ² /s) (cSt)															
		1		15		35		75		150		350		750		1500	
		Capacity m ³ /h	Power kW	Capacity m ³ /h	Power kW	Capacity m ³ /h	Power kW	Capacity m ³ /h	Power kW	Capacity m ³ /h	Power kW	Capacity m ³ /h	Power kW	Capacity m ³ /h	Power kW	Capacity m ³ /h	Power kW
560-25	2	15.8	2.5	16.3	3.0	16.6	3.5	16.8	4.2	17.0	5.0	17.2	6.2	17.3	7.7	17.4	8.7
	4	14.5	3.5	15.3	4.0	15.8	4.5	16.2	5.2	16.5	6.0	16.8	7.3	17.0	8.8	17.2	9.7
	6	13.3	4.6	14.4	5.1	15.1	5.6	15.7	6.2	16.1	7.0	16.5	8.3	16.8	9.8	17.0	10.8
	8	12.2	5.6	13.6	6.1	14.5	6.6	15.2	7.3	15.7	8.1	16.2	9.4	16.6	10.9	16.8	11.8
	10	11.2	6.7	12.9	7.2	13.9	7.7	14.7	8.3	15.3	9.1	15.9	10.4	16.3	11.9	16.6	12.9
	12	10.2	7.7	12.2	8.2	13.3	8.7	14.2	9.3	15.0	10.2	15.7	11.4	16.1	12.9	16.5	13.9
	14			11.5	9.2	12.7	9.7	13.8	10.4	14.6	11.2	15.4	12.5	15.9	14.0	16.3	14.9
	16			10.8	10.3	12.2	10.8	13.4	11.4	14.3	12.2	15.1	13.5	15.7	15.0	16.2	16.0
	18					11.7	11.8	13.0	12.5	14.0	13.3	14.9	14.5	15.5	16.1	16.0	17.0
	20					11.2	12.8	12.6	13.5	13.7	14.3	14.7	15.6	15.4	17.1	15.9	18.1
	22							12.2	14.5	13.4	15.3	14.4	16.6	15.2	18.1	15.7	19.1
24							11.8	15.6	13.1	16.4	14.2	17.7	15.0	19.2	15.6	20.1	
560-34	2	21.5	3.0	22.1	3.6	22.4	4.2	22.7	4.9	22.9	5.9	23.1	7.3	23.3	9.0	23.4	10.1
	4	20.0	4.4	21.0	5.0	21.5	5.6	22.0	6.3	22.4	7.2	22.7	8.7	22.9	10.4	23.1	11.5
	6	18.7	5.8	20.0	6.4	20.7	7.0	21.4	7.7	21.9	8.6	22.3	10.1	22.6	11.8	22.9	12.9
	8	17.4	7.2	19.1	7.8	20.0	8.4	20.8	9.1	21.4	10.0	22.0	11.5	22.4	13.2	22.7	14.3
	10	16.3	8.6	18.2	9.2	19.3	9.7	20.3	10.5	21.0	11.4	21.7	12.9	22.1	14.6	22.5	15.7
	12	15.2	10.0	17.4	10.6	18.7	11.1	19.8	11.9	20.6	12.8	21.4	14.2	21.9	16.0	22.3	17.1
	14	14.2	11.4	16.6	12.0	18.1	12.5	19.3	13.3	20.2	14.2	21.1	15.6	21.7	17.3	22.1	18.4
	16			15.9	13.3	17.5	13.9	18.8	14.7	19.8	15.6	20.8	17.0	21.4	18.7	21.9	19.8
	18					16.9	15.3	18.3	16.0	19.4	17.0	20.5	18.4	21.2	20.1	21.8	21.2
20							17.9	17.4	19.1	18.3	20.2	19.8	21.0	21.5	21.6	22.6	
560-50	2	32.2	3.9	33.1	4.6	33.6	5.2	34.0	6.0	34.3	7.0	34.7	8.6	34.9	10.5	35.0	11.7
	4	29.8	6.0	31.3	6.6	32.2	7.2	32.9	8.1	33.5	9.1	34.0	10.7	34.4	12.6	34.6	13.8
	6	27.8	8.1	29.8	8.7	31.0	9.3	31.9	10.2	32.7	11.2	33.4	12.8	33.9	14.7	34.3	15.9
	8	25.9	10.2	28.4	10.8	29.8	11.4	31.1	12.2	32.0	13.3	32.9	14.9	33.5	16.7	33.9	18.0
	10	24.1	12.2	27.1	12.9	28.8	13.5	30.2	14.3	31.3	15.3	32.4	16.9	33.1	18.8	33.6	20.0
	12			25.8	15.0	27.8	15.6	29.4	16.4	30.7	17.4	31.9	19.0	32.7	20.9	33.3	22.1
	14					26.8	17.7	28.7	18.5	30.1	19.5	31.5	21.1	32.4	23.0	33.1	24.2
	16							27.9	20.6	29.5	21.6	31.0	23.2	32.1	25.1	32.8	26.3
560-72	2	46.4	5.3	47.6	6.1	48.4	6.9	49.0	7.9	49.5	9.2	49.9	11.2	50.2	13.6	50.4	15.1
	4	43.0	8.3	45.1	9.1	46.4	9.9	47.4	10.9	48.2	12.2	49.0	14.2	49.5	16.6	49.9	18.1
	6			43.0	12.1	44.6	12.9	46.0	13.9	47.1	15.2	48.1	17.2	48.9	19.6	49.4	21.1
	8					43.0	15.9	44.8	16.9	46.1	18.2	47.4	20.2	48.3	22.6	48.9	24.1
	10							43.6	19.9	45.2	21.2	46.7	23.2	47.7	25.6	48.5	27.1



2 H SERIES

800 PERFORMANCE @ 50Hz

U.S. STANDARD

Speed n=1450 rpm

Specification	Pressure ΔP PSI	Viscosity (mm ² /s) (cSt)															
		1		15		35		75		150		350		750		1500	
		Capacity GPM	Power HP	Capacity GPM	Power HP	Capacity GPM	Power HP	Capacity GPM	Power HP	Capacity GPM	Power HP	Capacity GPM	Power HP	Capacity GPM	Power HP	Capacity GPM	Power HP
800-30	29.0	122.8	6.7	126.4	8.2	128.1	9.7	129.4	11.6	130.8	13.9	131.6	17.8	132.5	22.3	133.0	25.1
	58.0	114.9	9.1	120.2	10.6	123.3	12.1	125.5	14.1	127.7	16.4	129.4	20.2	130.8	24.7	131.6	27.5
	87.0	107.4	11.5	114.9	13.0	118.9	14.5	122.4	16.4	125.0	18.8	127.2	22.7	129.0	27.1	130.3	29.9
	116.0	100.8	13.9	109.6	15.4	114.9	16.9	119.3	18.8	122.4	21.2	125.5	24.9	127.7	29.5	129.4	32.3
	145.0	94.7	16.4	105.2	17.8	111.4	19.3	116.2	21.2	120.2	23.6	123.7	27.4	126.4	31.9	128.1	34.7
	174.0	88.9	18.8	100.8	20.2	107.9	21.7	113.6	23.6	118.0	26.0	122.0	29.8	125.0	34.3	127.2	37.1
	203.1			96.9	22.7	104.3	24.1	111.0	26.0	115.8	28.4	120.6	32.2	123.7	36.6	126.4	39.6
	232.1			92.5	25.1	101.3	26.6	108.3	28.4	114.0	30.8	118.9	34.6	122.8	39.0	125.0	42.0
	261.1					97.7	29.0	105.7	30.8	111.8	33.3	117.6	37.0	121.5	41.4	124.2	44.4
	290.1					95.1	31.4	103.5	33.3	110.1	35.7	116.2	39.4	120.2	43.9	123.3	46.8
	319.1							101.3	35.7	107.9	38.1	114.9	41.8	119.3	46.3	122.4	49.2
348.1							98.6	38.1	106.1	40.5	113.2	44.3	118.4	48.7	121.5	51.5	
800-40	29.0	166.0	7.8	169.9	9.4	172.1	10.9	173.9	13.0	175.2	15.6	176.6	19.6	177.4	24.3	178.3	27.4
	58.0	155.9	11.0	162.5	12.6	166.0	14.1	169.1	16.2	171.7	18.8	173.9	22.8	175.2	27.5	176.6	30.6
	87.0	147.1	14.2	155.9	15.8	160.7	17.3	165.1	19.4	168.2	22.0	171.3	26.0	173.5	30.7	174.8	33.8
	116.0	139.1	17.4	150.1	19.0	155.9	20.5	161.1	22.7	165.1	25.2	169.1	29.2	171.7	33.9	173.5	37.0
	145.0	131.6	20.7	144.4	22.3	151.5	23.7	157.6	25.9	162.5	28.4	166.9	32.5	169.9	37.1	172.1	40.2
	174.0			139.1	25.5	147.5	27.0	154.5	29.1	159.8	31.6	165.1	35.7	168.6	40.4	170.8	43.4
	203.1			133.8	28.7	143.1	30.2	151.0	32.3	157.2	34.9	162.9	38.9	166.9	43.6	169.9	46.7
	232.1					139.1	33.4	147.9	35.5	155.0	38.1	161.1	42.1	165.5	46.8	168.6	49.9
	261.1							144.9	38.8	152.3	41.3	159.4	45.3	164.2	50.0	167.7	53.1
	290.1							142.2	42.0	150.1	44.5	157.6	48.5	162.9	53.2	166.4	56.3
800-60	29.0	250.1	10.0	255.4	11.8	258.4	13.5	261.1	15.8	262.8	18.8	264.6	23.3	265.9	28.7	266.8	32.0
	58.0	236.9	14.8	245.2	16.6	250.5	18.4	254.5	20.7	257.6	23.6	260.6	28.2	262.8	33.5	264.6	36.9
	87.0	225.0	19.6	236.4	21.5	243.5	23.2	248.8	25.5	253.2	28.4	257.6	33.0	260.2	38.4	262.4	41.7
	116.0			228.5	26.3	236.9	28.0	243.9	30.3	249.2	33.3	254.5	37.8	258.0	43.0	260.6	46.5
	145.0			221.0	31.1	230.7	32.9	239.1	35.1	245.7	38.0	251.4	42.5	255.8	47.9	258.9	51.4
	174.0					225.0	37.5	234.7	40.0	241.7	42.8	248.8	47.3	253.6	52.7	257.1	56.2
	203.1					219.3	42.4	230.3	44.8	238.2	47.6	246.1	52.2	251.4	57.5	255.4	61.0
	232.1							225.9	49.6	235.1	52.4	243.9	57.0	249.6	62.4	254.0	65.8
800-80	29.0	328.4	12.2	336.8	14.2	341.7	16.2	345.6	18.8	348.7	22.0	351.8	27.1	354.0	33.1	355.3	36.9
	58.0	306.0	18.6	320.1	20.7	328.4	22.7	335.1	25.2	340.3	28.4	345.6	33.5	349.1	39.6	351.3	43.3
	87.0			305.6	27.1	316.6	29.1	326.2	31.6	333.3	34.9	339.9	40.0	344.7	46.0	348.3	49.8
	116.0					306.0	35.4	317.9	38.1	326.7	41.3	335.1	46.4	340.8	52.3	345.2	56.2
	145.0							310.0	44.5	320.5	47.7	330.2	52.8	337.3	58.7	342.1	62.6

Blackmer reserves the right to change the data in the table without prior notice.

Speed n=1450 rpm

METRIC

Specification	Pressure ΔP bar	Viscosity (mm ² /s) (cSt)															
		1		15		35		75		150		350		750		1500	
		Capacity m ³ /h	Power kW	Capacity m ³ /h	Power kW	Capacity m ³ /h	Power kW	Capacity m ³ /h	Power kW	Capacity m ³ /h	Power kW	Capacity m ³ /h	Power kW	Capacity m ³ /h	Power kW	Capacity m ³ /h	Power kW
800-30	2	27.9	5.0	28.7	6.1	29.1	7.2	29.4	8.7	29.7	10.4	29.9	13.3	30.1	16.6	30.2	18.7
	4	26.1	6.8	27.3	7.9	28.0	9.0	28.5	10.5	29.0	12.2	29.4	15.1	29.7	18.4	29.9	20.5
	6	24.4	8.6	26.1	9.7	27.0	10.8	27.8	12.2	28.4	14.0	28.9	16.9	29.3	20.2	29.6	22.3
	8	22.9	10.4	24.9	11.5	26.1	12.6	27.1	14.0	27.8	15.8	28.5	18.6	29.0	22.0	29.4	24.1
	10	21.5	12.2	23.9	13.3	25.3	14.4	26.4	15.8	27.3	17.6	28.1	20.4	28.7	23.8	29.1	25.9
	12	20.2	14.0	22.9	15.1	24.5	16.2	25.8	17.6	26.8	19.4	27.7	22.2	28.4	25.6	28.9	27.7
	14			22.0	16.9	23.7	18.0	25.2	19.4	26.3	21.2	27.4	24.0	28.1	27.3	28.7	29.5
	16			21.0	18.7	23.0	19.8	24.6	21.2	25.9	23.0	27.0	25.8	27.9	29.1	28.4	31.3
	18					22.2	21.6	24.0	23.0	25.4	24.8	26.7	27.6	27.6	30.9	28.2	33.1
	20					21.6	23.4	23.5	24.8	25.0	26.6	26.4	29.4	27.3	32.7	28.0	34.9
	22							23.0	26.6	24.5	28.4	26.1	31.2	27.1	34.5	27.8	36.7
24							22.4	28.4	24.1	30.2	25.7	33.0	26.9	36.3	27.6	38.4	
800-40	2	37.7	5.8	38.6	7.0	39.1	8.2	39.5	9.7	39.8	11.6	40.1	14.6	40.3	18.1	40.5	20.4
	4	35.4	8.2	36.9	9.4	37.7	10.5	38.4	12.1	39.0	14.0	39.5	17.0	39.8	20.5	40.1	22.8
	6	33.4	10.6	35.4	11.8	36.5	12.9	37.5	14.5	38.2	16.4	38.9	19.4	39.4	22.9	39.7	25.2
	8	31.6	13.0	34.1	14.2	35.4	15.3	36.6	16.9	37.5	18.8	38.4	21.8	39.0	25.3	39.4	27.6
	10	29.9	15.4	32.8	16.6	34.4	17.7	35.8	19.3	36.9	21.2	37.9	24.2	38.6	27.7	39.1	30.0
	12			31.6	19.0	33.5	20.1	35.1	21.7	36.3	23.6	37.5	26.6	38.3	30.1	38.8	32.4
	14			30.4	21.4	32.5	22.5	34.3	24.1	35.7	26.0	37.0	29.0	37.9	32.5	38.6	34.8
	16					31.6	24.9	33.6	26.5	35.2	28.4	36.6	31.4	37.6	34.9	38.3	37.2
	18							32.9	28.9	34.6	30.8	36.2	33.8	37.3	37.3	38.1	39.6
20							32.3	31.3	34.1	33.2	35.8	36.2	37.0	39.7	37.8	42.0	
800-60	2	56.8	7.5	58.0	8.8	58.7	10.1	59.3	11.8	59.7	14.0	60.1	17.4	60.4	21.4	60.6	23.9
	4	53.8	11.0	55.7	12.4	56.9	13.7	57.8	15.4	58.5	17.6	59.2	21.0	59.7	25.0	60.1	27.5
	6	51.1	14.6	53.7	16.0	55.3	17.3	56.5	19.0	57.5	21.2	58.5	24.6	59.1	28.6	59.6	31.1
	8			51.9	19.6	53.8	20.9	55.4	22.6	56.6	24.8	57.8	28.2	58.6	32.1	59.2	34.7
	10			50.2	23.2	52.4	24.5	54.3	26.2	55.8	28.3	57.1	31.7	58.1	35.7	58.8	38.3
	12					51.1	28.0	53.3	29.8	54.9	31.9	56.5	35.3	57.6	39.3	58.4	41.9
	14					49.8	31.6	52.3	33.4	54.1	35.5	55.9	38.9	57.1	42.9	58.0	45.5
16							51.3	37.0	53.4	39.1	55.4	42.5	56.7	46.5	57.7	49.1	
800-80	2	74.6	9.1	76.5	10.6	77.6	12.1	78.5	14.0	79.2	16.4	79.9	20.2	80.4	24.7	80.7	27.5
	4	69.5	13.9	72.7	15.4	74.6	16.9	76.1	18.8	77.3	21.2	78.5	25.0	79.3	29.5	79.8	32.3
	6			69.4	20.2	71.9	21.7	74.1	23.6	75.7	26.0	77.2	29.8	78.3	34.3	79.1	37.1
	8					69.5	26.4	72.2	28.4	74.2	30.8	76.1	34.6	77.4	39.0	78.4	41.9
	10							70.4	33.2	72.8	35.6	75.0	39.4	76.6	43.8	77.7	46.7



2 H SERIES

1400 PERFORMANCE @ 50Hz

U.S. STANDARD

Speed n=1450 rpm

Specification	Pressure ΔP PSI	Viscosity (mm ² /s) (cSt)															
		1		15		35		75		150		350		750		1500	
		Capacity GPM	Power HP	Capacity GPM	Power HP	Capacity GPM	Power HP	Capacity GPM	Power HP	Capacity GPM	Power HP	Capacity GPM	Power HP	Capacity GPM	Power HP	Capacity GPM	Power HP
1400-38	29.0	234.2	8.8	238.6	10.3	240.8	11.7	243.0	13.7	244.8	16.1	246.1	19.8	247.4	24.4	247.9	27.2
	58.0	222.8	13.3	230.3	14.8	234.2	16.2	237.8	18.2	240.4	20.5	243.0	24.4	244.8	28.8	246.1	31.6
	87.0	212.7	17.7	222.8	19.2	228.5	20.7	232.9	22.7	236.9	25.1	240.4	28.8	242.6	33.3	244.4	36.2
	116.0	203.4	22.3	215.7	23.7	222.8	25.2	228.9	27.1	233.3	29.5	237.8	33.3	240.8	37.8	242.6	40.6
	145.0	195.0	26.7	209.6	28.2	217.9	29.6	225.0	31.6	230.3	33.9	235.1	37.8	238.6	42.2	241.3	45.1
	174.0	186.7	31.1	203.4	32.6	212.7	34.1	221.0	36.1	227.2	38.5	232.9	42.2	236.9	46.7	240.0	49.6
	203.1			197.7	37.1	208.3	38.6	217.1	40.5	224.1	42.9	230.7	46.7	235.1	51.2	238.6	54.0
	232.1					203.8	43.0	213.5	45.1	221.5	47.3	228.5	51.2	233.8	55.7	237.3	58.5
	261.1					199.4	47.5	210.5	49.5	218.8	51.9	226.7	55.7	232.0	60.1	236.0	63.0
	290.1							206.9	53.9	216.2	56.3	224.5	60.1	230.7	64.6	234.7	67.5
	319.1							203.8	58.5	213.5	60.7	222.8	64.6	228.9	69.1	233.3	71.9
348.1									210.9	65.3	220.6	69.1	227.6	73.5	232.5	76.4	
1400-50	29.0	315.7	10.8	320.5	12.5	323.6	14.1	325.8	16.4	327.6	19.0	329.3	23.2	330.7	28.3	331.5	31.5
	58.0	302.9	16.8	311.3	18.5	315.7	20.1	319.6	22.3	322.7	24.9	325.8	29.2	327.6	34.2	329.3	37.4
	87.0	291.5	22.7	302.9	24.4	309.1	26.0	314.4	28.3	318.8	31.0	322.7	35.1	325.4	40.2	327.1	43.4
	116.0	281.3	28.7	295.0	30.4	302.9	32.0	309.5	34.2	314.8	36.9	319.6	41.2	323.2	46.1	325.4	49.3
	145.0	271.7	34.6	287.9	36.3	297.2	38.0	305.1	40.1	311.3	42.9	317.0	47.1	321.0	52.2	323.6	55.2
	174.0			280.9	42.2	291.9	44.0	300.7	46.1	307.8	48.8	314.4	53.1	318.8	58.1	322.3	61.3
	203.1			274.3	48.3	286.6	49.9	296.7	52.0	304.7	54.7	311.7	59.0	317.0	64.0	320.5	67.2
	232.1					281.3	55.8	292.8	58.1	301.2	60.7	309.5	65.0	315.2	70.0	319.2	73.2
	261.1							288.8	64.0	298.1	66.6	307.3	70.9	313.5	75.9	317.9	79.1
	290.1									295.4	72.7	305.1	76.8	311.7	81.9	316.6	85.2
1400-75	29.0	472.9	14.8	480.3	16.8	484.7	18.6	488.3	21.3	490.9	24.5	493.6	29.6	495.8	35.5	497.1	39.4
	58.0	452.6	23.6	465.4	25.7	472.9	27.6	479.0	30.3	483.9	33.5	488.3	38.5	491.4	44.5	493.6	48.4
	87.0	435.4	32.6	452.6	34.6	462.3	36.6	470.7	39.2	477.3	42.4	483.4	47.5	487.4	53.5	490.5	57.3
	116.0			440.7	43.6	452.6	45.5	463.2	48.1	471.1	51.4	478.6	56.5	483.9	62.4	487.8	66.2
	145.0			429.3	52.6	443.8	54.4	456.1	57.1	465.4	60.3	474.6	65.3	480.8	71.3	485.2	75.2
	174.0					435.4	63.4	449.5	66.0	460.1	69.2	470.7	74.3	477.7	80.3	482.5	84.1
	203.1							442.9	75.0	455.2	78.2	466.7	83.3	474.6	89.2	480.3	93.1
	232.1									450.4	87.2	463.2	92.1	471.5	98.2	478.1	102
1400-96	29.0	593.9	17.8	605.8	20.1	612.4	22.3	618.6	25.2	623.0	28.8	627.0	34.5	630.0	41.2	631.8	45.5
	58.0	562.7	29.2	582.5	31.5	593.9	33.7	603.6	36.6	611.1	40.2	618.2	45.9	623.0	52.6	626.5	56.9
	87.0			562.2	42.9	577.6	45.1	590.9	48.0	601.0	51.6	610.7	57.3	617.3	64.0	621.7	68.3
	116.0							579.0	59.4	591.7	63.0	603.6	68.7	611.5	75.4	617.7	79.7
	145.0									582.9	74.4	597.0	80.1	606.7	86.8	613.3	91.1

Blackmer reserves the right to change the data in the table without prior notice.



Speed n=1450 rpm

METRIC

Specification	Pressure ΔP bar	Viscosity (mm ² /s) (cSt)															
		1		15		35		75		150		350		750		1500	
		Capacity m ³ /h	Power kW	Capacity m ³ /h	Power kW	Capacity m ³ /h	Power kW	Capacity m ³ /h	Power kW	Capacity m ³ /h	Power kW	Capacity m ³ /h	Power kW	Capacity m ³ /h	Power kW	Capacity m ³ /h	Power kW
1400-38	2	53.2	6.6	54.2	7.7	54.7	8.8	55.2	10.2	55.6	12.0	55.9	14.8	56.2	18.2	56.3	20.3
	4	50.6	9.9	52.3	11.0	53.2	12.1	54.0	13.6	54.6	15.3	55.2	18.2	55.6	21.5	55.9	23.6
	6	48.3	13.2	50.6	14.3	51.9	15.4	52.9	16.9	53.8	18.7	54.6	21.5	55.1	24.8	55.5	27.0
	8	46.2	16.6	49.0	17.7	50.6	18.8	52.0	20.2	53.0	22.0	54.0	24.8	54.7	28.2	55.1	30.3
	10	44.3	19.9	47.6	21.0	49.5	22.1	51.1	23.6	52.3	25.3	53.4	28.2	54.2	31.5	54.8	33.6
	12	42.4	23.2	46.2	24.3	48.3	25.4	50.2	26.9	51.6	28.7	52.9	31.5	53.8	34.8	54.5	37.0
	14			44.9	27.7	47.3	28.8	49.3	30.2	50.9	32.0	52.4	34.8	53.4	38.2	54.2	40.3
	16					46.3	32.1	48.5	33.6	50.3	35.3	51.9	38.2	53.1	41.5	53.9	43.6
	18					45.3	35.4	47.8	36.9	49.7	38.7	51.5	41.5	52.7	44.8	53.6	47.0
	20							47.0	40.2	49.1	42.0	51.0	44.8	52.4	48.2	53.3	50.3
	22							46.3	43.6	48.5	45.3	50.6	48.2	52.0	51.5	53.0	53.6
24									47.9	48.7	50.1	51.5	51.7	54.8	52.8	57.0	
1400-50	2	71.7	8.1	72.8	9.3	73.5	10.5	74.0	12.2	74.4	14.2	74.8	17.3	75.1	21.1	75.3	23.5
	4	68.8	12.5	70.7	13.8	71.7	15.0	72.6	16.6	73.3	18.6	74.0	21.8	74.4	25.5	74.8	27.9
	6	66.2	16.9	68.8	18.2	70.2	19.4	71.4	21.1	72.4	23.1	73.3	26.2	73.9	30.0	74.3	32.4
	8	63.9	21.4	67.0	22.7	68.8	23.9	70.3	25.5	71.5	27.5	72.6	30.7	73.4	34.4	73.9	36.8
	10	61.7	25.8	65.4	27.1	67.5	28.3	69.3	29.9	70.7	32.0	72.0	35.1	72.9	38.9	73.5	41.2
	12			63.8	31.5	66.3	32.8	68.3	34.4	69.9	36.4	71.4	39.6	72.4	43.3	73.2	45.7
	14			62.3	36.0	65.1	37.2	67.4	38.8	69.2	40.8	70.8	44.0	72.0	47.7	72.8	50.1
	16					63.9	41.6	66.5	43.3	68.4	45.3	70.3	48.5	71.6	52.2	72.5	54.6
	18							65.6	47.7	67.7	49.7	69.8	52.9	71.2	56.6	72.2	59.0
	20									67.1	54.2	69.3	57.3	70.8	61.1	71.9	63.5
1400-75	2	107.4	11.0	109.1	12.5	110.1	13.9	110.9	15.9	111.5	18.3	112.1	22.1	112.6	26.5	112.9	29.4
	4	102.8	17.6	105.7	19.2	107.4	20.6	108.8	22.6	109.9	25.0	110.9	28.7	111.6	33.2	112.1	36.1
	6	98.9	24.3	102.8	25.8	105.0	27.3	106.9	29.2	108.4	31.6	109.8	35.4	110.7	39.9	111.4	42.7
	8			100.1	32.5	102.8	33.9	105.2	35.9	107.0	38.3	108.7	42.1	109.9	46.5	110.8	49.4
	10			97.5	39.2	100.8	40.6	103.6	42.6	105.7	45.0	107.8	48.7	109.2	53.2	110.2	56.1
	12					98.9	47.3	102.1	49.2	104.5	51.6	106.9	55.4	108.5	59.9	109.6	62.7
	14							100.6	55.9	103.4	58.3	106.0	62.1	107.8	66.5	109.1	69.4
	16									102.3	65.0	105.2	68.7	107.1	73.2	108.6	76.1
1400-96	2	134.9	13.3	137.6	15.0	139.1	16.6	140.5	18.8	141.5	21.5	142.4	25.7	143.1	30.7	143.5	33.9
	4	127.8	21.8	132.3	23.5	134.9	25.1	137.1	27.3	138.8	30.0	140.4	34.2	141.5	39.2	142.3	42.4
	6			127.7	32.0	131.2	33.6	134.2	35.8	136.5	38.5	138.7	42.7	140.2	47.7	141.2	50.9
	8							131.5	44.3	134.4	47.0	137.1	51.2	138.9	56.2	140.3	59.4
	10									132.4	55.5	135.6	59.7	137.8	64.7	139.3	67.9



2 H SERIES

2500 PERFORMANCE @ 50Hz

U.S. STANDARD

Speed n=1450 rpm

Specification	Pressure ΔP PSI	Viscosity (mm ² /s) (cSt)															
		1		15		35		75		150		350		750		1500	
		Capacity GPM	Power HP	Capacity GPM	Power HP	Capacity GPM	Power HP	Capacity GPM	Power HP	Capacity GPM	Power HP	Capacity GPM	Power HP	Capacity GPM	Power HP	Capacity GPM	Power HP
2500-43	29.0	376.9	15.0	383.9	17.7	387.9	20.4	391.0	23.9	393.6	28.2	395.8	35.0	397.6	43.2	398.9	48.3
	58.0	359.3	22.1	370.7	24.9	376.9	27.5	382.6	31.1	387.0	35.4	391.0	42.2	393.6	50.3	395.8	55.5
	87.0	343.4	29.4	358.8	32.0	367.6	34.7	375.1	38.2	380.8	42.5	386.6	49.5	390.1	57.5	392.7	62.6
	116.0	329.3	36.5	348.3	39.3	359.3	41.8	368.5	45.5	375.6	49.8	382.6	56.6	387.0	64.6	390.5	69.9
	145.0	315.7	43.7	338.1	46.4	351.3	49.1	362.4	52.6	370.7	57.0	378.6	63.8	384.4	71.9	388.3	77.0
	174.0	302.9	51.0	328.9	53.6	343.9	56.2	356.2	59.8	365.9	64.1	375.1	70.9	381.3	79.0	386.1	84.2
	203.1	290.6	58.1	319.6	60.7	336.4	63.4	350.5	66.9	361.5	71.3	371.6	78.2	378.6	86.2	383.9	91.3
	232.1			310.8	68.0	329.3	70.7	344.7	74.2	357.1	78.4	368.5	85.3	376.0	93.3	381.7	98.6
	261.1			302.5	75.2	322.3	77.8	339.5	81.3	352.7	85.7	365.0	92.5	373.8	101	380.0	106
	290.1					315.7	85.0	334.2	88.5	348.7	92.8	361.9	99.6	371.2	108	377.8	113
	319.1							329.3	95.7	344.3	100	358.8	107	369.0	115	376.0	120
	348.1							324.0	103	340.3	107	355.7	114	366.8	122	374.2	127
2500-56	29.0	493.1	18.0	501.9	21.1	506.8	23.9	511.2	27.8	514.2	32.6	517.3	40.1	519.5	49.1	521.3	54.7
	58.0	469.8	27.4	484.7	30.4	493.1	33.3	500.2	37.1	505.9	42.0	511.2	49.5	514.7	58.5	517.3	64.1
	87.0	449.5	36.7	469.3	39.8	480.8	42.6	490.5	46.5	498.4	51.4	505.4	58.9	510.3	67.9	513.8	73.5
	116.0	430.6	46.1	455.7	49.2	469.8	52.0	482.1	55.9	491.4	60.7	500.2	68.3	505.9	77.2	510.3	82.9
	145.0	413.0	55.5	442.5	58.6	459.2	61.4	473.7	65.3	484.7	70.1	495.3	77.6	502.4	86.6	507.2	92.3
	174.0			430.2	68.0	449.5	70.8	465.8	74.7	478.6	79.5	490.5	87.0	498.8	96.0	504.6	102
	203.1					439.8	80.2	458.3	84.1	472.4	88.9	486.1	96.4	495.3	105	501.9	111
	232.1							451.3	93.5	466.7	98.3	481.7	106	491.8	115	499.3	120
	261.1									461.4	108	477.3	115	488.7	124	496.6	130
	290.1									455.7	117	473.3	125	485.6	134	494.0	139
2500-85	29.0	740.1	24.3	754.2	27.8	762.6	31.1	769.2	35.7	774.5	41.3	779.3	50.2	782.8	60.6	785.5	67.3
	58.0	703.1	38.4	726.9	42.0	740.6	45.3	752.0	49.9	760.8	55.5	769.2	64.4	774.9	74.8	778.9	81.4
	87.0	670.5	52.6	702.7	56.1	721.2	59.4	736.6	64.1	748.5	69.6	759.9	78.4	767.8	88.9	773.1	95.6
	116.0			680.7	70.3	703.1	73.6	722.5	78.2	737.5	83.8	751.6	92.7	761.2	103	768.3	110
	145.0					686.8	87.8	709.3	92.4	726.9	97.9	743.6	107	755.1	117	763.4	124
	174.0							697.0	106	717.2	112	736.1	121	749.4	131	758.6	138
	203.1									707.5	126	729.1	135	743.6	145	754.2	152
	232.1									698.3	140	722.1	149	738.3	160	750.2	166
2500-112	29.0	984.0	30.4	1001	34.5	1010	38.5	1019	43.7	1025	50.3	1031	60.6	1035	72.7	1038	80
	58.0	939.6	49.1	967.7	53.2	984.0	57.1	998.1	62.5	1009	68.9	1019	79.3	1025	91.3	1030	99.1
	87.0			938.7	71.9	960.7	75.8	979.6	81.1	994.2	87.7	1008	97.9	1017	110	1024	118
	116.0							962.9	99.8	980.5	106	998	117	1009	129	1017	137
	145.0									968.2	125	988	135	1002	147	1012	155

Blackmer reserves the right to change the data in the table without prior notice.

2500 PERFORMANCE @ 50Hz

Speed n=1450 rpm

METRIC

Specification	Pressure ΔP bar	Viscosity (mm ² /s) (cSt)															
		1		15		35		75		150		350		750		1500	
		Capacity m ³ /h	Power kW	Capacity m ³ /h	Power kW	Capacity m ³ /h	Power kW	Capacity m ³ /h	Power kW	Capacity m ³ /h	Power kW	Capacity m ³ /h	Power kW	Capacity m ³ /h	Power kW	Capacity m ³ /h	Power kW
2500-43	2	85.6	11.2	87.2	13.2	88.1	15.2	88.8	17.8	89.4	21.0	89.9	26.1	90.3	32.2	90.6	36.0
	4	81.6	16.5	84.2	18.6	85.6	20.5	86.9	23.2	87.9	26.4	88.8	31.5	89.4	37.5	89.9	41.4
	6	78.0	21.9	81.5	23.9	83.5	25.9	85.2	28.5	86.5	31.7	87.8	36.9	88.6	42.9	89.2	46.7
	8	74.8	27.2	79.1	29.3	81.6	31.2	83.7	33.9	85.3	37.1	86.9	42.2	87.9	48.2	88.7	52.1
	10	71.7	32.6	76.8	34.6	79.8	36.6	82.3	39.2	84.2	42.5	86.0	47.6	87.3	53.6	88.2	57.4
	12	68.8	38.0	74.7	40.0	78.1	41.9	80.9	44.6	83.1	47.8	85.2	52.9	86.6	58.9	87.7	62.8
	14	66.0	43.3	72.6	45.3	76.4	47.3	79.6	49.9	82.1	53.2	84.4	58.3	86.0	64.3	87.2	68.1
	16			70.6	50.7	74.8	52.7	78.3	55.3	81.1	58.5	83.7	63.6	85.4	69.6	86.7	73.5
	18			68.7	56.1	73.2	58.0	77.1	60.6	80.1	63.9	82.9	69.0	84.9	75.0	86.3	78.9
	20					71.7	63.4	75.9	66.0	79.2	69.2	82.2	74.3	84.3	80.4	85.8	84.2
	22							74.8	71.4	78.2	74.6	81.5	79.7	83.8	85.7	85.4	89.6
24							73.6	76.7	77.3	79.9	80.8	85.1	83.3	91.1	85.0	94.9	
2500-56	2	112.0	13.4	114.0	15.7	115.1	17.8	116.1	20.7	116.8	24.3	117.5	29.9	118.0	36.6	118.4	40.8
	4	106.7	20.4	110.1	22.7	112.0	24.8	113.6	27.7	114.9	31.3	116.1	36.9	116.9	43.6	117.5	47.8
	6	102.1	27.4	106.6	29.7	109.2	31.8	111.4	34.7	113.2	38.3	114.8	43.9	115.9	50.6	116.7	54.8
	8	97.8	34.4	103.5	36.7	106.7	38.8	109.5	41.7	111.6	45.3	113.6	50.9	114.9	57.6	115.9	61.8
	10	93.8	41.4	100.5	43.7	104.3	45.8	107.6	48.7	110.1	52.3	112.5	57.9	114.1	64.6	115.2	68.8
	12			97.7	50.7	102.1	52.8	105.8	55.7	108.7	59.3	111.4	64.9	113.3	71.6	114.6	75.8
	14					99.9	59.8	104.1	62.7	107.3	66.3	110.4	71.9	112.5	78.6	114.0	82.8
	16							102.5	69.7	106.0	73.3	109.4	78.9	111.7	85.6	113.4	89.8
	18									104.8	80.3	108.4	85.9	111.0	92.6	112.8	96.8
20									103.5	87.3	107.5	92.9	110.3	99.6	112.2	103.8	
2500-85	2	168.1	18.1	171.3	20.7	173.2	23.2	174.7	26.6	175.9	30.8	177.0	37.4	177.8	45.2	178.4	50.2
	4	159.7	28.6	165.1	31.3	168.2	33.8	170.8	37.2	172.8	41.4	174.7	48.0	176.0	55.8	176.9	60.7
	6	152.3	39.2	159.6	41.8	163.8	44.3	167.3	47.8	170.0	51.9	172.6	58.5	174.4	66.3	175.6	71.3
	8			154.6	52.4	159.7	54.9	164.1	58.3	167.5	62.5	170.7	69.1	172.9	76.9	174.5	81.9
	10					156.0	65.5	161.1	68.9	165.1	73.0	168.9	79.7	171.5	87.4	173.4	92.4
	12							158.3	79.4	162.9	83.6	167.2	90.2	170.2	98.0	172.3	103.0
	14									160.7	94.2	165.6	100.8	168.9	108.5	171.3	113.5
	16									158.6	104.7	164.0	111.3	167.7	119.1	170.4	124.1
2500-112	2	223.5	22.7	227.3	25.7	229.5	28.7	231.4	32.6	232.8	37.5	234.2	45.2	235.1	54.2	235.8	60.0
	4	213.4	36.6	219.8	39.7	223.5	42.6	226.7	46.6	229.1	51.4	231.4	59.1	232.9	68.1	234.0	73.9
	6			213.2	53.6	218.2	56.5	222.5	60.5	225.8	65.4	228.9	73.0	231.0	82.1	232.5	87.8
	8							218.7	74.4	222.7	79.3	226.6	87.0	229.2	96.0	231.1	101.8
	10									219.9	93.2	224.4	100.9	227.6	109.9	229.8	115.7

Blackmer reserves the right to change the data in the table without prior notice.



2 H SERIES

4200 PERFORMANCE @ 50Hz

U.S. STANDARD

Speed n=1450 rpm

Specification	Pressure ΔP PSI	Viscosity (mm ² /s) (cSt)															
		1		15		35		75		150		350		750		1500	
		Capacity GPM	Power HP	Capacity GPM	Power HP	Capacity GPM	Power HP	Capacity GPM	Power HP	Capacity GPM	Power HP	Capacity GPM	Power HP	Capacity GPM	Power HP	Capacity GPM	Power HP
4200-50	29.0	678.5	29.1	686.8	34.9	691.7	40.4	695.6	47.7	698.7	56.9	701.8	71.3	704.0	88.4	705.3	99.2
	58.0	656.0	41.7	670.1	47.5	678.5	53.0	685.5	60.5	690.8	69.6	695.6	84.1	699.2	101	701.4	112
	87.0	636.6	54.4	655.6	60.2	666.6	65.7	676.3	73.1	683.3	82.2	690.4	96.7	694.8	114	698.3	125
	116.0	618.6	67.1	642.4	72.8	656.0	78.3	667.9	85.8	676.7	94.9	685.1	109	690.8	126	695.2	137
	145.0	601.4	79.8	630.0	85.4	646.3	91.1	660.0	98.4	670.5	108	680.2	122	687.3	139	692.1	150
	174.0	585.6	92.4	618.2	98.2	636.6	104	652.5	111	664.4	120	675.8	135	683.8	152	689.5	163
	203.1	570.2	105	606.7	111	627.4	116	645.0	124	658.7	133	671.4	147	680.7	164	686.8	175
	232.1	555.2	118	595.7	124	618.6	129	638.4	136	653.4	146	667.5	160	677.2	177	684.2	188
	261.1			585.1	136	610.2	142	631.4	149	648.1	158	663.5	173	674.1	190	681.6	200
	290.1					601.9	154	624.8	162	642.8	171	659.5	185	671.0	202	679.4	213
	319.1							618.6	174	637.5	184	655.6	198	668.3	215	677.2	226
	348.1									632.7	196	652.1	211	665.3	228	674.5	239
4200-67	29.0	903.5	34.1	914.0	40.1	920.2	45.9	925.5	53.6	929.9	63.2	933.4	78.3	936.0	96.1	938.2	108
	58.0	874.8	51.0	892.9	56.9	903.5	62.8	912.3	70.5	918.9	80.1	925.5	95.2	929.9	113	933.0	124
	87.0	849.7	67.7	874.4	73.8	888.5	79.5	900.4	87.3	909.6	97.0	918.4	112	924.6	130	929.0	141
	116.0	826.4	84.6	857.2	90.5	874.8	96.4	889.8	104	901.3	114	912.3	129	919.3	147	925.0	158
	145.0	804.8	101	841.4	107	862.1	113	879.7	121	893.3	131	906.1	146	914.9	163	921.1	175
	174.0	784.6	118	826.0	124	849.7	130	870.0	138	885.4	147	900.4	163	910.5	180	917.5	192
	203.1			811.4	141	838.3	147	860.7	155	878.4	164	894.6	179	906.1	197	914.0	209
	232.1					826.8	164	851.9	172	871.3	181	889.4	196	902.1	214	910.9	225
	261.1							843.1	188	864.3	198	884.1	213	897.7	231	907.9	242
	290.1									857.7	215	879.2	230	894.2	248	904.8	259
4200-96	29.0	1287	42.6	1307	49.1	1318	55.2	1328	63.6	1335	73.8	1342	89.8	1347	109	1350	121
	58.0	1235	66.9	1268	73.4	1287	79.5	1303	87.8	1316	98.0	1327	114	1335	133	1342	145
	87.0	1189	91.2	1234	97.6	1260	104	1282	112	1299	122	1315	139	1326	157	1334	170
	116.0	1147	115	1203	122	1235	128	1262	136	1283	147	1303	163	1316	182	1326	194
	145.0			1174	146	1212	152	1244	161	1268	171	1292	187	1308	206	1320	218
	174.0					1189	177	1226	185	1254	195	1281	211	1300	230	1313	242
	203.1									1241	220	1271	236	1292	255	1307	267
	232.1									1228	244	1261	260	1284	279	1301	291
4200-128	29.0	1696	52.6	1728	59.7	1746	66.4	1762	75.6	1774	86.8	1785	105	1793	125	1798	139
	58.0	1612	85.0	1666	92.0	1696	98.8	1722	108	1743	119	1762	137	1774	158	1784	171
	87.0	1539	117	1611	124	1653	131	1688	140	1715	152	1741	169	1758	190	1771	204
	116.0			1561	157	1613	164	1656	173	1690	184	1722	202	1744	223	1759	236
	145.0							1627	205	1666	216	1704	234	1730	255	1748	268

Blackmer reserves the right to change the data in the table without prior notice.

4200 PERFORMANCE @ 50Hz

Speed n=1450 rpm

METRIC

Specification	Pressure ΔP bar	Viscosity (mm ² /s) (cSt)															
		1		15		35		75		150		350		750		1500	
		Capacity m ³ /h	Power kW	Capacity m ³ /h	Power kW	Capacity m ³ /h	Power kW	Capacity m ³ /h	Power kW	Capacity m ³ /h	Power kW	Capacity m ³ /h	Power kW	Capacity m ³ /h	Power kW	Capacity m ³ /h	Power kW
4200-50	2	154.1	21.7	156.0	26.0	157.1	30.1	158.0	35.6	158.7	42.4	159.4	53.2	159.9	65.9	160.2	74.0
	4	149.0	31.1	152.2	35.4	154.1	39.5	155.7	45.1	156.9	51.9	158.0	62.7	158.8	75.3	159.3	83.4
	6	144.6	40.6	148.9	44.9	151.4	49.0	153.6	54.5	155.2	61.3	156.8	72.1	157.8	84.8	158.6	92.9
	8	140.5	50.0	145.9	54.3	149.0	58.4	151.7	64.0	153.7	70.8	155.6	81.5	156.9	94.2	157.9	102.3
	10	136.6	59.5	143.1	63.7	146.8	67.9	149.9	73.4	152.3	80.2	154.5	91.0	156.1	103.6	157.2	111.8
	12	133.0	68.9	140.4	73.2	144.6	77.3	148.2	82.9	150.9	89.7	153.5	100.4	155.3	113.1	156.6	121.2
	14	129.5	78.4	137.8	82.6	142.5	86.8	146.5	92.3	149.6	99.1	152.5	109.9	154.6	122.5	156.0	130.6
	16	126.1	87.8	135.3	92.1	140.5	96.2	145.0	101.7	148.4	108.6	151.6	119.3	153.8	132.0	155.4	140.1
	18			132.9	101.5	138.6	105.6	143.4	111.2	147.2	118.0	150.7	128.8	153.1	141.4	154.8	149.5
	20					136.7	115.1	141.9	120.6	146.0	127.4	149.8	138.2	152.4	150.9	154.3	159.0
	22							140.5	130.1	144.8	136.9	148.9	147.7	151.8	160.3	153.8	168.4
	24									143.7	146.3	148.1	157.1	151.1	169.8	153.2	177.9
4200-67	2	205.2	25.4	207.6	29.9	209.0	34.2	210.2	40.0	211.2	47.1	212.0	58.4	212.6	71.7	213.1	80.2
	4	198.7	38.0	202.8	42.4	205.2	46.8	207.2	52.6	208.7	59.7	210.2	71.0	211.2	84.3	211.9	92.8
	6	193.0	50.5	198.6	55.0	201.8	59.3	204.5	65.1	206.6	72.3	208.6	83.5	210.0	96.8	211.0	105.3
	8	187.7	63.1	194.7	67.5	198.7	71.9	202.1	77.7	204.7	84.8	207.2	96.1	208.8	109.4	210.1	117.9
	10	182.8	75.6	191.1	80.1	195.8	84.4	199.8	90.2	202.9	97.4	205.8	108.7	207.8	121.9	209.2	130.4
	12	178.2	88.2	187.6	92.7	193.0	97.0	197.6	102.8	201.1	109.9	204.5	121.2	206.8	134.5	208.4	143.0
	14			184.3	105.2	190.4	109.5	195.5	115.3	199.5	122.5	203.2	133.8	205.8	147.0	207.6	155.5
	16					187.8	122.1	193.5	127.9	197.9	135.0	202.0	146.3	204.9	159.6	206.9	168.1
	18							191.5	140.5	196.3	147.6	200.8	158.9	203.9	172.2	206.2	180.6
	20									194.8	160.1	199.7	171.4	203.1	184.7	205.5	193.2
4200-96	2	292.3	31.8	296.8	36.6	299.4	41.2	301.6	47.4	303.2	55.0	304.8	67.0	305.9	81.2	306.7	90.3
	4	280.4	49.9	288.0	54.7	292.3	59.3	296.0	65.5	298.8	73.1	301.5	85.1	303.3	99.3	304.7	108.4
	6	270.0	68.0	280.3	72.8	286.2	77.4	291.1	83.6	295.0	91.2	298.6	103.3	301.1	117.4	302.9	126.5
	8	260.5	86.1	273.2	90.9	280.5	95.5	286.7	101.7	291.4	109.3	295.9	121.4	299.0	135.5	301.2	144.6
	10			266.6	109.0	275.2	113.6	282.5	119.8	288.1	127.4	293.4	139.5	297.1	153.6	299.7	162.7
	12					270.1	131.7	278.5	137.9	284.9	145.6	291.0	157.6	295.2	171.7	298.2	180.8
	14									281.9	163.7	288.7	175.7	293.4	189.9	296.8	198.9
	16									279.0	181.8	286.5	193.8	291.7	208.0	295.4	217.0
4200-128	2	385.3	39.2	392.5	44.5	396.6	49.5	400.2	56.4	402.9	64.7	405.4	78.0	407.2	93.5	408.4	103.5
	4	366.2	63.4	378.4	68.6	385.3	73.7	391.2	80.5	395.8	88.9	400.1	102.1	403.0	117.7	405.1	127.7
	6	349.5	87.6	366.0	92.8	375.4	97.9	383.4	104.7	389.6	113.1	395.4	126.3	399.4	141.9	402.3	151.8
	8			354.6	117.0	366.3	122.0	376.2	128.9	383.9	137.2	391.1	150.5	396.1	166.0	399.6	176.0
	10							369.5	153.0	378.5	161.4	387.1	174.6	392.9	190.2	397.1	200.2



2 H SERIES

7000 PERFORMANCE @ 50Hz

U.S. STANDARD

Speed n=1450 rpm

Specification	Pressure ΔP PSI	Viscosity (mm ² /s) (cSt)															
		1		15		35		75		150		350		750		1500	
		Capacity GPM	Power HP	Capacity GPM	Power HP	Capacity GPM	Power HP	Capacity GPM	Power HP	Capacity GPM	Power HP	Capacity GPM	Power HP	Capacity GPM	Power HP	Capacity GPM	Power HP
7000-40	29.0	1113	41.8	1126	49.3	1133	56.6	1139	66.2	1143	78.0	1148	97.0	1151	119	1153	133
	58.0	1080	62.4	1102	69.9	1113	77.0	1124	86.6	1132	98.6	1139	117	1144	139	1147	154
	87.0	1052	82.9	1080	90.2	1096	97.5	1110	107	1121	119	1131	138	1138	160	1143	174
	116.0	1025	103	1061	111	1081	118	1098	128	1111	139	1124	158	1132	180	1138	195
	145.0	1001	124	1042	131	1066	138	1086	148	1102	160	1117	179	1127	201	1134	215
	174.0	977	144	1025	152	1052	159	1075	169	1093	180	1110	199	1121	221	1130	235
	203.1	955	165	1008	172	1039	179	1065	189	1084	201	1103	220	1117	242	1126	256
	232.1	933	185	992	193	1026	200	1054	209	1076	221	1098	240	1112	262	1122	277
	261.1			976	213	1013	220	1044	230	1069	242	1091	261	1107	283	1118	297
	290.1					1001	241	1035	250	1061	262	1086	281	1103	303	1115	317
	319.1									1054	283	1080	302	1098	324	1111	338
348.1									1046	303	1075	322	1094	344	1108	358	
7000-50	29.0	1390	52.7	1406	62.1	1416	71.2	1423	83.4	1429	98.4	1434	122	1438	150	1441	168
	58.0	1348	78.2	1375	87.7	1390	96.8	1404	109	1413	124	1423	148	1430	176	1434	194
	87.0	1312	104	1348	113	1368	122	1386	135	1400	150	1412	173	1421	201	1428	219
	116.0	1278	129	1323	139	1349	148	1370	160	1387	175	1403	199	1414	227	1422	245
	145.0	1246	155	1299	164	1330	174	1356	186	1375	201	1394	225	1407	253	1416	270
	174.0	1216	181	1277	190	1312	199	1342	211	1364	226	1386	250	1401	278	1411	296
	203.1	1187	206	1255	216	1294	225	1328	237	1353	252	1378	276	1394	304	1406	322
	232.1	1159	232	1235	241	1278	250	1315	263	1343	278	1370	301	1388	329	1401	347
	261.1			1215	267	1262	276	1302	288	1333	303	1362	327	1382	355	1397	373
	290.1					1246	301	1290	314	1323	329	1355	353	1377	380	1392	398
	319.1									1314	354	1348	378	1371	406	1388	424
348.1									1305	380	1341	404	1366	432	1383	450	
7000-67	29.0	1876	64.5	1894	75.1	1904	85.3	1913	99.0	1920	116	1926	142	1931	174	1934	194
	58.0	1829	98.8	1859	109	1876	120	1891	133	1902	150	1913	177	1920	208	1925	228
	87.0	1788	133	1828	144	1852	154	1872	168	1887	184	1901	211	1911	242	1918	262
	116.0	1750	167	1800	178	1829	188	1854	202	1873	219	1891	245	1903	277	1912	297
	145.0	1714	202	1774	212	1808	222	1837	236	1859	253	1881	280	1895	311	1906	331
	174.0	1680	236	1749	247	1788	257	1821	270	1847	287	1871	314	1888	345	1900	365
	203.1	1647	270	1725	281	1769	291	1806	305	1835	322	1862	348	1881	380	1894	399
	232.1			1701	315	1750	325	1791	339	1823	356	1853	382	1874	414	1889	434
	261.1					1732	360	1777	373	1812	390	1845	417	1867	448	1884	468
	290.1									1801	424	1836	451	1861	482	1878	502
	319.1									1790	459	1828	485	1854	517	1873	537
348.1											1821	520	1849	551	1869	571	

Blackmer reserves the right to change the data in the table without prior notice.

7000 PERFORMANCE @ 50Hz (CON'T)

U.S. STANDARD

Speed n=1450 rpm

Specification	Pressure ΔP PSI	Viscosity (mm ² /s) (cSt)															
		1		15		35		75		150		350		750		1500	
		Capacity GPM	Power HP	Capacity GPM	Power HP	Capacity GPM	Power HP	Capacity GPM	Power HP	Capacity GPM	Power HP	Capacity GPM	Power HP	Capacity GPM	Power HP	Capacity GPM	Power HP
7000-96	29.0	2742	86.2	2768	98.8	2783	111	2796	127	2806	147	2816	179	2822	216	2827	240
	58.0	2672	136	2717	149	2743	161	2764	177	2780	197	2796	229	2807	266	2815	290
	87.0	2612	186	2672	199	2706	211	2735	227	2758	248	2779	279	2794	316	2804	340
	116.0	2555	237	2630	249	2673	261	2709	278	2737	298	2763	329	2782	367	2794	390
	145.0	2503	287	2591	299	2642	311	2684	328	2717	348	2749	380	2770	417	2785	441
	174.0			2554	349	2612	362	2661	378	2699	398	2735	430	2759	467	2777	491
	203.1					2584	412	2639	428	2681	448	2721	480	2749	517	2768	541
	232.1							2617	478	2664	498	2708	530	2739	567	2761	591
7000-128	29.0	3666	111	3698	127	3717	142	3733	162	3745	186	3757	225	3765	271	3771	301
	58.0	3579	178	3634	194	3666	209	3693	229	3713	253	3733	292	3746	338	3756	368
	87.0	3503	245	3578	260	3621	275	3657	295	3685	320	3712	359	3730	405	3743	434
	116.0			3526	327	3579	342	3624	362	3659	387	3692	426	3715	472	3730	501
	145.0					3541	409	3594	429	3635	454	3674	493	3701	539	3719	568
	174.0									3612	521	3656	560	3687	606	3708	635
7000-144	29.0	4095	123	4140	139	4165	155	4186	176	4203	203	4218	244	4229	293	4237	325
	58.0	3978	198	4053	214	4095	230	4132	252	4159	278	4186	320	4204	369	4217	400
	87.0	3876	273	3977	290	4035	305	4084	327	4121	353	4157	395	4182	444	4199	475
	116.0							4040	402	4087	428	4131	470	4161	519	4183	550
	145.0									4054	504	4106	545	4142	594	4168	625

Speed n=1450 rpm

METRIC

Specification	Pressure ΔP bar	Viscosity (mm ² /s) (cSt)																
		1		15		35		75		150		350		750		1500		
		Capacity m ³ /h	Power kW	Capacity m ³ /h	Power kW	Capacity m ³ /h	Power kW	Capacity m ³ /h	Power kW	Capacity m ³ /h	Power kW	Capacity m ³ /h	Power kW	Capacity m ³ /h	Power kW	Capacity m ³ /h	Power kW	
7000-40	2	252.9	31.2	255.7	36.8	257.3	42.2	258.7	49.4	259.7	58.2	260.7	72.3	261.4	88.7	261.9	99.3	
	4	245.4	46.5	250.2	52.1	252.9	57.4	255.2	64.6	257.0	73.5	258.7	87.5	259.8	104.0	260.6	114.6	
	6	238.9	61.8	245.3	67.3	249.0	72.7	252.2	79.9	254.6	88.8	256.8	102.8	258.4	119.3	259.5	129.8	
	8	232.9	77.0	240.9	82.6	245.5	88.0	249.3	95.2	252.3	104.0	255.2	118.1	257.1	134.5	258.5	145.1	
	10	227.3	92.3	236.7	97.9	242.1	103.2	246.7	110.4	250.2	119.3	253.6	133.3	255.9	149.8	257.5	160.4	
	12	221.9	107.6	232.7	113.1	238.9	118.5	244.2	125.7	248.3	134.6	252.1	148.6	254.7	165.1	256.6	175.6	
	14	216.8	122.8	228.9	128.4	235.9	133.8	241.8	141.0	246.3	149.8	250.6	163.9	253.6	180.3	255.7	190.9	
	16	211.8	138.1	225.3	143.7	233.0	149.0	239.5	156.2	244.5	165.1	249.3	179.1	252.5	195.6	254.8	206.2	
	18			221.7	158.9	230.1	164.3	237.2	171.5	242.7	180.4	247.9	194.4	251.5	210.9	254.0	221.4	
	20					227.3	179.6	235.1	186.8	241.0	195.6	246.6	209.7	250.5	226.1	253.2	236.7	
	22										239.3	210.9	245.3	224.9	249.5	241.4	252.4	252.0
	24										237.6	226.2	244.1	240.2	248.5	256.7	251.7	267.2
7000-50	2	315.8	39.3	319.4	46.3	321.5	53.1	323.2	62.2	324.6	73.4	325.8	91.1	326.7	112.0	327.3	125.3	
	4	306.2	58.3	312.3	65.4	315.8	72.2	318.8	81.3	321.0	92.5	323.2	110.2	324.7	131.1	325.7	144.4	
	6	297.9	77.4	306.1	84.5	310.8	91.2	314.8	100.4	317.9	111.6	320.8	129.3	322.8	150.1	324.3	163.5	
	8	290.2	96.5	300.4	103.5	306.3	110.3	311.2	119.4	315.1	130.7	318.7	148.4	321.2	169.2	322.9	182.6	
	10	283.0	115.6	295.1	122.6	302.0	129.4	307.9	138.5	312.4	149.7	316.7	167.5	319.6	188.3	321.7	201.6	
	12	276.1	134.7	290.0	141.7	297.9	148.5	304.7	157.6	309.8	168.8	314.7	186.5	318.1	207.4	320.5	220.7	
	14	269.5	153.8	285.1	160.8	294.0	167.6	301.6	176.7	307.4	187.9	312.9	205.6	316.7	226.5	319.4	239.8	
	16	263.2	172.8	280.4	179.9	290.3	186.7	298.6	195.8	305.1	207.0	311.1	224.7	315.3	245.6	318.3	258.9	
	18			275.9	199.0	286.6	205.7	295.8	214.9	302.8	226.1	309.4	243.8	314.0	264.6	317.2	278.0	
	20					283.1	224.8	293.0	233.9	300.5	245.2	307.7	262.9	312.7	283.7	316.2	297.1	
	22										298.4	264.2	306.1	282.0	311.4	302.8	315.2	316.1
	24										296.3	283.3	304.5	301.0	310.2	321.9	314.2	335.2
7000-67	2	426.1	48.1	430.2	56.0	432.5	63.6	434.5	73.8	436.0	86.4	437.5	106.2	438.5	129.5	439.2	144.5	
	4	415.4	73.7	422.3	81.6	426.2	89.2	429.5	99.4	432.1	111.9	434.5	131.8	436.1	155.1	437.3	170.1	
	6	406.0	99.3	415.3	107.2	420.6	114.8	425.1	125.0	428.6	137.5	431.8	157.4	434.1	180.7	435.7	195.6	
	8	397.4	124.9	408.9	132.7	415.5	140.3	421.1	150.6	425.4	163.1	429.4	182.9	432.2	206.3	434.2	221.2	
	10	389.3	150.4	402.9	158.3	410.7	165.9	417.3	176.1	422.3	188.7	427.2	208.5	430.5	231.8	432.8	246.8	
	12	381.5	176.0	397.2	183.9	406.1	191.5	413.7	201.7	419.5	214.2	425.0	234.1	428.8	257.4	431.5	272.3	
	14	374.1	201.6	391.7	209.5	401.7	217.1	410.2	227.3	416.7	239.8	422.9	259.7	427.2	283.0	430.2	297.9	
	16			386.4	235.0	397.5	242.6	406.9	252.8	414.1	265.4	420.9	285.2	425.6	308.6	429.0	323.5	
	18					393.4	268.2	403.6	278.4	411.5	291.0	419.0	310.8	424.1	334.1	427.8	349.1	
	20										409.0	316.5	417.1	336.4	422.7	359.7	426.6	374.6
	22										406.6	342.1	415.3	361.9	421.2	385.3	425.5	400.2
	24												413.5	387.5	419.9	410.8	424.4	425.8

Speed n=1450 rpm

METRIC

Specification	Pressure ΔP bar	Viscosity (mm ² /s) (cSt)															
		1		15		35		75		150		350		750		1500	
		Capacity m ³ /h	Power kW	Capacity m ³ /h	Power kW	Capacity m ³ /h	Power kW	Capacity m ³ /h	Power kW	Capacity m ³ /h	Power kW	Capacity m ³ /h	Power kW	Capacity m ³ /h	Power kW	Capacity m ³ /h	Power kW
7000-96	2	622.8	64.3	628.8	73.7	632.2	82.7	635.1	94.9	637.4	109.8	639.5	133.4	641.0	161.2	642.0	179.0
	4	607.0	101.7	617.1	111.0	622.9	120.1	627.8	132.3	631.5	147.2	635.1	170.8	637.5	198.6	639.3	216.4
	6	593.2	139.0	606.8	148.4	614.6	157.5	621.3	169.6	626.4	184.6	631.2	208.2	634.5	236.0	636.9	253.8
	8	580.4	176.4	597.4	185.8	607.1	194.9	615.3	207.0	621.6	222.0	627.6	245.6	631.8	273.4	634.7	291.2
	10	568.5	213.8	588.5	223.2	600.0	232.2	609.7	244.4	617.2	259.3	624.3	283.0	629.2	310.8	632.6	328.6
	12			580.1	260.6	593.3	269.6	604.4	281.8	613.0	296.7	621.1	320.4	626.7	348.1	630.7	365.9
	14					586.8	307.0	599.3	319.2	609.0	334.1	618.1	357.7	624.3	385.5	628.8	403.3
	16							594.4	356.6	605.1	371.5	615.1	395.1	622.1	422.9	627.0	440.7
7000-128	2	832.6	83.0	840.0	94.5	844.3	105.7	847.9	120.6	850.7	139.0	853.3	168.1	855.1	202.3	856.4	224.3
	4	812.9	132.8	825.4	144.4	832.6	155.5	838.7	170.5	843.4	188.9	847.8	218.0	850.9	252.2	853.0	274.1
	6	795.6	182.7	812.6	194.2	822.4	205.4	830.6	220.3	837.0	238.7	843.0	267.8	847.1	302.0	850.1	324.0
	8			800.9	244.1	813.0	255.2	823.2	270.2	831.1	288.6	838.6	317.7	843.7	351.9	847.3	373.8
	10					804.2	305.1	816.3	320.0	825.6	338.4	834.4	367.5	840.5	401.7	844.8	423.7
	12									820.3	388.3	830.4	417.4	837.4	451.6	842.3	473.5
7000-144	2	930.1	91.4	940.2	103.7	945.9	115.6	950.8	131.6	954.6	151.2	958.1	182.2	960.6	218.7	962.3	242.1
	4	903.6	147.5	920.5	159.8	930.2	171.7	938.4	187.7	944.7	207.3	950.7	238.3	954.8	274.8	957.7	298.2
	6	880.3	203.6	903.3	215.9	916.4	227.8	927.5	243.7	936.1	263.4	944.2	294.4	949.8	330.9	953.7	354.3
	8							917.5	299.8	928.2	319.4	938.2	350.5	945.1	387.0	950.1	410.3
	10									920.7	375.5	932.6	406.6	940.8	443.1	946.6	466.4

9800 PERFORMANCE @ 50Hz

Speed n=1450 rpm

METRIC

Specification	Pressure ΔP bar	Viscosity (mm ² /s) (cSt)															
		1		15		35		75		150		350		750		1500	
		Capacity m ³ /h	Power kW	Capacity m ³ /h	Power kW	Capacity m ³ /h	Power kW	Capacity m ³ /h	Power kW	Capacity m ³ /h	Power kW	Capacity m ³ /h	Power kW	Capacity m ³ /h	Power kW	Capacity m ³ /h	Power kW
9800-60	2	398.6	45.1	404.1	52.5	407.3	59.6	410.0	69.1	412.1	80.8	414.0	99.3	415.4	121.1	416.3	135.0
	4	384.0	69.2	393.3	76.5	398.6	83.6	403.2	93.2	406.6	104.9	409.9	123.4	412.2	145.2	413.8	159.1
	6	371.2	93.2	383.8	100.6	391.0	107.7	397.2	117.2	401.9	128.9	406.3	147.4	409.4	169.2	411.6	183.2
	8	359.4	117.3	375.1	124.6	384.1	131.7	391.7	141.3	397.5	153.0	403.0	171.5	406.9	193.3	409.6	207.2
	10	348.4	141.3	366.9	148.7	377.5	155.8	386.5	165.3	393.4	177.0	400.0	195.6	404.5	217.3	407.7	231.3
	12	337.9	165.4	359.1	172.8	371.3	179.8	381.6	189.4	389.5	201.1	397.0	219.6	402.2	241.4	405.9	255.3
	14	327.8	189.5	351.7	196.8	365.3	203.9	376.9	213.4	385.8	225.1	394.2	243.7	400.0	265.4	404.1	279.4
	16	318.1	213.5	344.5	220.9	359.5	228.0	372.3	237.5	382.2	249.2	391.5	267.7	397.9	289.5	402.4	303.4
	18			337.5	244.9	354.0	252.0	367.9	261.5	378.7	273.3	388.8	291.8	395.8	313.5	400.8	327.5
	20					348.5	276.1	363.7	285.6	375.3	297.3	386.3	315.8	393.9	337.6	399.2	351.5
	22							359.5	309.7	372.0	321.4	383.8	339.9	391.9	361.7	397.7	375.6
24							355.4	333.7	368.7	345.4	381.3	363.9	390.0	385.7	396.2	399.7	
9800-80	2	534.4	55.7	541.0	63.9	544.8	71.8	548.0	82.5	550.5	95.6	552.8	116.3	554.4	140.7	555.6	156.3
	4	517.0	87.7	528.1	96.0	534.5	103.9	539.9	114.6	544.0	127.7	547.9	148.4	550.6	172.7	552.6	188.3
	6	501.7	119.8	516.8	128.0	525.4	136.0	532.7	146.6	538.3	159.7	543.7	180.5	547.3	204.8	549.9	220.4
	8	487.6	151.9	506.3	160.1	517.1	168.0	526.1	178.7	533.1	191.8	539.7	212.5	544.3	236.9	547.5	252.5
	10	474.5	183.9	496.6	192.2	509.2	200.1	520.0	210.8	528.2	223.9	536.0	244.6	541.4	269.0	545.2	284.6
	12			487.3	224.2	501.8	232.2	514.1	242.8	523.6	255.9	532.5	276.7	538.7	301.0	543.1	316.6
	14			478.4	256.3	494.7	264.2	508.5	274.9	519.1	288.0	529.2	308.7	536.1	333.1	541.0	348.7
	16					487.8	296.3	503.1	307.0	514.8	320.1	525.9	340.8	533.6	365.2	539.0	380.8
	18							497.8	339.1	510.6	352.2	522.8	372.9	531.1	397.2	537.1	412.8
	20									506.6	384.2	519.7	405.0	528.8	429.3	535.2	444.9
	22									502.6	416.3	516.7	437.0	526.4	461.4	533.4	477.0
24									498.8	448.4	513.8	469.1	524.2	493.5	531.6	509.1	
9800-120	2	798.0	79.2	808.9	90.1	815.1	100.5	820.4	114.6	824.4	131.9	828.3	159.2	830.9	191.4	832.8	211.9
	4	769.4	127.3	787.7	138.2	798.1	148.6	807.0	162.7	813.8	180.0	820.3	207.3	824.7	239.5	827.9	260.1
	6	744.3	175.4	769.1	186.3	783.2	196.8	795.3	210.8	804.5	228.1	813.2	255.5	819.2	287.6	823.5	308.2
	8	721.3	223.5	752.0	234.4	769.6	244.9	784.5	258.9	795.9	276.2	806.8	303.6	814.2	335.7	819.6	356.3
	10			736.0	282.5	756.7	293.0	774.4	307.0	787.9	324.3	800.7	351.7	809.5	383.8	815.8	404.4
	12					744.5	341.1	764.7	355.2	780.3	372.4	795.0	399.8	805.1	431.9	812.3	452.5
	14							755.5	403.3	773.0	420.6	789.5	447.9	800.8	480.0	808.9	500.6
	16							746.6	451.4	765.9	468.7	784.1	496.0	796.7	528.1	805.6	548.7
9800-144	2	1009.3	98.6	1021.5	111.9	1028.5	124.8	1034.4	142.0	1039.0	163.2	1043.3	196.7	1046.3	236.1	1048.4	261.3
	4	977.1	159.1	997.7	172.5	1009.4	185.3	1019.4	202.5	1027.0	223.7	1034.3	257.2	1039.3	296.6	1042.8	321.9
	6	948.9	219.7	976.7	233.0	992.7	245.8	1006.2	263.0	1016.6	284.2	1026.4	317.7	1033.2	357.1	1038.0	382.4
	8			957.5	293.5	977.3	306.3	994.0	323.6	1006.9	344.7	1019.1	378.3	1027.5	417.6	1033.5	442.9
	10					962.8	366.8	982.7	384.1	997.9	405.2	1012.3	438.8	1022.2	478.2	1029.3	503.4
	12							971.8	444.6	989.3	465.8	1005.9	499.3	1017.2	538.7	1025.3	563.9
9800-170	2	1197.9	113.1	1210.7	127.6	1218.0	141.6	1224.2	160.5	1229.0	183.6	1233.5	220.2	1236.6	263.2	1238.8	290.8
	4	1164.2	184.5	1185.7	199.0	1198.0	213.1	1208.5	231.9	1216.5	255.0	1224.1	291.6	1229.3	334.7	1233.0	362.2
	6	1134.7	256.0	1163.8	270.5	1180.5	284.5	1194.6	303.3	1205.5	326.5	1215.8	363.1	1222.9	406.1	1227.9	433.6
	8			1143.7	341.9	1164.4	355.9	1182.0	374.8	1195.4	397.9	1208.2	434.5	1217.0	477.5	1223.2	505.1
	10							1170.0	446.2	1186.0	469.3	1201.1	505.9	1211.5	549.0	1218.9	576.5

Blackmer reserves the right to change the data in the table without prior notice.



2 H SERIES

18000 PERFORMANCE @ 50Hz

U.S. STANDARD

Speed n=1450 rpm

Specification	Pressure ΔP PSI	Viscosity (mm ² /s) (cSt)															
		1		15		35		75		150		350		750		1500	
		Capacity GPM	Power HP	Capacity GPM	Power HP	Capacity GPM	Power HP	Capacity GPM	Power HP	Capacity GPM	Power HP	Capacity GPM	Power HP	Capacity GPM	Power HP	Capacity GPM	Power HP
18000-67	29.0	2654	123	2674	149	2685	174	2695	208	2702	250	2709	316	2714	393	2717	443
	58.0	2602	170	2636	197	2654	222	2671	256	2683	297	2695	364	2703	441	2709	491
	87.0	2556	218	2602	244	2627	269	2649	303	2666	345	2682	411	2693	489	2701	538
	116.0	2514	266	2570	292	2602	317	2630	351	2650	393	2670	459	2684	536	2694	586
	145.0	2475	313	2541	339	2579	365	2611	399	2636	440	2659	506	2675	584	2687	634
	174.0	2438	361	2514	387	2557	412	2594	446	2622	488	2649	554	2667	632	2680	681
	203.1	2402	408	2487	435	2536	460	2577	494	2609	536	2639	602	2659	679	2674	729
	232.1	2367	456	2461	482	2515	508	2561	542	2596	583	2629	649	2652	727	2668	777
	261.1					2495	555	2545	589	2583	631	2620	697	2644	775	2662	824
	290.1							2530	637	2571	679	2610	745	2637	822	2657	872
	319.1									2559	726	2602	792	2631	870	2651	920
	348.1									2548	774	2593	840	2624	917	2646	967
18000-90	29.0	3604	154	3625	185	3638	215	3648	256	3656	305	3664	384	3669	476	3673	536
	58.0	3547	218	3583	249	3604	279	3622	320	3635	370	3648	448	3657	541	3663	600
	87.0	3498	282	3547	314	3575	344	3598	384	3617	434	3634	513	3646	605	3654	664
	116.0	3452	347	3513	378	3548	408	3577	449	3600	498	3621	577	3636	669	3646	729
	145.0	3410	411	3481	442	3522	472	3557	513	3584	563	3609	641	3627	734	3639	793
	174.0	3369	475	3451	507	3498	537	3538	577	3569	627	3598	706	3618	798	3632	857
	203.1			3422	571	3475	601	3520	642	3554	691	3587	770	3609	862	3625	922
	232.1			3394	635	3453	665	3502	706	3540	756	3576	834	3601	927	3619	986
	261.1							3485	770	3527	820	3566	898	3593	991	3612	1050
	290.1							3469	834	3514	884	3556	963	3586	1055	3606	1115
	319.1									3501	948	3546	1027	3578	1120	3601	1179
	348.1									3488	1013	3537	1091	3571	1184	3595	1243
18000-135	29.0	5386	204	5423	241	5445	277	5463	326	5477	386	5490	480	5499	591	5506	662
	58.0	5287	300	5350	338	5386	374	5417	423	5440	482	5463	576	5478	688	5489	758
	87.0	5201	397	5286	434	5335	470	5376	519	5408	579	5438	673	5459	784	5474	855
	116.0	5121	493	5227	531	5288	567	5339	615	5378	675	5416	769	5442	880	5460	951
	145.0	5046	590	5172	627	5243	663	5304	712	5351	772	5395	866	5426	977	5447	1048
	174.0			5119	724	5201	760	5271	808	5325	868	5375	962	5410	1073	5435	1144
	203.1							5239	905	5299	965	5356	1059	5395	1170	5423	1241
	232.1									5275	1061	5338	1155	5381	1266	5412	1337
18000-150	29.0	6160	221	6216	259	6248	296	6275	346	6296	407	6316	503	6329	617	6339	690
	58.0	6012	332	6107	371	6160	408	6206	457	6241	518	6274	615	6297	728	6314	801
	87.0	5883	443	6011	482	6084	519	6146	568	6193	629	6238	726	6269	839	6291	912
	116.0	5765	555	5923	593	6013	630	6090	680	6149	741	6205	837	6244	951	6271	1023
	145.0					5947	741	6038	791	6108	852	6174	948	6219	1062	6252	1134
	174.0									6068	963	6144	1060	6196	1173	6233	1246
18000-170	29.0	6999	249	7057	292	7090	334	7118	389	7139	458	7159	566	7173	693	7184	774
	58.0	6848	375	6945	418	7000	459	7047	515	7083	584	7117	692	7140	819	7157	900
	87.0	6715	501	6846	544	6921	585	6985	641	7033	710	7080	818	7112	945	7134	1026
	116.0							6927	767	6988	836	7046	944	7085	1071	7113	1152
	145.0									6945	961	7014	1070	7060	1197	7093	1278
18000-192	29.0	7933	268	7992	312	8026	354	8054	410	8076	480	8097	590	8111	720	8122	803
	58.0	7778	410	7877	454	7933	496	7981	553	8018	622	8054	733	8078	862	8095	945
	87.0	7641	552	7776	596	7853	638	7918	695	7968	765	8015	875	8048	1005	8071	1088
	116.0							7859	838	7922	907	7981	1017	8021	1147	8050	1230
	145.0									7878	1050	7947	1160	7995	1289	8029	1372

Blackmer reserves the right to change the data in the table without prior notice.



2 H SERIES

36000 PERFORMANCE @ 50Hz

U.S. STANDARD

Speed n=1450 rpm

Specification	Pressure ΔP PSI	Viscosity (mm ² /s) (cSt)															
		1		15		35		75		150		350		750		1500	
		Capacity GPM	Power HP	Capacity GPM	Power HP	Capacity GPM	Power HP	Capacity GPM	Power HP	Capacity GPM	Power HP	Capacity GPM	Power HP	Capacity GPM	Power HP	Capacity GPM	Power HP
36000-75	29.0	4672	217	4695	263	4708	308	4719	368	4727	443	4736	560	4741	698	4745	786
	58.0	4612	300	4651	346	4672	391	4691	451	4705	526	4719	643	4728	781	4735	869
	87.0	4560	383	4611	429	4641	474	4667	534	4686	609	4704	726	4717	864	4726	952
	116.0	4511	466	4576	512	4612	557	4644	618	4668	692	4690	809	4706	947	4717	1035
	145.0	4466	549	4542	595	4586	640	4622	701	4651	775	4678	892	4696	1030	4709	1118
	174.0	4423	632	4510	678	4560	723	4602	784	4635	858	4666	975	4687	1113	4702	1201
	203.1	4382	715	4479	761	4535	806	4583	867	4619	941	4654	1058	4678	1196	4695	1284
	232.1	4342	798	4450	844	4512	889	4564	950	4605	1024	4643	1141	4669	1279	4688	1367
	261.1			4421	927	4489	972	4546	1033	4590	1107	4632	1224	4661	1362	4681	1450
	290.1					4467	1055	4529	1116	4576	1190	4622	1307	4653	1445	4675	1533
	319.1								1199	4563	1273	4611	1390	4645	1528	4669	1616
348.1								1282	4549	1356	4601	1473	4637	1611	4663	1699	
36000-100	29.0	6187	268	6229	323	6252	376	6272	447	6288	534	6302	672	6312	835	6320	939
	58.0	6078	379	6148	433	6188	486	6221	557	6247	645	6272	783	6289	945	6301	1049
	87.0	5983	489	6077	544	6131	597	6177	668	6212	755	6245	894	6268	1056	6284	1160
	116.0	5894	600	6012	655	6079	708	6135	779	6179	866	6220	1004	6249	1167	6269	1271
	145.0	5812	711	5951	766	6030	818	6097	890	6149	977	6197	1115	6231	1277	6255	1381
	174.0	5734	821	5893	876	5983	929	6060	1000	6119	1088	6175	1226	6214	1388	6241	1492
	203.1			5837	987	5938	1040	6025	1111	6092	1198	6154	1336	6198	1499	6229	1603
	232.1			5783	1098	5896	1151	5991	1222	6064	1309	6134	1447	6182	1610	6216	1714
	261.1					5854	1261	5958	1332	6038	1420	6115	1558	6167	1720	6204	1824
	290.1							5926	1443	6013	1530	6095	1669	6152	1831	6192	1935
	319.1									5988	1641	6077	1779	6138	1942	6181	2046
348.1									5964	1752	6058	1890	6123	2052	6169	2156	
36000-150	29.0	9407	387	9483	463	9526	536	9563	635	9591	756	9618	947	9637	1172	9650	1316
	58.0	9206	556	9334	632	9407	705	9469	804	9517	925	9562	1116	9593	1341	9615	1485
	87.0	9031	725	9204	801	9303	875	9387	973	9452	1094	9513	1285	9555	1510	9585	1654
	116.0	8869	895	9084	970	9207	1044	9311	1142	9392	1263	9468	1455	9520	1680	9557	1824
	145.0	8718	1064	8972	1140	9117	1213	9241	1311	9336	1432	9426	1624	9487	1849	9531	1993
	174.0	8574	1233	8865	1309	9032	1382	9173	1481	9282	1602	9385	1793	9456	2018	9507	2162
	203.1	8435	1402	8763	1478	8950	1551	9109	1650	9231	1771	9346	1962	9426	2187	9482	2331
	232.1	8302	1571	8664	1647	8871	1721	9046	1819	9181	1940	9309	2132	9397	2356	9459	2500
36000-170	29.0	10904	413	10979	489	11023	562	11060	661	11088	782	11115	973	11133	1198	11147	1342
	58.0	10703	608	10831	684	10904	758	10966	856	11014	977	11059	1168	11090	1393	11112	1537
	87.0	10527	804	10701	880	10800	953	10884	1051	10948	1172	11010	1364	11052	1589	11082	1733
	116.0	10366	999	10581	1075	10704	1148	10808	1247	10889	1368	10965	1559	11017	1784	11054	1928
	145.0			10469	1270	10614	1344	10738	1442	10833	1563	10922	1754	10984	1979	11028	2123
	174.0					10529	1539	10670	1637	10779	1758	10882	1950	10953	2175	11003	2319
36000-210	29.0	13538	459	13614	535	13657	608	13694	707	13723	828	13750	1019	13768	1244	13781	1388
	58.0	13337	700	13466	776	13539	850	13601	948	13648	1069	13694	1260	13725	1485	13747	1629
	87.0	13162	942	13335	1018	13434	1091	13518	1189	13583	1310	13644	1502	13687	1727	13716	1871
	116.0			13215	1259	13339	1332	13443	1431	13523	1552	13599	1743	13651	1968	13689	2112
	145.0					13249	1573	13372	1672	13467	1793	13557	1984	13619	2209	13663	2353

Blackmer reserves the right to change the data in the table without prior notice.



CAVITATION REDUNDANCY TABLE

U.S. STANDARD

Specification	Speed = 1150 rpm						Speed = 1750 rpm					
	Viscosity mm ² /s (cSt)						Viscosity mm ² /s (cSt)					
	≤35	75	150	350	750	1500	≤35	75	150	350	750	1500
	NPSHr (Ft)											
160-20	6.2	6.2	6.2	6.2	6.2	6.6	6.9	7.2	7.2	7.2	7.5	7.5
160-27	6.2	6.2	6.2	6.6	6.6	6.9	7.2	7.5	7.5	7.5	7.9	8.2
160-40	6.6	6.9	6.9	6.9	7.2	7.5	8.2	8.2	8.5	8.9	9.2	9.8
160-56	7.2	7.5	7.5	7.9	8.2	8.9	9.5	9.5	9.8	10.5	11.2	12.1
260-25	6.2	6.2	6.2	6.6	6.6	6.6	7.2	7.2	7.5	7.5	7.9	8.2
260-34	6.6	6.6	6.6	6.9	6.9	7.2	7.5	7.9	7.9	8.2	8.5	8.9
260-50	6.9	7.2	7.2	7.5	7.9	8.2	8.9	9.2	9.5	9.8	10.5	11.2
260-72	7.9	8.2	8.5	8.9	9.5	10.2	10.8	11.5	11.8	12.8	13.8	15.1
360-30	6.2	6.6	6.6	6.6	6.9	6.9	7.5	7.5	7.9	7.9	8.2	8.5
360-40	6.6	6.9	6.9	6.9	7.2	7.5	8.2	8.2	8.5	8.9	9.2	9.8
360-60	7.5	7.5	7.9	8.2	8.5	9.2	9.8	10.2	10.5	11.2	11.8	12.8
360-80	8.5	8.5	8.9	9.5	10.2	10.8	11.8	12.5	12.8	13.8	15.1	16.7
150-10	5.9	5.9	5.9	5.9	5.9	6.2	6.6	6.6	6.9	6.9	6.9	6.9
150-16	5.9	6.2	6.2	6.2	6.2	6.2	6.9	6.9	6.9	6.9	7.2	7.2
150-20	6.2	6.2	6.2	6.2	6.2	6.6	6.9	7.2	7.2	7.2	7.5	7.5
150-30	6.2	6.6	6.6	6.6	6.9	6.9	7.5	7.5	7.9	7.9	8.2	8.5
280-20	6.2	6.2	6.2	6.2	6.2	6.6	6.9	7.2	7.2	7.2	7.5	7.5
280-27	6.2	6.2	6.2	6.6	6.6	6.9	7.2	7.5	7.5	7.5	7.9	8.2
280-40	6.6	6.9	6.9	6.9	7.2	7.5	8.2	8.2	8.5	8.9	9.2	9.8
280-56	7.2	7.5	7.5	7.9	8.2	8.9	9.5	9.5	9.8	10.5	11.2	12.1
560-25	6.2	6.2	6.2	6.6	6.6	6.6	7.2	7.2	7.5	7.5	7.9	8.2
560-34	6.6	6.6	6.6	6.9	6.9	7.2	7.5	7.9	7.9	8.2	8.5	8.9
560-50	6.9	7.2	7.2	7.5	7.9	8.2	8.9	9.2	9.5	9.8	10.5	11.2
560-72	7.9	8.2	8.5	8.9	9.5	10.2	10.8	11.5	11.8	12.8	13.8	15.1
800-30	6.2	6.6	6.6	6.6	6.9	6.9	7.5	7.5	7.9	7.9	8.2	8.5
800-40	6.6	6.9	6.9	6.9	7.2	7.5	8.2	8.2	8.5	8.9	9.2	9.8
800-60	7.5	7.5	7.9	8.2	8.5	9.2	9.8	10.2	10.5	11.2	11.8	12.8
800-80	8.5	8.5	8.9	9.5	10.2	10.8	11.8	12.5	12.8	13.8	15.1	16.7
1400-38	6.6	6.6	6.9	6.9	7.2	7.2	7.9	8.2	8.2	8.5	8.9	9.5
1400-50	6.9	7.2	7.2	7.5	7.9	8.2	8.9	9.2	9.5	9.8	10.5	11.2
1400-75	8.2	8.5	8.5	9.2	9.8	10.5	11.2	11.8	12.1	13.1	14.4	15.7
1400-96	9.5	9.8	10.2	10.8	11.8	12.8	13.8	14.4	15.4	16.7	18.4	20.3
2500-43	6.9	6.9	6.9	7.2	7.5	7.5	8.2	8.5	8.9	9.2	9.5	10.2
2500-56	7.2	7.5	7.5	7.9	8.2	8.9	9.5	9.5	9.8	10.5	11.2	12.1
2500-85	8.9	8.9	9.2	9.8	10.5	11.5	12.5	13.1	13.8	14.8	16.1	17.7
2500-112	10.5	10.8	11.5	12.1	13.4	14.8	16.1	17.1	18.0	19.7	21.6	24.3
4200-50	6.9	7.2	7.2	7.5	7.9	8.2	8.9	9.2	9.5	9.8	10.5	11.2
4200-67	7.9	7.9	8.2	8.5	9.2	9.5	10.5	10.8	11.2	11.8	12.8	14.1
4200-96	9.5	9.8	10.2	10.8	11.8	12.8	13.8	14.4	15.4	16.7	18.4	20.3
4200-128	11.8	12.1	12.8	13.8	15.4	17.1	18.7	19.7	21.0	23.0	25.6	
7000-40	6.6	6.9	6.9	6.9	7.2	7.5	8.2	8.2	8.5	8.9	9.2	9.8
7000-50	6.9	7.2	7.2	7.5	7.9	8.2	8.9	9.2	9.5	9.8	10.5	11.2
7000-67	7.9	7.9	8.2	8.5	9.2	9.5	10.5	10.8	11.2	11.8	12.8	14.1
7000-96	9.5	9.8	10.2	10.8	11.8	12.8	13.8	14.4	15.4	16.7	18.4	20.3
7000-128	11.8	12.1	12.8	13.8	15.4	17.1	18.7	19.7	21.0	23.0	25.6	
7000-144	13.1	13.8	14.4	15.7	17.4	19.4	21.6	22.6	24.3			

CAVITATION REDUNDANCY TABLE (CONT.)



U.S. STANDARD

Specification	Speed = 1150 rpm						Speed = 1750 rpm					
	Viscosity mm ² /s (cSt)						Viscosity mm ² /s (cSt)					
	≤35	75	150	350	750	1500	≤35	75	150	350	750	1500
	NPSHr (Ft)											
9800-48	6.9	6.9	7.2	7.5	7.9	8.2	8.9	8.9	9.2	9.5	10.2	10.8
9800-60	7.5	7.5	7.9	8.2	8.5	9.2	9.8	10.2	10.5	11.2	11.8	12.8
9800-80	8.5	8.5	8.9	9.5	10.2	10.8	11.8	12.5	12.8	13.8	15.1	16.7
9800-120	11.2	11.5	12.1	13.1	14.4	15.7	17.4	18.4	19.4	21.3	23.6	
9800-128	11.8	12.1	12.8	13.8	15.4	17.1	18.7	19.7	21.0	23.0	25.6	
9800-144	13.1	13.8	14.4	15.7	17.4	19.4	21.6	22.6	24.3			
9800-170	15.4	16.4	17.4	19.0	21.0	23.6						
18000-67	7.9	7.9	8.2	8.5	9.2	9.8	10.5	10.8	11.2	12.1	13.1	14.1
18000-90	9.2	9.2	9.5	10.2	11.2	12.1	13.1	13.8	14.4	15.4	17.1	19.0
18000-135	12.1	12.8	13.4	14.8	16.1	18.0	20.0	21.0	22.3	24.6		
18000-150	13.4	14.1	15.1	16.4	18.0	20.3	22.6	23.9	25.6			
18000-170	15.4	16.4	17.4	19.0	21.0	23.6						
18000-192	17.7	18.7	20.0	22.0	24.6							
36000-75	8.2	8.5	8.5	9.2	9.8	10.5	11.2	11.8	12.1	13.1	14.4	15.7
36000-96	9.5	9.8	10.2	10.8	11.8	12.8	13.8	14.4	15.4	16.7	18.4	20.3
36000-100	9.5	9.8	10.5	11.2	12.1	13.1	14.4	15.1	16.1	17.4	19.0	21.3
36000-112	10.5	10.8	11.5	12.1	13.4	14.8	16.1	17.1	18.0	19.7	21.6	24.3
36000-128	11.8	12.1	12.8	13.8	15.4	17.1	18.7	19.7	21.0	23.0	25.6	
36000-135	12.1	12.8	13.4	14.8	16.1	18.0	20.0	21.0	22.3	24.6		
36000-150	13.4	14.1	15.1	16.4	18.0	20.3	22.6	23.9	25.6			
36000-170	15.4	16.4	17.4	19.0	21.0	23.6						
36000-192	17.7	18.7	20.0	22.0	24.6							
36000-210	20.0	21.0	22.3	24.6								



CAVITATION REDUNDANCY TABLE

METRIC

Specification	Speed = 1150 rpm						Speed = 1750 rpm					
	Viscosity mm ² /s (cSt)						Viscosity mm ² /s (cSt)					
	≤35	75	150	350	750	1500	≤35	75	150	350	750	1500
	NPSHr (m)											
160-20	1.9	1.9	1.9	1.9	1.9	2.0	2.1	2.2	2.2	2.2	2.3	2.3
160-27	1.9	1.9	1.9	2.0	2.0	2.1	2.2	2.3	2.3	2.3	2.4	2.5
160-40	2.0	2.1	2.1	2.1	2.2	2.3	2.5	2.5	2.6	2.7	2.8	3.0
160-56	2.2	2.3	2.3	2.4	2.5	2.7	2.9	2.9	3.0	3.2	3.4	3.7
260-25	1.9	1.9	1.9	2.0	2.0	2.0	2.2	2.2	2.3	2.3	2.4	2.5
260-34	2.0	2.0	2.0	2.1	2.1	2.2	2.3	2.4	2.4	2.5	2.6	2.7
260-50	2.1	2.2	2.2	2.3	2.4	2.5	2.7	2.8	2.9	3.0	3.2	3.4
260-72	2.4	2.5	2.6	2.7	2.9	3.1	3.3	3.5	3.6	3.9	4.2	4.6
360-30	1.9	2.0	2.0	2.0	2.1	2.1	2.3	2.3	2.4	2.4	2.5	2.6
360-40	2.0	2.1	2.1	2.1	2.2	2.3	2.5	2.5	2.6	2.7	2.8	3.0
360-60	2.3	2.3	2.4	2.5	2.6	2.8	3.0	3.1	3.2	3.4	3.6	3.9
360-80	2.6	2.6	2.7	2.9	3.1	3.3	3.6	3.8	3.9	4.2	4.6	5.1
150-10	1.8	1.8	1.8	1.8	1.8	1.9	2.0	2.0	2.1	2.1	2.1	2.1
150-16	1.8	1.9	1.9	1.9	1.9	1.9	2.1	2.1	2.1	2.1	2.2	2.2
150-20	1.9	1.9	1.9	1.9	1.9	2.0	2.1	2.2	2.2	2.2	2.3	2.3
150-30	1.9	2.0	2.0	2.0	2.1	2.1	2.3	2.3	2.4	2.4	2.5	2.6
280-20	1.9	1.9	1.9	1.9	1.9	2.0	2.1	2.2	2.2	2.2	2.3	2.3
280-27	1.9	1.9	1.9	2.0	2.0	2.1	2.2	2.3	2.3	2.3	2.4	2.5
280-40	2.0	2.1	2.1	2.1	2.2	2.3	2.5	2.5	2.6	2.7	2.8	3.0
280-56	2.2	2.3	2.3	2.4	2.5	2.7	2.9	2.9	3.0	3.2	3.4	3.7
560-25	1.9	1.9	1.9	2.0	2.0	2.0	2.2	2.2	2.3	2.3	2.4	2.5
560-34	2.0	2.0	2.0	2.1	2.1	2.2	2.3	2.4	2.4	2.5	2.6	2.7
560-50	2.1	2.2	2.2	2.3	2.4	2.5	2.7	2.8	2.9	3.0	3.2	3.4
560-72	2.4	2.5	2.6	2.7	2.9	3.1	3.3	3.5	3.6	3.9	4.2	4.6
800-30	1.9	2.0	2.0	2.0	2.1	2.1	2.3	2.3	2.4	2.4	2.5	2.6
800-40	2.0	2.1	2.1	2.1	2.2	2.3	2.5	2.5	2.6	2.7	2.8	3.0
800-60	2.3	2.3	2.4	2.5	2.6	2.8	3.0	3.1	3.2	3.4	3.6	3.9
800-80	2.6	2.6	2.7	2.9	3.1	3.3	3.6	3.8	3.9	4.2	4.6	5.1
1400-38	2.0	2.0	2.1	2.1	2.2	2.2	2.4	2.5	2.5	2.6	2.7	2.9
1400-50	2.1	2.2	2.2	2.3	2.4	2.5	2.7	2.8	2.9	3.0	3.2	3.4
1400-75	2.5	2.6	2.6	2.8	3.0	3.2	3.4	3.6	3.7	4.0	4.4	4.8
1400-96	2.9	3.0	3.1	3.3	3.6	3.9	4.2	4.4	4.7	5.1	5.6	6.2
2500-43	2.1	2.1	2.1	2.2	2.3	2.3	2.5	2.6	2.7	2.8	2.9	3.1
2500-56	2.2	2.3	2.3	2.4	2.5	2.7	2.9	2.9	3.0	3.2	3.4	3.7
2500-85	2.7	2.7	2.8	3.0	3.2	3.5	3.8	4.0	4.2	4.5	4.9	5.4
2500-112	3.2	3.3	3.5	3.7	4.1	4.5	4.9	5.2	5.5	6.0	6.6	7.4
4200-50	2.1	2.2	2.2	2.3	2.4	2.5	2.7	2.8	2.9	3.0	3.2	3.4
4200-67	2.4	2.4	2.5	2.6	2.8	2.9	3.2	3.3	3.4	3.6	3.9	4.3
4200-96	2.9	3.0	3.1	3.3	3.6	3.9	4.2	4.4	4.7	5.1	5.6	6.2
4200-128	3.6	3.7	3.9	4.2	4.7	5.2	5.7	6.0	6.4	7.0	7.8	
7000-40	2.0	2.1	2.1	2.1	2.2	2.3	2.5	2.5	2.6	2.7	2.8	3.0
7000-50	2.1	2.2	2.2	2.3	2.4	2.5	2.7	2.8	2.9	3.0	3.2	3.4
7000-67	2.4	2.4	2.5	2.6	2.8	2.9	3.2	3.3	3.4	3.6	3.9	4.3
7000-96	2.9	3.0	3.1	3.3	3.6	3.9	4.2	4.4	4.7	5.1	5.6	6.2
7000-128	3.6	3.7	3.9	4.2	4.7	5.2	5.7	6.0	6.4	7.0	7.8	
7000-144	4.0	4.2	4.4	4.8	5.3	5.9	6.6	6.9	7.4			

CAVITATION REDUNDANCY TABLE (CONT.)



Specification	METRIC											
	Speed = 1150 rpm						Speed = 1750 rpm					
	Viscosity mm ² /s (cSt)						Viscosity mm ² /s (cSt)					
	≤35	75	150	350	750	1500	≤35	75	150	350	750	1500
NPSHr (m)												
9800-48	2.1	2.1	2.2	2.3	2.4	2.5	2.7	2.7	2.8	2.9	3.1	3.3
9800-60	2.3	2.3	2.4	2.5	2.6	2.8	3.0	3.1	3.2	3.4	3.6	3.9
9800-80	2.6	2.6	2.7	2.9	3.1	3.3	3.6	3.8	3.9	4.2	4.6	5.1
9800-120	3.4	3.5	3.7	4.0	4.4	4.8	5.3	5.6	5.9	6.5	7.2	
9800-128	3.6	3.7	3.9	4.2	4.7	5.2	5.7	6.0	6.4	7.0	7.8	
9800-144	4.0	4.2	4.4	4.8	5.3	5.9	6.6	6.9	7.4			
9800-170	4.7	5.0	5.3	5.8	6.4	7.2						
18000-67	2.4	2.4	2.5	2.6	2.8	3.0	3.2	3.3	3.4	3.7	4.0	4.3
18000-90	2.8	2.8	2.9	3.1	3.4	3.7	4.0	4.2	4.4	4.7	5.2	5.8
18000-135	3.7	3.9	4.1	4.5	4.9	5.5	6.1	6.4	6.8	7.5		
18000-150	4.1	4.3	4.6	5.0	5.5	6.2	6.9	7.3	7.8			
18000-170	4.7	5.0	5.3	5.8	6.4	7.2						
18000-192	5.4	5.7	6.1	6.7	7.5							
36000-75	2.5	2.6	2.6	2.8	3.0	3.2	3.4	3.6	3.7	4.0	4.4	4.8
36000-96	2.9	3.0	3.1	3.3	3.6	3.9	4.2	4.4	4.7	5.1	5.6	6.2
36000-100	2.9	3.0	3.2	3.4	3.7	4.0	4.4	4.6	4.9	5.3	5.8	6.5
36000-112	3.2	3.3	3.5	3.7	4.1	4.5	4.9	5.2	5.5	6.0	6.6	7.4
36000-128	3.6	3.7	3.9	4.2	4.7	5.2	5.7	6.0	6.4	7.0	7.8	
36000-135	3.7	3.9	4.1	4.5	4.9	5.5	6.1	6.4	6.8	7.5		
36000-150	4.1	4.3	4.6	5.0	5.5	6.2	6.9	7.3	7.8			
36000-170	4.7	5.0	5.3	5.8	6.4	7.2						
36000-192	5.4	5.7	6.1	6.7	7.5							
36000-210	6.1	6.4	6.8	7.5								



SECTION 8 D

150 PERFORMANCE @ 60Hz

U.S. STANDARD

Speed n=1150 rpm

Specification	Pressure ΔP PSI	Viscosity (mm ² /s) (cSt)															
		75		150		300		500		750		1000		1500		2000	
		Capacity GPM	Power HP	Capacity GPM	Power HP	Capacity GPM	Power HP	Capacity GPM	Power HP	Capacity GPM	Power HP	Capacity GPM	Power HP	Capacity GPM	Power HP	Capacity GPM	Power HP
150-10	29.0	9.6	1.3	9.7	1.6	9.7	2.0	9.8	2.3	9.8	2.6	9.8	2.8	9.8	3.0	9.8	3.1
	58.0	9.3	1.5	9.5	1.8	9.6	2.2	9.6	2.5	9.7	2.8	9.7	3.0	9.7	3.2	9.7	3.3
	87.0	9.1	1.7	9.3	2.0	9.4	2.3	9.5	2.7	9.6	3.0	9.6	3.1	9.6	3.3	9.7	3.5
	116.0	8.9	1.9	9.2	2.1	9.3	2.5	9.4	2.9	9.5	3.2	9.5	3.3	9.6	3.5	9.6	3.7
	145.0	8.8	2.0	9.0	2.3	9.2	2.7	9.3	3.0	9.4	3.3	9.4	3.5	9.5	3.7	9.6	3.8
	174.0	8.6	2.2	8.8	2.5	9.1	2.9	9.2	3.2	9.3	3.5	9.4	3.7	9.4	3.9	9.5	4.0
	203.1	8.4	2.4	8.7	2.7	9.0	3.1	9.1	3.4	9.2	3.7	9.3	3.8	9.4	4.0	9.4	4.2
	232.1	8.2	2.6	8.6	2.9	8.9	3.2	9.0	3.6	9.2	3.9	9.2	4.0	9.3	4.2	9.4	4.4
	261.1	8.1	2.7	8.5	3.0	8.8	3.4	8.9	3.7	9.1	4.0	9.2	4.2	9.2	4.4	9.3	4.6
	290.1			8.4	3.2	8.7	3.6	8.9	3.9	9.0	4.2	9.1	4.4	9.2	4.6	9.3	4.7
	319.1					8.6	3.8	8.8	4.1	8.9	4.4	9.0	4.5	9.2	4.8	9.2	4.9
348.1							8.7	4.3	8.9	4.6	9.0	4.7	9.1	4.9	9.2	5.1	
150-16	29.0	15.4	1.6	15.5	2.0	15.6	2.4	15.6	2.8	15.7	3.2	15.7	3.4	15.7	3.6	15.8	3.8
	58.0	15.0	1.9	15.2	2.3	15.4	2.7	15.5	3.1	15.5	3.5	15.5	3.6	15.6	3.9	15.6	4.1
	87.0	14.7	2.2	14.9	2.5	15.1	3.0	15.3	3.4	15.4	3.8	15.4	3.9	15.5	4.2	15.5	4.4
	116.0	14.4	2.5	14.7	2.8	15.0	3.3	15.1	3.7	15.2	4.0	15.3	4.2	15.4	4.5	15.4	4.6
	145.0	14.1	2.8	14.5	3.1	14.8	3.6	15.0	4.0	15.1	4.3	15.1	4.5	15.3	4.7	15.3	4.9
	174.0	13.9	3.1	14.3	3.4	14.6	3.8	14.8	4.3	15.0	4.6	15.1	4.8	15.1	5.0	15.2	5.2
	203.1	13.6	3.3	14.1	3.7	14.4	4.1	14.7	4.5	14.8	4.9	14.9	5.1	15.1	5.3	15.1	5.5
	232.1	13.3	3.6	13.9	4.0	14.3	4.4	14.6	4.8	14.7	5.2	14.8	5.3	15.0	5.6	15.1	5.8
	261.1	13.1	3.9	13.7	4.3	14.1	4.7	14.4	5.1	14.6	5.5	14.7	5.6	14.9	5.9	15.0	6.1
	290.1	12.9	4.2	13.5	4.5	14.0	5.0	14.3	5.4	14.5	5.8	14.7	5.9	14.8	6.2	14.9	6.3
	319.1			13.3	4.8	13.9	5.3	14.2	5.7	14.4	6.0	14.5	6.2	14.7	6.5	14.8	6.6
348.1					13.7	5.6	14.1	5.9	14.3	6.3	14.4	6.5	14.7	6.7	14.7	6.9	
150-20	29.0	18.6	1.8	18.8	2.1	18.8	2.6	18.9	3.0	18.9	3.4	19.0	3.6	19.0	3.9	19.0	4.1
	58.0	18.2	2.1	18.4	2.5	18.6	3.0	18.7	3.4	18.8	3.8	18.8	4.0	18.8	4.2	18.9	4.4
	87.0	17.8	2.5	18.1	2.8	18.3	3.3	18.5	3.7	18.6	4.1	18.6	4.3	18.7	4.6	18.8	4.8
	116.0	17.5	2.8	17.8	3.2	18.1	3.6	18.3	4.1	18.4	4.5	18.5	4.6	18.6	4.9	18.6	5.1
	145.0	17.1	3.2	17.6	3.5	17.9	4.0	18.1	4.4	18.3	4.8	18.4	5.0	18.4	5.3	18.5	5.4
	174.0	16.8	3.5	17.3	3.9	17.7	4.3	18.0	4.8	18.1	5.1	18.2	5.3	18.4	5.6	18.4	5.8
	203.1	16.5	3.8	17.1	4.2	17.5	4.7	17.8	5.1	18.0	5.5	18.1	5.7	18.2	5.9	18.3	6.1
	232.1	16.2	4.2	16.9	4.5	17.3	5.0	17.7	5.4	17.8	5.8	18.0	6.0	18.1	6.3	18.2	6.5
150-30	29.0	27.5	2.3	27.7	2.7	27.9	3.3	28.0	3.8	28.1	4.3	28.1	4.5	28.2	4.8	28.2	5.1
	58.0	26.9	2.8	27.2	3.2	27.5	3.8	27.6	4.3	27.7	4.8	27.8	5.0	27.9	5.3	28.0	5.6
	87.0	26.3	3.3	26.7	3.7	27.1	4.3	27.3	4.8	27.5	5.3	27.6	5.5	27.7	5.8	27.8	6.1
	116.0	25.7	3.8	26.3	4.2	26.8	4.8	27.0	5.3	27.2	5.8	27.3	6.0	27.5	6.4	27.6	6.6
	145.0	25.2	4.3	25.9	4.7	26.5	5.3	26.8	5.8	27.0	6.3	27.1	6.5	27.3	6.9	27.4	7.1
	174.0	24.7	4.8	25.5	5.3	26.2	5.8	26.5	6.3	26.8	6.8	26.9	7.0	27.1	7.4	27.3	7.6

Blackmer reserves the right to change the data in the table without prior notice.



Speed n=1150 rpm

METRIC

Specification	Pressure ΔP bar	Viscosity (mm ² /s) (cSt)															
		75		150		300		500		750		1000		1500		2000	
		Capacity m ³ /h	Power kW	Capacity m ³ /h	Power kW	Capacity m ³ /h	Power kW	Capacity m ³ /h	Power kW	Capacity m ³ /h	Power kW	Capacity m ³ /h	Power kW	Capacity m ³ /h	Power kW	Capacity m ³ /h	Power kW
150-10	2	2.2	1.0	2.2	1.2	2.2	1.5	2.2	1.7	2.2	2.0	2.2	2.1	2.2	2.2	2.2	2.3
	4	2.1	1.1	2.2	1.3	2.2	1.6	2.2	1.9	2.2	2.1	2.2	2.2	2.2	2.4	2.2	2.5
	6	2.1	1.3	2.1	1.5	2.1	1.8	2.2	2.0	2.2	2.2	2.2	2.3	2.2	2.5	2.2	2.6
	8	2.0	1.4	2.1	1.6	2.1	1.9	2.1	2.1	2.2	2.4	2.2	2.5	2.2	2.6	2.2	2.7
	10	2.0	1.5	2.0	1.7	2.1	2.0	2.1	2.3	2.1	2.5	2.1	2.6	2.2	2.8	2.2	2.9
	12	2.0	1.6	2.0	1.9	2.1	2.1	2.1	2.4	2.1	2.6	2.1	2.7	2.1	2.9	2.2	3.0
	14	1.9	1.8	2.0	2.0	2.0	2.3	2.1	2.5	2.1	2.8	2.1	2.9	2.1	3.0	2.1	3.1
	16	1.9	1.9	2.0	2.1	2.0	2.4	2.1	2.7	2.1	2.9	2.1	3.0	2.1	3.2	2.1	3.3
	18	1.8	2.0	1.9	2.3	2.0	2.5	2.0	2.8	2.1	3.0	2.1	3.1	2.1	3.3	2.1	3.4
	20			1.9	2.4	2.0	2.7	2.0	2.9	2.1	3.2	2.1	3.3	2.1	3.4	2.1	3.5
	22					2.0	2.8	2.0	3.1	2.0	3.3	2.1	3.4	2.1	3.6	2.1	3.7
24							2.0	3.2	2.0	3.4	2.0	3.5	2.1	3.7	2.1	3.8	
150-16	2	3.5	1.2	3.5	1.5	3.5	1.8	3.6	2.1	3.6	2.4	3.6	2.5	3.6	2.7	3.6	2.8
	4	3.4	1.4	3.5	1.7	3.5	2.0	3.5	2.3	3.5	2.6	3.5	2.7	3.5	2.9	3.6	3.0
	6	3.3	1.6	3.4	1.9	3.4	2.2	3.5	2.5	3.5	2.8	3.5	2.9	3.5	3.1	3.5	3.3
	8	3.3	1.9	3.3	2.1	3.4	2.5	3.4	2.7	3.5	3.0	3.5	3.1	3.5	3.3	3.5	3.5
	10	3.2	2.1	3.3	2.3	3.4	2.7	3.4	3.0	3.4	3.2	3.4	3.4	3.5	3.5	3.5	3.7
	12	3.2	2.3	3.2	2.5	3.3	2.9	3.4	3.2	3.4	3.4	3.4	3.6	3.4	3.8	3.5	3.9
	14	3.1	2.5	3.2	2.8	3.3	3.1	3.3	3.4	3.4	3.7	3.4	3.8	3.4	4.0	3.4	4.1
	16	3.0	2.7	3.2	3.0	3.3	3.3	3.3	3.6	3.4	3.9	3.4	4.0	3.4	4.2	3.4	4.3
	18	3.0	2.9	3.1	3.2	3.2	3.5	3.3	3.8	3.3	4.1	3.4	4.2	3.4	4.4	3.4	4.5
	20	2.9	3.1	3.1	3.4	3.2	3.7	3.3	4.0	3.3	4.3	3.3	4.4	3.4	4.6	3.4	4.7
	22			3.0	3.6	3.2	3.9	3.2	4.2	3.3	4.5	3.3	4.6	3.3	4.8	3.4	4.9
24					3.1	4.1	3.2	4.4	3.3	4.7	3.3	4.8	3.3	5.0	3.4	5.2	
150-20	2	4.2	1.3	4.3	1.6	4.3	2.0	4.3	2.3	4.3	2.6	4.3	2.7	4.3	2.9	4.3	3.0
	4	4.1	1.6	4.2	1.9	4.2	2.2	4.2	2.5	4.3	2.8	4.3	3.0	4.3	3.2	4.3	3.3
	6	4.0	1.8	4.1	2.1	4.2	2.5	4.2	2.8	4.2	3.1	4.2	3.2	4.3	3.4	4.3	3.6
	8	4.0	2.1	4.1	2.4	4.1	2.7	4.2	3.0	4.2	3.3	4.2	3.5	4.2	3.7	4.2	3.8
	10	3.9	2.4	4.0	2.6	4.1	3.0	4.1	3.3	4.2	3.6	4.2	3.7	4.2	3.9	4.2	4.1
	12	3.8	2.6	3.9	2.9	4.0	3.2	4.1	3.6	4.1	3.8	4.1	4.0	4.2	4.2	4.2	4.3
	14	3.8	2.9	3.9	3.1	4.0	3.5	4.0	3.8	4.1	4.1	4.1	4.2	4.1	4.4	4.2	4.6
	16	3.7	3.1	3.8	3.4	3.9	3.7	4.0	4.1	4.1	4.4	4.1	4.5	4.1	4.7	4.1	4.8
150-30	2	6.3	1.7	6.3	2.0	6.3	2.5	6.4	2.8	6.4	3.2	6.4	3.4	6.4	3.6	6.4	3.8
	4	6.1	2.1	6.2	2.4	6.2	2.8	6.3	3.2	6.3	3.6	6.3	3.7	6.3	4.0	6.4	4.2
	6	6.0	2.4	6.1	2.8	6.2	3.2	6.2	3.6	6.2	4.0	6.3	4.1	6.3	4.4	6.3	4.5
	8	5.8	2.8	6.0	3.2	6.1	3.6	6.1	4.0	6.2	4.3	6.2	4.5	6.3	4.7	6.3	4.9
	10	5.7	3.2	5.9	3.5	6.0	4.0	6.1	4.4	6.1	4.7	6.2	4.9	6.2	5.1	6.2	5.3
	12	5.6	3.6	5.8	3.9	5.9	4.4	6.0	4.7	6.1	5.1	6.1	5.3	6.2	5.5	6.2	5.7

Blackmer reserves the right to change the data in the table without prior notice.



U.S. STANDARD

Speed n=1150 rpm

Specification	Pressure ΔP PSI	Viscosity (mm ² /s) (cSt)															
		75		150		300		500		750		1000		1500		2000	
		Capacity GPM	Power HP	Capacity GPM	Power HP	Capacity GPM	Power HP	Capacity GPM	Power HP	Capacity GPM	Power HP	Capacity GPM	Power HP	Capacity GPM	Power HP	Capacity GPM	Power HP
160-20	29.0	13.5	1.6	13.7	1.9	14.0	2.4	14.1	2.7	14.2	3.1	14.2	3.3	14.3	3.5	14.4	3.7
	43.5	13.0	1.7	13.4	2.1	13.7	2.5	13.8	2.9	14.0	3.2	14.0	3.4	14.1	3.6	14.2	3.8
	58.0	12.6	1.8	13.0	2.2	13.4	2.6	13.6	3.0	13.8	3.4	13.9	3.5	14.0	3.8	14.0	4.0
	72.5	12.2	2.0	12.7	2.3	13.2	2.7	13.4	3.1	13.6	3.5	13.7	3.6	13.8	3.9	13.9	4.1
	87.0	11.8	2.1	12.5	2.4	12.9	2.9	13.2	3.3	13.4	3.6	13.5	3.8	13.7	4.0	13.8	4.2
	101.5	11.5	2.2	12.2	2.5	12.7	3.0	13.0	3.4	13.3	3.7	13.4	3.9	13.6	4.2	13.6	4.3
	116.0	11.1	2.3	11.9	2.7	12.5	3.1	12.9	3.5	13.1	3.9	13.3	4.0	13.4	4.3	13.6	4.5
	130.5	10.8	2.5	11.6	2.8	12.3	3.2	12.6	3.6	12.9	4.0	13.1	4.2	13.3	4.4	13.4	4.6
	145.0	10.5	2.6	11.4	2.9	12.1	3.4	12.5	3.8	12.8	4.1	12.9	4.3	13.2	4.5	13.3	4.7
160-27	29.0	18.2	1.7	18.5	2.1	18.8	2.5	18.9	2.9	19.1	3.3	19.1	3.5	19.2	3.7	19.2	3.9
	43.5	17.6	1.9	18.1	2.2	18.4	2.7	18.6	3.1	18.8	3.5	18.9	3.6	19.0	3.9	19.1	4.1
	58.0	17.1	2.0	17.7	2.4	18.1	2.8	18.4	3.3	18.5	3.6	18.7	3.8	18.8	4.0	18.9	4.2
	72.5	16.6	2.2	17.3	2.6	17.8	3.0	18.1	3.4	18.3	3.8	18.4	4.0	18.6	4.2	18.7	4.4
	87.0	16.1	2.4	16.9	2.7	17.5	3.2	17.8	3.6	18.1	4.0	18.2	4.1	18.4	4.4	18.6	4.6
	101.5	15.6	2.5	16.5	2.9	17.2	3.4	17.6	3.8	17.9	4.1	18.1	4.3	18.3	4.6	18.4	4.7
	116.0	15.2	2.7	16.2	3.1	16.9	3.5	17.3	3.9	17.7	4.3	17.9	4.5	18.1	4.7	18.3	4.9
160-40	29.0	27.6	2.0	28.0	2.4	28.4	2.9	28.6	3.4	28.7	3.8	28.8	4.0	28.9	4.3	29.0	4.5
	43.5	26.8	2.3	27.4	2.7	27.9	3.2	28.1	3.6	28.4	4.0	28.5	4.2	28.6	4.5	28.7	4.7
	58.0	26.1	2.5	26.9	2.9	27.4	3.4	27.8	3.9	28.0	4.3	28.2	4.5	28.4	4.7	28.5	5.0
	72.5	25.4	2.8	26.3	3.2	27.0	3.7	27.4	4.1	27.7	4.5	27.9	4.7	28.1	5.0	28.3	5.2
	87.0	24.8	3.0	25.8	3.4	26.6	3.9	27.1	4.4	27.4	4.8	27.6	5.0	27.9	5.3	28.0	5.5
160-56	29.0	38.6	2.4	39.1	2.9	39.6	3.4	39.9	4.0	40.1	4.4	40.2	4.6	40.4	5.0	40.5	5.2
	43.5	37.5	2.8	38.3	3.2	39.0	3.8	39.4	4.3	39.6	4.8	39.8	5.0	40.0	5.3	40.2	5.6
	58.0	36.5	3.1	37.6	3.6	38.4	4.2	38.9	4.7	39.2	5.1	39.4	5.3	39.7	5.7	39.8	5.9
	72.5	35.7	3.5	36.9	3.9	37.8	4.5	38.4	5.0	38.8	5.5	39.0	5.7	39.3	6.0	39.5	6.2

Blackmer reserves the right to change the data in the table without prior notice.

Speed n=1150 rpm

METRIC

Specification	Pressure ΔP bar	Viscosity (mm ² /s) (cSt)															
		75		150		300		500		750		1000		1500		2000	
		Capacity m ³ /h	Power kW	Capacity m ³ /h	Power kW	Capacity m ³ /h	Power kW	Capacity m ³ /h	Power kW	Capacity m ³ /h	Power kW	Capacity m ³ /h	Power kW	Capacity m ³ /h	Power kW	Capacity m ³ /h	Power kW
160-20	2	3.1	1.2	3.1	1.4	3.2	1.8	3.2	2.1	3.2	2.3	3.2	2.4	3.3	2.6	3.3	2.8
	3	3.0	1.3	3.0	1.5	3.1	1.9	3.1	2.2	3.2	2.4	3.2	2.5	3.2	2.7	3.2	2.9
	4	2.9	1.4	3.0	1.6	3.0	2.0	3.1	2.2	3.1	2.5	3.2	2.6	3.2	2.8	3.2	3.0
	5	2.8	1.5	2.9	1.7	3.0	2.0	3.1	2.3	3.1	2.6	3.1	2.7	3.1	2.9	3.2	3.0
	6	2.7	1.6	2.8	1.8	2.9	2.1	3.0	2.4	3.1	2.7	3.1	2.8	3.1	3.0	3.1	3.1
	7	2.6	1.6	2.8	1.9	2.9	2.2	3.0	2.5	3.0	2.8	3.0	2.9	3.1	3.1	3.1	3.1
	8	2.5	1.7	2.7	2.0	2.8	2.3	2.9	2.6	3.0	2.9	3.0	3.0	3.1	3.2	3.1	3.3
	9	2.5	1.8	2.6	2.1	2.8	2.4	2.9	2.7	2.9	3.0	3.0	3.1	3.0	3.3	3.1	3.4
	10	2.4	1.9	2.6	2.2	2.7	2.5	2.8	2.8	2.9	3.1	2.9	3.2	3.0	3.4	3.0	3.5
	160-27	2	4.1	1.3	4.2	1.5	4.3	1.9	4.3	2.2	4.3	2.5	4.3	2.6	4.4	2.8	4.4
3		4.0	1.4	4.1	1.7	4.2	2.0	4.2	2.3	4.3	2.6	4.3	2.7	4.3	2.9	4.3	3.0
4		3.9	1.5	4.0	1.8	4.1	2.1	4.2	2.4	4.2	2.7	4.2	2.8	4.3	3.0	4.3	3.2
5		3.8	1.7	3.9	1.9	4.0	2.3	4.1	2.6	4.2	2.8	4.2	3.0	4.2	3.2	4.3	3.3
6		3.7	1.8	3.8	2.0	4.0	2.4	4.1	2.7	4.1	3.0	4.1	3.1	4.2	3.3	4.2	3.4
7		3.6	1.9	3.8	2.2	3.9	2.5	4.0	2.8	4.1	3.1	4.1	3.2	4.2	3.4	4.2	3.5
8		3.5	2.0	3.7	2.3	3.8	2.6	3.9	2.9	4.0	3.2	4.1	3.3	4.1	3.5	4.2	3.7
10		3.4	2.1	3.6	2.4	3.7	2.7	3.8	3.0	3.9	3.3	4.0	3.4	4.1	3.6	4.2	3.8
160-40	2	6.3	1.5	6.4	1.8	6.4	2.2	6.5	2.5	6.5	2.8	6.5	3.0	6.6	3.2	6.6	3.3
	3	6.1	1.7	6.2	2.0	6.3	2.4	6.4	2.7	6.4	3.0	6.5	3.1	6.5	3.4	6.5	3.5
	4	5.9	1.9	6.1	2.2	6.2	2.6	6.3	2.9	6.4	3.2	6.4	3.3	6.4	3.5	6.5	3.7
	5	5.8	2.1	6.0	2.4	6.1	2.7	6.2	3.1	6.3	3.4	6.3	3.5	6.4	3.7	6.4	3.9
	6	5.6	2.3	5.9	2.6	6.1	2.9	6.2	3.3	6.2	3.6	6.3	3.7	6.3	3.9	6.4	4.1
	10	5.5	2.4	5.8	2.7	6.0	3.0	6.1	3.4	6.2	3.7	6.2	3.8	6.3	4.0	6.4	4.2
160-56	2	8.8	1.8	8.9	2.2	9.0	2.6	9.1	3.0	9.1	3.3	9.1	3.5	9.2	3.7	9.2	3.9
	3	8.5	2.1	8.7	2.4	8.9	2.8	8.9	3.2	9.0	3.6	9.0	3.7	9.1	4.0	9.1	4.1
	4	8.3	2.3	8.5	2.7	8.7	3.1	8.8	3.5	8.9	3.8	9.0	4.0	9.0	4.2	9.1	4.4
	5	8.1	2.6	8.4	2.9	8.6	3.4	8.7	3.7	8.8	4.1	8.9	4.3	8.9	4.5	9.0	4.7
	10	8.0	2.7	8.3	3.0	8.5	3.5	8.6	3.8	8.7	4.2	8.8	4.4	8.9	4.6	9.0	4.8



U.S. STANDARD

Speed n=1150 rpm

Specification	Pressure ΔP PSI	Viscosity (mm ² /s) (cSt)															
		75		150		300		500		750		1000		1500		2000	
		Capacity GPM	Power HP	Capacity GPM	Power HP	Capacity GPM	Power HP	Capacity GPM	Power HP	Capacity GPM	Power HP	Capacity GPM	Power HP	Capacity GPM	Power HP	Capacity GPM	Power HP
260-25	29.0	27.1	2.2	27.6	2.7	28.0	3.2	28.2	3.8	28.3	4.2	28.4	4.4	28.5	4.8	28.6	5.0
	43.5	26.3	2.5	26.9	2.9	27.4	3.5	27.7	4.0	28.0	4.5	28.1	4.7	28.2	5.0	28.4	5.2
	58.0	25.5	2.7	26.3	3.2	26.9	3.7	27.3	4.3	27.6	4.7	27.7	4.9	28.0	5.3	28.1	5.5
	72.5	24.8	3.0	25.8	3.4	26.5	4.0	26.9	4.5	27.3	5.0	27.5	5.2	27.7	5.5	27.9	5.7
	87.0	24.2	3.2	25.2	3.7	26.1	4.2	26.6	4.7	26.9	5.2	27.2	5.4	27.5	5.8	27.6	6.0
	101.5	23.5	3.5	24.7	3.9	25.7	4.5	26.2	5.0	26.6	5.5	26.9	5.7	27.2	6.0	27.4	6.2
	116.0	22.9	3.7	24.2	4.2	25.3	4.7	25.9	5.2	26.4	5.7	26.6	5.9	27.0	6.2	27.2	6.5
	130.5			23.8	4.4	24.9	5.0	25.6	5.5	26.1	6.0	26.4	6.2	26.8	6.5	27.0	6.7
	145.0			23.3	4.7	24.6	5.2	25.3	5.7	25.8	6.2	26.2	6.4	26.5	6.8	26.8	7.0
260-34	29.0	36.6	2.5	37.2	3.0	37.6	3.6	37.9	4.2	38.0	4.7	38.1	4.9	38.3	5.2	38.4	5.5
	43.5	35.6	2.9	36.4	3.3	37.0	3.9	37.3	4.5	37.6	5.0	37.7	5.2	38.0	5.6	38.0	5.8
	58.0	34.7	3.2	35.7	3.7	36.4	4.3	36.9	4.8	37.2	5.3	37.4	5.6	37.6	5.9	37.8	6.2
	72.5	33.9	3.5	35.0	4.0	35.9	4.6	36.5	5.2	36.8	5.7	37.0	5.9	37.3	6.2	37.5	6.5
	87.0	33.2	3.8	34.4	4.3	35.4	4.9	36.0	5.5	36.5	6.0	36.7	6.2	37.0	6.6	37.2	6.8
	101.5	32.4	4.2	33.8	4.7	35.0	5.3	35.6	5.8	36.1	6.3	36.4	6.6	36.8	6.9	37.0	7.2
	116.0	31.7	4.5	33.2	5.0	34.5	5.6	35.2	6.2	35.8	6.7	36.1	6.9	36.5	7.2	36.7	7.5
260-50	29.0	55.5	3.0	55.9	3.6	56.8	4.2	57.2	4.8	57.2	5.4	57.2	5.6	57.7	6.0	57.7	6.3
	43.5	54.2	3.5	55.0	4.0	55.9	4.7	56.4	5.3	56.8	5.9	56.8	6.1	57.2	6.5	57.2	6.8
	58.0	52.8	4.0	54.2	4.5	55.0	5.2	55.9	5.8	56.4	6.4	56.4	6.6	56.8	7.0	56.8	7.3
	72.5	52.0	4.5	53.3	5.0	54.6	5.7	55.0	6.3	55.5	6.9	55.9	7.1	56.4	7.5	56.4	7.8
	87.0	50.6	5.0	52.4	5.6	53.7	6.2	54.6	6.8	55.0	7.4	55.5	7.6	55.9	8.0	56.4	8.3
260-72	29.0	79.7	3.6	81.0	4.2	81.5	5.0	82.3	5.6	82.3	6.2	82.8	6.5	82.8	6.9	83.2	7.2
	43.5	77.9	4.4	79.3	4.9	80.6	5.7	81.0	6.3	81.5	6.9	81.9	7.2	82.3	7.6	82.3	7.9
	58.0	76.2	5.1	77.9	5.7	79.7	6.4	80.1	7.0	81.0	7.6	81.5	7.9	81.9	8.3	81.9	8.6
	72.5	74.8	5.8	77.0	6.4	78.4	7.1	79.7	7.8	80.1	8.4	80.6	8.6	81.0	9.1	81.5	9.3

Blackmer reserves the right to change the data in the table without prior notice.

Speed n=1150 rpm

METRIC

Specification	Pressure ΔP bar	Viscosity (mm ² /s) (cSt)															
		75		150		300		500		750		1000		1500		2000	
		Capacity m ³ /h	Power kW	Capacity m ³ /h	Power kW	Capacity m ³ /h	Power kW	Capacity m ³ /h	Power kW	Capacity m ³ /h	Power kW	Capacity m ³ /h	Power kW	Capacity m ³ /h	Power kW	Capacity m ³ /h	Power kW
260-25	2	6.2	1.7	6.3	2.0	6.4	2.4	6.4	2.8	6.4	3.2	6.5	3.3	6.5	3.6	6.5	3.7
	3	6.0	1.9	6.1	2.2	6.2	2.6	6.3	3.0	6.4	3.3	6.4	3.5	6.4	3.7	6.4	3.9
	4	5.8	2.0	6.0	2.4	6.1	2.8	6.2	3.2	6.3	3.5	6.3	3.7	6.4	3.9	6.4	4.1
	5	5.6	2.2	5.9	2.6	6.0	3.0	6.1	3.4	6.2	3.7	6.2	3.9	6.3	4.1	6.3	4.3
	6	5.5	2.4	5.7	2.7	5.9	3.2	6.0	3.5	6.1	3.9	6.2	4.1	6.2	4.3	6.3	4.5
	7	5.3	2.6	5.6	2.9	5.8	3.4	6.0	3.7	6.1	4.1	6.1	4.2	6.2	4.5	6.2	4.7
	8	5.2	2.8	5.5	3.1	5.7	3.5	5.9	3.9	6.0	4.3	6.1	4.4	6.1	4.7	6.2	4.8
	9			5.4	3.3	5.7	3.7	5.8	4.1	5.9	4.5	6.0	4.6	6.1	4.9	6.1	5.0
	10			5.3	3.5	5.6	3.9	5.8	4.3	5.9	4.6	5.9	4.8	6.0	5.0	6.1	5.2
	260-34	2	8.3	1.9	8.4	2.2	8.5	2.7	8.6	3.1	8.6	3.5	8.7	3.7	8.7	3.9	8.7
3		8.1	2.1	8.3	2.5	8.4	2.9	8.5	3.4	8.5	3.7	8.6	3.9	8.6	4.2	8.6	4.3
4		7.9	2.4	8.1	2.7	8.3	3.2	8.4	3.6	8.5	4.0	8.5	4.1	8.5	4.4	8.6	4.6
5		7.7	2.6	8.0	3.0	8.2	3.4	8.3	3.9	8.4	4.2	8.4	4.4	8.5	4.7	8.5	4.8
6		7.5	2.9	7.8	3.2	8.0	3.7	8.2	4.1	8.3	4.5	8.3	4.6	8.4	4.9	8.5	5.1
7		7.4	3.1	7.7	3.5	7.9	3.9	8.1	4.3	8.2	4.7	8.3	4.9	8.4	5.2	8.4	5.3
8		7.2	3.4	7.6	3.7	7.8	4.2	8.0	4.6	8.1	5.0	8.2	5.1	8.3	5.4	8.3	5.6
260-50		2	12.6	2.3	12.7	2.7	12.9	3.1	13.0	3.6	13.0	4.0	13.0	4.2	13.1	4.5	13.1
	3	12.3	2.6	12.5	3.0	12.7	3.5	12.8	4.0	12.9	4.4	12.9	4.6	13.0	4.8	13.0	5.0
	4	12.0	3.0	12.3	3.4	12.5	3.9	12.7	4.3	12.8	4.7	12.8	4.9	12.9	5.2	12.9	5.4
	5	11.8	3.4	12.1	3.8	12.4	4.3	12.5	4.7	12.6	5.1	12.7	5.3	12.8	5.6	12.8	5.8
	6	11.5	3.7	11.9	4.1	12.2	4.6	12.4	5.1	12.5	5.5	12.6	5.7	12.7	6.0	12.8	6.2
	260-72	2	18.1	2.7	18.4	3.2	18.5	3.7	18.7	4.2	18.7	4.6	18.8	4.8	18.8	5.1	18.9
3		17.7	3.3	18.0	3.7	18.3	4.2	18.4	4.7	18.5	5.2	18.6	5.4	18.7	5.7	18.7	5.9
4		17.3	3.8	17.7	4.2	18.1	4.8	18.2	5.3	18.4	5.7	18.5	5.9	18.6	6.2	18.6	6.4
5		17.0	4.3	17.5	4.8	17.8	5.3	18.1	5.8	18.2	6.2	18.3	6.4	18.4	6.8	18.5	7.0



U.S. STANDARD

Speed n=1150 rpm

Specification	Pressure ΔP PSI	Viscosity (mm ² /s) (cSt)															
		75		150		300		500		750		1000		1500		2000	
		Capacity GPM	Power HP	Capacity GPM	Power HP	Capacity GPM	Power HP	Capacity GPM	Power HP	Capacity GPM	Power HP	Capacity GPM	Power HP	Capacity GPM	Power HP	Capacity GPM	Power HP
280-20	29.0	28.6	3.0	29.1	3.6	29.5	4.4	29.8	5.1	30.0	5.8	30.1	6.1	30.2	6.5	30.3	6.9
	58.0	26.9	3.5	27.7	4.2	28.4	5.0	28.9	5.7	29.2	6.3	29.4	6.6	29.6	7.1	29.7	7.4
	87.0	25.3	4.1	26.5	4.7	27.5	5.5	28.0	6.2	28.4	6.9	28.7	7.2	29.0	7.6	29.2	8.0
	116.0	23.9	4.7	25.4	5.3	26.6	6.1	27.3	6.8	27.8	7.5	28.1	7.8	28.5	8.2	28.8	8.5
	145.0	22.6	5.2	24.3	5.8	25.8	6.6	26.6	7.3	27.2	8.0	27.6	8.3	28.0	8.8	28.3	9.1
	174.0	21.3	5.8	23.3	6.4	25.0	7.2	25.9	7.9	26.6	8.6	27.0	8.9	27.6	9.3	27.9	9.6
	203.1	20.1	6.3	22.4	6.9	24.2	7.7	25.3	8.5	26.0	9.1	26.5	9.4	27.1	9.9	27.5	10.2
	232.1	18.9	6.9	21.4	7.5	23.5	8.3	24.7	9.0	25.5	9.7	26.0	10.0	26.7	10.4	27.1	10.8
	261.1			20.6	8.1	22.8	8.9	24.1	9.6	25.0	10.2	25.5	10.5	26.2	11.0	26.7	11.3
	290.1					22.1	9.4	23.5	10.1	24.5	10.8	25.1	11.1	25.8	11.5	26.3	11.9
	319.1							22.9	10.7	24.0	11.3	24.6	11.6	25.4	12.1	26.0	12.4
348.1							22.4	11.2	23.5	11.9	24.2	12.2	25.1	12.6	25.6	13.0	
280-27	29.0	38.3	3.3	39.1	4.0	39.6	4.9	40.0	5.6	40.2	6.3	40.3	6.7	40.5	7.1	40.6	7.5
	58.0	36.0	4.1	37.2	4.8	38.2	5.6	38.7	6.4	39.1	7.1	39.4	7.4	39.7	7.9	39.8	8.2
	87.0	34.0	4.8	35.6	5.5	36.9	6.4	37.6	7.1	38.2	7.8	38.5	8.1	38.9	8.6	39.2	9.0
	116.0	32.1	5.6	34.1	6.2	35.7	7.1	36.6	7.9	37.3	8.6	37.7	8.9	38.2	9.4	38.6	9.7
	145.0	30.3	6.3	32.7	7.0	34.6	7.8	35.7	8.6	36.5	9.3	36.9	9.6	37.6	10.1	38.0	10.5
	174.0	28.7	7.1	31.3	7.7	33.5	8.6	34.8	9.4	35.7	10.1	36.2	10.4	36.9	10.9	37.4	11.2
	203.1	27.0	7.8	30.1	8.5	32.5	9.3	33.9	10.1	35.0	10.8	35.6	11.1	36.4	11.6	36.9	12.0
	232.1	25.5	8.6	28.8	9.2	31.5	10.1	33.1	10.8	34.2	11.5	34.9	11.9	35.8	12.4	36.3	12.7
	261.1			27.6	10.0	30.6	10.8	32.3	11.6	33.5	12.3	34.3	12.6	35.2	13.1	35.8	13.4
	290.1			26.5	10.7	29.6	11.6	31.6	12.3	32.8	13.0	33.7	13.4	34.7	13.8	35.4	14.2
280-40	29.0	58.6	3.9	59.4	4.6	59.9	5.5	60.3	6.3	60.8	7.1	60.8	7.4	61.2	7.9	61.2	8.3
	58.0	55.5	5.0	56.8	5.7	58.1	6.6	59.0	7.4	59.4	8.2	59.4	8.5	59.9	9.1	60.3	9.4
	87.0	52.8	6.1	55.0	6.8	56.4	7.7	57.7	8.6	58.1	9.3	58.6	9.6	59.0	10.2	59.4	10.5
	116.0	50.6	7.2	53.3	8.0	55.0	8.9	56.4	9.7	57.2	10.4	57.7	10.8	58.1	11.3	58.6	11.7
	145.0	48.4	8.4	51.5	9.1	53.7	10.0	55.0	10.8	55.9	11.5	56.8	11.9	57.2	12.4	58.1	12.8
	174.0	46.2	9.5	49.8	10.2	52.4	11.1	54.2	11.9	55.0	12.7	55.9	13.0	56.8	13.5	57.2	13.9
	203.1	44.5	10.6	48.0	11.3	51.1	12.2	52.8	13.0	54.2	13.8	55.0	14.1	55.9	14.6	56.4	15.0
	232.1			46.7	12.4	49.8	13.3	52.0	14.1	53.3	14.9	54.2	15.3	55.0	15.7	55.9	16.1
280-56	29.0	81.9	4.6	83.2	5.4	84.1	6.4	85.0	7.3	85.0	8.2	85.4	8.5	85.9	9.1	85.9	9.5
	58.0	77.9	6.2	80.1	7.0	81.9	8.0	82.8	8.9	83.2	9.7	83.7	10.1	84.1	10.7	84.5	11.1
	87.0	74.4	7.8	77.5	8.6	79.3	9.6	80.6	10.5	81.9	11.3	82.3	11.7	82.8	12.2	83.2	12.7
	116.0	71.3	9.3	74.8	10.1	77.5	11.1	79.3	12.0	80.1	12.9	81.0	13.2	81.9	13.8	82.3	14.2
	145.0			72.2	11.7	75.7	12.7	77.5	13.5	78.8	14.5	79.7	14.8	80.6	15.4	81.5	15.8

Speed n=1150 rpm

METRIC

Specification	Pressure ΔP bar	Viscosity (mm ² /s) (cSt)															
		75		150		300		500		750		1000		1500		2000	
		Capacity m ³ /h	Power kW	Capacity m ³ /h	Power kW	Capacity m ³ /h	Power kW	Capacity m ³ /h	Power kW	Capacity m ³ /h	Power kW	Capacity m ³ /h	Power kW	Capacity m ³ /h	Power kW	Capacity m ³ /h	Power kW
280-20	2	6.5	2.2	6.6	2.7	6.7	3.3	6.8	3.8	6.8	4.3	6.8	4.5	6.9	4.9	6.9	5.1
	4	6.1	2.6	6.3	3.1	6.5	3.7	6.6	4.2	6.6	4.7	6.7	5.0	6.7	5.3	6.8	5.5
	6	5.8	3.1	6.0	3.5	6.2	4.1	6.4	4.7	6.5	5.1	6.5	5.4	6.6	5.7	6.6	6.0
	8	5.4	3.5	5.8	3.9	6.0	4.5	6.2	5.1	6.3	5.6	6.4	5.8	6.5	6.1	6.5	6.4
	10	5.1	3.9	5.5	4.4	5.9	5.0	6.0	5.5	6.2	6.0	6.3	6.2	6.4	6.5	6.4	6.8
	12	4.8	4.3	5.3	4.8	5.7	5.4	5.9	5.9	6.0	6.4	6.1	6.6	6.3	7.0	6.3	7.2
	14	4.6	4.7	5.1	5.2	5.5	5.8	5.7	6.3	5.9	6.8	6.0	7.0	6.2	7.4	6.2	7.6
	16	4.3	5.1	4.9	5.6	5.3	6.2	5.6	6.7	5.8	7.2	5.9	7.4	6.1	7.8	6.2	8.0
	18			4.7	6.0	5.2	6.6	5.5	7.1	5.7	7.6	5.8	7.9	6.0	8.2	6.1	8.4
	20					5.0	7.0	5.3	7.6	5.6	8.0	5.7	8.3	5.9	8.6	6.0	8.9
	22					4.9	7.4	5.2	8.0	5.4	8.5	5.6	8.7	5.8	9.0	5.9	9.3
24							5.1	8.4	5.3	8.9	5.5	9.1	5.7	9.4	5.8	9.7	
280-27	2	8.7	2.5	8.9	3.0	9.0	3.6	9.1	4.2	9.1	4.7	9.2	5.0	9.2	5.3	9.2	5.6
	4	8.2	3.1	8.5	3.6	8.7	4.2	8.8	4.8	8.9	5.3	8.9	5.5	9.0	5.9	9.1	6.1
	6	7.7	3.6	8.1	4.1	8.4	4.7	8.6	5.3	8.7	5.8	8.7	6.1	8.8	6.4	8.9	6.7
	8	7.3	4.2	7.7	4.7	8.1	5.3	8.3	5.9	8.5	6.4	8.6	6.6	8.7	7.0	8.8	7.3
	10	6.9	4.7	7.4	5.2	7.9	5.9	8.1	6.4	8.3	7.0	8.4	7.2	8.5	7.6	8.6	7.8
	12	6.5	5.3	7.1	5.8	7.6	6.4	7.9	7.0	8.1	7.5	8.2	7.7	8.4	8.1	8.5	8.4
	14	6.1	5.8	6.8	6.3	7.4	7.0	7.7	7.5	7.9	8.1	8.1	8.3	8.3	8.7	8.4	8.9
	16	5.8	6.4	6.6	6.9	7.2	7.5	7.5	8.1	7.8	8.6	7.9	8.9	8.1	9.2	8.3	9.5
	18			6.3	7.4	6.9	8.1	7.3	8.6	7.6	9.2	7.8	9.4	8.0	9.8	8.1	10.0
	20			6.0	8.0	6.7	8.6	7.2	9.2	7.5	9.7	7.7	10.0	7.9	10.3	8.0	10.6
280-40	2	13.3	2.9	13.5	3.4	13.6	4.1	13.7	4.7	13.8	5.3	13.8	5.5	13.9	5.9	13.9	6.2
	4	12.6	3.7	12.9	4.3	13.2	4.9	13.4	5.6	13.5	6.1	13.5	6.4	13.6	6.8	13.7	7.0
	6	12.0	4.6	12.5	5.1	12.8	5.8	13.1	6.4	13.2	6.9	13.3	7.2	13.4	7.6	13.5	7.9
	8	11.5	5.4	12.1	5.9	12.5	6.6	12.8	7.2	13.0	7.8	13.1	8.0	13.2	8.4	13.3	8.7
	10	11.0	6.2	11.7	6.8	12.2	7.4	12.5	8.1	12.7	8.6	12.9	8.9	13.0	9.3	13.2	9.5
	12	10.5	7.1	11.3	7.6	11.9	8.3	12.3	8.9	12.5	9.4	12.7	9.7	12.9	10.1	13.0	10.4
	14	10.1	7.9	10.9	8.4	11.6	9.1	12.0	9.7	12.3	10.3	12.5	10.5	12.7	10.9	12.8	11.2
	16			10.6	9.3	11.3	9.9	11.8	10.5	12.1	11.1	12.3	11.4	12.5	11.7	12.7	12.0
280-56	2	18.6	3.5	18.9	4.0	19.1	4.8	19.3	5.5	19.3	6.1	19.4	6.4	19.5	6.8	19.5	7.1
	4	17.7	4.6	18.2	5.2	18.6	6.0	18.8	6.6	18.9	7.3	19.0	7.5	19.1	8.0	19.2	8.3
	6	16.9	5.8	17.6	6.4	18.0	7.1	18.3	7.8	18.6	8.4	18.7	8.7	18.8	9.1	18.9	9.4
	8	16.2	7.0	17.0	7.6	17.6	8.3	18.0	9.0	18.2	9.6	18.4	9.9	18.6	10.3	18.7	10.6
	10			16.4	8.7	17.2	9.5	17.6	10.1	17.9	10.8	18.1	11.0	18.3	11.5	18.5	11.8



U.S. STANDARD

Speed n=1150 rpm

Specification	Pressure ΔP PSI	Viscosity (mm ² /s) (cSt)															
		75		150		300		500		750		1000		1500		2000	
		Capacity GPM	Power HP	Capacity GPM	Power HP	Capacity GPM	Power HP	Capacity GPM	Power HP	Capacity GPM	Power HP	Capacity GPM	Power HP	Capacity GPM	Power HP	Capacity GPM	Power HP
360-30	29.0	48.0	3.3	48.9	3.9	49.3	4.7	49.3	5.4	49.8	6.1	49.8	6.4	49.8	6.8	49.8	7.2
	43.5	47.1	3.7	48.0	4.4	48.4	5.1	48.9	5.9	49.3	6.5	49.3	6.8	49.3	7.3	49.8	7.6
	58.0	46.2	4.2	47.1	4.8	48.0	5.6	48.4	6.3	48.9	7.0	48.9	7.2	49.3	7.7	49.3	8.0
	72.5	45.3	4.6	46.2	5.2	47.6	6.0	48.0	6.7	48.4	7.4	48.4	7.7	48.9	8.1	48.9	8.5
	87.0	44.5	5.0	45.8	5.6	46.7	6.4	47.6	7.2	48.0	7.8	48.0	8.1	48.4	8.6	48.9	8.9
	101.5	43.6	5.4	45.3	6.1	46.2	6.9	47.1	7.6	47.6	8.2	48.0	8.5	48.4	9.0	48.4	9.3
	116.0	42.9	5.9	44.5	6.5	45.8	7.3	46.7	8.0	47.1	8.7	47.6	9.0	48.0	9.4	48.4	9.7
	130.5	42.1	6.3	43.9	6.9	45.3	7.7	46.2	8.4	46.7	9.1	47.1	9.4	47.6	9.9	48.0	10.2
	145.0	41.4	6.7	43.4	7.4	44.9	8.2	45.8	8.9	46.7	9.5	47.1	9.8	47.6	10.3	47.6	10.6
360-40	29.0	64.3	3.6	65.2	4.3	65.6	5.1	66.0	5.8	66.5	6.5	66.5	6.8	66.5	7.2	66.9	7.6
	43.5	63.4	4.2	64.3	4.8	65.2	5.6	65.6	6.4	65.6	7.0	66.0	7.3	66.0	7.8	66.5	8.1
	58.0	62.1	4.8	63.4	5.4	64.3	6.2	64.7	6.9	65.2	7.6	65.6	7.9	65.6	8.4	66.0	8.7
	72.5	61.2	5.3	62.5	6.0	63.4	6.8	64.3	7.5	64.7	8.2	65.2	8.5	65.2	9.0	65.6	9.3
	87.0	59.9	5.9	61.6	6.6	63.0	7.4	63.8	8.1	64.3	8.8	64.7	9.1	65.2	9.5	65.2	9.9
	101.5	59.0	6.5	60.8	7.1	62.5	7.9	63.4	8.7	63.8	9.3	64.3	9.6	64.7	10.1	65.2	10.4
	116.0	58.1	7.1	60.3	7.7	61.6	8.5	62.5	9.2	63.4	9.9	63.8	10.2	64.3	10.7	64.7	11.0
360-60	29.0	96.9	4.3	97.7	4.9	98.6	5.8	99.1	6.5	99.5	7.2	99.5	7.5	99.9	8.0	99.9	8.4
	43.5	95.1	5.1	96.4	5.8	97.7	6.6	98.2	7.4	98.6	8.1	99.1	8.4	99.1	8.9	99.5	9.2
	58.0	93.8	6.0	95.1	6.7	96.4	7.5	97.3	8.2	97.7	8.9	98.2	9.3	98.6	9.7	99.1	10.1
	72.5	92.5	6.9	94.2	7.5	95.5	8.4	96.4	9.1	97.3	9.8	97.7	10.1	98.2	10.6	98.6	10.9
	87.0	90.7	7.7	92.9	8.4	94.7	9.2	96.0	10.0	96.4	10.7	96.9	11.0	97.7	11.5	97.7	11.8
360-80	29.0	128.1	5.0	129.9	5.8	130.8	6.7	131.6	7.5	132.1	8.2	132.5	8.5	133.0	9.1	133.4	9.4
	43.5	125.5	6.2	127.7	6.9	129.4	7.8	130.3	8.6	130.8	9.4	131.2	9.7	132.1	10.2	132.1	10.6
	58.0	122.8	7.3	125.5	8.1	127.7	9.0	129.0	9.8	129.9	10.5	130.3	10.8	131.2	11.4	131.6	11.7
	72.5			123.7	9.2	126.4	10.1	127.7	10.9	128.6	11.7	129.4	12.0	130.3	12.5	130.8	12.9

Blackmer reserves the right to change the data in the table without prior notice.

Speed n=1150 rpm

METRIC

Specification	Pressure ΔP bar	Viscosity (mm ² /s) (cSt)															
		75		150		300		500		750		1000		1500		2000	
		Capacity m ³ /h	Power kW	Capacity m ³ /h	Power kW	Capacity m ³ /h	Power kW	Capacity m ³ /h	Power kW	Capacity m ³ /h	Power kW	Capacity m ³ /h	Power kW	Capacity m ³ /h	Power kW	Capacity m ³ /h	Power kW
360-30	2	10.9	2.5	11.1	2.9	11.2	3.5	11.2	4.1	11.3	4.5	11.3	4.8	11.3	5.1	11.3	5.4
	3	10.7	2.8	10.9	3.3	11.0	3.8	11.1	4.4	11.2	4.9	11.2	5.1	11.2	5.4	11.3	5.7
	4	10.5	3.1	10.7	3.6	10.9	4.2	11.0	4.7	11.1	5.2	11.1	5.4	11.2	5.8	11.2	6.0
	5	10.3	3.4	10.5	3.9	10.8	4.5	10.9	5.0	11.0	5.5	11.0	5.7	11.1	6.1	11.1	6.3
	6	10.1	3.7	10.4	4.2	10.6	4.8	10.8	5.3	10.9	5.8	10.9	6.1	11.0	6.4	11.1	6.6
	7	9.9	4.1	10.3	4.5	10.5	5.1	10.7	5.7	10.8	6.2	10.9	6.4	11.0	6.7	11.0	7.0
	8	9.7	4.4	10.1	4.9	10.4	5.4	10.6	6.0	10.7	6.5	10.8	6.7	10.9	7.0	11.0	7.3
	9	9.6	4.7	10.0	5.2	10.3	5.8	10.5	6.3	10.6	6.8	10.7	7.0	10.8	7.4	10.9	7.6
	10	9.4	5.0	9.9	5.5	10.2	6.1	10.4	6.6	10.6	7.1	10.7	7.3	10.8	7.7	10.8	7.9
	360-40	2	14.6	2.7	14.8	3.2	14.9	3.8	15.0	4.3	15.1	4.8	15.1	5.1	15.1	5.4	15.2
3		14.4	3.1	14.6	3.6	14.8	4.2	14.9	4.8	14.9	5.3	15.0	5.5	15.0	5.8	15.1	6.1
4		14.1	3.6	14.4	4.0	14.6	4.6	14.7	5.2	14.8	5.7	14.9	5.9	14.9	6.3	15.0	6.5
5		13.9	4.0	14.2	4.5	14.4	5.1	14.6	5.6	14.7	6.1	14.8	6.3	14.8	6.7	14.9	6.9
6		13.6	4.4	14.0	4.9	14.3	5.5	14.5	6.0	14.6	6.5	14.7	6.8	14.8	7.1	14.8	7.4
7		13.4	4.8	13.8	5.3	14.2	5.9	14.4	6.5	14.5	7.0	14.6	7.2	14.7	7.5	14.8	7.8
8		13.2	5.3	13.7	5.8	14.0	6.4	14.2	6.9	14.4	7.4	14.5	7.6	14.6	8.0	14.7	8.2
360-60		2	22.0	3.2	22.2	3.7	22.4	4.3	22.5	4.9	22.6	5.4	22.6	5.6	22.7	6.0	22.7
	3	21.6	3.8	21.9	4.3	22.2	5.0	22.3	5.5	22.4	6.0	22.5	6.3	22.5	6.6	22.6	6.9
	4	21.3	4.5	21.6	5.0	21.9	5.6	22.1	6.2	22.2	6.7	22.3	6.9	22.4	7.3	22.5	7.5
	5	21.0	5.1	21.4	5.6	21.7	6.2	21.9	6.8	22.1	7.3	22.2	7.5	22.3	7.9	22.4	8.2
	6	20.6	5.8	21.1	6.2	21.5	6.9	21.8	7.4	21.9	8.0	22.0	8.2	22.2	8.5	22.2	8.8
	360-80	2	29.1	3.8	29.5	4.3	29.7	5.0	29.9	5.6	30.0	6.1	30.1	6.4	30.2	6.8	30.3
3		28.5	4.6	29.0	5.2	29.4	5.8	29.6	6.4	29.7	7.0	29.8	7.2	30.0	7.6	30.0	7.9
4		27.9	5.5	28.5	6.0	29.0	6.7	29.3	7.3	29.5	7.8	29.6	8.1	29.8	8.5	29.9	8.7
5				28.1	6.9	28.7	7.5	29.0	8.1	29.2	8.7	29.4	8.9	29.6	9.3	29.7	9.6
6																	



2 H SERIES

560 PERFORMANCE @ 60Hz

U.S. STANDARD

Speed n=1150 rpm

Specification	Pressure ΔP PSI	Viscosity (mm ² /s) (cSt)															
		75		150		300		500		750		1000		1500		2000	
		Capacity GPM	Power HP	Capacity GPM	Power HP	Capacity GPM	Power HP	Capacity GPM	Power HP	Capacity GPM	Power HP	Capacity GPM	Power HP	Capacity GPM	Power HP	Capacity GPM	Power HP
560-25	29.0	58.1	4.2	59.0	5.0	59.4	6.0	59.9	6.9	60.3	7.7	60.3	8.1	60.8	8.6	60.8	9.1
	58.0	55.0	5.3	56.8	6.1	57.7	7.1	58.6	8.0	59.0	8.8	59.0	9.2	59.4	9.7	59.9	10.2
	87.0	52.8	6.4	54.6	7.2	56.4	8.2	57.2	9.1	57.7	9.9	58.1	10.3	58.6	10.9	59.0	11.3
	116.0	50.6	7.5	52.8	8.3	54.6	9.3	55.9	10.2	56.8	11.0	57.2	11.4	57.7	12.0	58.1	12.4
	145.0	48.4	8.6	51.1	9.4	53.7	10.4	55.0	11.3	55.9	12.1	56.4	12.5	57.2	13.1	57.7	13.5
	174.0	46.7	9.7	49.8	10.5	52.4	11.5	53.7	12.4	55.0	13.2	55.5	13.5	56.4	14.2	56.8	14.6
	203.1	44.5	10.8	48.0	11.6	51.1	12.6	52.8	13.5	54.2	14.3	54.6	14.8	55.5	15.3	56.4	15.7
	232.1	42.8	11.9	46.7	12.7	49.8	13.7	52.0	14.6	53.3	15.4	53.7	15.8	55.0	16.4	55.5	16.8
	261.1	41.0	13.0	45.3	13.8	48.9	14.8	50.6	15.7	52.4	16.5	53.3	16.9	54.2	17.4	55.0	17.8
	290.1	39.2	14.1	43.9	14.9	47.6	16.0	49.8	16.8	51.5	17.7	52.4	18.0	53.7	18.6	54.6	19.0
	319.1			42.6	16.0	46.7	17.0	48.9	18.0	50.6	18.8	51.5	19.2	52.8	19.7	53.7	20.1
348.1			41.3	17.2	45.8	18.1	48.0	19.0	49.8	19.8	51.1	20.2	52.4	20.8	53.3	21.2	
560-34	29.0	78.4	5.0	79.3	5.9	80.1	7.0	80.6	8.0	81.0	9.0	81.0	9.4	81.5	10.1	81.5	10.5
	58.0	75.3	6.4	76.6	7.3	77.9	8.5	78.8	9.5	79.3	10.5	79.7	10.9	80.1	11.5	80.1	12.0
	87.0	72.6	7.9	74.4	8.8	76.2	10.0	77.5	11.0	77.9	11.9	78.4	12.4	79.3	13.0	79.3	13.5
	116.0	70.0	9.4	72.6	10.3	74.8	11.4	76.2	12.5	77.0	13.4	77.5	13.8	77.9	14.5	78.4	15.0
	145.0	67.4	10.9	70.9	11.8	73.1	12.9	74.8	13.9	75.7	14.9	76.6	15.3	77.5	16.0	77.9	16.5
	174.0	65.2	12.4	69.1	13.2	71.8	14.3	73.5	15.4	74.8	16.4	75.3	16.8	76.6	17.4	77.0	18.0
	203.1	63.0	13.8	67.4	14.8	70.4	15.8	72.6	16.9	74.0	17.8	74.4	18.2	75.7	18.9	76.2	19.4
	232.1	61.2	15.3	65.6	16.2	69.1	17.3	71.3	18.4	72.6	19.3	73.5	19.7	74.8	20.4	75.7	20.9
	261.1	59.0	16.8	63.8	17.7	67.8	18.8	70.4	19.8	71.8	20.8	73.1	21.2	74.0	21.9	74.8	22.4
	290.1	0.0	0.0	62.5	19.2	66.5	20.2	69.1	21.3	70.9	22.3	72.2	22.7	73.5	23.3	74.4	23.9
560-50	29.0	117.1	6.1	118.9	7.1	119.8	8.3	120.6	9.5	121.1	10.5	121.5	11.0	122.0	11.7	122.0	12.2
	58.0	112.3	8.3	114.9	9.3	116.7	10.5	118.0	11.7	118.9	12.7	119.3	13.2	120.2	13.9	120.2	14.5
	87.0	108.3	10.5	111.4	11.5	114.0	12.8	115.8	13.9	116.7	14.9	117.6	15.4	118.4	16.1	118.9	16.6
	116.0	104.3	12.7	108.3	13.7	111.8	15.0	113.6	16.1	114.9	17.2	115.8	17.6	117.1	18.4	117.6	18.9
	145.0	100.8	14.9	105.7	16.0	109.6	17.2	111.8	18.4	113.2	19.3	114.5	19.8	115.8	20.5	116.2	21.1
	174.0	97.3	17.2	102.6	18.1	107.4	19.4	110.1	20.5	111.8	21.6	112.7	22.0	114.5	22.8	115.4	23.3
	203.1	93.8	19.3	99.9	20.4	105.2	21.6	108.3	22.8	110.1	23.7	111.4	24.3	113.2	24.9	114.0	25.5
	232.1	0.0	0.0	97.7	22.5	103.0	23.9	106.5	24.9	108.7	26.0	110.1	26.4	111.8	27.2	113.2	27.8
560-72	29.0	169.1	8.0	171.3	9.3	172.6	10.8	173.9	12.3	174.4	13.5	174.8	14.2	175.2	15.0	175.7	15.7
	58.0	162.0	11.2	165.5	12.5	168.2	14.1	169.9	15.4	171.3	16.8	171.7	17.3	173.0	18.2	173.5	18.9
	87.0	155.9	14.3	160.7	15.7	164.7	17.2	166.9	18.6	168.2	20.0	169.5	20.5	170.4	21.5	171.3	22.1
	116.0	150.1	17.6	156.3	18.9	161.1	20.4	163.8	21.9	166.0	23.2	166.9	23.7	168.6	24.7	169.5	25.3
	145.0	0.0	0.0	152.3	22.0	157.6	23.6	161.1	25.1	163.3	26.3	164.7	27.0	166.4	27.9	167.7	28.4

Blackmer reserves the right to change the data in the table without prior notice.

Speed n=1150 rpm

METRIC

Specification	Pressure ΔP bar	Viscosity (mm ² /s) (cSt)															
		75		150		300		500		750		1000		1500		2000	
		Capacity m ³ /h	Power kW	Capacity m ³ /h	Power kW	Capacity m ³ /h	Power kW	Capacity m ³ /h	Power kW	Capacity m ³ /h	Power kW	Capacity m ³ /h	Power kW	Capacity m ³ /h	Power kW	Capacity m ³ /h	Power kW
560-25	2	13.2	3.1	13.4	3.7	13.5	4.5	13.6	5.1	13.7	5.7	13.7	6.0	13.8	6.5	13.8	6.8
	4	12.5	3.9	12.9	4.5	13.1	5.3	13.3	6.0	13.4	6.6	13.4	6.8	13.5	7.3	13.6	7.6
	6	12.0	4.8	12.4	5.4	12.8	6.1	13.0	6.8	13.1	7.4	13.2	7.7	13.3	8.1	13.4	8.4
	8	11.5	5.6	12.0	6.2	12.4	6.9	12.7	7.6	12.9	8.2	13.0	8.5	13.1	8.9	13.2	9.2
	10	11.0	6.4	11.6	7.0	12.2	7.7	12.5	8.4	12.7	9.0	12.8	9.3	13.0	9.8	13.1	10.1
	12	10.6	7.2	11.3	7.8	11.9	8.6	12.2	9.2	12.5	9.9	12.6	10.1	12.8	10.6	12.9	10.9
	14	10.1	8.1	10.9	8.6	11.6	9.4	12.0	10.1	12.3	10.7	12.4	11.0	12.6	11.4	12.8	11.7
	16	9.7	8.9	10.6	9.5	11.3	10.2	11.8	10.9	12.1	11.5	12.2	11.8	12.5	12.2	12.6	12.5
	18	9.3	9.7	10.3	10.3	11.1	11.0	11.5	11.7	11.9	12.3	12.1	12.6	12.3	13.0	12.5	13.3
	20	8.9	10.5	10.0	11.1	10.8	11.9	11.3	12.5	11.7	13.2	11.9	13.4	12.2	13.9	12.4	14.2
	22			9.7	11.9	10.6	12.7	11.1	13.4	11.5	14.0	11.7	14.3	12.0	14.7	12.2	15.0
24			9.4	12.8	10.4	13.5	10.9	14.2	11.3	14.8	11.6	15.1	11.9	15.5	12.1	15.8	
560-34	2	17.8	3.7	18.0	4.4	18.2	5.2	18.3	6.0	18.4	6.7	18.4	7.0	18.5	7.5	18.5	7.9
	4	17.1	4.8	17.4	5.5	17.7	6.3	17.9	7.1	18.0	7.8	18.1	8.1	18.2	8.6	18.2	9.0
	6	16.5	5.9	16.9	6.6	17.3	7.4	17.6	8.2	17.7	8.9	17.8	9.2	18.0	9.7	18.0	10.1
	8	15.9	7.0	16.5	7.7	17.0	8.5	17.3	9.3	17.5	10.0	17.6	10.3	17.7	10.8	17.8	11.2
	10	15.3	8.1	16.1	8.8	16.6	9.6	17.0	10.4	17.2	11.1	17.4	11.4	17.6	11.9	17.7	12.3
	12	14.8	9.2	15.7	9.9	16.3	10.7	16.7	11.5	17.0	12.2	17.1	12.5	17.4	13.0	17.5	13.4
	14	14.3	10.3	15.3	11.0	16.0	11.8	16.5	12.6	16.8	13.3	16.9	13.6	17.2	14.1	17.3	14.5
	16	13.9	11.4	14.9	12.1	15.7	12.9	16.2	13.7	16.5	14.4	16.7	14.7	17.0	15.2	17.2	15.6
	18	13.4	12.5	14.5	13.2	15.4	14.0	16.0	14.8	16.3	15.5	16.6	15.8	16.8	16.3	17.0	16.7
	20			14.2	14.3	15.1	15.1	15.7	15.9	16.1	16.6	16.4	16.9	16.7	17.4	16.9	17.8
560-50	2	26.6	4.5	27.0	5.3	27.2	6.2	27.4	7.1	27.5	7.8	27.6	8.2	27.7	8.7	27.7	9.1
	4	25.5	6.2	26.1	6.9	26.5	7.9	26.8	8.7	27.0	9.5	27.1	9.8	27.3	10.4	27.3	10.8
	6	24.6	7.8	25.3	8.6	25.9	9.5	26.3	10.4	26.5	11.1	26.7	11.5	26.9	12.0	27.0	12.4
	8	23.7	9.5	24.6	10.2	25.4	11.2	25.8	12.0	26.1	12.8	26.3	13.1	26.6	13.7	26.7	14.1
	10	22.9	11.1	24.0	11.9	24.9	12.8	25.4	13.7	25.7	14.4	26.0	14.8	26.3	15.3	26.4	15.7
	12	22.1	12.8	23.3	13.5	24.4	14.5	25.0	15.3	25.4	16.1	25.6	16.4	26.0	17.0	26.2	17.4
	14	21.3	14.4	22.7	15.2	23.9	16.1	24.6	17.0	25.0	17.7	25.3	18.1	25.7	18.6	25.9	19.0
	16			22.2	16.8	23.4	17.8	24.2	18.6	24.7	19.4	25.0	19.7	25.4	20.3	25.7	20.7
560-72	2	38.4	6.0	38.9	6.9	39.2	8.1	39.5	9.2	39.6	10.1	39.7	10.6	39.8	11.2	39.9	11.7
	4	36.8	8.4	37.6	9.3	38.2	10.5	38.6	11.5	38.9	12.5	39.0	12.9	39.3	13.6	39.4	14.1
	6	35.4	10.7	36.5	11.7	37.4	12.8	37.9	13.9	38.2	14.9	38.5	15.3	38.7	16.0	38.9	16.5
	8	34.1	13.1	35.5	14.1	36.6	15.2	37.2	16.3	37.7	17.3	37.9	17.7	38.3	18.4	38.5	18.9
	10			34.6	16.4	35.8	17.6	36.6	18.7	37.1	19.6	37.4	20.1	37.8	20.8	38.1	21.2



2 H SERIES

800 PERFORMANCE @ 60Hz

U.S. STANDARD

Speed n=1150 rpm

Specification	Pressure ΔP PSI	Viscosity (mm ² /s) (cSt)															
		75		150		300		500		750		1000		1500		2000	
		Capacity GPM	Power HP	Capacity GPM	Power HP	Capacity GPM	Power HP	Capacity GPM	Power HP	Capacity GPM	Power HP	Capacity GPM	Power HP	Capacity GPM	Power HP	Capacity GPM	Power HP
800-30	29.0	101.7	8.7	102.6	10.4	103.5	12.6	104.3	14.6	104.3	16.5	104.8	17.3	105.2	18.5	105.2	19.4
	58.0	97.7	10.6	99.5	12.3	101.3	14.5	102.1	16.5	102.6	18.4	103.0	19.2	103.5	20.5	103.9	21.3
	87.0	94.2	12.5	96.9	14.2	99.1	16.5	100.4	18.5	101.3	20.2	101.7	21.1	102.6	22.4	103.0	23.3
	116.0	91.1	14.3	94.7	16.1	97.3	18.4	98.6	20.4	99.9	22.1	100.4	23.1	101.3	24.3	101.7	25.2
	145.0	88.5	16.4	92.0	18.1	95.1	20.2	97.3	22.3	98.2	24.1	99.1	24.9	100.4	26.1	100.8	27.1
	174.0	85.4	18.2	89.8	20.0	93.3	22.1	95.5	24.1	97.3	26.0	98.2	26.8	99.1	28.2	99.9	29.0
	203.1	82.8	20.1	88.1	21.9	92.0	24.1	94.2	26.0	96.0	27.9	96.9	28.7	98.2	30.0	99.1	31.0
	232.1	80.1	22.0	85.9	23.7	90.3	26.0	92.9	28.0	94.7	29.8	96.0	30.6	97.3	31.9	98.2	32.9
	261.1	77.9	23.9	84.1	25.7	88.5	27.9	91.6	29.9	93.3	31.8	94.7	32.6	96.4	33.8	97.3	34.7
	290.1	0.0	0.0	81.9	27.6	87.2	29.8	90.3	31.8	92.5	33.7	93.8	34.5	95.5	35.7	96.4	36.6
	319.1	0.0	0.0	0.0	0.0	85.9	31.8	88.9	33.7	91.1	35.5	92.9	36.3	94.7	37.7	95.5	38.5
	348.1	0.0	0.0	0.0	0.0	84.1	33.7	88.1	35.7	90.3	37.4	92.0	38.2	93.8	39.6	95.1	40.5
800-40	29.0	136.5	9.7	137.8	11.6	139.1	13.9	139.6	16.1	140.0	18.0	140.4	18.9	140.9	20.2	140.9	21.2
	58.0	131.6	12.3	134.3	14.2	136.0	16.5	137.4	18.6	137.8	20.5	138.2	21.5	139.1	22.8	139.6	23.7
	87.0	127.7	14.9	130.8	16.8	133.4	19.0	135.2	21.2	136.0	23.1	136.9	24.0	137.4	25.3	138.2	26.3
	116.0	123.7	17.4	128.1	19.3	131.2	21.6	133.0	23.7	134.3	25.6	135.2	26.6	136.0	27.9	136.9	28.8
	145.0	120.2	20.0	125.0	21.9	129.0	24.1	131.2	26.3	132.5	28.3	133.8	29.1	134.7	30.4	135.6	31.4
	174.0	117.1	22.5	122.4	24.4	126.8	26.7	129.4	28.8	131.2	30.8	132.1	31.6	133.4	33.0	134.3	33.9
	203.1	113.6	25.1	119.8	27.0	124.6	29.2	127.7	31.4	129.4	33.4	130.8	34.2	132.5	35.5	133.4	36.5
	232.1	110.5	27.6	117.6	29.5	122.8	31.8	125.9	33.9	128.1	35.9	129.4	36.7	131.2	38.1	132.5	39.0
	261.1	0.0	0.0	114.9	32.0	120.6	34.3	124.2	36.5	126.8	38.5	128.1	39.3	130.3	40.6	131.2	41.6
	290.1	0.0	0.0	0.0	0.0	118.9	36.9	122.8	39.0	125.5	41.0	127.2	41.8	129.0	43.2	130.3	44.1
800-60	29.0	205.2	11.9	206.9	14.1	208.3	16.8	209.1	19.2	210.0	21.3	210.5	22.3	210.9	23.9	211.3	24.9
	58.0	198.6	15.8	201.6	17.8	204.3	20.5	206.1	22.9	206.9	25.2	207.8	26.1	208.7	27.6	209.1	28.7
	87.0	193.3	19.6	197.2	21.7	200.8	24.4	203.0	26.7	204.3	29.0	205.2	29.9	206.5	31.5	207.4	32.6
	116.0	188.0	23.3	193.3	25.5	197.7	28.2	200.3	30.6	202.1	32.7	203.4	33.8	204.7	35.3	205.6	36.3
	145.0	183.2	27.2	189.8	29.4	194.6	32.0	197.7	34.3	199.9	36.6	201.2	37.5	203.0	39.2	203.8	40.2
	174.0	178.8	31.0	185.8	33.1	192.0	35.8	195.5	38.2	197.7	40.4	199.4	41.4	201.2	42.9	202.5	44.0
	203.1	174.4	34.9	182.3	37.0	188.9	39.6	192.8	42.0	195.5	44.3	197.2	45.2	199.4	46.8	200.8	47.9
	232.1	0.0	0.0	179.2	40.8	186.2	43.4	190.6	45.9	193.7	48.0	195.5	49.1	198.1	50.6	199.4	51.6
800-80	29.0	270.8	14.2	274.3	16.5	276.5	19.6	278.3	22.1	279.1	24.7	280.0	25.7	280.5	27.5	281.3	28.7
	58.0	260.6	19.3	265.9	21.6	269.9	24.7	272.5	27.2	274.3	29.8	275.6	30.8	276.9	32.6	277.8	33.8
	87.0	251.4	24.4	258.4	26.7	264.2	29.8	267.7	32.5	269.9	34.9	271.7	35.9	273.4	37.7	274.7	38.9
	116.0	243.0	29.5	251.8	31.8	258.9	34.9	263.3	37.5	266.4	40.0	268.1	41.0	270.3	42.8	271.7	44.0
	145.0	0.0	0.0	245.7	36.9	254.0	40.0	258.9	42.6	262.4	45.1	264.6	46.1	267.2	47.9	269.0	49.1

Blackmer reserves the right to change the data in the table without prior notice.



Speed n=1150 rpm

METRIC

Specification	Pressure ΔP bar	Viscosity (mm ² /s) (cSt)															
		75		150		300		500		750		1000		1500		2000	
		Capacity m ³ /h	Power kW	Capacity m ³ /h	Power kW	Capacity m ³ /h	Power kW	Capacity m ³ /h	Power kW	Capacity m ³ /h	Power kW	Capacity m ³ /h	Power kW	Capacity m ³ /h	Power kW	Capacity m ³ /h	Power kW
800-30	2	23.1	6.5	23.3	7.8	23.5	9.4	23.7	10.9	23.7	12.3	23.8	12.9	23.9	13.8	23.9	14.5
	4	22.2	7.9	22.6	9.2	23.0	10.8	23.2	12.3	23.3	13.7	23.4	14.3	23.5	15.3	23.6	15.9
	6	21.4	9.3	22.0	10.6	22.5	12.3	22.8	13.8	23.0	15.1	23.1	15.7	23.3	16.7	23.4	17.4
	8	20.7	10.7	21.5	12.0	22.1	13.7	22.4	15.2	22.7	16.5	22.8	17.2	23.0	18.1	23.1	18.8
	10	20.1	12.2	20.9	13.5	21.6	15.1	22.1	16.6	22.3	18.0	22.5	18.6	22.8	19.5	22.9	20.2
	12	19.4	13.6	20.4	14.9	21.2	16.5	21.7	18.0	22.1	19.4	22.3	20.0	22.5	21.0	22.7	21.6
	14	18.8	15.0	20.0	16.3	20.9	18.0	21.4	19.4	21.8	20.8	22.0	21.4	22.3	22.4	22.5	23.1
	16	18.2	16.4	19.5	17.7	20.5	19.4	21.1	20.9	21.5	22.2	21.8	22.8	22.1	23.8	22.3	24.5
	18	17.7	17.8	19.1	19.2	20.1	20.8	20.8	22.3	21.2	23.7	21.5	24.3	21.9	25.2	22.1	25.9
	20			18.6	20.6	19.8	22.2	20.5	23.7	21.0	25.1	21.3	25.7	21.7	26.6	21.9	27.3
	22					19.5	23.7	20.2	25.1	20.7	26.5	21.1	27.1	21.5	28.1	21.7	28.7
24					19.1	25.1	20.0	26.6	20.5	27.9	20.9	28.5	21.3	29.5	21.6	30.2	
800-40	2	31.0	7.3	31.3	8.7	31.6	10.4	31.7	12.0	31.8	13.4	31.9	14.1	32.0	15.1	32.0	15.8
	4	29.9	9.2	30.5	10.6	30.9	12.3	31.2	13.9	31.3	15.3	31.4	16.0	31.6	17.0	31.7	17.7
	6	29.0	11.1	29.7	12.5	30.3	14.2	30.7	15.8	30.9	17.2	31.1	17.9	31.2	18.9	31.4	19.6
	8	28.1	13.0	29.1	14.4	29.8	16.1	30.2	17.7	30.5	19.1	30.7	19.8	30.9	20.8	31.1	21.5
	10	27.3	14.9	28.4	16.3	29.3	18.0	29.8	19.6	30.1	21.1	30.4	21.7	30.6	22.7	30.8	23.4
	12	26.6	16.8	27.8	18.2	28.8	19.9	29.4	21.5	29.8	23.0	30.0	23.6	30.3	24.6	30.5	25.3
	14	25.8	18.7	27.2	20.1	28.3	21.8	29.0	23.4	29.4	24.9	29.7	25.5	30.1	26.5	30.3	27.2
	16	25.1	20.6	26.7	22.0	27.9	23.7	28.6	25.3	29.1	26.8	29.4	27.4	29.8	28.4	30.1	29.1
	18			26.1	23.9	27.4	25.6	28.2	27.2	28.8	28.7	29.1	29.3	29.6	30.3	29.8	31.0
	20					27.0	27.5	27.9	29.1	28.5	30.6	28.9	31.2	29.3	32.2	29.6	32.9
800-60	2	46.6	8.9	47.0	10.5	47.3	12.5	47.5	14.3	47.7	15.9	47.8	16.6	47.9	17.8	48.0	18.6
	4	45.1	11.8	45.8	13.3	46.4	15.3	46.8	17.1	47.0	18.8	47.2	19.5	47.4	20.6	47.5	21.4
	6	43.9	14.6	44.8	16.2	45.6	18.2	46.1	19.9	46.4	21.6	46.6	22.3	46.9	23.5	47.1	24.3
	8	42.7	17.4	43.9	19.0	44.9	21.0	45.5	22.8	45.9	24.4	46.2	25.2	46.5	26.3	46.7	27.1
	10	41.6	20.3	43.1	21.9	44.2	23.9	44.9	25.6	45.4	27.3	45.7	28.0	46.1	29.2	46.3	30.0
	12	40.6	23.1	42.2	24.7	43.6	26.7	44.4	28.5	44.9	30.1	45.3	30.9	45.7	32.0	46.0	32.8
	14	39.6	26.0	41.4	27.6	42.9	29.5	43.8	31.3	44.4	33.0	44.8	33.7	45.3	34.9	45.6	35.7
	16			40.7	30.4	42.3	32.4	43.3	34.2	44.0	35.8	44.4	36.6	45.0	37.7	45.3	38.5
800-80	2	61.5	10.6	62.3	12.3	62.8	14.6	63.2	16.5	63.4	18.4	63.6	19.2	63.7	20.5	63.9	21.4
	4	59.2	14.4	60.4	16.1	61.3	18.4	61.9	20.3	62.3	22.2	62.6	23.0	62.9	24.3	63.1	25.2
	6	57.1	18.2	58.7	19.9	60.0	22.2	60.8	24.2	61.3	26.0	61.7	26.8	62.1	28.1	62.4	29.0
	8	55.2	22.0	57.2	23.7	58.8	26.0	59.8	28.0	60.5	29.8	60.9	30.6	61.4	31.9	61.7	32.8
	10			55.8	27.5	57.7	29.8	58.8	31.8	59.6	33.6	60.1	34.4	60.7	35.7	61.1	36.6

Blackmer reserves the right to change the data in the table without prior notice.



2 H SERIES

1400 PERFORMANCE @ 60Hz

U.S. STANDARD

Speed n=1150 rpm

Specification	Pressure ΔP PSI	Viscosity (mm ² /s) (cSt)															
		75		150		300		500		750		1000		1500		2000	
		Capacity GPM	Power HP	Capacity GPM	Power HP	Capacity GPM	Power HP	Capacity GPM	Power HP	Capacity GPM	Power HP	Capacity GPM	Power HP	Capacity GPM	Power HP	Capacity GPM	Power HP
1400-38	29.0	191.1	10.3	192.8	12.1	194.2	14.3	195.0	16.4	195.5	18.1	195.9	18.9	196.4	20.2	196.4	21.2
	58.0	185.8	13.8	188.4	15.7	190.6	17.8	192.0	19.8	192.8	21.7	193.3	22.5	194.2	23.7	194.6	24.7
	87.0	181.4	17.4	184.9	19.2	188.0	21.5	189.8	23.3	190.6	25.2	191.5	26.0	192.4	27.4	192.8	28.3
	116.0	177.0	20.9	181.4	22.7	184.9	24.9	187.1	27.0	188.9	28.8	189.8	29.6	191.1	30.8	191.5	31.8
	145.0	173.0	24.5	178.3	26.3	182.7	28.4	184.9	30.4	186.7	32.3	188.0	33.1	189.3	34.5	190.2	35.4
	174.0	169.1	28.0	175.2	29.8	180.1	32.0	183.2	34.1	184.9	35.9	186.2	36.7	188.0	38.0	188.9	38.9
	203.1	165.1	31.6	172.1	33.4	177.9	35.5	181.0	37.5	183.6	39.4	184.9	40.2	186.7	41.6	187.6	42.4
	232.1	161.6	35.1	169.5	36.9	175.7	39.2	179.2	41.2	181.8	42.9	183.2	43.7	185.4	45.1	186.7	46.0
	261.1	158.5	38.6	166.9	40.5	173.5	42.6	177.4	44.7	180.1	46.5	181.8	47.3	184.0	48.5	185.4	49.5
	290.1	155.0	42.2	164.2	44.0	171.3	46.3	175.7	48.3	178.8	50.0	180.5	50.8	182.7	52.2	184.5	53.1
	319.1	151.9	45.7	161.6	47.5	169.1	49.8	173.9	51.8	177.0	53.6	179.2	54.4	181.4	55.7	183.2	56.6
348.1			158.9	51.1	167.3	53.2	172.1	55.2	175.7	57.1	177.9	57.9	180.5	59.3	182.3	60.2	
1400-50	29.0	256.7	12.3	258.4	14.3	259.8	16.8	260.6	19.0	261.1	21.1	261.5	22.0	262.0	23.5	262.4	24.5
	58.0	250.5	17.0	253.6	19.0	256.2	21.5	257.6	23.7	258.4	25.9	259.3	26.7	259.8	28.2	260.2	29.2
	87.0	245.2	21.7	249.6	23.7	252.7	26.3	254.9	28.4	256.2	30.6	257.1	31.5	258.0	32.9	258.4	33.9
	116.0	240.4	26.6	245.7	28.4	249.6	31.0	252.3	33.3	253.6	35.3	254.9	36.2	256.2	37.7	257.1	38.6
	145.0	236.0	31.2	242.2	33.3	247.0	35.7	249.6	38.0	251.8	40.0	253.2	40.9	254.5	42.4	255.4	43.4
	174.0	231.6	35.9	238.6	38.0	243.9	40.4	247.4	42.6	249.6	44.8	251.0	45.6	252.7	47.1	254.0	48.1
	203.1	227.6	40.6	235.1	42.6	241.3	45.2	245.2	47.3	247.9	49.5	249.2	50.4	251.4	51.8	252.7	52.8
	232.1	223.7	45.5	232.0	47.3	239.1	49.9	243.0	52.2	246.1	54.2	247.9	55.1	250.1	56.6	251.4	57.5
	261.1	219.7	50.2	228.9	52.2	236.4	54.6	240.8	56.9	243.9	58.9	246.1	59.8	248.3	61.3	250.1	62.4
	290.1			225.9	56.9	234.2	59.3	239.1	61.6	242.2	63.7	244.4	64.5	247.0	66.0	248.8	67.1
1400-75	29.0	384.4	16.2	387.0	18.5	389.6	21.5	391.0	24.1	391.8	26.7	392.3	27.8	393.2	29.5	393.6	30.7
	58.0	375.1	23.2	380.0	25.6	383.5	28.6	385.7	31.2	387.4	33.8	388.3	34.9	389.6	36.6	390.5	37.8
	87.0	366.8	30.3	373.4	32.7	378.2	35.7	381.3	38.4	383.5	40.8	384.8	42.0	386.6	43.6	387.4	44.9
	116.0	359.3	37.4	367.2	39.8	373.8	42.8	377.3	45.5	380.0	47.9	381.7	49.1	383.9	50.7	385.2	51.9
	145.0	352.2	44.5	361.9	46.9	369.4	49.9	373.8	52.6	376.9	55.0	378.6	56.1	381.3	57.8	382.6	59.0
	174.0	345.6	51.6	356.6	54.0	365.0	57.0	370.3	59.7	373.8	62.1	376.0	63.2	378.6	64.9	380.4	66.1
	203.1	339.0	58.7	351.3	61.0	361.0	64.1	366.8	66.8	370.7	69.2	373.4	70.3	376.4	72.0	378.2	73.2
	232.1			346.5	68.1	357.1	71.1	363.7	73.8	367.6	76.3	370.7	77.4	374.2	79.1	376.4	80.3
1400-96	29.0	486.1	19.2	490.5	21.9	494.0	25.1	496.2	28.2	497.5	30.8	498.4	32.0	499.7	34.1	500.2	35.4
	58.0	471.5	28.2	479.0	30.8	484.7	34.2	488.3	37.1	490.9	40.0	492.2	41.2	494.0	43.0	495.3	44.4
	87.0	458.3	37.3	468.5	39.8	476.8	43.2	481.7	46.1	484.7	48.9	486.9	50.2	489.6	52.0	490.9	53.5
	116.0			459.2	48.9	469.3	52.3	475.1	55.2	479.5	57.9	481.7	59.3	485.2	61.1	486.9	62.5
	145.0			450.4	57.9	462.3	61.3	469.3	64.2	474.2	67.1	477.3	68.3	481.2	70.1	483.4	71.5

Blackmer reserves the right to change the data in the table without prior notice.



Speed n=1150 rpm

METRIC

Specification	Pressure ΔP bar	Viscosity (mm ² /s) (cSt)															
		75		150		300		500		750		1000		1500		2000	
		Capacity m ³ /h	Power kW	Capacity m ³ /h	Power kW	Capacity m ³ /h	Power kW	Capacity m ³ /h	Power kW	Capacity m ³ /h	Power kW	Capacity m ³ /h	Power kW	Capacity m ³ /h	Power kW	Capacity m ³ /h	Power kW
1400-38	2	43.4	7.7	43.8	9.0	44.1	10.7	44.3	12.2	44.4	13.5	44.5	14.1	44.6	15.1	44.6	15.8
	4	42.2	10.3	42.8	11.7	43.3	13.3	43.6	14.8	43.8	16.2	43.9	16.8	44.1	17.7	44.2	18.4
	6	41.2	13.0	42.0	14.3	42.7	16.0	43.1	17.4	43.3	18.8	43.5	19.4	43.7	20.4	43.8	21.1
	8	40.2	15.6	41.2	16.9	42.0	18.6	42.5	20.1	42.9	21.5	43.1	22.1	43.4	23.0	43.5	23.7
	10	39.3	18.3	40.5	19.6	41.5	21.2	42.0	22.7	42.4	24.1	42.7	24.7	43.0	25.7	43.2	26.4
	12	38.4	20.9	39.8	22.2	40.9	23.9	41.6	25.4	42.0	26.8	42.3	27.4	42.7	28.3	42.9	29.0
	14	37.5	23.6	39.1	24.9	40.4	26.5	41.1	28.0	41.7	29.4	42.0	30.0	42.4	31.0	42.6	31.6
	16	36.7	26.2	38.5	27.5	39.9	29.2	40.7	30.7	41.3	32.0	41.6	32.6	42.1	33.6	42.4	34.3
	18	36.0	28.8	37.9	30.2	39.4	31.8	40.3	33.3	40.9	34.7	41.3	35.3	41.8	36.2	42.1	36.9
	20	35.2	31.5	37.3	32.8	38.9	34.5	39.9	36.0	40.6	37.3	41.0	37.9	41.5	38.9	41.9	39.6
	22	34.5	34.1	36.7	35.4	38.4	37.1	39.5	38.6	40.2	40.0	40.7	40.6	41.2	41.5	41.6	42.2
24			36.1	38.1	38.0	39.7	39.1	41.2	39.9	42.6	40.4	43.2	41.0	44.2	41.4	44.9	
1400-50	2	58.3	9.2	58.7	10.7	59.0	12.5	59.2	14.2	59.3	15.7	59.4	16.4	59.5	17.5	59.6	18.3
	4	56.9	12.7	57.6	14.2	58.2	16.0	58.5	17.7	58.7	19.3	58.9	19.9	59.0	21.0	59.1	21.8
	6	55.7	16.2	56.7	17.7	57.4	19.6	57.9	21.2	58.2	22.8	58.4	23.5	58.6	24.5	58.7	25.3
	8	54.6	19.8	55.8	21.2	56.7	23.1	57.3	24.8	57.6	26.3	57.9	27.0	58.2	28.1	58.4	28.8
	10	53.6	23.3	55.0	24.8	56.1	26.6	56.7	28.3	57.2	29.8	57.5	30.5	57.8	31.6	58.0	32.4
	12	52.6	26.8	54.2	28.3	55.4	30.1	56.2	31.8	56.7	33.4	57.0	34.0	57.4	35.1	57.7	35.9
	14	51.7	30.3	53.4	31.8	54.8	33.7	55.7	35.3	56.3	36.9	56.6	37.6	57.1	38.6	57.4	39.4
	16	50.8	33.9	52.7	35.3	54.3	37.2	55.2	38.9	55.9	40.4	56.3	41.1	56.8	42.2	57.1	42.9
	18	49.9	37.4	52.0	38.9	53.7	40.7	54.7	42.4	55.4	43.9	55.9	44.6	56.4	45.7	56.8	46.5
	20			51.3	42.4	53.2	44.2	54.3	45.9	55.0	47.5	55.5	48.1	56.1	49.2	56.5	50.0
1400-75	2	87.3	12.1	87.9	13.8	88.5	16.0	88.8	18.0	89.0	19.9	89.1	20.7	89.3	22.0	89.4	22.9
	4	85.2	17.3	86.3	19.1	87.1	21.3	87.6	23.3	88.0	25.2	88.2	26.0	88.5	27.3	88.7	28.2
	6	83.3	22.6	84.8	24.4	85.9	26.6	86.6	28.6	87.1	30.4	87.4	31.3	87.8	32.5	88.0	33.5
	8	81.6	27.9	83.4	29.7	84.9	31.9	85.7	33.9	86.3	35.7	86.7	36.6	87.2	37.8	87.5	38.7
	10	80.0	33.2	82.2	35.0	83.9	37.2	84.9	39.2	85.6	41.0	86.0	41.8	86.6	43.1	86.9	44.0
	12	78.5	38.5	81.0	40.3	82.9	42.5	84.1	44.5	84.9	46.3	85.4	47.1	86.0	48.4	86.4	49.3
	14	77.0	43.8	79.8	45.5	82.0	47.8	83.3	49.8	84.2	51.6	84.8	52.4	85.5	53.7	85.9	54.6
	16			78.7	50.8	81.1	53.0	82.6	55.0	83.5	56.9	84.2	57.7	85.0	59.0	85.5	59.9
1400-96	2	110.4	14.3	111.4	16.3	112.2	18.7	112.7	21.0	113.0	23.0	113.2	23.9	113.5	25.4	113.6	26.4
	4	107.1	21.0	108.8	23.0	110.1	25.5	110.9	27.7	111.5	29.8	111.8	30.7	112.2	32.1	112.5	33.1
	6	104.1	27.8	106.4	29.7	108.3	32.2	109.4	34.4	110.1	36.5	110.6	37.4	111.2	38.8	111.5	39.9
	8			104.3	36.5	106.6	39.0	107.9	41.2	108.9	43.2	109.4	44.2	110.2	45.6	110.6	46.6
	10			102.3	43.2	105.0	45.7	106.6	47.9	107.7	50.0	108.4	50.9	109.3	52.3	109.8	53.3

Blackmer reserves the right to change the data in the table without prior notice.



2 H SERIES

2500 PERFORMANCE @ 60Hz

U.S. STANDARD

Speed n=1150 rpm

Specification	Pressure ΔP PSI	Viscosity (mm ² /s) (cSt)															
		75		150		300		500		750		1000		1500		2000	
		Capacity GPM	Power HP	Capacity GPM	Power HP	Capacity GPM	Power HP	Capacity GPM	Power HP	Capacity GPM	Power HP	Capacity GPM	Power HP	Capacity GPM	Power HP	Capacity GPM	Power HP
2500-43	29.0	307.8	18.0	310.0	21.2	312.2	25.1	313.5	28.7	313.9	32.0	314.8	33.5	315.2	35.9	315.7	37.5
	58.0	299.4	23.6	303.4	26.8	306.9	30.8	308.6	34.5	310.4	37.8	311.3	39.3	312.2	41.6	313.0	43.2
	87.0	291.9	29.4	297.6	32.5	302.0	36.5	305.1	40.1	306.9	43.4	308.2	44.9	309.5	47.2	310.4	48.9
	116.0	285.3	35.0	292.3	38.2	298.1	42.2	301.6	45.9	303.8	49.2	305.1	50.7	306.9	53.0	308.2	54.6
	145.0	278.7	40.8	287.5	43.9	294.1	47.9	298.1	51.5	300.7	54.8	302.5	56.3	304.7	58.6	306.0	60.3
	174.0	273.0	46.4	282.7	49.6	290.1	53.6	295.0	57.3	298.1	60.6	299.8	62.1	302.5	64.4	304.2	66.0
	203.1	267.2	52.2	277.8	55.2	286.6	59.3	291.9	62.9	295.4	66.2	297.6	67.7	300.3	70.0	302.0	71.7
	232.1	261.5	57.8	273.4	61.0	283.1	65.0	288.8	68.7	292.8	72.0	295.4	73.5	298.5	75.8	300.3	77.4
	261.1	256.2	63.6	269.5	66.6	279.6	70.7	286.2	74.3	290.1	77.6	292.8	79.1	296.3	81.4	298.5	83.1
	290.1	0.0	0.0	265.0	72.4	276.5	76.4	283.1	80.1	287.9	83.4	290.6	84.9	294.5	87.2	296.7	88.8
	319.1	0.0	0.0	0.0	0.0	273.0	82.1	280.5	85.7	285.3	89.0	288.4	90.5	292.3	92.8	295.0	94.5
	348.1	0.0	0.0	0.0	0.0	269.9	87.8	277.8	91.5	283.1	94.7	286.6	96.1	290.6	98.6	293.2	100.2
2500-56	29.0	402.0	20.9	405.5	24.4	408.1	28.8	409.5	32.9	410.8	36.6	411.2	38.2	412.1	40.8	412.5	42.5
	58.0	391.0	28.4	396.7	31.9	401.1	36.3	403.7	40.4	405.5	44.0	406.8	45.6	408.1	48.1	409.0	50.0
	87.0	381.7	35.8	389.2	39.4	394.9	43.9	398.5	47.7	401.1	51.5	402.9	53.1	404.6	55.7	405.9	57.4
	116.0	372.9	43.3	382.2	46.8	389.6	51.2	394.1	55.2	397.1	58.9	398.9	60.5	401.5	63.0	402.9	64.9
	145.0	364.6	50.7	375.6	54.3	384.4	58.7	389.6	62.6	393.2	66.4	395.4	68.0	398.5	70.5	400.2	72.3
	174.0	357.1	58.2	369.4	61.7	379.5	66.1	385.7	70.1	389.6	73.8	392.3	75.4	395.4	77.9	397.6	79.8
	203.1	349.6	65.6	363.7	69.2	374.7	73.6	381.7	77.5	386.1	81.3	389.2	82.9	392.7	85.4	394.9	87.2
	232.1	342.1	73.1	357.9	76.6	370.3	81.0	377.8	85.0	382.6	88.6	386.1	90.2	390.1	92.8	392.7	94.7
	261.1			352.2	84.1	365.9	88.5	373.8	92.4	379.5	96.1	383.0	97.8	387.4	100.3	390.1	102.1
	290.1			346.9	91.5	361.5	95.9	370.3	99.9	376.4	103.5	380.0	105.1	384.8	107.7	387.9	109.6
2500-85	29.0	604.9	27.1	610.2	31.2	614.2	36.3	616.8	41.0	618.6	45.3	619.5	47.2	620.8	50.3	621.7	52.4
	58.0	587.3	38.4	596.1	42.4	603.2	47.6	607.6	52.3	610.2	56.6	612.4	58.5	614.6	61.4	616.0	63.6
	87.0	572.4	49.5	584.3	53.6	593.5	58.9	599.2	63.4	603.2	67.9	605.8	69.7	608.9	72.7	610.7	74.8
	116.0	558.3	60.7	573.2	64.9	584.7	70.0	592.2	74.7	597.0	79.0	600.1	81.0	603.6	83.9	606.3	86.1
	145.0	545.1	72.0	562.7	76.0	576.8	81.3	585.1	86.0	590.9	90.2	594.4	92.1	598.8	95.2	601.9	97.2
	174.0	532.7	83.1	552.6	87.3	568.8	92.5	578.5	97.2	585.1	101.5	589.1	103.4	594.4	106.3	597.5	108.5
	203.1			543.3	98.6	561.4	103.7	571.9	108.4	579.4	112.6	584.3	114.7	590.0	117.6	593.5	119.8
	232.1			534.1	109.8	553.9	114.9	565.8	119.6	574.1	124	579.0	126	585.6	129	589.5	131
2500-112	29.0	801.7	33.3	807.9	38.0	813.2	44.0	815.8	49.5	818.0	54.4	819.4	56.7	821.1	60.1	822.0	62.6
	58.0	780.6	48.0	791.6	52.8	800.0	58.9	804.8	64.2	808.4	69.3	810.6	71.5	813.2	75.0	815.0	77.4
	87.0	762.6	62.9	777.1	67.6	788.5	73.6	795.1	79.1	800.0	84.1	803.1	86.4	806.6	89.8	808.8	92.3
	116.0	745.8	77.6	763.4	82.5	777.5	88.5	786.3	93.9	792.1	99.0	795.6	101.1	800.4	104.6	803.5	107.1
	145.0			751.1	97.4	767.8	103.3	778.0	108.8	784.6	113.7	789.0	116.0	794.7	119.5	798.2	121.9

Blackmer reserves the right to change the data in the table without prior notice.

2500 PERFORMANCE @ 60Hz

Speed n=1150 rpm

METRIC

Specification	Pressure ΔP bar	Viscosity (mm ² /s) (cSt)															
		75		150		300		500		750		1000		1500		2000	
		Capacity m ³ /h	Power kW	Capacity m ³ /h	Power kW	Capacity m ³ /h	Power kW	Capacity m ³ /h	Power kW	Capacity m ³ /h	Power kW	Capacity m ³ /h	Power kW	Capacity m ³ /h	Power kW	Capacity m ³ /h	Power kW
2500-43	2	69.9	13.4	70.4	15.8	70.9	18.7	71.2	21.4	71.3	23.9	71.5	25.0	71.6	26.8	71.7	28.0
	4	68.0	17.6	68.9	20.0	69.7	23.0	70.1	25.7	70.5	28.2	70.7	29.3	70.9	31.0	71.1	32.2
	6	66.3	21.9	67.6	24.2	68.6	27.2	69.3	29.9	69.7	32.4	70.0	33.5	70.3	35.2	70.5	36.5
	8	64.8	26.1	66.4	28.5	67.7	31.5	68.5	34.2	69.0	36.7	69.3	37.8	69.7	39.5	70.0	40.7
	10	63.3	30.4	65.3	32.7	66.8	35.7	67.7	38.4	68.3	40.9	68.7	42.0	69.2	43.7	69.5	45.0
	12	62.0	34.6	64.2	37.0	65.9	40.0	67.0	42.7	67.7	45.2	68.1	46.3	68.7	48.0	69.1	49.2
	14	60.7	38.9	63.1	41.2	65.1	44.2	66.3	46.9	67.1	49.4	67.6	50.5	68.2	52.2	68.6	53.5
	16	59.4	43.1	62.1	45.5	64.3	48.5	65.6	51.2	66.5	53.7	67.1	54.8	67.8	56.5	68.2	57.7
	18	58.2	47.4	61.2	49.7	63.5	52.7	65.0	55.4	65.9	57.9	66.5	59.0	67.3	60.7	67.8	62.0
	20			60.2	54.0	62.8	57.0	64.3	59.7	65.4	62.2	66.0	63.3	66.9	65.0	67.4	66.2
	22					62.0	61.2	63.7	63.9	64.8	66.4	65.5	67.5	66.4	69.2	67.0	70.5
24					61.3	65.5	63.1	68.2	64.3	70.6	65.1	71.7	66.0	73.5	66.6	74.7	
2500-56	2	91.3	15.6	92.1	18.2	92.7	21.5	93.0	24.5	93.3	27.3	93.4	28.5	93.6	30.4	93.7	31.7
	4	88.8	21.2	90.1	23.8	91.1	27.1	91.7	30.1	92.1	32.8	92.4	34.0	92.7	35.9	92.9	37.3
	6	86.7	26.7	88.4	29.4	89.7	32.7	90.5	35.6	91.1	38.4	91.5	39.6	91.9	41.5	92.2	42.8
	8	84.7	32.3	86.8	34.9	88.5	38.2	89.5	41.2	90.2	43.9	90.6	45.1	91.2	47.0	91.5	48.4
	10	82.8	37.8	85.3	40.5	87.3	43.8	88.5	46.7	89.3	49.5	89.8	50.7	90.5	52.6	90.9	53.9
	12	81.1	43.4	83.9	46.0	86.2	49.3	87.6	52.3	88.5	55.0	89.1	56.2	89.8	58.1	90.3	59.5
	14	79.4	48.9	82.6	51.6	85.1	54.9	86.7	57.8	87.7	60.6	88.4	61.8	89.2	63.7	89.7	65.0
	16	77.7	54.5	81.3	57.1	84.1	60.4	85.8	63.4	86.9	66.1	87.7	67.3	88.6	69.2	89.2	70.6
	18			80.0	62.7	83.1	66.0	84.9	68.9	86.2	71.7	87.0	72.9	88.0	74.8	88.6	76.1
	20			78.8	68.2	82.1	71.5	84.1	74.5	85.5	77.2	86.3	78.4	87.4	80.3	88.1	81.7
2500-85	2	137.4	20.2	138.6	23.3	139.5	27.1	140.1	30.6	140.5	33.8	140.7	35.2	141.0	37.5	141.2	39.1
	4	133.4	28.6	135.4	31.6	137.0	35.5	138.0	39.0	138.6	42.2	139.1	43.6	139.6	45.8	139.9	47.4
	6	130.0	36.9	132.7	40.0	134.8	43.9	136.1	47.3	137.0	50.6	137.6	52.0	138.3	54.2	138.7	55.8
	8	126.8	45.3	130.2	48.4	132.8	52.2	134.5	55.7	135.6	58.9	136.3	60.4	137.1	62.6	137.7	64.2
	10	123.8	53.7	127.8	56.7	131.0	60.6	132.9	64.1	134.2	67.3	135.0	68.7	136.0	71.0	136.7	72.5
	12	121.0	62.0	125.5	65.1	129.2	69.0	131.4	72.5	132.9	75.7	133.8	77.1	135.0	79.3	135.7	80.9
	14			123.4	73.5	127.5	77.3	129.9	80.8	131.6	84.0	132.7	85.5	134.0	87.7	134.8	89.3
	16			121.3	81.9	125.8	85.7	128.5	89.2	130.4	92.4	131.5	93.8	133.0	96.1	133.9	97.7
2500-112	2	182.1	24.8	183.5	28.3	184.7	32.8	185.3	36.9	185.8	40.6	186.1	42.3	186.5	44.8	186.7	46.7
	4	177.3	35.8	179.8	39.4	181.7	43.9	182.8	47.9	183.6	51.7	184.1	53.3	184.7	55.9	185.1	57.7
	6	173.2	46.9	176.5	50.4	179.1	54.9	180.6	59.0	181.7	62.7	182.4	64.4	183.2	67.0	183.7	68.8
	8	169.4	57.9	173.4	61.5	176.6	66.0	178.6	70.0	179.9	73.8	180.7	75.4	181.8	78.0	182.5	79.9
	10			170.6	72.6	174.4	77.0	176.7	81.1	178.2	84.8	179.2	86.5	180.5	89.1	181.3	90.9

Blackmer reserves the right to change the data in the table without prior notice.



2 H SERIES

4200 PERFORMANCE @ 60Hz

U.S. STANDARD

Speed n=1150 rpm

Specification	Pressure ΔP PSI	Viscosity (mm ² /s) (cSt)															
		75		150		300		500		750		1000		1500		2000	
		Capacity GPM	Power HP	Capacity GPM	Power HP	Capacity GPM	Power HP	Capacity GPM	Power HP	Capacity GPM	Power HP	Capacity GPM	Power HP	Capacity GPM	Power HP	Capacity GPM	Power HP
4200-50	29.0	548.6	35.8	551.7	42.5	554.3	51.0	555.6	58.6	557.0	65.6	557.4	68.7	558.3	73.6	558.7	77.0
	58.0	538.0	45.9	543.3	52.6	547.7	61.0	550.4	68.7	552.1	75.6	553.0	78.7	554.3	83.7	555.2	87.0
	87.0	529.2	55.9	536.3	62.6	542.0	71.1	545.5	78.7	547.7	85.7	549.0	88.8	551.2	93.6	552.1	97.1
	116.0	520.9	66.0	529.7	72.7	536.7	81.1	541.1	88.6	543.7	95.7	545.5	98.8	548.1	103.7	549.5	107.1
	145.0	512.9	76.0	523.5	82.7	531.9	91.2	536.7	98.7	540.2	105.8	542.4	108.9	545.1	113.7	546.8	117.2
	174.0	505.4	86.1	517.3	92.8	527.0	101.2	532.7	108.8	536.7	115.9	539.3	118.9	542.4	123.8	544.2	127
	203.1	498.0	96.1	511.6	102.9	522.6	111.3	528.8	118.8	533.2	126	536.3	129	539.8	134	542.0	137
	232.1	490.9	106.2	506.3	112.8	518.2	121.2	525.3	129	530.1	136	533.2	139	537.1	144	539.8	147
	261.1	484.3	116.1	500.6	122.8	513.8	131.3	521.7	139	527.0	146	530.5	149	534.5	154	537.1	157
	290.1	0.0	0	495.8	133	509.8	141	518.2	149	523.9	156	527.5	159	532.3	164	534.9	167
	319.1			490.5	143	505.9	151	514.7	159	520.9	166	524.8	169	529.7	174	533.2	177
	348.1			0.0	0	501.9	161	511.6	169	518.2	176	522.2	179	527.5	184	531.0	187
4200-67	29.0	730.0	40.4	733.9	47.5	737.5	56.3	739.2	64.2	740.6	71.6	741.4	74.8	742.3	79.9	743.2	83.5
	58.0	716.8	53.8	723.4	60.7	729.1	69.6	732.2	77.6	734.4	84.9	735.7	88.2	737.5	93.3	738.8	97.0
	87.0	704.9	67.1	714.1	74.2	721.6	83.0	726.0	90.9	729.1	98.3	730.9	101.5	733.1	106.6	734.8	110.2
	116.0	694.3	80.5	705.8	87.4	714.6	96.3	720.3	104.3	723.8	111.7	726.5	114.9	729.1	120.0	731.3	123.6
	145.0	684.2	93.7	697.4	100.8	708.4	109.7	715.0	117.6	719.4	125	722.1	128	725.6	133	727.8	137
	174.0	674.5	107.1	689.9	114.1	702.2	123.0	709.7	131	714.6	138	718.1	142	722.1	147	724.7	150
	203.1	665.3	120.6	682.9	128	696.5	136	704.9	144	710.6	152	714.1	155	718.5	160	721.6	164
	232.1	656.5	134	675.4	141	690.8	150	700.0	158	706.2	165	710.2	168	715.5	173	718.5	177
	261.1			668.8	154	685.5	163	695.6	171	702.2	178	706.6	182	711.9	187	715.5	190
	290.1			662.2	168	680.2	176	691.2	184	698.3	192	703.1	195	708.9	200	712.8	204
4200-96	29.0	1045.7	48.1	1053.1	55.5	1058.9	65.0	1062.4	73.5	1064.6	81.4	1066.4	84.9	1068.1	90.2	1069.4	94.1
	58.0	1021.0	67.3	1033.8	74.8	1043.5	84.2	1049.6	92.8	1053.6	100.6	1056.2	104.1	1059.3	109.6	1061.1	113.4
	87.0	999.9	86.6	1016.6	94.1	1029.8	103.5	1038.2	112.0	1043.5	119.9	1047.0	123.4	1051.4	129	1054.0	133
	116.0	980.1	105.9	1001.2	113.3	1017.5	122.8	1027.6	131	1034.2	139	1038.6	143	1043.9	148	1047.4	152
	145.0	961.6	125	986.2	133	1006.0	142	1017.9	151	1025.9	158	1030.7	162	1037.3	167	1041.3	171
	174.0	944.0	144	972.6	152	995.0	161	1008.2	170	1017.5	178	1023.7	181	1030.7	187	1035.5	190
	203.1			958.9	171	984.5	181	999.4	189	1010.0	197	1016.6	200	1024.5	206	1029.8	210
	232.1			946.2	190	973.9	200	991.1	208	1002.5	216	1009.6	220	1018.8	225	1024.5	229
4200-128	29.0	1386	57.4	1397	65.6	1407	76.0	1412	85.4	1416	94.0	1419	97.8	1422	103.8	1424	108.1
	58.0	1346	83.1	1366	91.3	1382	101.8	1392	111.0	1398	119.8	1402	123.5	1407	130	1411	134
	87.0	1312	108.8	1339	117.1	1360	127	1373	137	1382	145	1388	149	1395	155	1399	159
	116.0	1280	135	1314	143	1340	153	1357	163	1368	171	1374	175	1383	181	1389	185
	145.0			1290	168	1322	179	1341	188	1353	197	1362	201	1372	207	1379	211

Blackmer reserves the right to change the data in the table without prior notice.



Speed n=1150 rpm

METRIC

Specification	Pressure ΔP bar	Viscosity (mm ² /s) (cSt)															
		75		150		300		500		750		1000		1500		2000	
		Capacity m ³ /h	Power kW	Capacity m ³ /h	Power kW	Capacity m ³ /h	Power kW	Capacity m ³ /h	Power kW	Capacity m ³ /h	Power kW	Capacity m ³ /h	Power kW	Capacity m ³ /h	Power kW	Capacity m ³ /h	Power kW
4200-50	2	124.6	26.7	125.3	31.7	125.9	38.0	126.2	43.7	126.5	48.9	126.6	51.2	126.8	54.9	126.9	57.4
	4	122.2	34.2	123.4	39.2	124.4	45.5	125.0	51.2	125.4	56.4	125.6	58.7	125.9	62.4	126.1	64.9
	6	120.2	41.7	121.8	46.7	123.1	53.0	123.9	58.7	124.4	63.9	124.7	66.2	125.2	69.8	125.4	72.4
	8	118.3	49.2	120.3	54.2	121.9	60.5	122.9	66.1	123.5	71.4	123.9	73.7	124.5	77.3	124.8	79.9
	10	116.5	56.7	118.9	61.7	120.8	68.0	121.9	73.6	122.7	78.9	123.2	81.2	123.8	84.8	124.2	87.4
	12	114.8	64.2	117.5	69.2	119.7	75.5	121.0	81.1	121.9	86.4	122.5	88.7	123.2	92.3	123.6	94.9
	14	113.1	71.7	116.2	76.7	118.7	83.0	120.1	88.6	121.1	93.9	121.8	96.2	122.6	99.8	123.1	102.4
	16	111.5	79.2	115.0	84.1	117.7	90.4	119.3	96.1	120.4	101.3	121.1	103.7	122.0	107.3	122.6	109.9
	18	110.0	86.6	113.7	91.6	116.7	97.9	118.5	103.6	119.7	108.8	120.5	111.2	121.4	114.8	122.0	117.4
	20			112.6	99.1	115.8	105.4	117.7	111.1	119.0	116.3	119.8	118.6	120.9	122.3	121.5	124.9
	22			111.4	106.6	114.9	112.9	116.9	118.6	118.3	123.8	119.2	126.1	120.3	129.8	121.1	132.3
24					114.0	120.4	116.2	126.1	117.7	131.3	118.6	133.6	119.8	137.3	120.6	139.8	
4200-67	2	165.8	30.1	166.7	35.4	167.5	42.0	167.9	47.9	168.2	53.4	168.4	55.8	168.6	59.6	168.8	62.3
	4	162.8	40.1	164.3	45.3	165.6	51.9	166.3	57.9	166.8	63.3	167.1	65.8	167.5	69.6	167.8	72.3
	6	160.1	50.0	162.2	55.3	163.9	61.9	164.9	67.8	165.6	73.3	166.0	75.7	166.5	79.5	166.9	82.2
	8	157.7	60.0	160.3	65.2	162.3	71.8	163.6	77.8	164.4	83.3	165.0	85.7	165.6	89.5	166.1	92.2
	10	155.4	69.9	158.4	75.2	160.9	81.8	162.4	87.7	163.4	93.2	164.0	95.6	164.8	99.5	165.3	102.2
	12	153.2	79.9	156.7	85.1	159.5	91.7	161.2	97.7	162.3	103.2	163.1	105.6	164.0	109.4	164.6	112.1
	14	151.1	89.9	155.1	95.1	158.2	101.7	160.1	107.6	161.4	113.1	162.2	115.6	163.2	119.4	163.9	122.1
	16	149.1	99.8	153.4	105.1	156.9	111.7	159.0	117.6	160.4	123.1	161.3	125.5	162.5	129.3	163.2	132.0
	18			151.9	115.0	155.7	121.6	158.0	127.6	159.5	133.0	160.5	135.5	161.7	139.3	162.5	142.0
	20			150.4	125.0	154.5	131.6	157.0	137.5	158.6	143.0	159.7	145.4	161.0	149.2	161.9	151.9
4200-67	2	237.5	35.9	239.2	41.4	240.5	48.5	241.3	54.8	241.8	60.7	242.2	63.3	242.6	67.3	242.9	70.2
	4	231.9	50.2	234.8	55.8	237.0	62.8	238.4	69.2	239.3	75.0	239.9	77.6	240.6	81.7	241.0	84.6
	6	227.1	64.6	230.9	70.2	233.9	77.2	235.8	83.5	237.0	89.4	237.8	92.0	238.8	96.1	239.4	98.9
	8	222.6	79.0	227.4	84.5	231.1	91.6	233.4	97.9	234.9	103.8	235.9	106.4	237.1	110.4	237.9	113.3
	10	218.4	93.3	224.0	98.9	228.5	105.9	231.2	112.3	233.0	118.1	234.1	120.7	235.6	124.8	236.5	127.7
	12	214.4	107.7	220.9	113.3	226.0	120.3	229.0	126.6	231.1	132.5	232.5	135.1	234.1	139.1	235.2	142.0
	14			217.8	127.6	223.6	134.7	227.0	141.0	229.4	146.9	230.9	149.4	232.7	153.5	233.9	156.4
	16			214.9	142.0	221.2	149.0	225.1	155.4	227.7	161.2	229.3	163.8	231.4	167.9	232.7	170.8
4200-128	2	314.7	42.8	317.4	48.9	319.5	56.7	320.8	63.7	321.7	70.1	322.2	72.9	322.9	77.4	323.4	80.6
	4	305.7	62.0	310.3	68.1	313.9	75.9	316.1	82.8	317.5	89.3	318.5	92.1	319.6	96.6	320.4	99.7
	6	297.9	81.1	304.1	87.3	309.0	95.0	311.9	102.0	313.9	108.4	315.2	111.3	316.8	115.7	317.8	118.9
	8	290.7	100.3	298.4	106.4	304.4	114.2	308.1	121.2	310.6	127.6	312.1	130.4	314.1	134.9	315.4	138.1
	10			293.0	125.6	300.2	133.4	304.5	140.3	307.4	146.8	309.3	149.6	311.6	154.1	313.1	157.2



2 H SERIES

7000 PERFORMANCE @ 60Hz

U.S. STANDARD

Speed n=1150 rpm

Specification	Pressure ΔP PSI	Viscosity (mm ² /s) (cSt)															
		75		150		300		500		750		1000		1500		2000	
		Capacity GPM	Power HP	Capacity GPM	Power HP	Capacity GPM	Power HP	Capacity GPM	Power HP	Capacity GPM	Power HP	Capacity GPM	Power HP	Capacity GPM	Power HP	Capacity GPM	Power HP
7000-40	29.0	898.6	49.8	903.5	58.6	907.0	69.6	909.2	79.4	910.9	88.5	911.8	92.7	912.7	99.0	913.6	103.5
	58.0	883.2	66.1	891.1	74.8	897.3	85.8	901.3	95.6	903.5	104.9	905.2	108.9	907.4	115.2	908.3	119.8
	87.0	870.0	82.3	880.6	91.1	888.9	102.1	893.8	111.8	897.3	121.1	899.5	125.1	902.1	131	903.9	136
	116.0	857.7	98.6	870.4	107.3	881.0	118.3	887.2	128	891.6	137	894.2	141	897.7	148	899.9	152
	145.0	845.8	114.8	861.6	123.5	874.0	135	881.0	144	886.3	154	889.4	158	893.3	164	896.0	168
	174.0	834.8	131	852.8	140	866.9	151	875.3	161	881.0	170	885.0	174	889.4	180	892.4	185
	203.1	824.2	147	844.5	156	860.3	167	869.6	177	876.2	186	880.1	190	885.4	196	888.9	201
	232.1	814.1	163	836.1	172	853.7	183	864.3	193	871.3	202	876.2	206	881.9	213	885.4	217
	261.1			828.2	188	847.5	199	859.0	209	866.9	218	871.8	222	877.9	229	881.9	233
	290.1			820.7	205	841.4	216	853.7	226	862.5	235	867.8	239	874.4	245	878.8	250
	319.1					835.7	232	848.9	242	858.1	251	863.8	255	870.9	261	875.7	266
	348.1					829.9	248	844.0	258	853.7	267	859.9	271	867.8	278	872.6	282
7000-50	29.0	1122.7	62.8	1128.4	73.8	1133.3	87.7	1136.4	100.2	1138.1	111.7	1139.4	116.8	1140.8	124.8	1141.6	131
	58.0	1102.9	83.0	1113.0	94.0	1121.0	108.0	1125.8	120.4	1128.9	132	1131.1	137	1133.7	145	1135.0	151
	87.0	1085.7	103.4	1099.4	114.4	1109.9	128	1116.6	141	1121.0	152	1123.6	157	1127.1	165	1129.3	171
	116.0	1069.9	123.6	1086.6	135	1100.3	149	1108.2	161	1113.5	173	1117.0	178	1121.4	186	1124.0	191
	145.0	1055.4	144	1075.2	155	1090.6	169	1100.3	181	1106.9	193	1110.8	198	1116.1	206	1119.2	212
	174.0	1040.8	164	1063.7	175	1081.8	189	1092.8	202	1100.3	213	1105.1	218	1110.8	226	1114.3	232
	203.1	1027.6	185	1053.1	196	1073.4	209	1085.7	222	1094.1	233	1099.4	239	1106.0	247	1109.9	252
	232.1	1014.4	205	1042.6	216	1065.0	230	1078.7	242	1087.9	254	1093.7	259	1101.1	267	1105.5	273
	261.1			1032.5	236	1057.1	250	1072.1	263	1081.8	274	1088.4	279	1096.3	287	1101.6	293
	290.1			1022.8	256	1049.2	270	1065.5	283	1076.5	294	1083.1	300	1091.9	307	1097.2	313
	319.1					1041.7	291	1058.9	303	1070.8	315	1078.2	320	1087.5	328	1093.2	334
	348.1					1034.7	311	1052.7	323	1065.0	335	1073.0	340	1083.1	348	1089.3	354
7000-67	29.0	1511	74.7	1517	87.0	1522	102.6	1526	116.7	1528	130	1530	135	1531	144	1532	151
	58.0	1489	101.9	1500	114.3	1509	130	1514	144	1518	157	1520	163	1523	172	1525	178
	87.0	1469	129	1484	141	1497	157	1504	171	1509	184	1512	190	1516	199	1518	205
	116.0	1451	156	1470	169	1485	184	1494	198	1500	211	1504	217	1509	226	1512	232
	145.0	1434	183	1457	196	1475	211	1486	225	1493	238	1497	244	1503	253	1507	259
	174.0	1419	211	1445	223	1465	239	1477	253	1486	266	1491	271	1497	280	1501	287
	203.1	1404	238	1432	250	1455	266	1469	280	1478	293	1484	299	1492	307	1497	314
	232.1			1421	277	1446	293	1461	307	1471	320	1478	326	1486	335	1491	341
	261.1			1409	305	1437	320	1453	334	1465	347	1472	353	1481	362	1487	368
	290.1					1428	347	1446	361	1458	374	1466	380	1476	389	1482	395
	319.1					1419	375	1439	389	1452	401	1460	407	1471	416	1478	423
	348.1					1412	402	1432	416								

Blackmer reserves the right to change the data in the table without prior notice.

7000 PERFORMANCE @ 60Hz (CON'T)

U.S. STANDARD

Speed n=1150 rpm

Specification	Pressure ΔP PSI	Viscosity (mm ² /s) (cSt)															
		75		150		300		500		750		1000		1500		2000	
		Capacity GPM	Power HP	Capacity GPM	Power HP	Capacity GPM	Power HP	Capacity GPM	Power HP	Capacity GPM	Power HP	Capacity GPM	Power HP	Capacity GPM	Power HP	Capacity GPM	Power HP
7000-96	29.0	2208	96.3	2218	111.0	2226	130	2230	146	2234	162	2236	169	2238	179	2240	187
	58.0	2175	136	2192	151	2205	169	2213	186	2219	201	2222	208	2226	219	2229	226
	87.0	2147	176	2169	191	2187	209	2198	226	2205	241	2210	248	2215	259	2219	266
	116.0	2121	216	2149	230	2171	249	2184	266	2193	281	2199	288	2206	299	2211	306
	145.0	2096	255	2129	270	2155	289	2171	305	2182	321	2188	327	2197	338	2202	346
	174.0			2110	310	2141	328	2159	345	2171	360	2179	367	2188	378	2194	386
	203.1			2093	350	2126	368	2146	385	2160	400	2169	407	2180	418	2187	425
	232.1			2075	389	2112	408	2135	425								
7000-128	29.0	2978	122.7	2984	141	2989	164	2992	184	2994	203	2995	212	2997	225	2998	234
	58.0	2957	176	2967	194	2976	217	2981	237	2984	256	2986	265	2989	278	2991	287
	87.0	2939	229	2953	247	2964	270	2971	290	2976	309	2979	318	2982	331	2985	340
	116.0	2923	282	2940	300	2954	323	2963	343	2968	362	2972	371	2976	384	2979	393
	145.0			2928	353	2944	376	2954	396	2961	415	2965	424				
7000-144	29.0	3343	134	3351	153	3358	178	3362	200	3365	220	3366	229	3369	243	3370	253
	58.0	3315	194	3329	213	3340	237	3347	259	3352	279	3355	288	3358	302	3361	312
	87.0	3291	253	3310	273	3325	297	3334	319	3340	339	3344	348	3350	362	3353	372
	116.0			3292	332	3311	357	3322	378	3330	399	3335	408	3341	422		



Speed n=1150 rpm

METRIC

Specification	Pressure ΔP bar	Viscosity (mm ² /s) (cSt)															
		75		150		300		500		750		1000		1500		2000	
		Capacity m ³ /h	Power kW	Capacity m ³ /h	Power kW	Capacity m ³ /h	Power kW	Capacity m ³ /h	Power kW	Capacity m ³ /h	Power kW	Capacity m ³ /h	Power kW	Capacity m ³ /h	Power kW	Capacity m ³ /h	Power kW
7000-40	2	204.1	37.1	205.2	43.7	206.0	51.9	206.5	59.2	206.9	66.0	207.1	69.1	207.3	73.8	207.5	77.2
	4	200.6	49.3	202.4	55.8	203.8	64.0	204.7	71.3	205.2	78.2	205.6	81.2	206.1	85.9	206.3	89.3
	6	197.6	61.4	200.0	67.9	201.9	76.1	203.0	83.4	203.8	90.3	204.3	93.3	204.9	98.0	205.3	101.4
	8	194.8	73.5	197.7	80.0	200.1	88.2	201.5	95.6	202.5	102.4	203.1	105.4	203.9	110.1	204.4	113.5
	10	192.1	85.6	195.7	92.1	198.5	100.3	200.1	107.7	201.3	114.5	202.0	117.5	202.9	122.2	203.5	125.6
	12	189.6	97.7	193.7	104.2	196.9	112.4	198.8	119.8	200.1	126.6	201.0	129.6	202.0	134.3	202.7	137.7
	14	187.2	109.8	191.8	116.3	195.4	124.5	197.5	131.9	199.0	138.7	199.9	141.7	201.1	146.4	201.9	149.8
	16	184.9	121.9	189.9	128.4	193.9	136.6	196.3	144.0	197.9	150.8	199.0	153.8	200.3	158.6	201.1	161.9
	18			188.1	140.5	192.5	148.7	195.1	156.1	196.9	162.9	198.0	165.9	199.4	170.7	200.3	174.0
	20			186.4	152.6	191.1	160.8	193.9	168.2	195.9	175.0	197.1	178.0	198.6	182.8	199.6	186.1
	22					189.8	172.9	192.8	180.3	194.9	187.1	196.2	190.1	197.8	194.9	198.9	198.2
24					188.5	185.0	191.7	192.4	193.9	199.2	195.3	202.3	197.1	207.0	198.2	210.3	
7000-50	2	255.0	46.8	256.3	55.0	257.4	65.4	258.1	74.7	258.5	83.3	258.8	87.1	259.1	93.1	259.3	97.4
	4	250.5	61.9	252.8	70.1	254.6	80.5	255.7	89.8	256.4	98.5	256.9	102.3	257.5	108.3	257.8	112.5
	6	246.6	77.1	249.7	85.3	252.1	95.6	253.6	105.0	254.6	113.6	255.2	117.4	256.0	123.4	256.5	127.6
	8	243.0	92.2	246.8	100.4	249.9	110.8	251.7	120.1	252.9	128.7	253.7	132.5	254.7	138.5	255.3	142.8
	10	239.7	107.3	244.2	115.6	247.7	125.9	249.9	135.2	251.4	143.9	252.3	147.7	253.5	153.7	254.2	157.9
	12	236.4	122.5	241.6	130.7	245.7	141.1	248.2	150.4	249.9	159.0	251.0	162.8	252.3	168.8	253.1	173.0
	14	233.4	137.6	239.2	145.8	243.8	156.2	246.6	165.5	248.5	174.1	249.7	177.9	251.2	183.9	252.1	188.2
	16	230.4	152.7	236.8	161.0	241.9	171.3	245.0	180.6	247.1	189.3	248.4	193.1	250.1	199.1	251.1	203.3
	18			234.5	176.1	240.1	186.5	243.5	195.8	245.7	204.4	247.2	208.2	249.0	214.2	250.2	218.4
	20			232.3	191.2	238.3	201.6	242.0	210.9	244.5	219.5	246.0	223.4	248.0	229.3	249.2	233.6
	22					236.6	216.7	240.5	226.1	243.2	234.7	244.9	238.5	247.0	244.5	248.3	248.7
24					235.0	231.9	239.1	241.2	241.9	249.8	243.7	253.6	246.0	259.6	247.4	263.9	
7000-67	2	343.1	55.7	344.6	64.9	345.8	76.5	346.6	87.0	347.0	96.6	347.4	100.9	347.8	107.6	348.0	112.3
	4	338.1	76.0	340.6	85.2	342.7	96.8	343.9	107.2	344.7	116.9	345.2	121.2	345.9	127.9	346.3	132.6
	6	333.7	96.3	337.1	105.5	339.9	117.1	341.5	127.5	342.7	137.2	343.4	141.4	344.3	148.1	344.8	152.9
	8	329.6	116.6	333.9	125.8	337.3	137.4	339.4	147.8	340.8	157.5	341.7	161.7	342.8	168.4	343.5	173.2
	10	325.8	136.8	330.9	146.0	335.0	157.6	337.4	168.1	339.0	177.7	340.1	182.0	341.4	188.7	342.2	193.5
	12	322.2	157.1	328.1	166.3	332.7	177.9	335.5	188.4	337.4	198.0	338.6	202.3	340.1	209.0	341.0	213.7
	14	318.8	177.4	325.3	186.6	330.5	198.2	333.6	208.7	335.8	218.3	337.1	222.6	338.8	229.3	339.9	234.0
	16			322.7	206.9	328.4	218.5	331.9	228.9	334.2	238.6	335.7	242.9	337.6	249.5	338.7	254.3
	18			320.1	227.2	326.4	238.8	330.1	249.2	332.7	258.9	334.3	263.1	336.4	269.8	337.7	274.6
	20					324.4	259.1	328.5	269.5	331.2	279.1	333.0	283.4	335.2	290.1	336.6	294.9
	22					322.4	279.3	326.8	289.8	329.8	299.4	331.7	303.7	334.1	310.4	335.6	315.1
24					320.6	299.6	325.2	310.1	328.4	319.7							

Blackmer reserves the right to change the data in the table without prior notice.

7000 PERFORMANCE @ 60Hz (CON'T)

Speed n=1150 rpm

METRIC

Specification	Pressure ΔP bar	Viscosity (mm ² /s) (cSt)															
		75		150		300		500		750		1000		1500		2000	
		Capacity m ³ /h	Power kW	Capacity m ³ /h	Power kW	Capacity m ³ /h	Power kW	Capacity m ³ /h	Power kW	Capacity m ³ /h	Power kW	Capacity m ³ /h	Power kW	Capacity m ³ /h	Power kW	Capacity m ³ /h	Power kW
7000-96	2	501.5	71.8	503.7	82.8	505.5	96.6	506.6	109.1	507.3	120.6	507.8	125.7	508.3	133.6	508.7	139.3
	4	494.1	101.5	497.9	112.5	500.8	126.3	502.6	138.7	503.9	150.2	504.6	155.3	505.6	163.3	506.2	168.9
	6	487.6	131.1	492.7	142.1	496.8	155.9	499.2	168.4	500.9	179.9	501.9	185.0	503.2	192.9	504.1	198.6
	8	481.7	160.8	488.0	171.8	493.0	185.6	496.0	198.0	498.1	209.5	499.4	214.6	501.0	222.6	502.1	228.2
	10	476.1	190.4	483.6	201.4	489.5	215.2	493.1	227.7	495.5	239.2	497.0	244.2	499.0	252.2	500.2	257.9
	12			479.3	231.1	486.2	244.9	490.3	257.3	493.0	268.8	494.8	273.9	497.0	281.9	498.4	287.5
	14			475.3	260.7	482.9	274.5	487.5	287.0	490.7	298.5	492.7	303.5	495.1	311.5	496.7	317.2
	16			471.4	290.4	479.8	304.2	484.9	316.6								
7000-128	2	676.3	91.5	677.7	105.0	678.9	122.0	679.5	137.3	680.0	151.5	680.3	157.8	680.7	167.6	680.9	174.5
	4	671.6	131.0	674.0	144.5	675.9	161.6	677.1	176.9	677.8	191.0	678.3	197.3	678.9	207.1	679.3	214.1
	6	667.5	170.6	670.8	184.1	673.3	201.1	674.9	216.4	675.9	230.6	676.6	236.8	677.4	246.6	677.9	253.6
	8	663.8	210.1	667.8	223.6	671.0	240.6	672.9	255.9	674.2	270.1	675.0	276.4	676.0	286.2	676.7	293.2
	10			665.0	263.2	668.7	280.2	671.0	295.5	672.5	309.6	673.5	315.9				
7000-144	2	759.3	99.9	761.2	114.3	762.7	132.5	763.6	148.8	764.2	163.9	764.6	170.6	765.1	181.0	765.4	188.5
	4	753.0	144.4	756.2	158.8	758.7	176.9	760.3	193.3	761.3	208.4	762.0	215.0	762.8	225.5	763.3	233.0
	6	747.4	188.9	751.8	203.3	755.2	221.4	757.3	237.7	758.7	252.8	759.6	259.5	760.8	270.0	761.5	277.4
	8			747.8	247.7	752.0	265.9	754.6	282.2	756.4	297.3	757.5	304.0	758.9	314.5		



2 H SERIES

150 PERFORMANCE @ 60Hz

U.S. STANDARD

Speed n=1750 rpm

Specification	Pressure ΔP PSI	Viscosity (mm ² /s) (cSt)															
		1		15		35		75		150		350		750		1500	
		Capacity GPM	Power HP	Capacity GPM	Power HP	Capacity GPM	Power HP	Capacity GPM	Power HP	Capacity GPM	Power HP	Capacity GPM	Power HP	Capacity GPM	Power HP	Capacity GPM	Power HP
150-10	29.0	14.4	1.2	14.6	1.5	14.7	1.8	14.8	2.3	14.8	2.8	14.9	3.6	15.0	4.6	15.0	5.2
	58.0	13.9	1.5	14.2	1.8	14.4	2.1	14.5	2.5	14.7	3.1	14.8	3.9	14.9	4.8	14.9	5.5
	87.0	13.4	1.7	13.8	2.1	14.1	2.4	14.3	2.8	14.5	3.3	14.7	4.1	14.7	5.1	14.8	5.7
	116.0	12.9	2.0	13.5	2.3	13.9	2.7	14.1	3.1	14.4	3.6	14.5	4.4	14.7	5.4	14.7	6.0
	145.0	12.5	2.3	13.3	2.6	13.6	2.9	14.0	3.3	14.2	3.9	14.4	4.7	14.6	5.6	14.7	6.3
	174.0	12.2	2.5	12.9	2.9	13.4	3.2	13.8	3.6	14.0	4.1	14.3	4.9	14.5	5.9	14.6	6.5
	203.1			12.7	3.2	13.2	3.5	13.6	3.9	13.9	4.4	14.2	5.2	14.4	6.2	14.6	6.8
	232.1			12.4	3.4	13.0	3.7	13.4	4.2	13.8	4.7	14.1	5.5	14.4	6.5	14.5	7.1
	261.1					12.8	4.0	13.3	4.4	13.6	4.9	14.0	5.8	14.3	6.7	14.4	7.3
	290.1					12.6	4.3	13.1	4.7	13.5	5.2	13.9	6.0	14.2	7.0	14.4	7.6
	319.1							13.0	5.0	13.4	5.5	13.8	6.3	14.1	7.3	14.4	7.9
348.1							12.8	5.2	13.3	5.8	13.7	6.6	14.0	7.5	14.3	8.2	
150-16	29.0	23.1	1.5	23.4	1.9	23.6	2.3	23.7	2.8	23.8	3.4	23.9	4.4	24.0	5.5	24.0	6.3
	58.0	22.3	2.0	22.8	2.4	23.1	2.7	23.3	3.2	23.5	3.8	23.7	4.8	23.8	6.0	23.9	6.7
	87.0	21.6	2.4	22.3	2.8	22.7	3.2	23.0	3.7	23.2	4.3	23.5	5.2	23.6	6.4	23.8	7.1
	116.0	21.0	2.8	21.8	3.2	22.3	3.6	22.7	4.1	23.0	4.7	23.3	5.7	23.5	6.8	23.7	7.5
	145.0	20.4	3.3	21.4	3.6	21.9	4.0	22.4	4.5	22.8	5.1	23.2	6.1	23.4	7.3	23.6	8.0
	174.0			21.0	4.1	21.6	4.5	22.1	4.9	22.6	5.6	23.0	6.5	23.3	7.7	23.5	8.4
	203.1					21.3	4.9	21.9	5.4	22.4	6.0	22.9	7.0	23.2	8.1	23.4	8.9
	232.1					21.0	5.3	21.7	5.8	22.2	6.4	22.7	7.4	23.0	8.6	23.3	9.3
	261.1							21.4	6.2	22.0	6.9	22.5	7.8	22.9	9.0	23.2	9.7
	290.1							21.2	6.7	21.8	7.3	22.4	8.3	22.8	9.4	23.1	10.1
	319.1							21.0	7.1	21.7	7.7	22.3	8.7	22.7	9.8	23.0	10.6
348.1							20.7	7.5	21.5	8.2	22.1	9.1	22.6	10.3	22.9	11.0	
150-20	29.0	27.9	1.7	28.3	2.1	28.5	2.5	28.7	3.0	28.8	3.7	28.9	4.7	29.0	5.9	29.1	6.7
	58.0	27.0	2.2	27.6	2.6	27.9	3.0	28.2	3.6	28.4	4.2	28.7	5.2	28.8	6.5	28.9	7.2
	87.0	26.2	2.7	27.0	3.2	27.5	3.5	27.8	4.1	28.1	4.7	28.4	5.8	28.6	7.0	28.8	7.8
	116.0	25.4	3.3	26.5	3.7	27.0	4.1	27.5	4.6	27.9	5.3	28.2	6.3	28.4	7.5	28.6	8.3
	145.0	24.8	3.8	25.9	4.2	26.6	4.6	27.2	5.1	27.6	5.8	28.0	6.8	28.3	8.0	28.5	8.8
	174.0			25.4	4.7	26.2	5.1	26.9	5.6	27.3	6.3	27.8	7.3	28.2	8.5	28.4	9.3
	203.1					25.8	5.6	26.5	6.2	27.1	6.8	27.6	7.8	28.0	9.1	28.3	9.8
	232.1							26.3	6.7	26.9	7.3	27.5	8.4	27.9	9.6	28.2	10.4
150-30	29.0	41.3	2.2	41.8	2.7	42.1	3.2	42.4	3.8	42.6	4.6	42.8	5.9	43.0	7.4	43.1	8.3
	58.0	39.8	3.0	40.8	3.5	41.3	4.0	41.7	4.6	42.1	5.4	42.4	6.7	42.6	8.2	42.8	9.1
	87.0	38.6	3.8	39.8	4.3	40.5	4.7	41.2	5.4	41.6	6.2	42.0	7.4	42.4	8.9	42.6	9.9
	116.0	37.4	4.5	39.0	5.0	39.8	5.5	40.6	6.2	41.2	7.0	41.7	8.2	42.1	9.7	42.4	10.6
	145.0			38.2	5.8	39.2	6.3	40.1	6.9	40.8	7.7	41.4	9.0	41.9	10.5	42.2	11.4
	174.0					38.6	7.1	39.6	7.7	40.4	8.5	41.1	9.8	41.7	11.3	42.0	12.2

Blackmer reserves the right to change the data in the table without prior notice.



Speed n=1750 rpm

METRIC

Specification	Pressure ΔP bar	Viscosity (mm ² /s) (cSt)															
		1		15		35		75		150		350		750		1500	
		Capacity m ³ /h	Power kW	Capacity m ³ /h	Power kW	Capacity m ³ /h	Power kW	Capacity m ³ /h	Power kW	Capacity m ³ /h	Power kW	Capacity m ³ /h	Power kW	Capacity m ³ /h	Power kW	Capacity m ³ /h	Power kW
150-10	2	3.3	0.9	3.3	1.1	3.3	1.4	3.4	1.7	3.4	2.1	3.4	2.7	3.4	3.4	3.4	3.9
	4	3.2	1.1	3.2	1.3	3.3	1.6	3.3	1.9	3.3	2.3	3.4	2.9	3.4	3.6	3.4	4.1
	6	3.0	1.3	3.1	1.5	3.2	1.8	3.3	2.1	3.3	2.5	3.3	3.1	3.4	3.8	3.4	4.3
	8	2.9	1.5	3.1	1.7	3.2	2.0	3.2	2.3	3.3	2.7	3.3	3.3	3.3	4.0	3.4	4.5
	10	2.9	1.7	3.0	1.9	3.1	2.2	3.2	2.5	3.2	2.9	3.3	3.5	3.3	4.2	3.3	4.7
	12	2.8	1.9	2.9	2.2	3.0	2.4	3.1	2.7	3.2	3.1	3.3	3.7	3.3	4.4	3.3	4.9
	14			2.9	2.4	3.0	2.6	3.1	2.9	3.2	3.3	3.2	3.9	3.3	4.6	3.3	5.1
	16			2.8	2.6	3.0	2.8	3.1	3.1	3.1	3.5	3.2	4.1	3.3	4.8	3.3	5.3
	18					2.9	3.0	3.0	3.3	3.1	3.7	3.2	4.3	3.2	5.0	3.3	5.5
	20					2.9	3.2	3.0	3.5	3.1	3.9	3.2	4.5	3.2	5.2	3.3	5.7
	22							3.0	3.7	3.1	4.1	3.1	4.7	3.2	5.4	3.3	5.9
24							2.9	3.9	3.0	4.3	3.1	4.9	3.2	5.6	3.3	6.1	
150-16	2	5.2	1.2	5.3	1.4	5.4	1.7	5.4	2.1	5.4	2.5	5.4	3.3	5.5	4.1	5.5	4.7
	4	5.1	1.5	5.2	1.8	5.2	2.0	5.3	2.4	5.3	2.9	5.4	3.6	5.4	4.4	5.4	5.0
	6	4.9	1.8	5.1	2.1	5.2	2.4	5.2	2.7	5.3	3.2	5.3	3.9	5.4	4.8	5.4	5.3
	8	4.8	2.1	5.0	2.4	5.1	2.7	5.2	3.1	5.2	3.5	5.3	4.2	5.3	5.1	5.4	5.6
	10	4.6	2.4	4.9	2.7	5.0	3.0	5.1	3.4	5.2	3.8	5.3	4.6	5.3	5.4	5.4	6.0
	12			4.8	3.0	4.9	3.3	5.0	3.7	5.1	4.2	5.2	4.9	5.3	5.7	5.3	6.3
	14					4.8	3.6	5.0	4.0	5.1	4.5	5.2	5.2	5.3	6.1	5.3	6.6
	16					4.8	4.0	4.9	4.3	5.0	4.8	5.2	5.5	5.2	6.4	5.3	6.9
	18							4.9	4.7	5.0	5.1	5.1	5.8	5.2	6.7	5.3	7.2
	20							4.8	5.0	5.0	5.4	5.1	6.2	5.2	7.0	5.3	7.6
	22							4.8	5.3	4.9	5.8	5.1	6.5	5.2	7.3	5.2	7.9
24							4.7	5.6	4.9	6.1	5.0	6.8	5.1	7.7	5.2	8.2	
150-20	2	6.3	1.3	6.4	1.6	6.5	1.9	6.5	2.3	6.5	2.8	6.6	3.5	6.6	4.4	6.6	5.0
	4	6.1	1.7	6.3	2.0	6.3	2.3	6.4	2.7	6.5	3.1	6.5	3.9	6.5	4.8	6.6	5.4
	6	6.0	2.0	6.1	2.4	6.2	2.6	6.3	3.0	6.4	3.5	6.5	4.3	6.5	5.2	6.5	5.8
	8	5.8	2.4	6.0	2.7	6.1	3.0	6.3	3.4	6.3	3.9	6.4	4.7	6.5	5.6	6.5	6.2
	10	5.6	2.8	5.9	3.1	6.0	3.4	6.2	3.8	6.3	4.3	6.4	5.1	6.4	6.0	6.5	6.6
	12			5.8	3.5	6.0	3.8	6.1	4.2	6.2	4.7	6.3	5.5	6.4	6.4	6.5	7.0
	14					5.9	4.2	6.0	4.6	6.2	5.1	6.3	5.9	6.4	6.8	6.4	7.3
	16							6.0	5.0	6.1	5.5	6.2	6.2	6.3	7.2	6.4	7.7
150-30	2	9.4	1.7	9.5	2.0	9.6	2.4	9.6	2.9	9.7	3.5	9.7	4.4	9.8	5.5	9.8	6.2
	4	9.1	2.2	9.3	2.6	9.4	3.0	9.5	3.4	9.6	4.0	9.6	5.0	9.7	6.1	9.7	6.8
	6	8.8	2.8	9.1	3.2	9.2	3.5	9.4	4.0	9.5	4.6	9.6	5.6	9.6	6.7	9.7	7.4
	8	8.5	3.4	8.9	3.8	9.1	4.1	9.2	4.6	9.4	5.2	9.5	6.1	9.6	7.2	9.6	7.9
	10			8.7	4.3	8.9	4.7	9.1	5.2	9.3	5.8	9.4	6.7	9.5	7.8	9.6	8.5

Blackmer reserves the right to change the data in the table without prior notice.



U.S. STANDARD

Speed n=1750 rpm

Specification	Pressure ΔP PSI	Viscosity (mm ² /s) (cSt)															
		1		15		35		75		150		350		750		1500	
		Capacity GPM	Power HP	Capacity GPM	Power HP	Capacity GPM	Power HP	Capacity GPM	Power HP	Capacity GPM	Power HP	Capacity GPM	Power HP	Capacity GPM	Power HP	Capacity GPM	Power HP
160-20	29.0	19.7	1.5	20.4	1.9	20.8	2.2	21.2	2.7	21.4	3.3	21.7	4.3	21.9	5.4	22.0	6.1
	43.5	18.8	1.7	19.7	2.0	20.3	2.4	20.7	2.9	21.1	3.5	21.4	4.5	21.7	5.6	21.8	6.3
	58.0	17.8	1.9	19.1	2.2	19.7	2.6	20.3	3.1	20.7	3.7	21.2	4.7	21.5	5.8	21.7	6.5
	72.5	17.0	2.0	18.4	2.4	19.2	2.8	19.9	3.3	20.4	3.9	21.0	4.8	21.3	6.0	21.5	6.7
	87.0	16.2	2.2	17.8	2.6	18.8	3.0	19.5	3.5	20.2	4.1	20.7	5.0	21.1	6.2	21.4	6.9
	101.5	15.5	2.4	17.3	2.8	18.3	3.2	19.2	3.7	19.9	4.3	20.5	5.2	21.0	6.3	21.3	7.1
	116.0			16.7	3.0	17.9	3.4	18.8	3.8	19.6	4.5	20.3	5.4	20.8	6.5	21.1	7.3
	130.5					17.4	3.6	18.5	4.0	19.3	4.6	20.1	5.6	20.6	6.7	21.0	7.4
	145.0					17.0	3.7	18.2	4.2	19.1	4.8	19.9	5.8	20.5	6.9	20.9	7.6
160-27	29.0	26.7	1.6	27.6	2.0	28.1	2.4	28.5	2.9	28.8	3.5	29.1	4.5	29.4	5.7	29.5	6.4
	43.5	25.4	1.9	26.6	2.3	27.3	2.7	27.9	3.2	28.4	3.8	28.8	4.8	29.1	5.9	29.3	6.7
	58.0	24.3	2.1	25.8	2.5	26.7	2.9	27.4	3.4	28.0	4.0	28.5	5.0	28.9	6.2	29.1	6.9
	72.5	23.2	2.4	25.0	2.8	26.0	3.2	26.9	3.7	27.6	4.3	28.2	5.3	28.6	6.5	28.9	7.2
	87.0	22.2	2.7	24.3	3.0	25.4	3.4	26.4	3.9	27.2	4.6	27.9	5.5	28.4	6.7	28.8	7.4
	101.5	21.3	2.9	23.6	3.3	24.9	3.7	26.0	4.2	26.9	4.8	27.6	5.8	28.2	7.0	28.6	7.7
	116.0			22.9	3.6	24.3	3.9	25.5	4.4	26.5	5.1	27.4	6.0	28.0	7.2	28.4	8.0
160-40	29.0	40.6	2.0	41.8	2.4	42.5	2.9	43.1	3.4	43.5	4.1	43.9	5.2	44.0	6.5	44.5	7.3
	43.5	39.0	2.4	40.6	2.8	41.5	3.2	42.3	3.8	42.9	4.5	43.5	5.6	43.9	6.9	44.0	7.7
	58.0	37.5	2.8	39.5	3.2	40.6	3.6	41.6	4.2	42.3	4.9	43.0	6.0	43.5	7.3	43.9	8.1
	72.5	36.1	3.2	38.4	3.6	39.8	4.0	40.9	4.6	41.8	5.3	42.7	6.4	43.2	7.6	43.6	8.5
	87.0	34.7	3.5	37.5	4.0	39.0	4.4	40.3	5.0	41.3	5.6	42.3	6.7	42.9	8.0	43.4	8.9
160-56	29.0	56.8	2.5	58.6	3.0	59.4	3.5	60.3	4.1	60.8	4.9	61.2	6.1	61.6	7.6	62.1	8.5
	43.5	54.6	3.0	56.8	3.5	58.1	4.0	59.0	4.6	59.9	5.4	60.8	6.7	61.2	8.1	61.6	9.1
	58.0	52.4	3.6	55.5	4.0	56.8	4.5	58.1	5.2	59.0	6.0	60.3	7.2	60.8	8.7	61.2	9.6
	72.5	50.6	4.1	53.7	4.6	55.9	5.1	57.2	5.7	58.6	6.5	59.4	7.7	60.3	9.2	60.8	10.1

Blackmer reserves the right to change the data in the table without prior notice.

Speed n=1750 rpm

METRIC

Specification	Pressure ΔP bar	Viscosity (mm ² /s) (cSt)															
		1		15		35		75		150		350		750		1500	
		Capacity m ³ /h	Power kW	Capacity m ³ /h	Power kW	Capacity m ³ /h	Power kW	Capacity m ³ /h	Power kW	Capacity m ³ /h	Power kW	Capacity m ³ /h	Power kW	Capacity m ³ /h	Power kW	Capacity m ³ /h	Power kW
160-20	2	4.5	1.1	4.6	1.4	4.7	1.7	4.8	2.0	4.9	2.5	4.9	3.2	5.0	4.0	5.0	4.6
	3	4.3	1.2	4.5	1.5	4.6	1.8	4.7	2.2	4.8	2.6	4.9	3.3	4.9	4.2	5.0	4.7
	4	4.1	1.4	4.3	1.7	4.5	1.9	4.6	2.3	4.7	2.8	4.8	3.5	4.9	4.3	4.9	4.9
	5	3.9	1.5	4.2	1.8	4.4	2.1	4.5	2.5	4.6	2.9	4.8	3.6	4.8	4.5	4.9	5.0
	6	3.7	1.7	4.1	2.0	4.3	2.2	4.4	2.6	4.6	3.0	4.7	3.8	4.8	4.6	4.9	5.1
	7	3.5	1.8	3.9	2.1	4.2	2.4	4.4	2.7	4.5	3.2	4.7	3.9	4.8	4.7	4.8	5.3
	8			3.8	2.2	4.1	2.5	4.3	2.9	4.5	3.3	4.6	4.0	4.7	4.9	4.8	5.4
	9					4.0	2.7	4.2	3.0	4.4	3.5	4.6	4.2	4.7	5.0	4.8	5.6
	10					3.9	2.8	4.1	3.2	4.3	3.6	4.5	4.3	4.7	5.2	4.7	5.7
	160-27	2	6.1	1.2	6.3	1.5	6.4	1.8	6.5	2.2	6.6	2.6	6.6	3.4	6.7	4.2	6.7
3		5.8	1.4	6.1	1.7	6.2	2.0	6.3	2.4	6.5	2.8	6.5	3.6	6.6	4.4	6.7	5.0
4		5.5	1.6	5.9	1.9	6.1	2.2	6.2	2.6	6.4	3.0	6.5	3.8	6.6	4.6	6.6	5.2
5		5.3	1.8	5.7	2.1	5.9	2.4	6.1	2.7	6.3	3.2	6.4	3.9	6.5	4.8	6.6	5.4
6		5.1	2.0	5.5	2.3	5.8	2.6	6.0	2.9	6.2	3.4	6.3	4.1	6.5	5.0	6.5	5.6
7		4.8	2.2	5.4	2.5	5.7	2.7	5.9	3.1	6.1	3.6	6.3	4.3	6.4	5.2	6.5	5.7
8				5.2	2.7	5.5	2.9	5.8	3.3	6.0	3.8	6.2	4.5	6.4	5.4	6.5	5.9
9																	
160-40	2	9.2	1.5	9.5	1.8	9.7	2.1	9.8	2.6	9.9	3.1	10.0	3.9	10.0	4.9	10.1	5.5
	3	8.9	1.8	9.2	2.1	9.4	2.4	9.6	2.8	9.7	3.4	9.9	4.2	10.0	5.1	10.0	5.8
	4	8.5	2.1	9.0	2.4	9.2	2.7	9.5	3.1	9.6	3.6	9.8	4.5	9.9	5.4	10.0	6.0
	5	8.2	2.4	8.7	2.7	9.0	3.0	9.3	3.4	9.5	3.9	9.7	4.7	9.8	5.7	9.9	6.3
	6	7.9	2.6	8.5	3.0	8.9	3.3	9.2	3.7	9.4	4.2	9.6	5.0	9.8	6.0	9.9	6.6
	7																
160-56	2	12.9	1.9	13.3	2.2	13.5	2.6	13.7	3.1	13.8	3.6	13.9	4.6	14.0	5.7	14.1	6.4
	3	12.4	2.3	12.9	2.6	13.2	3.0	13.4	3.5	13.6	4.0	13.8	5.0	13.9	6.1	14.0	6.8
	4	11.9	2.7	12.6	3.0	12.9	3.4	13.2	3.9	13.4	4.4	13.7	5.4	13.8	6.5	13.9	7.2
	5	11.5	3.1	12.2	3.4	12.7	3.8	13.0	4.3	13.3	4.8	13.5	5.8	13.7	6.9	13.8	7.6
	6																



U.S. STANDARD

Speed n=1750 rpm

Specification	Pressure ΔP PSI	Viscosity (mm ² /s) (cSt)															
		1		15		35		75		150		350		750		1500	
		Capacity GPM	Power HP	Capacity GPM	Power HP	Capacity GPM	Power HP	Capacity GPM	Power HP	Capacity GPM	Power HP	Capacity GPM	Power HP	Capacity GPM	Power HP	Capacity GPM	Power HP
260-25	29.0	39.8	2.2	41.1	2.7	41.8	3.2	42.4	3.8	42.9	4.6	43.3	5.8	43.6	7.3	43.9	8.2
	43.5	38.0	2.5	39.8	3.0	40.8	3.5	41.6	4.2	42.2	4.9	42.8	6.2	43.3	7.7	43.6	8.6
	58.0	36.5	2.9	38.6	3.4	39.8	3.9	40.9	4.5	41.7	5.3	42.4	6.6	42.9	8.0	43.3	9.0
	72.5	35.0	3.3	37.5	3.8	38.9	4.3	40.2	4.9	41.1	5.7	42.0	7.0	42.6	8.4	43.0	9.4
	87.0	33.5	3.7	36.4	4.2	38.1	4.7	39.5	5.3	40.5	6.1	41.6	7.3	42.3	8.8	42.8	9.7
	101.5	32.1	4.1	35.4	4.6	37.2	5.0	38.8	5.7	40.1	6.5	41.2	7.7	42.0	9.2	42.5	10.1
	116.0	30.8	4.4	34.4	4.9	36.5	5.4	38.2	6.1	39.6	6.8	40.8	8.1	41.7	9.6	42.3	10.5
	130.5			33.5	5.3	35.7	5.8	37.6	6.4	39.1	7.2	40.5	8.5	41.4	9.9	42.1	10.9
	145.0				35.0	6.2	37.0	6.8	38.6	7.6	40.1	8.9	41.2	10.3	41.9	11.3	
260-34	29.0	54.2	2.5	55.5	3.1	56.4	3.6	57.2	4.3	57.7	5.1	58.1	6.5	58.6	8.0	59.0	9.0
	43.5	52.0	3.0	54.2	3.6	55.0	4.1	55.9	4.8	56.8	5.6	57.7	6.9	58.1	8.5	58.6	9.5
	58.0	50.2	3.5	52.4	4.1	54.2	4.6	55.0	5.3	56.4	6.1	57.2	7.5	57.7	9.0	58.1	10.0
	72.5	48.4	4.0	51.5	4.6	52.8	5.1	54.6	5.8	55.5	6.6	56.8	8.0	57.2	9.5	57.7	10.5
	87.0	46.7	4.6	50.2	5.1	52.0	5.6	53.7	6.3	55.0	7.1	55.9	8.5	56.8	10.0	57.7	11.0
	101.5	44.9	5.1	48.9	5.6	51.1	6.1	52.8	6.8	54.2	7.6	55.5	9.0	56.8	10.6	57.2	11.6
	116.0	43.5	5.6	47.6	6.1	50.2	6.6	52.0	7.3	53.7	8.1	55.0	9.5	56.4	11.0	56.8	12.1
260-50	29.0	81.9	3.2	84.1	3.8	85.0	4.3	86.3	5.1	86.7	6.0	87.6	7.4	88.1	9.2	88.5	10.3
	43.5	79.3	3.9	81.9	4.5	83.7	5.1	85.0	5.8	85.9	6.7	86.7	8.2	87.6	9.9	88.1	11.0
	58.0	77.0	4.7	80.1	5.3	81.9	5.8	83.7	6.6	85.0	7.5	86.3	9.0	86.7	10.7	87.6	11.8
	72.5	74.4	5.5	78.4	6.0	80.6	6.6	82.8	7.3	84.1	8.3	85.4	9.7	86.3	11.4	87.2	12.5
	87.0	72.2	6.2	77.0	6.8	79.3	7.3	81.5	8.1	83.2	9.0	85.0	10.5	85.9	12.2	86.7	13.3
260-72	29.0	118.4	4.0	121.1	4.6	122.8	5.2	124.2	6.1	125.0	7.1	125.9	8.7	126.8	10.5	127.2	11.7
	43.5	114.5	5.1	118.0	5.7	120.2	6.3	122.4	7.2	123.7	8.2	125.0	9.8	125.9	11.6	126.8	12.8
	58.0	111.0	6.2	115.8	6.8	118.4	7.4	120.6	8.2	122.4	9.3	124.2	10.8	125.0	12.7	125.9	13.9
	72.5	107.4	7.3	113.2	7.9	116.2	8.5	118.9	9.3	121.1	10.4	123.3	11.9	124.6	13.8	125.5	15.0

Blackmer reserves the right to change the data in the table without prior notice.

Speed n=1750 rpm

METRIC

Specification	Pressure ΔP bar	Viscosity (mm ² /s) (cSt)															
		1		15		35		75		150		350		750		1500	
		Capacity m ³ /h	Power kW	Capacity m ³ /h	Power kW	Capacity m ³ /h	Power kW	Capacity m ³ /h	Power kW	Capacity m ³ /h	Power kW	Capacity m ³ /h	Power kW	Capacity m ³ /h	Power kW	Capacity m ³ /h	Power kW
260-25	2	9.0	1.6	9.3	2.0	9.5	2.4	9.6	2.8	9.7	3.4	9.8	4.3	9.9	5.4	10.0	6.1
	3	8.6	1.9	9.0	2.3	9.3	2.6	9.5	3.1	9.6	3.7	9.7	4.6	9.8	5.7	9.9	6.4
	4	8.3	2.2	8.8	2.6	9.0	2.9	9.3	3.4	9.5	4.0	9.6	4.9	9.8	6.0	9.8	6.7
	5	7.9	2.5	8.5	2.8	8.8	3.2	9.1	3.7	9.3	4.3	9.5	5.2	9.7	6.3	9.8	7.0
	6	7.6	2.8	8.3	3.1	8.7	3.5	9.0	4.0	9.2	4.5	9.4	5.5	9.6	6.6	9.7	7.3
	7	7.3	3.0	8.0	3.4	8.5	3.8	8.8	4.2	9.1	4.8	9.4	5.8	9.5	6.8	9.7	7.5
	8	7.0	3.3	7.8	3.7	8.3	4.0	8.7	4.5	9.0	5.1	9.3	6.0	9.5	7.1	9.6	7.8
	9			7.6	4.0	8.1	4.3	8.5	4.8	8.9	5.4	9.2	6.3	9.4	7.4	9.6	8.1
	10					7.9	4.6	8.4	5.1	8.8	5.7	9.1	6.6	9.4	7.7	9.5	8.4
	260-34	2	12.3	1.9	12.6	2.3	12.8	2.7	13.0	3.2	13.1	3.8	13.2	4.8	13.3	6.0	13.4
3		11.8	2.3	12.3	2.7	12.5	3.0	12.7	3.6	12.9	4.2	13.1	5.2	13.2	6.4	13.3	7.1
4		11.4	2.6	11.9	3.0	12.3	3.4	12.5	3.9	12.8	4.6	13.0	5.6	13.1	6.7	13.2	7.5
5		11.0	3.0	11.7	3.4	12.0	3.8	12.4	4.3	12.6	4.9	12.9	5.9	13.0	7.1	13.1	7.9
6		10.6	3.4	11.4	3.8	11.8	4.2	12.2	4.7	12.5	5.3	12.7	6.3	12.9	7.5	13.1	8.2
7		10.2	3.8	11.1	4.2	11.6	4.6	12.0	5.1	12.3	5.7	12.6	6.7	12.9	7.9	13.0	8.6
8		9.9	4.2	10.8	4.6	11.4	4.9	11.8	5.4	12.2	6.1	12.5	7.1	12.8	8.2	12.9	9.0
260-50		2	18.6	2.4	19.1	2.8	19.3	3.2	19.6	3.8	19.7	4.5	19.9	5.6	20.0	6.8	20.1
	3	18.0	2.9	18.6	3.4	19.0	3.8	19.3	4.3	19.5	5.0	19.7	6.1	19.9	7.4	20.0	8.2
	4	17.5	3.5	18.2	3.9	18.6	4.4	19.0	4.9	19.3	5.6	19.6	6.7	19.7	8.0	19.9	8.8
	5	16.9	4.1	17.8	4.5	18.3	4.9	18.8	5.5	19.1	6.2	19.4	7.3	19.6	8.5	19.8	9.4
	6	16.4	4.6	17.5	5.1	18.0	5.5	18.5	6.0	18.9	6.7	19.3	7.8	19.5	9.1	19.7	9.9
	260-72	2	26.9	3.0	27.5	3.5	27.9	3.9	28.2	4.5	28.4	5.3	28.6	6.5	28.8	7.9	28.9
3		26.0	3.8	26.8	4.3	27.3	4.7	27.8	5.3	28.1	6.1	28.4	7.3	28.6	8.7	28.8	9.6
4		25.2	4.6	26.3	5.1	26.9	5.5	27.4	6.2	27.8	6.9	28.2	8.1	28.4	9.5	28.6	10.4
5		24.4	5.4	25.7	5.9	26.4	6.4	27.0	7.0	27.5	7.7	28.0	8.9	28.3	10.3	28.5	11.2



2 H SERIES

280 PERFORMANCE @ 60Hz

U.S. STANDARD

Speed n=1750 rpm

Specification	Pressure ΔP PSI	Viscosity (mm ² /s) (cSt)															
		1		15		35		75		150		350		750		1500	
		Capacity GPM	Power HP	Capacity GPM	Power HP	Capacity GPM	Power HP	Capacity GPM	Power HP	Capacity GPM	Power HP	Capacity GPM	Power HP	Capacity GPM	Power HP	Capacity GPM	Power HP
280-20	29.0	42.0	2.8	43.4	3.5	44.0	4.2	44.9	5.1	45.3	6.2	45.8	8.0	46.2	10.0	46.7	11.3
	58.0	38.2	3.7	40.6	4.4	42.0	5.0	43.1	5.9	44.0	7.0	44.9	8.8	45.3	10.8	45.8	12.2
	87.0	34.9	4.5	38.1	5.2	40.0	5.9	41.6	6.8	42.8	7.9	43.9	9.6	44.9	11.7	45.3	13.0
	116.0	31.9	5.4	35.9	6.1	38.2	6.7	40.2	7.6	41.7	8.7	43.1	10.5	44.0	12.5	44.9	13.8
	145.0	29.1	6.2	33.8	6.9	36.5	7.6	38.8	8.5	40.6	9.6	42.3	11.3	43.5	13.4	44.5	14.8
	174.0	26.3	7.1	31.8	7.8	34.9	8.4	37.6	9.3	39.6	10.4	41.6	12.2	42.9	14.2	43.8	15.6
	203.1			29.9	8.6	33.4	9.3	36.4	10.2	38.7	11.3	40.8	13.0	42.3	15.0	43.4	16.4
	232.1					31.9	10.1	35.2	11.0	37.7	12.1	40.1	13.8	41.8	16.0	42.9	17.3
	261.1							34.1	11.9	36.9	13.0	39.4	14.8	41.3	16.8	42.5	18.1
	290.1							33.0	12.7	36.0	13.8	38.8	15.6	40.7	17.6	42.1	18.9
	319.1									35.1	14.6	38.1	16.4	40.2	18.5	41.7	19.7
348.1										15.6	37.5	17.3	39.8	19.3	41.3	20.7	
280-27	29.0	56.4	3.3	58.1	4.0	59.4	4.7	60.3	5.7	60.8	6.9	61.6	8.7	62.1	10.9	62.5	12.3
	58.0	51.1	4.4	54.6	5.1	56.4	5.8	57.7	6.8	59.0	8.0	60.3	9.9	60.8	12.1	61.6	13.4
	87.0	46.7	5.5	51.1	6.3	53.7	7.0	55.9	7.9	57.2	9.1	59.0	11.0	59.9	13.2	60.8	14.6
	116.0	42.8	6.7	48.4	7.4	51.5	8.1	53.7	9.1	55.9	10.3	57.7	12.1	59.0	14.3	59.9	15.7
	145.0	39.1	7.8	45.3	8.5	48.9	9.3	52.0	10.2	54.6	11.4	56.8	13.3	58.1	15.4	59.4	16.9
	174.0			42.8	9.7	47.1	10.4	50.6	11.3	53.3	12.5	55.9	14.3	57.7	16.6	58.6	18.0
	203.1					44.9	11.5	48.9	12.5	52.0	13.7	54.6	15.6	56.8	17.7	58.1	19.2
	232.1									50.6	14.8	53.7	16.6	55.9	18.9	57.7	20.2
	261.1									49.3	16.0	52.8	17.8	55.5	20.0	57.2	21.5
	290.1									48.4	17.0	52.0	18.9	54.6	21.2	56.4	22.5
280-40	29.0	86.3	4.0	88.5	4.8	89.8	5.5	91.1	6.5	92.0	7.8	92.9	9.8	93.3	12.1	93.8	13.7
	58.0	80.1	5.7	84.1	6.5	86.3	7.2	88.1	8.2	89.8	9.5	91.1	11.5	92.0	13.8	92.9	15.3
	87.0	74.4	7.4	80.1	8.2	83.2	8.9	85.9	9.9	87.6	11.2	89.4	13.2	90.7	15.6	92.0	17.0
	116.0	69.6	9.1	76.2	9.9	80.1	10.6	83.2	11.6	85.9	12.9	88.1	14.9	89.8	17.2	91.1	18.8
	145.0			72.6	11.5	77.0	12.3	81.0	13.3	84.1	14.6	86.7	16.6	88.9	18.9	90.3	20.4
	174.0					74.4	13.9	78.8	15.0	82.3	16.4	85.4	18.2	87.6	20.7	89.4	22.1
	203.1							77.0	16.8	80.6	18.0	84.5	20.0	86.7	22.3	88.5	23.9
	232.1									79.3	19.7	83.2	21.7	85.9	24.0	88.1	25.5
280-56	29.0	121.1	4.9	124.6	5.8	126.4	6.6	127.7	7.7	129.0	9.1	130.3	11.3	131.2	13.9	131.6	15.6
	58.0	112.7	7.3	118.0	8.2	121.1	9.0	123.7	10.1	125.9	11.5	127.7	13.7	129.0	16.4	130.3	18.0
	87.0			112.7	10.5	116.7	11.4	120.2	12.5	123.3	13.9	125.9	16.1	127.7	18.6	129.0	20.4
	116.0							117.1	14.9	120.6	16.2	123.7	18.5	125.9	21.1	127.7	22.8
	145.0									118.0	18.6	122.0	20.9	124.6	23.5	126.4	25.1

Blackmer reserves the right to change the data in the table without prior notice.



Speed n=1750 rpm

METRIC

Specification	Pressure ΔP bar	Viscosity (mm ² /s) (cSt)															
		1		15		35		75		150		350		750		1500	
		Capacity m ³ /h	Power kW	Capacity m ³ /h	Power kW	Capacity m ³ /h	Power kW	Capacity m ³ /h	Power kW	Capacity m ³ /h	Power kW	Capacity m ³ /h	Power kW	Capacity m ³ /h	Power kW	Capacity m ³ /h	Power kW
280-20	2	9.5	2.1	9.9	2.6	10.0	3.1	10.2	3.8	10.3	4.6	10.4	5.9	10.5	7.5	10.6	8.4
	4	8.7	2.7	9.2	3.3	9.5	3.8	9.8	4.4	10.0	5.3	10.2	6.6	10.3	8.1	10.4	9.1
	6	7.9	3.4	8.7	3.9	9.1	4.4	9.4	5.1	9.7	5.9	10.0	7.2	10.2	8.7	10.3	9.7
	8	7.2	4.0	8.2	4.5	8.7	5.0	9.1	5.7	9.5	6.5	9.8	7.8	10.0	9.4	10.2	10.3
	10	6.6	4.6	7.7	5.2	8.3	5.7	8.8	6.3	9.2	7.1	9.6	8.5	9.9	10.0	10.1	11.0
	12	6.0	5.3	7.2	5.8	7.9	6.3	8.5	7.0	9.0	7.8	9.4	9.1	9.7	10.6	10.0	11.6
	14			6.8	6.4	7.6	6.9	8.3	7.6	8.8	8.4	9.3	9.7	9.6	11.2	9.9	12.2
	16					7.3	7.5	8.0	8.2	8.6	9.0	9.1	10.3	9.5	11.9	9.8	12.9
	18							7.7	8.8	8.4	9.7	9.0	11.0	9.4	12.5	9.7	13.5
	20							7.5	9.5	8.2	10.3	8.8	11.6	9.3	13.1	9.6	14.1
	22									8.0	10.9	8.7	12.2	9.1	13.8	9.5	14.7
24									7.8	11.6	8.5	12.9	9.0	14.4	9.4	15.4	
280-27	2	12.8	2.4	13.2	3.0	13.5	3.5	13.7	4.2	13.8	5.1	14.0	6.5	14.1	8.2	14.2	9.2
	4	11.6	3.3	12.4	3.8	12.8	4.4	13.1	5.1	13.4	6.0	13.7	7.4	13.8	9.0	14.0	10.0
	6	10.6	4.1	11.6	4.7	12.2	5.2	12.7	5.9	13.0	6.8	13.4	8.2	13.6	9.8	13.8	10.9
	8	9.7	5.0	11.0	5.5	11.7	6.1	12.2	6.8	12.7	7.7	13.1	9.0	13.4	10.7	13.6	11.7
	10	8.9	5.8	10.3	6.4	11.1	6.9	11.8	7.6	12.4	8.5	12.9	9.9	13.2	11.5	13.5	12.6
	12			9.7	7.2	10.7	7.7	11.5	8.5	12.1	9.3	12.7	10.7	13.1	12.4	13.3	13.4
	14					10.2	8.6	11.1	9.3	11.8	10.2	12.4	11.6	12.9	13.2	13.2	14.3
	16									11.5	11.0	12.2	12.4	12.7	14.1	13.1	15.1
	18									11.2	11.9	12.0	13.3	12.6	14.9	13.0	16.0
20									11.0	12.7	11.8	14.1	12.4	15.8	12.8	16.8	
280-40	2	19.6	3.0	20.1	3.6	20.4	4.1	20.7	4.9	20.9	5.8	21.1	7.3	21.2	9.1	21.3	10.2
	4	18.2	4.2	19.1	4.8	19.6	5.4	20.0	6.2	20.4	7.1	20.7	8.6	20.9	10.3	21.1	11.4
	6	16.9	5.5	18.2	6.1	18.9	6.7	19.5	7.4	19.9	8.4	20.3	9.8	20.6	11.6	20.9	12.7
	8	15.8	6.8	17.3	7.4	18.2	7.9	18.9	8.7	19.5	9.6	20.0	11.1	20.4	12.8	20.7	14.0
	10			16.5	8.6	17.5	9.2	18.4	10.0	19.1	10.9	19.7	12.4	20.2	14.1	20.5	15.2
	12					16.9	10.4	17.9	11.2	18.7	12.2	19.4	13.6	19.9	15.4	20.3	16.5
	14							17.5	12.5	18.3	13.4	19.2	14.9	19.7	16.6	20.1	17.8
	16									18.0	14.7	18.9	16.2	19.5	17.9	20.0	19.0
280-56	2	27.5	3.7	28.3	4.3	28.7	4.9	29.0	5.8	29.3	6.8	29.6	8.5	29.8	10.4	29.9	11.6
	4	25.6	5.4	26.8	6.1	27.5	6.7	28.1	7.6	28.6	8.6	29.0	10.2	29.3	12.2	29.6	13.4
	6			25.6	7.9	26.5	8.5	27.3	9.3	28.0	10.4	28.6	12.0	29.0	13.9	29.3	15.2
	8							26.6	11.1	27.4	12.1	28.1	13.8	28.6	15.7	29.0	17.0
	10									26.8	13.9	27.7	15.6	28.3	17.5	28.7	18.7

Blackmer reserves the right to change the data in the table without prior notice.



U.S. STANDARD

Speed n=1750 rpm

Specification	Pressure ΔP PSI	Viscosity (mm ² /s) (cSt)															
		1		15		35		75		150		350		750		1500	
		Capacity GPM	Power HP	Capacity GPM	Power HP	Capacity GPM	Power HP	Capacity GPM	Power HP	Capacity GPM	Power HP	Capacity GPM	Power HP	Capacity GPM	Power HP	Capacity GPM	Power HP
360-30	29.0	71.3	3.3	73.1	4.0	74.0	4.7	74.8	5.6	75.3	6.7	75.7	8.4	76.2	10.5	76.6	11.8
	43.5	69.1	4.0	71.3	4.7	72.6	5.3	73.5	6.2	74.4	7.3	75.3	9.1	75.7	11.1	76.2	12.4
	58.0	67.4	4.6	70.0	5.3	71.3	6.0	72.6	6.9	73.5	8.0	74.4	9.7	75.3	11.8	75.7	13.1
	72.5	65.6	5.3	68.7	6.0	70.4	6.6	71.8	7.5	73.1	8.6	74.0	10.4	74.8	12.4	75.3	13.8
	87.0	63.8	5.9	67.4	6.6	69.1	7.3	70.9	8.2	72.2	9.3	73.5	11.0	74.4	13.1	75.3	14.3
	101.5	62.1	6.6	66.0	7.3	68.2	7.9	70.0	8.8	71.8	10.0	73.1	11.7	74.0	13.8	74.8	15.0
	116.0	60.3	7.2	64.7	7.9	67.4	8.6	69.6	9.5	71.3	10.6	72.6	12.4	74.0	14.3	74.4	15.7
	130.5			63.4	8.6	66.5	9.3	68.7	10.2	70.4	11.3	72.2	13.0	73.5	15.0	74.4	16.4
	145.0			62.5	9.2	65.6	9.9	67.8	10.8	70.0	11.9	71.8	13.7	73.1	15.7	74.0	17.0
360-40	29.0	96.0	3.8	97.7	4.5	99.1	5.2	99.9	6.1	100.4	7.2	101.3	9.0	101.7	11.1	102.1	12.4
	43.5	93.3	4.6	96.0	5.4	97.3	6.0	98.6	6.9	99.5	8.1	100.4	9.8	101.3	11.9	101.7	13.3
	58.0	91.1	5.5	94.2	6.2	96.0	6.9	97.7	7.8	98.6	8.9	99.9	10.7	100.8	12.8	101.3	14.2
	72.5	88.9	6.4	92.5	7.1	94.7	7.8	96.4	8.7	97.7	9.8	99.1	11.6	99.9	13.7	100.8	15.0
	87.0	86.7	7.3	91.1	8.0	93.3	8.6	95.5	9.6	97.3	10.7	98.6	12.5	99.5	14.6	100.4	16.0
	101.5			89.4	8.9	92.0	9.5	94.7	10.4	96.4	11.6	98.2	13.3	99.1	15.4	99.9	16.8
	116.0			88.1	9.7	91.1	10.4	93.8	11.3	95.5	12.4	97.3	14.2	98.6	16.4	99.9	17.7
360-60	29.0	144.4	4.7	147.1	5.4	148.4	6.1	149.7	7.1	150.6	8.2	151.9	10.1	152.3	12.2	152.8	13.7
	43.5	140.9	6.0	144.4	6.7	146.6	7.4	148.4	8.4	149.3	9.6	150.6	11.4	151.5	13.5	152.3	14.9
	58.0	137.8	7.3	142.2	8.0	144.4	8.8	146.6	9.7	148.4	10.9	149.7	12.7	151.0	14.9	151.5	16.2
	72.5	134.7	8.6	140.0	9.4	142.7	10.1	145.3	11.0	147.1	12.2	148.8	13.9	150.1	16.2	151.0	17.6
	87.0			137.8	10.7	140.9	11.4	144.0	12.3	146.2	13.4	147.9	15.3	149.7	17.4	150.6	18.9
360-80	29.0	190.2	5.7	194.6	6.5	196.8	7.3	199.0	8.3	200.3	9.5	202.1	11.5	203.0	13.8	203.8	15.3
	43.5	184.5	7.5	190.2	8.3	193.3	9.0	196.4	10.0	198.6	11.3	200.3	13.3	201.6	15.6	203.0	17.0
	58.0	179.2	9.2	186.2	10.0	190.2	10.8	193.7	11.8	196.4	13.0	199.0	15.0	200.8	17.3	201.6	18.8
	72.5			182.3	11.8	187.1	12.5	191.5	8.2	194.6	8.9	197.7	16.8	199.4	11.4	201.2	20.5

Blackmer reserves the right to change the data in the table without prior notice.

Speed n=1750 rpm

METRIC

Specification	Pressure ΔP bar	Viscosity (mm ² /s) (cSt)															
		1		15		35		75		150		350		750		1500	
		Capacity m ³ /h	Power kW	Capacity m ³ /h	Power kW	Capacity m ³ /h	Power kW	Capacity m ³ /h	Power kW	Capacity m ³ /h	Power kW	Capacity m ³ /h	Power kW	Capacity m ³ /h	Power kW	Capacity m ³ /h	Power kW
360-30	2	16.2	2.5	16.6	3.0	16.8	3.5	17.0	4.2	17.1	5.0	17.2	6.3	17.3	7.8	17.4	8.8
	3	15.7	3.0	16.2	3.5	16.5	4.0	16.7	4.6	16.9	5.5	17.1	6.8	17.2	8.3	17.3	9.3
	4	15.3	3.4	15.9	4.0	16.2	4.5	16.5	5.1	16.7	6.0	16.9	7.3	17.1	8.8	17.2	9.8
	5	14.9	3.9	15.6	4.4	16.0	4.9	16.3	5.6	16.6	6.4	16.8	7.7	17.0	9.3	17.1	10.3
	6	14.5	4.4	15.3	4.9	15.7	5.4	16.1	6.1	16.4	6.9	16.7	8.2	16.9	9.8	17.1	10.7
	7	14.1	4.9	15.0	5.4	15.5	5.9	15.9	6.6	16.3	7.4	16.6	8.7	16.8	10.3	17.0	11.2
	8	13.7	5.4	14.7	5.9	15.3	6.4	15.8	7.1	16.2	7.9	16.5	9.2	16.8	10.7	16.9	11.7
	9			14.4	6.4	15.1	6.9	15.6	7.6	16.0	8.4	16.4	9.7	16.7	11.2	16.9	12.2
	10			14.2	6.9	14.9	7.4	15.4	8.1	15.9	8.9	16.3	10.2	16.6	11.7	16.8	12.7
	360-40	2	21.8	2.8	22.2	3.3	22.5	3.9	22.7	4.5	22.8	5.4	23.0	6.7	23.1	8.3	23.2
3		21.2	3.5	21.8	4.0	22.1	4.5	22.4	5.2	22.6	6.0	22.8	7.3	23.0	8.9	23.1	9.9
4		20.7	4.1	21.4	4.6	21.8	5.2	22.2	5.8	22.4	6.7	22.7	8.0	22.9	9.6	23.0	10.6
5		20.2	4.8	21.0	5.3	21.5	5.8	21.9	6.5	22.2	7.3	22.5	8.7	22.7	10.2	22.9	11.2
6		19.7	5.4	20.7	6.0	21.2	6.5	21.7	7.1	22.1	8.0	22.4	9.3	22.6	10.9	22.8	11.9
7				20.3	6.6	20.9	7.1	21.5	7.8	21.9	8.6	22.3	10.0	22.5	11.5	22.7	12.5
8				20.0	7.3	20.7	7.8	21.3	8.4	21.7	9.3	22.1	10.6	22.4	12.2	22.7	13.2
360-60		2	32.8	3.5	33.4	4.1	33.7	4.6	34.0	5.3	34.2	6.2	34.5	7.5	34.6	9.1	34.7
	3	32.0	4.5	32.8	5.0	33.3	5.6	33.7	6.3	33.9	7.1	34.2	8.5	34.4	10.1	34.6	11.1
	4	31.3	5.5	32.3	6.0	32.8	6.5	33.3	7.2	33.7	8.1	34.0	9.5	34.3	11.1	34.4	12.1
	5	30.6	6.4	31.8	7.0	32.4	7.5	33.0	8.2	33.4	9.1	33.8	10.4	34.1	12.1	34.3	13.1
	6			31.3	8.0	32.0	8.5	32.7	9.2	33.2	10.0	33.6	11.4	34.0	13.0	34.2	14.1
	360-80	2	43.2	4.3	44.2	4.9	44.7	5.4	45.2	6.2	45.5	7.1	45.9	8.6	46.1	10.3	46.3
3		41.9	5.6	43.2	6.2	43.9	6.7	44.6	7.5	45.1	8.4	45.5	9.9	45.8	11.6	46.1	12.7
4		40.7	6.9	42.3	7.5	43.2	8.0	44.0	8.8	44.6	9.7	45.2	11.2	45.6	12.9	45.8	14.0
5				41.4	8.8	42.5	9.3	43.5	10.1	44.2	11.0	44.9	12.5	45.3	14.2	45.7	15.3



2 H S E R I E S

560 PERFORMANCE @ 60Hz

U.S. STANDARD

Speed n=1750 rpm

Specification	Pressure ΔP PSI	Viscosity (mm ² /s) (cSt)															
		1		15		35		75		150		350		750		1500	
		Capacity GPM	Power HP	Capacity GPM	Power HP	Capacity GPM	Power HP	Capacity GPM	Power HP	Capacity GPM	Power HP	Capacity GPM	Power HP	Capacity GPM	Power HP	Capacity GPM	Power HP
560-25	29.0	85.9	4.2	88.1	5.1	89.4	5.9	90.3	7.0	91.1	8.4	92.0	10.6	92.5	13.2	92.9	14.9
	58.0	79.7	5.9	83.7	6.7	85.9	7.6	87.6	8.7	88.9	10.1	90.3	12.3	91.1	14.9	92.0	16.6
	87.0	74.8	7.5	79.7	8.4	82.8	9.3	85.0	10.4	87.2	11.8	88.9	13.9	90.3	16.6	91.1	18.2
	116.0	70.0	9.2	76.2	10.1	79.7	11.0	82.8	12.1	85.4	13.5	87.6	15.7	88.9	18.2	90.3	20.0
	145.0	65.6	10.9	73.1	11.8	77.0	12.6	81.0	13.8	83.7	15.2	86.3	17.3	88.1	20.0	89.4	21.6
	174.0	61.2	12.6	69.6	13.4	74.8	14.3	78.8	15.4	81.9	16.9	85.0	19.0	87.2	21.6	88.5	23.3
	203.1			66.9	15.2	72.2	16.0	77.0	17.2	80.6	18.5	84.1	20.8	86.3	23.3	88.1	24.9
	232.1			63.8	16.9	70.0	17.7	75.3	18.8	79.3	20.2	82.8	22.4	85.4	24.9	87.2	26.7
	261.1					67.8	19.3	73.5	20.5	77.5	21.9	81.9	24.1	84.5	26.7	86.7	28.3
	290.1					65.6	21.1	71.8	22.1	76.2	23.6	80.6	25.7	83.7	28.3	85.9	30.0
	319.1							70.0	23.9	74.8	25.2	79.7	27.5	83.2	30.0	85.4	31.6
	348.1							68.2	25.5	73.5	27.0	78.8	29.1	82.3	31.8	85.0	33.4
560-34	29.0	116.2	5.1	118.9	6.1	120.2	7.1	121.5	8.3	122.4	9.9	123.3	12.4	124.2	15.4	124.6	17.3
	58.0	109.6	7.3	114.0	8.3	116.2	9.3	118.4	10.6	120.2	12.2	121.5	14.8	122.4	17.7	123.3	19.6
	87.0	103.9	9.6	109.6	10.6	112.7	11.5	115.8	12.8	118.0	14.5	119.8	16.9	121.5	19.8	122.4	21.7
	116.0	98.6	11.8	105.7	12.8	109.6	13.8	113.2	15.2	115.8	16.6	118.4	19.2	120.2	22.1	121.5	24.0
	145.0	93.3	14.1	101.7	15.2	106.5	16.1	111.0	17.3	114.0	18.9	117.1	21.5	118.9	24.4	120.6	26.3
	174.0	88.5	16.4	98.2	17.3	103.9	18.2	108.7	19.6	112.3	21.2	115.8	23.7	118.0	26.7	119.8	28.6
	203.1	84.1	18.6	94.7	19.6	101.3	20.5	106.5	21.9	110.5	23.5	114.5	25.9	117.1	28.8	118.9	30.7
	232.1			91.6	21.9	98.6	22.8	104.3	24.1	108.7	25.6	113.2	28.2	116.2	31.1	118.0	33.0
	261.1					96.0	25.1	102.1	26.3	107.4	27.9	111.8	30.4	114.9	33.4	117.6	35.3
	290.1							100.4	28.6	105.7	30.2	111.0	32.7	114.0	35.7	116.7	37.5
560-50	29.0	173.9	6.5	177.9	7.6	180.1	8.7	182.3	10.1	183.6	11.8	184.9	14.6	185.8	17.8	186.7	20.0
	58.0	163.8	9.9	170.4	11.0	173.9	12.0	177.4	13.4	179.6	15.2	182.3	18.0	183.6	21.2	184.9	23.3
	87.0	154.5	13.3	163.8	14.3	168.6	15.4	173.0	16.9	176.6	18.6	179.6	21.3	181.8	24.7	183.2	26.7
	116.0	146.2	16.6	157.6	17.7	163.8	18.8	169.1	20.2	173.5	22.0	177.4	24.7	180.1	28.0	181.8	30.0
	145.0	138.2	20.0	151.5	21.1	158.9	22.1	165.5	23.6	170.4	25.3	175.2	28.2	178.3	31.4	180.5	33.4
	174.0			146.2	24.5	154.5	25.5	162.0	27.0	167.7	28.7	173.0	31.5	176.6	34.7	179.2	36.7
	203.1					150.6	29.0	158.5	30.3	165.1	32.0	170.8	34.9	175.2	38.1	177.9	40.2
	232.1							155.4	33.7	162.5	35.4	169.1	38.2	173.5	41.4	177.0	43.6
560-72	29.0	251.0	8.8	256.7	10.2	259.8	11.5	262.4	13.3	264.6	15.6	266.4	18.9	267.7	23.1	269.0	25.6
	58.0	236.0	13.7	245.7	15.0	251.0	16.4	255.4	18.1	258.9	20.4	262.4	23.9	264.6	27.9	266.4	30.6
	87.0			236.0	19.8	243.0	21.2	249.2	23.1	254.0	25.2	258.9	28.7	262.0	32.7	264.2	35.4
	116.0					236.0	26.0	243.9	27.9	249.6	30.0	255.4	33.5	259.3	37.7	262.0	40.2
	145.0							238.6	32.7	245.7	34.9	252.3	38.4	256.7	42.5	260.2	45.1

Blackmer reserves the right to change the data in the table without prior notice.

Speed n=1750 rpm

METRIC

Specification	Pressure ΔP bar	Viscosity (mm ² /s) (cSt)															
		1		15		35		75		150		350		750		1500	
		Capacity m ³ /h	Power kW	Capacity m ³ /h	Power kW	Capacity m ³ /h	Power kW	Capacity m ³ /h	Power kW	Capacity m ³ /h	Power kW	Capacity m ³ /h	Power kW	Capacity m ³ /h	Power kW	Capacity m ³ /h	Power kW
560-25	2	19.5	3.1	20.0	3.8	20.3	4.4	20.5	5.3	20.7	6.3	20.9	7.9	21.0	9.9	21.1	11.1
	4	18.1	4.4	19.0	5.0	19.5	5.7	19.9	6.5	20.2	7.5	20.5	9.2	20.7	11.1	20.9	12.4
	6	17.0	5.6	18.1	6.3	18.8	6.9	19.3	7.8	19.8	8.8	20.2	10.4	20.5	12.4	20.7	13.6
	8	15.9	6.9	17.3	7.5	18.1	8.2	18.8	9.0	19.4	10.1	19.9	11.7	20.2	13.6	20.5	14.9
	10	14.9	8.1	16.6	8.8	17.5	9.4	18.4	10.3	19.0	11.3	19.6	12.9	20.0	14.9	20.3	16.1
	12	13.9	9.4	15.8	10.0	17.0	10.7	17.9	11.5	18.6	12.6	19.3	14.2	19.8	16.1	20.1	17.4
	14			15.2	11.3	16.4	11.9	17.5	12.8	18.3	13.8	19.1	15.5	19.6	17.4	20.0	18.6
	16			14.5	12.6	15.9	13.2	17.1	14.0	18.0	15.1	18.8	16.7	19.4	18.6	19.8	19.9
	18					15.4	14.4	16.7	15.3	17.6	16.3	18.6	18.0	19.2	19.9	19.7	21.1
	20					14.9	15.7	16.3	16.5	17.3	17.6	18.3	19.2	19.0	21.1	19.5	22.4
	22							15.9	17.8	17.0	18.8	18.1	20.5	18.9	22.4	19.4	23.6
24							15.5	19.0	16.7	20.1	17.9	21.7	18.7	23.7	19.3	24.9	
560-34	2	26.4	3.8	27.0	4.6	27.3	5.3	27.6	6.2	27.8	7.4	28.0	9.3	28.2	11.5	28.3	12.9
	4	24.9	5.5	25.9	6.2	26.4	6.9	26.9	7.9	27.3	9.1	27.6	11.0	27.8	13.2	28.0	14.6
	6	23.6	7.2	24.9	7.9	25.6	8.6	26.3	9.6	26.8	10.8	27.2	12.6	27.6	14.8	27.8	16.2
	8	22.4	8.8	24.0	9.6	24.9	10.3	25.7	11.3	26.3	12.4	26.9	14.3	27.3	16.5	27.6	17.9
	10	21.2	10.5	23.1	11.3	24.2	12.0	25.2	12.9	25.9	14.1	26.6	16.0	27.0	18.2	27.4	19.6
	12	20.1	12.2	22.3	12.9	23.6	13.6	24.7	14.6	25.5	15.8	26.3	17.7	26.8	19.9	27.2	21.3
	14	19.1	13.9	21.5	14.6	23.0	15.3	24.2	16.3	25.1	17.5	26.0	19.3	26.6	21.5	27.0	22.9
	16			20.8	16.3	22.4	17.0	23.7	18.0	24.7	19.1	25.7	21.0	26.4	23.2	26.8	24.6
	18					21.8	18.7	23.2	19.6	24.4	20.8	25.4	22.7	26.1	24.9	26.7	26.3
20							22.8	21.3	24.0	22.5	25.2	24.4	25.9	26.6	26.5	28.0	
560-50	2	39.5	4.9	40.4	5.7	40.9	6.5	41.4	7.5	41.7	8.8	42.0	10.9	42.2	13.3	42.4	14.9
	4	37.2	7.4	38.7	8.2	39.5	9.0	40.3	10.0	40.8	11.3	41.4	13.4	41.7	15.8	42.0	17.4
	6	35.1	9.9	37.2	10.7	38.3	11.5	39.3	12.6	40.1	13.9	40.8	15.9	41.3	18.4	41.6	19.9
	8	33.2	12.4	35.8	13.2	37.2	14.0	38.4	15.1	39.4	16.4	40.3	18.4	40.9	20.9	41.3	22.4
	10	31.4	14.9	34.4	15.7	36.1	16.5	37.6	17.6	38.7	18.9	39.8	21.0	40.5	23.4	41.0	24.9
	12			33.2	18.3	35.1	19.0	36.8	20.1	38.1	21.4	39.3	23.5	40.1	25.9	40.7	27.4
	14					34.2	21.6	36.0	22.6	37.5	23.9	38.8	26.0	39.8	28.4	40.4	30.0
16							35.3	25.1	36.9	26.4	38.4	28.5	39.4	30.9	40.2	32.5	
560-72	2	57.0	6.6	58.3	7.6	59.0	8.6	59.6	9.9	60.1	11.6	60.5	14.1	60.8	17.2	61.1	19.1
	4	53.6	10.2	55.8	11.2	57.0	12.2	58.0	13.5	58.8	15.2	59.6	17.8	60.1	20.8	60.5	22.8
	6			53.6	14.8	55.2	15.8	56.6	17.2	57.7	18.8	58.8	21.4	59.5	24.4	60.0	26.4
	8					53.6	19.4	55.4	20.8	56.7	22.4	58.0	25.0	58.9	28.1	59.5	30.0
	10							54.2	24.4	55.8	26.0	57.3	28.6	58.3	31.7	59.1	33.6

Blackmer reserves the right to change the data in the table without prior notice.



2 H SERIES

800 PERFORMANCE @ 60Hz

U.S. STANDARD

Speed n=1750 rpm

Specification	Pressure ΔP PSI	Viscosity (mm ² /s) (cSt)															
		1		15		35		75		150		350		750		1500	
		Capacity GPM	Power HP	Capacity GPM	Power HP	Capacity GPM	Power HP	Capacity GPM	Power HP	Capacity GPM	Power HP	Capacity GPM	Power HP	Capacity GPM	Power HP	Capacity GPM	Power HP
800-30	29.0	151.0	8.4	154.1	10.4	155.9	12.2	157.6	14.8	158.5	17.8	159.8	22.7	160.3	28.4	161.1	32.0
	58.0	142.7	11.3	147.9	13.3	151.0	15.2	153.7	17.7	155.4	20.7	157.2	25.6	158.5	31.2	159.4	35.0
	87.0	135.6	14.2	142.7	16.2	146.6	18.1	150.1	20.5	152.8	23.6	155.4	28.4	157.2	34.2	158.5	37.8
	116.0	129.0	17.2	137.8	19.0	142.7	20.9	147.1	23.5	150.6	26.6	153.7	31.4	155.9	37.1	157.2	40.8
	145.0	122.8	20.1	133.0	22.0	139.1	23.9	144.4	26.3	147.9	29.4	151.9	34.3	154.1	40.0	156.3	43.7
	174.0	116.7	22.9	129.0	24.9	135.6	26.7	141.3	29.2	145.7	32.3	150.1	37.1	153.2	42.9	155.0	46.5
	203.1			124.6	27.8	132.1	29.6	138.7	32.2	144.0	35.3	148.4	40.1	151.9	45.9	154.1	49.5
	232.1			120.6	30.7	129.0	32.6	136.0	35.0	141.8	38.1	147.1	43.0	150.6	48.7	153.2	52.4
	261.1					125.9	35.4	133.8	38.0	140.0	41.0	145.7	45.9	149.3	51.6	152.3	55.2
	290.1					122.8	38.4	131.2	40.9	137.8	44.0	144.0	48.8	148.4	54.6	151.5	58.2
	319.1							129.0	43.7	136.0	46.8	142.7	51.8	147.1	57.4	150.6	61.1
	348.1							126.8	46.7	134.3	49.8	141.3	54.6	146.2	60.3	149.7	64.0
800-40	29.0	203.4	9.8	207.4	11.8	209.6	13.8	211.3	16.5	212.7	19.7	214.0	24.9	214.9	31.0	215.7	34.9
	58.0	193.3	13.7	199.9	15.7	203.4	17.7	206.5	20.4	209.1	23.6	211.3	28.8	212.7	34.9	214.0	38.8
	87.0	184.5	17.6	193.3	19.6	198.1	21.6	202.5	24.3	205.6	27.5	208.7	32.6	210.9	38.8	212.2	42.6
	116.0	176.6	21.5	187.1	23.5	193.3	25.5	198.6	28.2	202.5	31.4	206.5	36.5	209.1	42.6	210.9	46.5
	145.0	169.1	25.3	181.8	27.4	188.9	29.4	195.0	32.0	199.9	35.3	204.3	40.4	207.4	46.5	209.6	50.4
	174.0			176.6	31.2	184.9	33.3	192.0	35.9	197.2	39.2	202.5	44.3	206.1	50.4	208.3	54.3
	203.1			171.3	35.1	180.5	37.1	188.4	39.7	194.6	43.0	200.3	48.1	204.3	54.3	207.4	58.2
	232.1					176.6	41.0	185.4	43.6	192.0	46.9	198.6	52.0	203.0	58.2	206.1	62.1
	261.1							182.3	47.5	189.8	50.8	196.8	55.9	201.6	62.1	204.7	66.0
	290.1							179.6	51.4	187.6	54.7	195.0	59.8	200.3	66.0	203.8	69.9
800-60	29.0	306.0	12.5	311.3	14.8	314.4	17.0	317.0	20.0	318.8	23.7	320.5	29.6	321.8	36.5	322.7	40.9
	58.0	292.8	18.2	301.2	20.7	306.4	22.8	310.4	25.9	313.5	29.5	316.6	35.4	318.8	42.2	320.5	46.7
	87.0	280.9	24.1	292.3	26.4	299.4	28.7	304.7	31.6	309.1	35.4	313.5	41.2	316.1	48.1	318.3	52.4
	116.0			284.4	32.2	292.8	34.5	299.8	37.4	305.1	41.2	310.4	47.1	313.9	53.9	316.6	58.3
	145.0			276.9	38.1	286.6	40.2	295.0	43.3	301.6	46.9	307.3	52.8	311.7	59.7	314.8	64.1
	174.0					280.9	46.1	290.6	49.1	297.6	52.8	304.7	58.6	309.5	65.4	313.0	69.9
	203.1					275.2	51.9	286.2	54.8	294.1	58.6	302.0	64.5	307.3	71.3	311.3	75.8
	232.1							281.8	60.7	291.0	64.4	299.4	70.3	305.6	77.1	310.0	81.5
800-80	29.0	402.9	15.2	411.2	17.8	416.1	20.2	420.5	23.6	423.5	27.8	426.6	34.3	428.4	42.0	430.2	46.9
	58.0	380.4	22.9	394.9	25.6	402.9	28.0	409.9	31.4	415.2	35.5	420.0	42.1	423.5	49.8	426.2	54.7
	87.0			380.4	33.3	391.4	35.8	400.7	39.2	408.1	43.3	414.7	49.9	419.6	57.5	422.7	62.5
	116.0					380.8	43.6	392.3	46.9	401.1	51.1	409.9	57.7	415.6	65.3	419.6	70.1
	145.0							384.4	54.7	394.9	58.9	405.1	65.3	412.1	73.1	416.9	77.9

Blackmer reserves the right to change the data in the table without prior notice.

Speed n=1750 rpm

METRIC

Specification	Pressure ΔP bar	Viscosity (mm ² /s) (cSt)															
		1		15		35		75		150		350		750		1500	
		Capacity m ³ /h	Power kW	Capacity m ³ /h	Power kW	Capacity m ³ /h	Power kW	Capacity m ³ /h	Power kW	Capacity m ³ /h	Power kW	Capacity m ³ /h	Power kW	Capacity m ³ /h	Power kW	Capacity m ³ /h	Power kW
800-30	2	34.3	6.3	35.0	7.7	35.4	9.1	35.8	11.0	36.0	13.3	36.3	16.9	36.4	21.2	36.6	23.9
	4	32.4	8.5	33.6	9.9	34.3	11.3	34.9	13.2	35.3	15.4	35.7	19.1	36.0	23.3	36.2	26.1
	6	30.8	10.6	32.4	12.1	33.3	13.5	34.1	15.3	34.7	17.6	35.3	21.2	35.7	25.5	36.0	28.2
	8	29.3	12.8	31.3	14.2	32.4	15.6	33.4	17.5	34.2	19.8	34.9	23.4	35.4	27.7	35.7	30.4
	10	27.9	15.0	30.2	16.4	31.6	17.8	32.8	19.6	33.6	21.9	34.5	25.6	35.0	29.8	35.5	32.6
	12	26.5	17.1	29.3	18.6	30.8	19.9	32.1	21.8	33.1	24.1	34.1	27.7	34.8	32.0	35.2	34.7
	14			28.3	20.7	30.0	22.1	31.5	24.0	32.7	26.3	33.7	29.9	34.5	34.2	35.0	36.9
	16			27.4	22.9	29.3	24.3	30.9	26.1	32.2	28.4	33.4	32.1	34.2	36.3	34.8	39.1
	18					28.6	26.4	30.4	28.3	31.8	30.6	33.1	34.2	33.9	38.5	34.6	41.2
	20					27.9	28.6	29.8	30.5	31.3	32.8	32.7	36.4	33.7	40.7	34.4	43.4
	22							29.3	32.6	30.9	34.9	32.4	38.6	33.4	42.8	34.2	45.6
24							28.8	34.8	30.5	37.1	32.1	40.7	33.2	45.0	34.0	47.7	
800-40	2	46.2	7.3	47.1	8.8	47.6	10.3	48.0	12.3	48.3	14.7	48.6	18.6	48.8	23.1	49.0	26.0
	4	43.9	10.2	45.4	11.7	46.2	13.2	46.9	15.2	47.5	17.6	48.0	21.5	48.3	26.0	48.6	28.9
	6	41.9	13.1	43.9	14.6	45.0	16.1	46.0	18.1	46.7	20.5	47.4	24.3	47.9	28.9	48.2	31.8
	8	40.1	16.0	42.5	17.5	43.9	19.0	45.1	21.0	46.0	23.4	46.9	27.2	47.5	31.8	47.9	34.7
	10	38.4	18.9	41.3	20.4	42.9	21.9	44.3	23.9	45.4	26.3	46.4	30.1	47.1	34.7	47.6	37.6
	12			40.1	23.3	42.0	24.8	43.6	26.8	44.8	29.2	46.0	33.0	46.8	37.6	47.3	40.5
	14			38.9	26.2	41.0	27.7	42.8	29.6	44.2	32.1	45.5	35.9	46.4	40.5	47.1	43.4
	16					40.1	30.6	42.1	32.5	43.6	35.0	45.1	38.8	46.1	43.4	46.8	46.3
	18							41.4	35.4	43.1	37.9	44.7	41.7	45.8	46.3	46.5	49.2
20							40.8	38.3	42.6	40.8	44.3	44.6	45.5	49.2	46.3	52.1	
800-60	2	69.5	9.3	70.7	11.0	71.4	12.7	72.0	14.9	72.4	17.7	72.8	22.1	73.1	27.2	73.3	30.5
	4	66.5	13.6	68.4	15.4	69.6	17.0	70.5	19.3	71.2	22.0	71.9	26.4	72.4	31.5	72.8	34.8
	6	63.8	18.0	66.4	19.7	68.0	21.4	69.2	23.6	70.2	26.4	71.2	30.7	71.8	35.9	72.3	39.1
	8			64.6	24.0	66.5	25.7	68.1	27.9	69.3	30.7	70.5	35.1	71.3	40.2	71.9	43.5
	10			62.9	28.4	65.1	30.0	67.0	32.3	68.5	35.0	69.8	39.4	70.8	44.5	71.5	47.8
	12					63.8	34.4	66.0	36.6	67.6	39.4	69.2	43.7	70.3	48.8	71.1	52.1
	14					62.5	38.7	65.0	40.9	66.8	43.7	68.6	48.1	69.8	53.2	70.7	56.5
	16							64.0	45.3	66.1	48.0	68.0	52.4	69.4	57.5	70.4	60.8
800-80	2	91.5	11.3	93.4	13.3	94.5	15.1	95.5	17.6	96.2	20.7	96.9	25.6	97.3	31.3	97.7	35.0
	4	86.4	17.1	89.7	19.1	91.5	20.9	93.1	23.4	94.3	26.5	95.4	31.4	96.2	37.1	96.8	40.8
	6			86.4	24.8	88.9	26.7	91.0	29.2	92.7	32.3	94.2	37.2	95.3	42.9	96.0	46.6
	8					86.5	32.5	89.1	35.0	91.1	38.1	93.1	43.0	94.4	48.7	95.3	52.3
	10							87.3	40.8	89.7	43.9	92.0	48.7	93.6	54.5	94.7	58.1

U.S. STANDARD

Speed n=1750 rpm

Specification	Pressure ΔP PSI	Viscosity (mm ² /s) (cSt)															
		1		15		35		75		150		350		750		1500	
		Capacity GPM	Power HP	Capacity GPM	Power HP	Capacity GPM	Power HP	Capacity GPM	Power HP	Capacity GPM	Power HP	Capacity GPM	Power HP	Capacity GPM	Power HP	Capacity GPM	Power HP
1400-38	29.0	286.2	10.9	290.6	12.9	292.8	14.8	295.0	17.3	296.7	20.4	298.1	25.2	299.4	31.0	299.8	34.6
	58.0	274.7	16.4	282.2	18.2	286.2	20.1	289.7	22.7	292.3	25.7	295.0	30.6	296.7	36.3	298.1	40.0
	87.0	264.6	21.7	274.7	23.7	280.0	25.5	284.9	28.0	288.8	31.1	292.3	36.1	294.5	41.7	296.3	45.5
	116.0	255.4	27.1	267.7	29.1	274.7	31.0	280.9	33.4	285.3	36.5	289.7	41.4	292.8	47.2	294.5	50.8
	145.0	247.0	32.6	261.5	34.5	269.5	36.3	276.5	38.9	282.2	42.0	287.1	46.8	290.6	52.6	293.2	56.2
	174.0	238.6	38.0	255.4	39.8	264.6	41.7	273.0	44.3	279.1	47.3	284.9	52.2	288.8	57.9	291.9	61.6
	203.1			249.6	45.2	260.2	47.1	269.0	49.6	276.1	52.7	282.7	57.5	287.1	63.3	290.6	67.1
	232.1					255.8	52.6	265.5	55.0	273.4	58.1	280.5	63.0	285.7	68.7	289.3	72.4
	261.1					251.4	57.9	262.0	60.5	270.8	63.6	278.7	68.4	284.0	74.2	287.9	77.8
	290.1							258.9	65.8	268.1	68.9	276.5	73.8	282.2	79.5	286.6	83.1
	319.1							255.4	71.2	265.5	74.3	274.7	79.1	280.9	84.9	285.3	88.6
348.1									262.8	79.7	272.5	84.6	279.6	90.2	284.4	94.0	
1400-50	29.0	384.8	13.4	390.1	15.6	392.7	17.7	394.9	20.5	396.7	24.0	398.5	29.4	399.8	35.8	400.7	40.0
	58.0	372.0	20.7	380.4	22.8	385.2	24.9	389.2	27.8	392.3	31.1	394.9	36.6	397.1	43.0	398.5	47.2
	87.0	361.0	27.8	372.0	30.0	378.2	32.0	383.9	34.9	387.9	38.4	391.8	43.9	394.5	50.3	396.3	54.3
	116.0	350.5	35.0	364.1	37.1	372.0	39.3	379.1	42.1	383.9	45.6	388.8	51.0	392.3	57.4	394.5	61.6
	145.0	340.8	42.2	357.1	44.4	366.3	46.4	374.2	49.2	380.4	52.7	386.1	58.2	390.1	64.6	393.2	68.8
	174.0			350.5	51.5	361.0	53.6	369.8	56.5	376.9	59.9	383.5	65.4	388.3	71.9	391.4	75.9
	203.1			343.9	58.7	355.7	60.9	365.9	63.7	373.8	67.1	381.3	72.5	386.1	79.0	389.6	83.1
	232.1					350.5	68.0	361.9	70.8	370.7	74.3	378.6	79.8	384.4	86.2	388.3	90.4
	261.1							357.9	78.0	367.6	81.5	376.4	87.0	382.6	93.5	387.0	97.5
	290.1									364.6	88.6	374.2	94.1	380.8	100.6	385.7	104.7
1400-75	29.0	576.3	18.2	584.3	20.8	588.2	23.3	592.2	26.7	594.8	30.8	597.5	37.4	599.2	45.1	600.5	49.9
	58.0	556.5	29.0	569.3	31.6	576.8	34.1	582.9	37.4	587.3	41.6	592.2	48.1	595.3	55.8	597.5	60.7
	87.0	538.9	39.8	556.5	42.4	566.2	44.9	574.6	48.3	581.2	52.4	586.9	58.9	591.3	66.6	594.4	71.5
	116.0			544.6	53.2	556.5	55.7	567.1	59.0	575.0	63.2	582.5	69.7	587.8	77.4	591.3	82.3
	145.0			533.2	64.0	547.7	66.5	560.0	69.9	569.3	74.0	578.5	80.5	584.7	88.2	589.1	93.1
	174.0					539.3	77.2	553.4	80.6	564.0	84.8	574.6	91.3	581.6	99.0	586.5	103.9
	203.1							546.8	91.5	559.2	95.6	570.6	102.1	578.5	109.8	584.3	114.7
	232.1									553.9	106.3	566.6	112.9	575.4	120.6	581.6	126
1400-96	29.0	726.5	22.0	738.3	24.9	745.0	27.8	750.7	31.5	755.1	36.1	759.5	43.4	762.6	52.0	764.3	57.5
	58.0	694.8	35.8	715.0	38.8	726.5	41.4	736.1	45.2	743.6	49.9	750.7	57.1	755.5	65.7	759.0	71.2
	87.0			694.8	52.4	710.2	55.2	723.4	59.0	733.5	63.6	743.2	70.9	749.8	79.5	754.2	85.0
	116.0							711.5	72.8	723.8	77.4	735.7	84.6	744.1	93.2	749.8	98.7
	145.0									715.0	91.2	729.1	98.4	738.8	107.0	745.8	112.5

Speed n=1750 rpm

METRIC

Specification	Pressure ΔP bar	Viscosity (mm ² /s) (cSt)															
		1		15		35		75		150		350		750		1500	
		Capacity m ³ /h	Power kW	Capacity m ³ /h	Power kW	Capacity m ³ /h	Power kW	Capacity m ³ /h	Power kW	Capacity m ³ /h	Power kW	Capacity m ³ /h	Power kW	Capacity m ³ /h	Power kW	Capacity m ³ /h	Power kW
1400-38	2	65.0	8.2	66.0	9.6	66.5	11.0	67.0	12.9	67.4	15.2	67.7	18.8	68.0	23.1	68.1	25.8
	4	62.4	12.2	64.1	13.6	65.0	15.0	65.8	16.9	66.4	19.2	67.0	22.8	67.4	27.1	67.7	29.8
	6	60.1	16.2	62.4	17.7	63.6	19.0	64.7	20.9	65.6	23.2	66.4	26.9	66.9	31.1	67.3	33.9
	8	58.0	20.2	60.8	21.7	62.4	23.1	63.8	24.9	64.8	27.2	65.8	30.9	66.5	35.2	66.9	37.9
	10	56.1	24.3	59.4	25.7	61.2	27.1	62.8	29.0	64.1	31.3	65.2	34.9	66.0	39.2	66.6	41.9
	12	54.2	28.3	58.0	29.7	60.1	31.1	62.0	33.0	63.4	35.3	64.7	38.9	65.6	43.2	66.3	45.9
	14			56.7	33.7	59.1	35.1	61.1	37.0	62.7	39.3	64.2	42.9	65.2	47.2	66.0	50.0
	16					58.1	39.2	60.3	41.0	62.1	43.3	63.7	47.0	64.9	51.2	65.7	54.0
	18					57.1	43.2	59.5	45.1	61.5	47.4	63.3	51.0	64.5	55.3	65.4	58.0
	20							58.8	49.1	60.9	51.4	62.8	55.0	64.1	59.3	65.1	62.0
	22							58.0	53.1	60.3	55.4	62.4	59.0	63.8	63.3	64.8	66.1
24									59.7	59.4	61.9	63.1	63.5	67.3	64.6	70.1	
1400-50	2	87.4	10.0	88.6	11.6	89.2	13.2	89.7	15.3	90.1	17.9	90.5	21.9	90.8	26.7	91.0	29.8
	4	84.5	15.4	86.4	17.0	87.5	18.6	88.4	20.7	89.1	23.2	89.7	27.3	90.2	32.1	90.5	35.2
	6	82.0	20.7	84.5	22.4	85.9	23.9	87.2	26.0	88.1	28.6	89.0	32.7	89.6	37.5	90.0	40.5
	8	79.6	26.1	82.7	27.7	84.5	29.3	86.1	31.4	87.2	34.0	88.3	38.0	89.1	42.8	89.6	45.9
	10	77.4	31.5	81.1	33.1	83.2	34.6	85.0	36.7	86.4	39.3	87.7	43.4	88.6	48.2	89.3	51.3
	12			79.6	38.4	82.0	40.0	84.0	42.1	85.6	44.7	87.1	48.8	88.2	53.6	88.9	56.6
	14			78.1	43.8	80.8	45.4	83.1	47.5	84.9	50.0	86.6	54.1	87.7	58.9	88.5	62.0
	16					79.6	50.7	82.2	52.8	84.2	55.4	86.0	59.5	87.3	64.3	88.2	67.4
	18							81.3	58.2	83.5	60.8	85.5	64.9	86.9	69.7	87.9	72.7
	20									82.8	66.1	85.0	70.2	86.5	75.0	87.6	78.1
1400-75	2	130.9	13.6	132.7	15.5	133.6	17.4	134.5	19.9	135.1	23.0	135.7	27.9	136.1	33.6	136.4	37.2
	4	126.4	21.6	129.3	23.6	131.0	25.4	132.4	27.9	133.4	31.0	134.5	35.9	135.2	41.6	135.7	45.3
	6	122.4	29.7	126.4	31.6	128.6	33.5	130.5	36.0	132.0	39.1	133.3	43.9	134.3	49.7	135.0	53.3
	8			123.7	39.7	126.4	41.5	128.8	44.0	130.6	47.1	132.3	52.0	133.5	57.7	134.3	61.4
	10			121.1	47.7	124.4	49.6	127.2	52.1	129.3	55.2	131.4	60.0	132.8	65.8	133.8	69.4
	12					122.5	57.6	125.7	60.1	128.1	63.2	130.5	68.1	132.1	73.8	133.2	77.5
	14							124.2	68.2	127.0	71.3	129.6	76.1	131.4	81.9	132.7	85.5
	16									125.8	79.3	128.7	84.2	130.7	89.9	132.1	93.6
1400-96	2	165.0	16.4	167.7	18.6	169.2	20.7	170.5	23.5	171.5	26.9	172.5	32.4	173.2	38.8	173.6	42.9
	4	157.8	26.7	162.4	28.9	165.0	30.9	167.2	33.7	168.9	37.2	170.5	42.6	171.6	49.0	172.4	53.1
	6			157.8	39.1	161.3	41.2	164.3	44.0	166.6	47.4	168.8	52.9	170.3	59.3	171.3	63.4
	8							161.6	54.3	164.4	57.7	167.1	63.1	169.0	69.5	170.3	73.6
	10									162.4	68.0	165.6	73.4	167.8	79.8	169.4	83.9

Speed n=1750 rpm**U.S. STANDARD**

Specification	Pressure ΔP PSI	Viscosity (mm ² /s) (cSt)															
		1		15		35		75		150		350		750		1500	
		Capacity GPM	Power HP	Capacity GPM	Power HP	Capacity GPM	Power HP	Capacity GPM	Power HP	Capacity GPM	Power HP	Capacity GPM	Power HP	Capacity GPM	Power HP	Capacity GPM	Power HP
2500-43	29.0	460.5	18.6	467.1	22.3	471.1	25.6	474.2	30.0	476.8	35.7	479.5	44.5	480.8	54.8	482.1	61.6
	58.0	442.5	27.4	453.9	30.8	460.5	34.2	465.8	38.8	470.2	44.4	474.2	53.1	477.3	63.6	479.0	70.1
	87.0	427.1	36.1	442.5	39.6	451.3	42.9	458.8	47.5	464.5	53.0	469.8	61.8	473.7	72.1	476.4	78.9
	116.0	412.5	44.7	431.9	48.1	442.5	51.6	452.2	56.1	459.2	61.7	465.8	70.5	470.7	80.9	473.7	87.4
	145.0	398.9	53.4	421.8	56.9	434.6	60.2	445.6	64.8	453.9	70.4	462.3	79.1	467.6	89.6	471.5	96.1
	174.0	386.1	62.1	412.1	65.6	427.1	68.9	439.8	73.5	449.5	79.0	458.3	87.8	464.9	98.2	469.3	104.9
	203.1	373.8	70.7	403.3	74.2	419.6	77.5	434.1	82.1	444.7	87.7	455.2	96.6	462.3	106.9	467.1	113.4
	232.1			394.5	82.9	412.5	86.2	428.4	90.8	440.3	96.3	451.7	105.1	459.7	115.5	465.4	122.2
	261.1			385.7	91.6	405.9	94.9	423.1	99.5	436.3	105.0	448.6	113.9	457.0	124	463.2	131
	290.1					399.3	103.5	417.8	108.1	431.9	113.7	445.6	122.6	454.8	133	461.4	139
	319.1							412.5	116.8	428.0	122	442.5	131	452.2	141	459.2	148
	348.1							407.7	125	424.0	131	439.4	140	450.0	150	457.5	157
2500-56	29.0	601.9	22.4	610.7	26.3	616.0	30.0	619.9	35.0	623.4	41.2	626.5	50.8	628.7	62.4	630.0	69.6
	58.0	579.0	33.7	593.5	37.5	601.9	41.3	609.3	46.3	614.6	52.4	619.9	62.2	623.4	73.6	626.1	81.0
	87.0	558.3	45.1	578.5	48.9	590.0	52.7	599.7	57.7	607.1	63.8	614.2	73.5	619.0	84.9	622.6	92.3
	116.0	539.8	56.3	564.4	60.2	579.0	64.0	590.9	68.9	600.1	75.1	608.9	84.9	615.1	96.3	619.5	103.7
	145.0	522.2	67.7	551.7	71.6	568.4	75.2	582.9	80.3	593.9	86.5	604.1	96.1	611.1	107.5	616.4	114.9
	174.0			539.3	82.9	558.7	86.6	575.0	91.6	587.8	97.8	599.7	107.5	607.6	118.9	613.8	126
	203.1					549.0	97.9	567.5	103.0	581.6	109.2	594.8	118.8	604.1	130	610.7	138
	232.1							560.0	114.3	575.9	120.4	590.9	130	601.0	142	608.0	149
	261.1									570.2	132	586.5	141	597.5	153	605.4	160
	290.1									564.9	143	582.5	153	594.4	164	603.2	172
2500-85	29.0	904.8	30.0	918.9	34.6	926.8	38.9	933.8	44.8	939.1	52.0	944.0	63.4	947.5	76.8	949.7	85.4
	58.0	867.4	47.1	891.1	51.6	904.8	56.1	916.2	62.0	925.0	69.1	933.4	80.5	939.1	93.9	943.5	102.5
	87.0	834.8	64.2	866.9	68.8	885.4	73.1	901.3	79.0	913.1	86.2	924.1	97.6	932.1	111.0	937.8	119.6
	116.0			844.9	85.8	867.8	90.2	887.2	96.0	902.1	103.3	915.8	114.7	925.5	128	932.5	137
	145.0					851.1	107.3	874.0	113.2	891.6	120.3	908.3	132	919.7	145	927.7	154
	174.0							861.6	130	881.4	137	900.8	149	913.6	162	923.3	171
	203.1									872.2	154	893.3	166	908.3	179	918.9	188
	232.1									862.9	172	886.7	183	903.0	196	914.5	205
2500-112	29.0	1201.1	37.7	1218	42.9	1228	47.9	1236	54.7	1242	63.2	1248	76.3	1252	91.9	1255	102
	58.0	1156.6	60.2	1184.8	65.4	1201.1	70.5	1215.2	77.4	1226	85.7	1236	99.0	1242	114.5	1248	124.4
	87.0			1155.7	88.0	1178.2	93.1	1196.7	99.9	1211.2	108.2	1225	121.5	1234	137	1241	147
	116.0							1180.0	122.4	1198.0	131	1215	144	1226	160	1235	170
	145.0									1185.2	153	1205	167	1219	182	1229	192

Blackmer reserves the right to change the data in the table without prior notice.



Speed n=1750 rpm

METRIC

Specification	Pressure ΔP bar	Viscosity (mm ² /s) (cSt)															
		1		15		35		75		150		350		750		1500	
		Capacity m ³ /h	Power kW	Capacity m ³ /h	Power kW	Capacity m ³ /h	Power kW	Capacity m ³ /h	Power kW	Capacity m ³ /h	Power kW	Capacity m ³ /h	Power kW	Capacity m ³ /h	Power kW	Capacity m ³ /h	Power kW
2500-43	2	104.6	13.9	106.1	16.6	107.0	19.1	107.7	22.4	108.3	26.6	108.9	33.2	109.2	40.9	109.5	45.9
	4	100.5	20.4	103.1	23.0	104.6	25.5	105.8	28.9	106.8	33.1	107.7	39.6	108.4	47.4	108.8	52.3
	6	97.0	26.9	100.5	29.5	102.5	32.0	104.2	35.4	105.5	39.5	106.7	46.1	107.6	53.8	108.2	58.8
	8	93.7	33.3	98.1	35.9	100.5	38.5	102.7	41.8	104.3	46.0	105.8	52.6	106.9	60.3	107.6	65.2
	10	90.6	39.8	95.8	42.4	98.7	44.9	101.2	48.3	103.1	52.5	105.0	59.0	106.2	66.8	107.1	71.7
	12	87.7	46.3	93.6	48.9	97.0	51.4	99.9	54.8	102.1	58.9	104.1	65.5	105.6	73.2	106.6	78.2
	14	84.9	52.7	91.6	55.3	95.3	57.8	98.6	61.2	101.0	65.4	103.4	72.0	105.0	79.7	106.1	84.6
	16			89.6	61.8	93.7	64.3	97.3	67.7	100.0	71.8	102.6	78.4	104.4	86.1	105.7	91.1
	18			87.6	68.3	92.2	70.8	96.1	74.2	99.1	78.3	101.9	84.9	103.8	92.6	105.2	97.6
	20					90.7	77.2	94.9	80.6	98.1	84.8	101.2	91.4	103.3	99.1	104.8	104.0
	22							93.7	87.1	97.2	91.2	100.5	97.8	102.7	105.5	104.3	110.5
24							92.6	93.5	96.3	97.7	99.8	104.3	102.2	112.0	103.9	117.0	
2500-56	2	136.7	16.7	138.7	19.6	139.9	22.4	140.8	26.1	141.6	30.7	142.3	37.9	142.8	46.5	143.1	51.9
	4	131.5	25.1	134.8	28.0	136.7	30.8	138.4	34.5	139.6	39.1	140.8	46.4	141.6	54.9	142.2	60.4
	6	126.8	33.6	131.4	36.5	134.0	39.3	136.2	43.0	137.9	47.6	139.5	54.8	140.6	63.3	141.4	68.8
	8	122.6	42.0	128.2	44.9	131.5	47.7	134.2	51.4	136.3	56.0	138.3	63.3	139.7	71.8	140.7	77.3
	10	118.6	50.5	125.3	53.4	129.1	56.1	132.4	59.9	134.9	64.5	137.2	71.7	138.8	80.2	140.0	85.7
	12			122.5	61.8	126.9	64.6	130.6	68.3	133.5	72.9	136.2	80.2	138.0	88.7	139.4	94.2
	14					124.7	73.0	128.9	76.8	132.1	81.4	135.1	88.6	137.2	97.1	138.7	102.6
	16							127.2	85.2	130.8	89.8	134.2	97.1	136.5	105.6	138.1	111.0
	18									129.5	98.3	133.2	105.5	135.7	114.0	137.5	119.5
	20									128.3	106.7	132.3	114.0	135.0	122.5	137.0	127.9
2500-85	2	205.5	22.4	208.7	25.8	210.5	29.0	212.1	33.4	213.3	38.8	214.4	47.3	215.2	57.3	215.7	63.7
	4	197.0	35.1	202.4	38.5	205.5	41.8	208.1	46.2	210.1	51.5	212.0	60.0	213.3	70.0	214.3	76.4
	6	189.6	47.9	196.9	51.3	201.1	54.5	204.7	58.9	207.4	64.3	209.9	72.8	211.7	82.8	213.0	89.2
	8			191.9	64.0	197.1	67.3	201.5	71.6	204.9	77.0	208.0	85.5	210.2	95.5	211.8	101.9
	10					193.3	80.0	198.5	84.4	202.5	89.7	206.3	98.2	208.9	108.2	210.7	114.6
	12							195.7	97.1	200.2	102.5	204.6	111.0	207.5	121.0	209.7	127.4
	14									198.1	115.2	202.9	123.7	206.3	133.7	208.7	140.1
	16									196.0	128.0	201.4	136.5	205.1	146.5	207.7	152.8
2500-112	2	272.8	28.1	276.6	32.0	278.8	35.7	280.7	40.8	282.2	47.1	283.5	56.9	284.4	68.5	285.1	76.0
	4	262.7	44.9	269.1	48.8	272.8	52.6	276.0	57.7	278.4	63.9	280.7	73.8	282.2	85.4	283.4	92.8
	6			262.5	65.6	267.6	69.4	271.8	74.5	275.1	80.7	278.2	90.6	280.3	102.2	281.8	109.6
	8							268.0	91.3	272.1	97.5	275.9	107.4	278.5	119.0	280.4	126.4
	10									269.2	114.4	273.8	124.2	276.9	135.8	279.1	143.3



2 H SERIES

4200 PERFORMANCE @ 60Hz

U.S. STANDARD

Speed n=1750 rpm

Specification	Pressure ΔP PSI	Viscosity (mm ² /s) (cSt)															
		1		15		35		75		150		350		750		1500	
		Capacity GPM	Power HP	Capacity GPM	Power HP	Capacity GPM	Power HP	Capacity GPM	Power HP	Capacity GPM	Power HP	Capacity GPM	Power HP	Capacity GPM	Power HP	Capacity GPM	Power HP
4200-50	29.0	825.5	36.3	833.9	43.7	838.7	50.8	842.7	60.5	846.2	72.1	848.9	90.7	851.1	112.5	852.4	126.5
	58.0	803.1	51.6	817.2	59.0	825.5	66.1	832.6	75.8	837.9	87.4	842.7	105.9	846.2	128	848.9	142
	87.0	783.7	66.9	803.1	74.3	814.1	81.4	823.3	90.9	830.4	102.7	837.4	121.2	841.8	143	845.3	157
	116.0	765.6	82.2	789.4	89.6	803.1	96.7	815.0	106.2	823.8	118.0	832.1	137	837.9	158	842.3	172
	145.0	748.9	97.5	777.1	104.9	793.4	112.0	807.0	121.5	817.6	133	827.7	152	834.3	174	839.2	188
	174.0	732.6	112.8	765.2	120.2	783.7	127	799.5	137	811.4	149	822.9	167	830.8	189	836.5	203
	203.1	717.2	128	753.8	135	774.5	143	792.5	152	805.7	164	818.9	182	827.7	204	833.9	218
	232.1	702.7	143	742.8	151	765.6	158	785.5	167	800.4	179	814.5	198	824.2	220	831.2	233
	261.1			732.2	166	757.3	173	778.4	183	795.1	194	810.6	213	821.1	235	829.0	249
	290.1					748.9	188	772.3	198	789.9	210	806.6	228	818.0	250	826.4	264
	319.1							765.6	213	784.6	225	802.6	244	815.4	265	824.2	279
	348.1									779.7	240	799.1	259	812.3	281	822.0	295
4200-67	29.0	1098.9	42.5	1109.9	50.2	1116.1	57.7	1121.4	67.6	1125.4	79.9	1129.3	99.4	1132.0	122.3	1133.7	137
	58.0	1070.3	62.8	1088.4	70.5	1098.9	77.9	1107.7	88.0	1114.8	100.3	1121.0	119.8	1125.4	143	1128.9	157
	87.0	1045.2	83.1	1069.9	90.8	1084.0	98.3	1096.3	108.2	1105.5	120.6	1113.9	140	1120.1	163	1124.5	178
	116.0	1022.3	103.4	1052.7	111.2	1070.3	118.5	1085.3	129	1096.7	141	1107.7	160	1115.2	183	1120.5	198
	145.0	1000.3	124	1036.9	131	1057.6	139	1075.2	149	1088.8	161	1101.6	181	1110.4	204	1116.6	218
	174.0	980.1	144	1021.4	152	1045.2	159	1065.5	169	1081.3	182	1095.9	201	1106.0	224	1113.0	238
	203.1			1006.9	172	1033.8	180	1056.2	190	1073.8	202	1090.1	221	1101.6	244	1109.9	259
	232.1					1022.3	200	1047.4	210	1066.8	222	1084.8	242	1097.6	264	1106.4	279
	261.1							1039.1	230	1059.8	242	1080.0	262	1093.7	285	1103.3	299
	290.1									1053.1	263	1074.7	282	1089.7	305	1100.3	320
4200-96	29.0	1569	53.0	1589	61.1	1600	69.1	1610	79.8	1617	92.9	1624	113.6	1629	138	1633	154
	58.0	1517	82.2	1550	90.5	1569	98.4	1585	109.0	1598	122.2	1610	143	1618	167	1623	183
	87.0	1471	111.6	1516	119.8	1542	128	1564	138	1581	152	1597	172	1608	197	1615	212
	116.0	1429	141	1485	149	1517	157	1545	168	1565	181	1585	202	1599	226	1608	242
	145.0			1456	178	1494	186	1526	197	1551	210	1574	231	1590	255	1601	271
	174.0					1471	216	1508	226	1537	240	1563	260	1582	285	1595	300
	203.1									1523	269	1553	290	1574	314	1589	329
	232.1									1510	298	1544	319	1567	343	1583	359
4200-128	29.0	2073	65.0	2105	74.2	2123	82.9	2138	94.5	2150	109.0	2161	132	2169	159	2175	176
	58.0	1989	104.2	2042	113.2	2073	121.9	2099	134	2119	148	2138	171	2151	198	2160	215
	87.0	1915	143	1988	152	2029	161	2064	173	2092	187	2117	210	2135	237	2148	254
	116.0			1938	191	1989	200	2033	212	2067	226	2098	249	2120	276	2136	293
	145.0							2003	251	2043	266	2081	288	2106	315	2125	332

Blackmer reserves the right to change the data in the table without prior notice.



2 H SERIES

7000 PERFORMANCE @ 60Hz

U.S. STANDARD

Speed n=1750 rpm

Specification	Pressure ΔP PSI	Viscosity (mm ² /s) (cSt)															
		1		15		35		75		150		350		750		1500	
		Capacity GPM	Power HP	Capacity GPM	Power HP	Capacity GPM	Power HP	Capacity GPM	Power HP	Capacity GPM	Power HP	Capacity GPM	Power HP	Capacity GPM	Power HP	Capacity GPM	Power HP
7000-40	29.0	1354	52.2	1366	61.8	1373	71.1	1379	83.4	1384	98.7	1388	123.0	1391	151	1393	170
	58.0	1321	76.8	1342	86.5	1354	95.7	1364	108.2	1372	123.5	1379	148	1384	176	1388	194
	87.0	1292	101.6	1320	111.2	1337	120.4	1350	133	1361	148	1371	172	1378	201	1383	219
	116.0	1266	126	1301	136	1321	145	1338	158	1351	173	1364	197	1372	225	1379	244
	145.0	1241	151	1283	161	1306	170	1327	182	1342	198	1357	222	1367	250	1374	268
	174.0	1217	176	1265	185	1292	195	1316	207	1333	222	1350	246	1362	275	1370	293
	203.1	1194	200	1248	210	1279	219	1305	232	1325	247	1344	271	1357	300	1366	318
	232.1	1173	225	1232	235	1266	244	1295	256	1317	272	1338	296	1352	324	1362	342
	261.1			1216	259	1253	269	1285	281	1309	296	1332	321	1348	349	1359	367
	290.1					1241	293	1275	306	1301	321	1326	345	1343	374	1355	392
	319.1									1294	346	1320	370	1339	398	1352	417
348.1									1286	371	1315	395	1334	423	1348	441	
7000-50	29.0	1691	65.6	1707	77.8	1716	89.4	1723	105.1	1729	124.4	1735	155	1739	191	1742	214
	58.0	1649	96.6	1675	108.6	1691	120.3	1704	136	1714	155	1723	186	1730	222	1734	245
	87.0	1612	127	1648	140	1669	151	1687	167	1700	186	1713	217	1722	253	1728	276
	116.0	1578	158	1623	170	1649	182	1671	198	1688	217	1703	248	1714	284	1722	307
	145.0	1546	189	1600	201	1630	213	1656	229	1676	248	1695	279	1707	314	1717	338
	174.0	1516	220	1577	232	1612	244	1642	260	1665	279	1686	310	1701	345	1711	368
	203.1	1487	251	1556	263	1595	275	1628	290	1654	310	1678	340	1695	376	1707	399
	232.1	1459	282	1535	294	1578	306	1615	321	1644	341	1670	371	1688	407	1702	430
	261.1			1515	325	1562	337	1603	352	1633	372	1662	402	1683	438	1697	461
	290.1					1547	367	1590	383	1624	402	1655	433	1677	469	1692	492
	319.1									1614	433	1648	464	1671	500	1688	523
348.1									1605	464	1641	495	1666	531	1684	554	
7000-67	29.0	2279	80.3	2297	93.9	2307	107.0	2316	124.6	2322	146	2329	180	2333	221	2336	246
	58.0	2231	121.6	2262	135	2279	148	2293	166	2305	188	2315	222	2323	262	2328	288
	87.0	2190	163	2231	177	2254	190	2274	207	2289	229	2304	263	2314	303	2321	329
	116.0	2152	205	2203	218	2232	231	2256	249	2275	270	2293	305	2305	345	2314	371
	145.0	2116	246	2176	259	2211	272	2240	290	2262	312	2283	346	2298	386	2308	412
	174.0	2083	287	2151	301	2190	314	2224	331	2249	353	2274	387	2290	428	2302	453
	203.1	2050	329	2127	342	2171	355	2208	373	2238	395	2265	429	2283	469	2297	495
	232.1			2104	384	2153	397	2194	414	2226	436	2256	470	2277	510	2291	536
	261.1					2134	438	2180	456	2214	477	2247	511	2270	552	2286	577
	290.1									2204	519	2239	553	2263	593		
	319.1									2193	560	2231	594				

Blackmer reserves the right to change the data in the table without prior notice.

7000 PERFORMANCE @ 60Hz (CON'T)

U.S. STANDARD

Speed n=1750 rpm

Specification	Pressure ΔP PSI	Viscosity (mm ² /s) (cSt)															
		1		15		35		75		150		350		750		1500	
		Capacity GPM	Power HP	Capacity GPM	Power HP	Capacity GPM	Power HP	Capacity GPM	Power HP	Capacity GPM	Power HP	Capacity GPM	Power HP	Capacity GPM	Power HP	Capacity GPM	Power HP
7000-96	29.0	3331	106.9	3357	123.0	3372	139	3385	160	3395	185	3404	226	3410	274	3415	305
	58.0	3261	167	3305	183	3331	199	3352	220	3369	246	3384	287	3395	334	3403	365
	87.0	3200	228	3260	244	3295	260	3324	281	3346	306	3367	347	3382	395	3392	426
	116.0	3144	288	3218	305	3261	320	3298	341	3325	367	3352	408	3370	455	3383	486
	145.0	3092	349	3180	365	3230	381	3273	402	3306	427	3337	468	3358	516	3374	547
	174.0			3143	425	3200	441	3250	462	3288	488	3323	528	3347	576		
	203.1					3172	502	3227	523	3270	548	3310	589				
7000-128	29.0	4450	138	4483	158	4502	177	4518	203	4530	234	4542	285	4550	343	4556	381
	58.0	4364	218	4419	238	4450	257	4477	283	4498	315	4517	365	4531	424	4541	462
	87.0	4287	299	4363	319	4405	338	4442	364	4470	396	4496	446	4514	505	4527	543
	116.0			4311	400	4364	419	4409	445	4444	476	4477	526	4499	585		
	145.0					4325	500	4379	525	4420	557						
7000-144	29.0	4978	152	5022	173	5047	193	5069	221	5086	255	5101	308	5112	371	5120	411
	58.0	4861	242	4936	264	4978	284	5014	312	5042	345	5069	399	5087	462	5099	502
	87.0	4759	333	4860	354	4917	375	4966	402	5004	436	5040	490	5065	553	5082	593
	116.0							4922	493	4969	527	5013	580				

Speed n=1750 rpm

METRIC

Specification	Pressure ΔP bar	Viscosity (mm²/s) (cSt)															
		1		15		35		75		150		350		750		1500	
		Capacity m³/h	Power kW	Capacity m³/h	Power kW	Capacity m³/h	Power kW	Capacity m³/h	Power kW	Capacity m³/h	Power kW	Capacity m³/h	Power kW	Capacity m³/h	Power kW	Capacity m³/h	Power kW
7000-40	2	307.5	38.9	310.3	46.1	311.9	53.0	313.3	62.2	314.3	73.6	315.3	91.7	316.0	112.8	316.5	126.4
	4	300.0	57.3	304.8	64.5	307.5	71.4	309.8	80.7	311.6	92.1	313.2	110.1	314.4	131.3	315.2	144.8
	6	293.5	75.8	299.9	82.9	303.6	89.8	306.7	99.1	309.1	110.5	311.4	128.5	313.0	149.7	314.1	163.3
	8	287.5	94.2	295.5	101.4	300.0	108.2	303.9	117.5	306.9	128.9	309.7	146.9	311.7	168.1	313.1	181.7
	10	281.8	112.6	291.3	119.8	296.7	126.7	301.3	135.9	304.8	147.3	308.2	165.4	310.5	186.5	312.1	200.1
	12	276.5	131.1	287.3	138.2	293.5	145.1	298.8	154.4	302.8	165.8	306.7	183.8	309.3	205.0	311.2	218.5
	14	271.3	149.5	283.5	156.6	290.5	163.5	296.4	172.8	300.9	184.2	305.2	202.2	308.2	223.4	310.3	237.0
	16	266.4	167.9	279.8	175.1	287.5	182.0	294.1	191.2	299.1	202.6	303.8	220.6	307.1	241.8	309.4	255.4
	18			276.3	193.5	284.7	200.4	291.8	209.7	297.3	221.0	302.5	239.1	306.1	260.2	308.6	273.8
	20					281.9	218.8	289.6	228.1	295.6	239.5	301.2	257.5	305.0	278.7	307.8	292.2
	22									293.9	257.9	299.9	275.9	304.1	297.1	307.0	310.7
	24									292.2	276.3	298.7	294.3	303.1	315.5	306.2	329.1
7000-50	2	384.0	48.9	387.6	58.0	389.7	66.7	391.4	78.4	392.8	92.8	394.1	115.6	394.9	142.4	395.6	159.5
	4	374.5	72.0	380.5	81.0	384.0	89.7	387.0	101.5	389.3	115.9	391.4	138.6	392.9	165.4	393.9	182.6
	6	366.1	95.0	374.3	104.1	379.1	112.8	383.1	124.5	386.1	138.9	389.1	161.7	391.1	188.4	392.5	205.6
	8	358.4	118.0	368.6	127.1	374.5	135.8	379.5	147.5	383.3	161.9	386.9	184.7	389.4	211.5	391.2	228.6
	10	351.2	141.1	363.3	150.1	370.2	158.8	376.1	170.6	380.6	185.0	384.9	207.7	387.8	234.5	389.9	251.7
	12	344.3	164.1	358.2	173.1	366.2	181.9	372.9	193.6	378.1	208.0	383.0	230.8	386.3	257.5	388.7	274.7
	14	337.8	187.1	353.3	196.2	362.3	204.9	369.8	216.6	375.6	231.0	381.1	253.8	384.9	280.6	387.6	297.7
	16	331.4	210.2	348.6	219.2	358.5	227.9	366.9	239.7	373.3	254.1	379.4	276.8	383.5	303.6	386.5	320.8
	18			344.1	242.2	354.8	251.0	364.0	262.7	371.0	277.1	377.6	299.9	382.2	326.6	385.5	343.8
	20					351.3	274.0	361.2	285.7	368.8	300.1	376.0	322.9	380.9	349.7	384.4	366.8
	22									366.6	323.1	374.3	345.9	379.6	372.7	383.4	389.9
	24									364.5	346.2	372.7	369.0	378.4	395.7	382.4	412.9
7000-67	2	517.6	59.9	521.6	70.0	524.0	79.8	526.0	92.9	527.5	109.0	528.9	134.5	529.9	164.5	530.6	183.7
	4	506.8	90.7	513.7	100.9	517.6	110.6	520.9	123.7	523.5	139.9	525.9	165.4	527.6	195.3	528.8	214.5
	6	497.4	121.6	506.7	131.7	512.0	141.5	516.5	154.6	520.0	170.7	523.3	196.2	525.5	226.2	527.1	245.4
	8	488.8	152.5	500.3	162.6	506.9	172.3	512.5	185.5	516.8	201.6	520.9	227.1	523.6	257.1	525.6	276.3
	10	480.7	183.3	494.3	193.4	502.1	203.2	508.7	216.3	513.8	232.4	518.6	257.9	521.9	287.9	524.2	307.1
	12	473.0	214.2	488.6	224.3	497.5	234.1	505.1	247.2	510.9	263.3	516.4	288.8	520.2	318.8	522.9	338.0
	14	465.6	245.0	483.1	255.2	493.1	264.9	501.6	278.1	508.2	294.2	514.4	319.7	518.6	349.6	521.6	368.8
	16			477.8	286.0	488.9	295.8	498.3	308.9	505.5	325.0	512.4	350.5	517.1	380.5	520.4	399.7
	18					484.8	326.7	495.1	339.8	502.9	355.9	510.4	381.4	515.6	411.4	519.2	430.6
	20									500.5	386.8	508.5	412.3	514.1	442.2		
	22									498.0	417.6	506.7	443.1				

Blackmer reserves the right to change the data in the table without prior notice.

7000 PERFORMANCE @ 60Hz (CON'T)

Speed n=1750 rpm

METRIC

Specification	Pressure ΔP bar	Viscosity (mm ² /s) (cSt)															
		1		15		35		75		150		350		750		1500	
		Capacity m ³ /h	Power kW	Capacity m ³ /h	Power kW	Capacity m ³ /h	Power kW	Capacity m ³ /h	Power kW	Capacity m ³ /h	Power kW	Capacity m ³ /h	Power kW	Capacity m ³ /h	Power kW	Capacity m ³ /h	Power kW
7000-96	2	756.5	79.7	762.5	91.7	765.9	103.4	768.8	119.0	771.0	138.2	773.1	168.6	774.6	204.3	775.6	227.1
	4	740.7	124.8	750.7	136.8	756.5	148.5	761.4	164.1	765.2	183.3	768.7	213.7	771.2	249.4	772.9	272.2
	6	726.8	169.9	740.5	182.0	748.3	193.6	754.9	209.2	760.0	228.4	764.8	258.8	768.2	294.5	770.5	317.4
	8	714.1	215.0	731.0	227.1	740.7	238.7	749.0	254.3	755.3	273.5	761.3	303.9	765.4	339.6	768.3	362.5
	10	702.2	260.1	722.2	272.2	733.7	283.8	743.4	299.5	750.9	318.7	757.9	349.0	762.8	384.7	766.3	407.6
	12			713.8	317.3	726.9	328.9	738.1	344.6	746.7	363.8	754.8	394.1	760.3	429.8		
	14					720.5	374.1	733.0	389.7	742.6	408.9	751.7	439.3				
7000-128	2	1010.8	102.7	1018.2	117.6	1022.5	131.9	1026.1	151.1	1028.9	174.8	1031.6	212.2	1033.4	256.1	1034.7	284.3
	4	991.1	162.9	1003.7	177.7	1010.8	192.0	1016.9	211.3	1021.6	234.9	1026.0	272.3	1029.1	316.3	1031.3	344.4
	6	973.8	223.0	990.9	237.9	1000.6	252.2	1008.9	271.4	1015.2	295.1	1021.2	332.5	1025.3	376.4	1028.3	404.6
	8			979.1	298.0	991.2	312.4	1001.5	331.6	1009.3	355.3	1016.8	392.6	1021.9	436.6		
	10					982.4	372.5	994.5	391.8	1003.8	415.4						
7000-144	2	1130.6	113.1	1140.7	128.9	1146.4	144.2	1151.3	164.7	1155.1	189.9	1158.6	229.8	1161.1	276.7	1162.8	306.7
	4	1104.1	180.7	1121.0	196.6	1130.7	211.8	1138.9	232.4	1145.2	257.6	1151.2	297.5	1155.3	344.4	1158.2	374.4
	6	1080.8	248.4	1103.8	264.3	1116.9	279.5	1128.0	300.1	1136.6	325.3	1144.7	365.2	1150.3	412.1	1154.2	442.1
	8							1118.0	367.7	1128.6	393.0	1138.7	432.8				



Speed n=1750 rpm

METRIC

Specification	Pressure ΔP bar	Viscosity (mm ² /s) (cSt)																
		1		15		35		75		150		350		750		1500		
		Capacity m ³ /h	Power kW	Capacity m ³ /h	Power kW	Capacity m ³ /h	Power kW	Capacity m ³ /h	Power kW	Capacity m ³ /h	Power kW	Capacity m ³ /h	Power kW	Capacity m ³ /h	Power kW	Capacity m ³ /h	Power kW	
9800-60	2	485.5	56.1	491.0	65.6	494.2	74.7	496.9	86.9	499.0	102.0	500.9	125.8	502.3	153.7	503.2	171.6	
	4	470.9	85.1	480.2	94.6	485.5	103.7	490.1	115.9	493.5	131.0	496.8	154.8	499.1	182.8	500.7	200.7	
	6	458.1	114.2	470.7	123.6	477.9	132.7	484.1	145.0	488.8	160.0	493.2	183.8	496.3	211.8	498.5	229.7	
	8	446.3	143.2	462.0	152.7	471.0	161.8	478.6	174.0	484.4	189.1	489.9	212.9	493.8	240.8	496.5	258.7	
	10	435.3	172.2	453.8	181.7	464.4	190.8	473.4	203.0	480.3	218.1	486.9	241.9	491.4	269.9	494.6	287.8	
	12	424.8	201.3	446.0	210.7	458.2	219.8	468.5	232.1	476.4	247.1	483.9	270.9	489.1	298.9	492.8	316.8	
	14	414.7	230.3	438.6	239.8	452.2	248.9	463.8	261.1	472.7	276.2	481.1	300.0	486.9	327.9	491.0	345.8	
	16	405.0	259.3	431.4	268.8	446.4	277.9	459.2	290.1	469.1	305.2	478.4	329.0	484.8	357.0	489.3	374.9	
	18			424.4	297.8	440.9	306.9	454.8	319.2	465.6	334.2	475.7	358.0	482.7	386.0	487.7	403.9	
	20					435.4	336.0	450.6	348.2	462.2	363.2	473.2	387.0	480.8	415.0	486.1	432.9	
	22										458.9	392.3	470.7	416.1	478.8	444.1	484.6	462.0
	24										455.6	421.3	468.2	445.1	476.9	473.1	483.1	491.0
9800-80	2	650.3	69.0	656.9	79.6	660.7	89.8	663.9	103.5	666.3	120.3	668.7	146.9	670.3	178.3	671.4	198.3	
	4	632.8	107.7	643.9	118.3	650.3	128.5	655.7	142.2	659.9	159.0	663.8	185.7	666.5	217.0	668.4	237.0	
	6	617.5	146.4	632.6	157.0	641.2	167.2	648.6	180.9	654.2	197.7	659.5	224.4	663.2	255.7	665.8	275.7	
	8	603.5	185.1	622.2	195.7	632.9	205.9	642.0	219.6	649.0	236.4	655.6	263.1	660.1	294.4	663.4	314.4	
	10	590.3	223.8	612.4	234.4	625.1	244.6	635.8	258.3	644.1	275.1	651.9	301.8	657.3	333.1	661.1	353.1	
	12			603.1	273.1	617.7	283.3	630.0	297.0	639.4	313.9	648.4	340.5	654.5	371.8	658.9	391.8	
	14			594.2	311.8	610.5	322.0	624.3	335.7	635.0	352.6	645.0	379.2	651.9	410.5	656.9	430.5	
	16					603.6	360.7	618.9	374.4	630.7	391.3	641.8	417.9	649.4	449.2	654.9	469.3	
	18										626.5	430.0	638.6	456.6	647.0	487.9	652.9	508.0
	20										622.4	468.7	635.6	495.3	644.6	526.6	651.1	546.7
	22										618.5	507.4	632.6	534.0	642.3	565.3	649.2	585.4
	24										614.6	546.1	629.7	572.7	640.0	604.0	647.4	624.1
9800-120	2	971.8	98.0	982.7	112.0	988.9	125.4	994.2	143.5	998.2	165.7	1002.1	200.8	1004.7	242.1	1006.6	268.6	
	4	943.2	156.1	961.5	170.0	971.9	183.5	980.8	201.6	987.6	223.8	994.1	258.9	998.5	300.2	1001.7	326.7	
	6	918.1	214.2	942.9	228.1	957.0	241.6	969.1	259.6	978.3	281.8	987.0	317.0	993.0	358.3	997.3	384.7	
	8	895.1	272.2	925.8	286.2	943.4	299.6	958.3	317.7	969.7	339.9	980.6	375.0	988.0	416.3	993.4	442.8	
	10			909.8	344.2	930.5	357.7	948.2	375.8	961.7	398.0	974.5	433.1	983.3	474.4	989.6	500.9	
	12					918.3	415.8	938.5	433.8	954.1	456.0	968.8	491.2	978.9	532.5	986.1	558.9	
	14										946.8	514.1	963.3	549.2	974.6	590.5	982.7	617.0
	16										939.7	572.2	957.9	607.3	970.5	648.6	979.4	675.0
9800-144	2	1227.9	122.0	1240.1	139.1	1247.1	155.6	1253.0	177.8	1257.6	205.0	1261.9	248.1	1264.9	298.7	1267.0	331.1	
	4	1195.7	195.1	1216.2	212.1	1228.0	228.6	1238.0	250.8	1245.6	278.0	1252.9	321.1	1257.9	371.7	1261.4	404.1	
	6	1167.5	268.1	1195.3	285.2	1211.2	301.7	1224.8	323.8	1235.2	351.1	1245.0	394.1	1251.7	444.7	1256.6	477.2	
	8			1176.1	358.2	1195.9	374.7	1212.6	396.9	1225.5	424.1	1237.7	467.1	1246.1	517.8	1252.1	550.2	
	10					1181.4	447.7	1201.3	469.9	1216.5	497.1	1230.9	540.2	1240.8	590.8	1247.9	623.2	
	12							1190.4	542.9	1207.9	570.1	1224.4	613.2	1235.8	663.8	1243.9	696.2	
9800-170	2	1456.0	139.7	1468.8	158.4	1476.1	176.4	1482.3	200.6	1487.0	230.3	1491.6	277.4	1494.7	332.6	1496.9	368.1	
	4	1422.3	225.9	1443.8	244.6	1456.1	262.6	1466.5	286.8	1474.5	316.6	1482.1	363.6	1487.3	418.9	1491.1	454.3	
	6	1392.8	312.2	1421.9	330.8	1438.6	348.8	1452.7	373.0	1463.6	402.8	1473.9	449.8	1480.9	505.1	1486.0	540.5	
	8			1401.8	417.1	1422.5	435.1	1440.0	459.3	1453.5	489.0	1466.3	536.0	1475.0	591.3	1481.3	626.7	
	10							1428.1	545.5	1444.1	575.2	1459.1	622.2	1469.5	677.5	1476.9	712.9	

Blackmer reserves the right to change the data in the table without prior notice.



2 H SERIES

18000 PERFORMANCE @ 60Hz

U.S. STANDARD

Speed n=1750 rpm

Specification	Pressure ΔP PSI	Viscosity (mm ² /s) (cSt)															
		1		15		35		75		150		350		750		1500	
		Capacity GPM	Power HP	Capacity GPM	Power HP	Capacity GPM	Power HP	Capacity GPM	Power HP	Capacity GPM	Power HP	Capacity GPM	Power HP	Capacity GPM	Power HP	Capacity GPM	Power HP
18000-67	29.0	3219	154	3239	188	3250	220	3260	264	3267	317	3274	402	3279	502	3282	566
	58.0	3167	211	3200	245	3219	278	3236	321	3248	375	3260	460	3268	559	3273	623
	87.0	3122	269	3166	303	3192	335	3214	379	3231	432	3247	517	3258	617	3266	681
	116.0	3079	326	3135	360	3167	393	3195	436	3215	490	3235	575	3249	674	3259	738
	145.0	3040	384	3106	418	3144	450	3176	494	3201	547	3224	632	3240	732	3251	796
	174.0	3003	441	3078	475	3122	508	3159	551	3187	605	3214	690	3232	789	3245	853
	203.1	2967	499	3052	533	3100	565	3142	609	3174	662	3203	747	3224	847	3239	911
	232.1	2932	556	3026	590	3080	622	3126	666	3161	720	3194	805	3217	904	3233	968
	261.1					3060	680	3110	724	3148	777	3185	862	3210	962	3227	1026
	290.1							3095	781	3136	835	3175	920	3202	1019	3222	1083
	319.1									3124	892	3166	977	3196	1077	3216	1141
	348.1									3113	950	3158	1035	3189	1134	3211	1198
18000-90	29.0	4367	193	4388	233	4401	271	4411	323	4419	387	4427	488	4432	607	4435	683
	58.0	4310	270	4346	310	4367	349	4384	401	4398	465	4411	566	4420	685	4426	761
	87.0	4261	348	4309	388	4338	427	4361	479	4379	543	4397	644	4409	762	4417	839
	116.0	4215	425	4276	466	4310	504	4340	556	4363	620	4384	721	4399	840	4409	916
	145.0	4172	503	4244	543	4285	582	4320	634	4347	698	4372	799	4390	918	4402	994
	174.0	4132	581	4214	621	4261	660	4301	712	4331	775	4361	876	4381	995	4395	1071
	203.1			4185	698	4238	737	4283	789	4317	853	4350	954	4372	1073	4388	1149
	232.1			4157	776	4216	815	4265	867	4303	931	4339	1032	4364	1151	4382	1227
	261.1							4248	944	4290	1008	4329	1109	4356	1228	4376	1304
	290.1							4232	1022	4276	1086	4319	1187	4348	1306	4369	1382
	319.1									4264	1164	4309	1265	4341	1383	4363	1459
	348.1									4251	1241	4300	1342	4334	1461	4357	1537
18000-135	29.0	6530	254	6568	303	6589	349	6607	411	6621	488	6634	609	6643	752	6650	843
	58.0	6431	371	6495	419	6530	465	6561	528	6584	605	6607	726	6622	868	6633	960
	87.0	6345	487	6430	535	6479	582	6521	644	6552	721	6583	842	6603	985	6618	1076
	116.0	6265	604	6371	652	6432	698	6483	761	6523	837	6560	959	6586	1101	6604	1193
	145.0	6191	720	6316	768	6388	815	6448	877	6495	954	6539	1075	6570	1218	6591	1309
	174.0			6263	885	6346	931	6415	994	6469	1070	6520	1191	6554	1334	6579	1425
	203.1							6384	1110	6443	1187	6500	1308	6539	1451	6568	1542
	232.1									6419	1303	6482	1424	6525	1567		
18000-150	29.0	7479	275	7535	325	7567	372	7594	436	7615	514	7635	638	7649	784	7658	877
	58.0	7332	410	7426	459	7479	506	7525	570	7560	649	7594	772	7616	918	7633	1012
	87.0	7203	544	7330	593	7403	640	7465	704	7512	783	7557	907	7588	1053	7611	1146
	116.0	7084	678	7242	727	7332	775	7409	839	7468	917	7524	1041	7563	1187	7590	1280
	145.0					7266	909	7357	973	7427	1051	7493	1175	7538	1321	7571	1414
	174.0									7388	1185	7463	1309	7516	1455	7553	1549
18000-170	29.0	8493	310	8551	365	8584	419	8612	490	8633	578	8654	717	8668	881	8677	985
	58.0	8342	462	8438	517	8494	571	8541	642	8577	730	8611	869	8635	1033	8652	1137
	87.0	8209	614	8340	670	8415	723	8478	794	8528	882	8574	1021	8606	1185	8629	1289
	116.0							8422	946	8482	1034	8540	1173	8579	1337	8607	1441
	145.0									8440	1186	8508	1325	8554	1489	8588	1594
18000-192	29.0	9621	333	9680	389	9714	443	9743	516	9765	606	9786	747	9800	914	9810	1021
	58.0	9466	505	9565	561	9622	615	9670	688	9707	778	9742	919	9766	1086	9783	1192
	87.0	9330	677	9464	733	9541	787	9606	860	9657	949	9704	1091	9736	1258	9760	1364
	116.0							9548	1032	9610	1121	9669	1263	9709	1429	9738	1536
	145.0									9566	1293	9636	1435	9684	1601		

Blackmer reserves the right to change the data in the table without prior notice.

Speed n=1750 rpm

METRIC

Specification	Pressure ΔP bar	Viscosity (mm ² /s) (cSt)																
		1		15		35		75		150		350		750		1500		
		Capacity m ³ /h	Power kW	Capacity m ³ /h	Power kW	Capacity m ³ /h	Power kW	Capacity m ³ /h	Power kW	Capacity m ³ /h	Power kW	Capacity m ³ /h	Power kW	Capacity m ³ /h	Power kW	Capacity m ³ /h	Power kW	
18000-67	2	731.2	114.8	735.7	139.9	738.2	164.1	740.4	196.7	742.1	236.6	743.7	299.9	744.8	374.2	745.5	421.8	
	4	719.3	157.7	726.9	182.8	731.2	207.0	734.9	239.5	737.7	279.5	740.4	342.8	742.2	417.1	743.5	464.7	
	6	709.0	200.6	719.2	225.7	725.1	249.9	730.0	282.4	733.8	322.4	737.5	385.6	739.9	460.0	741.7	507.6	
	8	699.4	243.4	712.1	268.5	719.4	292.7	725.6	325.3	730.3	365.3	734.8	428.5	737.9	502.8	740.1	550.4	
	10	690.5	286.3	705.5	311.4	714.1	335.6	721.4	368.2	727.0	408.1	732.3	471.4	735.9	545.7	738.5	593.3	
	12	682.0	329.2	699.2	354.3	709.1	378.5	717.4	411.0	723.8	451.0	729.9	514.2	734.1	588.6	737.1	636.2	
	14	673.8	372.0	693.2	397.1	704.2	421.3	713.6	453.9	720.8	493.9	727.6	557.1	732.3	631.4	735.7	679.0	
	16	666.0	414.9	687.3	440.0	699.5	464.2	709.9	496.8	717.9	536.7	725.4	600.0	730.6	674.3	734.3	721.9	
	18					695.0	507.1	706.3	539.6	715.1	579.6	723.3	642.9	729.0	717.2	733.0	764.8	
	20							702.9	582.5	712.3	622.5	721.2	685.7	727.3	760.1	731.7	807.7	
	22									709.6	665.4	719.2	728.6	725.8	802.9	730.5	850.5	
	24									707.0	708.2	717.2	771.5	724.2	845.8	729.3	893.4	
18000-90	2	991.8	143.6	996.7	173.5	999.5	202.4	1001.8	241.2	1003.7	288.8	1005.4	364.2	1006.6	452.8	1007.4	509.5	
	4	979.0	201.5	987.2	231.4	991.9	260.3	995.8	299.1	998.9	346.7	1001.8	422.1	1003.8	510.6	1005.2	567.4	
	6	967.7	259.4	978.8	289.3	985.2	318.1	990.6	356.9	994.7	404.6	998.6	479.9	1001.3	568.5	1003.3	625.3	
	8	957.4	317.3	971.1	347.2	979.0	376.0	985.7	414.8	990.9	462.5	995.7	537.8	999.1	626.4	1001.5	683.1	
	10	947.6	375.2	963.9	405.1	973.3	433.9	981.2	472.7	987.3	520.3	993.0	595.7	997.0	684.3	999.8	741.0	
	12	938.4	433.0	957.1	463.0	967.8	491.8	976.9	530.6	983.8	578.2	990.4	653.6	995.0	742.2	998.2	798.9	
	14			950.5	520.8	962.5	549.7	972.7	588.5	980.5	636.1	988.0	711.5	993.0	800.1	996.7	856.8	
	16			944.2	578.7	957.5	607.6	968.7	646.4	977.4	694.0	985.6	769.4	991.2	858.0	995.2	914.7	
	18							964.9	704.2	974.3	751.9	983.2	827.2	989.4	915.8	993.8	972.6	
	20							961.1	762.1	971.3	809.8	981.0	885.1	987.6	973.7	992.4	1030.5	
	22										968.4	867.7	978.8	943.0	985.9	1031.6	991.0	1088.3
	24										965.5	925.5	976.6	1000.9	984.3	1089.5	989.7	1146.2
18000-135	2	1483.2	189.7	1491.7	225.6	1496.5	260.2	1500.7	306.8	1503.8	363.9	1506.8	454.4	1508.9	560.7	1510.4	628.8	
	4	1460.7	276.5	1475.1	312.4	1483.2	347.1	1490.2	393.6	1495.5	450.8	1500.6	541.2	1504.0	647.5	1506.5	715.6	
	6	1441.1	363.4	1460.5	399.3	1471.6	433.9	1481.0	480.4	1488.2	537.6	1495.1	628.0	1499.8	734.3	1503.1	802.4	
	8	1423.0	450.2	1447.1	486.1	1460.9	520.7	1472.5	567.3	1481.5	624.4	1490.0	714.9	1495.9	821.2	1500.0	889.3	
	10	1406.1	537.0	1434.5	572.9	1450.8	607.5	1464.6	654.1	1475.2	711.3	1485.3	801.7	1492.2	908.0	1497.1	976.1	
	12			1422.6	659.8	1441.3	694.4	1457.1	740.9	1469.2	798.1	1480.8	888.5	1488.7	994.8	1494.3	1062.9	
	14							1449.9	827.8	1463.5	884.9	1476.4	975.4	1485.3	1081.7	1491.7	1149.7	
	16									1458.0	971.7	1472.3	1062.2	1482.1	1168.5			
18000-150	2	1698.7	205.3	1711.4	242.0	1718.7	277.4	1724.9	325.0	1729.6	383.5	1734.1	475.9	1737.2	584.6	1739.4	654.3	
	4	1665.3	305.4	1686.6	342.1	1698.8	377.5	1709.2	425.1	1717.2	483.6	1724.7	576.0	1729.9	684.8	1733.6	754.4	
	6	1635.9	405.5	1664.9	442.2	1681.4	477.6	1695.5	525.2	1706.3	583.7	1716.5	676.2	1723.5	784.9	1728.6	854.5	
	8	1609.0	505.6	1644.9	542.3	1665.4	577.7	1682.9	625.3	1696.3	683.8	1709.0	776.3	1717.7	885.0	1723.9	954.6	
	10					1650.4	677.8	1671.0	725.4	1686.9	783.9	1701.9	876.4	1712.2	985.1	1719.5	1054.7	
	12									1678.0	884.0	1695.1	976.5	1707.0	1085.2	1715.4	1154.8	
18000-170	2	1929.1	231.3	1942.2	272.5	1949.6	312.2	1956.0	365.6	1960.9	431.1	1965.5	534.8	1968.7	656.7	1970.9	734.8	
	4	1894.6	344.7	1916.6	385.9	1929.2	425.6	1939.9	479.0	1948.1	544.5	1955.8	648.2	1961.2	770.1	1965.0	848.2	
	6	1864.4	458.1	1894.2	499.3	1911.3	539.0	1925.7	592.3	1936.9	657.9	1947.4	761.6	1954.6	883.5	1959.8	961.5	
	8							1912.8	705.7	1926.6	771.3	1939.6	875.0	1948.6	996.9	1955.0	1074.9	
	10									1916.9	884.6	1932.3	988.3	1942.9	1110.2	1950.5	1188.3	
18000-192	2	2185.3	248.3	2198.7	290.2	2206.4	330.6	2212.9	385.0	2217.9	451.8	2222.6	557.4	2225.8	681.6	2228.2	761.1	
	4	2150.0	376.4	2172.5	418.3	2185.4	458.8	2196.3	513.1	2204.7	579.9	2212.7	685.5	2218.2	809.7	2222.1	889.2	
	6	2119.1	504.5	2149.6	546.5	2167.1	586.9	2181.9	641.3	2193.3	708.0	2204.0	813.6	2211.4	937.8	2216.7	1017.3	
	8							2168.6	769.4	2182.7	836.1	2196.1	941.8	2205.3	1065.9	2211.8	1145.4	
	10									2172.8	964.3	2188.6	1069.9	2199.5	1194.1			

Blackmer reserves the right to change the data in the table without prior notice.

U.S. STANDARD		Speed n=1750 rpm															
Specification	Pressure ΔP PSI	Viscosity (mm ² /s) (cSt)															
		1		15		35		75		150		350		750		1500	
		Capacity GPM	Power HP	Capacity GPM	Power HP	Capacity GPM	Power HP	Capacity GPM	Power HP	Capacity GPM	Power HP	Capacity GPM	Power HP	Capacity GPM	Power HP	Capacity GPM	Power HP
36000-75	29.0	5657	272	5680	332	5693	389	5704	467	5712	562	5721	713	5726	890	5730	1004
	58.0	5597	372	5635	432	5657	489	5676	567	5690	662	5703	813	5713	990	5720	1104
	87.0	5544	472	5596	532	5626	590	5651	667	5670	763	5689	913	5702	1091	5710	1204
	116.0	5496	572	5561	632	5597	690	5629	767	5653	863	5675	1014	5691	1191	5702	1304
	145.0	5451	673	5527	732	5570	790	5607	868	5636	963	5662	1114	5681	1291	5694	1405
	174.0	5408	773	5495	833	5545	890	5587	968	5620	1063	5651	1214	5672	1391	5687	1505
	203.1	5367	873	5464	933	5520	991	5568	1068	5604	1163	5639	1314	5663	1491	5680	1605
	232.1	5327	973	5435	1033	5497	1091	5549	1168	5590	1264	5628	1414	5654	1592	5673	1705
	261.1			5406	1133	5474	1191	5531	1269	5575	1364	5617	1515	5646	1692	5666	1805
	290.1					5452	1291	5514	1369	5561	1464	5607	1615	5638	1792	5660	1906
	319.1									1469	5548	1564	5596	1715	5629	1892	5654
348.1									1569	5534	1665	5586	1815	5622	1993	5647	2106
36000-100	29.0	7500	336	7542	406	7565	474	7586	565	7601	677	7616	855	7626	1064	7633	1197
	58.0	7391	469	7461	540	7501	608	7535	699	7560	811	7585	989	7602	1197	7614	1331
	87.0	7296	603	7390	673	7444	741	7490	833	7525	945	7558	1122	7581	1331	7597	1465
	116.0	7208	736	7325	807	7392	875	7449	966	7492	1078	7534	1256	7562	1465	7583	1598
	145.0	7125	870	7264	941	7343	1008	7410	1100	7462	1212	7511	1390	7544	1598	7568	1732
	174.0	7047	1004	7206	1074	7296	1142	7373	1233	7433	1346	7489	1523	7527	1732	7555	1865
	203.1			7150	1208	7252	1276	7338	1367	7405	1479	7468	1657	7511	1865	7542	1999
	232.1			7096	1341	7209	1409	7304	1501	7378	1613	7447	1791	7495	1999	7529	2133
	261.1					7167	1543	7272	1634	7352	1747	7428	1924	7480	2133	7517	2266
	290.1							7240	1768	7326	1880	7409	2058	7465	2266	7505	2400
	319.1									7302	2014	7390	2191	7450	2400	7494	2534
348.1									7277	2147	7372	2325	7436	2534	7483	2667	
36000-150	29.0	11413	484	11490	582	11533	676	11570	802	11598	958	11625	1204	11644	1493	11657	1678
	58.0	11213	688	11341	786	11414	880	11476	1006	11524	1162	11569	1408	11600	1697	11623	1882
	87.0	11037	892	11211	990	11310	1084	11394	1211	11459	1366	11520	1612	11562	1901	11592	2086
	116.0	10876	1097	11091	1194	11214	1288	11319	1415	11399	1570	11475	1816	11527	2105	11564	2290
	145.0	10725	1301	10979	1399	11124	1493	11248	1619	11342	1775	11432	2020	11494	2310	11538	2495
	174.0			10872	1603	11039	1697	11180	1823	11289	1979	11392	2225	11463	2514	11513	2699
	203.1							11116	2028	11238	2183	11354	2429	11433	2718	11490	2903
	232.1									11188	2387	11316	2633	11404	2922	11467	3107
36000-170	29.0	13220	515	13296	613	13340	707	13377	834	13405	989	13432	1235	13450	1524	13463	1709
	58.0	13020	751	13148	849	13221	943	13283	1069	13330	1225	13376	1471	13407	1760	13429	1945
	87.0	12844	987	13017	1085	13116	1179	13200	1305	13265	1461	13326	1707	13369	1996	13399	2181
	116.0	12683	1223	12898	1320	13021	1414	13125	1541	13205	1696	13281	1942	13333	2231	13371	2416
	145.0					12931	1650	13054	1777	13149	1932	13239	2178	13301	2467	13345	2652
174.0							12987	2012	13096	2168	13199	2414	13270	2703	13320	2888	
36000-210	29.0	16400	571	16476	669	16519	763	16556	889	16584	1045	16611	1291	16630	1580	16643	1765
	58.0	16199	862	16327	960	16400	1054	16463	1180	16510	1336	16555	1582	16587	1871	16609	2056
	87.0	16024	1153	16197	1251	16296	1345	16380	1472	16445	1627	16506	1873	16548	2162	16578	2347
	116.0					16201	1636	16305	1763	16385	1918	16461	2164	16513	2453	16551	2638
	145.0									16329	2210	16418	2455	16481	2744	16525	2930

Blackmer reserves the right to change the data in the table without prior notice.

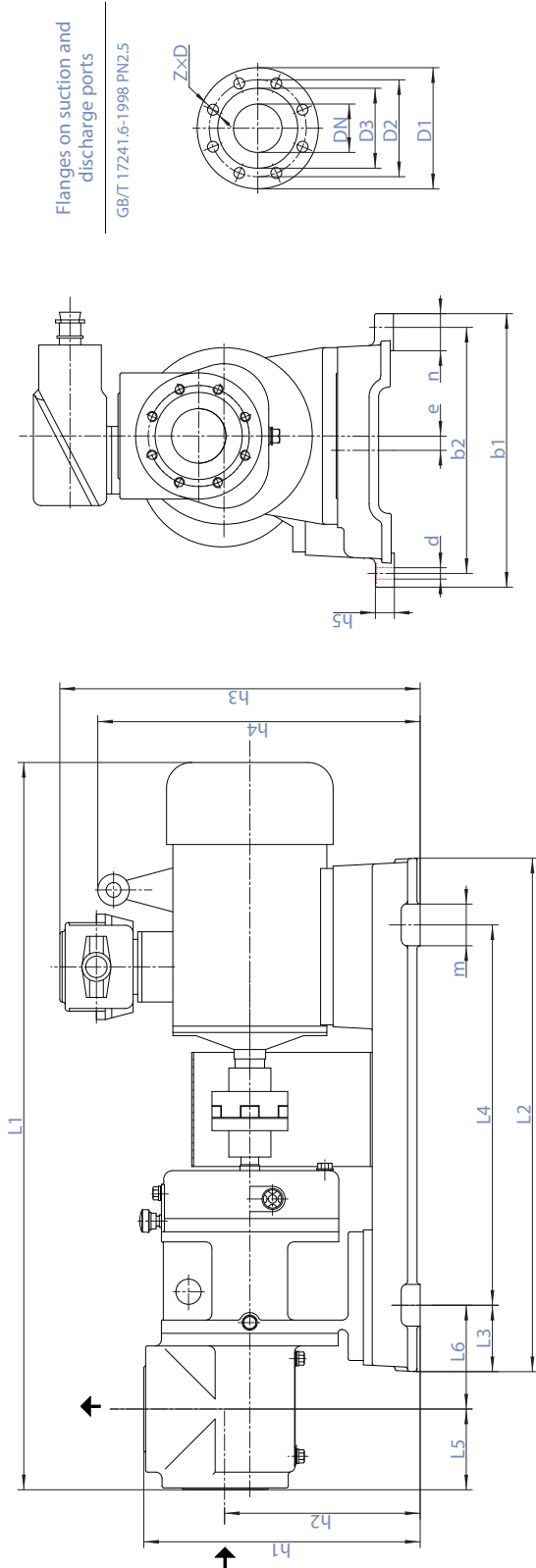
Speed n=1750 rpm

METRIC

Specification	Pressure ΔP bar	Viscosity (mm ² /s) (cSt)															
		1		15		35		75		150		350		750		1500	
		Capacity m ³ /h	Power kW	Capacity m ³ /h	Power kW	Capacity m ³ /h	Power kW	Capacity m ³ /h	Power kW	Capacity m ³ /h	Power kW	Capacity m ³ /h	Power kW	Capacity m ³ /h	Power kW	Capacity m ³ /h	Power kW
36000-75	2	1284.9	202.6	1290.0	247.3	1293.0	290.3	1295.5	348.1	1297.4	419.2	1299.3	531.6	1300.5	663.8	1301.4	748.4
	4	1271.2	277.4	1279.9	322.0	1284.9	365.0	1289.1	422.9	1292.4	493.9	1295.4	606.4	1297.6	738.5	1299.1	823.2
	6	1259.3	352.1	1271.1	396.7	1277.8	439.8	1283.5	497.6	1287.9	568.7	1292.1	681.1	1295.0	813.3	1297.0	897.9
	8	1248.3	426.8	1263.0	471.5	1271.3	514.5	1278.4	572.3	1283.9	643.4	1289.0	755.8	1292.6	888.0	1295.1	972.6
	10	1238.0	501.6	1255.3	546.2	1265.2	589.2	1273.6	647.1	1280.0	718.1	1286.1	830.6	1290.3	962.7	1293.3	1047.4
	12	1228.2	576.3	1248.1	620.9	1259.4	664.0	1269.0	721.8	1276.4	792.9	1283.4	905.3	1288.2	1037.5	1291.7	1122.1
	14	1218.9	651.0	1241.1	695.7	1253.8	738.7	1264.6	796.6	1272.9	867.6	1280.8	980.0	1286.2	1112.2	1290.0	1196.8
	16	1209.8	725.8	1234.4	770.4	1248.5	813.4	1260.4	871.3	1269.6	942.3	1278.2	1054.8	1284.2	1186.9	1288.5	1271.6
	18			1227.9	845.1	1243.2	888.2	1256.3	946.0	1266.3	1017.1	1275.8	1129.5	1282.3	1261.7	1287.0	1346.3
	20					1238.2	962.9	1252.3	1020.8	1263.1	1091.8	1273.4	1204.2	1280.5	1336.4	1285.5	1421.0
	22							1248.4	1095.5	1260.0	1166.6	1271.1	1279.0	1278.6	1411.1	1284.1	1495.8
	24							1244.6	1170.2	1257.0	1241.3	1268.8	1353.7	1276.9	1485.9	1282.7	1570.5
36000-100	2	1703.5	250.2	1712.9	302.8	1718.3	353.4	1722.9	421.6	1726.4	505.2	1729.7	637.6	1732.0	793.2	1733.6	892.9
	4	1678.8	349.9	1694.6	402.4	1703.6	453.1	1711.3	521.2	1717.2	604.9	1722.8	737.3	1726.6	892.9	1729.3	992.5
	6	1657.1	449.5	1678.5	502.1	1690.7	552.7	1701.1	620.9	1709.1	704.5	1716.7	836.9	1721.9	992.5	1725.6	1092.2
	8	1637.1	549.2	1663.7	601.7	1678.9	652.4	1691.8	720.5	1701.7	804.2	1711.1	936.6	1717.6	1092.2	1722.2	1191.8
	10	1618.4	648.8	1649.8	701.4	1667.8	752.0	1683.1	820.2	1694.8	903.8	1705.9	1036.2	1713.5	1191.8	1718.9	1291.5
	12	1600.6	748.5	1636.6	801.0	1657.2	851.7	1674.7	919.8	1688.2	1003.5	1700.9	1135.9	1709.6	1291.5	1715.9	1391.1
	14			1624.0	900.7	1647.1	951.3	1666.7	1019.5	1681.8	1103.1	1696.1	1235.5	1705.9	1391.1	1712.9	1490.8
	16			1611.8	1000.3	1637.3	1051.0	1659.0	1119.1	1675.7	1202.8	1691.5	1335.2	1702.4	1490.8	1710.1	1590.4
	18					1627.9	1150.6	1651.6	1218.8	1669.8	1302.4	1687.0	1434.8	1698.9	1590.4	1707.3	1690.1
	20							1644.3	1318.4	1664.0	1402.1	1682.7	1534.5	1695.5	1690.1	1704.7	1789.7
	22									1658.4	1501.7	1678.4	1634.1	1692.2	1789.7	1702.1	1889.4
	24									1652.9	1601.4	1674.3	1733.8	1689.0	1889.4	1699.5	1989.0
36000-150	2	2592.3	360.9	2609.6	433.7	2619.5	503.9	2627.9	598.2	2634.3	714.2	2640.4	897.5	2644.6	1113.1	2647.6	1251.1
	4	2546.8	513.2	2575.9	586.0	2592.5	656.2	2606.6	750.5	2617.4	866.5	2627.7	1049.8	2634.7	1265.4	2639.8	1403.4
	6	2506.9	665.5	2546.3	738.3	2568.8	808.5	2587.9	902.8	2602.6	1018.8	2616.5	1202.1	2626.1	1417.7	2632.9	1555.7
	8	2470.3	817.8	2519.1	890.6	2547.1	960.8	2570.8	1055.1	2589.0	1171.1	2606.2	1354.4	2618.1	1570.0	2626.6	1708.0
	10	2435.9	970.1	2493.6	1042.9	2526.6	1113.1	2554.7	1207.4	2576.2	1323.3	2596.6	1506.7	2610.6	1722.3	2620.6	1860.3
	12			2469.4	1195.2	2507.2	1265.4	2539.4	1359.7	2564.1	1475.6	2587.5	1659.0	2603.5	1874.6	2615.0	2012.6
	14							2524.7	1512.0	2552.4	1627.9	2578.7	1811.3	2596.7	2026.9	2609.6	2164.9
	16									2541.2	1780.2	2570.2	1963.6	2590.1	2179.1	2604.4	2317.2
36000-170	2	3002.7	384.4	3019.9	457.2	3029.8	527.4	3038.2	621.7	3044.6	737.7	3050.7	921.0	3054.9	1136.6	3057.9	1274.6
	4	2957.1	560.2	2986.2	633.0	3002.8	703.2	3016.9	797.5	3027.7	913.5	3038.0	1096.8	3045.1	1312.4	3050.1	1450.4
	6	2917.2	736.0	2956.6	808.8	2979.1	879.0	2998.2	973.3	3012.9	1089.3	3026.8	1272.6	3036.4	1488.2	3043.2	1626.2
	8	2880.6	911.8	2929.4	984.6	2957.4	1054.8	2981.1	1149.1	2999.3	1265.1	3016.6	1448.4	3028.4	1664.0	3036.9	1802.0
	10					2937.0	1230.6	2965.0	1324.9	2986.5	1440.9	3006.9	1624.2	3021.0	1839.8	3031.0	1977.8
	12							2949.7	1500.7	2974.4	1616.7	2997.8	1800.0	3013.9	2015.6	3025.3	2153.6
36000-210	2	3724.9	425.8	3742.1	498.6	3752.0	568.7	3760.4	663.1	3766.8	779.0	3772.9	962.4	3777.1	1177.9	3780.1	1316.0
	4	3679.3	642.9	3708.4	715.7	3725.0	785.9	3739.1	880.3	3749.9	996.2	3760.2	1179.6	3767.3	1395.1	3772.3	1533.1
	6	3639.4	860.1	3678.8	932.9	3701.3	1003.1	3720.4	1097.4	3735.1	1213.3	3749.0	1396.7	3758.6	1612.3	3765.4	1750.3
	8					3679.6	1220.2	3703.3	1314.6	3721.5	1430.5	3738.8	1613.9	3750.6	1829.4	3759.1	1967.5
	10									3708.7	1647.7	3729.1	1831.0	3743.2	2046.6	3753.2	2184.6

Blackmer reserves the right to change the data in the table without prior notice.

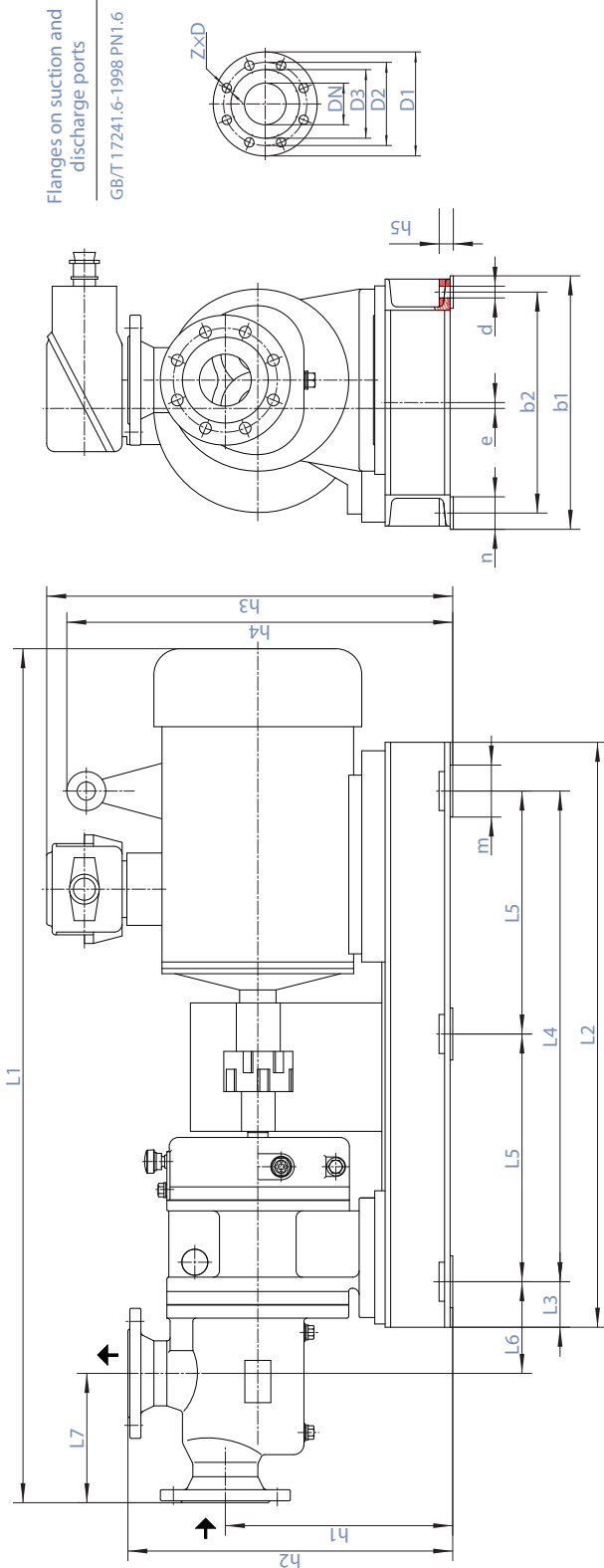
2H - F



Pump model	Motor	L1	L2	L3	L4	L5	L6	b1	b2	d	e	m	n	h1	h2	h3	h4	h5	DN	D1	D2	D3	D	Z			
360	YB180	1410	990	780	128	164	474	430	34.5	20	70	60	485	310	655	640	495	30	80	200	160	132	M16	8			
	YB160	1350	945	720	464	420	434	390																	22	608	453
	YB132	1205	815	605	610	100	440	395	345	20	38.5	70	55	348	252.5	498	363	490	355	548	393	25	50	165	125	99	M16
260	YB160	1125	793	610	142.5	153.5	390	325	38.5	20	70	55	378	282.5	548	498	490	355	65	185	145	118	M16	4			
	YB132	1040	720	530	370	325	20	38.5																	70	55	330
	YB112	925	630	480	545	80	370	325	20	38.5	70	55	330	244.5	490	355	548	393	25	50	165	125	99	M16	4		
160	YB132	1021	725	545	115	135	390	345	38.5	20	70	55	330	244.5	498	363	490	355	50	165	125	99	M16	4			
	YB112	930	636	475	95	370	325	20																	23	490	355
YB100	905	636	475	95	370	325	20	23	490	355	490	355	490	355	490	355	490	355	50	165	125	99	M16	4			

Note: Blackmer reserves the right to change the dimensions in the drawing. The dimensions in the drawing for confirmation shall prevail.

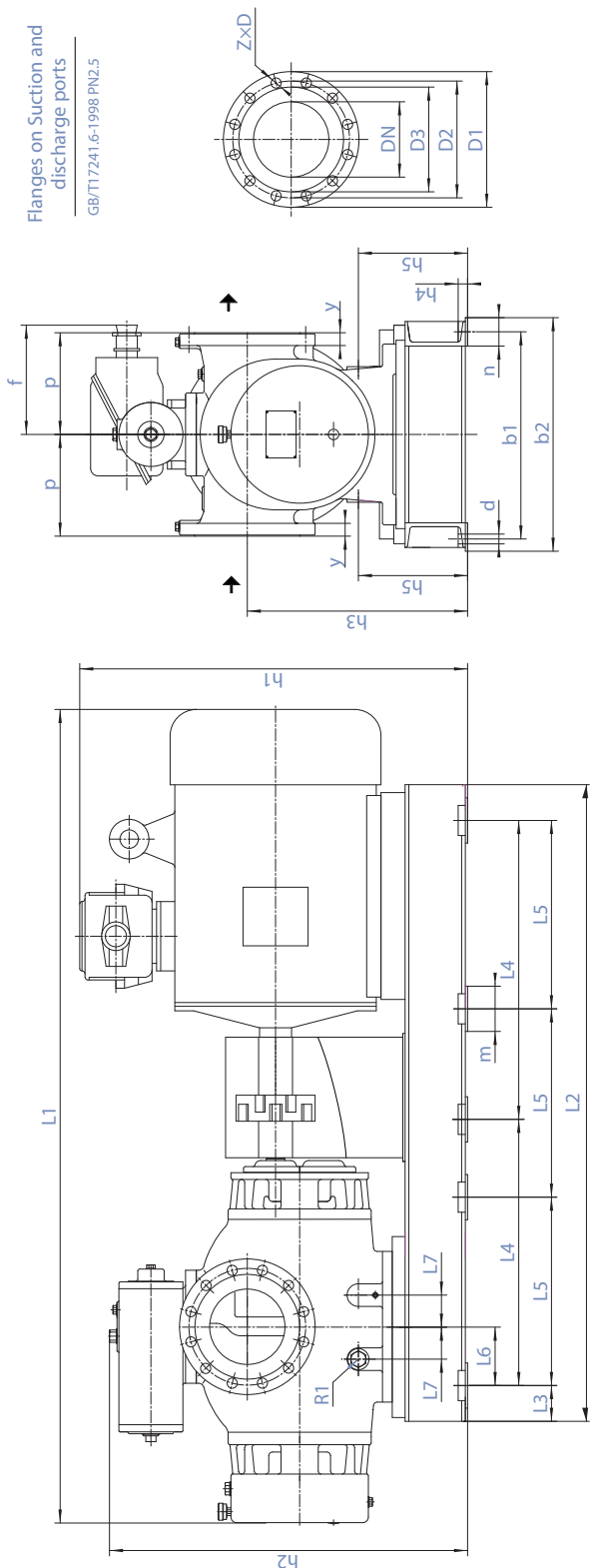
2H - G



Pump model	Motor	L1	L2	L3	L4	L5	L6	L7	b1	b2	d	e	m	n	h1	h2	h3	h4	h5	DN	D1	D2	D3	D	Z
360	YB160	1359	957	720	--	150	200	464	420	34.5	70	55	320	470	635	490	30	80	200	132	18	8			
	YB132	1201	815	605	--	146	190	434	400	22	75	55	270	375	608	453	30	65	185	145	118	18	4		
260	YB160	1216	773	590	--	146	190	440	395	38.5	75	55	280	385	620	475	30	80	200	132	18	8			
	YB132	1111	700	530	--	146	190	415	370	20	75	55	270	375	578	423	30	65	185	145	118	18	4		
	YB112	1021	610	460	--	108.5	162	395	350	33.2	75	55	240	365	518	383	25	50	165	125	99	18	4		
160	YB100	991	720	530	--	108.5	162	390	345	20	75	55	240	365	498	363	25	50	165	125	99	18	4		
	YB132	1055	720	530	--	108.5	162	390	345	20	75	55	240	365	552	397	25	50	165	125	99	18	4		
160	YB112	965	630	480	--	108.5	162	370	325	33.2	75	55	240	365	498	363	25	50	165	125	99	18	4		
	YB100	935	630	480	--	108.5	162	370	325	33.2	75	55	240	365	490	355	25	50	165	125	99	18	4		

Note: Blackmer reserves the right to change the dimensions in the drawing. The dimensions in the drawing for confirmation shall prevail.

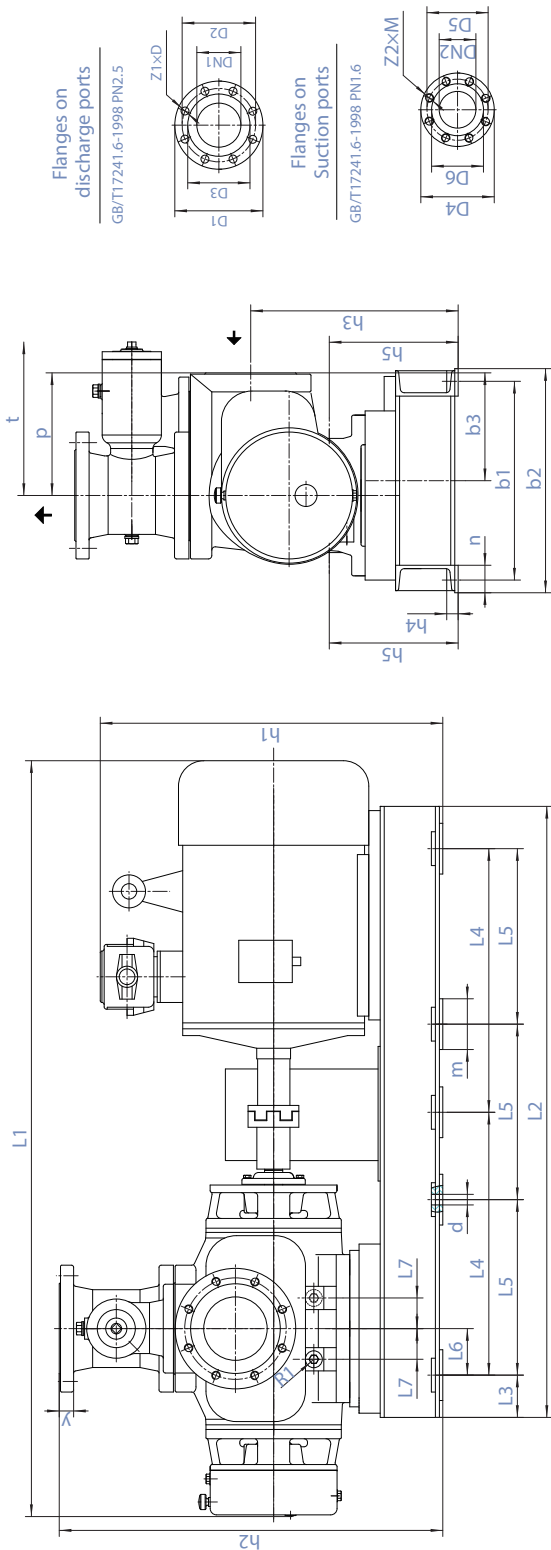
2HM - A



Pump model	Motor		L1	L2	L3	L4	L5	L6	b1	b2	m	d	n	p	h1	h2	h3	h4	h5	L7	R1	DN	D1	D2	D3	Y	D	Z	Z f
	280	YB112	1075	900		80	370		30	355	400	70	20	55	160	548	480	305	26	148	35	R1/2	80	200	160	133	26	18	8
YB132		1165													598													240	
YB160		1315	1010		425				430	475				630	630														
YB180		1350												645	645														
560	YB132	1285	970		395		45	375	420	80	20	57	180	643	582	355	30	165	47.5	R1/2	100	235	190	158	28	22	8	240	
	YB160	1430	1120		470				430	475				690	690														
	YB180	1490												765	765														
	YB200	1590	1270		535		55	400	460	100	25	65	210	820	755	455	27	240	55	R3/4	125	270	220	184	30	26	8	240	
800	YB200	1650	1310		555									840	840														290
	YB225	1720	1360		580									885	885														
	YB160	1625	1375		600									810	810														240
	YB180	1680			615									825	825														
1400	YB200	1745	1405		645		105	450	500	100	25	65	230	865	815	510	25	250	72.5	R1	150	300	250	212	34	27	8	290	
	YB225	1815	1465		645									885	885														
	YB250	1880	1525		645									960	960														330
	YB280	2005	1585		645									1000	825	520													
2500	YB180	1865	1485		640									895	895														240
	YB200	1925	1510		650		110	550	610	120	25	70	270	935	950	585	27	290	85	R1	200	360	310	278	34	27	12	290	
	YB225	1995	1570		680									955	955														
	YB250	2060	1590		690									1030	1030														330
4200	YB280	2185	1695		685									1060	1060														340
	YB315	2575	1875	110	520	105	105	640	700	75	75			1215	970	605		310											290
	YB225	2165	1860		540									1050	1050	1080	690	27	325	100	R1	250	425	370	335	36	30	12	330
	YB250	2230	1920	120	560	165	165	620	690	120	30	70	325	1125	1125														340
YB280	2355	2040		600									1155	1155															330
YB315	2745	2195		655	130	130	655	730	75	75			1315	1105	713				348										340

Note: Blackmer reserves the right to change the dimensions in the drawing. The dimensions in the drawing for confirmation shall prevail.

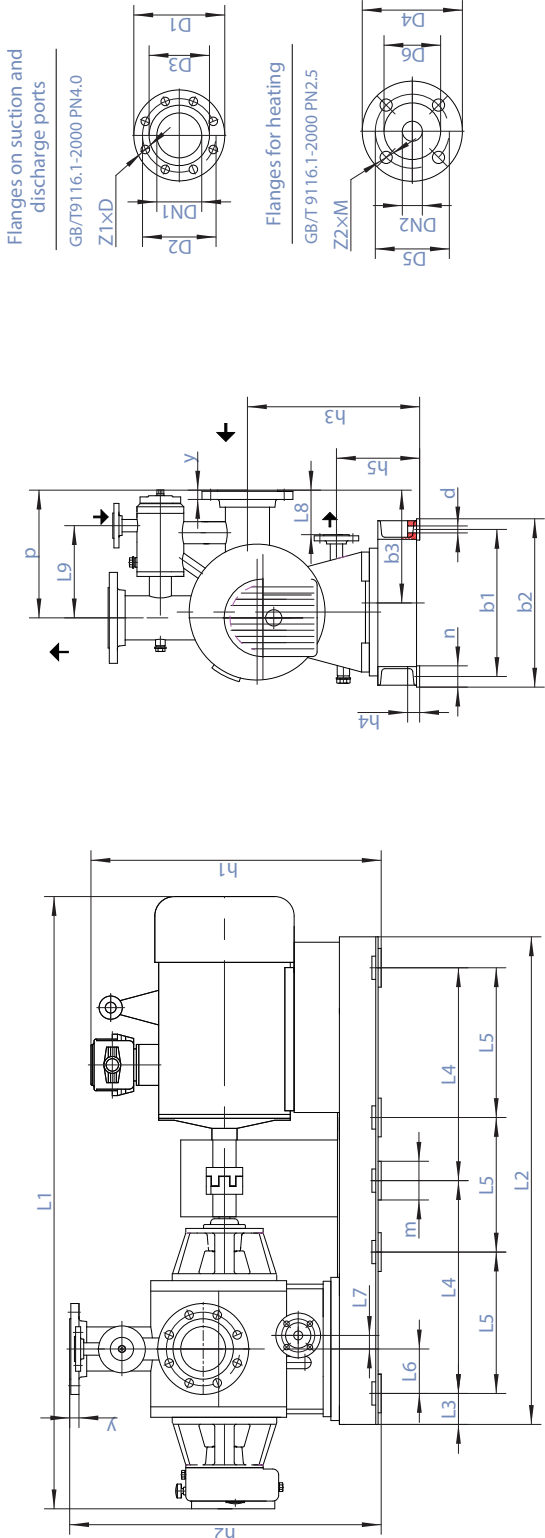
2HM - B



Pump model	Motor	L1	L2	L3	L4	L5	L6	L7	L8	L9	L10	L11	L12	L13	L14	L15	L16	L17	L18	L19	L20	L21	L22	L23	L24	L25	L26	L27	L28	L29	L30	L31	L32	L33	L34	L35	L36	L37	L38	L39	L40	L41	L42	L43	L44	L45	L46	L47	L48	L49	L50	L51	L52	L53	L54	L55	L56	L57	L58	L59	L60	L61	L62	L63	L64	L65	L66	L67	L68	L69	L70	L71	L72	L73	L74	L75	L76	L77	L78	L79	L80	L81	L82	L83	L84	L85	L86	L87	L88	L89	L90	L91	L92	L93	L94	L95	L96	L97	L98	L99	L100	L101	L102	L103	L104	L105	L106	L107	L108	L109	L110	L111	L112	L113	L114	L115	L116	L117	L118	L119	L120	L121	L122	L123	L124	L125	L126	L127	L128	L129	L130	L131	L132	L133	L134	L135	L136	L137	L138	L139	L140	L141	L142	L143	L144	L145	L146	L147	L148	L149	L150	L151	L152	L153	L154	L155	L156	L157	L158	L159	L160	L161	L162	L163	L164	L165	L166	L167	L168	L169	L170	L171	L172	L173	L174	L175	L176	L177	L178	L179	L180	L181	L182	L183	L184	L185	L186	L187	L188	L189	L190	L191	L192	L193	L194	L195	L196	L197	L198	L199	L200
150	YB100	958	700	530	80	—	10	255	300	132	60	20	4	160	22	—	505	390	290	166																																																																																																																																																																																					
	YB112	988	700	530	80	—	10	255	300	132	60	20	4	160	22	—	520	395	295	14																																																																																																																																																																																					
	YB132	1080	780	635	85	—	10	290	330	132	60	20	4	160	22	—	590	415	315	14																																																																																																																																																																																					
	YB112	1077	810	320	320	—	25	315	360	195	80	20	50	195	26	212	530	593	299	176																																																																																																																																																																																					
	YB132	1168	890	360	360	—	32	355	400	161.5	80	20	50	195	26	212	590	603	309	186																																																																																																																																																																																					
	YB160	1313	1020	425	425	—	40	375	420	—	80	20	50	195	26	212	650	631	337	214																																																																																																																																																																																					
	YB180	1371	1070	450	450	—	40	375	420	—	80	20	50	195	26	212	685	651	357	234																																																																																																																																																																																					
	YB132	1283	980	400	400	—	33	380	206.5	—	80	20	50	220	28	252	610	678	339	197																																																																																																																																																																																					
	YB160	1428	1120	470	470	—	50	385	443	—	80	20	50	220	28	252	650	686	347	205																																																																																																																																																																																					
	YB180	1486	1180	500	500	—	50	405	450	181.5	80	20	50	220	28	252	687	708	369	227																																																																																																																																																																																					
	YB200	1547	1220	520	520	—	50	405	450	181.5	80	20	50	220	28	252	747	728	389	247																																																																																																																																																																																					
	YB160	1530	1200	500	500	—	60	420	480	—	120	25	65	268	30	352	700	776	500	245																																																																																																																																																																																					
	YB180	1590	1250	525	525	—	60	420	480	—	120	25	65	268	30	352	730	791	525	260																																																																																																																																																																																					
	YB200	1650	1300	550	550	—	70	440	500	224.5	120	25	65	268	30	352	795	816	550	285																																																																																																																																																																																					
	YB225	1720	1360	580	580	—	70	450	510	—	120	25	65	268	30	352	840	841	580	310																																																																																																																																																																																					
	YB160	1623	1280	540	540	—	105	430	490	270	—	—	—	—	—	—	733	870	453	268																																																																																																																																																																																					
	YB180	1681	1330	565	565	—	105	430	490	270	—	—	—	—	—	—	748	877	460	275																																																																																																																																																																																					
	YB200	1742	1380	590	590	—	110	470	530	255	120	25	65	363	30	363	795	877	460	275																																																																																																																																																																																					
	YB225	1813	1445	—	—	—	415	450	500	—	120	25	65	363	30	363	845	907	490	305																																																																																																																																																																																					
	YB250	1878	1550	—	—	—	450	510	570	236	—	—	—	—	—	—	950	937	520	335																																																																																																																																																																																					
	YB280	2005	1610	—	—	—	470	550	610	—	—	—	—	—	—	—	1000	957	540	355																																																																																																																																																																																					
	YB180	1865	1460	610	610	—	127	550	610	345.5	120	25	70	345.5	30	488	801	960	516	299																																																																																																																																																																																					
	YB200	1925	1530	645	645	—	127	575	635	—	120	25	70	345.5	30	488	861	985	541	27																																																																																																																																																																																					
	YB225	1995	1600	680	680	—	110	590	650	325.5	120	25	70	345.5	30	488	961	985	541	27																																																																																																																																																																																					
	YB250	2060	1640	700	700	—	110	620	680	310.5	120	25	70	345.5	30	488	1030	1024	580	363																																																																																																																																																																																					
	YB280	2185	1710	—	—	—	490	680	750	218.5	—	—	—	—	—	—	1215	1074	630	413																																																																																																																																																																																					
	YB315	2175	1895	—	—	—	550	715	785	218.5	—	—	—	—	—	—	1215	1074	630	413																																																																																																																																																																																					
	YB225	2165	1700	500	500	—	115	695	755	218.5	120	25	70	395	30	517	920	1106	600	330																																																																																																																																																																																					
	YB250	2230	1745	515	515	—	115	695	755	218.5	120	25	70	395	30	517	995	1106	600	330																																																																																																																																																																																					
	YB280	2355	1835	545	545	—	115	710	770	218.5	120	25	70	395	30	517	1040	1121	615	29																																																																																																																																																																																					
	YB315	2475	2000	600	600	—	165	800	870	218.5	120	25	70	395	30	517	1215	1161	655	385																																																																																																																																																																																					
	YB250	2254	1780	520	520	—	140	755	830	415	120	30	80	470	40	685	1070	—	—	—																																																																																																																																																																																					
	YB280	2381	1900	560	560	—	140	755	830	415	120	30	80	470	40	685	1100	1301	685	30																																																																																																																																																																																					
	YB315	2768	2050	610	610	—	160	815	890	400	—	—	—	—	—	—	1235	—	—	—																																																																																																																																																																																					
	YB355	3100	2320	700	700	—	160	815	890	400	—	—	—	—	—	—	1335	1343	725	435																																																																																																																																																																																					

Note: Blackmer reserves the right to change the dimensions in the drawing. The dimensions in the drawing for confirmation shall prevail.

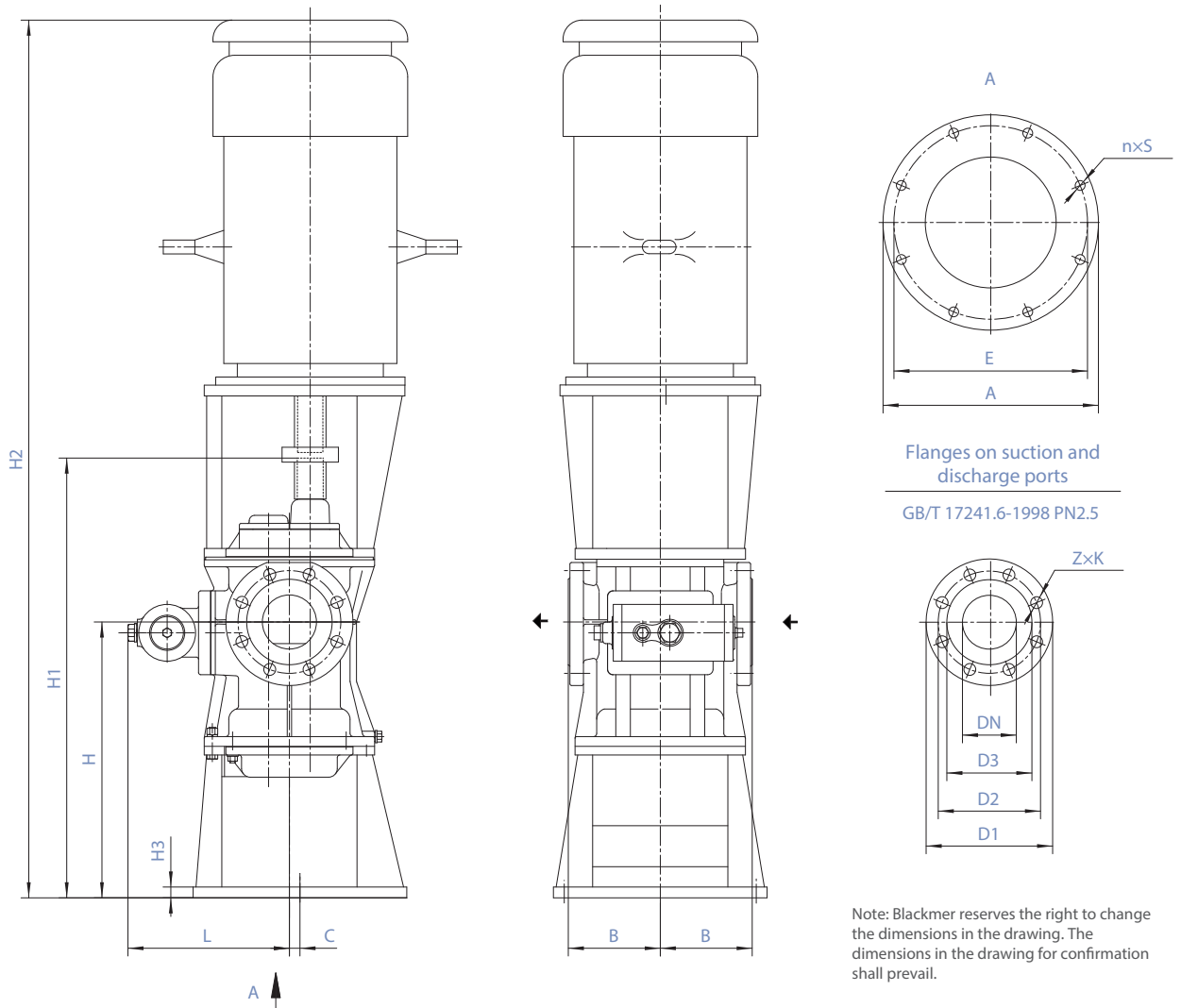
2HRA



Pump model	Motor	L1	L2	L3	L4	L5	L6	L7	L8	L9	DN1	D1	D2	D3	D	Z1	DN2	D4	D5	D6	M	Z2	f														
280	YB112	1210	855	345	—	85	385	430	261.5	80	20	50	285	24	675	725	720	445	20	193	25	90	188	80	200	160	133	18	8	25	115	85	65	14	4	240	
	YB132	1300	930	385	—	85	385	430	261.5	80	20	50	285	24	725	760	760	445	20	193	25	90	188	80	200	160	133	18	8	25	115	85	65	14	4	240	
	YB160	1445	1010	500	—	115	380	435	219.5	100	20	55	315	24	775	775	805	445	30	215	35	115	238	100	235	190	158	22	8	25	115	85	65	14	4	240	
	YB180	1480	—	—	—	—	—	—	—	—	—	—	—	—	743	775	805	445	30	215	35	115	238	100	235	190	158	22	8	25	115	85	65	14	4	240	
560	YB160	1535	1230	460	—	115	380	435	219.5	100	20	55	315	24	860	875	970	555	28	264	40	125	273	125	270	220	184	26	8	25	115	85	65	14	4	240	
	YB180	1595	1260	550	—	143	500	570	351.5	120	25	65	380	26	915	935	970	555	28	264	40	125	273	125	270	220	184	26	8	25	115	85	65	14	4	240	
	YB160	1635	1350	595	—	165	580	650	346	120	25	70	400	28	1010	1030	1055	1025	28	268	40	125	273	125	270	220	184	26	8	25	115	85	65	14	4	240	
	YB180	1695	1400	620	—	165	580	650	346	120	25	70	400	28	880	895	1050	1020	26	263	—	—	—	—	—	—	—	—	—	—	—	—	—	—	—	—	240
800	YB180	1864	1490	650	—	165	580	650	346	120	25	70	400	28	980	985	1055	1025	28	268	40	125	273	125	270	220	184	26	8	25	115	85	65	14	4	240	
	YB200	1925	1530	705	—	165	580	650	346	120	25	70	400	28	980	985	1055	1025	28	268	40	125	273	125	270	220	184	26	8	25	115	85	65	14	4	290	
	YB225	1986	1600	705	—	165	580	650	346	120	25	70	400	28	1030	1030	1050	1020	263	263	—	—	—	—	—	—	—	—	—	—	—	—	—	—	—	330	
	YB250	2016	1640	100	—	480	160	—	—	—	—	—	—	—	1060	1060	1050	1020	263	263	—	—	—	—	—	—	—	—	—	—	—	—	—	—	—	330	
	YB280	2188	1740	105	—	510	155	—	—	—	—	—	—	—	950	950	—	—	—	—	—	—	—	—	—	—	—	—	—	—	—	—	—	—	—	240	
	YB180	2043	1770	—	540	—	—	—	—	—	—	—	—	—	890	890	—	—	—	—	—	—	—	—	—	—	—	—	—	—	—	—	—	—	—	290	
	YB200	2104	—	—	560	—	—	—	—	—	—	—	—	—	1010	1010	1235	675	34	293	75	158	388	200	360	310	278	27	12	25	115	85	65	14	4	330	
	YB225	2175	1830	—	580	—	—	—	—	—	—	—	—	—	1085	1085	—	—	—	—	—	—	—	—	—	—	—	—	—	—	—	—	—	—	—	330	
	YB250	2240	1890	—	610	—	—	—	—	—	—	—	—	—	1115	1115	—	—	—	—	—	—	—	—	—	—	—	—	—	—	—	—	—	—	—	340	
	YB280	2367	1980	—	670	—	—	—	—	—	—	—	—	—	1250	1250	—	—	—	—	—	—	—	—	—	—	—	—	—	—	—	—	—	—	—	290	
	YB315	2756	2160	—	720	—	—	—	—	—	—	—	—	—	1100	1100	—	—	—	—	—	—	—	—	—	—	—	—	—	—	—	—	—	—	—	330	
	YB315	2756	2160	—	725	—	—	—	—	—	—	—	—	—	1175	1175	—	—	—	—	—	—	—	—	—	—	—	—	—	—	—	—	—	—	—	290	
4200	YB225	2421	2000	—	600	—	—	—	—	—	—	—	—	—	1175	1175	—	—	—	—	—	—	—	—	—	—	—	—	—	—	—	—	—	—	—	330	
	YB250	2486	2060	—	620	—	—	—	—	—	—	—	—	—	1205	1205	1395	780	30	325	80	130	405	250	425	370	335	30	12	25	115	85	65	14	4	340	
	YB280	2613	2150	100	—	650	267	—	—	—	—	—	—	—	1340	1340	—	—	—	—	—	—	—	—	—	—	—	—	—	—	—	—	—	—	—	290	
	YB315	3002	2300	—	700	—	—	—	—	—	—	—	—	—	1380	1380	—	—	—	—	—	—	—	—	—	—	—	—	—	—	—	—	—	—	—	330	
	YB315	3002	2300	—	780	—	—	—	—	—	—	—	—	—	1380	1380	—	—	—	—	—	—	—	—	—	—	—	—	—	—	—	—	—	—	—	340	
	YB355	3332	2540	—	800	—	—	—	—	—	—	—	—	—	1100	1100	—	—	—	—	—	—	—	—	—	—	—	—	—	—	—	—	—	—	—	290	
	YB355	3332	2540	—	780	—	—	—	—	—	—	—	—	—	1175	1175	—	—	—	—	—	—	—	—	—	—	—	—	—	—	—	—	—	—	—	330	
7000	YB250	2495	2090	—	610	—	—	—	—	—	—	—	—	—	1035	1035	1490	840	—	—	—	—	—	—	—	—	—	—	—	—	—	—	—	—	—	330	
	YB280	2625	2180	—	640	—	—	—	—	—	—	—	—	—	1075	1075	1495	845	30	310	95	215	525	300	485	430	390	30	16	25	115	85	65	14	4	330	
	YB315	3010	2360	130	—	700	—	—	—	—	—	—	—	—	1155	1155	1490	840	30	310	95	215	525	300	485	430	390	30	16	25	115	85	65	14	4	340	
	YB355	3350	2450	—	730	—	—	—	—	—	—	—	—	—	1450	1450	1505	855	325	325	—	—	—	—	—	—	—	—	—	—	—	—	—	—	—	340	
	YB250	2627	2060	—	620	—	—	—	—	—	—	—	—	—	1360	1360	—	—	—	—	—	—	—	—	—	—	—	—	—	—	—	—	—	—	—	330	
	YB280	2752	2360	—	720	—	—	—	—	—	—	—	—	—	1390	1390	1770	960	—	—	—	—	—	—	—	—	—	—	—	—	—	—	—	—	—	330	
	YB315	3141	2510	—	770	—	—	—	—	—	—	—	—	—	1535	1535	—	—	—	—	—	—	—	—	—	—	—	—	—	—	—	—	—	—	—	340	
9800	YB315	3141	2510	—	720	—	—	—	—	—	—	—	—	—	1360	1360	—	—	—	—	—	—	—	—	—	—	—	—	—	—	—	—	—	—	—	330	
	YB355	3471	2720	—	840	—	—	—	—	—	—	—	—	—	1565	1565	—	—	—	—	—	—	—	—	—	—	—	—	—	—	—	—	—	—	—	340	

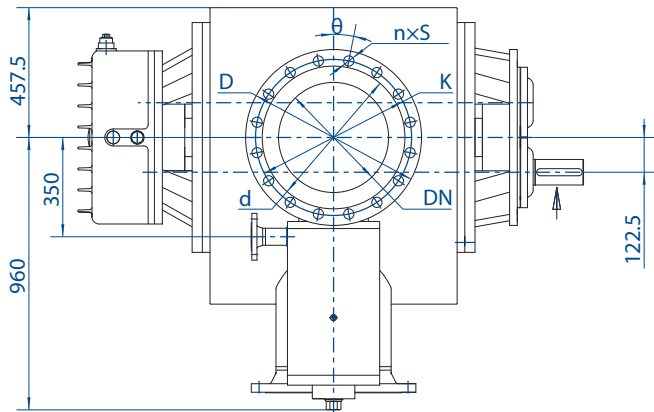
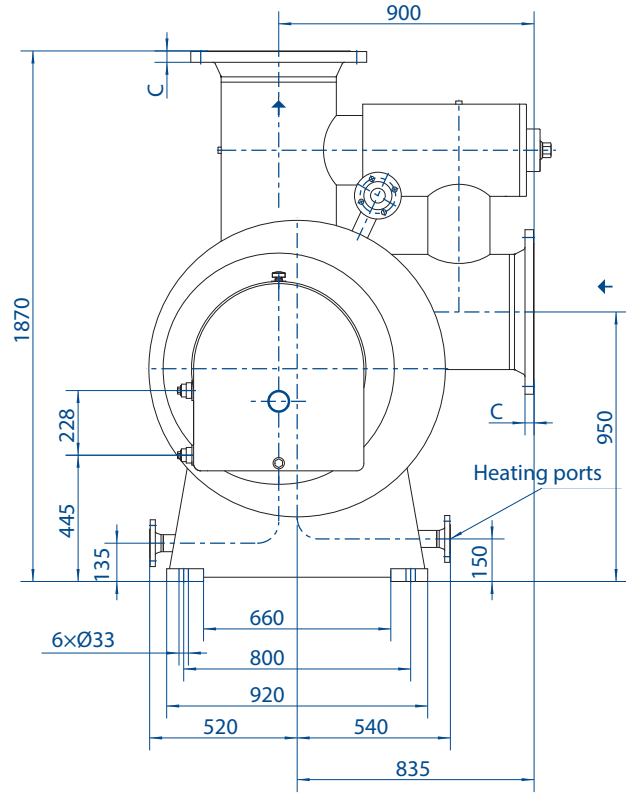
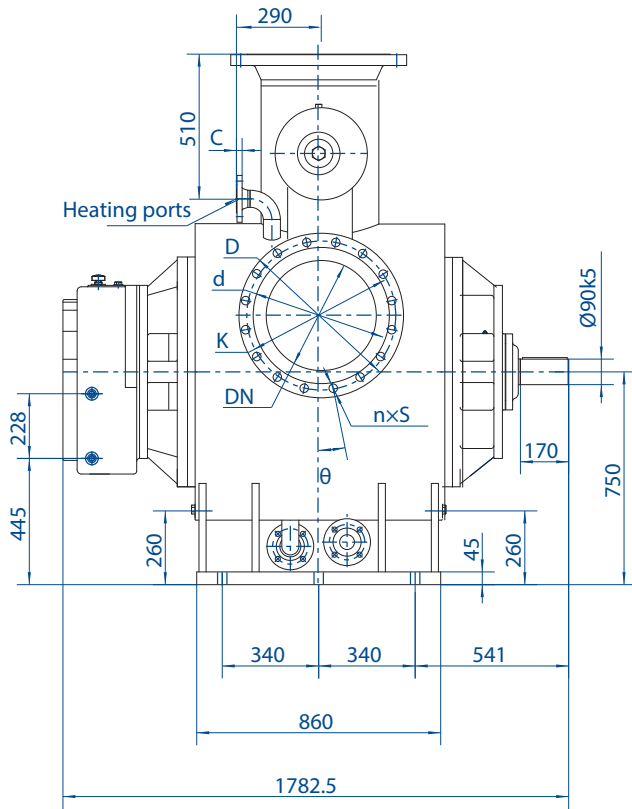
Note: Blackmer reserves the right to change the dimensions in the drawing. The dimensions in the drawing for confirmation shall prevail.

2VM

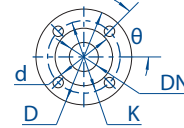


Pump model	Motor	H	H1	H2	H3	L	B	C	E	A	n	S	DN	D1	D2	D3	Z	K
280	YB112	445	725	1280	18	268	160	16.5	320	360	8	20	80	200	160	133	8	18
	YB132		726	1390														
	YB160		726	1535														
	YB180		730	1595														
560	YB132	510	777	1430	18	300	180	19.5	360	400	8	20	100	235	190	158	8	22
	YB160		782	1590														
	YB180		785	1650														
	YB160		924	1735														
800	YB180	530	927	1800	20	378	200	22	420	465	8	22	125	270	220	184	8	27
	YB200		930	1855														
	YB225		934	1875														
	YB160		995	1795														
1400	YB180	670	998	1865	23	405	230	27	475	515	8	22	150	300	250	212	8	27
	YB200		1001	1920														
	YB225		1002	1930														
	YB250		1001	2080														
2500	YB280	700	1005	2155	28	455	260	32	680	730	8	22	200	360	310	278	12	27
	YB200		1235	2165														
	YB250		1236	2300														
	YB280		1239	2460														
4200	YB315	900	1240	2550	33	566	312	40	710	760	12	26	250	425	370	335	12	30
	YB225		1476	2380														
	YB250		1479	2540														
	YB280		1479	2660														
7000	YB315	900	1480	2770	30	632	380	40	840	900	12	27	300	485	430	389	16	30
	YB250		1467	2580														
	YB280		1467	2700														
	YB315		1468	2810														
	YB355		1468	3350														

2HMB18000



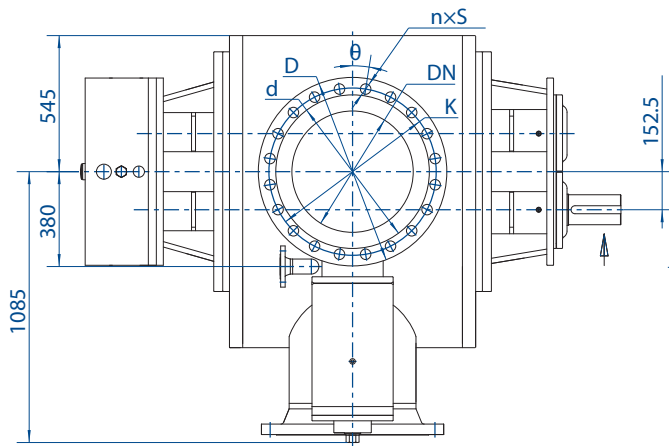
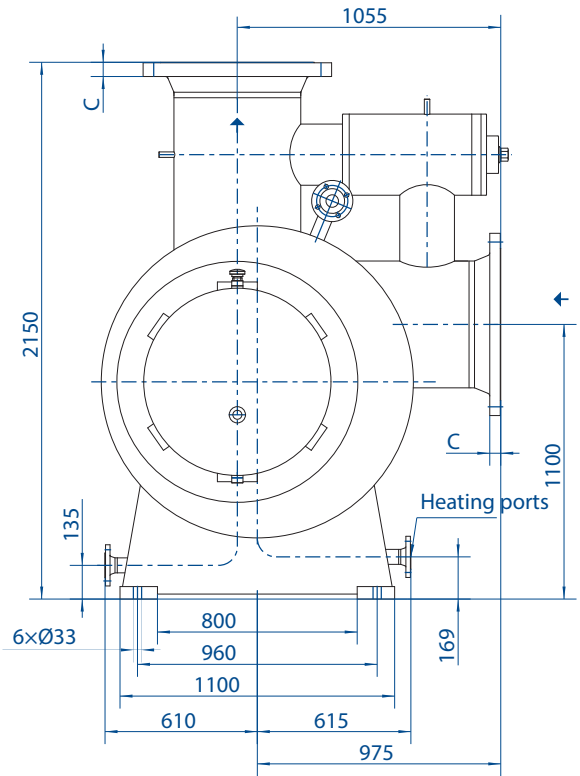
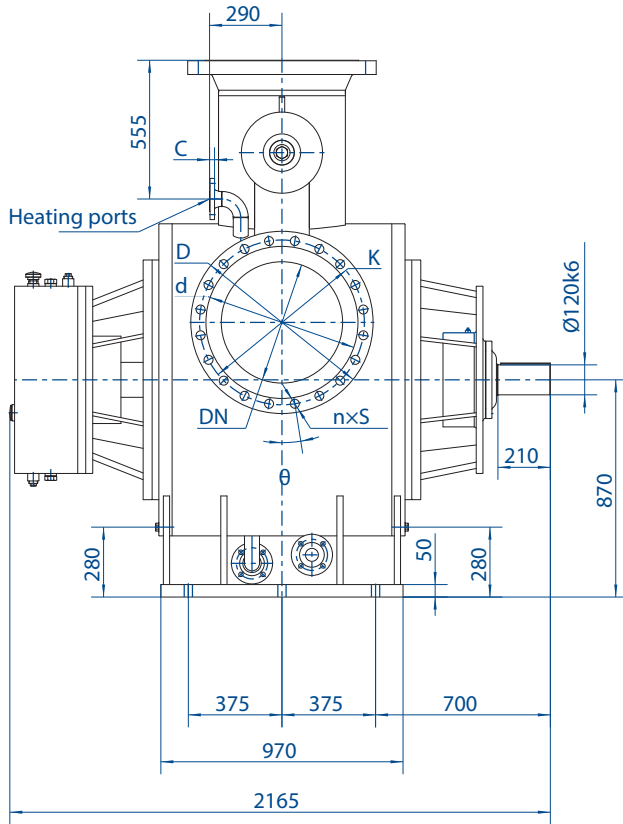
Flanges on heating ports



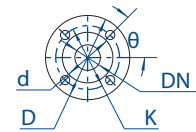
dimension	DN	D	K	d	S	n	C	θ
Flange								
Suction flange	400	580	525	480	30	16	32	11.25°
Discharge flange	400	620	550	503	36	16	40	11.25°
Heating flange	50	165	125	99	18	4	20	45°

Note: Blackmer reserves the right to change the dimensions in the drawing. The dimensions in the drawing for confirmation shall prevail.

2HMB36000



Flanges on heating ports



dimension	DN	D	K	d	S	n	C	θ
Flange								
Suction flange	500	730	660	609	36	20	44	9°
Discharge flange	500	755	670	615	42	20	40	9°
Heating flange	50	165	125	99	18	4	20	45°

Note: Blackmer reserves the right to change the dimensions in the drawing. The dimensions in the drawing for confirmation shall prevail.

Size	Power kW (HP)	Current A	Voltage V	Speed rpm	Efficiency %	Power factor cosΦ	Noise dB	Weight kg (lbs)
YB90S-6	0.75 (1.0)	2.3	380	910	72.5	0.70	65	34 (75)
YB90L-6	1.1 (1.5)	3.2	380	910	73.5	0.72	65	37 (82)
YB100L-6	1.5 (2.0)	4.0	380	940	77.5	0.74	67	43 (95)
YB112M-6	2.2 (3.0)	5.6	380	940	80.5	0.74	67	54 (119)
YB132S-6	3.0 (4.0)	7.2	380	960	83.0	0.76	71	79 (174)
YB132M1-6	4.0 (5.4)	9.4	380	960	84.0	0.77	71	90 (198)
YB132M2-6	5.5 (7.4)	12.6	380	960	85.3	0.78	71	100 (220)
YB160M-6	7.5 (10)	17.0	380	970	86.0	0.78	75	144 (317)
YB160L-6	11 (15)	24.6	380	970	87.0	0.78	75	166 (366)
YB180L-6	15 (20)	31.6	380	970	89.5	0.81	78	215 (474)
YB200L1-6	18.5 (25)	37.7	380	970	89.8	0.83	78	275 (606)
YB200L2-6	22 (29)	44.6	380	970	90.2	0.83	78	300 (661)
YB225M-6	30 (40)	59.5	380	980	90.2	0.85	81	368 (811)
YB250M-6	37 (50)	72.0	380	980	90.8	0.86	81	516 (1138)
YB280S-6	45 (60)	85.4	380	980	92.0	0.87	84	620 (1367)
YB280M-6	55 (74)	104.9	380	980	92.0	0.88	84	700 (1548)
YB315S-6	75 (101)	140.8	380	990	93.6	0.88	92	920 (2028)
YB315M-6	90 (121)	168.3	380	990	93.9	0.88	92	1100 (2425)
YB315L1-6	110 (147)	205.0	380	990	94.0	0.88	92	1100 (2646)
YB315L2-6	132 (177)	245.2	380	990	94.3	0.88	92	1200 (2646)
YB355S-6	160 (214)	295.6	380	990	94.5	0.87	98	1650 (3638)
YB355M1-6	185 (248)	341.8	380	990	94.5	0.87	98	1760 (3880)
YB355M2-6	200 (268)	368.8	380	990	94.7	0.87	98	1970 (4343)
YB355L1-6	220 (295)	404.4	380	990	95.0	0.87	101	2140 (4718)
YB355L2-6	250 (335)	459.5	380	990	95.0	0.87	101	2250 (4960)

MOTOR PARAMETERS



Size	Power kW (HP)	Current A	Voltage V	Speed rpm	Efficiency %	Power factor cosΦ	Noise dB	Weight kg (lbs)
YB801-4	0.55 (0.74)	1.5	380	1390	73.0	0.76	67	22 (49)
YB802-4	0.75 (1.0)	2.0	380	1390	74.5	0.76	67	24 (53)
YB90S-4	1.1 (1.5)	2.7	380	1400	78.0	0.78	67	33 (73)
YB90L-4	1.5 (2.0)	3.7	380	1400	79.0	0.79	67	37 (82)
YB100L1-4	2.2 (3.0)	5.0	380	1320	81.0	0.82	70	43 (95)
YB100L2-4	3.0 (4.0)	6.8	380	1420	82.5	0.81	70	47 (104)
YB112M-4	4.0 (5.4)	8.8	380	1440	84.5	0.82	74	58 (128)
YB132S-4	5.5 (7.4)	11.6	380	1440	85.5	0.84	78	80 (176)
YB132M-4	7.5 (10)	15.4	380	1440	87.0	0.85	78	95 (209)
YB160M-4	11 (15)	22.6	380	1460	88.0	0.84	82	148 (326)
YB160L-4	15 (20)	30.3	380	1460	88.5	0.85	82	166 (366)
YB180M-4	18.5 (25)	35.9	380	1470	91.0	0.86	82	210 (463)
YB180L-4	22 (29)	42.5	380	1470	91.5	0.87	82	234 (516)
YB200L-4	30 (40)	56.8	380	1470	92.2	0.87	84	320 (705)
YB225S-4	37 (50)	69.8	380	1480	91.8	0.87	84	360 (794)
YB225M-4	45 (60)	84.2	380	1480	92.3	0.88	84	368 (811)
YB250M-4	55 (74)	102.5	380	1480	92.6	0.88	86	530 (1168)
YB280S-4	75 (101)	139.7	380	1480	92.7	0.88	90	650 (1433)
YB280M-4	90 (121)	164.3	380	1480	93.5	0.89	90	780 (1720)
YB315S-4	110 (147)	200.8	380	1485	93.6	0.90	98	1000 (2205)
YB315M-4	132 (177)	239.7	380	1485	94.5	0.90	101	1100 (2425)
YB315L1-4	160 (214)	289.0	380	1485	94.5	0.90	101	1100 (2425)
YB315L2-4	200 (268)	357.3	380	1485	94.6	0.90	101	1600 (3527)
YB355L-4	185 (248)	328.7	380	1485	94.4	0.88	101	1420 (3131)
YB355S2-4	200 (268)	365.7	380	1485	94.4	0.88	101	1800 (3968)
YB355M1-4	220 (295)	401.9	380	1485	94.5	0.88	101	1820 (4012)
YB355M2-4	250 (335)	449.2	380	1485	95.0	0.89	103	1940 (4277)
YB355L1-4	280 (375)	503.1	380	1485	95.0	0.89	103	2080 (4586)
YB355L2-4	315 (422)	564.8	380	1485	95.2	0.89	103	2260 (4982)



PSG® Grand Rapids
1809 Century Avenue SW
Grand Rapids, MI 49503-1530 USA
T: +1 (616) 241-1611
F: +1 (616) 241-3752
blackmer.com

Where Innovation Flows



PSG® reserves the right to modify the information and illustrations contained in this document without prior notice. This is a non-contractual document. 05-2015

Authorized PSG Partner: