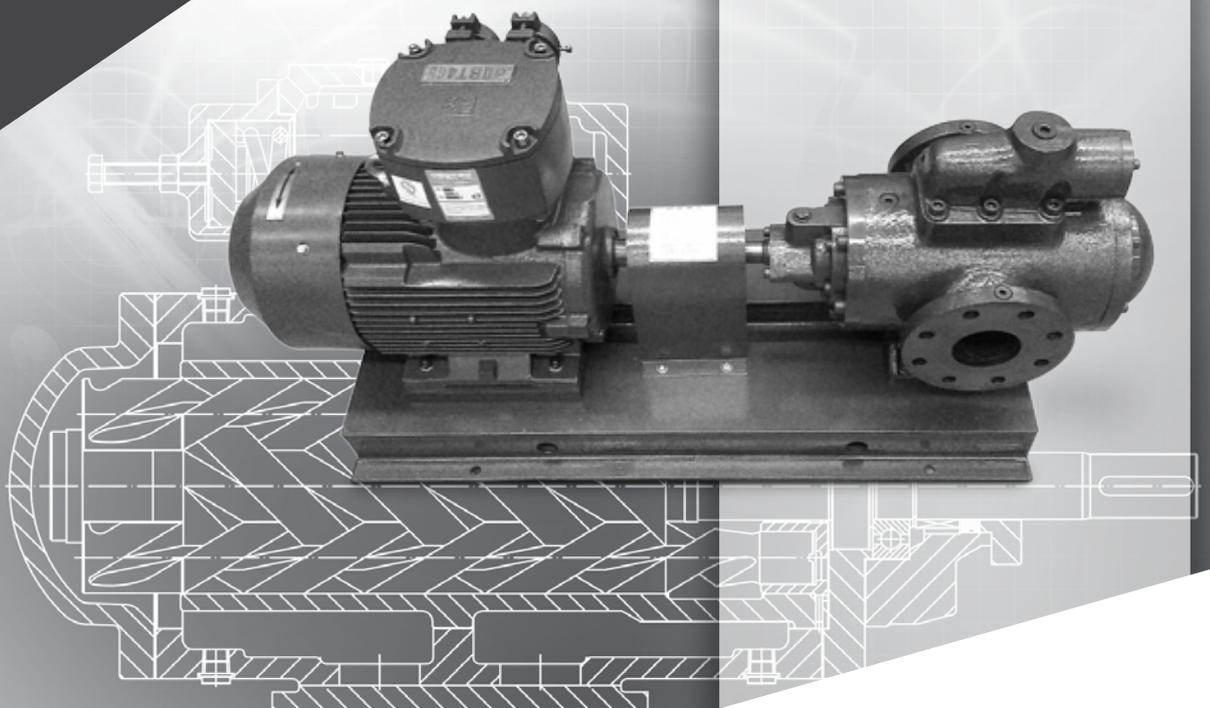


Blackmer®

Design Manual

3N SERIES
Triple-Screw Pumps



Where Innovation Flows

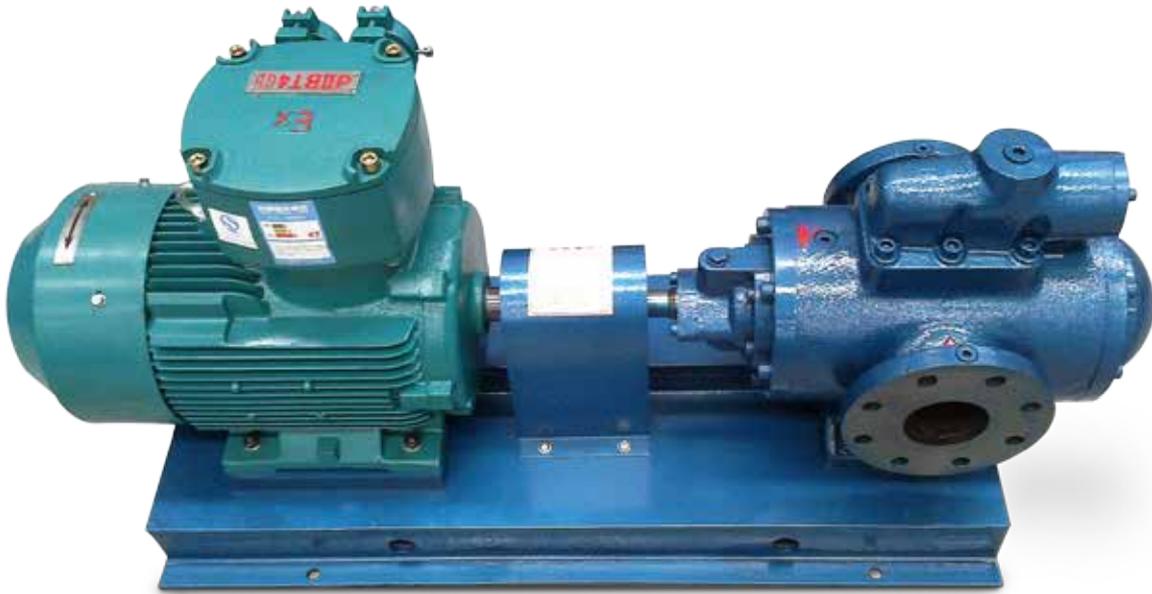
PSG
a **DOVER** company

blackmer.com

Blackmer People are Technologically Oriented



SECTION 1	SCOPE OF APPLICATION	4
SECTION 2	APPLICATIONS	4
SECTION 3	STRUCTURAL FEATURES	3
SECTION 4	PUMP MODEL AND TECHNICAL SPECIFICATIONS	
	A. Series Code	6
	B. Installation Mode	6
	C. Specification and Screw Helix Angle	6
	D. Drive Screw Orientation	7
	E. Structural Features	7
	F. Seal Structure	7
	G. Pump Body Heating Type	7
	H. Materials	7
SECTION 5	PROCESS FOR MODEL SELECTION	
	A. User-Provided Parameters	8
	B. Notes for Model Selection	8
SECTION 6	PUMP NPSH TABLE	8
SECTION 7	PERFORMANCE DATA SHEET	12
SECTION 8	PUMP DIMENSIONAL DRAWINGS	60
SECTION 9	WARRANTY	67



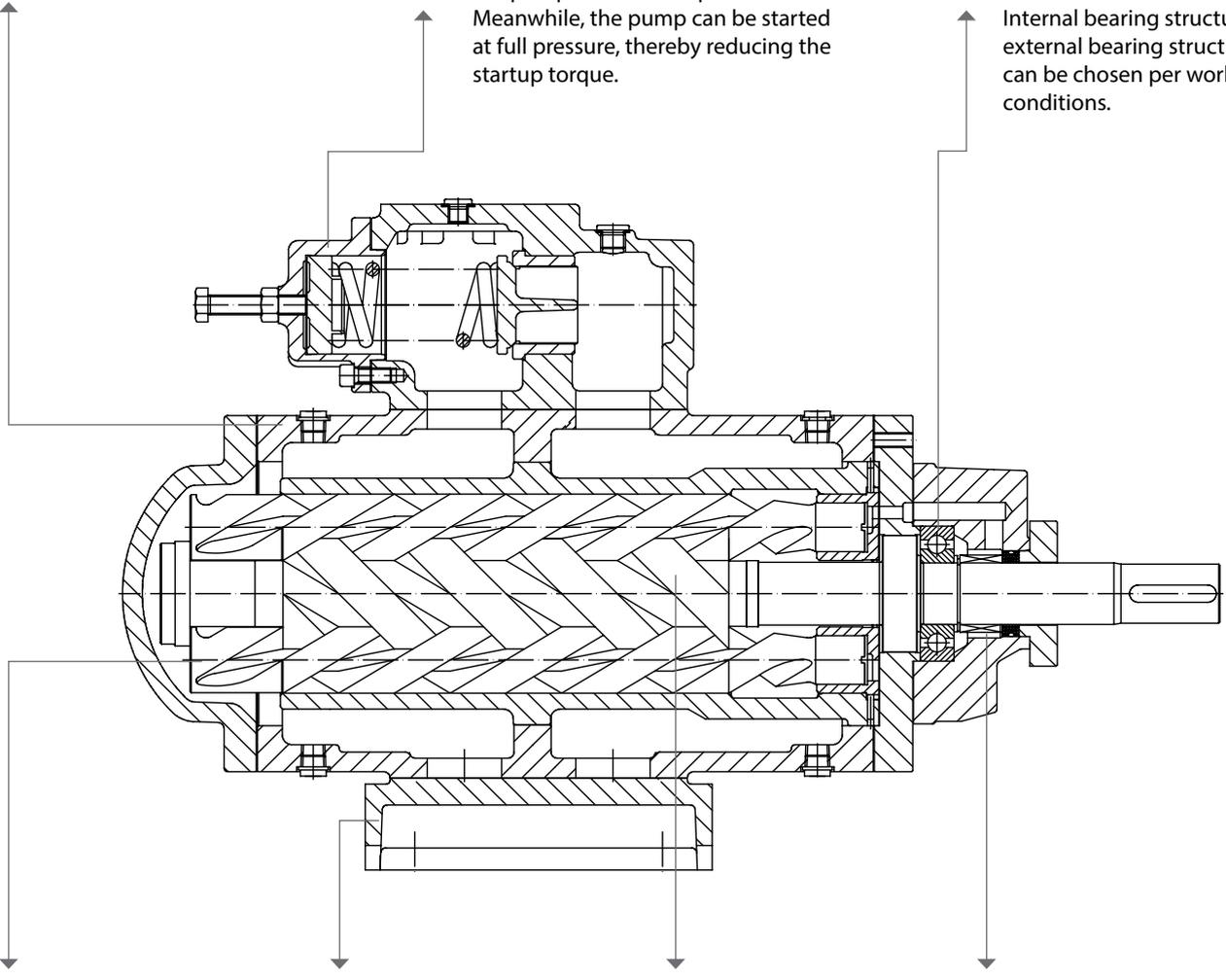
3N Series Triple-Screw Pumps are used to handle various non-corrosive lubricating liquids without solid contents.

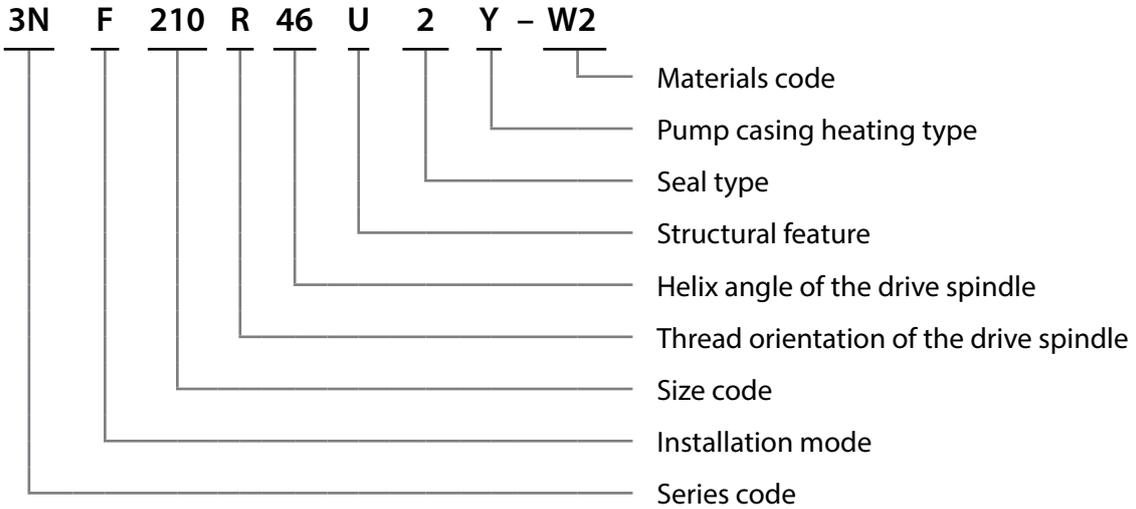
Flow rate: 10 - 2,600 L/min (2.6 - 685 gpm)	Temperature: ≤ 120°C (250°F)
Pressure: 1.0 - 40.0 Bar (14.5 - 580 psi)	*Viscosity: 3 - 5,000 mm ² /s

*At ideal speed, the viscosity can be up to 100,000 mm²/s.

Industry Application

- Petrochemical:** Handling various light, heavy fuel oils, lubricating oils and waste oils
- Machinery:** Transferring lubricating oils and liquid supply used in cooling, recycling and hydraulic stations
- Ship Building:** Transferring, boosting, purging and fueling in marine hydraulic applications
- Chemical:** Oil paints, grease, wax, glue, resin and other emulsions
- Storage:** Loading, unloading and transportation of oils in tank farms and docks
 - Food:** Honey, syrup, edible oils and other viscous materials
- Power:** Oil lubrication for hydraulic power stations and ignition oils for power plant furnaces
- Steel:** Lubricating oil used on hot rolling, cold rolling, plant production lines and hydraulic stations
- Paper:** Lubricating oil in paper manufacturing

- 
1. Welded insulation structure on the pump body is available for different temperature media needs.
 2. Uniquely constructed pressure relief valve on the pump body. In case the discharge pressure is higher than the working pressure, part of the media may flow back to the inlet of the pump for overload protection. Meanwhile, the pump can be started at full pressure, thereby reducing the startup torque.
 3. The axial force of the drive is equalized by the balance piston; minimal residue axial force is placed on the rollers (secondary shafts) allowing for a maximized shaft life. Internal bearing structure or external bearing structure can be chosen per working conditions.
 4. Secondary screws are driven by hydraulic forces. Torque from the friction of the media is transferred and applied on the surface of secondary screws; therefore, no wearing occurs on the surface. The axial forces on the secondary screws are balanced by the low-tension from the balance sleeves.
 5. Multiple installation modes are available, including horizontal, flanged, vertical, submerged, hang-up, etc.
 6. A constant sealed chamber is formed between the teeth of the drive and secondary screws to move the liquid to the discharge port with consistent speed. Therefore, there is no pulsation during transportation and no propulsion since the sealed chamber remains volumetrically constant.
 7. Multiple shaft seals are available for different media.



A. Series Code

Code	Key features	Max. flow (L/min)	Size range	Max. discharge pressure Bar
3N	Low pressure, single-suction, axial hydraulic balance	2,600	40-940	40.0

B. Installation Mode

Installation mode	H	F	S
Description	Foot installation	Flange installation	Vertical installation
Illustration			

*Flanged connections can be provided upon request; applicable for small pumps only.

C. Size and Helix Angle

The pump specification code is determined based on a pump running at 1,450 r/min, with helix angle of 46 degrees. There are 8 specification codes for 3N pumps in total.

Specification Code	40	80	120	210	280	440	660	940
Helix Angle (degrees)	38	36	42	40	43	40	40	42
	46	42	46	46	46	46	44	46
	54	46	54	54	54	52	46	50
		54				54	51	54

D. Rotation direction of the drive spindle

View from the drive end: R stands for clockwise; L stands for counter clockwise.

E. Structural Feature

Code	Structure	Applications
U	Internal bearing, multiple seal types	Media with good lubricity, working temperature below 150°C (302°F)
K	External bearing, packing seal	Media with poor lubricity, high viscosity, working temperature below ≤280°C (536°F)
E	External bearing, mechanical seal, with greasing port on bearing	Media with poor lubricity, working temperature 80-150°C (176 - 302°F)
D	External bearing, mechanical seal, without greasing port on bearing	Media with poor lubricity, working temperature below 80 °C (176°F)

F. Seal Type

Code	Description	Application
2	Packing seal	U and K structures
3	Double oil seal	U structure
4	Triple oil seal	U structure
6.7	Mechanical seal	E, D and U structure
12.1	Mechanical seal	U, D and E structure

G. Pump Body Heating Type

Code	Structure
[blank]	Standard pump body for handling lubricating liquid with good fluidity
Y	Double layer, welded pump body with steam or other hot fluid as heating media
E	Electrical heating

H. Materials

Code	Casing			Liner			Application
	GB	DIN	ANSI	GB	DIN	ANSI	
W1	HT250	GG25	Class 35B	QT450-10	GGG-45 0.1045	65-45-12	Transportation of liquids with poor lubricity and good viscosity at low pressure.
W2	HT250	GG25	Class 35B	ZL109	-	A03360/ A03361	Transportation of liquids with good lubricity and medial viscosity at low pressure.
W3	QT400-18	GGG-40	60-40-18 F32800	ZL109	-	A03360/ A03361	In special applications (e.g., marine), for transportation of liquids with good lubricity and medial viscosity at low pressure.
W5	QT400-18	GGG-40	60-40-18 F32800	QT450-10	GGG-45 0.1045	65-45-12	In special application (e.g., marine), for transportation of liquids with poor lubricity and medial viscosity at low pressure.
W21	HT250	GG25	Class 35B	ZQSn5-5-5	G-CuSn5ZnPb 2.1096.01	C83600	Transportation of liquids with poor lubricity and low viscosity at high pressure.
W23	QT400-18	GGG-40	60-40-18 F32800	ZQSn5-5-5	G-CuSn5ZnPb 2.1096.01	C83600	In special applications (e.g., marine), for transportation of liquids with poor lubricity and low viscosity at high pressure.

A. User-Provided Parameters

- Working temperature of the media, T
- Viscosity at working temperature, v
- Suction pressure (or vacuum), P1
- Discharge pressure, P2
- Working flow, Q
- Installation mode
- Any other supporting requirements

- Select proper speed based on the viscosity of the media. If media viscosity is > 760 mm²/s, please contact company for assistance.
- Select the model based on the flow and pressure from the 3N Series Triple-Screw Pump performance data sheet.
- Check and identify the NPSHr value from the cavitation redundancy sheet based on the pump specification, speed and viscosity. It must be ensured that the NPSHr < NPSHa (cavitation redundancy of the inlet piping). Otherwise, a pump with one size larger or lower speed should be selected.
- After selecting the pump, find the shaft power from the performance chart. The drive power shall be higher than the absorbed power N (kW) with the safety factor K which depends on the N value. See table below.

B. Notes for Model Selection

- Select proper structure based on the criteria of the media being pumped.

N (kW)	N <= 5	5 < N <= 10	10 < N <= 50	N > 50
K	1.25	1.2	1.15	1.1

U.S. STANDARD		50Hz																			
Size	Speed = 950 rpm							Speed = 1450 rpm							Speed = 2900 rpm						
	Viscosity (mm ² /s)																				
	3-12	20	40	75	150	380	760	3-12	20	40	75	150	380	760	3-12	20	40	75	150	380	760
NPSHr (ft)																					
40-38	6.6	6.6	6.9	7.2	7.9	8.9	10.2	6.9	7.2	7.2	7.9	8.2	9.5	10.8	6.6	6.9	7.2	7.9	8.5	10.2	12.1
40-46	6.9	6.9	7.2	7.5	8.2	9.2	10.8	7.2	7.5	7.9	8.2	8.9	10.2	11.8	7.9	8.2	8.5	9.2	10.2	12.5	15.1
40-54	13.8	13.8	14.1	14.4	15.1	16.4	18.0	14.4	14.8	15.1	15.4	16.4	17.7	19.7	16.7	17.1	17.7	18.4	19.7	23.0	
80-36	6.6	6.9	7.2	7.5	7.9	9.2	10.5	7.2	7.2	7.5	7.9	8.5	9.8	11.5	7.2	7.5	7.9	8.5	9.2	11.2	13.4
80-42	6.9	6.9	7.2	7.5	8.2	9.5	10.8	7.5	7.5	7.9	8.2	8.9	10.5	12.1	8.2	8.5	9.2	9.5	10.8	13.1	15.7
80-46	6.9	7.2	7.5	7.9	8.5	9.5	11.2	7.9	7.9	8.2	8.9	9.5	10.8	12.8	9.5	9.8	10.5	11.2	12.5	15.1	18.7
80-54	14.1	14.1	14.4	15.1	15.7	17.1	18.7	15.4	15.4	15.7	16.4	17.1	19.0	21.3	19.4	19.7	20.7	21.6			
120-42	6.9	7.2	7.5	7.9	8.2	9.5	11.2	7.5	7.9	8.2	8.5	9.2	10.8	12.5	9.2	9.2	9.8	10.5	11.8	14.4	17.7
120-46	7.2	7.2	7.5	8.2	8.5	9.8	11.5	8.2	8.2	8.5	9.2	9.8	11.5	13.4	10.5	10.8	11.5	12.5	14.1	17.1	21.6
120-54	14.4	14.4	14.8	15.4	16.1	17.4	19.4	15.7	16.1	16.4	17.1	18.0	20.0	22.6	21.6	22.3					
210-40	7.2	7.2	7.5	7.9	8.5	9.8	11.5	7.9	8.2	8.5	8.9	9.8	11.2	13.1	10.2	10.5	11.2	11.8	13.1	16.4	20.3
210-46	7.5	7.9	7.9	8.5	9.2	10.5	12.1	8.9	8.9	9.5	9.8	10.8	12.5	14.8	13.1	13.4	14.4	15.7	17.4	22.0	
210-54	14.8	15.1	15.4	15.7	16.7	18.4	20.3	16.7	17.1	17.7	18.4	19.4	22.0								
280-43	7.5	7.5	7.9	8.5	9.2	10.5	12.1	8.9	8.9	9.2	9.8	10.5	12.5	14.8	12.8	13.1	14.1	15.1	17.1	21.3	27.2
280-46	7.9	7.9	8.2	8.9	9.5	10.8	12.8	9.2	9.5	9.8	10.5	11.5	13.4	16.1	15.1	15.7	16.7	18.4	20.7		
280-54	15.1	15.4	15.7	16.4	17.1	19.0	21.3	17.7	18.0	18.7	19.4	20.7									
440-40	7.5	7.9	8.2	8.5	9.2	10.5	12.1	8.9	9.2	9.5	9.8	10.8	12.8	15.1	13.4	14.1	14.8	16.1	18.0	22.6	
440-46	8.2	8.5	8.9	9.2	9.8	11.5	13.4	10.2	10.5	10.8	11.5	12.5	15.1	18.0	19.7	20.3	21.6				
440-52	15.4	15.4	16.1	16.4	17.4	19.0	21.3	18.0	18.4	18.7	19.7	21.0									
440-54	15.7	16.1	16.4	17.1	18.0	20.0	22.6	19.0	19.4	20.0	21.0	22.6									
660-40	7.9	8.2	8.5	8.9	9.5	11.2	13.1	9.5	9.8	10.5	10.8	11.8	14.1	17.1	17.4	17.7	19.0	20.7			
660-44	8.5	8.5	8.9	9.5	10.2	11.8	14.1	10.5	10.8	11.2	12.1	13.1	15.7	18.7	21.6	22.6					
660-46	8.5	8.9	9.2	9.8	10.5	12.5	14.8	11.2	11.5	12.1	12.8	14.1	16.7	20.3							
660-51	16.1	16.1	16.7	17.4	18.0	20.3	23.0	19.4	19.7	20.7	21.6	23.0									
660-54	16.4	16.7	17.4	18.0	19.0	21.3	24.3	21.0	21.3	22.3	23.3										
940-42	8.5	8.5	8.9	9.5	10.2	12.1	14.1	10.5	10.8	11.5	12.1	13.1	15.7	19.0	22.3	23.0					
940-46	9.2	9.5	9.8	10.5	11.2	13.1	15.7	12.1	12.5	13.1	14.1	15.7	18.7	23.3							
940-50	16.4	16.7	17.1	17.7	18.7	21.0	23.9	20.7	21.0	21.6	22.6										

Blackmer reserves the right to change the data in the table without prior notice.

U.S. STANDARD

50Hz

Size	Speed = 950 rpm							Speed = 1450 rpm							Speed = 2900 rpm						
	Viscosity (mm ² /s)																				
	3-12	20	40	75	150	380	760	3-12	20	40	75	150	380	760	3-12	20	40	75	150	380	760
	NPSHr (ft)																				
940-54	17.4	17.7	18.4	19.0	20.3	23.0	26.6	23.3													

U.S. STANDARD

60Hz

Size	Speed = 1150 rpm							Speed = 1750 rpm							Speed = 3500 rpm						
	Viscosity (mm ² /s)																				
	3-12	20	40	75	150	380	760	3-12	20	40	75	150	380	760	3-12	20	40	75	150	380	760
	NPSHr (ft)																				
40-38	6.6	6.9	7.2	7.5	7.9	9.2	10.5	7.2	7.2	7.5	7.9	8.5	9.8	11.5	7.5	7.5	8.2	8.5	9.5	11.5	13.8
40-46	6.9	7.2	7.5	7.9	8.5	9.5	11.2	7.9	7.9	8.2	8.5	9.2	10.8	12.5	9.2	9.5	10.2	10.8	11.8	14.4	18.0
40-54	14.1	14.1	14.4	14.8	15.4	17.1	18.7	15.1	15.4	15.7	16.4	17.1	19.0	21.0	19.0	19.4	20.3	21.3			
80-36	6.9	6.9	7.2	7.5	8.2	9.5	10.8	7.5	7.5	7.9	8.2	8.9	10.5	12.1	8.2	8.5	8.9	9.5	10.5	12.8	15.7
80-42	7.2	7.2	7.5	7.9	8.5	9.8	11.2	7.9	8.2	8.5	8.9	9.5	11.2	12.8	9.8	10.2	10.5	11.5	12.8	15.4	19.4
80-46	7.2	7.5	7.9	8.2	8.9	10.2	11.8	8.2	8.5	8.9	9.5	10.2	11.8	14.1	11.5	11.8	12.5	13.5	15.1	18.7	23.6
80-54	14.4	14.8	15.1	15.4	16.1	17.7	19.7	16.1	16.4	16.7	17.4	18.4	20.7	23.3	23.3						
120-42	7.2	7.5	7.5	8.2	8.9	10.2	11.5	8.2	8.5	8.9	9.2	9.8	11.5	13.5	10.8	11.2	11.8	12.8	14.1	17.7	22.0
120-46	7.5	7.9	8.2	8.5	9.2	10.5	12.1	8.9	8.9	9.5	9.8	10.8	12.5	15.1	13.1	13.8	14.4	15.7	17.7	22.3	
120-54	14.8	15.1	15.4	16.1	16.7	18.4	20.3	17.1	17.1	17.7	18.4	19.4	22.0								
210-40	7.5	7.5	7.9	8.2	8.9	10.5	12.1	8.5	8.9	9.2	9.8	10.5	12.5	14.4	12.5	12.8	13.8	14.8	16.7	20.7	
210-46	7.9	8.2	8.5	8.9	9.8	11.2	13.1	9.5	9.8	10.5	11.2	12.1	14.1	17.1	17.4	18.0	19.0	20.7			
210-54	15.4	15.7	16.1	16.7	17.7	19.7	22.0	18.4	18.7	19.4	20.3	21.7									
280-43	7.9	8.2	8.5	8.9	9.5	11.2	13.1	9.5	9.8	10.2	10.8	11.8	14.1	16.7	16.7	17.4	18.7	20.0	23.0		
280-46	8.2	8.5	8.9	9.5	10.2	11.8	13.8	10.5	10.5	11.2	11.8	12.8	15.4	18.4	20.7	21.7	23.0				
280-54	16.1	16.4	16.7	17.4	18.4	20.3	23.3	19.7	20.0	20.7	21.7										
440-40	8.2	8.2	8.5	9.2	9.8	11.5	13.5	9.8	10.2	10.5	11.2	12.1	14.4	17.1	17.7	18.4	19.7	21.3			
440-46	8.9	9.2	9.5	10.2	10.8	12.8	15.1	11.5	11.8	12.5	13.5	14.8	17.7	21.7							
440-52	16.4	16.4	17.1	17.7	18.7	20.7	23.6	20.0	20.3	21.3	22.3										
440-54	17.1	17.4	17.7	18.4	19.7	22.0	25.3	22.0	22.3	23.3											
660-40	8.5	8.9	9.2	9.8	10.5	12.1	14.4	10.8	11.2	11.8	12.5	13.8	16.4	20.0							
660-44	9.2	9.5	9.8	10.5	11.2	13.1	15.7	12.1	12.5	13.1	14.1	15.4	18.7	23.0							
660-46	9.5	9.8	10.2	10.8	11.8	13.8	16.7	13.1	13.5	14.1	15.1	16.7	20.3								
660-51	17.1	17.4	18.0	18.7	20.0	22.3	25.6	22.3	23.0												
660-54	18.0	18.4	19.0	19.7	21.0	23.9															
940-42	9.2	9.5	9.8	10.5	11.5	13.5	15.7	12.5	12.8	13.5	14.1	15.7	19.0	23.3							
940-46	10.2	10.5	11.2	11.8	12.8	15.1	18.4	14.8	15.4	16.1	17.4	19.4	23.9	29.9							
940-50	17.7	18.0	18.7	19.4	20.7																
940-54	19.4	20.0	20.7	21.7	23.0																

50Hz

METRIC

Size	Speed = 950 rpm							Speed = 1450 rpm							Speed = 2900 rpm						
	Viscosity (mm ² /s)																				
	3-12	20	40	75	150	380	760	3-12	20	40	75	150	380	760	3-12	20	40	75	150	380	760
	NPSHr (m)																				
40-38	2.0	2.0	2.1	2.2	2.4	2.7	3.1	2.1	2.2	2.2	2.4	2.5	2.9	3.3	2.0	2.1	2.2	2.4	2.6	3.1	3.7
40-46	2.1	2.1	2.2	2.3	2.5	2.8	3.3	2.2	2.3	2.4	2.5	2.7	3.1	3.6	2.4	2.5	2.6	2.8	3.1	3.8	4.6
40-54	4.2	4.2	4.3	4.4	4.6	5.0	5.5	4.4	4.5	4.6	4.7	5.0	5.4	6.0	5.1	5.2	5.4	5.6	6.0	7.0	
80-36	2.0	2.1	2.2	2.3	2.4	2.8	3.2	2.2	2.2	2.3	2.4	2.6	3.0	3.5	2.2	2.3	2.4	2.6	2.8	3.4	4.1
80-42	2.1	2.1	2.2	2.3	2.5	2.9	3.3	2.3	2.3	2.4	2.5	2.7	3.2	3.7	2.5	2.6	2.8	2.9	3.3	4.0	4.8
80-46	2.1	2.2	2.3	2.4	2.6	2.9	3.4	2.4	2.4	2.5	2.7	2.9	3.3	3.9	2.9	3.0	3.2	3.4	3.8	4.6	5.7
80-54	4.3	4.3	4.4	4.6	4.8	5.2	5.7	4.7	4.7	4.8	5.0	5.2	5.8	6.5	5.9	6.0	6.3	6.6			
120-42	2.1	2.2	2.3	2.4	2.5	2.9	3.4	2.3	2.4	2.5	2.6	2.8	3.3	3.8	2.8	2.8	3.0	3.2	3.6	4.4	5.4
120-46	2.2	2.2	2.3	2.5	2.6	3.0	3.5	2.5	2.5	2.6	2.8	3.0	3.5	4.1	3.2	3.3	3.5	3.8	4.3	5.2	6.6
120-54	4.4	4.4	4.5	4.7	4.9	5.3	5.9	4.8	4.9	5.0	5.2	5.5	6.1	6.9	6.6	6.8					
210-40	2.2	2.2	2.3	2.4	2.6	3.0	3.5	2.4	2.5	2.6	2.7	3.0	3.4	4.0	3.1	3.2	3.4	3.6	4.0	5.0	6.2
210-46	2.3	2.4	2.4	2.6	2.8	3.2	3.7	2.7	2.7	2.9	3.0	3.3	3.8	4.5	4.0	4.1	4.4	4.8	5.3	6.7	
210-54	4.5	4.6	4.7	4.8	5.1	5.6	6.2	5.1	5.2	5.4	5.6	5.9	6.7								
280-43	2.3	2.3	2.4	2.6	2.8	3.2	3.7	2.7	2.7	2.8	3.0	3.2	3.8	4.5	3.9	4.0	4.3	4.6	5.2	6.5	8.3
280-46	2.4	2.4	2.5	2.7	2.9	3.3	3.9	2.8	2.9	3.0	3.2	3.5	4.1	4.9	4.6	4.8	5.1	5.6	6.3		
280-54	4.6	4.7	4.8	5.0	5.2	5.8	6.5	5.4	5.5	5.7	5.9	6.3									
440-40	2.3	2.4	2.5	2.6	2.8	3.2	3.7	2.7	2.8	2.9	3.0	3.3	3.9	4.6	4.1	4.3	4.5	4.9	5.5	6.9	
440-46	2.5	2.6	2.7	2.8	3.0	3.5	4.1	3.1	3.2	3.3	3.5	3.8	4.6	5.5	6.0	6.2	6.6				
440-52	4.7	4.7	4.9	5.0	5.3	5.8	6.5	5.5	5.6	5.7	6.0	6.4									
440-54	4.8	4.9	5.0	5.2	5.5	6.1	6.9	5.8	5.9	6.1	6.4	6.9									
660-40	2.4	2.5	2.6	2.7	2.9	3.4	4.0	2.9	3.0	3.2	3.3	3.6	4.3	5.2	5.3	5.4	5.8	6.3			
660-44	2.6	2.6	2.7	2.9	3.1	3.6	4.3	3.2	3.3	3.4	3.7	4.0	4.8	5.7	6.6	6.9					
660-46	2.6	2.7	2.8	3.0	3.2	3.8	4.5	3.4	3.5	3.7	3.9	4.3	5.1	6.2							
660-51	4.9	4.9	5.1	5.3	5.5	6.2	7.0	5.9	6.0	6.3	6.6	7.0									
660-54	5.0	5.1	5.3	5.5	5.8	6.5	7.4	6.4	6.5	6.8	7.1										
940-42	2.6	2.6	2.7	2.9	3.1	3.7	4.3	3.2	3.3	3.5	3.7	4.0	4.8	5.8	6.8	7.0					
940-46	2.8	2.9	3.0	3.2	3.4	4.0	4.8	3.7	3.8	4.0	4.3	4.8	5.7	7.1							
940-50	5.0	5.1	5.2	5.4	5.7	6.4	7.3	6.3	6.4	6.6	6.9										
940-54	5.3	5.4	5.6	5.8	6.2	7.0	8.1	7.1													

60Hz

METRIC

Size	Speed = 1150 rpm							Speed = 1750 rpm							Speed = 3500 rpm						
	Viscosity (mm ² /s)																				
	3-12	20	40	75	150	380	760	3-12	20	40	75	150	380	760	3-12	20	40	75	150	380	760
	NPSHr (m)																				
40-38	2.0	2.1	2.2	2.3	2.4	2.8	3.2	2.2	2.2	2.3	2.4	2.6	3.0	3.5	2.3	2.3	2.5	2.6	2.9	3.5	4.2
40-46	2.1	2.2	2.3	2.4	2.6	2.9	3.4	2.4	2.4	2.5	2.6	2.8	3.3	3.8	2.8	2.9	3.1	3.3	3.6	4.4	5.5
40-54	4.3	4.3	4.4	4.5	4.7	5.2	5.7	4.6	4.7	4.8	5.0	5.2	5.8	6.4	5.8	5.9	6.2	6.5	7.1	8.3	
80-36	2.1	2.1	2.2	2.3	2.5	2.9	3.3	2.3	2.3	2.4	2.5	2.7	3.2	3.7	2.5	2.6	2.7	2.9	3.2	3.9	4.8
80-42	2.2	2.2	2.3	2.4	2.6	3.0	3.4	2.4	2.5	2.6	2.7	2.9	3.4	3.9	3.0	3.1	3.2	3.5	3.9	4.7	5.9
80-46	2.2	2.3	2.4	2.5	2.7	3.1	3.6	2.5	2.6	2.7	2.9	3.1	3.6	4.3	3.5	3.6	3.8	4.1	4.6	5.7	7.2
80-54	4.4	4.5	4.6	4.7	4.9	5.4	6.0	4.9	5.0	5.1	5.3	5.6	6.3	7.1	7.1	7.3	7.7	8.1			
120-42	2.2	2.3	2.3	2.5	2.7	3.1	3.5	2.5	2.6	2.7	2.8	3.0	3.5	4.1	3.3	3.4	3.6	3.9	4.3	5.4	6.7
120-46	2.3	2.4	2.5	2.6	2.8	3.2	3.7	2.7	2.7	2.9	3.0	3.3	3.8	4.6	4.0	4.2	4.4	4.8	5.4	6.8	
120-54	4.5	4.6	4.7	4.9	5.1	5.6	6.2	5.2	5.2	5.4	5.6	5.9	6.7	7.6	8.3						
210-40	2.3	2.3	2.4	2.5	2.7	3.2	3.7	2.6	2.7	2.8	3.0	3.2	3.8	4.4	3.8	3.9	4.2	4.5	5.1	6.3	8.0
210-46	2.4	2.5	2.6	2.7	3.0	3.4	4.0	2.9	3.0	3.2	3.4	3.7	4.3	5.2	5.3	5.5	5.8	6.3	7.2		
210-54	4.7	4.8	4.9	5.1	5.4	6.0	6.7	5.6	5.7	5.9	6.2	6.6	7.5								
280-43	2.4	2.5	2.6	2.7	2.9	3.4	4.0	2.9	3.0	3.1	3.3	3.6	4.3	5.1	5.1	5.3	5.7	6.1	7.0		
280-46	2.5	2.6	2.7	2.9	3.1	3.6	4.2	3.2	3.2	3.4	3.6	3.9	4.7	5.6	6.3	6.6	7.0	7.7	8.7		
280-54	4.9	5.0	5.1	5.3	5.6	6.2	7.1	6.0	6.1	6.3	6.6	7.1	8.2								
440-40	2.5	2.5	2.6	2.8	3.0	3.5	4.1	3.0	3.1	3.2	3.4	3.7	4.4	5.2	5.4	5.6	6.0	6.5	7.4		
440-46	2.7	2.8	2.9	3.1	3.3	3.9	4.6	3.5	3.6	3.8	4.1	4.5	5.4	6.6							
440-52	5.0	5.0	5.2	5.4	5.7	6.3	7.2	6.1	6.2	6.5	6.8	7.3									
440-54	5.2	5.3	5.4	5.6	6.0	6.7	7.7	6.7	6.8	7.1	7.5	8.1									
660-40	2.6	2.7	2.8	3.0	3.2	3.7	4.4	3.3	3.4	3.6	3.8	4.2	5.0	6.1	7.4	7.7	8.3				
660-44	2.8	2.9	3.0	3.2	3.4	4.0	4.8	3.7	3.8	4.0	4.3	4.7	5.7	7.0							
660-46	2.9	3.0	3.1	3.3	3.6	4.2	5.1	4.0	4.1	4.3	4.6	5.1	6.2	7.7							
660-51	5.2	5.3	5.5	5.7	6.1	6.8	7.8	6.8	7.0	7.3	7.7	8.3									
660-54	5.5	5.6	5.8	6.0	6.4	7.3	8.5	7.5	7.7	8.1	8.6										
940-42	2.8	2.9	3.0	3.2	3.5	4.1	4.8	3.8	3.9	4.1	4.3	4.8	5.8	7.1							
940-46	3.1	3.2	3.4	3.6	3.9	4.6	5.6	4.5	4.7	4.9	5.3	5.9	7.3								
940-50	5.4	5.5	5.7	5.9	6.3	7.2	8.3	7.4	7.5	7.9	8.3										
940-54	5.9	6.1	6.3	6.6	7.0	8.1															

U.S. STANDARD

Speed n=950 r/min

Size	Pressure PSI	Viscosity (mm ² /s)																	
		3		6		12		20		40		75		150		380		760	
		Flow GPM	Power HP	Flow GPM	Power HP	Flow GPM	Power HP	Flow GPM	Power HP	Flow GPM	Power HP	Flow GPM	Power HP	Flow GPM	Power HP	Flow GPM	Power HP	Flow GPM	Power HP
40-38	72.5	4.49	0.32	4.80	0.32	5.02	0.32	5.12	0.32	5.23	0.32	5.31	0.40	5.36	0.40	5.44	0.54	5.46	0.67
	145	3.67	0.55	4.20	0.55	4.59	0.55	4.80	0.55	5.02	0.55	5.15	0.59	5.25	0.64	5.36	0.71	5.41	0.84
	217.5	2.90	0.80	3.67	0.80	4.22	0.80	4.51	0.80	4.80	0.80	4.99	0.80	5.15	0.80	5.28	0.94	5.36	1.07
	290	2.19	1.07	3.17	1.07	3.85	1.07	4.22	1.07	4.59	1.07	4.86	1.07	5.04	1.07	5.23	1.21	5.31	1.34
	362.5	1.48	1.21	2.67	1.21	3.51	1.21	3.96	1.21	4.41	1.21	4.70	1.34	4.94	1.34	5.15	1.48	5.25	1.61
	435			2.19	1.48	3.17	1.48	3.70	1.48	4.22	1.48	4.57	1.48	4.86	1.61	5.10	1.61	5.23	1.74
	507.5					2.82	1.74	3.43	1.74	4.04	1.74	4.44	1.74	4.75	1.74	5.04	1.88	5.17	2.01
580					2.51	2.01	3.19	2.01	3.88	2.01	4.30	2.01	4.67	2.01	4.99	2.15	5.15	2.28	
40-46	72.5	5.97	0.40	6.36	0.40	6.65	0.40	6.81	0.40	6.97	0.40	7.08	0.40	7.15	0.54	7.23	0.54	7.26	0.67
	145	4.86	0.67	5.57	0.67	6.10	0.67	6.39	0.67	6.68	0.67	6.86	0.80	7.00	0.80	7.13	0.94	7.21	0.94
	217.5	3.83	1.07	4.86	1.07	5.60	1.07	5.99	1.07	6.39	1.07	6.65	1.07	6.86	1.07	7.05	1.21	7.13	1.34
	290	2.82	1.34	4.17	1.34	5.10	1.34	5.60	1.34	6.12	1.34	6.44	1.34	6.71	1.48	6.94	1.48	7.08	1.61
	362.5			3.48	1.61	4.62	1.61	5.23	1.61	5.86	1.61	6.26	1.61	6.57	1.74	6.86	1.88	7.02	1.88
	435					4.17	2.01	4.88	2.01	5.60	2.01	6.07	2.01	6.44	2.01	6.78	2.15	6.94	2.28
	507.5							4.54	2.28	5.36	2.28	5.91	2.28	6.34	2.41	6.71	2.41	6.89	2.55
580									5.12	2.55	5.73	2.55	6.20	2.68	6.63	2.82	6.84	2.82	
40-54	72.5	7.66	0.54	8.32	0.54	8.76	0.54	9.03	0.54	9.27	0.54	9.45	0.54	9.56	0.54	9.69	0.67	9.74	0.80
	145	5.86	0.94	7.05	0.94	7.87	0.94	8.34	0.94	8.79	0.94	9.08	0.94	9.32	0.94	9.53	1.07	9.64	1.21
	217.5	4.22	1.34	5.89	1.34	7.05	1.34	7.68	1.34	8.34	1.34	8.74	1.34	9.08	1.48	9.37	1.48	9.53	1.61
	290					6.26	1.74	7.08	1.74	7.89	1.74	8.45	1.74	8.87	1.88	9.24	1.88	9.42	2.01
	362.5							6.49	2.15	7.50	2.15	8.13	2.15	8.66	2.28	9.11	2.41	9.35	2.41
	435									7.08	2.55	7.84	2.55	8.45	2.68	8.98	2.82	9.24	2.95
	507.5									6.71	2.95	7.55	3.08	8.24	3.08	8.84	3.22	9.16	3.35
580											7.29	3.49	8.05	3.49	8.74	3.62	9.06	3.75	
80-36	72.5	8.40	0.54	8.90	0.54	9.24	0.54	9.42	0.54	9.61	0.54	9.72	0.54	9.82	0.67	9.90	0.80	9.95	0.94
	145	7.08	0.94	7.95	0.94	8.55	0.94	8.90	0.94	9.24	0.94	9.45	1.07	9.64	1.07	9.79	1.21	9.87	1.34
	217.5	5.83	1.34	7.08	1.34	7.95	1.34	8.42	1.34	8.90	1.34	9.21	1.48	9.45	1.48	9.69	1.61	9.79	1.74
	290	4.67	1.88	6.26	1.88	7.37	1.88	7.97	1.88	8.58	1.88	8.98	1.88	9.29	1.88	9.58	2.01	9.72	2.28
	362.5	3.56	2.28	5.46	2.28	6.81	2.28	7.55	2.28	8.29	2.28	8.76	2.28	9.13	2.41	9.48	2.55	9.64	2.68
	435			4.70	2.68	6.26	2.68	7.13	2.68	7.97	2.68	8.53	2.68	8.98	2.82	9.37	2.95	9.58	3.08
	507.5			3.93	3.08	5.73	3.08	6.71	3.08	7.68	3.08	8.32	3.08	8.84	3.22	9.29	3.35	9.50	3.49
580					5.20	3.49	6.31	3.49	7.39	3.49	8.13	3.62	8.69	3.62	9.19	3.75	9.45	3.89	
80-42	72.5	9.95	0.67	10.61	0.67	11.09	0.67	11.33	0.67	11.59	0.67	11.75	0.67	11.88	0.80	12.01	0.94	12.06	1.07
	145	8.13	1.21	9.32	1.21	10.16	1.21	10.64	1.21	11.09	1.21	11.40	1.21	11.64	1.21	11.85	1.34	11.96	1.61
	217.5	6.44	1.61	8.13	1.61	9.32	1.61	9.98	1.61	10.64	1.61	11.06	1.74	11.40	1.74	11.70	1.88	11.85	2.01
	290	4.83	2.15	7.00	2.15	8.53	2.15	9.35	2.15	10.19	2.15	10.74	2.28	11.17	2.28	11.56	2.41	11.75	2.55
	362.5			5.91	2.68	7.76	2.68	8.76	2.68	9.77	2.68	10.43	2.82	10.96	2.82	11.43	2.95	11.64	3.08
	435					7.00	3.22	8.18	3.22	9.37	3.22	10.14	3.22	10.74	3.35	11.30	3.49	11.56	3.62
	507.5					6.28	3.75	7.60	3.75	8.95	3.75	9.85	3.75	10.53	3.89	11.17	4.02	11.46	4.16
580							7.08	4.29	8.58	4.29	9.56	4.29	10.32	4.43	11.04	4.56	11.38	4.69	
80-46	72.5	12.09	0.67	12.75	0.67	13.23	0.67	13.49	0.67	13.75	0.67	13.91	0.80	14.04	0.80	14.18	0.94	14.23	1.07
	145	10.27	1.34	11.48	1.34	12.33	1.34	12.78	1.34	13.25	1.34	13.54	1.34	13.78	1.48	13.99	1.61	14.10	1.74
	217.5	8.58	2.01	10.27	2.01	11.48	2.01	12.12	2.01	12.78	2.01	13.20	2.01	13.54	2.01	13.86	2.15	13.99	2.41
	290	7.00	2.55	9.16	2.55	10.69	2.55	11.51	2.55	12.36	2.55	12.88	2.55	13.33	2.68	13.70	2.82	13.91	2.95
	362.5			8.05	3.22	9.90	3.22	10.90	3.22	11.93	3.22	12.59	3.22	13.09	3.22	13.57	3.35	13.81	3.62
	435					9.16	3.75	10.32	3.75	11.51	3.75	12.28	3.75	12.88	3.89	13.44	4.02	13.70	4.16
	507.5					8.42	4.43	9.77	4.43	11.11	4.43	11.99	4.43	12.70	4.43	13.31	4.69	13.62	4.83
580									10.72	4.96	11.70	5.10	12.49	5.10	13.17	5.23	13.54	5.36	
80-54	72.5	15.39	0.94	16.47	0.94	17.21	0.94	17.64	0.94	18.03	0.94	18.32	0.94	18.53	1.07	18.72	1.21	18.80	1.34
	145	12.49	1.74	14.41	1.74	15.76	1.74	16.50	1.74	17.24	1.74	17.71	1.74	18.11	1.88	18.45	2.01	18.61	2.15
	217.5	9.79	2.55	12.51	2.55	14.41	2.55	15.44	2.55	16.50	2.55	17.19	2.55	17.74	2.68	18.22	2.82	18.45	2.95
	290					13.15	3.35	14.47	3.35	15.81	3.35	16.68	3.35	17.37	3.49	17.98	3.62	18.30	3.75
	362.5							13.52	4.16	15.13	4.16	16.18	4.16	17.03	4.29	17.77	4.43	18.14	4.56
	435									14.47	4.96	15.71	4.96	16.68	5.10	17.56	5.23	17.98	5.36
	507.5									13.83	5.77	15.23	5.77	16.34	5.90	17.34	6.03	17.85	6.17
580											14.78	6.57	16.02	6.71	17.13	6.84	17.69	6.97	
120-42	72.5	14.34	0.94	15.21	0.94	15.81	0.94	16.13	0.94	16.47	0.94	16.68	1.07	16.87	1.07	17.00	1.34	17.08	1.61
	145	11.99	1.61	13.54	1.61	14.63	1.61	15.23	1.61	15.84	1.61	16.21	1.74	16.53	1.88	16.82	2.15	16.95	2.41
	217.5	9.82	2.41	12.01	2.41	13.54	2.41	14.39	2.41	15.23	2.41	15.79	2.41	16.21	2.55	16.61	2.82	16.82	3.08
	290	7.76	3.08	10.53	3.08	12.51	3.08	13.60	3.08	14.68	3.08	15.36	3.22	15.92	3.35	16.42	3.62	16.68	3.89
	362.5			9.13	3.89	11.51	3.89	12.83	3.89	14.12	3.89	14.97	3.89	15.66	4.02	16.26	4.29	16.55	4.56
	435					10.56	4.56	12.06	4.56	13.60	4.56	14.60	4.69	15.36	4.83	16.08	4.96	16.42	5.23
	507.5					9.61	5.36	11.35	5.36	13.07	5.36	14.20	5.36	15.10	5.50	15.92	5.77	16.32	6.03
580							10.64	6.03	12.57	6.03	13.83	6.17	14.84	6.30	15.76	6.44	16.18	6.71	

Values in the grey area of the table are not recommended. Blackmer reserves the right to change the data in the table without prior notice.

Speed n=950 r/min

METRIC

Size	Pressure ΔP Bar	Viscosity (mm ² /s)																	
		3		6		12		20		40		75		150		380		760	
		Flow L/min	Power kW	Flow L/min	Power kW	Flow L/min	Power kW	Flow L/min	Power kW	Flow L/min	Power kW	Flow L/min	Power kW	Flow L/min	Power kW	Flow L/min	Power kW	Flow L/min	Power kW
40-38	5.0	17	0.24	18.2	0.24	19	0.24	19.4	0.24	19.8	0.24	20.1	0.3	20.3	0.3	20.6	0.4	20.7	0.5
	10.0	13.9	0.41	15.9	0.41	17.4	0.41	18.2	0.41	19	0.41	19.5	0.44	19.9	0.48	20.3	0.53	20.5	0.63
	15.0	11	0.6	13.9	0.6	16	0.6	17.1	0.6	18.2	0.6	18.9	0.6	19.5	0.6	20	0.7	20.3	0.8
	20.0	8.29	0.8	12	0.8	14.6	0.8	16	0.8	17.4	0.8	18.4	0.8	19.1	0.8	19.8	0.91	20.1	1.01
	25.0	5.6	0.91	10.1	0.91	13.3	0.91	15	0.91	16.7	0.91	17.8	1.01	18.7	1.01	19.5	1.11	19.9	1.21
	30.0			8.29	1.11	12	1.11	14	1.11	16	1.11	17.3	1.11	18.4	1.21	19.3	1.21	19.8	1.31
	35.0					10.7	1.31	13	1.31	15.3	1.31	16.8	1.31	18	1.31	19.1	1.41	19.6	1.51
	40.0					9.49	1.51	12.1	1.51	14.7	1.51	16.3	1.51	17.7	1.51	18.9	1.61	19.5	1.71
40-46	5.0	22.6	0.3	24.1	0.3	25.2	0.3	25.8	0.3	26.4	0.3	26.8	0.3	27.1	0.4	27.4	0.4	27.5	0.5
	10.0	18.4	0.5	21.1	0.5	23.1	0.5	24.2	0.5	25.3	0.5	26	0.6	26.5	0.6	27	0.7	27.3	0.7
	15.0	14.5	0.8	18.4	0.8	21.2	0.8	22.7	0.8	24.2	0.8	25.2	0.8	26	0.8	26.7	0.91	27	1.01
	20.0	10.7	1.01	15.8	1.01	19.3	1.01	21.2	1.01	23.2	1.01	24.4	1.01	25.4	1.11	26.3	1.11	26.8	1.21
	25.0			13.2	1.21	17.5	1.21	19.8	1.21	22.2	1.21	23.7	1.21	24.9	1.31	26	1.41	26.6	1.41
	30.0					15.8	1.51	18.5	1.51	21.2	1.51	23	1.51	24.4	1.51	25.7	1.61	26.3	1.71
	35.0							17.2	1.71	20.3	1.71	22.4	1.71	24	1.81	25.4	1.81	26.1	1.91
	40.0									19.4	1.91	21.7	1.91	23.5	2.01	25.1	2.11	25.9	2.11
40-54	5.0	29	0.4	31.5	0.4	33.2	0.4	34.2	0.4	35.1	0.4	35.8	0.4	36.2	0.4	36.7	0.5	36.9	0.6
	10.0	22.2	0.7	26.7	0.7	29.8	0.7	31.6	0.7	33.3	0.7	34.4	0.7	35.3	0.7	36.1	0.8	36.5	0.91
	15.0	16	1.01	22.3	1.01	26.7	1.01	29.1	1.01	31.6	1.01	33.1	1.01	34.4	1.11	35.5	1.11	36.1	1.21
	20.0					23.7	1.31	26.8	1.31	29.9	1.31	32	1.31	33.6	1.41	35	1.41	35.7	1.51
	25.0							24.6	1.61	28.4	1.61	30.8	1.61	32.8	1.71	34.5	1.81	35.4	1.81
	30.0									26.8	1.91	29.7	2.01	32	2.01	34	2.11	35	2.21
	35.0									25.4	2.21	28.6	2.31	31.2	2.31	33.5	2.41	34.7	2.51
	40.0											27.6	2.61	30.5	2.61	33.1	2.72	34.3	2.82
80-36	5.0	31.8	0.4	33.7	0.4	35	0.4	35.7	0.4	36.4	0.4	36.8	0.4	37.2	0.5	37.5	0.6	37.7	0.7
	10.0	26.8	0.7	30.1	0.7	32.4	0.7	33.7	0.7	35	0.7	35.8	0.8	36.5	0.8	37.1	0.91	37.4	1.01
	15.0	22.1	1.01	26.8	1.01	30.1	1.01	31.9	1.01	33.7	1.01	34.9	1.11	35.8	1.11	36.7	1.21	37.1	1.31
	20.0	17.7	1.41	23.7	1.41	27.9	1.41	30.2	1.41	32.5	1.41	34	1.41	35.2	1.41	36.3	1.51	36.8	1.71
	25.0	13.5	1.71	20.7	1.71	25.8	1.71	28.6	1.71	31.4	1.71	33.2	1.71	34.6	1.81	35.9	1.91	36.5	2.01
	30.0			17.8	2.01	23.7	2.01	27	2.01	30.2	2.01	32.3	2.01	34	2.11	35.5	2.21	36.3	2.31
	35.0			14.9	2.31	21.7	2.31	25.4	2.31	29.1	2.31	31.5	2.31	33.5	2.41	35.2	2.51	36	2.61
	40.0					19.7	2.61	23.9	2.61	28	2.61	30.8	2.72	32.9	2.72	34.8	2.82	35.8	2.92
80-42	5.0	37.7	0.5	40.2	0.5	42	0.5	42.9	0.5	43.9	0.5	44.5	0.5	45	0.6	45.5	0.7	45.7	0.8
	10.0	30.8	0.91	35.3	0.91	38.5	0.91	40.3	0.91	42	0.91	43.2	0.91	44.1	0.91	44.9	1.01	45.3	1.21
	15.0	24.4	1.21	30.8	1.21	35.3	1.21	37.8	1.21	40.3	1.21	41.9	1.31	43.2	1.31	44.3	1.41	44.9	1.51
	20.0	18.3	1.61	26.5	1.61	32.3	1.61	35.4	1.61	38.6	1.61	40.7	1.71	42.3	1.71	43.8	1.81	44.5	1.91
	25.0			22.4	2.01	29.4	2.01	33.2	2.01	37	2.01	39.5	2.11	41.5	2.11	43.3	2.21	44.1	2.31
	30.0					26.5	2.41	31	2.41	35.5	2.41	38.4	2.41	40.7	2.51	42.8	2.61	43.8	2.72
	35.0					23.8	2.82	28.8	2.82	33.9	2.82	37.3	2.82	39.9	2.92	42.3	3.02	43.4	3.12
	40.0							26.8	3.22	32.5	3.22	36.2	3.22	39.1	3.32	41.8	3.42	43.1	3.52
80-46	5.0	45.8	0.5	48.3	0.5	50.1	0.5	51.1	0.5	52.1	0.5	52.7	0.6	53.2	0.6	53.7	0.7	53.9	0.8
	10.0	38.9	1.01	43.5	1.01	46.7	1.01	48.4	1.01	50.2	1.01	51.3	1.01	52.2	1.11	53	1.21	53.4	1.31
	15.0	32.5	1.51	38.9	1.51	43.5	1.51	45.9	1.51	48.4	1.51	50	1.51	51.3	1.51	52.5	1.61	53	1.81
	20.0	26.5	1.91	34.7	1.91	40.5	1.91	43.6	1.91	46.8	1.91	48.8	1.91	50.5	2.01	51.9	2.11	52.7	2.21
	25.0			30.5	2.41	37.5	2.41	41.3	2.41	45.2	2.41	47.7	2.41	49.6	2.41	51.4	2.51	52.3	2.72
	30.0					34.7	2.82	39.1	2.82	43.6	2.82	46.5	2.82	48.8	2.92	50.9	3.02	51.9	3.12
	35.0					31.9	3.32	37	3.32	42.1	3.32	45.4	3.32	48.1	3.32	50.4	3.52	51.6	3.62
	40.0							40.6	3.72	44.3	3.72	47.3	3.82	47.3	3.82	49.9	3.92	51.3	4.02
80-54	5.0	58.3	0.7	62.4	0.7	65.2	0.7	66.8	0.7	68.3	0.7	69.4	0.7	70.2	0.8	70.9	0.91	71.2	1.01
	10.0	47.3	1.31	54.6	1.31	59.7	1.31	62.5	1.31	65.3	1.31	67.1	1.31	68.6	1.41	69.9	1.51	70.5	1.61
	15.0	37.1	1.91	47.4	1.91	54.6	1.91	58.5	1.91	62.5	1.91	65.1	1.91	67.2	2.01	69	2.11	69.9	2.21
	20.0					49.8	2.51	54.8	2.51	59.9	2.51	63.2	2.51	65.8	2.61	68.1	2.72	69.3	2.82
	25.0							51.2	3.12	57.3	3.12	61.3	3.12	64.5	3.22	67.3	3.32	68.7	3.42
	30.0									54.8	3.72	59.5	3.72	63.2	3.82	66.5	3.92	68.1	4.02
	35.0									52.4	4.32	57.7	4.32	61.9	4.43	65.7	4.53	67.6	4.63
	40.0											56	4.93	60.7	5.03	64.9	5.13	67	5.23
120-42	5.0	54.3	0.7	57.6	0.7	59.9	0.7	61.1	0.7	62.4	0.7	63.2	0.8	63.9	0.8	64.4	1.01	64.7	1.21
	10.0	45.4	1.21	51.3	1.21	55.4	1.21	57.7	1.21	60	1.21	61.4	1.31	62.6	1.41	63.7	1.61	64.2	1.81
	15.0	37.2	1.81	45.5	1.81	51.3	1.81	54.5	1.81	57.7	1.81	59.8	1.81	61.4	1.91	62.9	2.11	63.7	2.31
	20.0	29.4	2.31	39.9	2.31	47.4	2.31	51.5	2.31	55.6	2.31	58.2	2.41	60.3	2.51	62.2	2.72	63.2	2.92
	25.0			34.6	2.92	43.6	2.92	48.6	2.92	53.5	2.92	56.7	2.92	59.3	3.02	61.6	3.22	62.7	3.42
	30.0					40	3.42	45.7	3.42	51.5	3.42	55.3	3.52	58.2	3.62	60.9	3.72	62.2	3.92
	35.0					36.4	4.02	43	4.02	49.5	4.02	53.8	4.02	57.2	4.12	60.3	4.32	61.8	4.53
	40.0							40.3	4.53	47.6	4.53	52.4	4.63	56.2	4.73	59.7	4.83	61.3	5.03

U.S. STANDARD		Speed n=950 r/min																		
Size	Pressure PSI	Viscosity (mm ² /s)																		
		3		6		12		20		40		75		150		380		760		
		Flow GPM	Power HP	Flow GPM	Power HP	Flow GPM	Power HP	Flow GPM	Power HP	Flow GPM	Power HP	Flow GPM	Power HP	Flow GPM	Power HP	Flow GPM	Power HP	Flow GPM	Power HP	
120-46	72.5	17.53	1.07	18.37	1.07	18.98	1.07	19.32	1.07	19.64	1.07	19.88	1.21	20.04	1.21	20.20	1.48	20.28	1.74	
	145	15.18	1.88	16.71	1.88	17.82	1.88	18.40	1.88	19.01	1.88	19.40	2.01	19.72	2.15	19.98	2.41	20.12	2.68	
	217.5	13.02	2.82	15.18	2.82	16.74	2.82	17.58	2.82	18.43	2.82	18.96	2.82	19.40	2.95	19.80	3.22	19.98	3.49	
	290	10.93	3.62	13.73	3.62	15.71	3.62	16.76	3.62	17.85	3.62	18.56	3.75	19.11	3.89	19.62	4.16	19.85	4.43	
	362.5			12.33	4.56	14.70	4.56	16.00	4.56	17.29	4.56	18.16	4.56	18.82	4.69	19.43	4.96	19.72	5.23	
	435					13.73	5.36	15.26	5.36	16.76	5.36	17.77	5.50	18.56	5.63	19.27	5.90	19.62	6.03	6.30
	507.5							14.52	6.30	16.26	6.30	17.40	6.30	18.30	6.44	19.09	6.71	19.48	6.97	7.24
580									15.76	7.11	17.03	7.24	18.03	7.38	18.93	7.51	19.38	7.78	8.05	
120-54	72.5	22.60	1.34	23.97	1.34	24.92	1.34	25.45	1.34	25.98	1.34	26.35	1.48	26.61	1.61	26.85	1.74	26.98	2.01	
	145	18.82	2.55	21.30	2.55	23.05	2.55	24.00	2.55	24.95	2.55	25.58	2.55	26.08	2.68	26.53	2.95	26.74	3.22	
	217.5	15.34	3.62	18.85	3.62	21.30	3.62	22.65	3.62	24.00	3.62	24.90	3.75	25.58	3.89	26.22	4.16	26.53	4.43	
	290					19.67	4.83	21.38	4.83	23.10	4.83	24.24	4.96	25.13	4.96	25.92	5.23	26.32	5.50	
	362.5							20.14	6.03	22.23	6.03	23.60	6.03	24.68	6.17	25.63	6.44	26.11	6.71	
	435									21.38	7.11	22.97	7.24	24.24	7.38	25.37	7.51	25.92	7.78	8.05
	507.5									20.57	8.31	22.36	8.31	23.81	8.45	25.11	8.72	25.74	8.98	9.25
580											21.78	9.52	23.39	9.66	24.84	9.92	25.56	10.19	10.46	
210-40	72.5	25.87	1.61	26.85	1.61	27.54	1.61	27.90	1.61	28.30	1.61	28.54	1.74	28.72	1.88	28.91	2.28	28.99	2.68	
	145	23.21	2.82	24.97	2.82	26.22	2.82	26.88	2.82	27.56	2.82	28.01	2.95	28.35	3.08	28.67	3.49	28.83	3.89	
	217.5	20.75	4.02	23.21	4.02	24.97	4.02	25.92	4.02	26.88	4.02	27.51	4.16	28.01	4.29	28.46	4.69	28.67	5.10	
	290	18.40	5.23	21.57	5.23	23.79	5.23	25.03	5.23	26.24	5.23	27.03	5.36	27.67	5.63	28.25	5.90	28.51	6.30	
	362.5	16.13	6.44	19.96	6.44	22.68	6.44	24.13	6.44	25.63	6.44	26.58	6.57	27.35	6.84	28.04	7.11	28.38	7.64	
	435			18.43	7.78	21.57	7.78	23.28	7.78	25.03	7.78	26.16	7.91	27.03	8.05	27.85	8.45	28.25	8.85	
	507.5					20.51	8.98	22.47	8.98	24.45	8.98	25.71	9.12	26.74	9.25	27.67	9.66	28.12	10.06	
580							21.65	10.19	23.87	10.19	25.32	10.33	26.45	10.46	27.48	10.86	27.98	11.26		
210-46	72.5	32.13	1.88	33.45	1.88	34.40	1.88	34.90	1.88	35.43	1.88	35.77	2.01	36.04	2.15	36.27	2.55	36.38	2.95	
	145	28.49	3.49	30.89	3.49	32.58	3.49	33.50	3.49	34.43	3.49	35.03	3.49	35.51	3.75	35.93	4.16	36.14	4.56	
	217.5	25.11	4.96	28.51	4.96	30.89	4.96	32.21	4.96	33.50	4.96	34.35	5.10	35.03	5.23	35.64	5.63	35.93	6.03	
	290	21.91	6.57	26.24	6.57	29.30	6.57	30.97	6.57	32.63	6.57	33.71	6.71	34.58	6.84	35.35	7.24	35.75	7.64	
	362.5			24.05	8.05	27.75	8.05	29.75	8.05	31.79	8.05	33.11	8.18	34.14	8.45	35.09	8.72	35.56	9.12	
	435					26.27	9.66	28.62	9.66	30.97	9.66	32.50	9.79	33.71	9.92	34.82	10.33	35.35	10.73	
	507.5							27.48	11.13	30.18	11.13	31.92	11.26	33.32	11.53	34.56	11.80	35.16	12.34	
580									29.38	12.74	31.36	12.87	32.92	13.01	34.29	13.41	35.01	13.81		
210-54	72.5	41.63	2.41	43.74	2.41	45.25	2.41	46.07	2.41	46.91	2.41	47.44	2.55	47.86	2.68	48.26	3.08	48.44	3.49	
	145	35.80	4.43	39.63	4.43	42.35	4.43	43.82	4.43	45.30	4.43	46.28	4.56	47.04	4.83	47.73	5.10	48.07	5.50	
	217.5	30.41	6.57	35.82	6.57	39.65	6.57	41.74	6.57	43.82	6.57	45.20	6.71	46.28	6.84	47.26	7.24	47.73	7.64	
	290					37.09	8.58	39.76	8.58	42.42	8.58	44.17	8.72	45.57	8.85	46.81	9.25	47.41	9.66	
	362.5							37.83	10.73	41.08	10.73	43.19	10.73	44.85	11.00	46.36	11.40	47.10	11.80	
	435									39.76	12.74	42.24	12.87	44.17	13.01	45.94	13.41	46.81	13.81	
	507.5									38.49	14.75	41.29	14.89	43.53	15.15	45.51	15.42	46.52	15.96	
580											40.39	17.03	42.87	17.16	45.12	17.57	46.23	17.97		
280-43	72.5	37.33	2.28	38.94	2.28	40.08	2.28	40.71	2.28	41.32	2.28	41.74	2.55	42.06	2.82	42.35	3.35	42.48	3.89	
	145	32.92	4.16	35.82	4.16	37.88	4.16	38.99	4.16	40.13	4.16	40.84	4.29	41.42	4.56	41.95	5.10	42.21	5.77	
	217.5	28.86	5.90	32.95	5.90	35.85	5.90	37.41	5.90	38.99	5.90	40.05	6.17	40.87	6.44	41.58	6.97	41.95	7.51	
	290	24.97	7.78	30.20	7.78	33.90	7.78	35.93	7.78	37.94	7.78	39.26	7.91	40.31	8.18	41.24	8.72	41.71	9.39	
	362.5			27.59	9.52	32.05	9.52	34.48	9.52	36.93	9.52	38.52	9.79	39.78	10.06	40.92	10.59	41.47	11.26	
	435					30.23	11.40	33.08	11.40	35.93	11.40	37.80	11.53	39.26	11.80	40.60	12.34	41.24	13.01	
	507.5					28.49	13.14	31.71	13.14	34.98	13.14	37.09	13.41	38.78	13.68	40.29	14.21	41.03	14.89	
580							30.39	15.02	34.03	15.02	36.41	15.15	38.28	15.42	39.97	15.96	40.81	16.63		
280-46	72.5	43.01	2.55	44.62	2.55	45.75	2.55	46.36	2.55	46.99	2.55	47.39	2.68	47.70	2.95	48.00	3.62	48.15	4.16	
	145	38.60	4.56	41.47	4.56	43.53	4.56	44.64	4.56	45.78	4.56	46.52	4.83	47.10	5.10	47.60	5.63	47.86	6.30	
	217.5	34.50	6.71	38.60	6.71	41.50	6.71	43.08	6.71	44.67	6.71	45.70	6.84	46.52	7.11	47.26	7.64	47.60	8.31	
	290	30.65	8.72	35.88	8.72	39.57	8.72	41.58	8.72	43.61	8.72	44.91	8.85	45.96	9.12	46.91	9.66	47.36	10.33	
	362.5			33.24	10.73	37.70	10.73	40.13	10.73	42.58	10.73	44.17	11.00	45.43	11.26	46.57	11.80	47.12	12.34	
	435							38.73	12.74	41.58	12.74	43.45	13.01	44.93	13.28	46.25	13.81	46.91	14.48	
	507.5							37.36	14.89	40.63	14.89	42.74	15.02	44.43	15.29	45.94	15.82	46.68	16.49	
580									39.68	16.90	42.06	17.03	43.93	17.43	45.62	17.97	46.46	18.51		
280-54	72.5	55.74	3.22	58.42	3.22	60.24	3.22	61.25	3.22	62.25	3.22	62.88	3.35	63.41	3.62	63.86	4.29	64.10	4.83	
	145	48.81	5.90	53.46	5.90	56.73	5.90	58.50	5.90	60.32	5.90	61.49	6.17	62.41	6.44	63.25	6.97	63.65	7.64	
	217.5	42.29	8.72	48.84	8.72	53.46	8.72	55.99	8.72	58.53	8.72	60.17	8.85	61.49	9.12	62.67	9.66	63.25	10.33	
	290					50.37	11.40	53.59	11.40	56.84	11.40	58.95	11.67	60.61	11.93	62.12	12			

Speed n=950 r/min

METRIC

Size	Pressure ΔP Bar	Viscosity (mm ² /s)																	
		3		6		12		20		40		75		150		380		760	
		Flow L/min	Power kW	Flow L/min	Power kW	Flow L/min	Power kW	Flow L/min	Power kW	Flow L/min	Power kW	Flow L/min	Power kW	Flow L/min	Power kW	Flow L/min	Power kW	Flow L/min	Power kW
120-46	5.0	66.4	0.8	69.6	0.8	71.9	0.8	73.2	0.8	74.4	0.8	75.3	0.91	75.9	0.91	76.5	1.11	76.7	1.31
	10.0	57.5	1.41	63.3	1.41	67.5	1.41	69.7	1.41	72	1.41	73.5	1.51	74.7	1.61	75.7	1.81	76.2	2.01
	15.0	49.3	2.11	57.5	2.11	63.4	2.11	66.6	2.11	69.8	2.11	71.8	2.11	73.5	2.21	75	2.41	75.7	2.61
	20.0	41.4	2.72	52	2.72	59.5	2.72	63.5	2.72	67.6	2.72	70.3	2.82	72.4	2.92	74.3	3.12	75.2	3.32
	25.0			46.7	3.42	55.7	3.42	60.6	3.42	65.5	3.42	68.8	3.42	71.3	3.52	73.6	3.72	74.7	3.92
	30.0					52	4.02	57.8	4.02	63.5	4.02	67.3	4.12	70.3	4.22	73	4.43	74.3	4.53
	35.0							55	4.73	61.6	4.73	65.9	4.73	69.3	4.83	72.3	5.03	73.8	5.23
	40.0									59.7	5.33	64.5	5.43	68.3	5.53	71.7	5.63	73.4	5.83
120-54	5.0	85.5	1.01	90.7	1.01	94.3	1.01	96.3	1.01	98.3	1.01	99.7	1.11	101	1.21	102	1.31	102	1.51
	10.0	71.3	1.91	80.6	1.91	87.2	1.91	90.8	1.91	94.4	1.91	96.8	1.91	98.7	2.01	100	2.21	101	2.41
	15.0	58.1	2.72	71.4	2.72	80.6	2.72	85.7	2.72	90.8	2.72	94.2	2.82	96.8	2.92	99.2	3.12	100	3.32
	20.0					74.5	3.62	80.9	3.62	87.4	3.62	91.7	3.72	95.1	3.72	98.1	3.92	99.6	4.12
	25.0							76.3	4.53	84.1	4.53	89.3	4.53	93.4	4.63	97	4.83	98.8	5.03
	30.0									80.9	5.33	86.9	5.43	91.7	5.53	96	5.63	98.1	5.83
	35.0									77.8	6.24	84.6	6.24	90.1	6.34	95	6.54	97.4	6.74
	40.0											82.4	7.14	88.5	7.24	94	7.44	96.7	7.64
210-40	5.0	97.9	1.21	102	1.21	104	1.21	106	1.21	107	1.21	108	1.31	109	1.41	109	1.71	110	2.01
	10.0	87.8	2.11	94.5	2.11	99.2	2.11	102	2.11	104	2.11	106	2.21	107	2.31	109	2.61	109	2.92
	15.0	78.5	3.02	87.8	3.02	94.5	3.02	98.1	3.02	102	3.02	104	3.12	106	3.22	108	3.52	109	3.82
	20.0	69.7	3.92	81.6	3.92	90	3.92	94.7	3.92	99.3	3.92	102	4.02	105	4.22	107	4.43	108	4.73
	25.0	61.1	4.83	75.6	4.83	85.8	4.83	91.3	4.83	97	4.83	101	4.93	104	5.13	106	5.33	107	5.73
	30.0			69.8	5.83	81.6	5.83	88.1	5.83	94.7	5.83	99	5.93	102	6.03	105	6.34	107	6.64
	35.0					77.6	6.74	85	6.74	92.5	6.74	97.3	6.84	101	6.94	105	7.24	106	7.54
	40.0							81.9	7.64	90.3	7.64	95.8	7.74	100	7.84	104	8.15	106	8.45
210-46	5.0	122	1.41	127	1.41	130	1.41	132	1.41	134	1.41	135	1.51	136	1.61	137	1.91	138	2.21
	10.0	108	2.61	117	2.61	123	2.61	127	2.61	130	2.61	133	2.61	134	2.82	136	3.12	137	3.42
	15.0	95	3.72	108	3.72	117	3.72	122	3.72	127	3.72	130	3.82	133	3.92	135	4.22	136	4.53
	20.0	82.9	4.93	99.3	4.93	111	4.93	117	4.93	124	4.93	128	5.03	131	5.13	134	5.43	135	5.73
	25.0			91	6.03	105	6.03	113	6.03	120	6.03	125	6.14	129	6.34	133	6.54	135	6.84
	30.0					99.4	7.24	108	7.24	117	7.24	123	7.34	128	7.44	132	7.74	134	8.05
	35.0							104	8.35	114	8.35	121	8.45	126	8.65	131	8.85	133	9.25
	40.0									111	9.55	119	9.66	125	9.76	130	10.1	133	10.4
210-54	5.0	158	1.81	166	1.81	171	1.81	174	1.81	178	1.81	180	1.91	181	2.01	183	2.31	183	2.61
	10.0	136	3.32	150	3.32	160	3.32	166	3.32	171	3.32	175	3.42	178	3.62	181	3.82	182	4.12
	15.0	115	4.93	136	4.93	150	4.93	158	4.93	166	4.93	171	5.03	175	5.13	179	5.43	181	5.73
	20.0					140	6.44	151	6.44	161	6.44	167	6.54	172	6.64	177	6.94	179	7.24
	25.0							143	8.05	155	8.05	163	8.05	170	8.25	175	8.55	178	8.85
	30.0									151	9.55	160	9.66	167	9.76	174	10.1	177	10.4
	35.0									146	11.1	156	11.2	165	11.4	172	11.6	176	12
	40.0											153	12.8	162	12.9	171	13.2	175	13.5
280-43	5.0	141	1.71	147	1.71	152	1.71	154	1.71	156	1.71	158	1.91	159	2.11	160	2.51	161	2.92
	10.0	125	3.12	136	3.12	143	3.12	148	3.12	152	3.12	155	3.22	157	3.42	159	3.82	160	4.32
	15.0	109	4.43	125	4.43	136	4.43	142	4.43	148	4.43	152	4.63	155	4.83	157	5.23	159	5.63
	20.0	94.5	5.83	114	5.83	128	5.83	136	5.83	144	5.83	149	5.93	153	6.14	156	6.54	158	7.04
	25.0			104	7.14	121	7.14	131	7.14	140	7.14	146	7.34	151	7.54	155	7.95	157	8.45
	30.0					114	8.55	125	8.55	136	8.55	143	8.65	149	8.85	154	9.25	156	9.76
	35.0					108	9.86	120	9.86	132	9.86	140	10.1	147	10.3	153	10.7	155	11.2
	40.0							115	11.3	129	11.3	138	11.4	145	11.6	151	12	154	12.5
280-46	5.0	163	1.91	169	1.91	173	1.91	175	1.91	178	1.91	179	2.01	181	2.21	182	2.72	182	3.12
	10.0	146	3.42	157	3.42	165	3.42	169	3.42	173	3.42	176	3.62	178	3.82	180	4.22	181	4.73
	15.0	131	5.03	146	5.03	157	5.03	163	5.03	169	5.03	173	5.13	176	5.33	179	5.73	180	6.24
	20.0	116	6.54	136	6.54	150	6.54	157	6.54	165	6.54	170	6.64	174	6.84	178	7.24	179	7.74
	25.0			126	8.05	143	8.05	152	8.05	161	8.05	167	8.25	172	8.45	176	8.85	178	9.25
	30.0							147	9.55	157	9.55	164	9.76	170	9.96	175	10.4	178	10.9
	35.0							141	11.2	154	11.2	162	11.3	168	11.5	174	11.9	177	12.4
	40.0									150	12.7	159	12.8	166	13.1	173	13.5	176	13.9
280-54	5.0	211	2.42	221	2.41	228	2.41	232	2.41	236	2.41	238	2.51	240	2.72	242	3.22	243	3.62
	10.0	185	4.43	202	4.43	215	4.43	221	4.43	228	4.43	233	4.63	236	4.83	239	5.23	241	5.73
	15.0	160	6.54	185	6.54	202	6.54	212	6.54	222	6.54	228	6.64	233	6.84	237	7.24	239	7.74
	20.0					191	8.55	203	8.55	215	8.55	223	8.75	229	8.95	235	9.35	238	9.86
	25.0							194	10.7	209	10.7	219	10.8	226	11	233	11.4	237	11.9
	30.0									203	12.7	214	12.8	223	13.1	231	13.5	235	13.9
	35.0									197	14.7	210	14.9	220	15.1	229	15.5	234	16
	40.0											206	16.9	217	17.1	227	17.6	232	18

Values in the blue area of the table are not recommended. Blackmer reserves the right to change the data in the table without prior notice.

U.S. STANDARD		Speed n=950 r/min																	
Size	Pressure PSI	Viscosity (mm ² /s)																	
		3		6		12		20		40		75		150		380		760	
		Flow GPM	Power HP	Flow GPM	Power HP	Flow GPM	Power HP	Flow GPM	Power HP	Flow GPM	Power HP	Flow GPM	Power HP	Flow GPM	Power HP	Flow GPM	Power HP	Flow GPM	Power HP
440-40	72.5	54.89	3.22	56.52	3.22	57.68	3.22	58.32	3.22	58.95	3.22	59.37	3.49	59.69	3.89	60.01	4.83	60.14	5.63
	145	50.37	5.90	53.33	5.90	55.44	5.90	56.58	5.90	57.71	5.90	58.48	6.17	59.06	6.57	59.58	7.38	59.85	8.31
	217.5	46.20	8.45	50.37	8.45	53.35	8.45	54.96	8.45	56.58	8.45	57.63	8.72	58.48	9.12	59.22	9.92	59.61	10.86
	290	42.21	11.00	47.57	11.00	51.35	11.00	53.41	11.00	55.49	11.00	56.84	11.26	57.92	11.67	58.87	12.47	59.35	13.41
	362.5	38.41	13.54	44.88	13.54	49.45	13.54	51.96	13.54	54.44	13.54	56.07	13.81	57.37	14.21	58.53	15.02	59.11	15.96
	435			42.27		47.60	16.09	50.50	16.09	53.43	16.09	55.33	16.36	56.84	16.76	58.21	17.57	58.87	18.51
	507.5					45.80	18.64	49.10	18.64	52.46	18.64	54.62	18.91	56.34	19.31	57.90	20.12	58.66	21.05
580							47.73	21.19	51.48	21.19	53.91	21.46	55.84	21.86	57.58	22.66	58.42	23.60	
440-46	72.5	69.30	4.02	71.57	4.02	73.15	4.02	74.03	4.02	74.90	4.02	75.45	4.29	75.90	4.69	76.32	5.50	76.51	6.44
	145	63.15	7.24	67.19	7.24	70.07	7.24	71.62	7.24	73.21	7.24	74.24	7.51	75.03	7.91	75.77	8.72	76.14	9.66
	217.5	57.45	10.46	63.18	10.46	67.21	10.46	69.43	10.46	71.65	10.46	73.08	10.73	74.24	11.13	75.27	11.93	75.77	12.87
	290	52.01	13.81	59.32	13.81	64.50	13.81	67.32	13.81	70.14	13.81	71.99	14.08	73.47	14.48	74.76	15.29	75.42	16.23
	362.5			55.65	17.03	61.91	17.03	65.29	17.03	68.72	17.03	70.96	17.30	72.73	17.70	74.32	18.51	75.11	19.44
	435					59.37	20.25	63.33	20.25	67.35	20.25	69.93	20.52	72.02	20.92	73.87	21.72	74.79	22.66
	507.5							61.43	23.47	66.00	23.47	68.96	23.74	71.31	24.27	73.42	25.08	74.47	26.02
580								64.65	26.82	67.98	27.09	70.62	27.49	73.00	28.30	74.16	29.23		
440-52	72.5	78.46	4.56	82.05	4.56	84.61	4.56	85.98	4.56	87.38	4.56	88.28	4.83	89.02	5.23	89.65	6.03	89.97	6.97
	145	68.59	8.45	75.08	8.45	79.68	8.45	82.16	8.45	84.69	8.45	86.33	8.72	87.62	9.12	88.78	9.92	89.36	10.86
	217.5	59.48	12.20	68.64	12.20	75.11	12.20	78.65	12.20	82.18	12.20	84.51	12.47	86.33	12.87	87.96	13.68	88.78	14.62
	290			62.52	16.09	70.78	16.09	75.29	16.09	79.81	16.09	82.76	16.36	85.09	16.76	87.20	17.57	88.23	18.51
	362.5					66.61	19.98	72.05	19.98	77.54	19.98	81.10	20.25	83.93	20.65	86.46	21.46	87.70	22.39
	435							68.93	23.74	75.32	23.74	79.46	24.00	82.76	24.41	85.75	25.21	87.20	26.15
	507.5								73.15	27.62	77.91	27.89	81.66	28.30	85.03	29.10	86.70	30.04	
580									76.35	31.78	80.57	32.18	84.35	32.99	86.22	33.93			
440-54	72.5	88.92	4.96	92.51	4.96	95.04	4.96	96.44	4.96	97.84	4.96	98.74	5.23	99.45	5.63	100.11	6.44	100.43	7.38
	145	79.04	9.25	85.54	9.25	90.13	9.25	92.61	9.25	95.12	9.25	96.76	9.52	98.08	9.92	99.24	10.73	99.79	11.67
	217.5	69.93	13.54	79.09	13.54	85.56	13.54	89.10	13.54	92.64	13.54	94.93	13.81	96.78	14.21	98.42	15.02	99.24	15.96
	290					81.23	17.84	85.72	17.84	90.26	17.84	93.22	18.10	95.54	18.51	97.65	19.31	98.68	20.25
	362.5							82.50	22.13	87.99	22.13	91.56	22.39	94.38	22.80	96.91	23.60	98.16	24.54
	435									85.77	26.42	89.92	26.69	93.22	27.09	96.20	27.89	97.65	28.83
	507.5									83.61	30.71	88.33	30.98	92.11	31.38	95.49	32.18	97.15	33.12
580										86.80	35.27	91.03	35.67	94.80	36.48	96.68	37.41		
660-40	72.5	85.88	4.96	88.07	4.96	89.63	4.96	90.47	4.96	91.32	4.96	91.87	5.36	92.32	5.90	92.72	7.11	92.90	8.45
	145	79.83	8.98	83.82	8.98	86.62	8.98	88.15	8.98	89.68	8.98	90.68	9.39	91.48	9.92	92.19	11.13	92.53	12.47
	217.5	74.26	12.87	79.86	12.87	83.82	12.87	85.98	12.87	88.15	12.87	89.55	13.28	90.68	13.81	91.69	15.02	92.19	16.36
	290	68.98	16.90	76.11	16.90	81.18	16.90	83.93	16.90	86.70	16.90	88.49	17.16	89.92	17.84	91.21	19.04	91.85	20.38
	362.5			72.52	20.79	78.62	20.79	81.95	20.79	85.30	20.79	87.49	21.19	89.21	21.72	90.76	22.93	91.53	24.27
	435					76.16	24.81	80.04	24.81	83.95	24.81	86.49	25.08	88.52	25.75	90.31	26.95	91.21	28.30
	507.5					73.74	28.70	78.17	28.70	82.63	28.70	85.54	29.10	87.83	29.64	89.89	30.84	90.92	32.18
580							76.35	32.72	81.34	32.72	84.59	32.99	87.17	33.66	89.47	34.87	90.63	36.07	
660-44	72.5	96.04	5.50	99.05	5.50	101.16	5.50	102.33	5.50	103.49	5.50	104.25	5.90	104.86	6.57	105.39	7.64	105.68	8.98
	145	87.78	10.06	93.22	10.06	97.05	10.06	99.13	10.06	101.24	10.06	102.62	10.46	103.70	11.00	104.68	12.20	105.15	13.54
	217.5	80.15	14.48	87.81	14.48	93.24	14.48	96.18	14.48	99.16	14.48	101.09	14.89	102.62	15.56	103.99	16.63	104.68	17.97
	290			82.68	19.04	89.60	19.04	93.38	19.04	97.18	19.04	99.63	19.44	101.59	19.98	103.36	21.19	104.23	22.53
	362.5					86.12	23.60	90.68	23.60	95.25	23.60	98.23	23.87	100.61	24.54	102.72	25.75	103.78	26.95
	435					82.74	28.03	88.04	28.03	93.40	28.03	96.89	28.43	99.63	28.97	102.12	30.17	103.36	31.51
	507.5							85.48	32.59	91.58	32.59	95.57	32.85	98.71	33.53	101.53	34.73	102.93	36.07
580									89.81	37.01	94.27	37.41	97.79	37.95	100.95	39.16	102.54	40.50	
660-46	72.5	104.65	5.90	107.66	5.90	109.80	5.90	110.96	5.90	112.12	5.90	112.89	6.30	113.47	6.84	114.02	8.05	114.29	9.39
	145	96.41	10.73	101.82	10.73	105.68	10.73	107.76	10.73	109.85	10.73	111.22	11.13	112.31	11.80	113.28	12.87	113.76	14.21
	217.5	88.78	15.69	96.44	15.69	101.85	15.69	104.81	15.69	107.76	15.69	109.69	15.96	111.22	16.63	112.62	17.84	113.28	19.18
	290			91.32	20.52	98.23	20.52	101.98	20.52	105.78	20.52	108.24	20.92	110.22	21.46	111.96	22.66	112.83	24.00
	362.5					94.75	25.34	99.29	25.34	103.88	25.34	106.87	25.75	109.22	26.28	111.36	27.49	112.38	28.83
	435							96.68	30.17	102.01	30.17	105.49	30.57	108.27	31.25	110.75	32.32	111.96	33.66
	507.5									100.21	35.13	104.17	35.54	107.34	36.07	110.17	37.28	111.57	38.62
580									98.45	39.96	102.88	40.36	106.42	40.90	109.59	42.11	111.14	43.45	
660-51	72.5	120.07	6.84	124.87	6.84	128.28	6.84	130.13	6.84	132.00	6.84	133.21	7.24	134.16	7.78	135.04	8.98	135.46	10.33
	145	106.92	12.61	115.58	12.61	121.70	12.61	125.03	12.61	128.38	12.61	130.57	13.01	132.29	13.54	133.85	14.75	134.61	16.09
	217.5	94.75	18.37	106.97	18.37	115.61	18.37	120.33	18.37	125.06	18.37	128.15	18.77	130.57</					

Speed n=950 r/min

METRIC

Size	Pressure ΔP Bar	Viscosity (mm ² /s)																		
		3		6		12		20		40		75		150		380		760		
		Flow L/min	Power kW	Flow L/min	Power kW	Flow L/min	Power kW	Flow L/min	Power kW	Flow L/min	Power kW	Flow L/min	Power kW	Flow L/min	Power kW	Flow L/min	Power kW	Flow L/min	Power kW	
440-40	5.0	208	2.41	214	2.41	218	2.41	221	2.41	223	2.41	225	2.61	226	2.92	227	3.62	228	4.22	
	10.0	191	4.43	202	4.43	210	4.43	214	4.43	218	4.43	221	4.63	224	4.93	226	5.53	227	6.24	
	15.0	175	6.34	191	6.34	202	6.34	208	6.34	214	6.34	218	6.54	221	6.84	224	7.44	226	8.15	
	20.0	160	8.25	180	8.25	194	8.25	202	8.25	210	8.25	215	8.45	219	8.75	223	9.35	225	10.1	
	25.0	145	10.2	170	10.2	187	10.2	197	10.2	206	10.2	212	10.4	217	10.7	222	11.3	224	12	
	30.0			160	12.1	180	12.1	191	12.1	202	12.1	209	12.3	215	12.6	220	13.2	223	13.9	
	35.0					173	14	186	14	199	14	207	14.2	213	14.5	219	15.1	222	15.8	
40.0						181	15.9	195	15.9	204	16.1	211	16.4	218	17	221	17.7			
440-46	5.0	262	3.02	271	3.02	277	3.02	280	3.02	284	3.02	286	3.22	287	3.52	289	4.12	290	4.83	
	10.0	239	5.43	254	5.43	265	5.43	271	5.43	277	5.43	281	5.63	284	5.93	287	6.54	288	7.24	
	15.0	217	7.84	239	7.84	254	7.84	263	7.84	271	7.84	277	8.05	281	8.35	285	8.95	287	9.66	
	20.0	197	10.4	225	10.4	244	10.4	255	10.4	266	10.4	273	10.6	278	10.9	283	11.5	286	12.2	
	25.0			211	12.8	234	12.8	247	12.8	260	12.8	269	13	275	13.3	281	13.9	284	14.6	
	30.0					225	15.2	240	15.2	255	15.2	265	15.4	273	15.7	280	16.3	283	17	
	35.0						233	17.6	250	17.6	261	17.8	270	18.2	278	18.8	282	19.5	282	19.5
40.0								245	20.1	257	20.3	267	20.6	276	21.2	281	21.9	281	21.9	
440-52	5.0	297	3.42	311	3.42	320	3.42	325	3.42	331	3.42	334	3.62	337	3.92	339	4.53	341	5.23	
	10.0	260	6.34	284	6.34	302	6.34	311	6.34	321	6.34	327	6.54	332	6.84	336	7.44	338	8.15	
	15.0	225	9.15	260	9.15	284	9.15	298	9.15	311	9.15	320	9.35	327	9.66	333	10.3	336	11	
	20.0			237	12.1	268	12.1	285	12.1	302	12.1	313	12.3	322	12.6	330	13.2	334	13.9	
	25.0					252	15	273	15	294	15	307	15.2	318	15.5	327	16.1	332	16.8	
	30.0						261	17.8	285	17.8	301	18	313	18.3	325	18.9	330	19.6	330	19.6
	35.0								277	20.7	295	20.9	309	21.2	322	21.8	328	22.5	328	22.5
40.0										289	23.8	305	24.1	319	24.7	326	25.4	326	25.4	
440-54	5.0	337	3.72	350	3.72	360	3.72	365	3.72	370	3.72	374	3.92	376	4.22	379	4.83	380	5.53	
	10.0	299	6.94	324	6.94	341	6.94	351	6.94	360	6.94	366	7.14	371	7.44	376	8.05	378	8.75	
	15.0	265	10.2	299	10.2	324	10.2	337	10.2	351	10.2	359	10.4	366	10.7	373	11.3	376	12	
	20.0					307	13.4	324	13.4	342	13.4	353	13.6	362	13.9	370	14.5	374	15.2	
	25.0							312	16.6	333	16.6	347	16.8	357	17.1	367	17.7	372	18.4	
	30.0								325	19.8	340	20	353	20.3	364	20.9	370	21.6	370	21.6
	35.0								316	23	334	23.2	349	23.5	361	24.1	368	24.8	368	24.8
40.0										329	26.5	345	26.8	359	27.4	366	28.1	366	28.1	
660-40	5.0	325	3.72	333	3.72	339	3.72	342	3.72	346	3.72	348	4.02	349	4.43	351	5.33	352	6.34	
	10.0	302	6.74	317	6.74	328	6.74	334	6.74	339	6.74	343	7.04	346	7.44	349	8.35	350	9.35	
	15.0	281	9.66	302	9.66	317	9.66	325	9.66	334	9.66	339	9.96	343	10.4	347	11.3	349	12.3	
	20.0	261	12.7	288	12.7	307	12.7	318	12.7	328	12.7	335	12.9	340	13.4	345	14.3	348	15.3	
	25.0			275	15.6	298	15.6	310	15.6	323	15.6	331	15.9	338	16.3	344	17.2	346	18.2	
	30.0					288	18.6	303	18.6	318	18.6	327	18.8	335	19.3	342	20.2	345	21.2	
	35.0					279	21.5	296	21.5	313	21.5	324	21.8	332	22.2	340	23.1	344	24.1	
40.0						289	24.5	308	24.5	320	24.7	330	25.2	339	26.1	343	27.1	343	27.1	
660-44	5.0	364	4.12	375	4.12	383	4.12	387	4.12	392	4.12	395	4.43	397	4.93	399	5.73	400	6.74	
	10.0	332	7.54	353	7.54	367	7.54	375	7.54	383	7.54	388	7.84	393	8.25	396	9.15	398	10.2	
	15.0	303	10.9	332	10.9	353	10.9	364	10.9	375	10.9	383	11.2	388	11.7	394	12.5	396	13.5	
	20.0			313	14.3	339	14.3	353	14.3	368	14.3	377	14.6	385	15	391	15.9	395	16.9	
	25.0					326	17.7	343	17.7	361	17.7	372	17.9	381	18.4	389	19.3	393	20.2	
	30.0					313	21	333	21	354	21	367	21.3	377	21.7	387	22.6	391	23.6	
	35.0						324	24.4	347	24.4	362	24.6	374	25.1	384	26	390	27.1	390	27.1
40.0								340	27.8	357	28.1	370	28.5	382	29.4	388	30.4	388	30.4	
660-46	5.0	396	4.43	408	4.43	416	4.43	420	4.43	424	4.43	427	4.73	430	5.13	432	6.03	433	7.04	
	10.0	365	8.05	385	8.05	400	8.05	408	8.05	416	8.05	421	8.35	425	8.85	429	9.66	431	10.7	
	15.0	336	11.8	365	11.8	386	11.8	397	11.8	408	11.8	415	12	421	12.5	426	13.4	429	14.4	
	20.0			346	15.4	372	15.4	386	15.4	400	15.4	410	15.7	417	16.1	424	17	427	18	
	25.0					359	19	376	19	393	19	405	19.3	413	19.7	422	20.6	425	21.6	
	30.0							366	22.6	386	22.6	399	22.9	410	23.4	419	24.2	424	25.2	
	35.0								379	26.4	394	26.7	406	27.1	417	28	422	29	422	29
40.0								373	30	389	30.3	403	30.7	415	31.6	421	32.6	421	32.6	
660-51	5.0	455	5.13	473	5.13	486	5.13	493	5.13	500	5.13	504	5.43	508	5.83	511	6.74	513	7.74	
	10.0	405	9.45	438	9.45	461	9.45	473	9.45	486	9.45	494	9.76	501	10.2	507	11.1	510	12.1	
	15.0	359	13.8	405	13.8	438	13.8	456	13.8	473	13.8	485	14.1	494	14.5	503	15.4	507	16.4	
	20.0					416	18.1	439	18.1	461	18.1	476	18.4	488	18.8	499	19.7	504	20.7	
	25.0							422	22.4	450	22.4	468	22.7	482	23.1	495	24	501	25	
	30.0									439	26.8	460	27.1	476	27.5	491	28.4	499	29.4	
	35.0									428	31.1	452	31.4	471	31.9	488	32.7	496	33.7	
40.0										444	35.7	465	36.2	484	37	494	38	494	38	

Values in the blue area of the table are not recommended. Blackmer reserves the right to change the data in the table without prior notice.

U.S. STANDARD

Speed n=950 r/min

Size	Pressure PSI	Viscosity (mm ² /s)																	
		3		6		12		20		40		75		150		380		760	
		Flow GPM	Power HP	Flow GPM	Power HP	Flow GPM	Power HP	Flow GPM	Power HP	Flow GPM	Power HP	Flow GPM	Power HP	Flow GPM	Power HP	Flow GPM	Power HP	Flow GPM	Power HP
660-54	72.5	134.46	7.38	139.26	7.38	142.64	7.38	144.49	7.38	146.36	7.38	147.58	7.78	148.53	8.45	149.40	9.52	149.82	10.86
	145	121.28	13.81	129.94	13.81	136.07	13.81	139.39	13.81	142.74	13.81	144.94	14.21	146.68	14.75	148.24	15.96	149.00	17.30
	217.5			121.33	20.25	129.99	20.25	134.69	20.25	139.42	20.25	142.51	20.52	144.94	21.19	147.15	22.39	148.24	23.74
	290					124.21	26.55	130.20	26.55	136.25	26.55	140.18	26.95	143.33	27.49	146.12	28.70	147.50	30.04
	362.5							125.90	32.99	133.21	32.99	137.97	33.39	141.74	33.93	145.12	35.13	146.81	36.48
	435									130.26	39.29	135.80	39.69	140.21	40.36	144.17	41.57	146.12	42.78
	507.5											133.69	46.13	138.73	46.67	143.22	47.87	145.46	49.21
580													137.25	53.10	142.32	54.31	144.80	55.65	
940-42	72.5	123.08	7.24	126.98	7.24	129.73	7.24	131.23	7.24	132.74	7.24	133.72	7.78	134.48	8.58	135.19	10.33	135.54	12.20
	145	112.44	13.01	119.43	13.01	124.40	13.01	127.09	13.01	129.81	13.01	131.58	13.54	132.98	14.48	134.24	16.09	134.88	17.97
	217.5	102.56	18.77	112.46	18.77	119.46	18.77	123.29	18.77	127.12	18.77	129.62	19.31	131.60	20.25	133.37	21.86	134.24	23.74
	290	93.22	24.54	105.86	24.54	114.79	24.54	119.64	24.54	124.56	24.54	127.75	25.08	130.26	26.02	132.53	27.62	133.66	29.50
	362.5			99.48	30.31	110.27	30.31	116.16	30.31	122.07	30.31	125.93	30.84	128.99	31.78	131.74	33.39	133.08	35.40
	435					105.92	36.07	112.78	36.07	119.70	36.07	124.19	36.61	127.75	37.55	130.97	39.16	132.55	41.17
	507.5							109.48	41.84	117.35	41.84	122.47	42.38	126.56	43.31	130.20	44.92	132.00	46.94
580									115.08	47.61	120.81	48.28	125.37	49.08	129.47	50.82	131.47	52.70	
940-46	72.5	150.37	8.45	154.26	8.45	157.00	8.45	158.51	8.45	160.01	8.45	160.99	8.98	161.78	9.79	162.47	11.53	162.81	13.41
	145	139.71	15.29	146.70	15.29	151.67	15.29	154.36	15.29	157.08	15.29	158.85	15.82	160.25	16.76	161.52	18.37	162.15	20.38
	217.5	129.84	22.26	139.74	22.26	146.76	22.26	150.56	22.26	154.39	22.26	156.90	22.80	158.88	23.60	160.64	25.34	161.52	27.22
	290			133.14	29.23	142.06	29.23	146.94	29.23	151.83	29.23	155.02	29.77	157.56	30.57	159.80	32.32	160.93	34.20
	362.5					137.57	36.07	143.43	36.07	149.34	36.07	153.20	36.61	156.26	37.55	159.01	39.16	160.38	41.17
	435							140.05	43.05	146.97	43.05	151.46	43.58	155.02	44.39	158.24	46.13	159.83	48.01
	507.5									144.62	50.02	149.77	50.56	153.83	51.36	157.48	53.10	159.27	54.98
580									142.35	56.86	148.08	57.39	152.64	58.33	156.74	59.94	158.77	61.95	
940-50	72.5	165.13	9.39	171.36	9.39	175.74	9.39	178.15	9.39	180.55	9.39	182.13	9.92	183.37	10.73	184.48	12.47	185.04	14.35
	145	148.10	17.30	159.30	17.30	167.24	17.30	171.55	17.30	175.90	17.30	178.73	17.84	180.97	18.64	182.98	20.38	183.98	22.26
	217.5	132.34	25.21	148.16	25.21	159.35	25.21	165.45	25.21	171.57	25.21	175.56	25.75	178.73	26.55	181.58	28.30	182.98	30.17
	290			137.60	32.99	151.88	32.99	159.64	32.99	167.48	32.99	172.58	33.53	176.62	34.46	180.23	36.07	182.03	38.08
	362.5					144.67	40.90	154.07	40.90	163.52	40.90	169.70	41.44	174.58	42.38	178.97	43.98	181.13	45.86
	435									159.69	48.81	166.90	49.35	172.60	50.15	177.72	51.90	180.26	53.77
	507.5									155.97	56.72	164.18	57.26	170.68	58.07	176.51	59.81	179.39	61.69
580											161.49	65.17	168.78	65.98	175.32	67.72	178.57	69.60	
940-54	72.5	196.97	10.73	203.17	10.73	207.58	10.73	209.96	10.73	212.39	10.73	213.95	11.26	215.19	12.07	216.30	13.81	216.85	15.69
	145	179.92	19.98	191.14	19.98	199.06	19.98	203.36	19.98	207.72	19.98	210.54	20.52	212.78	21.32	214.79	23.07	215.79	24.94
	217.5			180.00	29.23	191.19	29.23	197.26	29.23	203.39	29.23	207.40	29.77	210.57	30.57	213.39	32.32	214.79	34.20
	290					183.69	38.49	191.48	38.49	199.29	38.49	204.39	39.02	208.43	39.83	212.07	41.57	213.87	43.45
	362.5							185.88	47.61	195.36	47.61	201.51	48.28	206.40	49.08	210.78	50.82	212.94	52.70
	435									191.53	56.86	198.71	57.39	204.42	58.33	209.54	59.94	212.07	61.95
	507.5											195.99	66.65	202.49	67.59	208.32	69.20	211.23	71.07
580													200.61	76.71	207.13	78.45	210.38	80.33	

Values in the grey area of the table are not recommended. Blackmer reserves the right to change the data in the table without prior notice.

Speed n=950 r/min

METRIC

Size	Pressure ΔP Bar	Viscosity (mm ² /s)																	
		3		6		12		20		40		75		150		380		760	
		Flow L/min	Power kW	Flow L/min	Power kW	Flow L/min	Power kW	Flow L/min	Power kW	Flow L/min	Power kW	Flow L/min	Power kW	Flow L/min	Power kW	Flow L/min	Power kW	Flow L/min	Power kW
660-54	5.0	509	5.53	527	5.53	540	5.53	547	5.53	554	5.53	559	5.83	562	6.34	566	7.14	567	8.15
	10.0	459	10.4	492	10.4	515	10.4	528	10.4	540	10.4	549	10.7	555	11.1	561	12	564	13
	15.0			459	15.2	492	15.2	510	15.2	528	15.2	539	15.4	549	15.9	557	16.8	561	17.8
	20.0					470	19.9	493	19.9	516	19.9	531	20.2	543	20.6	553	21.5	558	22.5
	25.0							477	24.7	504	24.7	522	25	537	25.4	549	26.4	556	27.4
	30.0									493	29.5	514	29.8	531	30.3	546	31.2	553	32.1
	35.0											506	34.6	525	35	542	35.9	551	36.9
40.0													520	39.8	539	40.7	548	41.7	
940-42	5.0	466	5.43	481	5.43	491	5.43	497	5.43	502	5.43	506	5.83	509	6.44	512	7.74	513	9.15
	10.0	426	9.76	452	9.76	471	9.76	481	9.76	491	9.76	498	10.2	503	10.9	508	12.1	511	13.5
	15.0	388	14.1	426	14.1	452	14.1	467	14.1	481	14.1	491	14.5	498	15.2	505	16.4	508	17.8
	20.0	353	18.4	401	18.4	435	18.4	453	18.4	471	18.4	484	18.8	493	19.5	502	20.7	506	22.1
	25.0			377	22.7	417	22.7	440	22.7	462	22.7	477	23.1	488	23.8	499	25	504	26.6
	30.0					401	27.1	427	27.1	453	27.1	470	27.5	484	28.2	496	29.4	502	30.9
	35.0							414	31.4	444	31.4	464	31.8	479	32.5	493	33.7	500	35.2
40.0									436	35.7	457	36.2	475	36.8	490	38.1	498	39.5	
940-46	5.0	569	6.34	584	6.34	594	6.34	600	6.34	606	6.34	609	6.74	612	7.34	615	8.65	616	10.1
	10.0	529	11.5	555	11.5	574	11.5	584	11.5	595	11.5	601	11.9	607	12.6	611	13.8	614	15.3
	15.0	491	16.7	529	16.7	556	16.7	570	16.7	584	16.7	594	17.1	601	17.7	608	19	611	20.4
	20.0			504	21.9	538	21.9	556	21.9	575	21.9	587	22.3	596	22.9	605	24.2	609	25.6
	25.0					521	27.1	543	27.1	565	27.1	580	27.5	592	28.2	602	29.4	607	30.9
	30.0							530	32.3	556	32.3	573	32.7	587	33.3	599	34.6	605	36
	35.0									547	37.5	567	37.9	582	38.5	596	39.8	603	41.2
40.0									539	42.6	561	43	578	43.8	593	45	601	46.5	
940-50	5.0	625	7.04	649	7.04	665	7.04	674	7.04	683	7.04	689	7.44	694	8.05	698	9.35	700	10.8
	10.0	561	13	603	13	633	13	649	13	666	13	677	13.4	685	14	693	15.3	696	16.7
	15.0	501	18.9	561	18.9	603	18.9	626	18.9	649	18.9	665	19.3	677	19.9	687	21.2	693	22.6
	20.0			521	24.7	575	24.7	604	24.7	634	24.7	653	25.1	669	25.8	682	27.1	689	28.6
	25.0					548	30.7	583	30.7	619	30.7	642	31.1	661	31.8	677	33	686	34.4
	30.0									605	36.6	632	37	653	37.6	673	38.9	682	40.3
	35.0									590	42.5	621	42.9	646	43.5	668	44.9	679	46.3
40.0											611	48.9	639	49.5	664	50.8	676	52.2	
940-54	5.0	746	8.05	769	8.05	786	8.05	795	8.05	804	8.05	810	8.45	815	9.05	819	10.4	821	11.8
	10.0	681	15	724	15	754	15	770	15	786	15	797	15.4	805	16	813	17.3	817	18.7
	15.0			681	21.9	724	21.9	747	21.9	770	21.9	785	22.3	797	22.9	808	24.2	813	25.6
	20.0					695	28.9	725	28.9	754	28.9	774	29.3	789	29.9	803	31.2	810	32.6
	25.0							704	35.7	740	35.7	763	36.2	781	36.8	798	38.1	806	39.5
	30.0									725	42.6	752	43	774	43.8	793	45	803	46.5
	35.0											742	50	767	50.7	789	51.9	800	53.3
40.0													759	57.5	784	58.8	796	60.2	

Values in the blue area of the table are not recommended. Blackmer reserves the right to change the data in the table without prior notice.

U.S. STANDARD

Speed n=1150 r/min

Size	Pressure PSI	Viscosity (mm ² /s)																	
		3		6		12		20		40		75		150		380		760	
		Flow GPM	Power HP	Flow GPM	Power HP	Flow GPM	Power HP	Flow GPM	Power HP	Flow GPM	Power HP	Flow GPM	Power HP	Flow GPM	Power HP	Flow GPM	Power HP	Flow GPM	Power HP
40-38	72.5	4.49	0.27	4.80	0.27	5.02	0.27	5.12	0.27	5.23	0.27	5.31	0.40	5.36	0.40	5.44	0.54	5.46	0.67
	145	3.67	0.54	4.20	0.54	4.59	0.54	4.80	0.54	5.02	0.54	5.15	0.54	5.25	0.67	5.36	0.67	5.41	0.80
	217.5	2.90	0.80	3.67	0.80	4.22	0.80	4.51	0.80	4.80	0.80	4.99	0.80	5.15	0.80	5.28	0.94	5.36	1.07
	290	2.19	1.07	3.17	1.07	3.85	1.07	4.22	1.07	4.59	1.07	4.86	1.07	5.04	1.07	5.23	1.21	5.31	1.34
	362.5	1.48	1.21	2.67	1.21	3.51	1.21	3.96	1.21	4.41	1.21	4.70	1.34	4.94	1.34	5.15	1.48	5.25	1.61
	435			2.19	1.48	3.17	1.48	3.70	1.48	4.22	1.48	4.57	1.48	4.86	1.61	5.10	1.61	5.23	1.74
	507.5					2.82	1.74	3.43	1.74	4.04	1.74	4.44	1.74	4.75	1.74	5.04	1.88	5.17	2.01
580					2.51	2.01	3.19	2.01	3.88	2.01	4.30	2.01	4.67	2.01	4.99	2.15	5.15	2.28	
40-46	72.5	5.97	0.40	6.36	0.40	6.65	0.40	6.81	0.40	6.97	0.40	7.08	0.40	7.15	0.54	7.23	0.54	7.26	0.67
	145	4.86	0.67	5.57	0.67	6.10	0.67	6.39	0.67	6.68	0.67	6.86	0.80	7.00	0.80	7.13	0.94	7.21	0.94
	217.5	3.83	1.07	4.86	1.07	5.60	1.07	5.99	1.07	6.39	1.07	6.65	1.07	6.86	1.07	7.05	1.21	7.13	1.34
	290	2.82	1.34	4.17	1.34	5.10	1.34	5.60	1.34	6.12	1.34	6.44	1.34	6.71	1.48	6.94	1.48	7.08	1.61
	362.5			3.48	1.61	4.62	1.61	5.23	1.61	5.86	1.61	6.26	1.61	6.57	1.74	6.86	1.88	7.02	1.88
	435					4.17	2.01	4.88	2.01	5.60	2.01	6.07	2.01	6.44	2.01	6.78	2.15	6.94	2.28
	507.5							4.54	2.28	5.36	2.28	5.91	2.28	6.34	2.41	6.71	2.41	6.89	2.55
580									5.12	2.55	5.73	2.55	6.20	2.68	6.63	2.82	6.84	2.82	
40-54	72.5	7.66	0.54	8.32	0.54	8.76	0.54	9.03	0.54	9.27	0.54	9.45	0.54	9.56	0.54	9.69	0.67	9.74	0.80
	145	5.86	0.94	7.05	0.94	7.87	0.94	8.34	0.94	8.79	0.94	9.08	0.94	9.32	0.94	9.53	1.07	9.64	1.21
	217.5	4.22	1.34	5.89	1.34	7.05	1.34	7.68	1.34	8.34	1.34	8.74	1.34	9.08	1.48	9.37	1.48	9.53	1.61
	290					6.26	1.74	7.08	1.74	7.89	1.74	8.45	1.74	8.87	1.88	9.24	1.88	9.42	2.01
	362.5							6.49	2.15	7.50	2.15	8.13	2.15	8.66	2.28	9.11	2.41	9.35	2.41
	435									7.08	2.55	7.84	2.68	8.45	2.68	8.98	2.82	9.24	2.95
	507.5									6.71	2.95	7.55	3.08	8.24	3.08	8.84	3.22	9.16	3.35
580											7.29	3.49	8.05	3.49	8.74	3.62	9.06	3.75	
80-36	72.5	8.40	0.54	8.90	0.54	9.24	0.54	9.42	0.54	9.61	0.54	9.72	0.54	9.82	0.67	9.90	0.80	9.95	0.94
	145	7.08	0.94	7.95	0.94	8.55	0.94	8.90	0.94	9.24	0.94	9.45	1.07	9.64	1.07	9.79	1.21	9.87	1.34
	217.5	5.83	1.34	7.08	1.34	7.95	1.34	8.42	1.34	8.90	1.34	9.21	1.48	9.45	1.48	9.69	1.61	9.79	1.74
	290	4.67	1.88	6.26	1.88	7.37	1.88	7.97	1.88	8.58	1.88	8.98	1.88	9.29	1.88	9.58	2.01	9.72	2.28
	362.5	3.56	2.28	5.46	2.28	6.81	2.28	7.55	2.28	8.29	2.28	8.76	2.28	9.13	2.41	9.48	2.55	9.64	2.68
	435			4.70	2.68	6.26	2.68	7.13	2.68	7.97	2.68	8.53	2.68	8.98	2.82	9.37	2.95	9.58	3.08
	507.5			3.93	3.08	5.73	3.08	6.71	3.08	7.68	3.08	8.32	3.08	8.84	3.22	9.29	3.35	9.50	3.49
580					5.20	3.49	6.31	3.49	7.39	3.49	8.13	3.62	8.69	3.62	9.19	3.75	9.45	3.89	
80-42	72.5	9.95	0.67	10.61	0.67	11.09	0.67	11.33	0.67	11.59	0.67	11.75	0.67	11.88	0.80	12.01	0.94	12.06	1.07
	145	8.13	1.21	9.32	1.21	10.16	1.21	10.64	1.21	11.09	1.21	11.40	1.21	11.64	1.21	11.85	1.34	11.96	1.61
	217.5	6.44	1.61	8.13	1.61	9.32	1.61	9.98	1.61	10.64	1.61	11.06	1.74	11.40	1.74	11.70	1.88	11.85	2.01
	290	4.83	2.15	7.00	2.15	8.53	2.15	9.35	2.15	10.19	2.15	10.74	2.28	11.17	2.28	11.56	2.41	11.75	2.55
	362.5			5.91	2.68	7.76	2.68	8.76	2.68	9.77	2.68	10.43	2.82	10.96	2.82	11.43	2.95	11.64	3.08
	435					7.00	3.22	8.18	3.22	9.37	3.22	10.14	3.22	10.74	3.35	11.30	3.49	11.56	3.62
	507.5					6.28	3.75	7.60	3.75	8.95	3.75	9.85	3.75	10.53	3.89	11.17	4.02	11.46	4.16
580							7.08	4.29	8.58	4.29	9.56	4.29	10.32	4.43	11.04	4.56	11.38	4.69	
80-46	72.5	12.09	0.67	12.75	0.67	13.23	0.67	13.49	0.67	13.75	0.67	13.91	0.80	14.04	0.80	14.18	0.94	14.23	1.07
	145	10.27	1.34	11.48	1.34	12.33	1.34	12.78	1.34	13.25	1.34	13.54	1.34	13.78	1.48	13.99	1.61	14.10	1.74
	217.5	8.58	2.01	10.27	2.01	11.48	2.01	12.12	2.01	12.78	2.01	13.20	2.01	13.54	2.01	13.86	2.15	13.99	2.41
	290	7.00	2.55	9.16	2.55	10.69	2.55	11.51	2.55	12.36	2.55	12.88	2.55	13.33	2.68	13.70	2.82	13.91	2.95
	362.5			8.05	3.22	9.90	3.22	10.90	3.22	11.93	3.22	12.59	3.22	13.09	3.22	13.57	3.35	13.81	3.62
	435					9.16	3.75	10.32	3.75	11.51	3.75	12.28	3.75	12.88	3.89	13.44	4.02	13.70	4.16
	507.5					8.42	4.43	9.77	4.43	11.11	4.43	11.99	4.43	12.70	4.43	13.31	4.69	13.62	4.83
580									10.72	4.96	11.70	5.10	12.49	5.10	13.17	5.23	13.54	5.36	
80-54	72.5	15.39	0.94	16.47	0.94	17.21	0.94	17.64	0.94	18.03	0.94	18.32	0.94	18.53	1.07	18.72	1.21	18.80	1.34
	145	12.49	1.74	14.41	1.74	15.76	1.74	16.50	1.74	17.24	1.74	17.71	1.74	18.11	1.88	18.45	2.01	18.61	2.15
	217.5	9.79	2.55	12.51	2.55	14.41	2.55	15.44	2.55	16.50	2.55	17.19	2.55	17.74	2.68	18.22	2.82	18.45	2.95
	290					13.15	3.35	14.47	3.35	15.81	3.35	16.68	3.35	17.37	3.49	17.98	3.62	18.30	3.75
	362.5							13.52	4.16	15.13	4.16	16.18	4.16	17.03	4.29	17.77	4.43	18.14	4.56
	435									14.47	4.96	15.71	4.96	16.68	5.10	17.56	5.23	17.98	5.36
	507.5									13.83	5.77	15.23	5.77	16.34	5.90	17.34	6.03	17.85	6.17
580											14.78	6.57	16.02	6.71	17.13	6.84	17.69	6.97	
120-42	72.5	14.34	0.94	15.21	0.94	15.81	0.94	16.13	0.94	16.47	0.94	16.68	1.07	16.87	1.07	17.00	1.34	17.08	1.61
	145	11.99	1.61	13.54	1.61	14.63	1.61	15.23	1.61	15.84	1.61	16.21	1.74	16.53	1.88	16.82	2.15	16.95	2.41
	217.5	9.82	2.41	12.01	2.41	13.54	2.41	14.39	2.41	15.23	2.41	15.79	2.41	16.21	2.55	16.61	2.82	16.82	3.08
	290	7.76	3.08	10.53	3.08	12.51	3.08	13.60	3.08	14.68	3.08	15.36	3.22	15.92	3.35	16.42	3.62	16.68	3.89
	362.5			9.13	3.89	11.51	3.89	12.83	3.89	14.12	3.89	14.97	3.89	15.66	4.02	16.26	4.29	16.55	4.56
	435					10.56	4.56	12.0											

Speed n=1150 r/min

METRIC

Size	Pressure ΔP Bar	Viscosity (mm ² /s)																	
		3		6		12		20		40		75		150		380		760	
		Flow L/min	Power kW	Flow L/min	Power kW	Flow L/min	Power kW	Flow L/min	Power kW	Flow L/min	Power kW	Flow L/min	Power kW	Flow L/min	Power kW	Flow L/min	Power kW	Flow L/min	Power kW
40-38	5.0	21.4	0.30	22.6	0.30	23.4	0.30	23.8	0.30	24.2	0.30	24.5	0.30	24.7	0.40	25	0.50	25.1	0.60
	10.0	18.3	0.50	20.3	0.50	21.8	0.50	22.6	0.50	23.4	0.50	23.9	0.60	24.3	0.60	24.7	0.70	24.9	0.80
	15.0	15.4	0.70	18.3	0.70	20.4	0.70	21.5	0.70	22.6	0.70	23.3	0.80	23.9	0.80	24.4	0.91	24.7	1.01
	20.0	12.7	0.91	16.4	0.91	19	0.91	20.4	0.91	21.8	0.91	22.8	1.01	23.5	1.01	24.2	1.11	24.5	1.31
	25.0	9.99	1.11	14.5	1.11	17.7	1.11	19.4	1.11	21.1	1.11	22.2	1.21	23.1	1.21	23.9	1.31	24.3	1.51
	30.0			12.7	1.41	16.4	1.41	18.4	1.41	20.4	1.41	21.7	1.41	22.8	1.41	23.7	1.61	24.2	1.71
	35.0					15.1	1.61	17.4	1.61	19.7	1.61	21.2	1.61	22.4	1.71	23.5	1.81	24	1.91
40.0					13.9	1.81	16.5	1.81	19.1	1.81	20.7	1.81	22.1	1.91	23.3	2.01	23.9	2.11	
40-46	5.0	28.5	0.4	30	0.4	31.1	0.4	31.7	0.4	32.3	0.4	32.7	0.4	33	0.5	33.3	0.6	33.4	0.7
	10.0	24.2	0.7	27	0.7	29	0.7	30	0.7	31.1	0.7	31.8	0.7	32.4	0.7	32.9	0.91	33.1	1.01
	15.0	20.3	0.91	24.2	0.91	27	0.91	28.5	0.91	30.1	0.91	31	1.01	31.8	1.01	32.5	1.11	32.9	1.31
	20.0	16.6	1.21	21.6	1.21	25.2	1.21	27.1	1.21	29	1.21	30.3	1.31	31.3	1.31	32.2	1.41	32.7	1.51
	25.0			19.1	1.51	23.4	1.51	25.7	1.51	28.1	1.51	29.6	1.51	30.8	1.61	31.9	1.71	32.4	1.81
	30.0					21.6	1.81	24.4	1.81	27.1	1.81	28.9	1.81	30.3	1.91	31.6	2.01	32.2	2.11
	35.0							23.1	2.11	26.2	2.11	28.2	2.11	29.8	2.21	31.3	2.31	32	2.41
40.0							21.8	2.31	25.3	2.31	27.6	2.41	29.4	2.41	31	2.51	31.8	2.72	
40-54	5.0	36.9	0.5	39.4	0.5	41.1	0.5	42.1	0.5	43	0.5	43.6	0.5	44.1	0.6	44.6	0.7	44.8	0.8
	10.0	30.1	0.8	34.6	0.8	37.7	0.8	39.4	0.8	41.2	0.8	42.3	0.91	43.2	0.91	44	1.01	44.4	1.21
	15.0	23.9	1.21	30.2	1.21	34.6	1.21	37	1.21	39.4	1.21	41	1.31	42.3	1.31	43.4	1.41	44	1.51
	20.0					31.6	1.61	34.7	1.61	37.8	1.61	39.8	1.61	41.4	1.71	42.9	1.81	43.6	1.91
	25.0							32.5	2.01	36.3	2.01	38.7	2.01	40.6	2.11	42.4	2.21	43.2	2.31
	30.0									34.7	2.41	37.6	2.41	39.9	2.41	41.9	2.61	42.9	2.72
	35.0									33.2	2.72	36.5	2.82	39.1	2.82	41.4	2.92	42.6	3.12
40.0											35.4	3.22	38.3	3.22	40.9	3.32	42.2	3.42	
80-36	5.0	39.8	0.5	41.7	0.5	43	0.5	43.7	0.5	44.4	0.5	44.9	0.6	45.2	0.6	45.6	0.8	45.7	1.01
	10.0	34.8	0.91	38.1	0.91	40.5	0.91	41.7	0.91	43	0.91	43.9	0.91	44.5	1.01	45.1	1.21	45.4	1.31
	15.0	30.2	1.31	34.8	1.31	38.1	1.31	39.9	1.31	41.7	1.31	42.9	1.31	43.9	1.41	44.7	1.61	45.1	1.71
	20.0	25.7	1.71	31.7	1.71	35.9	1.71	38.2	1.71	40.5	1.71	42	1.71	43.2	1.81	44.3	1.91	44.8	2.11
	25.0	21.5	2.11	28.7	2.11	33.8	2.11	36.6	2.11	39.4	2.11	41.2	2.11	42.6	2.21	43.9	2.31	44.6	2.51
	30.0			25.8	2.41	31.7	2.41	35	2.41	38.2	2.41	40.4	2.51	42	2.61	43.6	2.72	44.3	2.92
	35.0			22.9	2.82	29.7	2.82	33.4	2.82	37.1	2.82	39.6	2.92	41.5	2.92	43.2	3.12	44.1	3.32
40.0					27.8	3.22	31.9	3.22	36.1	3.22	38.8	3.32	40.9	3.32	42.9	3.52	43.8	3.62	
80-42	5.0	47.4	0.6	49.9	0.6	51.7	0.6	52.7	0.6	53.6	0.6	54.3	0.6	54.8	0.7	55.2	0.91	55.5	1.01
	10.0	40.5	1.11	45	1.11	48.2	1.11	50	1.11	51.7	1.11	52.9	1.11	53.8	1.21	54.6	1.31	55	1.51
	15.0	34.1	1.51	40.5	1.51	45.1	1.51	47.5	1.51	50	1.51	51.6	1.61	52.9	1.71	54.1	1.81	54.6	2.01
	20.0	28.1	2.01	36.2	2.01	42	2.01	45.2	2.01	48.3	2.01	50.4	2.01	52	2.11	53.5	2.31	54.2	2.41
	25.0			32.1	2.51	39.1	2.51	42.9	2.51	46.7	2.51	49.2	2.51	51.2	2.61	53	2.72	53.9	2.92
	30.0					36.3	2.92	40.7	2.92	45.2	2.92	48.1	3.02	50.4	3.12	52.5	3.22	53.5	3.42
	35.0					33.5	3.42	38.6	3.42	43.7	3.42	47	3.42	49.6	3.52	52	3.72	53.2	3.82
40.0							36.5	3.92	42.2	3.92	45.9	3.92	48.9	4.02	51.5	4.12	52.8	4.32	
80-46	5.0	57.3	0.7	59.8	0.7	61.6	0.7	62.5	0.7	63.5	0.7	64.2	0.7	64.7	0.8	65.1	1.01	65.3	1.11
	10.0	50.4	1.21	54.9	1.21	58.1	1.21	59.9	1.21	61.6	1.21	62.8	1.31	63.7	1.41	64.5	1.51	64.9	1.71
	15.0	44	1.81	50.4	1.81	54.9	1.81	57.4	1.81	59.9	1.81	61.5	1.81	62.8	1.91	63.9	2.11	64.5	2.21
	20.0	37.9	2.31	46.1	2.31	51.9	2.31	55.1	2.31	58.2	2.31	60.3	2.41	61.9	2.51	63.4	2.61	64.1	2.82
	25.0			42	2.92	49	2.92	52.8	2.92	56.6	2.92	59.1	2.92	61.1	3.02	62.9	3.22	63.8	3.32
	30.0					46.2	3.42	50.6	3.42	55.1	3.42	58	3.52	60.3	3.52	62.4	3.72	63.4	3.92
	35.0							48.5	4.02	53.6	4.02	56.9	4.02	59.5	4.12	61.9	4.22	63.1	4.43
40.0									52.1	4.53	55.8	4.63	58.8	4.63	61.4	4.83	62.7	5.03	
80-54	5.0	73.5	0.91	77.5	0.91	80.3	0.91	81.9	0.91	83.4	0.91	84.4	0.91	85.2	1.01	86	1.11	86.3	1.31
	10.0	62.5	1.61	69.7	1.61	74.9	1.61	77.6	1.61	80.4	1.61	82.2	1.61	83.7	1.71	85	1.91	85.6	2.01
	15.0	52.3	2.31	62.5	2.31	69.8	2.31	73.7	2.31	77.6	2.31	80.2	2.41	82.2	2.41	84.1	2.61	85	2.82
	20.0					64.9	3.02	70	3.02	75	3.02	78.2	3.12	80.9	3.22	83.2	3.32	84.4	3.52
	25.0							66.4	3.82	72.5	3.82	76.5	3.82	79.5	3.92	82.4	4.02	83.8	4.22
	30.0									70	4.53	74.7	4.53	78.3	4.63	81.6	4.83	83.2	4.93
	35.0									67.6	5.23	72.9	5.33	77	5.33	80.8	5.53	82.7	5.73
40.0											71.2	6.03	75.9	6.14	80	6.24	82.1	6.44	
120-42	5.0	68.1	0.91	71.4	0.91	73.7	0.91	74.9	0.91	76.2	0.91	76.9	1.01	77.5	1.11	78.1	1.41	78.4	1.61
	10.0	59.2	1.51	65.1	1.51	69.2	1.51	71.5	1.51	73.7	1.51	75.2	1.61	76.4	1.81	77.3	2.01	77.8	2.31
	15.0	51	2.21	59.2	2.21	65.1	2.21	68.3	2.21	71.5	2.21	73.6	2.31	75.2	2.41	76.7	2.72	77.3	3.02
	20.0	43.2	2.92	53.7	2.92	61.2	2.92	65.2	2.92	69.3	2.92	72	3.02	74.1	3.12	76	3.32	76.8	3.62
	25.0			48.4	3.52	57.4	3.52	62.3	3.52	67.3	3.52	70.5	3.62	73	3.72	75.3	4.02	76.5	4.32
	30.0					53.8	4.22	59.5	4.22	65.3	4.22	69	4.32	72	4.43	74.7	4.73	76	4.93
	35.0					50.2	4.83	56.7	4.83	63.3	4.83	67.6	4.93	71	5.13	74.1	5.33	75.6	5.63
40.0							54	5.53	61.4	5.53	66.2	5.63	70	5.73	73.4	6.03	75.1	6.34	

Values in the blue area of the table are not recommended. Blackmer reserves the right to change the data in the table without prior notice.

U.S. STANDARD		Speed n=1150 r/min																	
Size	Pressure PSI	Viscosity (mm ² /s)																	
		3		6		12		20		40		75		150		380		760	
		Flow GPM	Power HP	Flow GPM	Power HP	Flow GPM	Power HP	Flow GPM	Power HP	Flow GPM	Power HP	Flow GPM	Power HP	Flow GPM	Power HP	Flow GPM	Power HP	Flow GPM	Power HP
120-46	72.5	21.83	1.34	22.70	1.34	23.28	1.34	23.63	1.34	23.97	1.34	24.18	1.48	24.34	1.61	24.50	2.01	24.58	2.41
	145	19.48	2.41	21.04	2.41	22.12	2.41	22.73	2.41	23.31	2.41	23.71	2.55	24.02	2.68	24.29	3.08	24.42	3.49
	217.5	17.32	3.49	19.48	3.49	21.04	3.49	21.89	3.49	22.73	3.49	23.28	3.62	23.71	3.75	24.10	4.02	24.29	4.43
	290	15.23	4.56	18.03	4.56	20.01	4.56	21.07	4.56	22.15	4.56	22.86	4.56	23.42	4.83	23.92	5.10	24.16	5.50
	362.5			16.63	5.50	19.01	5.50	20.30	5.50	21.62	5.50	22.47	5.63	23.13	5.77	23.73	6.17	24.05	6.57
	435					18.06	6.57	19.56	6.57	21.09	6.57	22.07	6.71	22.86	6.84	23.58	7.24	23.92	7.64
	507.5							18.82	7.64	20.57	7.64	21.70	7.78	22.60	7.91	23.39	8.31	23.81	8.72
580									20.06	8.72	21.33	8.85	22.33	8.98	23.23	9.39	23.68	9.66	
120-54	72.5	28.33	1.74	29.70	1.74	30.68	1.74	31.20	1.74	31.73	1.74	32.08	1.88	32.37	2.01	32.60	2.28	32.71	2.68
	145	24.58	3.08	27.03	3.08	28.80	3.08	29.75	3.08	30.70	3.08	31.34	3.22	31.81	3.35	32.26	3.75	32.50	4.16
	217.5	21.09	4.56	24.58	4.56	27.06	4.56	28.41	4.56	29.75	4.56	30.62	4.56	31.34	4.83	31.94	5.10	32.26	5.50
	290					25.40	5.90	27.11	5.90	28.86	5.90	29.96	6.03	30.86	6.17	31.65	6.57	32.05	6.97
	362.5							25.90	7.24	27.98	7.24	29.33	7.38	30.41	7.51	31.39	7.91	31.86	8.31
	435									27.14	8.72	28.72	8.85	29.96	8.98	31.10	9.39	31.65	9.66
	507.5									26.29	10.06	28.12	10.19	29.54	10.33	30.84	10.73	31.47	11.13
580									25.50	11.53	27.54	11.53	29.15	11.80	30.57	12.07	31.28	12.47	
210-40	72.5	32.02	2.01	33.00	2.01	33.69	2.01	34.06	2.01	34.43	2.01	34.69	2.15	34.87	2.41	35.06	2.95	35.14	3.62
	145	29.36	3.49	31.10	3.49	32.34	3.49	33.03	3.49	33.71	3.49	34.14	3.62	34.50	3.89	34.82	4.43	34.98	5.10
	217.5	26.88	4.96	29.36	4.96	31.13	4.96	32.08	4.96	33.03	4.96	33.66	5.10	34.16	5.36	34.58	5.90	34.82	6.57
	290	24.55	6.44	27.72	6.44	29.94	6.44	31.15	6.44	32.39	6.44	33.18	6.57	33.82	6.84	34.40	7.38	34.66	8.05
	362.5	22.28	7.91	26.11	7.91	28.83	7.91	30.28	7.91	31.76	7.91	32.74	8.18	33.50	8.45	34.19	8.98	34.53	9.52
	435			24.58	9.39	27.72	9.39	29.44	9.39	31.18	9.39	32.29	9.66	33.18	9.92	34.00	10.46	34.40	11.00
	507.5					26.66	11.00	28.62	11.00	30.60	11.00	31.86	11.13	32.89	11.40	33.79	11.93	34.27	12.47
580							27.80	12.47	30.02	12.47	31.44	12.61	32.60	12.87	33.61	13.41	34.14	14.08	
210-46	72.5	39.84	2.41	41.18	2.41	42.11	2.41	42.64	2.41	43.14	2.41	43.48	2.55	43.74	2.82	43.98	3.35	44.11	3.89
	145	36.19	4.29	38.60	4.29	40.29	4.29	41.21	4.29	42.13	4.29	42.74	4.43	43.24	4.69	43.67	5.23	43.88	5.77
	217.5	32.84	6.17	36.22	6.17	38.62	6.17	39.92	6.17	41.24	6.17	42.08	6.30	42.77	6.57	43.38	7.11	43.67	7.64
	290	29.65	8.05	33.95	8.05	37.01	8.05	38.68	8.05	40.34	8.05	41.45	8.18	42.29	8.45	43.08	8.98	43.45	9.52
	362.5			31.79	9.92	35.48	9.92	37.49	9.92	39.49	9.92	40.81	10.06	41.87	10.33	42.79	10.86	43.27	11.40
	435					33.98	11.80	36.33	11.80	38.68	11.80	40.23	11.93	41.45	12.20	42.53	12.74	43.08	13.28
	507.5							35.19	13.68	37.88	13.68	39.65	13.81	41.03	14.08	42.27	14.62	42.90	15.15
580									37.12	15.56	39.07	15.69	40.63	15.96	42.03	16.49	42.72	17.03	
210-54	72.5	51.93	2.95	54.04	2.95	55.55	2.95	56.36	2.95	57.18	2.95	57.74	3.22	58.16	3.49	58.53	4.02	58.74	4.56
	145	46.09	5.50	49.92	5.50	52.64	5.50	54.12	5.50	55.60	5.50	56.58	5.63	57.34	5.90	58.03	6.44	58.37	7.11
	217.5	40.71	8.05	46.12	8.05	49.95	8.05	52.03	8.05	54.12	8.05	55.49	8.18	56.58	8.45	57.55	8.98	58.03	9.52
	290					47.39	10.46	50.05	10.46	52.72	10.46	54.46	10.73	55.84	11.00	57.08	11.53	57.71	12.07
	362.5							48.13	13.01	51.37	13.01	53.49	13.14	55.15	13.41	56.65	13.95	57.39	14.62
	435									50.05	15.56	52.51	15.69	54.46	15.96	56.23	16.49	57.10	17.03
	507.5									48.79	17.97	51.59	18.24	53.80	18.51	55.81	19.04	56.79	19.58
580											50.69	20.65	53.17	20.92	55.41	21.46	56.52	22.13	
280-43	72.5	46.36	2.95	47.97	2.95	49.10	2.95	49.71	2.95	50.34	2.95	50.74	3.22	51.08	3.62	51.35	4.43	51.51	5.36
	145	41.95	5.10	44.85	5.10	46.89	5.10	48.02	5.10	49.13	5.10	49.87	5.36	50.45	5.77	50.98	6.57	51.22	7.51
	217.5	37.88	7.24	41.98	7.24	44.85	7.24	46.44	7.24	48.02	7.24	49.05	7.51	49.87	7.91	50.61	8.85	50.98	9.66
	290	34.00	9.52	39.23	9.52	42.93	9.52	44.93	9.52	46.97	9.52	48.29	9.79	49.32	10.19	50.27	11.00	50.71	11.93
	362.5			36.59	11.67	41.05	11.67	43.48	11.67	45.94	11.67	47.55	11.93	48.79	12.34	49.92	13.14	50.50	14.08
	435					39.26	13.95	42.08	13.95	44.96	13.95	46.81	14.21	48.29	14.62	49.61	15.42	50.27	16.36
	507.5					37.49	16.09	40.74	16.09	43.98	16.09	46.09	16.36	47.78	16.76	49.29	17.57	50.05	18.51
580							39.39	18.24	43.03	18.24	45.41	18.51	47.31	18.91	49.00	19.71	49.82	20.65	
280-46	72.5	53.20	3.22	54.81	3.22	55.94	3.22	56.58	3.22	57.18	3.22	57.60	3.49	57.92	3.89	58.21	4.69	58.34	5.63
	145	48.79	5.63	51.69	5.63	53.75	5.63	54.86	5.63	55.99	5.63	56.71	5.90	57.29	6.30	57.82	7.24	58.08	8.05
	217.5	44.72	8.18	48.81	8.18	51.72	8.18	53.28	8.18	54.86	8.18	55.89	8.45	56.71	8.85	57.45	9.66	57.82	10.59
	290	40.84	10.59	46.07	10.59	49.76	10.59	51.80	10.59	53.80	10.59	55.12	10.86	56.18	11.26	57.10	12.20	57.58	13.01
	362.5			43.45	13.14	47.92	13.14	50.34	13.14	52.80	13.14	54.38	13.41	55.65	13.81	56.79	14.62	57.34	15.56
	435							48.95	15.69	51.80	15.69	53.67	15.82	55.12	16.36	56.47	17.16	57.10	17.97
	507.5							47.57	18.10	50.82	18.10	52.96	18.37	54.65	18.77	56.15	19.58	56.89	20.52
580									49.90	20.65	52.27	20.92	54.15	21.32	55.84	22.13	56.68	23.07	
280-54	72.5	69.48	4.02	72.05	4.02	73.87	4.02	74.87	4.02	75.85	4.02	76.51	4.29	77.01	4.69	77.48	5.50	77.72	6.44
	145	62.41	7.38	67.06	7.38	70.33	7.38	72.12	7.38	73.92	7.38	75.08	7.64	76.03	8.05	76.85	8.85	77.27	9.79
	217.5	55.92	10.59	62.46	10.59	67.08	10.59	69.59	10.59	72.12	10.59	73.79	10.86	75.11	11.26	76.27	12.20	76.85	13.01
	290					63.99	13.95	67.21	13.95	70.44	13.95	72.55	14.21	74.21	14.62	75.72	1		

Speed n=1150 r/min

METRIC

Size	Pressure ΔP Bar	Viscosity (mm ² /s)																	
		3		6		12		20		40		75		150		380		760	
		Flow L/min	Power kW	Flow L/min	Power kW	Flow L/min	Power kW	Flow L/min	Power kW	Flow L/min	Power kW	Flow L/min	Power kW	Flow L/min	Power kW	Flow L/min	Power kW	Flow L/min	Power kW
120-46	5.0	82.6	1.01	85.9	1.01	88.1	1.01	89.4	1.01	90.7	1.01	91.5	1.11	92.1	1.21	92.7	1.51	93	1.81
	10.0	73.8	1.81	79.6	1.81	83.7	1.81	86	1.81	88.2	1.81	89.7	1.91	90.9	2.01	91.9	2.31	92.4	2.61
	15.0	65.6	2.61	73.8	2.61	79.6	2.61	82.8	2.61	86	2.61	88.1	2.72	89.7	2.82	91.2	3.02	91.9	3.32
	20.0	57.7	3.42	68.3	3.42	75.8	3.42	79.7	3.42	83.8	3.42	86.5	3.42	88.6	3.62	90.5	3.82	91.4	4.12
	25.0			63	4.12	72	4.12	76.8	4.12	81.8	4.12	85	4.22	87.5	4.32	89.8	4.63	91	4.93
	30.0					68.4	4.93	74.1	4.93	79.8	4.93	83.5	5.03	86.5	5.13	89.2	5.43	90.5	5.73
	35.0							71.3	5.73	77.8	5.73	82.1	5.83	85.5	5.93	88.5	6.24	90.1	6.54
40.0									76	6.54	80.7	6.64	84.5	6.74	87.9	7.04	89.6	7.24	
120-54	5.0	107	1.31	112	1.31	116	1.31	118	1.31	120	1.31	121	1.41	123	1.51	123	1.71	124	2.01
	10.0	93	2.31	102	2.31	109	2.31	113	2.31	116	2.31	119	2.41	120	2.51	122	2.82	123	3.12
	15.0	79.8	3.42	93	3.42	102	3.42	108	3.42	113	3.42	116	3.42	119	3.62	121	3.82	122	4.12
	20.0					96.1	4.43	103	4.43	109	4.43	113	4.53	117	4.63	120	4.93	121	5.23
	25.0							98	5.43	106	5.43	111	5.53	115	5.63	119	5.93	121	6.24
	30.0									103	6.54	109	6.64	113	6.74	118	7.04	120	7.24
	35.0									99.5	7.54	106	7.64	112	7.74	117	8.05	119	8.35
40.0									96.5	8.65	104	8.65	110	8.85	116	9.05	118	9.35	
210-40	5.0	121	1.51	125	1.51	128	1.51	129	1.51	130	1.51	131	1.61	132	1.81	133	2.21	133	2.72
	10.0	111	2.61	118	2.61	122	2.61	125	2.61	128	2.61	129	2.72	131	2.92	132	3.32	132	3.82
	15.0	102	3.72	111	3.72	118	3.72	121	3.72	125	3.72	127	3.82	129	4.02	131	4.43	132	4.93
	20.0	92.9	4.83	105	4.83	113	4.83	118	4.83	123	4.83	126	4.93	128	5.13	130	5.53	131	6.03
	25.0	84.3	5.93	98.8	5.93	109	5.93	115	5.93	120	5.93	124	6.14	127	6.34	129	6.74	131	7.14
	30.0			93	7.04	105	7.04	111	7.04	118	7.04	122	7.24	126	7.44	129	7.84	130	8.25
	35.0					101	8.25	108	8.25	116	8.25	121	8.35	125	8.55	128	8.95	130	9.35
40.0							105	9.35	114	9.35	119	9.45	123	9.66	127	10.1	129	10.6	
210-46	5.0	151	1.81	156	1.81	159	1.81	161	1.81	163	1.81	165	1.91	166	2.11	166	2.51	167	2.92
	10.0	137	3.22	146	3.22	153	3.22	156	3.22	159	3.22	162	3.32	164	3.52	165	3.92	166	4.32
	15.0	124	4.63	137	4.63	146	4.63	151	4.63	156	4.63	159	4.73	162	4.93	164	5.33	165	5.73
	20.0	112	6.03	129	6.03	140	6.03	146	6.03	153	6.03	157	6.14	160	6.34	163	6.74	164	7.14
	25.0			120	7.44	134	7.44	142	7.44	150	7.44	154	7.54	158	7.74	162	8.15	164	8.55
	30.0					129	8.85	138	8.85	146	8.85	152	8.95	157	9.15	161	9.55	163	9.96
	35.0							133	10.3	143	10.3	150	10.4	155	10.6	160	11	162	11.4
40.0									141	11.7	148	11.8	154	12	159	12.4	162	12.8	
210-54	5.0	197	2.21	205	2.21	210	2.21	213	2.21	216	2.21	219	2.41	220	2.61	222	3.02	222	3.42
	10.0	174	4.12	189	4.12	199	4.12	205	4.12	210	4.12	214	4.22	217	4.43	220	4.83	221	5.33
	15.0	154	6.03	175	6.03	189	6.03	197	6.03	205	6.03	210	6.14	214	6.34	218	6.74	220	7.14
	20.0					179	7.84	189	7.84	200	7.84	206	8.05	211	8.25	216	8.65	218	9.05
	25.0							182	9.76	194	9.76	202	9.86	209	10.1	214	10.5	217	11
	30.0									189	11.7	199	11.8	206	12	213	12.4	216	12.8
	35.0									185	13.5	195	13.7	204	13.9	211	14.3	215	14.7
40.0											192	15.5	201	15.7	210	16.1	214	16.6	
280-43	5.0	175	2.21	182	2.21	186	2.21	188	2.21	191	2.21	192	2.41	193	2.72	194	3.32	195	4.02
	10.0	159	3.82	170	3.82	177	3.82	182	3.82	186	3.82	189	4.02	191	4.32	193	4.93	194	5.63
	15.0	143	5.43	159	5.43	170	5.43	176	5.43	182	5.43	186	5.63	189	5.93	192	6.64	193	7.24
	20.0	129	7.14	149	7.14	162	7.14	170	7.14	178	7.14	183	7.34	187	7.64	190	8.25	192	8.95
	25.0			139	8.75	155	8.75	165	8.75	174	8.75	180	8.95	185	9.25	189	9.86	191	10.6
	30.0					149	10.5	159	10.5	170	10.5	177	10.7	183	11	188	11.6	190	12.3
	35.0					142	12.1	154	12.1	166	12.1	174	12.3	181	12.6	187	13.2	189	13.9
40.0							149	13.7	163	13.7	172	13.9	179	14.2	185	14.8	189	15.5	
280-46	5.0	201	2.41	207	2.41	212	2.41	214	2.41	216	2.41	218	2.61	219	2.92	220	3.52	221	4.22
	10.0	185	4.22	196	4.22	203	4.22	208	4.22	212	4.22	215	4.43	217	4.73	219	5.43	220	6.03
	15.0	169	6.14	185	6.14	196	6.14	202	6.14	208	6.14	212	6.34	215	6.64	217	7.24	219	7.95
	20.0	155	7.95	174	7.95	188	7.95	196	7.95	204	7.95	209	8.15	213	8.45	216	9.15	218	9.76
	25.0			164	9.86	181	9.86	191	9.86	200	9.86	206	10.1	211	10.4	215	11	217	11.7
	30.0							185	11.8	196	11.8	203	11.9	209	12.3	214	12.9	216	13.5
	35.0							180	13.6	192	13.6	200	13.8	207	14.1	213	14.7	215	15.4
40.0									189	15.5	198	15.7	205	16	211	16.6	215	17.3	
280-54	5.0	263	3.02	273	3.02	280	3.02	283	3.02	287	3.02	290	3.22	292	3.52	293	4.12	294	4.83
	10.0	236	5.53	254	5.53	266	5.53	273	5.53	280	5.53	284	5.73	288	6.03	291	6.64	293	7.34
	15.0	212	7.95	236	7.95	254	7.95	263	7.95	273	7.95	279	8.15	284	8.45	289	9.15	291	9.76
	20.0					242	10.5	254	10.5	267	10.5	275	10.7	281	11	287	11.6	289	12.3
	25.0							246	13	260	13	270	13.2	278	13.5	285	14.1	288	14.8
	30.0									254	15.5	266	15.7	275	16	283	16.6	287	17.3
	35.0									249	17.9	261	18.1	272	18.4	281	19	285	19.7
40.0											257	20.6	269	20.9	279	21.5	284	22.2	

Values in the blue area of the table are not recommended. Blackmer reserves the right to change the data in the table without prior notice.

U.S. STANDARD		Speed n=1150 r/min																	
Size	Pressure PSI	Viscosity (mm ² /s)																	
		3		6		12		20		40		75		150		380		760	
		Flow GPM	Power HP	Flow GPM	Power HP	Flow GPM	Power HP	Flow GPM	Power HP	Flow GPM	Power HP	Flow GPM	Power HP	Flow GPM	Power HP	Flow GPM	Power HP	Flow GPM	Power HP
440-40	72.5	67.61	4.16	69.25	4.16	70.41	4.16	71.04	4.16	71.70	4.16	72.10	4.56	72.44	5.10	72.73	6.30	72.89	7.64
	145	63.10	7.24	66.05	7.24	68.16	7.24	69.30	7.24	70.46	7.24	71.20	7.64	71.81	8.18	72.34	9.39	72.60	10.86
	217.5	58.92	10.33	63.12	10.33	66.08	10.33	67.69	10.33	69.33	10.33	70.38	10.73	71.20	11.40	71.97	12.61	72.34	13.95
	290	54.96	13.41	60.32	13.41	64.10	13.41	66.16	13.41	68.22	13.41	69.59	13.81	70.65	14.48	71.62	15.69	72.10	17.03
	362.5	51.14	16.49	57.60	16.49	62.20	16.49	64.68	16.49	67.19	16.49	68.82	16.90	70.12	17.57	71.28	18.77	71.83	20.12
	435			54.99		60.35	19.71	63.25	19.71	66.16	19.71	68.09	19.98	69.59	20.65	70.94	21.86	71.62	23.20
	507.5					58.53	22.80	61.86	22.80	65.18	22.80	67.35	23.20	69.06	23.74	70.62	24.94	71.39	26.28
580						60.48	25.88	64.20	25.88	66.63	26.28	68.59	26.82	70.30	28.03	71.17	29.37		
440-46	72.5	85.51	4.96	87.78	4.96	89.36	4.96	90.24	4.96	91.11	4.96	91.66	5.36	92.11	6.03	92.53	7.24	92.72	8.58
	145	79.36	8.98	83.40	8.98	86.28	8.98	87.83	8.98	89.42	8.98	90.45	9.39	91.24	9.92	91.98	11.13	92.35	12.47
	217.5	73.66	12.87	79.38	12.87	83.42	12.87	85.64	12.87	87.86	12.87	89.28	13.28	90.45	13.81	91.48	15.02	91.98	16.49
	290	68.22	16.90	75.53	16.90	80.70	16.90	83.53	16.90	86.35	16.90	88.20	17.16	89.68	17.84	90.97	19.04	91.63	20.38
	362.5			71.86		78.12	20.79	81.50	20.79	84.93	20.79	87.17	21.19	88.94	21.72	90.53	22.93	91.30	24.27
	435					75.58	24.67	79.54	24.67	83.56	24.67	86.14	25.08	88.23	25.75	90.08	26.95	91.02	28.30
	507.5						77.64	28.70	82.21	28.70	85.17	29.10	87.52	29.64	89.63	30.84	90.68	32.18	
580							80.86	32.59	84.19	32.99	86.83	33.66	89.21	34.87	90.37	36.21			
440-52	72.5	97.57	5.77	101.16	5.77	103.70	5.77	105.10	5.77	106.50	5.77	107.40	6.03	108.11	6.71	108.77	7.91	109.08	9.25
	145	87.70	10.33	94.20	10.33	98.79	10.33	101.27	10.33	103.78	10.33	105.42	10.73	106.71	11.40	107.87	12.61	108.45	13.95
	217.5	78.59	15.02	87.75	15.02	94.22	15.02	97.73	15.02	101.30	15.02	103.59	15.42	105.44	15.96	107.08	17.16	107.90	18.51
	290			81.63		89.89	19.71	94.38	19.71	98.92	19.71	101.88	19.98	104.20	20.65	106.31	21.86	107.34	23.20
	362.5					85.72	24.27	91.16	24.27	96.62	24.27	100.19	24.67	103.01	25.34	105.57	26.55	106.81	27.89
	435							88.02	28.97	94.41	28.97	98.58	29.37	101.88	29.90	104.83	31.11	106.31	32.45
	507.5								92.27	33.66	96.99	33.93	100.77	34.60	104.15	35.80	105.81	37.15	
580									95.46	38.62	99.66	39.29	103.46	40.50	105.34	41.84			
440-54	72.5	110.22	6.30	113.81	6.30	116.34	6.30	117.74	6.30	119.14	6.30	120.04	6.57	120.75	7.24	121.41	8.45	121.73	9.79
	145	100.35	11.40	106.84	11.40	111.43	11.40	113.92	11.40	116.42	11.40	118.06	11.80	119.35	12.47	120.54	13.68	121.10	15.02
	217.5	91.24	16.63	100.40	16.63	106.87	16.63	110.38	16.63	113.94	16.63	116.24	17.03	118.09	17.57	119.72	18.77	120.54	20.12
	290					102.54	21.86	107.03	21.86	111.57	21.86	114.52	22.13	116.85	22.80	118.96	24.00	119.99	25.34
	362.5							103.80	26.95	109.27	26.95	112.86	27.36	115.68	28.03	118.22	29.23	119.46	30.57
	435									107.08	32.18	111.22	32.59	114.52	33.12	117.48	34.33	118.96	35.67
	507.5								104.91	37.41	109.64	37.68	113.41	38.35	116.79	39.56	118.46	40.90	
580									108.11	42.91	112.33	43.58	116.11	44.79	117.98	46.13			
660-40	72.5	105.52	6.30	107.74	6.30	109.30	6.30	110.14	6.30	110.99	6.30	111.54	6.84	111.99	7.78	112.38	9.52	112.57	11.40
	145	99.50	11.13	103.46	11.13	106.26	11.13	107.79	11.13	109.32	11.13	110.33	11.67	111.12	12.47	111.83	14.21	112.20	16.23
	217.5	93.93	15.82	99.53	15.82	103.49	15.82	105.65	15.82	107.82	15.82	109.22	16.49	110.35	17.30	111.36	19.04	111.83	20.92
	290	88.62	20.65	95.78	20.65	100.85	20.65	103.59	20.65	106.37	20.65	108.16	21.19	109.59	22.13	110.88	23.87	111.51	25.75
	362.5			92.19		98.29	25.48	101.61	25.48	104.97	25.48	107.13	26.02	108.87	26.82	110.43	28.56	111.20	30.57
	435					95.81	30.17	99.69	30.17	103.62	30.17	106.15	30.84	108.16	31.65	109.98	33.39	110.88	35.27
	507.5					93.40	35.00	97.84	35.00	102.27	35.00	105.18	35.54	107.50	36.48	109.56	38.22	110.56	40.10
580							95.99	39.83	100.98	39.83	104.25	40.36	106.81	41.17	109.14	42.91	110.27	44.92	
660-44	72.5	118.40	6.97	121.41	6.97	123.55	6.97	124.71	6.97	125.88	6.97	126.64	7.51	127.25	8.45	127.78	10.19	128.04	12.07
	145	110.17	12.47	115.58	12.47	119.43	12.47	121.52	12.47	123.63	12.47	124.98	13.01	126.09	13.81	127.04	15.56	127.54	17.57
	217.5	102.54	17.84	110.19	17.84	115.61	17.84	118.56	17.84	121.52	17.84	123.47	18.37	125.00	19.31	126.38	21.05	127.06	22.93
	290			105.07		111.99	23.33	115.76	23.33	119.54	23.33	122.02	23.87	123.97	24.67	125.72	26.42	126.59	28.43
	362.5					108.50	28.70	113.04	28.70	117.64	28.70	120.62	29.37	123.00	30.17	125.11	31.92	126.17	33.79
	435					105.12	34.20	110.43	34.20	115.79	34.20	119.28	34.73	122.02	35.67	124.50	37.41	125.74	39.29
	507.5							107.87	39.69	113.97	39.69	117.96	40.23	121.10	41.03	123.92	42.78	125.32	44.79
580								112.20	45.06	116.66	45.59	120.17	46.53	123.34	48.28	124.92	50.15		
660-46	72.5	128.86	7.38	131.87	7.38	133.98	7.38	135.14	7.38	136.30	7.38	137.07	7.91	137.68	8.85	138.20	10.59	138.49	12.47
	145	120.60	13.28	126.03	13.28	129.86	13.28	131.95	13.28	134.06	13.28	135.43	13.81	136.51	14.75	137.49	16.49	137.97	18.37
	217.5	112.97	19.18	120.62	19.18	126.06	19.18	128.99	19.18	131.97	19.18	133.90	19.71	135.43	20.65	136.80	22.39	137.49	24.27
	290			115.50		122.42	25.08	126.19	25.08	129.99	25.08	132.45	25.61	134.40	26.55	136.17	28.30	137.04	30.17
	362.5					118.93	30.98	123.50	30.98	128.07	30.98	131.05	31.51	133.43	32.45	135.54	34.06	136.59	36.07
	435							120.86	36.88	126.22	36.88	129.70	37.41	132.48	38.22	134.93	39.96	136.17	41.97
	507.5								124.40	42.78	128.38	43.31	131.52	44.12	134.35	45.86	135.75	47.87	
580								122.63	48.68	127.09	49.21	130.63	50.02	133.77	51.76	135.35	53.77		
660-51	72.5	148.82	8.45	153.62	8.45	157.03	8.45	158.88	8.45	160.72	8.45	161.94	9.12	162.89	9.92	163.20	11.67	164.18	13.68
	145	135.64	15.56	144.30	15.56	150.43	15.56	153.75	15.56	157.13	15.56	159.30	16.09	161.04	16.90	162.60	18.64	163.36	20.65
	217.5	123.47	22.53	135.70	22.53	144.36	22.53	149.05	22.53	153.78	22.53	156.87	23.07	159.32	23.87	161.52	25.61	162.60	27.62
	290					138.57	29.50	144.57	29.50	150.61	29.50	154.55	30.04	157.69	30.98	160.49	32.72	161.86	34.60
	362.5							140.26	36.48	147.58	36.48	152.33	37.01	156.10	37.95	159.48	39.69	161.17	41.57
	435									144.62	43.45	150.16	43.98	154.57	44.92	158.53	46.67	160.49	48.54
	507.5								141.74	50.42	148.08	51.09	153.09	51.90	157.61	53.64	159.83	55.52	
580									145.99	58.07	151.64	58.87	156.68	60.61	159.19	62.62			

Values in the grey area of the table are not recommended. Blackmer reserves the right to change the data in the table without prior notice.

Speed n=1150 r/min

METRIC

Size	Pressure ΔP Bar	Viscosity (mm ² /s)																	
		3		6		12		20		40		75		150		380		760	
		Flow L/min	Power kW	Flow L/min	Power kW	Flow L/min	Power kW	Flow L/min	Power kW	Flow L/min	Power kW	Flow L/min	Power kW	Flow L/min	Power kW	Flow L/min	Power kW	Flow L/min	Power kW
440-40	5.0	256	3.12	262	3.12	267	3.12	269	3.12	271	3.12	273	3.42	274	3.82	275	4.73	276	5.73
	10.0	239	5.43	250	5.43	258	5.43	262	5.43	267	5.43	270	5.73	272	6.14	274	7.04	275	8.15
	15.0	223	7.74	239	7.74	250	7.74	256	7.74	262	7.74	266	8.05	270	8.55	272	9.45	274	10.5
	20.0	208	10.1	228	10.1	243	10.1	250	10.1	258	10.1	263	10.4	267	10.9	271	11.8	273	12.8
	25.0	194	12.4	218	12.4	235	12.4	245	12.4	254	12.4	261	12.7	265	13.2	270	14.1	272	15.1
	30.0			208	14.8	228	14.8	239	14.8	250	14.8	258	15	263	15.5	269	16.4	271	17.4
	35.0					222	17.1	234	17.1	247	17.1	255	17.4	261	17.8	267	18.7	270	19.7
	40.0						229	19.4	243	19.4	252	19.7	260	20.1	266	21	269	22	
440-46	5.0	324	3.72	332	3.72	338	3.72	342	3.72	345	3.72	347	4.02	349	4.53	350	5.43	351	6.44
	10.0	300	6.74	316	6.74	327	6.74	332	6.74	338	6.74	342	7.04	345	7.44	348	8.35	350	9.35
	15.0	279	9.66	301	9.66	316	9.66	324	9.66	333	9.66	338	9.96	342	10.4	346	11.3	348	12.4
	20.0	258	12.7	286	12.7	306	12.7	316	12.7	327	12.7	334	12.9	339	13.4	344	14.3	347	15.3
	25.0			272	15.6	296	15.6	308	15.6	321	15.6	330	15.9	337	16.3	343	17.2	346	18.2
	30.0					286	18.5	301	18.5	316	18.5	326	18.8	334	19.3	341	20.2	344	21.2
	35.0							294	21.5	311	21.5	322	21.8	331	22.2	339	23.1	343	24.1
	40.0								306	24.4	319	24.7	329	25.2	338	26.1	342	27.2	
440-52	5.0	369	4.32	383	4.32	393	4.32	398	4.32	403	4.32	407	4.53	409	5.03	412	5.93	413	6.94
	10.0	332	7.74	357	7.74	374	7.74	383	7.74	393	7.74	399	8.05	404	8.55	408	9.45	411	10.5
	15.0	298	11.3	332	11.3	357	11.3	370	11.3	383	11.3	392	11.6	399	12	405	12.9	408	13.9
	20.0			309	14.8	340	14.8	357	14.8	374	14.8	386	15	394	15.5	402	16.4	406	17.4
	25.0					324	18.2	345	18.2	366	18.2	379	18.5	390	19	400	19.9	404	20.9
	30.0							333	21.7	357	21.7	373	22	386	22.4	397	23.3	402	24.3
	35.0									349	25.2	367	25.4	381	25.9	394	26.9	401	27.9
	40.0										361	29	377	29.5	392	30.4	399	31.4	
440-54	5.0	417	4.73	431	4.73	440	4.73	446	4.73	451	4.73	454	4.93	457	5.43	460	6.34	461	7.34
	10.0	380	8.55	404	8.55	422	8.55	431	8.55	441	8.55	447	8.85	452	9.35	456	10.3	458	11.3
	15.0	345	12.5	380	12.5	405	12.5	418	12.5	431	12.5	440	12.8	447	13.2	453	14.1	456	15.1
	20.0					388	16.4	405	16.4	422	16.4	434	16.6	442	17.1	450	18	454	19
	25.0							393	20.2	414	20.2	427	20.5	438	21	448	21.9	452	22.9
	30.0									405	24.1	421	24.4	434	24.8	445	25.7	450	26.8
	35.0									397	28.1	415	28.3	429	28.8	442	29.7	448	30.7
	40.0										409	32.2	425	32.7	440	33.6	447	34.6	
660-40	5.0	399	4.73	408	4.73	414	4.73	417	4.73	420	4.73	422	5.13	424	5.83	425	7.14	426	8.55
	10.0	377	8.35	392	8.35	402	8.35	408	8.35	414	8.35	418	8.75	421	9.35	423	10.7	425	12.2
	15.0	356	11.9	377	11.9	392	11.9	400	11.9	408	11.9	413	12.4	418	13	422	14.3	423	15.7
	20.0	335	15.5	363	15.5	382	15.5	392	15.5	403	15.5	409	15.9	415	16.6	420	17.9	422	19.3
	25.0			349	19.1	372	19.1	385	19.1	397	19.1	406	19.5	412	20.1	418	21.4	421	22.9
	30.0					363	22.6	377	22.6	392	22.6	402	23.1	409	23.7	416	25	420	26.5
	35.0					354	26.3	370	26.3	387	26.3	398	26.7	407	27.4	415	28.7	419	30.1
	40.0							363	29.9	382	29.9	395	30.3	404	30.9	413	32.2	417	33.7
660-44	5.0	448	5.23	460	5.23	468	5.23	472	5.23	476	5.23	479	5.63	482	6.34	484	7.64	485	9.05
	10.0	417	9.35	438	9.35	452	9.35	460	9.35	468	9.35	473	9.76	477	10.4	481	11.7	483	13.2
	15.0	388	13.4	417	13.4	438	13.4	449	13.4	460	13.4	467	13.8	473	14.5	478	15.8	481	17.2
	20.0			398	17.5	424	17.5	438	17.5	453	17.5	462	17.9	469	18.5	476	19.8	479	21.3
	25.0					411	21.5	428	21.5	445	21.5	457	22	466	22.6	474	23.9	478	25.3
	30.0					398	25.6	418	25.6	438	25.6	452	26	462	26.8	471	28.1	476	29.5
	35.0							408	29.8	431	29.8	447	30.2	458	30.8	469	32.1	474	33.6
	40.0								425	33.8	442	34.2	455	34.9	467	36.2	473	37.6	
660-46	5.0	488	5.53	499	5.53	507	5.53	512	5.53	516	5.53	519	5.93	521	6.64	523	7.95	524	9.35
	10.0	457	9.96	477	9.96	492	9.96	499	9.96	507	9.96	513	10.4	517	11.1	520	12.4	522	13.8
	15.0	428	14.4	457	14.4	477	14.4	488	14.4	500	14.4	507	14.8	513	15.5	518	16.8	520	18.2
	20.0			437	18.8	463	18.8	478	18.8	492	18.8	501	19.2	509	19.9	515	21.2	519	22.6
	25.0					450	23.2	467	23.2	485	23.2	496	23.6	505	24.3	513	25.5	517	27.1
	30.0							458	27.7	478	27.7	491	28.1	501	28.7	511	30	515	31.5
	35.0									471	32.1	486	32.5	498	33.1	509	34.4	514	35.9
	40.0									464	36.5	481	36.9	494	37.5	506	38.8	512	40.3
660-51	5.0	563	6.34	582	6.34	594	6.34	601	6.34	608	6.34	613	6.84	617	7.44	620	8.75	621	10.3
	10.0	513	11.7	546	11.7	569	11.7	582	11.7	595	11.7	603	12.1	610	12.7	615	14	618	15.5
	15.0	467	16.9	514	16.9	546	16.9	564	16.9	582	16.9	594	17.3	603	17.9	611	19.2	615	20.7
	20.0					525	22.1	547	22.1	570	22.1	585	22.5	597	23.2	608	24.5	613	25.9
	25.0							531	27.4	559	27.4	577	27.8	591	28.5	604	29.8	610	31.2
	30.0									547	32.6	568	33	585	33.7	600	35	608	36.4
	35.0									537	37.8	561	38.3	580	38.9	597	40.2	605	41.6
	40.0										553	43.5	574	44.2	593	45.5	603	47	

Values in the blue area of the table are not recommended. Blackmer reserves the right to change the data in the table without prior notice.

U.S. STANDARD

Speed n=1150 r/min

Size	Pressure PSI	Viscosity (mm ² /s)																	
		3		6		12		20		40		75		150		380		760	
		Flow GPM	Power HP	Flow GPM	Power HP	Flow GPM	Power HP	Flow GPM	Power HP	Flow GPM	Power HP	Flow GPM	Power HP	Flow GPM	Power HP	Flow GPM	Power HP	Flow GPM	Power HP
660-54	72.5	166.21	9.25	171.02	9.25	174.40	9.25	176.25	9.25	178.12	9.25	179.34	9.79	180.29	10.73	181.16	12.47	181.58	14.35
	145	153.04	17.03	161.70	17.03	167.82	17.03	171.15	17.03	174.50	17.03	176.70	17.57	178.44	18.37	179.97	20.12	180.76	22.13
	217.5			153.09	24.67	161.75	24.67	166.45	24.67	171.18	24.67	174.27	25.21	176.70	26.15	178.91	27.89	180.00	29.77
	290					155.97	32.45	161.96	32.45	168.01	32.45	171.94	32.99	175.06	33.79	177.88	35.54	179.26	37.55
	362.5							157.66	40.23	164.97	40.23	169.73	40.77	173.50	41.57	176.88	43.31	178.57	45.33
	435									162.02	47.87	167.56	48.41	171.97	49.35	175.93	51.09	177.88	52.97
	507.5											165.45	56.19	170.49	56.99	174.98	58.74	177.22	60.75
580													169.01	64.77	174.08	66.51	176.56	68.39	
940-42	72.5	151.80	9.12	155.68	9.12	158.43	9.12	159.93	9.12	161.44	9.12	162.41	9.92	163.20	11.26	163.89	13.68	164.23	16.49
	145	141.13	16.09	148.16	16.09	153.12	16.09	155.81	16.09	158.53	16.09	160.30	16.90	161.70	18.24	162.94	20.65	163.57	23.47
	217.5	131.29	23.20	141.19	23.20	148.18	23.20	151.98	23.20	155.81	23.20	158.32	24.00	160.30	25.21	162.07	27.62	162.97	30.44
	290	121.92	30.17	134.56	30.17	143.51	30.17	148.37	30.17	153.25	30.17	156.45	30.98	158.98	32.18	161.25	34.60	162.36	37.41
	362.5			128.20	37.15	139.00	37.15	144.88	37.15	150.80	37.15	154.65	37.95	157.71	39.16	160.43	41.71	161.81	44.39
	435					134.61	44.12	141.48	44.12	148.39	44.12	152.91	44.92	156.47	46.13	159.67	48.68	161.25	51.36
	507.5							138.18	51.09	146.07	51.09	151.19	51.90	155.26	53.10	158.90	55.65	160.72	58.47
580									143.77	58.07	149.53	58.87	154.07	60.08	158.16	62.62	160.20	65.44	
940-46	72.5	184.83	10.59	188.71	10.59	191.45	10.59	192.96	10.59	194.46	10.59	195.44	11.40	196.23	12.61	196.92	15.15	197.26	17.84
	145	174.16	18.91	181.16	18.91	186.12	18.91	188.81	18.91	191.53	18.91	193.30	19.71	194.70	20.92	195.97	23.47	196.60	26.28
	217.5	164.29	27.36	174.19	27.36	181.21	27.36	185.01	27.36	188.84	27.36	191.35	28.16	193.33	29.37	195.10	31.92	195.97	34.60
	290			167.59	35.67	176.51	35.67	181.39	35.67	186.28	35.67	189.47	36.48	191.98	37.82	194.25	40.23	195.39	43.05
	362.5					172.02	44.12	177.88	44.12	183.80	44.12	187.65	44.92	190.71	46.13	193.46	48.68	194.83	51.36
	435							174.50	52.43	181.42	52.43	185.91	53.24	189.47	54.58	192.69	56.99	194.28	59.81
	507.5									179.07	60.88	184.22	61.69	188.28	62.89	191.93	65.44	193.72	68.12
580									176.80	69.20	182.53	70.00	187.10	71.34	191.19	73.76	193.22	76.57	
940-50	72.5	204.36	11.67	210.59	11.67	215.00	11.67	217.38	11.67	219.81	11.67	221.36	12.47	222.60	13.81	223.71	16.23	224.27	19.04
	145	187.33	21.32	198.55	21.32	206.47	21.32	210.78	21.32	215.13	21.32	217.96	22.13	220.20	23.33	222.21	25.75	223.21	28.56
	217.5	171.57	30.84	187.41	30.84	198.61	30.84	204.68	30.84	210.80	30.84	214.82	31.65	217.96	32.85	220.81	35.40	222.21	38.08
	290			176.83	40.36	191.11	40.36	198.90	40.36	206.71	40.36	211.81	41.17	215.85	42.38	219.49	44.92	221.28	47.74
	362.5					183.90	49.89	193.30	49.89	202.78	49.89	208.93	50.69	213.81	52.03	218.20	54.44	220.36	57.26
	435									198.95	59.54	206.13	60.35	211.83	61.55	216.96	63.97	219.49	66.78
	507.5									195.20	69.06	203.41	69.87	209.91	71.07	215.74	73.62	218.64	76.30
580									191.56	78.58	200.75	79.39	208.03	80.59	214.55	83.14	217.80	85.82	
940-54	72.5	242.88	13.41	249.11	13.41	253.52	13.41	255.90	13.41	258.32	13.41	259.88	14.21	261.12	15.42	262.23	17.84	262.79	20.65
	145	225.85	24.54	237.07	24.54	244.99	24.54	249.30	24.54	253.65	24.54	256.48	25.34	258.72	26.55	260.73	29.10	261.73	31.78
	217.5			225.93	35.67	237.12	35.67	243.20	35.67	249.32	35.67	253.33	36.48	256.48	37.82	259.33	40.23	260.73	43.05
	290					229.63	46.94	237.42	46.94	245.23	46.94	250.32	47.74	254.36	48.95	258.01	51.49	259.80	54.18
	362.5							231.82	58.07	241.30	58.07	247.45	58.87	252.33	60.08	256.71	62.62	258.88	65.44
	435									237.47	69.20	244.65	70.00	250.35	71.34	255.47	73.76	258.01	76.57
	507.5											241.93	81.26	248.42	82.47	254.26	85.02	257.16	87.70
580													246.55	93.60	253.07	96.15	256.32	98.97	

Values in the grey area of the table are not recommended. Blackmer reserves the right to change the data in the table without prior notice.

Speed n=1150 r/min

METRIC

Size	Pressure ΔP Bar	Viscosity (mm ² /s)																	
		3		6		12		20		40		75		150		380		760	
		Flow L/min	Power kW	Flow L/min	Power kW	Flow L/min	Power kW	Flow L/min	Power kW	Flow L/min	Power kW	Flow L/min	Power kW	Flow L/min	Power kW	Flow L/min	Power kW	Flow L/min	Power kW
660-54	5.0	629	6.94	647	6.94	660	6.94	667	6.94	674	6.94	679	7.34	682	8.05	686	9.35	687	10.8
	10.0	579	12.8	612	12.8	635	12.8	648	12.8	661	12.8	669	13.2	675	13.8	681	15.1	684	16.6
	15.0			580	18.5	612	18.5	630	18.5	648	18.5	660	18.9	669	19.6	677	20.9	681	22.3
	20.0					590	24.3	613	24.3	636	24.3	651	24.7	663	25.3	673	26.7	679	28.2
	25.0							597	30.2	624	30.2	642	30.6	657	31.2	670	32.5	676	34
	30.0									624	35.9	634	36.3	651	37	666	38.3	673	39.7
	35.0											626	42.1	645	42.7	662	44.1	671	45.6
40.0													640	48.6	659	49.9	668	51.3	
940-42	5.0	575	6.84	589	6.84	600	6.84	605	6.84	611	6.84	615	7.44	618	8.45	620	10.3	622	12.4
	10.0	534	12.1	561	12.1	580	12.1	590	12.1	600	12.1	607	12.7	612	13.7	617	15.5	619	17.6
	15.0	497	17.4	534	17.4	561	17.4	575	17.4	590	17.4	599	18	607	18.9	614	20.7	617	22.8
	20.0	461	22.6	509	22.6	543	22.6	562	22.6	580	22.6	592	23.2	602	24.1	610	25.9	615	28.1
	25.0			485	27.9	526	27.9	548	27.9	571	27.9	585	28.5	597	29.4	607	31.3	613	33.3
	30.0					510	33.1	536	33.1	562	33.1	579	33.7	592	34.6	604	36.5	610	38.5
	35.0							523	38.3	553	38.3	572	38.9	588	39.8	602	41.7	608	43.9
40.0									544	43.5	566	44.2	583	45.1	599	47	606	49.1	
940-46	5.0	700	7.95	714	7.95	725	7.95	730	7.95	736	7.95	740	8.55	743	9.45	745	11.4	747	13.4
	10.0	659	14.2	686	14.2	705	14.2	715	14.2	725	14.2	732	14.8	737	15.7	742	17.6	744	19.7
	15.0	622	20.5	659	20.5	686	20.5	700	20.5	715	20.5	724	21.1	732	22	739	23.9	742	25.9
	20.0			634	26.8	668	26.8	687	26.8	705	26.8	717	27.4	727	28.4	735	30.2	740	32.3
	25.0					651	33.1	673	33.1	696	33.1	710	33.7	722	34.6	732	36.5	738	38.5
	30.0							661	39.3	687	39.3	704	39.9	717	40.9	729	42.7	735	44.9
	35.0									678	45.7	697	46.3	713	47.2	727	49.1	733	51.1
40.0									669	51.9	691	52.5	708	53.5	724	55.3	731	57.4	
940-50	5.0	774	8.75	797	8.75	814	8.75	823	8.75	832	8.75	838	9.35	843	10.4	847	12.2	849	14.3
	10.0	709	16	752	16	782	16	798	16	814	16	825	16.6	834	17.5	841	19.3	845	21.4
	15.0	649	23.1	709	23.1	752	23.1	775	23.1	798	23.1	813	23.7	825	24.6	836	26.6	841	28.6
	20.0			669	30.3	723	30.3	753	30.3	782	30.3	802	30.9	817	31.8	831	33.7	838	35.8
	25.0					696	37.4	732	37.4	768	37.4	791	38	809	39	826	40.8	834	42.9
	30.0									753	44.7	780	45.3	802	46.2	821	48	831	50.1
	35.0									739	51.8	770	52.4	795	53.3	817	55.2	828	57.2
40.0									725	58.9	760	59.5	787	60.4	812	62.4	824	64.4	
940-54	5.0	919	10.1	943	10.1	960	10.1	969	10.1	978	10.1	984	10.7	988	11.6	993	13.4	995	15.5
	10.0	855	18.4	897	18.4	927	18.4	944	18.4	960	18.4	971	19	979	19.9	987	21.8	991	23.8
	15.0			855	26.8	898	26.8	921	26.8	944	26.8	959	27.4	971	28.4	982	30.2	987	32.3
	20.0					869	35.2	899	35.2	928	35.2	948	35.8	963	36.7	977	38.6	983	40.6
	25.0							878	43.5	913	43.5	937	44.2	955	45.1	972	47	980	49.1
	30.0									899	51.9	926	52.5	948	53.5	967	55.3	977	57.4
	35.0											916	60.9	940	61.9	962	63.8	973	65.8
40.0													933	70.2	958	72.1	970	74.2	

Values in the blue area of the table are not recommended. Blackmer reserves the right to change the data in the table without prior notice.

U.S. STANDARD

Speed n=1450 r/min

Size	Pressure PSI	Viscosity (mm ² /s)																	
		3		6		12		20		40		75		150		380		760	
		Flow GPM	Power HP	Flow GPM	Power HP	Flow GPM	Power HP	Flow GPM	Power HP	Flow GPM	Power HP	Flow GPM	Power HP	Flow GPM	Power HP	Flow GPM	Power HP	Flow GPM	Power HP
40-38	72.5	7.39	0.54	7.68	0.54	7.92	0.54	8.03	0.54	8.13	0.54	8.21	0.67	8.26	0.80	8.34	0.94	8.37	1.21
	145	6.57	0.94	7.10	0.94	7.50	0.94	7.71	0.94	7.92	0.94	8.05	0.94	8.16	1.07	8.26	1.34	8.32	1.61
	217.5	5.81	1.21	6.57	1.21	7.13	1.21	7.42	1.21	7.71	1.21	7.89	1.34	8.05	1.48	8.18	1.74	8.26	2.01
	290	5.10	1.61	6.07	1.61	6.76	1.61	7.13	1.61	7.50	1.61	7.76	1.74	7.95	1.88	8.13	2.01	8.21	2.28
	362.5	4.38	2.01	5.57	2.01	6.42	2.01	6.86	2.01	7.31	2.01	7.60	2.01	7.84	2.15	8.05	2.41	8.16	2.68
	435	3.72	2.28	5.10	2.28	6.07	2.28	6.60	2.28	7.13	2.28	7.47	2.41	7.76	2.55	8.00	2.82	8.13	2.95
	507.5			4.62	2.68	5.73	2.68	6.34	2.68	6.94	2.68	7.34	2.82	7.66	2.95	7.95	3.08	8.08	3.35
580			4.17	3.08	5.41	3.08	6.10	3.08	6.78	3.08	7.21	3.08	7.58	3.22	7.89	3.49	8.05	3.75	
40-46	72.5	9.85	0.67	10.24	0.67	10.53	0.67	10.69	0.67	10.85	0.67	10.96	0.80	11.04	0.80	11.11	1.07	11.14	1.34
	145	8.71	1.21	9.45	1.21	9.98	1.21	10.24	1.21	10.53	1.21	10.72	1.21	10.88	1.34	11.01	1.61	11.06	1.88
	217.5	7.68	1.61	8.71	1.61	9.45	1.61	9.85	1.61	10.27	1.61	10.51	1.74	10.72	1.88	10.90	2.01	11.01	2.28
	290	6.71	2.15	8.03	2.15	8.98	2.15	9.48	2.15	9.98	2.15	10.32	2.15	10.59	2.28	10.82	2.55	10.96	2.82
	362.5	5.76	2.55	7.37	2.55	8.50	2.55	9.11	2.55	9.74	2.55	10.14	2.68	10.45	2.82	10.74	2.95	10.88	3.22
	435			6.71	3.08	8.03	3.08	8.76	3.08	9.48	3.08	9.95	3.08	10.32	3.22	10.67	3.49	10.82	3.75
	507.5					7.60	3.49	8.42	3.49	9.24	3.49	9.77	3.62	10.19	3.75	10.59	3.89	10.77	4.16
580					7.15	4.02	8.08	4.02	9.00	4.02	9.61	4.02	10.08	4.16	10.51	4.43	10.72	4.69	
40-54	72.5	12.86	0.80	13.52	0.80	13.97	0.80	14.23	0.80	14.47	0.80	14.65	0.94	14.78	1.07	14.89	1.21	14.94	1.48
	145	11.06	1.48	12.25	1.48	13.07	1.48	13.54	1.48	13.99	1.48	14.28	1.61	14.52	1.61	14.73	1.88	14.84	2.15
	217.5	9.42	2.15	11.09	2.15	12.25	2.15	12.88	2.15	13.54	2.15	13.97	2.15	14.28	2.28	14.57	2.55	14.73	2.82
	290			9.98	2.82	11.46	2.82	12.28	2.82	13.09	2.82	13.65	2.82	14.07	2.95	14.44	3.22	14.63	3.49
	362.5					10.72	3.35	11.70	3.35	12.70	3.35	13.33	3.49	13.86	3.62	14.31	3.75	14.55	4.02
	435							11.14	4.02	12.30	4.02	13.04	4.16	13.65	4.16	14.18	4.43	14.44	4.69
	507.5							10.59	4.69	11.91	4.69	12.75	4.69	13.44	4.83	14.04	5.10	14.36	5.36
580									11.51	5.36	12.49	5.36	13.25	5.50	13.94	5.77	14.26	6.03	
80-36	72.5	13.70	0.94			14.52	0.94	14.70	0.94	14.89	0.94	15.02	1.07	15.13	1.21	15.21	1.48	15.23	1.88
	145	12.36	1.61	13.25	1.61	13.86	1.61	14.20	1.61	14.52	1.61	14.76	1.74	14.92	1.88	15.07	2.15	15.15	2.55
	217.5	11.14	2.28	12.38	2.28	13.25	2.28	13.73	2.28	14.20	2.28	14.52	2.28	14.76	2.55	14.97	2.82	15.07	3.22
	290	9.98	2.82	11.54	2.82	12.67	2.82	13.28	2.82	13.89	2.82	14.28	2.95	14.60	3.08	14.86	3.49	15.02	3.89
	362.5	8.84	3.49	10.74	3.49	12.09	3.49	12.83	3.49	13.57	3.49	14.04	3.62	14.44	3.75	14.78	4.16	14.94	4.43
	435	7.76	4.16	9.98	4.16	11.56	4.16	12.41	4.16	13.28	4.16	13.83	4.29	14.28	4.43	14.68	4.83	14.86	5.10
	507.5	6.71	4.83	9.24	4.83	11.04	4.83	11.99	4.83	12.99	4.83	13.62	4.96	14.12	5.10	14.57	5.36	14.81	5.77
580			8.50	5.50	10.51	5.50	11.59	5.50	12.70	5.50	13.41	5.63	13.99	5.77	14.49	6.03	14.73	6.44	
80-42	72.5	16.37	1.07	17.03	1.07	17.50	1.07	17.77	1.07	18.00	1.07	18.19	1.21	18.32	1.34	18.43	1.61	18.51	2.01
	145	14.55	1.88	15.73	1.88	16.61	1.88	17.05	1.88	17.53	1.88	17.82	2.01	18.06	2.15	18.27	2.41	18.37	2.82
	217.5	12.86	2.68	14.55	2.68	15.76	2.68	16.39	2.68	17.05	2.68	17.48	2.82	17.82	2.95	18.14	3.22	18.27	3.62
	290	11.27	3.49	13.41	3.49	14.94	3.49	15.79	3.49	16.63	3.49	17.16	3.49	17.61	3.75	17.98	4.02	18.16	4.43
	362.5	9.72	4.29	12.33	4.29	14.18	4.29	15.18	4.29	16.21	4.29	16.84	4.29	17.37	4.43	17.85	4.83	18.08	5.23
	435			11.27	4.96	13.44	4.96	14.60	4.96	15.79	4.96	16.55	5.10	17.16	5.23	17.71	5.63	17.98	5.90
	507.5			10.24	5.77	12.70	5.77	14.04	5.77	15.39	5.77	16.26	5.90	16.95	6.03	17.58	6.44	17.90	6.71
580					11.99	6.57	13.49	6.57	15.00	6.57	15.97	6.71	16.76	6.84	17.45	7.24	17.79	7.51	
80-46	72.5	19.67	1.21	20.33	1.21	20.80	1.21	21.04	1.21	21.30	1.21	21.46	1.34	21.60	1.48	21.73	1.74	21.78	2.15
	145	17.85	2.15	19.03	2.15	19.88	2.15	20.35	2.15	20.80	2.15	21.12	2.28	21.36	2.41	21.57	2.68	21.67	3.08
	217.5	16.16	3.08	17.85	3.08	19.03	3.08	19.69	3.08	20.35	3.08	20.78	3.22	21.12	3.35	21.41	3.62	21.57	4.02
	290	14.55	4.02	16.71	4.02	18.24	4.02	19.06	4.02	19.91	4.02	20.46	4.16	20.88	4.29	21.28	4.56	21.46	4.96
	362.5	13.02	4.96	15.63	4.96	17.48	4.96	18.48	4.96	19.48	4.96	20.14	4.96	20.67	5.23	21.15	5.50	21.36	5.90
	435			14.57	5.90	16.71	5.90	17.90	5.90	19.09	5.90	19.85	5.90	20.46	6.17	21.01	6.44	21.28	6.84
	507.5					16.00	6.84	17.32	6.84	18.66	6.84	19.56	6.84	20.25	7.11	20.88	7.38	21.17	7.78
580							16.79	7.64	18.30	7.64	19.27	7.78	20.04	7.91	20.75	8.31	21.09	8.72	
80-54	72.5	25.42	1.48	26.48	1.48	27.24	1.48	27.64	1.48	28.06	1.48	28.33	1.61	28.54	1.74	28.72	2.15	28.83	2.41
	145	22.52	2.68	24.42	2.68	25.79	2.68	26.53	2.68	27.27	2.68	27.75	2.82	28.12	2.95	28.49	3.35	28.64	3.62
	217.5	19.83	4.02	22.52	4.02	24.45	4.02	25.48	4.02	26.53	4.02	27.22	4.02	27.75	4.29	28.22	4.56	28.49	4.96
	290			20.70	5.23	23.15	5.23	24.47	5.23	25.82	5.23	26.69	5.36	27.38	5.50	28.01	5.77	28.30	6.17
	362.5					21.91	6.44	23.52	6.44	25.16	6.44	26.19	6.57	27.03	6.71	27.80	6.97	28.17	7.38
	435							22.60	7.64	24.50	7.64	25.71	7.78	26.69	7.91	27.56	8.31	28.01	8.58
	507.5							21.70	8.85	23.87	8.85	25.26	8.98	26.37	9.12	27.38	9.52	27.85	9.79
580									23.23	10.06	24.79	10.19	26.06	10.33	27.17	10.73	27.72	11.13	
120-42	72.5	23.44	1.61	24.29	1.61	24.90	1.61	25.24	1.61	25.56	1.61	25.77	1.74	25.95	2.01	26.11	2.55	26.19	3.22
	145	21.09	2.68	22.62	2.68	23.73	2.68	24.31	2.68	24.92	2.68	25.32	2.95	25.61	3.22	25.90	3.75	26.03	4.29
	217.5	18.90	3.89	21.09	3.89	22.65	3.89	23.47	3.89	24.31	3.89	24.87	4.02	25.32	4.29	25.71	4.83	25.9	

Speed n=1450 r/min

METRIC

Size	Pressure ΔP Bar	Viscosity (mm ² /s)																	
		3		6		12		20		40		75		150		380		760	
		Flow L/min	Power kW	Flow L/min	Power kW	Flow L/min	Power kW	Flow L/min	Power kW	Flow L/min	Power kW	Flow L/min	Power kW	Flow L/min	Power kW	Flow L/min	Power kW	Flow L/min	Power kW
40-38	5.0	28.0	0.40	29.1	0.40	30.0	0.40	30.4	0.40	30.8	0.40	31.1	0.50	31.3	0.60	31.6	0.70	31.7	0.90
	10.0	24.9	0.7	26.9	0.7	28.4	0.7	29.2	0.7	30	0.7	30.5	0.7	30.9	0.8	31.3	1	31.5	1.2
	15.0	22	0.9	24.9	0.9	27	0.9	28.1	0.9	29.2	0.9	29.9	1	30.5	1.1	31	1.3	31.3	1.5
	20.0	19.3	1.2	23	1.2	25.6	1.2	27	1.2	28.4	1.2	29.4	1.3	30.1	1.4	30.8	1.5	31.1	1.7
	25.0	16.6	1.5	21.1	1.5	24.3	1.5	26	1.5	27.7	1.5	28.8	1.5	29.7	1.6	30.5	1.8	30.9	2
	30.0	14.1	1.7	19.3	1.7	23	1.7	25	1.7	27	1.7	28.3	1.8	29.4	1.9	30.3	2.1	30.8	2.2
	35.0			17.5	2	21.7	2	24	2	26.3	2	27.8	2.1	29	2.2	30.1	2.3	30.6	2.5
	40.0			15.8	2.3	20.5	2.3	23.1	2.3	25.7	2.3	27.3	2.3	28.7	2.4	29.9	2.6	30.5	2.8
40-46	5.0	37.3	0.5	38.8	0.5	39.9	0.5	40.5	0.5	41.1	0.5	41.5	0.6	41.8	0.6	42.1	0.8	42.2	1
	10.0	33	0.9	35.8	0.9	37.8	0.9	38.8	0.9	39.9	0.9	40.6	0.9	41.2	1	41.7	1.2	41.9	1.4
	15.0	29.1	1.2	33	1.2	35.8	1.2	37.3	1.2	38.9	1.2	39.8	1.3	40.6	1.4	41.3	1.5	41.7	1.7
	20.0	25.4	1.6	30.4	1.6	34	1.6	35.9	1.6	37.8	1.6	39.1	1.6	40.1	1.7	41	1.9	41.5	2.1
	25.0	21.8	1.9	27.9	1.9	32.2	1.9	34.5	1.9	36.9	1.9	38.4	2	39.6	2.1	40.7	2.2	41.2	2.4
	30.0			25.4	2.3	30.4	2.3	33.2	2.3	35.9	2.3	37.7	2.3	39.1	2.4	40.4	2.6	41	2.8
	35.0					28.8	2.6	31.9	2.6	35	2.6	37	2.7	38.6	2.8	40.1	2.9	40.8	3.1
	40.0					27.1	3	30.6	3	34.1	3	36.4	3	38.2	3.1	39.8	3.3	40.6	3.5
40-54	5.0	48.7	0.6	51.2	0.6	52.9	0.6	53.9	0.6	54.8	0.6	55.5	0.7	56	0.8	56.4	0.9	56.6	1.1
	10.0	41.9	1.1	46.4	1.1	49.5	1.1	51.3	1.1	53	1.1	54.1	1.2	55	1.2	55.8	1.4	56.2	1.6
	15.0	35.7	1.6	42	1.6	46.4	1.6	48.8	1.6	51.3	1.6	52.9	1.6	54.1	1.7	55.2	1.9	55.8	2.1
	20.0			37.8	2.1	43.4	2.1	46.5	2.1	49.6	2.1	51.7	2.1	53.3	2.2	54.7	2.4	55.4	2.6
	25.0					40.6	2.5	44.3	2.5	48.1	2.5	50.5	2.6	52.5	2.7	54.2	2.8	55.1	3
	30.0							42.2	3	46.6	3	49.4	3.1	51.7	3.1	53.7	3.3	54.7	3.5
	35.0							40.1	3.5	45.1	3.5	48.3	3.5	50.9	3.6	53.2	3.8	54.4	4
	40.0									43.6	4	47.3	4	50.2	4.1	52.8	4.3	54	4.5
80-36	5.0	51.9	0.7			55	0.7	55.7	0.7	56.4	0.7	56.9	0.8	57.3	0.9	57.6	1.1	57.7	1.4
	10.0	46.8	1.2	50.2	1.2	52.5	1.2	53.8	1.2	55	1.2	55.9	1.3	56.5	1.4	57.1	1.6	57.4	1.9
	15.0	42.2	1.7	46.9	1.7	50.2	1.7	52	1.7	53.8	1.7	55	1.7	55.9	1.9	56.7	2.1	57.1	2.4
	20.0	37.8	2.1	43.7	2.1	48	2.1	50.3	2.1	52.6	2.1	54.1	2.2	55.3	2.3	56.3	2.6	56.9	2.9
	25.0	33.5	2.6	40.7	2.6	45.8	2.6	48.6	2.6	51.4	2.6	53.2	2.7	54.7	2.8	56	3.1	56.6	3.3
	30.0	29.4	3.1	37.8	3.1	43.8	3.1	47	3.1	50.3	3.1	52.4	3.2	54.1	3.3	55.6	3.6	56.3	3.8
	35.0	25.4	3.6	35	3.6	41.8	3.6	45.4	3.6	49.2	3.6	51.6	3.7	53.5	3.8	55.2	4	56.1	4.3
	40.0			32.2	4.1	39.8	4.1	43.9	4.1	48.1	4.1	50.8	4.2	53	4.3	54.9	4.5	55.8	4.8
80-42	5.0	62	0.8	64.5	0.8	66.3	0.8	67.3	0.8	68.2	0.8	68.9	0.9	69.4	1	69.8	1.2	70.1	1.5
	10.0	55.1	1.4	59.6	1.4	62.9	1.4	64.6	1.4	66.4	1.4	67.5	1.5	68.4	1.6	69.2	1.8	69.6	2.1
	15.0	48.7	2	55.1	2	59.7	2	62.1	2	64.6	2	66.2	2.1	67.5	2.2	68.7	2.4	69.2	2.7
	20.0	42.7	2.6	50.8	2.6	56.6	2.6	59.8	2.6	63	2.6	65	2.6	66.7	2.8	68.1	3	68.8	3.3
	25.0	36.8	3.2	46.7	3.2	53.7	3.2	57.5	3.2	61.4	3.2	63.8	3.2	65.8	3.3	67.6	3.6	68.5	3.9
	30.0			42.7	3.7	50.9	3.7	55.3	3.7	59.8	3.7	62.7	3.8	65	3.9	67.1	4.2	68.1	4.4
	35.0			38.8	4.3	48.1	4.3	53.2	4.3	58.3	4.3	61.6	4.4	64.2	4.5	66.6	4.8	67.8	5
	40.0					45.4	4.9	51.1	4.9	56.8	4.9	60.5	5	63.5	5.1	66.1	5.4	67.4	5.6
80-46	5.0	74.5	0.9	76.9	0.9	78.7	0.9	79.6	0.9	80.6	0.9	81.2	1	81.7	1.1	82.2	1.3	82.4	1.6
	10.0	67.6	1.6	72.1	1.6	75.3	1.6	77	1.6	78.7	1.6	79.9	1.7	80.8	1.8	81.6	2	82	2.3
	15.0	61.2	2.3	67.6	2.3	72.1	2.3	74.6	2.3	77	2.3	78.6	2.4	79.9	2.5	81	2.7	81.6	3
	20.0	55.1	3	63.3	3	69.1	3	72.2	3	75.4	3	77.4	3.1	79	3.2	80.5	3.4	81.2	3.7
	25.0	49.3	3.7	59.2	3.7	66.2	3.7	70	3.7	73.8	3.7	76.3	3.7	78.2	3.9	80	4.1	80.8	4.4
	30.0			55.2	4.4	63.3	4.4	67.8	4.4	72.3	4.4	75.2	4.4	77.4	4.6	79.5	4.8	80.5	5.1
	35.0					60.6	5.1	65.6	5.1	70.7	5.1	74.1	5.1	76.7	5.3	79	5.5	80.1	5.8
	40.0							63.6	5.7	69.3	5.7	73	5.8	75.9	5.9	78.5	6.2	79.8	6.5
80-54	5.0	96.2	1.1	100	1.1	103	1.1	105	1.1	106	1.1	107	1.2	108	1.3	109	1.6	109	1.8
	10.0	85.2	2	92.4	2	97.6	2	100	2	103	2	105	2.1	106	2.2	108	2.5	108	2.7
	15.0	75.1	3	85.2	3	92.5	3	96.4	3	100	3	103	3	105	3.2	107	3.4	108	3.7
	20.0			78.3	3.9	87.6	3.9	92.6	3.9	97.7	3.9	101	4	104	4.1	106	4.3	107	4.6
	25.0					82.9	4.8	89	4.8	95.2	4.8	99.1	4.9	102	5	105	5.2	107	5.5
	30.0							85.5	5.7	92.7	5.7	97.3	5.8	101	5.9	104	6.2	106	6.4
	35.0							82.1	6.6	90.3	6.6	95.6	6.7	99.8	6.8	104	7.1	105	7.3
	40.0									87.9	7.5	93.8	7.6	98.6	7.7	103	8	105	8.3
120-42	5.0	88.7	1.2	91.9	1.2	94.2	1.2	95.5	1.2	96.7	1.2	97.5	1.3	98.2	1.5	98.8	1.9	99.1	2.4
	10.0	79.8	2	85.6	2	89.8	2	92	2	94.3	2	95.8	2.2	96.9	2.4	98	2.8	98.5	3.2
	15.0	71.6	2.9	79.8	2.9	85.7	2.9	88.8	2.9	92	2.9	94.1	3	95.8	3.2	97.3	3.6	98	4.1
	20.0	63.8	3.7	74.4	3.7	81.7	3.7	85.8	3.7	89.9	3.7	92.6	3.8	94.7	4	96.6	4.4	97.5	4.9
	25.0	56.3	4.5	69.1	4.5	78	4.5	82.9	4.5	87.8	4.5	91.1	4.7	93.6	4.9	95.9	5.3	97	5.7
	30.0			63.9	5.4	74.4	5.4	80.1	5.4	85.8	5.4	89.6	5.5	92.6	5.7	95.2	6.1	96.6	6.6
	35.0			58.9	6.2	70.9	6.2	77.3	6.2	83.9	6.2	88.2	6.3	91.6	6.5	94.6	6.9	96.1	7.4
	40.0					67.4	7	74.7	7	82	7	86.8	7.2	90.6	7.4	94	7.8	95.7	8.2

Values in the blue area of the table are not recommended. Blackmer reserves the right to change the data in the table without prior notice.

U.S. STANDARD

Speed n=1450 r/min

Size	Pressure PSI	Viscosity (mm ² /s)																	
		3		6		12		20		40		75		150		380		760	
		Flow GPM	Power HP	Flow GPM	Power HP	Flow GPM	Power HP	Flow GPM	Power HP	Flow GPM	Power HP	Flow GPM	Power HP	Flow GPM	Power HP	Flow GPM	Power HP	Flow GPM	Power HP
120-46	72.5	28.30	1.74	29.15	1.74	29.75	1.74	30.10	1.74	30.41	1.74	30.62	2.01	30.81	2.28	30.97	2.82	31.05	3.49
	145	25.95	3.08	27.48	3.08	28.59	3.08	29.17	3.08	29.78	3.08	30.18	3.35	30.47	3.62	30.76	4.16	30.89	4.69
	217.5	23.76	4.43	25.95	4.43	27.48	4.43	28.33	4.43	29.17	4.43	29.73	4.56	30.18	4.96	30.57	5.50	30.76	6.03
	290	21.70	5.77	24.50	5.77	26.45	5.77	27.54	5.77	28.62	5.77	29.33	5.90	29.88	6.17	30.39	6.84	30.62	7.38
	362.5	19.72	7.11	23.07	7.11	25.48	7.11	26.77	7.11	28.06	7.11	28.91	7.24	29.59	7.51	30.20	8.05	30.49	8.72
	435			21.73	8.45	24.50	8.45	26.03	8.45	27.54	8.45	28.54	8.58	29.33	8.85	30.02	9.39	30.39	10.06
	507.5					23.58	9.79	25.29	9.79	27.03	9.79	28.17	9.92	29.07	10.19	29.86	10.73	30.25	11.40
580							24.58	11.00	26.53	11.00	27.80	11.26	28.80	11.53	29.70	12.07	30.15	12.74	
120-54	72.5	36.93	2.28	38.31	2.28	39.28	2.28	39.81	2.28	40.34	2.28	40.68	2.41	40.97	2.68	41.21	3.22	41.34	3.89
	145	33.18	4.02	35.67	4.02	37.41	4.02	38.36	4.02	39.31	4.02	39.94	4.16	40.44	4.43	40.87	4.96	41.10	5.63
	217.5	29.70	5.77	33.18	5.77	35.67	5.77	37.01	5.77	38.36	5.77	39.26	5.90	39.94	6.17	40.58	6.84	40.87	7.38
	290			30.86	7.51	34.00	7.51	35.72	7.51	37.46	7.51	38.60	7.64	39.47	8.05	40.29	8.58	40.68	9.12
	362.5					32.42	9.25	34.50	9.25	36.59	9.25	37.94	9.52	39.02	9.79	40.00	10.33	40.47	10.86
	435							33.32	11.00	35.75	11.00	37.33	11.26	38.60	11.53	39.73	12.07	40.29	12.74
	507.5							32.13	12.87	34.93	12.87	36.72	13.01	38.17	13.28	39.44	13.81	40.10	14.48
580									34.11	14.62	36.14	14.75	37.75	15.02	39.18	15.56	39.92	16.23	
210-40	72.5	41.24	2.68	42.21	2.68	42.90	2.68	43.27	2.68	43.67	2.68	43.90	2.95	44.09	3.35	44.27	4.16	44.35	5.10
	145	38.57	4.56	40.34	4.56	41.58	4.56	42.24	4.56	42.93	4.56	43.38	4.83	43.72	5.23	44.04	6.03	44.19	7.11
	217.5	36.12	6.44	38.60	6.44	40.34	6.44	41.29	6.44	42.24	6.44	42.87	6.71	43.38	7.11	43.82	7.91	44.04	8.98
	290	33.77	8.31	36.93	8.31	39.18	8.31	40.39	8.31	41.61	8.31	42.40	8.58	43.03	8.98	43.61	9.92	43.88	10.86
	362.5	31.52	10.19	35.32	10.19	38.04	10.19	39.52	10.19	41.00	10.19	41.95	10.46	42.72	10.86	43.40	11.80	43.74	12.74
	435	29.33	12.07	33.79	12.07	36.93	12.07	38.65	12.07	40.39	12.07	41.53	12.34	42.40	12.74	43.22	13.68	43.61	14.62
	507.5			32.29	13.95	35.88	13.95	37.83	13.95	39.81	13.95	41.08	14.21	42.11	14.62	43.03	15.56	43.48	16.49
580					34.82	15.82	37.04	15.82	39.23	15.82	40.68	16.09	41.82	16.49	42.85	17.43	43.35	18.37	
210-46	72.5	51.43	3.08	52.75	3.08	53.70	3.08	54.20	3.08	54.73	3.08	55.07	3.35	55.33	3.89	55.57	4.69	55.68	5.63
	145	47.78	5.50	50.19	5.50	51.88	5.50	52.80	5.50	53.72	5.50	54.33	5.77	54.81	6.17	55.23	7.11	55.47	8.05
	217.5	44.40	7.91	47.81	7.91	50.19	7.91	51.51	7.91	52.80	7.91	53.64	8.18	54.33	8.58	54.94	9.39	55.26	10.33
	290	41.21	10.19	45.54	10.19	48.60	10.19	50.27	10.19	51.93	10.19	53.01	10.46	53.88	11.00	54.65	11.80	55.04	12.74
	362.5	38.15	12.61	43.35	12.61	47.04	12.61	49.05	12.61	51.08	12.61	52.40	12.87	53.43	13.28	54.38	14.21	54.86	15.15
	435			41.24	15.02	45.57	15.02	47.92	15.02	50.27	15.02	51.80	15.29	53.01	15.69	54.12	16.49	54.65	17.43
	507.5					44.09	17.30	46.78	17.30	49.47	17.30	51.22	17.57	52.62	18.10	53.86	18.91	54.49	19.85
580							45.67	19.71	48.68	19.71	50.66	19.98	52.22	20.38	53.62	21.32	54.30	22.26	
210-54	72.5	67.37	3.89	69.48	3.89	70.99	3.89	71.81	3.89	72.63	3.89	73.18	4.16	73.60	4.56	73.97	5.50	74.16	6.44
	145	61.54	7.11	65.37	7.11	68.09	7.11	69.56	7.11	71.04	7.11	71.99	7.38	72.78	7.78	73.47	8.58	73.81	9.66
	217.5	56.15	10.19	61.56	10.19	65.39	10.19	67.48	10.19	69.56	10.19	70.94	10.46	72.02	11.00	72.97	11.80	73.47	12.74
	290			57.92	13.41	62.83	13.41	65.47	13.41	68.16	13.41	69.91	13.68	71.28	14.08	72.52	14.89	73.15	15.96
	362.5					60.35	16.49	63.57	16.49	66.82	16.49	68.93	16.76	70.59	17.30	72.10	18.10	72.84	19.04
	435							61.72	19.71	65.50	19.71	67.95	19.98	69.91	20.38	71.68	21.32	72.52	22.26
	507.5							59.93	22.80	64.23	22.80	67.03	23.20	69.25	23.60	71.25	24.41	72.23	25.34
580									62.96	26.02	66.11	26.28	68.61	26.69	70.83	27.62	71.94	28.56	
280-43	72.5	59.88	3.89	61.49	3.89	62.62	3.89	63.25	3.89	63.86	3.89	64.28	4.29	64.60	4.96	64.89	6.30	65.02	7.78
	145	55.47	6.71	58.37	6.71	60.43	6.71	61.54	6.71	62.67	6.71	63.39	7.11	63.97	7.78	64.50	8.98	64.76	10.46
	217.5	51.40	9.39	55.49	9.39	58.40	9.39	59.95	9.39	61.54	9.39	62.57	9.92	63.39	10.46	64.13	11.80	64.50	13.28
	290	47.52	12.20	52.75	12.20	56.44	12.20	58.45	12.20	60.48	12.20	61.80	12.61	62.86	13.28	63.78	14.62	64.26	16.09
	362.5	43.80	15.02	50.11	15.02	54.60	15.02	57.02	15.02	59.45	15.02	61.06	15.42	62.33	16.09	63.47	17.30	64.02	18.77
	435			47.57	17.70	52.77	17.70	55.62	17.70	58.48	17.70	60.32	18.10	61.80	18.77	63.12	20.12	63.78	21.59
	507.5			45.06	20.52	51.00	20.52	54.25	20.52	57.50	20.52	59.64	20.92	61.30	21.59	62.83	22.93	63.57	24.27
580					49.29	23.33	52.91	23.33	56.58	23.33	58.95	23.74	60.83	24.41	62.52	25.61	63.36	27.09	
280-46	72.5	68.51	4.29	70.12	4.29	71.25	4.29	71.89	4.29	72.49	4.29	72.92	4.69	73.23	5.36	73.52	6.71	73.66	8.05
	145	64.10	7.38	67.00	7.38	69.06	7.38	70.17	7.38	71.31	7.38	72.02	7.78	72.60	8.45	73.13	9.79	73.39	11.26
	217.5	60.03	10.59	64.13	10.59	67.03	10.59	68.59	10.59	70.17	10.59	71.20	11.00	72.02	11.67	72.76	12.87	73.13	14.35
	290	56.15	13.68	61.38	13.68	65.08	13.68	67.11	13.68	69.12	13.68	70.44	14.08	71.49	14.75	72.42	16.09	72.89	17.43
	362.5	52.43	16.76	58.77	16.76	63.23	16.76	65.66	16.76	68.11	16.76	69.70	17.16	70.96	17.84	72.10	19.18	72.65	20.65
	435			56.21	19.98	61.41	19.98	64.26	19.98	67.11	19.98	68.96	20.38	70.44	21.05	71.78	22.26	72.42	23.74
	507.5					59.64	23.07	62.88	23.07	66.13	23.07	68.27	23.47	69.93	24.14	71.46	25.48	72.20	26.95
580							61.54	26.15	65.21	26.15	67.58	26.69	69.46	27.22	71.15	28.56	71.99	30.04	
280-54	72.5	89.89	5.36	92.45	5.36	94.27	5.36	95.28	5.36	96.28	5.36	96.91	5.77	97.44	6.44	97.89	7.64	98.13	9.12
	145	82.84	9.52	87.46	9.52	90.76	9.52	92.53	9.52	94.33	9.52	95.52	9.92	96.44	10.59	97.26	11.80	97.68	13.28
	217.5	76.32	13.68	82.87	13.68	87.49	13.68	90.02	13.68	92.56	13.68	94.20	14.08	95.52	14.75	96.70	16.09	97.28	17.43
	290			78.49	17.84	84.40	17.84	87.62	17.84	90.87	17.84	92.95	18.24	94.64	18.91	96.15	20.25	96.89	21.72
	362.5					81.42	21.99	85.30	21.99	89.23	21.99	91.77	22.39	93.80	23.07	95.62	24.41	96.52	25.88
	435							83.08	26.15	87.65	26.15	90.60	26.69	92.98	27.22	95.09	28.56	96.15	30.04
	507.5							80.89	30.44	86.09	30.44	89.50	30.84	92.19	31.38	94.59	32.72	95.78	34.20
580									84.59	34.60	88.39	35.00	91.40	35.67	94.12	36.88	95.44	38.35	

Values in the grey area of the table are not recommended. Blackmer reserves the right to change the data in the table without prior notice.

Speed n=1450 r/min

METRIC

Size	Pressure ΔP Bar	Viscosity (mm ² /s)																	
		3		6		12		20		40		75		150		380		760	
		Flow L/min	Power kW	Flow L/min	Power kW	Flow L/min	Power kW	Flow L/min	Power kW	Flow L/min	Power kW	Flow L/min	Power kW	Flow L/min	Power kW	Flow L/min	Power kW	Flow L/min	Power kW
120-46	5.0	107	1.3	110	1.3	113	1.3	114	1.3	115	1.3	116	1.5	117	1.7	117	2.1	118	2.6
	10.0	98.2	2.3	104	2.3	108	2.3	110	2.3	113	2.3	114	2.5	115	2.7	116	3.1	117	3.5
	15.0	89.9	3.3	98.2	3.3	104	3.3	107	3.3	110	3.3	113	3.4	114	3.7	116	4.1	116	4.5
	20.0	82.1	4.3	92.7	4.3	100	4.3	104	4.3	108	4.3	111	4.4	113	4.6	115	5.1	116	5.5
	25.0	74.7	5.3	87.3	5.3	96.4	5.3	101	5.3	106	5.3	109	5.4	112	5.6	114	6	115	6.5
	30.0			82.2	6.3	92.7	6.3	98.5	6.3	104	6.3	108	6.4	111	6.6	114	7	115	7.5
	35.0					89.2	7.3	95.7	7.3	102	7.3	107	7.4	110	7.6	113	8	115	8.5
40.0						93	8.2	100	8.2	100	8.2	105	8.4	109	8.6	112	9	114	9.5
120-54	5.0	140	1.7	145	1.7	149	1.7	151	1.7	153	1.7	154	1.8	155	2	156	2.4	156	2.9
	10.0	126	3	135	3	142	3	145	3	149	3	151	3.1	153	3.3	155	3.7	156	4.2
	15.0	112	4.3	126	4.3	135	4.3	140	4.3	145	4.3	149	4.4	151	4.6	154	5.1	155	5.5
	20.0			117	5.6	129	5.6	135	5.6	142	5.6	146	5.7	149	6	153	6.4	154	6.8
	25.0					123	6.9	131	6.9	139	6.9	144	7.1	148	7.3	151	7.7	153	8.1
	30.0							126	8.2	135	8.2	141	8.4	146	8.6	150	9	153	9.5
	35.0							122	9.6	132	9.6	139	9.7	145	9.9	149	10.3	152	10.8
40.0								129	10.9	137	11	143	11.2	148	11.6	151	12.1		
210-40	5.0	156	2	160	2	162	2	164	2	165	2	166	2.2	167	2.5	168	3.1	168	3.8
	10.0	146	3.4	153	3.4	157	3.4	160	3.4	162	3.4	164	3.6	165	3.9	167	4.5	167	5.3
	15.0	137	4.8	146	4.8	153	4.8	156	4.8	160	4.8	162	5	164	5.3	166	5.9	167	6.7
	20.0	128	6.2	140	6.2	148	6.2	153	6.2	157	6.2	160	6.4	163	6.7	165	7.4	166	8.1
	25.0	119	7.6	134	7.6	144	7.6	150	7.6	155	7.6	159	7.8	162	8.1	164	8.8	166	9.5
	30.0	111	9	128	9	140	9	146	9	153	9	157	9.2	160	9.5	164	10.2	165	10.9
	35.0			122	10.4	136	10.4	143	10.4	151	10.4	155	10.6	159	10.9	163	11.6	165	12.3
40.0					132	11.8	140	11.8	149	11.8	154	12	158	12.3	162	13	164	13.7	
210-46	5.0	195	2.3	200	2.3	203	2.3	205	2.3	207	2.3	208	2.5	209	2.9	210	3.5	211	4.2
	10.0	181	4.1	190	4.1	196	4.1	200	4.1	203	4.1	206	4.3	207	4.6	209	5.3	210	6
	15.0	168	5.9	181	5.9	190	5.9	195	5.9	200	5.9	203	6.1	206	6.4	208	7	209	7.7
	20.0	156	7.6	172	7.6	184	7.6	190	7.6	197	7.6	201	7.8	204	8.2	207	8.8	208	9.5
	25.0	144	9.4	164	9.4	178	9.4	186	9.4	193	9.4	198	9.6	202	9.9	206	10.6	208	11.3
	30.0			156	11.2	172	11.2	181	11.2	190	11.2	196	11.4	201	11.7	205	12.3	207	13
	35.0					167	12.9	177	12.9	187	12.9	194	13.1	199	13.5	204	14.1	206	14.8
40.0						173	14.7	184	14.7	192	14.9	198	15.2	203	15.9	206	16.6		
210-54	5.0	255	2.9	263	2.9	269	2.9	272	2.9	275	2.9	277	3.1	279	3.4	280	4.1	281	4.8
	10.0	233	5.3	247	5.3	258	5.3	263	5.3	269	5.3	273	5.5	276	5.8	278	6.4	279	7.2
	15.0	213	7.6	233	7.6	248	7.6	255	7.6	263	7.6	269	7.8	273	8.2	276	8.8	278	9.5
	20.0			219	10	238	10	248	10	258	10	265	10.2	270	10.5	275	11.1	277	11.9
	25.0					228	12.3	241	12.3	253	12.3	261	12.5	267	12.9	273	13.5	276	14.2
	30.0							234	14.7	248	14.7	257	14.9	265	15.2	271	15.9	275	16.6
	35.0							227	17	243	17	254	17.3	262	17.6	270	18.2	273	18.9
40.0								238	19.4	250	19.6	260	19.9	268	20.6	272	21.3		
280-43	5.0	227	2.9	233	2.9	237	2.9	239	2.9	242	2.9	243	3.2	245	3.7	246	4.7	246	5.8
	10.0	210	5	221	5	229	5	233	5	237	5	240	5.3	242	5.8	244	6.7	245	7.8
	15.0	195	7	210	7	221	7	227	7	233	7	237	7.4	240	7.8	243	8.8	244	9.9
	20.0	180	9.1	200	9.1	214	9.1	221	9.1	229	9.1	234	9.4	238	9.9	241	10.9	243	12
	25.0	166	11.2	190	11.2	207	11.2	216	11.2	225	11.2	231	11.5	236	12	240	12.9	242	14
	30.0			180	13.2	200	13.2	211	13.2	221	13.2	228	13.5	234	14	239	15	241	16.1
	35.0			171	15.3	193	15.3	205	15.3	218	15.3	226	15.6	232	16.1	238	17.1	241	18.1
40.0					187	17.4	200	17.4	214	17.4	223	17.7	230	18.2	237	19.1	240	20.2	
280-46	5.0	259	3.2	265	3.2	270	3.2	272	3.2	274	3.2	276	3.5	277	4	278	5	279	6
	10.0	243	5.5	254	5.5	261	5.5	266	5.5	270	5.5	273	5.8	275	6.3	277	7.3	278	8.4
	15.0	227	7.9	243	7.9	254	7.9	260	7.9	266	7.9	270	8.2	273	8.7	275	9.6	277	10.7
	20.0	213	10.2	232	10.2	246	10.2	254	10.2	262	10.2	267	10.5	271	11	274	12	276	13
	25.0	198	12.5	222	12.5	239	12.5	249	12.5	258	12.5	264	12.8	269	13.3	273	14.3	275	15.4
	30.0			213	14.9	232	14.9	243	14.9	254	14.9	261	15.2	267	15.7	272	16.6	274	17.7
	35.0					226	17.2	238	17.2	250	17.2	258	17.5	265	18	271	19	273	20.1
40.0						233	19.5	247	19.5	256	19.9	263	20.3	269	21.3	273	22.4		
280-54	5.0	340	4	350	4	357	4	361	4	364	4	367	4.3	369	4.8	371	5.7	371	6.8
	10.0	314	7.1	331	7.1	344	7.1	350	7.1	357	7.1	362	7.4	365	7.9	368	8.8	370	9.9
	15.0	289	10.2	314	10.2	331	10.2	341	10.2	350	10.2	357	10.5	362	11	366	12	368	13
	20.0			297	13.3	319	13.3	332	13.3	344	13.3	352	13.6	358	14.1	364	15.1	367	16.2
	25.0					308	16.4	323	16.4	338	16.4	347	16.7	355	17.2	362	18.2	365	19.3
	30.0							314	19.5	332	19.5	343	19.9	352	20.3	360	21.3	364	22.4
	35.0							306	22.7	326	22.7	339	23	349	23.4	358	24.4	363	25.5
40.0								320	25.8	335	26.1	346	26.6	356	27.5	361	28.6		

Values in the blue area of the table are not recommended. Blackmer reserves the right to change the data in the table without prior notice.

U.S. STANDARD

Speed n=1450 r/min

Size	Pressure PSI	Viscosity (mm ² /s)																	
		3		6		12		20		40		75		150		380		760	
		Flow GPM	Power HP	Flow GPM	Power HP	Flow GPM	Power HP	Flow GPM	Power HP	Flow GPM	Power HP	Flow GPM	Power HP	Flow GPM	Power HP	Flow GPM	Power HP	Flow GPM	Power HP
440-40	72.5	86.72	5.63	88.36	5.63	89.52	5.63	90.16	5.63	90.79	5.63	91.21	6.17	91.56	7.11	91.85	9.12	91.98	11.26
	145	82.21	9.52	85.17	9.52	87.28	9.52	88.41	9.52	89.55	9.52	90.31	10.06	90.90	11.13	91.45	13.01	91.71	15.15
	217.5	78.04	13.41	82.21	13.41	85.19	13.41	86.80	13.41	88.41	13.41	89.47	14.08	90.31	15.02	91.05	16.90	91.45	19.04
	290	74.05	17.30	79.41	17.30	83.21	17.30	85.27	17.30	87.33	17.30	88.68	17.97	89.76	18.91	90.71	20.79	91.19	22.93
	362.5	70.25	21.19	76.72	21.19	81.29	21.19	83.79	21.19	86.30	21.19	87.91	21.86	89.21	22.80	90.37	24.67	90.95	26.82
	435	66.55	25.08	74.10	25.08	79.44	25.08	82.34	25.08	85.27	25.08	87.17	25.75	88.68	26.69	90.05	28.56	90.71	30.71
	507.5			71.54	29.10	77.64	29.10	80.94	29.10	84.30	29.10	86.46	29.64	88.18	30.57	89.73	32.59	90.50	34.73
	580					75.87	32.99	79.57	32.99	83.32	32.99	85.75	33.53	87.67	34.46	89.42	36.48	90.26	38.62
440-46	72.5	109.82	6.71	112.09	6.71	113.68	6.71	114.55	6.71	115.42	6.71	115.98	7.24	116.42	8.18	116.85	10.19	117.03	12.34
	145	103.67	11.67	107.71	11.67	110.59	11.67	112.15	11.67	113.73	11.67	114.76	12.20	115.55	13.14	116.29	15.15	116.66	17.30
	217.5	97.97	16.63	103.70	16.63	107.74	16.63	109.96	16.63	112.17	16.63	113.60	17.16	114.76	18.10	115.79	20.12	116.29	22.26
	290	92.53	21.59	99.84	21.59	105.02	21.59	107.84	21.59	110.67	21.59	112.52	22.26	114.00	23.20	115.29	25.08	115.95	27.22
	362.5	87.33	26.55	96.18	26.55	102.43	26.55	105.84	26.55	109.24	26.55	111.49	27.22	113.26	28.16	114.84	30.04	115.63	32.18
	435			92.58	31.51	99.90	31.51	103.86	31.51	107.87	31.51	110.46	32.18	112.54	33.12	114.39	35.00	115.32	37.15
	507.5					97.42	36.48	101.96	36.48	106.52	36.48	109.48	37.15	111.83	38.08	113.94	39.96	115.00	42.11
	580							100.08	41.44	105.18	41.44	108.50	42.11	111.14	43.05	113.52	44.92	114.68	47.07
440-52	72.5	126.22	7.51	129.81	7.51	132.37	7.51	133.74	7.51	135.14	7.51	136.04	8.18	136.78	9.12	137.41	11.00	137.73	13.14
	145	116.34	13.41	122.84	13.41	127.43	13.41	129.94	13.41	132.45	13.41	134.09	14.08	135.38	15.02	136.54	16.90	137.12	19.04
	217.5	107.24	19.31	116.40	19.31	122.87	19.31	126.40	19.31	129.94	19.31	132.26	19.85	134.09	20.79	135.72	22.80	136.54	24.94
	290	98.58	25.08	110.27	25.08	118.54	25.08	123.05	25.08	127.56	25.08	130.52	25.75	132.87	26.69	134.96	28.56	135.99	30.71
	362.5			104.39	30.98	114.36	30.98	119.80	30.98	125.29	30.98	128.86	31.65	131.68	32.59	134.22	34.46	135.48	36.61
	435					110.33	36.88	116.69	36.88	123.08	36.88	127.25	37.41	130.55	38.49	133.50	40.36	134.96	42.51
	507.5							113.63	42.78	120.91	42.78	125.66	43.31	129.41	44.25	132.79	46.26	134.48	48.41
	580									118.80	48.54	124.11	49.21	128.33	50.15	132.11	52.03	133.98	54.18
440-54	72.5	142.16	8.18	145.75	8.18	148.32	8.18	149.69	8.18	151.09	8.18	152.01	8.85	152.72	9.79	153.36	11.67	153.67	13.81
	145	132.32	14.75	138.78	14.75	143.38	14.75	145.89	14.75	148.39	14.75	150.03	15.42	151.32	16.36	152.49	18.24	153.07	20.38
	217.5	123.18	21.32	132.34	21.32	138.84	21.32	142.35	21.32	145.89	21.32	148.21	21.86	150.03	22.80	151.67	24.81	152.49	26.95
	290			126.22	27.89	134.48	27.89	139.00	27.89	143.51	27.89	146.47	28.43	148.82	29.37	150.90	31.38	151.96	33.53
	362.5					130.34	34.33	135.78	34.33	141.24	34.33	144.80	35.00	147.63	35.94	150.16	37.82	151.43	39.96
	435							132.63	40.90	139.02	40.90	143.19	41.57	146.49	42.51	149.45	44.39	150.93	46.53
	507.5							129.57	47.47	136.86	47.47	141.61	48.01	145.36	48.95	148.74	50.96	150.43	53.10
	580									134.75	54.04	140.05	54.58	144.28	55.52	148.05	57.53	149.93	59.67
660-40	72.5	135.01	8.45	137.23	8.45	138.78	8.45	139.63	8.45	140.47	8.45	141.03	9.39	141.48	10.73	141.87	13.41	142.06	16.49
	145	128.99	14.48	132.95	14.48	135.75	14.48	137.28	14.48	138.81	14.48	139.81	15.42	140.61	16.76	141.32	19.44	141.69	22.53
	217.5	123.42	20.52	129.02	20.52	132.98	20.52	135.14	20.52	137.31	20.52	138.71	21.46	139.84	22.80	140.84	25.48	141.32	28.56
	290	118.11	26.55	125.27	26.55	130.34	26.55	133.08	26.55	135.85	26.55	137.65	27.49	139.08	28.83	140.37	31.51	141.00	34.60
	362.5	113.02	32.59	121.68	32.59	127.78	32.59	131.10	32.59	134.46	32.59	136.62	33.53	138.36	34.87	139.92	37.55	140.69	40.63
	435			118.17	38.62	125.29	38.62	129.18	38.62	133.11	38.62	135.64	39.56	137.65	40.90	139.47	43.58	140.37	46.67
	507.5			114.76	44.66	122.89	44.66	127.33	44.66	131.76	44.66	134.67	45.59	136.99	46.94	139.05	49.62	140.05	52.70
	580					120.54	50.69	125.48	50.69	130.50	50.69	133.74	51.63	136.30	52.97	138.63	55.65	139.76	58.74
660-44	72.5	151.98	9.25	154.99	9.25	157.13	9.25	158.29	9.25	159.46	9.25	160.22	10.19	160.80	11.53	161.36	14.35	161.62	17.43
	145	143.75	16.09	149.16	16.09	153.01	16.09	155.10	16.09	157.19	16.09	158.56	17.03	159.64	18.37	160.62	21.19	161.09	24.27
	217.5	136.12	23.07	143.77	23.07	149.19	23.07	152.14	23.07	155.10	23.07	157.03	23.87	158.56	25.34	159.93	28.03	160.62	31.11
	290	128.86	29.90	138.65	29.90	145.57	29.90	149.32	29.90	153.12	29.90	155.58	30.84	157.56	32.18	159.30	34.87	160.17	37.95
	362.5			133.72	36.74	142.08	36.74	146.63	36.74	151.22	36.74	154.20	37.68	156.55	39.02	158.69	41.84	159.72	44.92
	435			128.94	43.58	138.71	43.58	144.01	43.58	149.34	43.58	152.83	44.52	155.60	45.86	158.08	48.68	159.30	51.76
	507.5					135.38	50.56	141.45	50.56	147.55	50.56	151.51	51.36	154.68	52.70	157.50	55.52	158.90	58.60
	580							138.94	57.39	145.78	57.39	150.22	58.20	153.75	59.67	156.92	62.36	158.48	65.44
660-46	72.5	165.13	9.79	168.17	9.79	170.28	9.79	171.44	9.79	172.60	9.79	173.37	10.73	173.98	12.07	174.50	14.89	174.77	17.97
	145	156.90	17.30	162.33	17.30	166.16	17.30	168.25	17.30	170.36	17.30	171.71	18.10	172.81	19.58	173.79	22.26	174.27	25.34
	217.5	149.27	24.67	156.92	24.67	162.33	24.67	165.29	24.67	168.27	24.67	170.20	25.61	171.73	26.95	173.10	29.77	173.79	32.85
	290	142.03	32.05	151.80	32.05	158.72	32.05	162.49	32.05	166.27	32.05	168.75	32.99	170.70	34.33	172.44	37.15	173.32	40.23
	362.5			146.86	39.56	155.23	39.56	159.77	39.56	164.37	39.56	167.35	40.50	169.73	41.84	171.84	44.52	172.89	47.61
	435					151.85	46.94	157.16	46.94	162.52	46.94	166.00	47.87	168.75	49.21	171.23	52.03	172.47	55.12
	507.5					148.55	54.44	154.60	54.44	160.70	54.44	164.68	55.25	167.82	56.59	170.65	59.41	172.05	62.49
	580							152.12	61.82	158.93	61.82	163.39	62.76	166.90	64.10	170.07	66.78	171.65	69.87
660-51	72.5	191.90	11.26	196.71	11.26	200.11	11.26	201.96	11.26	203.83	11.26	205.05	12.07	206.00	13.54	206.87	16.23	207.29	19.31
	145	178.75	20.12	187.41	20.12	193.54	20.12	196.86	20.12	200.22	20.12	202.41	20.92	204.12	22.26	205.68	25.08	206.45	28.16
	217.5	166.58	28.83	178.81	28.83	187.44	28.83	192.17	28.83	196.89	28.83	199.98	29.77	202.41	31.11	204.60	33.93	205.68	37.01
	290			170.62	37.68	181.66	37.68	187.68	37.68	193.72	37.68	197.66	38.62	200.77	39.96	203.57	42.78	204.97	45.73
	362.5					176.11	46.53	183.37	46.53	190.66	46.53	195.44	47.34	199.21	48.81	202.59	51.49	204.2	

Speed n=1450 r/min

METRIC

Size	Pressure ΔP Bar	Viscosity (mm ² /s)																	
		3		6		12		20		40		75		150		380		760	
		Flow L/min	Power kW	Flow L/min	Power kW	Flow L/min	Power kW	Flow L/min	Power kW	Flow L/min	Power kW	Flow L/min	Power kW	Flow L/min	Power kW	Flow L/min	Power kW	Flow L/min	Power kW
440-40	5.0	328	4.2	334	4.2	339	4.2	341	4.2	344	4.2	345	4.6	347	5.3	348	6.8	348	8.4
	10.0	311	7.1	322	7.1	330	7.1	335	7.1	339	7.1	342	7.5	344	8.3	346	9.7	347	11.3
	15.0	295	10	311	10	322	10	329	10	335	10	339	10.5	342	11.2	345	12.6	346	14.2
	20.0	280	12.9	301	12.9	315	12.9	323	12.9	331	12.9	336	13.4	340	14.1	343	15.5	345	17.1
	25.0	266	15.8	290	15.8	308	15.8	317	15.8	327	15.8	333	16.3	338	17	342	18.4	344	20
	30.0	252	18.7	281	18.7	301	18.7	312	18.7	323	18.7	330	19.2	336	19.9	341	21.3	343	22.9
	35.0			271	21.7	294	21.7	306	21.7	319	21.7	327	22.1	334	22.8	340	24.3	343	25.9
40.0					287	24.6	301	24.6	315	24.6	325	25	332	25.7	338	27.2	342	28.8	
440-46	5.0	416	5	424	5	430	5	434	5	437	5	439	5.4	441	6.1	442	7.6	443	9.2
	10.0	392	8.7	408	8.7	419	8.7	425	8.7	431	8.7	434	9.1	437	9.8	440	11.3	442	12.9
	15.0	371	12.4	393	12.4	408	12.4	416	12.4	425	12.4	430	12.8	434	13.5	438	15	440	16.6
	20.0	350	16.1	378	16.1	398	16.1	408	16.1	419	16.1	426	16.6	432	17.3	436	18.7	439	20.3
	25.0	331	19.8	364	19.8	388	19.8	401	19.8	414	19.8	422	20.3	429	21	435	22.4	438	24
	30.0			350	23.5	378	23.5	393	23.5	408	23.5	418	24	426	24.7	433	26.1	437	27.7
	35.0					369	27.2	386	27.2	403	27.2	414	27.7	423	28.4	431	29.8	435	31.4
40.0							379	30.9	398	30.9	411	31.4	421	32.1	430	33.5	434	35.1	
440-52	5.0	478	5.6	491	5.6	501	5.6	506	5.6	512	5.6	515	6.1	518	6.8	520	8.2	521	9.8
	10.0	440	10	465	10	482	10	492	10	501	10	508	10.5	512	11.2	517	12.6	519	14.2
	15.0	406	14.4	441	14.4	465	14.4	478	14.4	492	14.4	501	14.8	508	15.5	514	17	517	18.6
	20.0	373	18.7	417	18.7	449	18.7	466	18.7	483	18.7	494	19.2	503	19.9	511	21.3	515	22.9
	25.0			395	23.1	433	23.1	454	23.1	474	23.1	488	23.6	498	24.3	508	25.7	513	27.3
	30.0					418	27.5	442	27.5	466	27.5	482	27.9	494	28.7	505	30.1	511	31.7
	35.0							430	31.9	458	31.9	476	32.3	490	33	503	34.5	509	36.1
40.0									450	36.2	470	36.7	486	37.4	500	38.8	507	40.4	
440-54	5.0	538	6.1	552	6.1	561	6.1	567	6.1	572	6.1	575	6.6	578	7.3	581	8.7	582	10.3
	10.0	501	11	525	11	543	11	552	11	562	11	568	11.5	573	12.2	577	13.6	579	15.2
	15.0	466	15.9	501	15.9	526	15.9	539	15.9	552	15.9	561	16.3	568	17	574	18.5	577	20.1
	20.0			478	20.8	509	20.8	526	20.8	543	20.8	554	21.2	563	21.9	571	23.4	575	25
	25.0					493	25.6	514	25.6	535	25.6	548	26.1	559	26.8	568	28.2	573	29.8
	30.0							502	30.5	526	30.5	542	31	555	31.7	566	33.1	571	34.7
	35.0							490	35.4	518	35.4	536	35.8	550	36.5	563	38	569	39.6
40.0									510	40.3	530	40.7	546	41.4	560	42.9	568	44.5	
660-40	5.0	511	6.3	519	6.3	525	6.3	529	6.3	532	6.3	534	7	536	8	537	10	538	12.3
	10.0	488	10.8	503	10.8	514	10.8	520	10.8	525	10.8	529	11.5	532	12.5	535	14.5	536	16.8
	15.0	467	15.3	488	15.3	503	15.3	512	15.3	520	15.3	525	16	529	17	533	19	535	21.3
	20.0	447	19.8	474	19.8	493	19.8	504	19.8	514	19.8	521	20.5	526	21.5	531	23.5	534	25.8
	25.0	428	24.3	461	24.3	484	24.3	496	24.3	509	24.3	517	25	524	26	530	28	533	30.3
	30.0			447	28.8	474	28.8	489	28.8	504	28.8	513	29.5	521	30.5	528	32.5	531	34.8
	35.0			434	33.3	465	33.3	482	33.3	499	33.3	510	34	519	35	526	37	530	39.3
40.0					456	37.8	475	37.8	494	37.8	506	38.5	516	39.5	525	41.5	529	43.8	
660-44	5.0	575	6.9	587	6.9	595	6.9	599	6.9	604	6.9	607	7.6	609	8.6	611	10.7	612	13
	10.0	544	12	565	12	579	12	587	12	595	12	600	12.7	604	13.7	608	15.8	610	18.1
	15.0	515	17.2	544	17.2	565	17.2	576	17.2	587	17.2	594	17.8	600	18.9	605	20.9	608	23.2
	20.0	488	22.3	525	22.3	551	22.3	565	22.3	580	22.3	589	23	596	24	603	26	606	28.3
	25.0			506	27.4	538	27.4	555	27.4	572	27.4	584	28.1	593	29.1	601	31.2	605	33.5
	30.0			488	32.5	525	32.5	545	32.5	565	32.5	579	33.2	589	34.2	598	36.3	603	38.6
	35.0					512	37.7	535	37.7	559	37.7	574	38.3	586	39.3	596	41.4	602	43.7
40.0							526	42.8	552	42.8	569	43.4	582	44.5	594	46.5	600	48.8	
660-46	5.0	625	7.3	637	7.3	645	7.3	649	7.3	653	7.3	656	8	659	9	661	11.1	662	13.4
	10.0	594	12.9	614	12.9	629	12.9	637	12.9	645	12.9	650	13.5	654	14.6	658	16.6	660	18.9
	15.0	565	18.4	594	18.4	614	18.4	626	18.4	637	18.4	644	19.1	650	20.1	655	22.2	658	24.5
	20.0	538	23.9	575	23.9	601	23.9	615	23.9	629	23.9	639	24.6	646	25.6	653	27.7	656	30
	25.0			556	29.5	588	29.5	605	29.5	622	29.5	633	30.2	642	31.2	650	33.2	654	35.5
	30.0					575	35	595	35	615	35	628	35.7	639	36.7	648	38.8	653	41.1
	35.0					562	40.6	585	40.6	608	40.6	623	41.2	635	42.2	646	44.3	651	46.6
40.0							576	46.1	602	46.1	618	46.8	632	47.8	644	49.8	650	52.1	
660-51	5.0	726	8.4	745	8.4	758	8.4	765	8.4	772	8.4	776	9	780	10.1	783	12.1	785	14.4
	10.0	677	15	709	15	733	15	745	15	758	15	766	15.6	773	16.6	779	18.7	781	21
	15.0	631	21.5	677	21.5	710	21.5	727	21.5	745	21.5	757	22.2	766	23.2	774	25.3	779	27.6
	20.0			646	28.1	688	28.1	710	28.1	733	28.1	748	28.8	760	29.8	771	31.9	776	34.1
	25.0					667	34.7	694	34.7	722	34.7	740	35.3	754	36.4	767	38.4	773	40.7
	30.0					646	41.3	678	41.3	711	41.3	732	41.9	748	42.9	763	45	771	47.3
	35.0							663	47.8	700	47.8	724	48.5	743	49.5	760	51.6	768	53.9
40.0									689	54.4	716	55.1	737	56.1	756	58.2	766	60.5	

Values in the blue area of the table are not recommended. Blackmer reserves the right to change the data in the table without prior notice.

U.S. STANDARD
Speed n=1450 r/min

Size	Pressure PSI	Viscosity (mm ² /s)																			
		3		6		12		20		40		75		150		380		760			
		Flow GPM	Power HP	Flow GPM	Power HP	Flow GPM	Power HP	Flow GPM	Power HP	Flow GPM	Power HP	Flow GPM	Power HP	Flow GPM	Power HP	Flow GPM	Power HP	Flow GPM	Power HP		
660-54	72.5	213.84	12.20	218.64	12.20	222.05	12.20	223.90	12.20	225.75	12.20	226.96	13.01	227.94	14.48	228.78	17.16	229.20	20.25		
	145	200.67	21.86	209.33	21.86	215.45	21.86	218.80	21.86	222.16	21.86	224.32	22.80	226.06	24.14	227.62	26.95	228.39	30.04		
	217.5	188.52	31.65	200.75	31.65	209.38	31.65	214.08	31.65	218.80	31.65	221.89	32.59	224.35	33.93	226.54	36.74	227.62	39.69		
	290			192.56	41.44	203.60	41.44	209.62	41.44	215.66	41.44	219.60	42.24	222.71	43.72	225.51	46.40	226.91	49.48		
	362.5					198.03	51.09	205.29	51.09	212.60	51.09	217.35	52.03	221.13	53.37	224.53	56.19	226.20	59.27		
	435							201.12		60.88		60.88	215.21	61.82	219.60	63.16	223.56	65.98	225.51	69.06	
	507.5										206.76	70.67	213.10	71.48	218.12	72.95	222.63	75.63	224.85	78.72	
580												211.04	81.26	216.66	82.61	221.71	85.42	224.22	88.51		
940-42	72.5	194.86	12.34	198.77	12.34	201.51	12.34	202.99	12.34	204.52	12.34	205.50	13.54	206.26	15.56	206.98	19.44	207.32	23.87		
	145	184.19	21.05	191.22	21.05	196.18	21.05	198.87	21.05	201.59	21.05	203.36	22.39	204.76	24.27	206.03	28.30	206.63	32.72		
	217.5	174.35	29.90	184.25	29.90	191.24	29.90	195.04	29.90	198.90	29.90	201.38	31.11	203.36	33.12	205.15	37.15	206.03	41.57		
	290	164.97	38.75	177.62	38.75	186.57	38.75	191.43	38.75	196.34	38.75	199.50	39.96	202.04	41.97	204.31	45.86	205.44	50.29		
	362.5	155.97	47.47	171.26	47.47	182.05	47.47	187.94	47.47	193.86	47.47	197.71	48.81	200.77	50.69	203.52	54.71	204.86	59.14		
	435			165.08		56.32		56.32		184.56	56.32	191.45	56.32	195.97	57.66	199.53	59.54	202.73	63.56	204.31	67.99
	507.5					173.42	65.17	181.24	65.17	189.13	65.17	194.25	66.38	198.32	68.39	201.99	72.28	203.78	76.71	207.71	81.13
580					169.25	73.89	178.02	73.89	186.83	73.89	192.59	75.23	197.16	77.24	201.22	81.13	203.25	85.56	208.25	90.64	
940-46	72.5	236.49	14.08	240.37	14.08	243.14	14.08	244.62	14.08	246.13	14.08	247.13	15.29	247.90	17.30	248.58	21.19	248.95	25.61		
	145	225.83	24.54	232.85	24.54	237.81	24.54	240.50	24.54	243.22	24.54	244.99	25.88	246.39	27.89	247.66	31.78	248.27	36.21		
	217.5	215.98	35.13	225.88	35.13	232.87	35.13	236.68	35.13	240.53	35.13	243.01	36.48	244.99	38.35	246.76	42.38	247.66	46.80		
	290	206.61	45.73	219.25	45.73	228.20	45.73	233.06	45.73	237.94	45.73	241.14	47.07	243.67	48.95	245.94	52.97	247.05	57.39		
	362.5			212.89	56.32	223.69	56.32	229.57	56.32	235.49	56.32	239.34	57.66	242.40	59.54	245.15	63.56	246.50	67.99		
	435					219.30	66.92	226.17	66.92	233.09	66.92	237.60	68.12	241.16	70.13	244.36	74.16	245.94	78.58		
	507.5					215.05	77.51	222.87	77.51	230.76	77.51	235.88	78.72	239.95	80.73	243.59	84.62	245.41	89.04		
580							219.65	88.10	228.47	88.10	234.22	89.31	238.76	91.32	242.85	95.21	244.89	99.64			
940-50	72.5	263.23	15.56	269.44	15.56	273.85	15.56	276.25	15.56	278.65	15.56	280.21	16.76	281.45	18.77	282.59	22.66	283.14	27.09		
	145	246.18	27.49	257.40	27.49	265.32	27.49	269.65	27.49	273.98	27.49	276.80	28.83	279.05	30.84	281.05	34.73	282.06	39.16		
	217.5	230.45	39.56	246.26	39.56	257.45	39.56	263.55	39.56	269.68	39.56	273.66	40.90	276.83	42.78	279.66	46.80	281.08	51.23		
	290			235.67	51.63	249.96	51.63	257.74	51.63	265.56	51.63	270.68	52.97	274.72	54.85	278.34	58.87	280.13	63.30		
	362.5					242.75	63.70	252.17	63.70	261.62	63.70	267.78	64.90	272.66	66.92	277.07	70.80	279.23	75.23		
	435					235.78	75.77	246.73	75.77	257.80	75.77	264.98	76.97	270.71	78.98	275.80	82.87	278.34	87.30		
	507.5							241.45	87.70	254.05	87.70	262.26	89.04	268.75	91.05	274.61	94.94	277.49	99.37		
580								250.40	99.77	259.59	101.11	266.88	102.99	273.42	107.01	276.65	111.44	281.14	116.44		
940-54	72.5	311.78	17.57	318.01	17.57	322.42	17.57	324.80	17.57	327.23	17.57	328.79	18.77	330.03	20.79	331.14	24.81	331.69	29.23		
	145	294.76	31.65	305.98	31.65	313.90	31.65	318.20	31.65	322.56	31.65	325.38	32.99	327.62	34.87	329.63	38.89	330.63	43.31		
	217.5	279.00	45.73	294.84	45.73	306.03	45.73	312.10	45.73	318.23	45.73	322.24	47.07	325.38	48.95	328.23	52.97	329.63	57.39		
	290			284.25	59.81	298.53	59.81	306.32	59.81	314.13	59.81	319.23	61.15	323.27	63.03	326.91	67.05	328.71	71.48		
	362.5					291.32	73.89	300.72	73.89	310.20	73.89	316.35	75.23	321.24	77.24	325.62	81.13	327.78	85.56		
	435							295.31	88.10	306.37	88.10	313.55	89.31	319.26	91.32	324.38	95.21	326.91	99.64		
	507.5								302.62	102.18	310.83	103.39	317.33	105.40	323.16	109.29	326.07	113.72	331.14	118.72	
580										308.17	117.47	315.45	119.48	321.97	123.51	325.22	127.80	331.14	132.72		

Values in the grey area of the table are not recommended. Blackmer reserves the right to change the data in the table without prior notice.

Speed n=1450 r/min

METRIC

Size	Pressure ΔP Bar	Viscosity (mm ² /s)																	
		3		6		12		20		40		75		150		380		760	
		Flow L/min	Power kW	Flow L/min	Power kW	Flow L/min	Power kW	Flow L/min	Power kW	Flow L/min	Power kW	Flow L/min	Power kW	Flow L/min	Power kW	Flow L/min	Power kW	Flow L/min	Power kW
660-54	5.0	809	9.1	828	9.1	841	9.1	848	9.1	855	9.1	859	9.7	863	10.8	866	12.8	868	15.1
	10.0	760	16.3	792	16.3	816	16.3	828	16.3	841	16.3	849	17	856	18	862	20.1	865	22.4
	15.0	714	23.6	760	23.6	793	23.6	810	23.6	828	23.6	840	24.3	849	25.3	858	27.4	862	29.6
	20.0			729	30.9	771	30.9	793	30.9	816	30.9	831	31.5	843	32.6	854	34.6	859	36.9
	25.0					750	38.1	777	38.1	805	38.1	823	38.8	837	39.8	850	41.9	856	44.2
	30.0							761	45.4	794	45.4	815	46.1	831	47.1	846	49.2	854	51.5
	35.0									783	52.7	807	53.3	826	54.4	843	56.4	851	58.7
40.0											799	60.6	820	61.6	839	63.7	849	66	
940-42	5.0	738	9.2	752	9.2	763	9.2	768	9.2	774	9.2	778	10.1	781	11.6	783	14.5	785	17.8
	10.0	697	15.7	724	15.7	743	15.7	753	15.7	763	15.7	770	16.7	775	18.1	780	21.1	782	24.4
	15.0	660	22.3	697	22.3	724	22.3	738	22.3	753	22.3	762	23.2	770	24.7	777	27.7	780	31
	20.0	624	28.9	672	28.9	706	28.9	725	28.9	743	28.9	755	29.8	765	31.3	773	34.2	778	37.5
	25.0	590	35.4	648	35.4	689	35.4	711	35.4	734	35.4	748	36.4	760	37.8	770	40.8	775	44.1
	30.0			625	42	673	42	699	42	725	42	742	43	755	44.4	767	47.4	773	50.7
	35.0					656	48.6	686	48.6	716	48.6	735	49.5	751	51	765	53.9	771	57.2
40.0					641	55.1	674	55.1	707	55.1	729	56.1	746	57.6	762	60.5	769	63.8	
940-46	5.0	895	10.5	910	10.5	920	10.5	926	10.5	932	10.5	935	11.4	938	12.9	941	15.8	942	19.1
	10.0	855	18.3	881	18.3	900	18.3	910	18.3	921	18.3	927	19.3	933	20.8	937	23.7	940	27
	15.0	818	26.2	855	26.2	882	26.2	896	26.2	911	26.2	920	27.2	927	28.6	934	31.6	937	34.9
	20.0	782	34.1	830	34.1	864	34.1	882	34.1	901	34.1	913	35.1	922	36.5	931	39.5	935	42.8
	25.0			806	42	847	42	869	42	891	42	906	43	918	44.4	928	47.4	933	50.7
	30.0					830	49.9	856	49.9	882	49.9	899	50.8	913	52.3	925	55.3	931	58.6
	35.0					814	57.8	844	57.8	874	57.8	893	58.7	908	60.2	922	63.1	929	66.4
40.0							831	65.7	865	65.7	887	66.6	904	68.1	919	71	927	74.3	
940-50	5.0	996	11.6	1020	11.6	1037	11.6	1046	11.6	1055	11.6	1061	12.5	1065	14	1070	16.9	1072	20.2
	10.0	932	20.5	974	20.5	1004	20.5	1021	20.5	1037	20.5	1048	21.5	1056	23	1064	25.9	1068	29.2
	15.0	872	29.5	932	29.5	975	29.5	998	29.5	1021	29.5	1036	30.5	1048	31.9	1059	34.9	1064	38.2
	20.0			892	38.5	946	38.5	976	38.5	1005	38.5	1025	39.5	1040	40.9	1054	43.9	1060	47.2
	25.0					919	47.5	955	47.5	990	47.5	1014	48.4	1032	49.9	1049	52.8	1057	56.1
	30.0					893	56.5	934	56.5	976	56.5	1003	57.4	1025	58.9	1044	61.8	1054	65.1
	35.0							914	65.4	962	65.4	993	66.4	1017	67.9	1040	70.8	1050	74.1
40.0									948	74.4	983	75.4	1010	76.8	1035	79.8	1047	83.1	
940-54	5.0	1180	13.1	1204	13.1	1221	13.1	1229	13.1	1239	13.1	1245	14	1249	15.5	1253	18.5	1256	21.8
	10.0	1116	23.6	1158	23.6	1188	23.6	1205	23.6	1221	23.6	1232	24.6	1240	26	1248	29	1252	32.3
	15.0	1056	34.1	1116	34.1	1158	34.1	1181	34.1	1205	34.1	1220	35.1	1232	36.5	1242	39.5	1248	42.8
	20.0			1076	44.6	1130	44.6	1160	44.6	1189	44.6	1208	45.6	1224	47	1237	50	1244	53.3
	25.0					1103	55.1	1138	55.1	1174	55.1	1198	56.1	1216	57.6	1233	60.5	1241	63.8
	30.0							1118	65.7	1160	65.7	1187	66.6	1209	68.1	1228	71	1237	74.3
	35.0									1146	76.2	1177	77.1	1201	78.6	1223	81.5	1234	84.8
40.0											1167	87.6	1194	89.1	1219	92.1	1231	95.3	

Values in the blue area of the table are not recommended. Blackmer reserves the right to change the data in the table without prior notice.

U.S. STANDARD

Speed n=1750 r/min

Size	Pressure PSI	Viscosity (mm ² /s)																	
		3		6		12		20		40		75		150		380		760	
		Flow GPM	Power HP	Flow GPM	Power HP	Flow GPM	Power HP	Flow GPM	Power HP	Flow GPM	Power HP	Flow GPM	Power HP	Flow GPM	Power HP	Flow GPM	Power HP	Flow GPM	Power HP
40-38	72.5	9.13	0.67	9.42	0.67	9.66	0.67	9.77	0.67	9.87	0.67	9.95	0.80	10.01	0.94	10.06	1.34	10.11	1.74
	145	8.32	1.21	8.84	1.21	9.24	1.21	9.45	1.21	9.66	1.21	9.79	1.21	9.90	1.48	10.01	1.74	10.06	2.15
	217.5	7.55	1.61	8.32	1.61	8.87	1.61	9.16	1.61	9.45	1.61	9.64	1.74	9.79	1.88	9.93	2.15	10.01	2.55
	290	6.84	2.01	7.81	2.01	8.50	2.01	8.87	2.01	9.24	2.01	9.50	2.15	9.69	2.28	9.87	2.68	9.95	2.95
	362.5	6.12	2.41	7.31	2.41	8.16	2.41	8.61	2.41	9.06	2.41	9.35	2.55	9.58	2.68	9.79	3.08	9.90	3.49
	435	5.46	2.82	6.84	2.82	7.81	2.82	8.34	2.82	8.87	2.82	9.21	2.95	9.50	3.08	9.74	3.49	9.87	3.89
	507.5			6.36	3.35	7.47	3.35	8.08	3.35	8.69	3.35	9.08	3.35	9.40	3.62	9.69	3.89	9.82	4.29
580			5.91	3.75	7.15	3.75	7.84	3.75	8.53	3.75	8.95	3.89	9.32	4.02	9.64	4.29	9.79	4.69	
40-46	72.5	12.17	0.80	12.57	0.80	12.86	0.80	13.02	0.80	13.17	0.80	13.28	0.94	13.36	1.21	13.44	1.48	13.46	1.88
	145	11.04	1.48	11.77	1.48	12.30	1.48	12.57	1.48	12.86	1.48	13.04	1.61	13.20	1.74	13.33	2.01	13.38	2.41
	217.5	10.01	2.01	11.04	2.01	11.77	2.01	12.17	2.01	12.59	2.01	12.83	2.15	13.04	2.28	13.23	2.68	13.33	2.95
	290	9.03	2.55	10.35	2.55	11.30	2.55	11.80	2.55	12.30	2.55	12.65	2.68	12.91	2.82	13.15	3.22	13.28	3.62
	362.5	8.08	3.22	9.69	3.22	10.82	3.22	11.43	3.22	12.06	3.22	12.46	3.22	12.78	3.49	13.07	3.75	13.20	4.16
	435			9.03	3.75	10.35	3.75	11.09	3.75	11.80	3.75	12.28	3.89	12.65	4.02	12.99	4.29	13.15	4.69
	507.5					9.90	4.29	10.74	4.29	11.56	4.29	12.09	4.43	12.51	4.56	12.91	4.96	13.09	5.23
580							10.40	4.83	11.33	4.83	11.93	4.96	12.41	5.10	12.83	5.50	13.04	5.90	
40-54	72.5	15.97	1.07	16.63	1.07	17.11	1.07	17.34	1.07	17.61	1.07	17.77	1.21	17.90	1.34	18.00	1.61	18.06	2.01
	145	14.20	1.88	15.36	1.88	16.21	1.88	16.66	1.88	17.11	1.88	17.40	1.88	17.64	2.15	17.85	2.41	17.95	2.82
	217.5	12.54	2.55	14.20	2.55	15.36	2.55	16.02	2.55	16.66	2.55	17.08	2.68	17.40	2.82	17.71	3.22	17.85	3.62
	290			13.09	3.35	14.60	3.35	15.42	3.35	16.24	3.35	16.76	3.49	17.19	3.62	17.56	4.02	17.74	4.43
	362.5					13.83	4.16	14.81	4.16	15.81	4.16	16.45	4.29	16.98	4.43	17.42	4.69	17.66	5.10
	435							14.26	4.96	15.42	4.96	16.16	4.96	16.76	5.23	17.29	5.50	17.56	5.90
	507.5							13.70	5.63	15.02	5.63	15.89	5.77	16.55	5.90	17.19	6.30	17.48	6.71
580								14.63	6.44	15.60	6.57	16.37	6.71	17.05	7.11	17.40	7.51		
80-36	72.5	16.87	1.21	17.34	1.21	17.69	1.21	17.87	1.21	18.08	1.21	18.19	1.34	18.30	1.61	18.37	2.01	18.43	2.55
	145	15.55	2.01	16.42	2.01	17.03	2.01	17.37	2.01	17.71	2.01	17.93	2.15	18.11	2.41	18.27	2.82	18.35	3.35
	217.5	14.31	2.82	15.55	2.82	16.42	2.82	16.90	2.82	17.37	2.82	17.69	2.95	17.93	3.08	18.16	3.62	18.27	4.16
	290	13.15	3.49	14.73	3.49	15.84	3.49	16.45	3.49	17.05	3.49	17.45	3.75	17.77	3.89	18.06	4.43	18.19	4.96
	362.5	12.04	4.29	13.94	4.29	15.29	4.29	16.00	4.29	16.74	4.29	17.21	4.43	17.61	4.69	17.95	5.23	18.11	5.77
	435	10.93	5.10	13.15	5.10	14.73	5.10	15.58	5.10	16.45	5.10	17.00	5.23	17.45	5.50	17.85	6.03	18.06	6.44
	507.5	9.87	5.90	12.41	5.90	14.20	5.90	15.18	5.90	16.16	5.90	16.79	6.03	17.29	6.30	17.77	6.71	17.98	7.24
580			11.67	6.71	13.68	6.71	14.78	6.71	15.87	6.71	16.58	6.84	17.16	7.11	17.66	7.51	17.93	8.05	
80-42	72.5	20.22	1.34	20.88	1.34	21.36	1.34	21.62	1.34	21.89	1.34	22.04	1.48	22.18	1.74	22.28	2.28	22.36	2.68
	145	18.40	2.28	19.59	2.28	20.46	2.28	20.91	2.28	21.38	2.28	21.67	2.41	21.91	2.68	22.12	3.22	22.23	3.75
	217.5	16.71	3.22	18.40	3.22	19.62	3.22	20.25	3.22	20.91	3.22	21.33	3.35	21.67	3.62	21.99	4.16	22.12	4.69
	290	15.13	4.16	17.29	4.16	18.80	4.16	19.64	4.16	20.49	4.16	21.01	4.43	21.46	4.56	21.83	5.10	22.04	5.63
	362.5	13.57	5.23	16.18	5.23	18.03	5.23	19.03	5.23	20.06	5.23	20.72	5.36	21.23	5.50	21.70	6.03	21.94	6.57
	435			15.13	6.17	17.29	6.17	18.45	6.17	19.64	6.17	20.41	6.30	21.01	6.57	21.57	6.97	21.83	7.51
	507.5			14.10	7.11	16.55	7.11	17.90	7.11	19.25	7.11	20.12	7.24	20.83	7.51	21.44	7.91	21.75	8.45
580					15.84	8.05	17.34	8.05	18.85	8.05	19.83	8.18	20.62	8.45	21.30	8.85	21.65	9.39	
80-46	72.5	24.18	1.48	24.87	1.48	25.32	1.48	25.58	1.48	25.85	1.48	26.00	1.74	26.14	1.88	26.27	2.41	26.32	2.95
	145	22.36	2.68	23.58	2.68	24.42	2.68	24.87	2.68	25.34	2.68	25.63	2.82	25.90	3.08	26.11	3.49	26.22	4.02
	217.5	20.70	3.75	22.39	3.75	23.58	3.75	24.24	3.75	24.90	3.75	25.32	3.89	25.66	4.16	25.95	4.56	26.11	5.10
	290	19.09	4.83	21.25	4.83	22.78	4.83	23.60	4.83	24.45	4.83	25.00	5.10	25.42	5.23	25.82	5.77	26.00	6.30
	362.5	17.56	6.03	20.17	6.03	22.02	6.03	23.02	6.03	24.02	6.03	24.68	6.17	25.21	6.44	25.66	6.84	25.90	7.38
	435			19.11	7.11	21.25	7.11	22.44	7.11	23.60	7.11	24.39	7.24	25.00	7.51	25.53	8.05	25.82	8.45
	507.5					20.54	8.31	21.86	8.31	23.21	8.31	24.10	8.45	24.79	8.58	25.42	9.12	25.71	9.66
580							21.30	9.39	22.84	9.39	23.81	9.52	24.58	9.79	25.29	10.19	25.63	10.73	
80-54	72.5	31.44	1.88	32.50	1.88	33.24	1.88	33.66	1.88	34.08	1.88	34.35	2.01	34.56	2.28	34.74	2.68	34.85	3.22
	145	28.51	3.35	30.44	3.35	31.79	3.35	32.52	3.35	33.26	3.35	33.77	3.49	34.14	3.75	34.48	4.29	34.66	4.69
	217.5	25.82	4.83	28.54	4.83	30.44	4.83	31.50	4.83	32.52	4.83	33.21	4.96	33.77	5.23	34.24	5.77	34.48	6.30
	290			26.72	6.30	29.17	6.30	30.49	6.30	31.84	6.30	32.71	6.44	33.40	6.71	34.03	7.24	34.32	7.78
	362.5					27.93	7.78	29.54	7.78	31.15	7.78	32.21	8.05	33.05	8.18	33.79	8.72	34.16	9.25
	435							28.62	9.25	30.49	9.25	31.73	9.52	32.71	9.66	33.58	10.19	34.03	10.73
	507.5							27.72	10.86	29.86	10.86	31.26	11.00	32.39	11.13	33.37	11.67	33.87	12.20
580								29.25	12.34	30.81	12.47	32.05	12.61	33.18	13.14	33.74	13.68		
120-42	72.5	28.88	2.01	29.75	2.01	30.36	2.01	30.68	2.01	31.02	2.01	31.23	2.28	31.42	2.68	31.55	3.49	31.63	4.43
	145	26.53	3.35	28.09	3.35	29.17	3.35	29.78	3.35	30.39	3.35	30.76	3.62	31.07	4.02	31.36	4.83	31.50	5.77
	217.5	24.37	4.69	26.56	4.69	28.09	4.69	28.93	4.69	29.78	4.69	30.33	4.96	30.76					

Speed n=1750 r/min

METRIC

Size	Pressure ΔP Bar	Viscosity (mm ² /s)																	
		3		6		12		20		40		75		150		380		760	
		Flow L/min	Power kW	Flow L/min	Power kW	Flow L/min	Power kW	Flow L/min	Power kW	Flow L/min	Power kW	Flow L/min	Power kW	Flow L/min	Power kW	Flow L/min	Power kW	Flow L/min	Power kW
40-38	5.0	34.6	0.50	35.7	0.50	36.6	0.50	37	0.50	37.4	0.50	37.7	0.60	37.9	0.70	38.1	1.00	38.3	1.30
	10.0	31.5	0.9	33.5	0.9	35	0.9	35.8	0.9	36.6	0.9	37.1	0.9	37.5	1.1	37.9	1.3	38.1	1.6
	15.0	28.6	1.2	31.5	1.2	33.6	1.2	34.7	1.2	35.8	1.2	36.5	1.3	37.1	1.4	37.6	1.6	37.9	1.9
	20.0	25.9	1.5	29.6	1.5	32.2	1.5	33.6	1.5	35	1.5	36	1.6	36.7	1.7	37.4	2	37.7	2.2
	25.0	23.2	1.8	27.7	1.8	30.9	1.8	32.6	1.8	34.3	1.8	35.4	1.9	36.3	2	37.1	2.3	37.5	2.6
	30.0	20.7	2.1	25.9	2.1	29.6	2.1	31.6	2.1	33.6	2.1	34.9	2.2	36	2.3	36.9	2.6	37.4	2.9
	35.0			24.1	2.5	28.3	2.5	30.6	2.5	32.9	2.5	34.4	2.5	35.6	2.7	36.7	2.9	37.2	3.2
	40.0			22.4	2.8	27.1	2.8	29.7	2.8	32.3	2.8	33.9	2.9	35.3	3	36.5	3.2	37.1	3.5
40-46	5.0	46.1	0.6	47.6	0.6	48.7	0.6	49.3	0.6	49.9	0.6	50.3	0.7	50.6	0.9	50.9	1.1	51	1.4
	10.0	41.8	1.1	44.6	1.1	46.6	1.1	47.6	1.1	48.7	1.1	49.4	1.2	50	1.3	50.5	1.5	50.7	1.8
	15.0	37.9	1.5	41.8	1.5	44.6	1.5	46.1	1.5	47.7	1.5	48.6	1.6	49.4	1.7	50.1	2	50.5	2.2
	20.0	34.2	1.9	39.2	1.9	42.8	1.9	44.7	1.9	46.6	1.9	47.9	2	48.9	2.1	49.8	2.4	50.3	2.7
	25.0	30.6	2.4	36.7	2.4	41	2.4	43.3	2.4	45.7	2.4	47.2	2.4	48.4	2.6	49.5	2.8	50	3.1
	30.0			34.2	2.8	39.2	2.8	42	2.8	44.7	2.8	46.5	2.9	47.9	3	49.2	3.2	49.8	3.5
	35.0					37.5	3.2	40.7	3.2	43.8	3.2	45.8	3.3	47.4	3.4	48.9	3.7	49.6	3.9
	40.0							39.4	3.6	42.9	3.6	45.2	3.7	47	3.8	48.6	4.1	49.4	4.4
40-54	5.0	60.5	0.8	63	0.8	64.8	0.8	65.7	0.8	66.7	0.8	67.3	0.9	67.8	1	68.2	1.2	68.4	1.5
	10.0	53.8	1.4	58.2	1.4	61.4	1.4	63.1	1.4	64.8	1.4	65.9	1.4	66.8	1.6	67.6	1.8	68	2.1
	15.0	47.5	1.9	53.8	1.9	58.2	1.9	60.7	1.9	63.1	1.9	64.7	2	65.9	2.1	67.1	2.4	67.6	2.7
	20.0			49.6	2.5	55.3	2.5	58.4	2.5	61.5	2.5	63.5	2.6	65.1	2.7	66.5	3	67.2	3.3
	25.0					52.4	3.1	56.1	3.1	59.9	3.1	62.3	3.2	64.3	3.3	66	3.5	66.9	3.8
	30.0							54	3.7	58.4	3.7	61.2	3.7	63.5	3.9	65.5	4.1	66.5	4.4
	35.0							51.9	4.2	56.9	4.2	60.2	4.3	62.7	4.4	65.1	4.7	66.2	5
	40.0									55.4	4.8	59.1	4.9	62	5	64.6	5.3	65.9	5.6
80-36	5.0	63.9	0.9	65.7	0.9	67	0.9	67.7	0.9	68.5	0.9	68.9	1	69.3	1.2	69.6	1.5	69.8	1.9
	10.0	58.9	1.5	62.2	1.5	64.5	1.5	65.8	1.5	67.1	1.5	67.9	1.6	68.6	1.8	69.2	2.1	69.5	2.5
	15.0	54.2	2.1	58.9	2.1	62.2	2.1	64	2.1	65.8	2.1	67	2.2	67.9	2.3	68.8	2.7	69.2	3.1
	20.0	49.8	2.6	55.8	2.6	60	2.6	62.3	2.6	64.6	2.6	66.1	2.8	67.3	2.9	68.4	3.3	68.9	3.7
	25.0	45.6	3.2	52.8	3.2	57.9	3.2	60.6	3.2	63.4	3.2	65.2	3.3	66.7	3.5	68	3.9	68.6	4.3
	30.0	41.4	3.8	49.8	3.8	55.8	3.8	59	3.8	62.3	3.8	64.4	3.9	66.1	4.1	67.6	4.5	68.4	4.8
	35.0	37.4	4.4	47	4.4	53.8	4.4	57.5	4.4	61.2	4.4	63.6	4.5	65.5	4.7	67.3	5	68.1	5.4
	40.0			44.2	5	51.8	5	56	5	60.1	5	62.8	5.1	65	5.3	66.9	5.6	67.9	6
80-42	5.0	76.6	1	79	1	80.8	1	81.8	1	82.8	1	83.4	1.1	83.9	1.3	84.3	1.7	84.6	2
	10.0	69.7	1.7	74.2	1.7	77.4	1.7	79.1	1.7	80.9	1.7	82	1.8	82.9	2	83.7	2.4	84.1	2.8
	15.0	63.3	2.4	69.7	2.4	74.3	2.4	76.7	2.4	79.1	2.4	80.7	2.5	82	2.7	83.2	3.1	83.7	3.5
	20.0	57.3	3.1	65.5	3.1	71.2	3.1	74.4	3.1	77.5	3.1	79.5	3.3	81.2	3.4	82.6	3.8	83.4	4.2
	25.0	51.4	3.9	61.3	3.9	68.3	3.9	72.1	3.9	76	3.9	78.4	4	80.3	4.1	82.1	4.5	83	4.9
	30.0			57.3	4.6	65.5	4.6	69.9	4.6	74.4	4.6	77.2	4.7	79.5	4.9	81.6	5.2	82.6	5.6
	35.0			53.4	5.3	62.7	5.3	67.8	5.3	72.9	5.3	76.2	5.4	78.8	5.6	81.1	5.9	82.3	6.3
	40.0					60	6	65.7	6	71.4	6	75.1	6.1	78	6.3	80.6	6.6	81.9	7
80-46	5.0	91.5	1.1	94.1	1.1	95.8	1.1	96.8	1.1	97.8	1.1	98.4	1.3	98.9	1.4	99.4	1.8	99.6	2.2
	10.0	84.6	2	89.2	2	92.4	2	94.1	2	95.9	2	97	2.1	98	2.3	98.8	2.6	99.2	3
	15.0	78.3	2.8	84.7	2.8	89.2	2.8	91.7	2.8	94.2	2.8	95.8	2.9	97.1	3.1	98.2	3.4	98.8	3.8
	20.0	72.3	3.6	80.4	3.6	86.2	3.6	89.3	3.6	92.5	3.6	94.6	3.8	96.2	3.9	97.7	4.3	98.4	4.7
	25.0	66.5	4.5	76.4	4.5	83.3	4.5	87.1	4.5	90.9	4.5	93.4	4.6	95.4	4.8	97.1	5.1	98	5.5
	30.0			72.4	5.3	80.4	5.3	84.9	5.3	89.3	5.3	92.3	5.4	94.6	5.6	96.6	6	97.7	6.3
	35.0					77.7	6.2	82.7	6.2	87.8	6.2	91.2	6.3	93.8	6.4	96.2	6.8	97.3	7.2
	40.0							80.6	7	86.4	7	90.1	7.1	93	7.3	95.7	7.6	97	8
80-54	5.0	119	1.4	123	1.4	126	1.4	127	1.4	129	1.4	130	1.5	131	1.7	132	2	132	2.4
	10.0	108	2.5	115	2.5	120	2.5	123	2.5	126	2.5	128	2.6	129	2.8	131	3.2	131	3.5
	15.0	97.7	3.6	108	3.6	115	3.6	119	3.6	123	3.6	126	3.7	128	3.9	130	4.3	131	4.7
	20.0			101	4.7	110	4.7	115	4.7	121	4.7	124	4.8	126	5	129	5.4	130	5.8
	25.0					106	5.8	112	5.8	118	5.8	122	6	125	6.1	128	6.5	129	6.9
	30.0							108	6.9	115	6.9	120	7.1	124	7.2	127	7.6	129	8
	35.0							105	8.1	113	8.1	118	8.2	123	8.3	126	8.7	128	9.1
	40.0									111	9.2	117	9.3	121	9.4	126	9.8	128	10.2
120-42	5.0	109	1.5	113	1.5	115	1.5	116	1.5	117	1.5	118	1.7	119	2	119	2.6	120	3.3
	10.0	100	2.5	106	2.5	110	2.5	113	2.5	115	2.5	116	2.7	118	3	119	3.6	119	4.3
	15.0	92.2	3.5	101	3.5	106	3.5	110	3.5	113	3.5	115	3.7	116	4	118	4.6	119	5.3
	20.0	84.4	4.5	94.9	4.5	102	4.5	107	4.5	111	4.5	113	4.7	115	5	117	5.6	118	6.3
	25.0	76.9	5.5	89.6	5.5	98.6	5.5	104	5.5	109	5.5	112	5.7	114	6	117	6.6	118	7.3
	30.0			84.4	6.6	95	6.6	101	6.6	107	6.6	110	6.7	113	7	116	7.6	117	8.3
	35.0			79.4	7.6	91.4	7.6	98	7.6	105	7.6	109	7.7	112	8	115	8.6	117	9.3
	40.0					87.9	8.6	95.3	8.6	103	8.6	107	8.8	111	9.1	115	9.7	116	10.3

Values in the blue area of the table are not recommended. Blackmer reserves the right to change the data in the table without prior notice.

U.S. STANDARD

Speed n=1750 r/min

Size	Pressure PSI	Viscosity (mm ² /s)																	
		3		6		12		20		40		75		150		380		760	
		Flow GPM	Power HP	Flow GPM	Power HP	Flow GPM	Power HP	Flow GPM	Power HP	Flow GPM	Power HP	Flow GPM	Power HP	Flow GPM	Power HP	Flow GPM	Power HP	Flow GPM	Power HP
120-46	72.5	34.74	2.28	35.61	2.28	36.22	2.28	36.54	2.28	36.88	2.28	37.09	2.55	37.28	2.95	37.41	3.75	37.49	4.69
	145	32.39	3.89	33.95	3.89	35.03	3.89	35.64	3.89	36.25	3.89	36.62	4.16	36.93	4.56	37.22	5.36	37.36	6.30
	217.5	30.23	5.50	32.42	5.50	33.95	5.50	34.80	5.50	35.64	5.50	36.19	5.77	36.62	6.17	37.01	6.97	37.22	7.91
	290	28.17	7.11	30.94	7.11	32.92	7.11	34.00	7.11	35.09	7.11	35.77	7.38	36.33	7.78	36.83	8.58	37.09	9.39
	362.5	26.19	8.72	29.54	8.72	31.92	8.72	33.24	8.72	34.53	8.72	35.38	8.98	36.06	9.39	36.67	10.19	36.96	11.00
	435			28.20		30.97	10.33	32.47	10.33	34.00	10.33	35.01	10.59	35.77	11.00	36.48	11.80	36.83	12.61
	507.5					30.02	11.93	31.76	11.93	33.48	11.93	34.61	12.07	35.51	12.47	36.33	13.28	36.72	14.21
580							31.05	13.41	32.97	13.41	34.24	13.68	35.24	14.08	36.17	14.89	36.62	15.82	
120-54	72.5	45.57	2.82	46.94	2.82	47.89	2.82	48.42	2.82	48.95	2.82	49.32	3.08	49.58	3.49	49.82	4.29	49.95	5.23
	145	41.79	4.96	44.27	4.96	46.02	4.96	46.97	4.96	47.92	4.96	48.55	5.23	49.05	5.63	49.50	6.44	49.71	7.38
	217.5	38.31	7.11	41.82	7.11	44.27	7.11	45.62	7.11	46.97	7.11	47.86	7.38	48.55	7.78	49.18	8.58	49.50	9.39
	290			39.47		42.64	9.25	44.35	9.25	46.07	9.25	47.20	9.52	48.10	9.92	48.89	10.73	49.29	11.53
	362.5					41.03	11.40	43.11	11.40	45.20	11.40	46.57	11.53	47.65	11.93	48.60	12.74	49.08	13.68
	435							41.92	13.41	44.35	13.41	45.94	13.68	47.20	14.08	48.34	14.89	48.89	15.82
	507.5							40.76	15.56	43.53	15.56	45.33	15.82	46.78	16.23	48.07	17.03	48.71	17.97
580									42.72	17.70	44.75	17.97	46.36	18.37	47.81	19.18	48.52	20.12	
210-40	72.5	50.45	3.35	51.43	3.35	52.11	3.35	52.51	3.35	52.88	3.35	53.12	3.75	53.33	4.43	53.49	5.63	53.59	7.11
	145	47.78	5.63	49.55	5.63	50.79	5.63	51.48	5.63	52.14	5.63	52.59	6.03	52.93	6.71	53.25	7.91	53.41	9.39
	217.5	45.33	7.91	47.81	7.91	49.55	7.91	50.50	7.91	51.48	7.91	52.09	8.31	52.59	8.98	53.04	10.19	53.25	11.53
	290	42.98	10.19	46.15	10.19	48.39	10.19	49.61	10.19	50.82	10.19	51.64	10.59	52.27	11.26	52.83	12.47	53.12	13.81
	362.5	40.74	12.47	44.56	12.47	47.26	12.47	48.73	12.47	50.21	12.47	51.19	12.87	51.93	13.54	52.62	14.75	52.96	16.09
	435	38.54	14.75	43.01	14.75	46.17	14.75	47.89	14.75	49.61	14.75	50.74	15.15	51.64	15.82	52.43	17.03	52.83	18.37
	507.5			41.50	17.03	45.09	17.03	47.04	17.03	49.02	17.03	50.32	17.43	51.32	18.10	52.25	19.31	52.69	20.65
580					44.06	19.31	46.25	19.31	48.44	19.31	49.90	19.71	51.03	20.38	52.06	21.59	52.56	22.93	
210-46	72.5	63.02	3.89	64.34	3.89	65.29	3.89	65.79	3.89	66.32	3.89	66.63	4.29	66.90	4.96	67.14	6.17	67.27	7.64
	145	59.37	6.84	61.75	6.84	63.47	6.84	64.39	6.84	65.31	6.84	65.92	7.24	66.40	7.78	66.82	9.12	67.03	10.46
	217.5	55.99	9.66	59.37	9.66	61.78	9.66	63.07	9.66	64.39	9.66	65.23	10.06	65.92	10.73	66.53	11.93	66.82	13.41
	290	52.80	12.47	57.13	12.47	60.17	12.47	61.83	12.47	63.52	12.47	64.60	12.87	65.47	13.54	66.24	14.75	66.63	16.23
	362.5	49.71	15.42	54.94	15.42	58.63	15.42	60.64	15.42	62.67	15.42	63.99	15.82	65.02	16.36	65.97	17.70	66.42	19.04
	435			52.83	18.24	57.13	18.24	59.48	18.24	61.86	18.24	63.39	18.64	64.60	19.31	65.71	20.52	66.24	21.86
	507.5					55.68	21.05	58.34	21.05	61.04	21.05	62.81	21.46	64.18	22.13	65.45	23.33	66.05	24.81
580							57.26	24.00	60.27	24.00	62.22	24.41	63.78	24.94	65.18	26.28	65.87	27.62	
210-54	72.5	82.79	4.96	84.93	4.96	86.43	4.96	87.25	4.96	88.07	4.96	88.60	5.36	89.05	5.90	89.42	7.24	89.60	8.58
	145	76.98	8.72	80.81	8.72	83.53	8.72	84.98	8.72	86.49	8.72	87.44	9.12	88.20	9.79	88.89	11.00	89.23	12.34
	217.5	71.57	12.47	76.98	12.47	80.81	12.47	82.90	12.47	85.01	12.47	86.35	12.87	87.44	13.54	88.41	14.75	88.92	16.23
	290			73.37	16.36	78.25	16.36	80.92	16.36	83.61	16.36	85.35	16.76	86.72	17.43	87.96	18.64	88.57	19.98
	362.5					75.79	20.12	79.02	20.12	82.26	20.12	84.35	20.52	86.04	21.19	87.52	22.39	88.28	23.87
	435							77.17	24.00	80.94	24.00	83.40	24.41	85.35	24.94	87.09	26.28	87.96	27.62
	507.5							75.35	27.76	79.68	27.76	82.47	28.16	84.69	28.83	86.70	30.04	87.67	31.51
580									78.41	31.65	81.55	32.05	84.06	32.59	86.28	33.93	87.38	35.27	
280-43	72.5	73.42	4.96	75.00	4.96	76.16	4.96	76.77	4.96	77.40	4.96	77.80	5.63	78.12	6.57	78.41	8.45	78.57	10.59
	145	69.01	8.31	71.89	8.31	73.95	8.31	75.06	8.31	76.19	8.31	76.93	8.98	77.51	9.92	78.01	11.80	78.28	13.95
	217.5	64.92	11.67	69.01	11.67	71.91	11.67	73.50	11.67	75.08	11.67	76.11	12.34	76.93	13.28	77.67	15.15	78.01	17.30
	290	61.06	15.02	66.29	15.02	69.99	15.02	71.99	15.02	74.00	15.02	75.32	15.69	76.38	16.63	77.33	18.51	77.77	20.65
	362.5	57.31	18.37	63.65	18.37	68.11	18.37	70.54	18.37	73.00	18.37	74.58	18.91	75.85	19.98	76.98	21.86	77.54	23.87
	435			61.09	21.72	66.32	21.72	69.14	21.72	71.99	21.72	73.87	22.26	75.35	23.20	76.67	25.21	77.33	27.22
	507.5			58.61	25.08	64.55	25.08	67.77	25.08	71.04	25.08	73.15	25.61	74.84	26.55	76.35	28.43	77.09	30.57
580					62.81	28.43	66.45	28.43	70.09	28.43	72.47	28.97	74.34	29.90	76.03	31.78	76.88	33.93	
280-46	72.5	83.82	5.50	85.43	5.50	86.57	5.50	87.20	5.50	87.81	5.50	88.23	6.03	88.55	6.97	88.84	8.85	88.97	11.00
	145	79.41	9.25	82.32	9.25	84.37	9.25	85.48	9.25	86.62	9.25	87.33	9.79	87.91	10.73	88.44	12.74	88.70	14.75
	217.5	75.35	13.01	79.44	13.01	82.34	13.01	83.90	13.01	85.48	13.01	86.51	13.68	87.33	14.62	88.07	16.49	88.44	18.64
	290	71.46	16.76	76.69	16.76	80.39	16.76	82.42	16.76	84.43	16.76	85.75	17.43	86.80	18.37	87.73	20.25	88.20	22.39
	362.5	67.74	20.52	74.08	20.52	78.54	20.52	80.97	20.52	83.42	20.52	85.01	21.19	86.28	22.13	87.41	24.00	87.96	26.15
	435			71.52	24.41	76.72	24.41	79.57	24.41	82.42	24.41	84.27	24.94	85.75	25.88	87.09	27.76	87.73	29.90
	507.5					74.95	28.16	78.20	28.16	81.44	28.16	83.58	28.70	85.25	29.64	86.78	31.65	87.52	33.66
580							76.85	31.92	80.52	31.92	82.90	32.59	84.77	33.53	86.46	35.40	87.30	37.55	
280-54	72.5	110.30	6.71	112.89	6.71	114.71	6.71	115.68	6.71	116.69	6.71	117.35	7.38	117.85	8.31	118.32	10.19	118.54	12.34
	145	103.25	11.80	107.90	11.80	111.17	11.80	112.97	11.80	114.76	11.80	115.92	12.34	116.85	13.28	117.69	15.15	118.09	17.30
	217.5	96.73	16.76	103.28	16.76	107.92	16.76	110.43	16.76	112.97	16.76	114.63	17.43	115.92	18.37	117.11	20.25	117.69	22.39
	290			98.89	21.86	104.81	21.86	108.03	21.86	111.28	21.86	113.39	22.39	115.05	23.33	116.56	25.34	117.30	27.36
	362.5					101.82	26.82	105.73	26.82	109.64	26.82	112.20	27.49	114.21	28.43	116.03	30.31	116.93	32.45
	435							103.49	31.92	108.06	31.92	111.04	32.59	113.39	33.53	115.50	35.40	116.56	37.55
	507.5							101.30	37.01	106.50	37.01	109.90	37.55	112.60	38.49	115.00	40.36	116.21	42.51
580									104.99	41.97	108.79	42.64	111.80	43.58	114.52	45.46	115.87	47.61	

Speed n=1750 r/min

METRIC

Size	Pressure ΔP Bar	Viscosity (mm ² /s)																	
		3		6		12		20		40		75		150		380		760	
		Flow L/min	Power kW	Flow L/min	Power kW	Flow L/min	Power kW	Flow L/min	Power kW	Flow L/min	Power kW	Flow L/min	Power kW	Flow L/min	Power kW	Flow L/min	Power kW	Flow L/min	Power kW
120-46	5.0	132	1.7	135	1.7	137	1.7	138	1.7	140	1.7	140	1.9	141	2.2	142	2.8	142	3.5
	10.0	123	2.9	129	2.9	133	2.9	135	2.9	137	2.9	139	3.1	140	3.4	141	4	141	4.7
	15.0	114	4.1	123	4.1	129	4.1	132	4.1	135	4.1	137	4.3	139	4.6	140	5.2	141	5.9
	20.0	107	5.3	117	5.3	125	5.3	129	5.3	133	5.3	135	5.5	138	5.8	139	6.4	140	7
	25.0	99.1	6.5	112	6.5	121	6.5	126	6.5	131	6.5	134	6.7	137	7	139	7.6	140	8.2
	30.0			107	7.7	117	7.7	123	7.7	129	7.7	133	7.9	135	8.2	138	8.8	139	9.4
	35.0					114	8.9	120	8.9	127	8.9	131	9	134	9.3	138	9.9	139	10.6
	40.0						118	10	125	10	130	10.2	133	10.5	137	11.1	139	11.8	
120-54	5.0	172	2.1	178	2.1	181	2.1	183	2.1	185	2.1	187	2.3	188	2.6	189	3.2	189	3.9
	10.0	158	3.7	168	3.7	174	3.7	178	3.7	181	3.7	184	3.9	186	4.2	187	4.8	188	5.5
	15.0	145	5.3	158	5.3	168	5.3	173	5.3	178	5.3	181	5.5	184	5.8	186	6.4	187	7
	20.0			149	6.9	161	6.9	168	6.9	174	6.9	179	7.1	182	7.4	185	8	187	8.6
	25.0					155	8.5	163	8.5	171	8.5	176	8.6	180	8.9	184	9.5	186	10.2
	30.0							159	10	168	10	174	10.2	179	10.5	183	11.1	185	11.8
	35.0							154	11.6	165	11.6	172	11.8	177	12.1	182	12.7	184	13.4
	40.0								162	13.2	169	13.4	175	13.7	181	14.3	184	15	
210-40	5.0	191	2.5	195	2.5	197	2.5	199	2.5	200	2.5	201	2.8	202	3.3	202	4.2	203	5.3
	10.0	181	4.2	188	4.2	192	4.2	195	4.2	197	4.2	199	4.5	200	5	202	5.9	202	7
	15.0	172	5.9	181	5.9	188	5.9	191	5.9	195	5.9	197	6.2	199	6.7	201	7.6	202	8.6
	20.0	163	7.6	175	7.6	183	7.6	188	7.6	192	7.6	195	7.9	198	8.4	200	9.3	201	10.3
	25.0	154	9.3	169	9.3	179	9.3	184	9.3	190	9.3	194	9.6	197	10.1	199	11	200	12
	30.0	146	11	163	11	175	11	181	11	188	11	192	11.3	195	11.8	198	12.7	200	13.7
	35.0			157	12.7	171	12.7	178	12.7	186	12.7	190	13	194	13.5	198	14.4	199	15.4
	40.0					167	14.4	175	14.4	183	14.4	189	14.7	193	15.2	197	16.1	199	17.1
210-46	5.0	239	2.9	244	2.9	247	2.9	249	2.9	251	2.9	252	3.2	253	3.7	254	4.6	255	5.7
	10.0	225	5.1	234	5.1	240	5.1	244	5.1	247	5.1	250	5.4	251	5.8	253	6.8	254	7.8
	15.0	212	7.2	225	7.2	234	7.2	239	7.2	244	7.2	247	7.5	250	8	252	8.9	253	10
	20.0	200	9.3	216	9.3	228	9.3	234	9.3	240	9.3	245	9.6	248	10.1	251	11	252	12.1
	25.0	188	11.5	208	11.5	222	11.5	230	11.5	237	11.5	242	11.8	246	12.2	250	13.2	251	14.2
	30.0			200	13.6	216	13.6	225	13.6	234	13.6	240	13.9	245	14.4	249	15.3	251	16.3
	35.0					211	15.7	221	15.7	231	15.7	238	16	243	16.5	248	17.4	250	18.5
	40.0						217	17.9	228	17.9	236	18.2	241	18.6	247	19.6	249	20.6	
210-54	5.0	313	3.7	321	3.7	327	3.7	330	3.7	333	3.7	335	4	337	4.4	338	5.4	339	6.4
	10.0	291	6.5	306	6.5	316	6.5	322	6.5	327	6.5	331	6.8	334	7.3	336	8.2	338	9.2
	15.0	271	9.3	291	9.3	306	9.3	314	9.3	322	9.3	327	9.6	331	10.1	335	11	337	12.1
	20.0			278	12.2	296	12.2	306	12.2	316	12.2	323	12.5	328	13	333	13.9	335	14.9
	25.0					287	15	299	15	311	15	319	15.3	326	15.8	331	16.7	334	17.8
	30.0							292	17.9	306	17.9	316	18.2	323	18.6	330	19.6	333	20.6
	35.0							285	20.7	302	20.7	312	21	321	21.5	328	22.4	332	23.5
	40.0								297	23.6	309	23.9	318	24.3	327	25.3	331	26.3	
280-43	5.0	278	3.7	284	3.7	288	3.7	291	3.7	293	3.7	295	4.2	296	4.9	297	6.3	297	7.9
	10.0	261	6.2	272	6.2	280	6.2	284	6.2	288	6.2	291	6.7	293	7.4	295	8.8	296	10.4
	15.0	246	8.7	261	8.7	272	8.7	278	8.7	284	8.7	288	9.2	291	9.9	294	11.3	295	12.9
	20.0	231	11.2	251	11.2	265	11.2	273	11.2	280	11.2	285	11.7	289	12.4	293	13.8	294	15.4
	25.0	217	13.7	241	13.7	258	13.7	267	13.7	276	13.7	282	14.1	287	14.9	291	16.3	294	17.8
	30.0			231	16.2	251	16.2	262	16.2	273	16.2	280	16.6	285	17.3	290	18.8	293	20.3
	35.0			222	18.7	244	18.7	257	18.7	269	18.7	277	19.1	283	19.8	289	21.2	292	22.8
	40.0					238	21.2	252	21.2	265	21.2	274	21.6	281	22.3	288	23.7	291	25.3
280-46	5.0	317	4.1	323	4.1	328	4.1	330	4.1	334	4.1	334	4.5	335	5.2	336	6.6	337	8.2
	10.0	301	6.9	312	6.9	319	6.9	324	6.9	328	6.9	331	7.3	333	8	335	9.5	336	11
	15.0	285	9.7	301	9.7	312	9.7	318	9.7	324	9.7	327	10.2	331	10.9	333	12.3	335	13.9
	20.0	271	12.5	290	12.5	304	12.5	312	12.5	320	12.5	325	13	329	13.7	332	15.1	334	16.7
	25.0	256	15.3	280	15.3	297	15.3	307	15.3	316	15.3	322	15.8	327	16.5	331	17.9	333	19.5
	30.0			271	18.2	290	18.2	301	18.2	312	18.2	319	18.6	325	19.3	330	20.7	332	22.3
	35.0					284	21	296	21	308	21	316	21.4	323	22.1	328	23.6	331	25.1
	40.0						291	23.8	305	23.8	314	24.3	321	25	327	26.4	330	28	
280-54	5.0	418	5	427	5	434	5	438	5	442	5	444	5.5	446	6.2	448	7.6	449	9.2
	10.0	391	8.8	408	8.8	421	8.8	428	8.8	434	8.8	439	9.2	442	9.9	446	11.3	447	12.9
	15.0	366	12.5	391	12.5	409	12.5	418	12.5	428	12.5	434	13	439	13.7	443	15.1	446	16.7
	20.0			374	16.3	397	16.3	409	16.3	421	16.3	429	16.7	436	17.4	441	18.9	444	20.4
	25.0					385	20	400	20	415	20	425	20.5	432	21.2	439	22.6	443	24.2
	30.0							392	23.8	409	23.8	420	24.3	429	25	437	26.4	441	28
	35.0							383	27.6	403	27.6	416	28	426	28.7	435	30.1	440	31.7
	40.0								397	31.3	412	31.8	423	32.5	434	33.9	439	35.5	

Values in the blue area of the table are not recommended. Blackmer reserves the right to change the data in the table without prior notice.

U.S. STANDARD

Speed n=1750 r/min

Size	Pressure PSI	Viscosity (mm ² /s)																	
		3		6		12		20		40		75		150		380		760	
		Flow GPM	Power HP	Flow GPM	Power HP	Flow GPM	Power HP	Flow GPM	Power HP	Flow GPM	Power HP	Flow GPM	Power HP	Flow GPM	Power HP	Flow GPM	Power HP	Flow GPM	Power HP
440-40	72.5	105.81	7.11	107.47	7.11	108.64	7.11	109.27	7.11	109.90	7.11	110.33	8.05	110.64	9.39	110.93	12.20	111.09	15.42
	145	101.30	11.93	104.28	11.93	106.37	11.93	107.53	11.93	108.66	11.93	109.43	12.74	110.01	14.21	110.54	16.90	110.80	20.12
	217.5	97.13	16.63	101.32	16.63	104.28	16.63	105.89	16.63	107.53	16.63	108.58	17.43	109.43	18.91	110.17	21.72	110.54	24.81
	290	93.17	21.32	98.52	21.32	102.30	21.32	104.36	21.32	106.44	21.32	107.79	22.26	108.85	23.60	109.82	26.42	110.30	29.50
	362.5	89.36	26.02	95.83	26.02	100.40	26.02	102.88	26.02	105.39	26.02	107.03	26.95	108.32	28.30	109.48	31.11	110.06	34.20
	435	85.64	30.71	93.19	30.71	98.55	30.71	101.46	30.71	104.39	30.71	106.29	31.65	107.79	32.99	109.16	35.80	109.82	38.89
	507.5			90.66	35.40	96.73	35.40	100.06	35.40	103.38	35.40	105.57	36.34	107.29	37.82	108.82	40.50	109.59	43.72
580				94.96	40.23	98.68	40.23	102.43	40.23	104.86	41.03	106.79	42.51	108.50	45.33	109.38	48.41		
440-46	72.5	134.14	8.45	136.41	8.45	137.99	8.45	138.86	8.45	139.74	8.45	140.29	9.39	140.74	10.73	141.16	13.54	141.35	16.63
	145	127.99	14.48	132.03	14.48	134.90	14.48	136.46	14.48	138.05	14.48	139.08	15.29	139.87	16.76	140.61	19.58	140.98	22.66
	217.5	122.28	20.52	128.01	20.52	132.05	20.52	134.27	20.52	136.49	20.52	137.91	21.32	139.08	22.80	140.10	25.48	140.61	28.70
	290	116.85	26.42	124.16	26.42	129.33	26.42	132.16	26.42	134.98	26.42	136.83	27.36	138.31	28.70	139.60	31.51	140.26	34.60
	362.5	111.65	32.45	120.49	32.45	126.75	32.45	130.15	32.45	133.56	32.45	135.80	33.39	137.57	34.73	139.15	37.55	139.95	40.63
	435			116.90	38.49	124.21	38.49	128.17	38.49	132.18	38.49	134.77	39.43	136.86	40.77	138.71	43.58	139.63	46.67
	507.5				121.73	44.52	126.27	44.52	130.84	44.52	133.80	45.33	136.14	46.80	138.26	49.62	139.31	52.70	
580					124.40	50.42	129.49	50.42	132.82	51.36	135.46	52.70	137.83	55.52	139.00	58.74			
440-52	72.5	154.86	9.52	158.48	9.52	161.01	9.52	162.41	9.52	163.79	9.52	164.71	10.46	165.42	11.80	166.08	14.62	166.40	17.70
	145	145.02	16.63	151.51	16.63	156.08	16.63	158.58	16.63	161.09	16.63	162.73	17.43	164.02	18.91	165.18	21.72	165.77	24.81
	217.5	135.91	23.74	145.07	23.74	151.54	23.74	155.05	23.74	158.61	23.74	160.91	24.54	162.73	26.02	164.39	28.70	165.21	31.92
	290	127.25	30.71	138.94	30.71	147.21	30.71	151.69	30.71	156.24	30.71	159.19	31.65	161.52	32.99	163.63	35.80	164.66	38.89
	362.5			133.03	37.82	143.04	37.82	148.47	37.82	153.94	37.82	157.50	38.75	160.33	40.10	162.89	42.91	164.13	46.00
	435					139.00	44.92	145.33	44.92	151.72	44.92	155.89	45.86	159.19	47.20	162.15	50.02	163.63	53.10
	507.5							142.27	52.03	149.58	52.03	154.31	52.84	158.08	54.31	161.46	56.99	163.13	60.21
580								147.44	59.00	152.78	59.94	156.97	61.28	160.78	64.10	162.65	67.18		
440-54	72.5	174.13	10.33	177.72	10.33	180.26	10.33	181.66	10.33	183.06	10.33	183.96	11.26	184.67	12.61	185.33	15.42	185.64	18.51
	145	164.26	18.24	170.76	18.24	175.35	18.24	177.83	18.24	180.34	18.24	181.98	19.18	183.27	20.52	184.46	23.33	185.01	26.42
	217.5	155.15	26.15	164.31	26.15	170.78	26.15	174.29	26.15	177.86	26.15	180.15	26.95	182.00	28.43	183.64	31.25	184.46	34.33
	290			158.19	34.06	166.45	34.06	170.94	34.06	175.48	34.06	178.44	34.87	180.76	36.34	182.87	39.02	183.90	42.24
	362.5					162.28	41.84	167.72	41.84	173.18	41.84	176.75	42.78	179.60	44.12	182.13	46.94	183.37	50.15
	435							164.58	49.75	170.99	49.75	175.14	50.69	178.44	52.03	181.39	54.85	182.87	57.93
	507.5							161.54	57.66	168.83	57.66	173.55	58.60	177.33	59.94	180.71	62.76	182.37	65.84
580								166.72	65.57	172.02	66.51	176.25	67.85	180.02	70.67	181.90	73.76		
660-40	72.5	164.50	10.86	166.72	10.86	168.27	10.86	169.12	10.86	169.96	10.86	170.52	12.07	170.97	14.08	171.36	18.10	171.55	22.66
	145	158.48	18.10	162.44	18.10	165.26	18.10	166.77	18.10	168.33	18.10	169.30	19.44	170.10	21.32	170.81	25.34	171.18	29.90
	217.5	152.91	25.34	158.51	25.34	162.47	25.34	164.63	25.34	166.80	25.34	168.19	26.69	169.33	28.70	170.33	32.72	170.83	37.15
	290	147.60	32.59	154.76	32.59	159.83	32.59	162.57	32.59	165.34	32.59	167.14	33.93	168.56	35.94	169.86	39.96	170.49	44.39
	362.5	142.51	39.96	151.17	39.96	157.26	39.96	160.59	39.96	163.94	39.96	166.11	41.17	167.85	43.18	169.41	47.20	170.17	51.76
	435			147.66	47.20	154.78	47.20	158.69	47.20	162.60	47.20	165.13	48.54	167.14	50.56	168.96	54.58	169.86	59.00
	507.5			144.25	54.44	152.38	54.44	156.82	54.44	161.28	54.44	164.16	55.79	166.48	57.80	168.54	61.82	169.57	66.25
580					150.03	61.82	154.97	61.82	159.98	61.82	163.23	63.03	165.79	65.04	168.12	69.06	169.25	73.62	
660-44	72.5	185.57	11.80	188.58	11.80	190.69	11.80	191.85	11.80	193.04	11.80	193.78	13.14	194.38	15.15	194.94	19.18	195.20	23.60
	145	177.30	20.12	182.74	20.12	186.57	20.12	188.65	20.12	190.77	20.12	192.14	21.46	193.22	23.33	194.20	27.36	194.67	31.92
	217.5	169.67	28.43	177.36	28.43	182.77	28.43	185.70	28.43	188.68	28.43	190.61	29.64	192.14	31.65	193.51	35.67	194.20	40.23
	290	162.44	36.61	172.21	36.61	179.15	36.61	182.90	36.61	186.70	36.61	189.16	37.95	191.11	39.96	192.88	43.98	193.75	48.54
	362.5			167.30	44.92	175.64	44.92	180.21	44.92	184.77	44.92	187.76	46.26	190.13	48.28	192.24	52.30	193.30	56.72
	435			162.49	53.24	172.26	53.24	177.57	53.24	182.93	53.24	186.41	54.58	189.18	56.59	191.66	60.61	192.88	65.04
	507.5					168.96	61.55	175.03	61.55	181.13	61.55	185.09	62.89	188.23	64.90	191.06	68.93	192.46	73.35
580							172.52	69.87	179.36	69.87	183.80	71.07	187.33	73.08	190.50	77.11	192.06	81.67	
660-46	72.5	201.43	12.47	204.44	12.47	206.58	12.47	207.74	12.47	208.90	12.47	209.67	13.81	210.28	15.82	210.80	19.85	211.07	24.27
	145	193.20	21.46	198.61	21.46	202.46	21.46	204.55	21.46	206.63	21.46	208.01	22.80	209.09	24.67	210.06	28.70	210.57	33.26
	217.5	185.57	30.44	193.22	30.44	198.63	30.44	201.59	30.44	204.55	30.44	206.50	31.65	208.03	33.66	209.40	37.68	210.06	42.24
	290	178.31	39.43	188.10	39.43	195.02	39.43	198.79	39.43	202.57	39.43	205.05	40.63	207.00	42.64	208.74	46.67	209.62	51.23
	362.5			183.16	48.28	191.53	48.28	195.07	48.28	200.67	48.28	203.65	49.62	206.00	51.63	208.14	55.65	209.19	60.08
	435					188.15	57.26	193.46	57.26	198.82	57.26	202.28	58.60	205.05	60.61	207.53	64.64	208.74	69.06
	507.5					184.85	66.25	190.90	66.25	197.00	66.25	200.96	67.59	204.12	69.60	206.95	73.62	208.35	78.05
580							188.39	75.23	195.23	75.23	199.69	76.57	203.20	78.45	206.37	82.47	207.93	87.03	
660-51	72.5	235.01	14.21	239.82	14.21	243.22	14.21	245.07	14.21	246.92	14.21	248.13	15.42	249.11	17.43	249.96	21.46	250.38	26.02
	145	221.84	24.81	230.50	24.81	236.62	24.81	239.98	24.81	243.33	24.81	245.49	26.15	247.24	28.03	248.79	32.18	249.56	36.61
	217.5	209.70	35.40	221.92	35.40	230.55	35.40	235.25	35.40	239.98	35.40	243.06	36.74	245.52	38.75	247.71	42.78	248.79	47.20
	290			213.73	46.13	224.77	46.13	230.79	46.13	236.83	46.13	240.77	47.34	243.88	49.35	246.68	53.37	248.08	57.93
	362.5					219.20	56												

Speed n=1750 r/min

METRIC

Size	Pressure ΔP Bar	Viscosity (mm ² /s)																	
		3		6		12		20		40		75		150		380		760	
		Flow L/min	Power kW	Flow L/min	Power kW	Flow L/min	Power kW	Flow L/min	Power kW	Flow L/min	Power kW	Flow L/min	Power kW	Flow L/min	Power kW	Flow L/min	Power kW	Flow L/min	Power kW
440-40	5.0	401	5.3	407	5.3	411	5.3	414	5.3	416	5.3	418	6	419	7	420	9.1	421	11.5
	10.0	383	8.9	395	8.9	403	8.9	407	8.9	411	8.9	414	9.5	416	10.6	418	12.6	419	15
	15.0	368	12.4	384	12.4	395	12.4	401	12.4	407	12.4	411	13	414	14.1	417	16.2	418	18.5
	20.0	353	15.9	373	15.9	387	15.9	395	15.9	403	15.9	408	16.6	412	17.6	416	19.7	418	22
	25.0	338	19.4	363	19.4	380	19.4	389	19.4	399	19.4	405	20.1	410	21.1	414	23.2	417	25.5
	30.0	324	22.9	353	22.9	373	22.9	384	22.9	395	22.9	402	23.6	408	24.6	413	26.7	416	29
	35.0			343	26.4	366	26.4	379	26.4	391	26.4	400	27.1	406	28.2	412	30.2	415	32.6
40.0					359	30	374	30	388	30	397	30.6	404	31.7	411	33.8	414	36.1	
440-46	5.0	508	6.3	516	6.3	522	6.3	526	6.3	529	6.3	531	7	533	8	534	10.1	535	12.4
	10.0	484	10.8	500	10.8	511	10.8	517	10.8	523	10.8	526	11.4	529	12.5	532	14.6	534	16.9
	15.0	463	15.3	485	15.3	500	15.3	508	15.3	517	15.3	522	15.9	526	17	530	19	532	21.4
	20.0	442	19.7	470	19.7	490	19.7	500	19.7	511	19.7	518	20.4	524	21.4	528	23.5	531	25.8
	25.0	423	24.2	456	24.2	480	24.2	493	24.2	506	24.2	514	24.9	521	25.9	527	28	530	30.3
	30.0			443	28.7	470	28.7	485	28.7	500	28.7	510	29.4	518	30.4	525	32.5	529	34.8
	35.0					461	33.2	478	33.2	495	33.2	506	33.8	515	34.9	523	37	527	39.3
40.0							471	37.6	490	37.6	503	38.3	513	39.3	522	41.4	526	43.8	
440-52	5.0	586	7.1	600	7.1	610	7.1	615	7.1	620	7.1	623	7.8	626	8.8	629	10.9	630	13.2
	10.0	549	12.4	574	12.4	591	12.4	600	12.4	610	12.4	616	13	621	14.1	625	16.2	627	18.5
	15.0	514	17.7	549	17.7	574	17.7	587	17.7	600	17.7	609	18.3	616	19.4	622	21.4	625	23.8
	20.0	482	22.9	526	22.9	557	22.9	574	22.9	591	22.9	603	23.6	611	24.6	619	26.7	623	29
	25.0			504	28.2	541	28.2	562	28.2	583	28.2	596	28.9	607	29.9	617	32	621	34.3
	30.0					526	33.5	550	33.5	574	33.5	590	34.2	603	35.2	614	37.3	619	39.6
	35.0							539	38.8	566	38.8	584	39.4	598	40.5	611	42.5	617	44.9
40.0									558	44	578	44.7	594	45.7	609	47.8	616	50.1	
440-54	5.0	659	7.7	673	7.7	682	7.7	688	7.7	693	7.7	696	8.4	699	9.4	702	11.5	703	13.8
	10.0	622	13.6	646	13.6	664	13.6	673	13.6	683	13.6	689	14.3	694	15.3	698	17.4	700	19.7
	15.0	587	19.5	622	19.5	646	19.5	660	19.5	673	19.5	682	20.1	689	21.2	695	23.3	698	25.6
	20.0			599	25.4	630	25.4	647	25.4	664	25.4	675	26	684	27.1	692	29.1	696	31.5
	25.0					614	31.2	635	31.2	656	31.2	669	31.9	680	32.9	689	35	694	37.4
	30.0							623	37.1	647	37.1	663	37.8	675	38.8	687	40.9	692	43.2
	35.0							612	43	639	43	657	43.7	671	44.7	684	46.8	690	49.1
40.0									631	48.9	651	49.6	667	50.6	681	52.7	689	55	
660-40	5.0	623	8.1	631	8.1	637	8.1	640	8.1	643	8.1	645	9	647	10.5	649	13.5	649	16.9
	10.0	600	13.5	615	13.5	626	13.5	631	13.5	637	13.5	641	14.5	644	15.9	647	18.9	648	22.3
	15.0	579	18.9	600	18.9	615	18.9	623	18.9	631	18.9	637	19.9	641	21.4	645	24.4	647	27.7
	20.0	559	24.3	586	24.3	605	24.3	615	24.3	626	24.3	633	25.3	638	26.8	643	29.8	645	33.1
	25.0	539	29.8	572	29.8	595	29.8	608	29.8	621	29.8	629	30.7	635	32.2	641	35.2	644	38.6
	30.0			559	35.2	586	35.2	601	35.2	615	35.2	625	36.2	633	37.7	640	40.7	643	44
	35.0			546	40.6	577	40.6	594	40.6	611	40.6	621	41.6	630	43.1	638	46.1	642	49.4
40.0					568	46.1	587	46.1	606	46.1	618	47	628	48.5	636	51.5	641	54.9	
660-44	5.0	702	8.8	714	8.8	722	8.8	726	8.8	731	8.8	734	9.8	736	11.3	738	14.3	739	17.6
	10.0	671	15	692	15	706	15	714	15	722	15	727	16	731	17.4	735	20.4	737	23.8
	15.0	642	21.2	671	21.2	692	21.2	703	21.2	714	21.2	722	22.1	727	23.6	733	26.6	735	30
	20.0	615	27.3	652	27.3	678	27.3	692	27.3	707	27.3	716	28.3	723	29.8	730	32.8	733	36.2
	25.0			633	33.5	665	33.5	682	33.5	699	33.5	711	34.5	720	36	728	39	732	42.3
	30.0			615	39.7	652	39.7	672	39.7	692	39.7	706	40.7	716	42.2	726	45.2	730	48.5
	35.0					640	45.9	663	45.9	686	45.9	701	46.9	713	48.4	723	51.4	729	54.7
40.0							653	52.1	679	52.1	696	53	709	54.5	721	57.5	727	60.9	
660-46	5.0	763	9.3	774	9.3	782	9.3	786	9.3	791	9.3	794	10.3	796	11.8	798	14.8	799	18.1
	10.0	731	16	752	16	766	16	774	16	782	16	787	17	791	18.4	795	21.4	797	24.8
	15.0	702	22.7	731	22.7	752	22.7	763	22.7	774	22.7	782	23.6	787	25.1	793	28.1	795	31.5
	20.0	675	29.4	712	29.4	738	29.4	753	29.4	767	29.4	776	30.3	784	31.8	790	34.8	793	38.2
	25.0			693	36	725	36	742	36	760	36	771	37	780	38.5	788	41.5	792	44.8
	30.0					712	42.7	732	42.7	753	42.7	766	43.7	776	45.2	786	48.2	790	51.5
	35.0					700	49.4	723	49.4	746	49.4	761	50.4	773	51.9	783	54.9	789	58.2
40.0							713	56.1	739	56.1	756	57.1	769	58.5	781	61.5	787	64.9	
660-51	5.0	890	10.6	908	10.6	921	10.6	928	10.6	935	10.6	939	11.5	943	13	946	16	948	19.4
	10.0	840	18.5	873	18.5	896	18.5	908	18.5	921	18.5	929	19.5	936	20.9	942	24	945	27.3
	15.0	794	26.4	840	26.4	873	26.4	891	26.4	908	26.4	920	27.4	929	28.9	938	31.9	942	35.2
	20.0			809	34.4	851	34.4	874	34.4	897	34.4	911	35.3	923	36.8	934	39.8	939	43.2
	25.0					830	42.3	857	42.3	885	42.3	903	43.3	917	44.8	930	47.8	936	51.1
	30.0					809	50.2	841	50.2	874	50.2	895	51.2	911	52.7	926	55.7	934	59
	35.0							826	58.2	863	58.2	887	59.1	906	60.6	923	63.6	931	67
40.0									852	66.1	879	67.1	900	68.6	919	71.6	929	74.9	

Values in the blue area of the table are not recommended. Blackmer reserves the right to change the data in the table without prior notice.

U.S. STANDARD
Speed n=1750 r/min

Size	Pressure PSI	Viscosity (mm ² /s)																	
		3		6		12		20		40		75		150		380		760	
		Flow GPM	Power HP	Flow GPM	Power HP	Flow GPM	Power HP	Flow GPM	Power HP	Flow GPM	Power HP	Flow GPM	Power HP	Flow GPM	Power HP	Flow GPM	Power HP	Flow GPM	Power HP
660-54	72.5	261.47	15.29	266.27	15.29	269.68	15.29	271.52	15.29	273.40	15.29	274.61	16.63	275.56	18.51	276.43	22.66	276.86	27.09
	145	248.32	27.09	256.98	27.09	263.10	27.09	266.43	27.09	269.78	27.09	271.97	28.30	273.69	30.31	275.25	34.33	276.01	38.89
	217.5	236.15	38.75	248.37	38.75	257.00	38.75	261.73	38.75	266.46	38.75	269.54	40.10	271.97	42.11	274.16	46.13	275.27	50.56
	290			240.19	50.56	251.22	50.56	257.24	50.56	263.29	50.56	267.22	51.90	270.34	53.91	273.13	57.93	274.53	62.36
	362.5					245.68	62.36	252.94	62.36	260.25	62.36	265.00	63.56	268.78	65.57	272.16	69.60	273.85	74.16
	435							248.74	74.16	257.27	74.16	262.84	75.36	267.25	77.38	271.21	81.40	273.16	85.96
	507.5									254.39	85.82	260.73	87.17	265.74	89.18	270.26	93.20	272.50	97.62
580											258.67	98.97	264.29	100.84	269.36	105.00	271.84	109.43	
940-42	72.5	237.92	15.69	241.82	15.69	244.57	15.69	246.07	15.69	247.58	15.69	248.56	17.57	249.32	20.38	250.03	26.15	250.38	32.59
	145	227.28	26.28	234.27	26.28	239.24	26.28	241.93	26.28	244.65	26.28	246.42	28.16	247.82	30.98	249.08	36.74	249.72	43.18
	217.5	217.40	36.88	227.30	36.88	234.30	36.88	238.13	36.88	241.96	36.88	244.46	38.75	246.44	41.71	248.21	47.47	249.08	53.91
	290	208.06	47.61	220.70	47.61	229.63	47.61	234.48	47.61	239.40	47.61	242.59	49.48	245.10	52.30	247.37	58.07	248.50	64.50
	362.5	199.03	58.20	214.32	58.20	225.11	58.20	231.00	58.20	236.91	58.20	240.77	60.08	243.83	62.89	246.58	68.66	247.92	75.10
	435			208.14	68.79	220.76	68.79	227.62	68.79	234.54	68.79	239.03	70.67	242.59	73.62	245.81	79.39	247.39	85.82
	507.5					216.48	79.52	224.32	79.52	232.19	79.52	237.31	81.40	241.40	84.21	245.04	89.98	246.84	96.42
580					212.31	90.12	221.07	90.12	229.92	90.12	235.65	91.99	240.21	94.81	244.31	100.58	246.31	107.01	
940-46	72.5	288.16	17.84	292.06	17.84	294.81	17.84	296.31	17.84	297.82	17.84	298.80	19.71	299.59	22.53	300.27	28.30	300.62	34.73
	145	277.52	30.57	284.51	30.57	289.48	30.57	292.17	30.57	294.89	30.57	296.66	32.45	298.06	35.27	299.32	41.03	299.96	47.47
	217.5	267.64	43.31	277.54	43.31	284.57	43.31	288.37	43.31	292.20	43.31	294.70	45.19	296.68	48.01	298.45	53.77	299.32	60.21
	290	258.30	56.05	270.94	56.05	279.87	56.05	284.72	56.05	289.63	56.05	292.83	57.93	295.34	60.75	297.61	66.51	298.74	72.95
	362.5			264.55	68.79	275.38	68.79	281.24	68.79	287.15	68.79	291.01	70.67	294.07	73.62	296.82	79.39	298.19	85.82
	435					271.00	81.67	277.86	81.67	284.78	81.67	289.26	83.41	292.83	86.36	296.05	92.13	297.63	98.56
	507.5					266.72	94.41	274.56	94.41	282.43	94.41	287.58	96.28	291.64	99.10	295.28	104.87	297.08	111.30
580							271.31	107.15	280.16	107.15	285.89	109.02	290.45	111.84	294.54	117.61	296.58	124.04	
940-50	72.5	322.08	19.58	328.31	19.58	332.69	19.58	335.10	19.58	337.50	19.58	339.08	21.46	340.32	24.27	341.43	30.04	341.99	36.48
	145	305.05	34.06	316.25	34.06	324.19	34.06	328.50	34.06	332.85	34.06	335.68	35.94	337.92	38.89	339.93	44.66	340.93	51.09
	217.5	289.29	48.68	305.10	48.68	316.30	48.68	322.40	48.68	328.52	48.68	332.51	50.56	335.68	53.37	338.53	59.14	339.93	65.57
	290			294.52	63.16	308.83	63.16	316.59	63.16	324.43	63.16	329.52	65.04	333.56	67.85	337.18	73.62	338.98	80.06
	362.5					301.62	77.64	311.02	77.64	320.47	77.64	326.65	79.52	331.53	82.47	335.91	88.24	338.08	94.67
	435					294.62	92.26	305.61	92.26	316.64	92.26	323.85	94.14	329.55	96.95	334.67	102.72	337.21	109.16
	507.5							300.33	106.74	312.92	106.74	321.10	108.62	327.62	111.44	333.46	117.20	336.34	123.64
580									309.25	121.36	318.44	123.10	325.72	126.05	332.27	131.82	335.52	138.26	
940-54	72.5	380.69	21.99	386.92	21.99	391.33	21.99	393.70	21.99	396.13	21.99	397.69	23.87	398.93	26.82	400.04	32.59	400.59	39.02
	145	363.66	39.02	374.88	39.02	382.80	39.02	387.10	39.02	391.46	39.02	394.28	40.90	396.53	43.85	398.53	49.62	399.54	56.05
	217.5	347.90	56.05	363.74	56.05	374.93	56.05	381.00	56.05	387.13	56.05	391.14	57.93	394.28	60.75	397.14	66.51	398.53	72.95
	290			353.15	73.08	367.44	73.08	375.22	73.08	383.04	73.08	388.13	74.96	392.17	77.78	395.82	83.54	397.61	89.98
	362.5					360.23	90.12	369.63	90.12	379.10	90.12	385.26	91.99	390.14	94.81	394.52	100.58	396.69	107.01
	435							364.21	107.15	375.28	107.15	382.46	109.02	388.16	111.84	393.28	117.61	395.82	124.04
	507.5									371.53	124.18	379.74	126.05	386.23	128.87	392.07	134.64	394.97	141.07
580											377.07	142.95	384.36	145.90	390.88	151.67	394.13	158.10	

Values in the grey area of the table are not recommended. Blackmer reserves the right to change the data in the table without prior notice.

Speed n=1750 r/min

METRIC

Size	Pressure ΔP Bar	Viscosity (mm ² /s)																	
		3		6		12		20		40		75		150		380		760	
		Flow L/min	Power kW	Flow L/min	Power kW	Flow L/min	Power kW	Flow L/min	Power kW	Flow L/min	Power kW	Flow L/min	Power kW	Flow L/min	Power kW	Flow L/min	Power kW	Flow L/min	Power kW
660-54	5.0	990	11.4	1008	11.4	1021	11.4	1028	11.4	1035	11.4	1040	12.4	1043	13.8	1046	16.9	1048	20.2
	10.0	940	20.2	973	20.2	996	20.2	1009	20.2	1021	20.2	1030	21.1	1036	22.6	1042	25.6	1045	29
	15.0	894	28.9	940	28.9	973	28.9	991	28.9	1009	28.9	1020	29.9	1030	31.4	1038	34.4	1042	37.7
	20.0			909	37.7	951	37.7	974	37.7	997	37.7	1012	38.7	1023	40.2	1034	43.2	1039	46.5
	25.0					930	46.5	957	46.5	985	46.5	1003	47.4	1017	48.9	1030	51.9	1037	55.3
	30.0							942	55.3	974	55.3	995	56.2	1012	57.7	1027	60.7	1034	64.1
	35.0									963	64	987	65	1006	66.5	1023	69.5	1032	72.8
	40.0											979	73.8	1000	75.2	1020	78.3	1029	81.6
940-42	5.0	901	11.7	915	11.7	926	11.7	931	11.7	937	11.7	941	13.1	944	15.2	946	19.5	948	24.3
	10.0	860	19.6	887	19.6	906	19.6	916	19.6	926	19.6	933	21	938	23.1	943	27.4	945	32.2
	15.0	823	27.5	860	27.5	887	27.5	901	27.5	916	27.5	925	28.9	933	31.1	940	35.4	943	40.2
	20.0	788	35.5	835	35.5	869	35.5	888	35.5	906	35.5	918	36.9	928	39	936	43.3	941	48.1
	25.0	753	43.4	811	43.4	852	43.4	874	43.4	897	43.4	911	44.8	923	46.9	933	51.2	938	56
	30.0			788	51.3	836	51.3	862	51.3	888	51.3	905	52.7	918	54.9	930	59.2	936	64
	35.0					819	59.3	849	59.3	879	59.3	898	60.7	914	62.8	928	67.1	934	71.9
	40.0					804	67.2	837	67.2	870	67.2	892	68.6	909	70.7	925	75	932	79.8
940-46	5.0	1091	13.3	1106	13.3	1116	13.3	1122	13.3	1127	13.3	1131	14.7	1134	16.8	1137	21.1	1138	25.9
	10.0	1051	22.8	1077	22.8	1096	22.8	1106	22.8	1116	22.8	1123	24.2	1128	26.3	1133	30.6	1135	35.4
	15.0	1013	32.3	1051	32.3	1077	32.3	1092	32.3	1106	32.3	1116	33.7	1123	35.8	1130	40.1	1133	44.9
	20.0	978	41.8	1026	41.8	1059	41.8	1078	41.8	1096	41.8	1108	43.2	1118	45.3	1127	49.6	1131	54.4
	25.0			1001	51.3	1042	51.3	1065	51.3	1087	51.3	1102	52.7	1113	54.9	1124	59.2	1129	64
	30.0					1026	60.9	1052	60.9	1078	60.9	1095	62.2	1108	64.4	1121	68.7	1127	73.5
	35.0					1010	70.4	1039	70.4	1069	70.4	1089	71.8	1104	73.9	1118	78.2	1125	83
	40.0							1027	79.9	1061	79.9	1082	81.3	1099	83.4	1115	87.7	1123	92.5
940-50	5.0	1219	14.6	1243	14.6	1259	14.6	1268	14.6	1278	14.6	1284	16	1288	18.1	1292	22.4	1295	27.2
	10.0	1155	25.4	1197	25.4	1227	25.4	1243	25.4	1260	25.4	1271	26.8	1279	29	1287	33.3	1291	38.1
	15.0	1095	36.3	1155	36.3	1197	36.3	1220	36.3	1244	36.3	1259	37.7	1271	39.8	1281	44.1	1287	48.9
	20.0			1115	47.1	1169	47.1	1198	47.1	1228	47.1	1247	48.5	1263	50.6	1276	54.9	1283	59.7
	25.0					1142	57.9	1177	57.9	1213	57.9	1236	59.3	1255	61.5	1272	65.8	1280	70.6
	30.0					1115	68.8	1157	68.8	1199	68.8	1226	70.2	1247	72.3	1267	76.6	1276	81.4
	35.0							1137	79.6	1185	79.6	1216	81	1240	83.1	1262	87.4	1273	92.2
	40.0								1171	90.5	1205	91.8	1233	94	1258	98.3	1270	103	
940-54	5.0	1441	16.4	1465	16.4	1481	16.4	1490	16.4	1500	16.4	1505	17.8	1510	20	1514	24.3	1516	29.1
	10.0	1377	29.1	1419	29.1	1449	29.1	1465	29.1	1482	29.1	1493	30.5	1501	32.7	1509	37	1512	41.8
	15.0	1317	41.8	1377	41.8	1419	41.8	1442	41.8	1465	41.8	1481	43.2	1493	45.3	1503	49.6	1509	54.4
	20.0			1337	54.5	1391	54.5	1420	54.5	1450	54.5	1469	55.9	1485	58	1498	62.3	1505	67.1
	25.0					1364	67.2	1399	67.2	1435	67.2	1458	68.6	1477	70.7	1493	75	1502	79.8
	30.0							1379	79.9	1421	79.9	1448	81.3	1469	83.4	1489	87.7	1498	92.5
	35.0									1406	92.6	1437	94	1462	96.1	1484	100	1495	105
	40.0											1427	107	1455	109	1480	113	1492	118

Values in the blue area of the table are not recommended. Blackmer reserves the right to change the data in the table without prior notice.

U.S. STANDARD

Speed n=2900 r/min

Size	Pressure PSI	Viscosity (mm ² /s)																	
		3		6		12		20		40		75		150		380		760	
		Flow GPM	Power HP	Flow GPM	Power HP	Flow GPM	Power HP	Flow GPM	Power HP	Flow GPM	Power HP	Flow GPM	Power HP	Flow GPM	Power HP	Flow GPM	Power HP	Flow GPM	Power HP
40-38	72.5	15.81	1.48	16.10	1.48	16.32	1.48	16.45	1.48	16.55	1.48	16.63	1.88	16.68	2.28	16.74	3.22	16.76	4.16
	145	15.00	2.28	15.52	2.28	15.92	2.28	16.13	2.28	16.34	2.28	16.47	2.55	16.58	2.95	16.68	3.89	16.74	4.96
	217.5	14.23	2.95	15.00	2.95	15.55	2.95	15.84	2.95	16.13	2.95	16.32	3.22	16.47	3.75	16.61	4.56	16.68	5.63
	290	13.52	3.62	14.49	3.62	15.18	3.62	15.55	3.62	15.92	3.62	16.18	3.89	16.37	4.43	16.55	5.36	16.63	6.30
	362.5	12.80	4.43	13.99	4.43	14.84	4.43	15.29	4.43	15.73	4.43	16.02	4.69	16.26	5.10	16.47	6.03	16.58	7.11
	435	12.14	5.10	13.52	5.10	14.49	5.10	15.02	5.10	15.55	5.10	15.89	5.36	16.18	5.90	16.42	6.71	16.55	7.78
	507.5	11.48	5.77	13.04	5.77	14.15	5.77	14.76	5.77	15.36	5.77	15.76	6.03	16.08	6.57	16.37	7.51	16.50	8.45
	580	10.82	6.57	12.59	6.57	13.83	6.57	14.52	6.57	15.21	6.57	15.63	6.84	16.00	7.24	16.32	8.18	16.47	9.25
40-46	72.5	21.07	1.74	21.46	1.74	21.75	1.74	21.91	1.74	22.07	1.74	22.18	2.01	22.26	2.55	22.33	3.49	22.36	4.43
	145	19.96	2.68	20.67	2.68	21.20	2.68	21.49	2.68	21.78	2.68	21.96	2.95	22.10	3.49	22.23	4.43	22.31	5.36
	217.5	18.90	3.62	19.96	3.62	20.70	3.62	21.09	3.62	21.49	3.62	21.75	3.89	21.96	4.43	22.15	5.36	22.23	6.30
	290	17.93	4.56	19.25	4.56	20.20	4.56	20.70	4.56	21.23	4.56	21.54	4.96	21.81	5.36	22.04	6.30	22.18	7.38
	362.5	17.00	5.50	18.59	5.50	19.72	5.50	20.33	5.50	20.96	5.50	21.36	5.90	21.67	6.30	21.96	7.24	22.12	8.31
	435	16.08	6.57	17.95	6.57	19.27	6.57	19.98	6.57	20.70	6.57	21.17	6.84	21.54	7.24	21.89	8.18	22.04	9.25
	507.5	15.18	7.51	17.32	7.51	18.82	7.51	19.64	7.51	20.46	7.51	20.99	7.78	21.44	8.18	21.81	9.12	21.99	10.19
	580			16.68	8.45	18.37	8.45	19.30	8.45	20.22	8.45	20.83	8.72	21.30	9.12	21.73	10.06	21.94	11.13
40-54	72.5	27.96	2.15	28.59	2.15	29.07	2.15	29.30	2.15	29.57	2.15	29.73	2.41	29.86	2.82	29.96	3.75	30.04	4.83
	145	26.16	3.35	27.32	3.35	28.17	3.35	28.62	3.35	29.07	3.35	29.38	3.62	29.59	4.16	29.81	5.10	29.91	6.03
	217.5	24.50	4.69	26.16	4.69	27.35	4.69	27.98	4.69	28.62	4.69	29.04	4.96	29.38	5.36	29.67	6.30	29.81	7.38
	290	22.94	5.90	25.05	5.90	26.56	5.90	27.38	5.90	28.20	5.90	28.72	6.17	29.15	6.71	29.54	7.64	29.73	8.58
	362.5	21.44	7.24	24.00	7.24	25.79	7.24	26.80	7.24	27.77	7.24	28.43	7.51	28.93	7.91	29.38	8.85	29.62	9.92
	435			22.94	8.45	25.08	8.45	26.22	8.45	27.38	8.45	28.14	8.72	28.72	9.25	29.28	10.19	29.54	11.13
	507.5					24.34	9.79	25.66	9.79	26.98	9.79	27.85	10.06	28.54	10.46	29.15	11.40	29.44	12.47
	580					23.65	11.00	25.13	11.00	26.61	11.00	27.56	11.26	28.33	11.80	29.01	12.74	29.36	13.68
80-36	72.5	29.04	2.41	29.54	2.41	29.88	2.41	30.07	2.41	30.25	2.41	30.36	2.82	30.47	3.49	30.54	4.83	30.60	6.17
	145	27.72	3.75	28.59	3.75	29.20	3.75	29.54	3.75	29.88	3.75	30.10	4.16	30.28	4.83	30.44	6.03	30.52	7.51
	217.5	26.48	4.96	27.72	4.96	28.59	4.96	29.07	4.96	29.54	4.96	29.86	5.50	30.10	6.03	30.33	7.38	30.44	8.85
	290	25.32	6.30	26.90	6.30	28.01	6.30	28.62	6.30	29.22	6.30	29.62	6.71	29.94	7.38	30.23	8.72	30.36	10.06
	362.5	24.21	7.64	26.11	7.64	27.46	7.64	28.17	7.64	28.91	7.64	29.41	8.05	29.78	8.72	30.12	9.92	30.28	11.40
	435	23.10	8.98	25.34	8.98	26.90	8.98	27.77	8.98	28.62	8.98	29.17	9.39	29.62	9.92	30.02	11.26	30.23	12.74
	507.5	22.04	10.19	24.58	10.19	26.37	10.19	27.35	10.19	28.33	10.19	28.96	10.59	29.49	11.26	29.94	12.61	30.15	13.95
	580	21.01	11.53	23.84	11.53	25.85	11.53	26.95	11.53	28.04	11.53	28.75	11.93	29.33	12.61	29.83	13.81	30.10	15.29
80-42	72.5	35.01	2.68	35.67	2.68	36.14	2.68	36.41	2.68	36.64	2.68	36.83	3.08	36.96	3.75	37.07	5.10	37.14	6.44
	145	33.18	4.29	34.37	4.29	35.24	4.29	35.69	4.29	36.17	4.29	36.46	4.69	36.70	5.36	36.91	6.57	37.01	8.05
	217.5	31.50	5.90	33.18	5.90	34.40	5.90	35.03	5.90	35.69	5.90	36.12	6.30	36.46	6.97	36.78	8.18	36.91	9.66
	290	29.91	7.38	32.05	7.38	33.58	7.38	34.43	7.38	35.27	7.38	35.80	7.91	36.25	8.45	36.62	9.79	36.80	11.26
	362.5	28.35	8.98	30.97	8.98	32.82	8.98	33.82	8.98	34.85	8.98	35.48	9.39	36.01	10.06	36.48	11.40	36.72	12.74
	435	26.88	10.59	29.91	10.59	32.08	10.59	33.24	10.59	34.43	10.59	35.19	11.00	35.80	11.67	36.35	12.87	36.62	14.35
	507.5	25.40	12.20	28.88	12.20	31.34	12.20	32.68	12.20	34.03	12.20	34.90	12.61	35.59	13.28	36.22	14.48	36.54	15.96
	580	23.97	13.81	27.88	13.81	30.62	13.81	32.13	13.81	33.63	13.81	34.61	14.21	35.40	14.75	36.09	16.09	36.43	17.57
80-46	72.5	41.58	2.95	42.24	2.95	42.72	2.95	42.98	2.95	43.24	2.95	43.40	3.35	43.53	4.02	43.67	5.36	43.72	6.71
	145	39.76	4.83	40.97	4.83	41.82	4.83	42.27	4.83	42.74	4.83	43.03	5.23	43.27	5.90	43.48	7.24	43.59	8.58
	217.5	38.07	6.71	39.78	6.71	40.97	6.71	41.61	6.71	42.27	6.71	42.69	7.11	43.03	7.78	43.35	8.98	43.48	10.46
	290	36.48	8.58	38.65	8.58	40.18	8.58	41.00	8.58	41.84	8.58	42.37	8.98	42.82	9.66	43.19	10.86	43.40	12.34
	362.5	34.93	10.46	37.54	10.46	39.39	10.46	40.39	10.46	41.42	10.46	42.08	10.86	42.58	11.40	43.06	12.74	43.30	14.21
	435	33.45	12.20	36.48	12.20	38.65	12.20	39.81	12.20	41.00	12.20	41.76	12.74	42.37	13.28	42.93	14.62	43.19	16.09
	507.5	32.00	14.08	35.46	14.08	37.91	14.08	39.26	14.08	40.60	14.08	41.47	14.48	42.19	15.15	42.79	16.49	43.11	17.97
	580			34.45	15.96	37.20	15.96	38.70	15.96	40.21	15.96	41.21	16.36	41.98	17.03	42.66	18.37	43.03	19.71
80-54	72.5	54.49	3.62	55.55	3.62	56.28	3.62	56.71	3.62	57.10	3.62	57.39	4.02	57.60	4.69	57.79	5.90	57.87	7.38
	145	51.56	6.03	53.49	6.03	54.83	6.03	55.57	6.03	56.31	6.03	56.81	6.44	57.18	7.11	57.53	8.45	57.71	9.79
	217.5	48.87	8.45	51.59	8.45	53.49	8.45	54.54	8.45	55.57	8.45	56.26	8.98	56.81	9.52	57.29	10.86	57.53	12.34
	290	46.31	11.00	49.76	11.00	52.22	11.00	53.54	11.00	54.89	11.00	55.76	11.40	56.44	12.07	57.05	13.28	57.37	14.75
	362.5	43.85	13.41	48.02	13.41	50.98	13.41	52.59	13.41	54.20	13.41	55.26	13.81	56.10	14.48	56.84	15.82	57.21	17.16
	435			46.33	15.82	49.79	15.82	51.66	15.82	53.54	15.82	54.78	16.36	55.76	16.90	56.63	18.24	57.05	19.71
	507.5					48.60	18.37	50.77	18.37	52.91	18.37	54.30	18.77	55.41	19.44	56.42	20.65	56.92	22.13
	580					47.47	20.79	49.87	20.79	52.27	20.79	53.86	21.19	55.10	21.86	56.23	23.20	56.76	24.54
120-42	72.5	49.79	4.16	50.66	4.16	51.27	4.16	51.59	4.16	51.93	4.16	52.14	4.83	52.32	6.03	52.48	8.18	52.54	10.59
	145	47.44	6.44	49.00	6.44	50.08	6.44	50.69	6.44	51.30	6.44	51.66	7.11	51.98	8.18	52.27	10.46	52.40	12.87
	217.5	45.28	8.58	47.47	8.58	49.00	8.58	49.84	8.58	50.69	8.58	51.24	9.39	51.66	10.46	52.06	12.61	52.27	15.15
	290	43.22	10.86	45.99	10.86	47.97	10.86	49.05	10.86	50.13	10.86	50.82	11.53	51.37	12.61	51.88	14.89	52.14	17.30
	362.5	41.24	13.14	44.59	13.14	46.97	13.14	48.29	13.14	49.58	13.14	50.42	13.81	51.11	14.89	51.72	17.16	52.01	19.58
	435	39.31	15.29	43.24	15.29	46.02	15.29	47.52	15.29	49.05	15.29	50.05	16.09	50.82	17.16	51.53	19.31	51.88	21.86
	507.5	37.41																	

Speed n=2900 r/min

METRIC

Size	Pressure ΔP Bar	Viscosity (mm ² /s)																	
		3		6		12		20		40		75		150		380		760	
		Flow L/min	Power kW	Flow L/min	Power kW	Flow L/min	Power kW	Flow L/min	Power kW	Flow L/min	Power kW	Flow L/min	Power kW	Flow L/min	Power kW	Flow L/min	Power kW	Flow L/min	Power kW
40-38	5.0	59.9	1.10	61	1.10	61.8	1.10	62.3	1.10	62.7	1.10	63	1.40	63.2	1.70	63.4	2.40	63.5	3.10
	10.0	56.8	1.7	58.8	1.7	60.3	1.7	61.1	1.7	61.9	1.7	62.4	1.9	62.8	2.2	63.2	2.9	63.4	3.7
	15.0	53.9	2.2	56.8	2.2	58.9	2.2	60	2.2	61.1	2.2	61.8	2.4	62.4	2.8	62.9	3.4	63.2	4.2
	20.0	51.2	2.7	54.9	2.7	57.5	2.7	58.9	2.7	60.3	2.7	61.3	2.9	62	3.3	62.7	4	63	4.7
	25.0	48.5	3.3	53	3.3	56.2	3.3	57.9	3.3	59.6	3.3	60.7	3.5	61.6	3.8	62.4	4.5	62.8	5.3
	30.0	46	3.8	51.2	3.8	54.9	3.8	56.9	3.8	58.9	3.8	60.2	4	61.3	4.4	62.2	5	62.7	5.8
	35.0	43.5	4.3	49.4	4.3	53.6	4.3	55.9	4.3	58.2	4.3	59.7	4.5	60.9	4.9	62	5.6	62.5	6.3
40.0	41	4.9	47.7	4.9	52.4	4.9	55	4.9	57.6	4.9	59.2	5.1	60.6	5.4	61.8	6.1	62.4	6.9	
40-46	5.0	79.7	1.3	81.2	1.3	82.3	1.3	82.9	1.3	83.5	1.3	83.9	1.5	84.2	1.9	84.5	2.6	84.6	3.3
	10.0	75.6	2	78.2	2	80.2	2	81.3	2	82.4	2	83.1	2.2	83.6	2.6	84.1	3.3	84.4	4
	15.0	71.6	2.7	75.6	2.7	78.3	2.7	79.8	2.7	81.3	2.7	82.3	2.9	83.1	3.3	83.8	4	84.1	4.7
	20.0	67.9	3.4	72.9	3.4	76.5	3.4	78.3	3.4	80.3	3.4	81.5	3.7	82.5	4	83.4	4.7	83.9	5.5
	25.0	64.4	4.1	70.4	4.1	74.7	4.1	76.9	4.1	79.3	4.1	80.8	4.4	82	4.7	83.1	5.4	83.7	6.2
	30.0	60.9	4.9	68	4.9	73	4.9	75.7	4.9	78.3	4.9	80.1	5.1	81.5	5.4	82.8	6.1	83.4	6.9
	35.0	57.5	5.6	65.6	5.6	71.3	5.6	74.4	5.6	77.4	5.6	79.4	5.8	81.1	6.1	82.5	6.8	83.2	7.6
40.0			63.2	6.3	69.6	6.3	73.1	6.3	76.6	6.3	78.8	6.5	80.6	6.8	82.2	7.5	83	8.3	
40-54	5.0	106	1.6	108	1.6	110	1.6	111	1.6	112	1.6	113	1.8	113	2.1	113	2.8	114	3.6
	10.0	99	2.5	103	2.5	107	2.5	108	2.5	110	2.5	111	2.7	112	3.1	113	3.8	113	4.5
	15.0	92.7	3.5	99	3.5	104	3.5	106	3.5	108	3.5	110	3.7	111	4	112	4.7	113	5.5
	20.0	86.8	4.4	94.8	4.4	101	4.4	104	4.4	107	4.4	109	4.6	110	5	112	5.7	113	6.4
	25.0	81.1	5.4	90.8	5.4	97.6	5.4	101	5.4	105	5.4	108	5.6	110	5.9	111	6.6	112	7.4
	30.0			86.8	6.3	94.9	6.3	99.2	6.3	104	6.3	107	6.5	109	6.9	111	7.6	112	8.3
	35.0					92.1	7.3	97.1	7.3	102	7.3	105	7.5	108	7.8	110	8.5	111	9.3
40.0					89.5	8.2	95.1	8.2	101	8.2	104	8.4	107	8.8	110	9.5	111	10.2	
80-36	5.0	110	1.8	112	1.8	113	1.8	114	1.8	115	1.8	115	2.1	115	2.6	116	3.6	116	4.6
	10.0	105	2.8	108	2.8	111	2.8	112	2.8	113	2.8	114	3.1	115	3.6	115	4.5	116	5.6
	15.0	100	3.7	105	3.7	108	3.7	110	3.7	112	3.7	113	4.1	114	4.5	115	5.5	115	6.6
	20.0	95.8	4.7	102	4.7	106	4.7	108	4.7	111	4.7	112	5	113	5.5	114	6.5	115	7.5
	25.0	91.6	5.7	98.8	5.7	104	5.7	107	5.7	109	5.7	111	6	113	6.5	114	7.4	115	8.5
	30.0	87.4	6.7	95.9	6.7	102	6.7	105	6.7	108	6.7	110	7	112	7.4	114	8.4	114	9.5
	35.0	83.4	7.6	93	7.6	99.8	7.6	104	7.6	107	7.6	110	7.9	112	8.4	113	9.4	114	10.4
40.0	79.5	8.6	90.2	8.6	97.8	8.6	102	8.6	106	8.6	109	8.9	111	9.4	113	10.3	114	11.4	
80-42	5.0	133	2	135	2	137	2	138	2	139	2	139	2.3	140	2.8	140	3.8	141	4.8
	10.0	126	3.2	130	3.2	133	3.2	135	3.2	137	3.2	138	3.5	139	4	140	4.9	140	6
	15.0	119	4.4	126	4.4	130	4.4	133	4.4	135	4.4	137	4.7	138	5.2	139	6.1	140	7.2
	20.0	113	5.5	121	5.5	127	5.5	130	5.5	134	5.5	136	5.9	137	6.3	139	7.3	139	8.4
	25.0	107	6.7	117	6.7	124	6.7	128	6.7	132	6.7	134	7	136	7.5	138	8.5	139	9.5
	30.0	102	7.9	113	7.9	121	7.9	126	7.9	130	7.9	133	8.2	136	8.7	138	9.6	139	10.7
	35.0	96.1	9.1	109	9.1	119	9.1	124	9.1	129	9.1	132	9.4	135	9.9	137	10.8	138	11.9
40.0	90.7	10.3	106	10.3	116	10.3	122	10.3	127	10.3	131	10.6	134	11	137	12	138	13.1	
80-46	5.0	157	2.2	160	2.2	162	2.2	163	2.2	164	2.2	164	2.5	165	3	165	4	165	5
	10.0	151	3.6	155	3.6	158	3.6	160	3.6	162	3.6	163	3.9	164	4.4	165	5.4	165	6.4
	15.0	144	5	151	5	155	5	157	5	160	5	162	5.3	163	5.8	164	6.7	165	7.8
	20.0	138	6.4	146	6.4	152	6.4	155	6.4	158	6.4	160	6.7	162	7.2	163	8.1	164	9.2
	25.0	132	7.8	142	7.8	149	7.8	153	7.8	157	7.8	159	8.1	161	8.5	163	9.5	164	10.6
	30.0	127	9.1	138	9.1	146	9.1	151	9.1	155	9.1	158	9.5	160	9.9	162	10.9	163	12
	35.0	121	10.5	134	10.5	144	10.5	149	10.5	154	10.5	157	10.8	160	11.3	162	12.3	163	13.4
40.0			130	11.9	141	11.9	147	11.9	152	11.9	156	12.2	159	12.7	161	13.7	163	14.7	
80-54	5.0	206	2.7	210	2.7	213	2.7	215	2.7	216	2.7	217	3	218	3.5	219	4.4	219	5.5
	10.0	195	4.5	202	4.5	208	4.5	210	4.5	213	4.5	215	4.8	216	5.3	218	6.3	218	7.3
	15.0	185	6.3	195	6.3	202	6.3	206	6.3	210	6.3	213	6.7	215	7.1	217	8.1	218	9.2
	20.0	175	8.2	188	8.2	198	8.2	203	8.2	208	8.2	211	8.5	214	9	216	9.9	217	11
	25.0	166	10	182	10	193	10	199	10	205	10	209	10.3	212	10.8	215	11.8	217	12.8
	30.0			175	11.8	188	11.8	196	11.8	203	11.8	207	12.2	211	12.6	214	13.6	216	14.7
	35.0					184	13.7	192	13.7	200	13.7	206	14	210	14.5	214	15.4	215	16.5
40.0					180	15.5	189	15.5	198	15.5	204	15.8	209	16.3	213	17.3	215	18.3	
120-42	5.0	188	3.1	192	3.1	194	3.1	195	3.1	197	3.1	197	3.6	198	4.5	199	6.1	199	7.9
	10.0	180	4.8	185	4.8	190	4.8	192	4.8	194	4.8	196	5.3	197	6.1	198	7.8	198	9.6
	15.0	171	6.4	180	6.4	185	6.4	189	6.4	192	6.4	194	7	196	7.8	197	9.4	198	11.3
	20.0	164	8.1	174	8.1	182	8.1	186	8.1	190	8.1	192	8.6	194	9.4	196	11.1	197	12.9
	25.0	156	9.8	169	9.8	178	9.8	183	9.8	188	9.8	191	10.3	193	11.1	196	12.8	197	14.6
	30.0	149	11.4	164	11.4	174	11.4	180	11.4	186	11.4	189	12	192	12.8	195	14.4	196	16.3
	35.0	142	13.1	159	13.1	171	13.1	177	13.1	184	13.1	188	13.6	191	14.4	194	16.1	196	17.9
40.0	135	14.8	154	14.8	167	14.8	174	14.8	182	14.8	187	15.3	190	16.1	194	17.8	196	19.6	

Values in the blue area of the table are not recommended. Blackmer reserves the right to change the data in the table without prior notice.

U.S. STANDARD

Speed n=2900 r/min

Size	Pressure PSI	Viscosity (mm ² /s)																	
		3		6		12		20		40		75		150		380		760	
		Flow GPM	Power HP	Flow GPM	Power HP	Flow GPM	Power HP	Flow GPM	Power HP	Flow GPM	Power HP	Flow GPM	Power HP	Flow GPM	Power HP	Flow GPM	Power HP	Flow GPM	Power HP
120-46	72.5	59.51	4.56	60.38	4.56	60.98	4.56	61.30	4.56	61.64	4.56	61.86	5.23	62.04	6.44	62.17	8.58	62.25	11.00
	145	57.16	7.24	58.71	7.24	59.80	7.24	60.40	7.24	61.01	7.24	61.38	7.91	61.70	8.98	61.99	11.26	62.12	13.68
	217.5	54.99	9.92	57.18	9.92	58.71	9.92	59.56	9.92	60.40	9.92	60.96	10.59	61.38	11.67	61.78	13.95	61.99	16.36
	290	52.93	12.47	55.70	12.47	57.68	12.47	58.77	12.47	59.85	12.47	60.54	13.28	61.09	14.35	61.59	16.49	61.86	19.04
	362.5	50.95	15.15	54.30	15.15	56.68	15.15	58.00	15.15	59.29	15.15	60.14	15.82	60.83	16.90	61.43	19.18	61.72	21.59
	435	49.00	17.84	52.93	17.84	55.73	17.84	57.24	17.84	58.77	17.84	59.77	18.51	60.54	19.58	61.25	21.86	61.59	24.27
	507.5			51.61	20.38	54.78	20.38	56.52	20.38	58.24	20.38	59.37	21.19	60.27	22.26	61.09	24.41	61.49	26.95
580			50.32	23.07	53.86	23.07	55.81	23.07	57.74	23.07	59.00	23.74	60.01	24.94	60.93	27.09	61.35	29.50	
120-54	72.5	78.57	5.50	79.94	5.50	80.92	5.50	81.44	5.50	81.97	5.50	82.32	6.17	82.61	7.24	82.84	9.52	82.98	11.93
	145	74.82	8.98	77.27	8.98	79.04	8.98	79.99	8.98	80.94	8.98	81.58	9.66	82.05	10.73	82.50	13.01	82.74	15.42
	217.5	71.33	12.47	74.82	12.47	77.30	12.47	78.65	12.47	79.99	12.47	80.86	13.28	81.58	14.35	82.21	16.49	82.50	19.04
	290	68.03	16.09	72.49	16.09	75.64	16.09	77.35	16.09	79.09	16.09	80.20	16.76	81.10	17.84	81.89	20.12	82.29	22.53
	362.5	64.84	19.58	70.25	19.58	74.05	19.58	76.14	19.58	78.22	19.58	79.57	20.25	80.65	21.32	81.63	23.60	82.10	26.02
	435			68.06	23.07	72.52	23.07	74.92	23.07	77.38	23.07	78.96	23.74	80.23	24.94	81.34	27.09	81.92	29.50
	507.5					71.02	26.55	73.76	26.55	76.56	26.55	78.36	27.36	79.78	28.43	81.07	30.57	81.71	33.12
580					69.54	30.17	72.63	30.17	75.74	30.17	77.77	30.84	79.38	31.92	80.81	34.20	81.52	36.61	
210-40	72.5	85.80	6.84	86.78	6.84	87.46	6.84	87.86	6.84	88.23	6.84	88.47	7.91	88.65	9.66	88.84	13.01	88.92	16.90
	145	83.13	10.59	84.90	10.59	86.14	10.59	86.80	10.59	87.49	10.59	87.94	11.67	88.28	13.41	88.60	16.76	88.76	20.65
	217.5	80.68	14.35	83.16	14.35	84.90	14.35	85.85	14.35	86.83	14.35	87.44	15.42	87.94	17.16	88.39	20.52	88.60	24.41
	290	78.33	18.10	81.50	18.10	83.74	18.10	84.96	18.10	86.17	18.10	86.96	19.18	87.60	20.92	88.18	24.41	88.47	28.16
	362.5	76.08	21.86	79.91	21.86	82.61	21.86	84.08	21.86	85.56	21.86	86.51	22.93	87.28	24.67	87.96	28.16	88.31	31.92
	435	73.89	25.61	78.36	25.61	81.52	25.61	83.24	25.61	84.96	25.61	86.09	26.69	86.99	28.43	87.78	31.92	88.18	35.67
	507.5	71.76	29.37	76.85	29.37	80.44	29.37	82.39	29.37	84.37	29.37	85.67	30.57	86.67	32.18	87.60	35.67	88.04	39.56
580	69.67	33.12	75.37	33.12	79.41	33.12	81.60	33.12	83.79	33.12	85.25	34.33	86.38	35.94	87.41	39.43	87.91	43.31	
210-46	72.5	107.40	7.78	108.72	7.78	109.67	7.78	110.17	7.78	110.70	7.78	111.04	8.85	111.30	10.59	111.54	13.95	111.65	17.84
	145	103.75	12.47	106.15	12.47	107.84	12.47	108.77	12.47	109.69	12.47	110.30	13.54	110.77	15.29	111.20	18.77	111.43	22.53
	217.5	100.37	17.16	103.78	17.16	106.15	17.16	107.47	17.16	108.77	17.16	109.64	18.37	110.30	19.98	110.91	23.47	111.22	27.36
	290	97.18	21.99	101.51	21.99	104.57	21.99	106.23	21.99	107.90	21.99	108.98	23.07	109.85	24.81	110.62	28.16	111.01	32.05
	362.5	94.12	26.69	99.32	26.69	103.01	26.69	105.02	26.69	107.05	26.69	108.37	27.76	109.40	29.50	110.35	32.99	110.83	36.74
	435	91.11	31.38	97.20	31.38	101.53	31.38	103.88	31.38	106.23	31.38	107.76	32.59	108.98	34.20	110.09	37.68	110.62	41.57
	507.5	88.20	36.21	95.15	36.21	100.06	36.21	102.75	36.21	105.44	36.21	107.18	37.28	108.58	39.02	109.82	42.38	110.46	46.26
580			93.14	40.90	98.63	40.90	101.64	40.90	104.65	40.90	106.63	41.97	108.19	43.72	109.59	47.20	110.27	50.96	
210-54	72.5	141.98	9.39	144.12	9.39	145.62	9.39	146.44	9.39	147.26	9.39	147.79	10.46	148.21	12.07	148.61	15.56	148.79	19.44
	145	136.14	15.69	140.00	15.69	142.69	15.69	144.17	15.69	145.68	15.69	146.63	16.76	147.39	18.51	148.08	21.86	148.42	25.75
	217.5	130.76	21.99	136.17	21.99	140.00	21.99	142.08	21.99	144.20	21.99	145.54	23.07	146.63	24.81	147.60	28.16	148.08	32.05
	290	125.64	28.30	132.55	28.30	137.44	28.30	140.10	28.30	142.80	28.30	144.54	29.37	145.91	31.11	147.15	34.46	147.76	38.35
	362.5	120.73	34.60	129.07	34.60	134.98	34.60	138.20	34.60	141.42	34.60	143.54	35.67	145.23	37.41	146.70	40.90	147.44	44.66
	435			125.69	40.90	132.58	40.90	136.36	40.90	140.13	40.90	142.59	41.97	144.54	43.72	146.28	47.20	147.15	50.96
	507.5					130.26	47.20	134.53	47.20	138.84	47.20	141.66	48.28	143.88	50.02	145.89	53.51	146.86	57.26
580					127.99	53.51	132.77	53.51	137.60	53.51	140.74	54.71	143.22	56.32	145.46	59.81	146.57	63.70	
280-43	72.5	125.24	10.06	126.85	10.06	128.01	10.06	128.62	10.06	129.25	10.06	129.65	11.80	129.97	14.35	130.26	19.58	130.39	25.34
	145	120.86	15.69	123.74	15.69	125.80	15.69	126.90	15.69	128.04	15.69	128.78	17.30	129.33	19.85	129.86	25.08	130.13	30.98
	217.5	116.77	21.19	120.86	21.19	123.76	21.19	125.35	21.19	126.93	21.19	127.96	22.80	128.78	25.48	129.49	30.71	129.86	36.48
	290	112.91	26.69	118.14	26.69	121.84	26.69	123.84	26.69	125.85	26.69	127.17	28.43	128.22	30.98	129.15	36.21	129.62	41.97
	362.5	109.16	32.18	115.50	32.18	119.96	32.18	122.39	32.18	124.85	32.18	126.43	33.93	127.70	36.48	128.83	41.71	129.39	47.61
	435	105.55	37.82	112.94	37.82	118.14	37.82	120.99	37.82	123.84	37.82	125.72	39.43	127.20	41.97	128.52	47.20	129.18	53.10
	507.5	102.04	43.31	110.43	43.31	116.40	43.31	119.62	43.31	122.89	43.31	125.00	44.92	126.69	47.61	128.20	52.84	128.94	58.60
580	98.58	48.81	108.00	48.81	114.66	48.81	118.30	48.81	121.94	48.81	124.32	50.56	126.19	53.10	127.88	58.33	128.73	64.10	
280-46	72.5	142.53	10.86	144.14	10.86	145.28	10.86	145.89	10.86	146.52	10.86	146.92	12.47	147.23	15.15	147.52	20.38	147.68	26.15
	145	138.12	17.03	141.00	17.03	143.06	17.03	144.17	17.03	145.31	17.03	146.04	18.77	146.63	21.32	147.13	26.55	147.39	32.45
	217.5	134.03	23.33	138.12	23.33	141.03	23.33	142.61	23.33	144.20	23.33	145.23	25.08	146.04	27.62	146.78	32.85	147.13	38.62
	290	130.18	29.64	135.41	29.64	139.10	29.64	141.11	29.64	143.14	29.64	144.43	31.25	145.49	33.93	146.44	39.16	146.89	44.92
	362.5	126.46	35.94	132.77	35.94	137.23	35.94	139.66	35.94	142.11	35.94	143.70	37.55	144.96	40.10	146.10	45.33	146.65	51.23
	435	122.84	42.11	130.20	42.11	135.43	42.11	138.26	42.11	141.11	42.11	142.98	43.85	144.46	46.40	145.78	51.63	146.44	57.53
	507.5	119.30	48.41	127.72	48.41	133.66	48.41	136.88	48.41	140.16	48.41	142.27	50.15	143.96	52.70	145.46	57.93	146.20	63.70
580			125.27	54.71	131.92	54.71	135.56	54.71	139.21	54.71	141.58	56.32	143.46	59.00	145.15	64.23	145.99	70.00	
280-54	72.5	188.58	12.87	191.14	12.87	192.96	12.87	193.96	12.87	194.94	12.87	195.60	14.62	196.10	17.16	196.57	22.39	196.81	28.16
	145	181.53	21.32	186.15	21.32	189.45	21.32	191.22	21.32	193.01	21.32	194.20	22.93	195.12	25.48	195.94	30.71	196.36	36.61
	217.5	175.01	29.64	181.55	29.64	186.17	29.64	188.71	29.64	191.24	29.64	192.88	31.25	194.20	33.93	195.36	39.16	195.94	44.92
	290																		

Speed n=2900 r/min

METRIC

Size	Pressure ΔP Bar	Viscosity (mm ² /s)																	
		3		6		12		20		40		75		150		380		760	
		Flow L/min	Power kW	Flow L/min	Power kW	Flow L/min	Power kW	Flow L/min	Power kW	Flow L/min	Power kW	Flow L/min	Power kW	Flow L/min	Power kW	Flow L/min	Power kW	Flow L/min	Power kW
120-46	5.0	225	3.4	229	3.4	231	3.4	232	3.4	233	3.4	234	3.9	235	4.8	235	6.4	236	8.2
	10.0	216	5.4	222	5.4	226	5.4	229	5.4	231	5.4	232	5.9	234	6.7	235	8.4	235	10.2
	15.0	208	7.4	216	7.4	222	7.4	225	7.4	229	7.4	231	7.9	232	8.7	234	10.4	235	12.2
	20.0	200	9.3	211	9.3	218	9.3	222	9.3	227	9.3	229	9.9	231	10.7	233	12.3	234	14.2
	25.0	193	11.3	206	11.3	215	11.3	220	11.3	224	11.3	228	11.8	230	12.6	233	14.3	234	16.1
	30.0	185	13.3	200	13.3	211	13.3	217	13.3	222	13.3	226	13.8	229	14.6	232	16.3	233	18.1
	35.0			195	15.2	207	15.2	214	15.2	220	15.2	225	15.8	228	16.6	231	18.2	233	20.1
	40.0			190	17.2	204	17.2	211	17.2	219	17.2	223	17.7	227	18.6	231	20.2	232	22
120-54	5.0	297	4.1	303	4.1	306	4.1	308	4.1	310	4.1	312	4.6	313	5.4	314	7.1	314	8.9
	10.0	283	6.7	293	6.7	299	6.7	303	6.7	306	6.7	309	7.2	311	8	312	9.7	313	11.5
	15.0	270	9.3	283	9.3	293	9.3	298	9.3	303	9.3	306	9.9	309	10.7	311	12.3	312	14.2
	20.0	258	12	274	12	286	12	293	12	299	12	304	12.5	307	13.3	310	15	311	16.8
	25.0	245	14.6	266	14.6	280	14.6	288	14.6	296	14.6	301	15.1	305	15.9	309	17.6	311	19.4
	30.0			258	17.2	275	17.2	284	17.2	293	17.2	299	17.7	304	18.6	308	20.2	310	22
	35.0					269	19.8	279	19.8	290	19.8	297	20.4	302	21.2	307	22.8	309	24.7
	40.0					263	22.5	275	22.5	287	22.5	294	23	301	23.8	306	25.5	309	27.3
210-40	5.0	325	5.1	328	5.1	331	5.1	333	5.1	334	5.1	335	5.9	336	7.2	336	9.7	337	12.6
	10.0	315	7.9	321	7.9	326	7.9	329	7.9	331	7.9	333	8.7	334	10	335	12.5	336	15.4
	15.0	305	10.7	315	10.7	321	10.7	325	10.7	329	10.7	331	11.5	333	12.8	335	15.3	335	18.2
	20.0	297	13.5	308	13.5	317	13.5	322	13.5	326	13.5	329	14.3	332	15.6	334	18.2	335	21
	25.0	288	16.3	303	16.3	313	16.3	318	16.3	324	16.3	327	17.1	330	18.4	333	21	334	23.8
	30.0	280	19.1	297	19.1	309	19.1	315	19.1	322	19.1	326	19.9	329	21.2	332	23.8	334	26.6
	35.0	272	21.9	291	21.9	305	21.9	312	21.9	319	21.9	324	22.8	328	24	332	26.6	333	29.5
	40.0	264	24.7	285	24.7	301	24.7	309	24.7	317	24.7	323	25.6	327	26.8	331	29.4	333	32.3
210-46	5.0	407	5.8	412	5.8	415	5.8	417	5.8	419	5.8	420	6.6	421	7.9	422	10.4	423	13.3
	10.0	393	9.3	402	9.3	408	9.3	412	9.3	415	9.3	418	10.1	419	11.4	421	14	422	16.8
	15.0	380	12.8	393	12.8	402	12.8	407	12.8	412	12.8	415	13.7	418	14.9	420	17.5	421	20.4
	20.0	368	16.4	384	16.4	396	16.4	402	16.4	408	16.4	413	17.2	416	18.5	419	21	420	23.9
	25.0	356	19.9	376	19.9	390	19.9	398	19.9	405	19.9	410	20.7	414	22	418	24.6	420	27.4
	30.0	345	23.4	368	23.4	384	23.4	393	23.4	402	23.4	408	24.3	413	25.5	417	28.1	419	31
	35.0	334	27	360	27	379	27	389	27	399	27	406	27.8	411	29.1	416	31.6	418	34.5
	40.0			353	30.5	373	30.5	385	30.5	396	30.5	404	31.3	410	32.6	415	35.2	417	38
210-54	5.0	537	7	546	7	551	7	554	7	557	7	559	7.8	561	9	563	11.6	563	14.5
	10.0	515	11.7	530	11.7	540	11.7	546	11.7	551	11.7	555	12.5	558	13.8	561	16.3	562	19.2
	15.0	495	16.4	515	16.4	530	16.4	538	16.4	546	16.4	551	17.2	555	18.5	559	21	561	23.9
	20.0	476	21.1	502	21.1	520	21.1	530	21.1	541	21.1	547	21.9	552	23.2	557	25.7	559	28.6
	25.0	457	25.8	489	25.8	511	25.8	523	25.8	535	25.8	543	26.6	550	27.9	555	30.5	558	33.3
	30.0			476	30.5	502	30.5	516	30.5	530	30.5	540	31.3	547	32.6	554	35.2	557	38
	35.0					493	35.2	509	35.2	526	35.2	536	36	545	37.3	552	39.9	556	42.7
	40.0					484	39.9	503	39.9	521	39.9	533	40.8	542	42	551	44.6	555	47.5
280-43	5.0	474	7.5	480	7.5	485	7.5	487	7.5	489	7.5	491	8.8	492	10.7	493	14.6	494	18.9
	10.0	458	11.7	468	11.7	476	11.7	480	11.7	485	11.7	487	12.9	490	14.8	492	18.7	493	23.1
	15.0	442	15.8	458	15.8	468	15.8	474	15.8	480	15.8	484	17	487	19	490	22.9	492	27.2
	20.0	427	19.9	447	19.9	461	19.9	469	19.9	476	19.9	481	21.2	485	23.1	489	27	491	31.3
	25.0	413	24	437	24	454	24	463	24	473	24	479	25.3	483	27.2	488	31.1	490	35.5
	30.0	400	28.2	428	28.2	447	28.2	458	28.2	469	28.2	476	29.4	481	31.3	486	35.2	489	39.6
	35.0	386	32.3	418	32.3	441	32.3	453	32.3	465	32.3	473	33.5	480	35.5	485	39.4	488	43.7
	40.0	373	36.4	409	36.4	434	36.4	448	36.4	462	36.4	471	37.7	478	39.6	484	43.5	487	47.8
280-46	5.0	540	8.1	546	8.1	550	8.1	552	8.1	555	8.1	556	9.3	557	11.3	558	15.2	559	19.5
	10.0	523	12.7	534	12.7	542	12.7	546	12.7	550	12.7	553	14	555	15.9	557	19.8	558	24.2
	15.0	507	17.4	523	17.4	534	17.4	540	17.4	546	17.4	550	18.7	553	20.6	556	24.5	557	28.8
	20.0	493	22.1	513	22.1	527	22.1	534	22.1	542	22.1	547	23.3	551	25.3	554	29.2	556	33.5
	25.0	479	26.8	503	26.8	519	26.8	529	26.8	538	26.8	544	28	549	29.9	553	33.8	555	38.2
	30.0	465	31.4	493	31.4	513	31.4	523	31.4	534	31.4	541	32.7	547	34.6	552	38.5	554	42.9
	35.0	452	36.1	483	36.1	506	36.1	518	36.1	531	36.1	539	37.4	545	39.3	551	43.2	553	47.5
	40.0			474	40.8	499	40.8	513	40.8	527	40.8	536	42	543	44	549	47.9	553	52.2
280-54	5.0	714	9.6	724	9.6	730	9.6	734	9.6	738	9.6	740	10.9	742	12.8	744	16.7	745	21
	10.0	687	15.9	705	15.9	717	15.9	724	15.9	731	15.9	735	17.1	739	19	742	22.9	743	27.3
	15.0	662	22.1	687	22.1	705	22.1	714	22.1	724	22.1	730	23.3	735	25.3	740	29.2	742	33.5
	20.0	639	28.3	671	28.3	693	28.3	705	28.3	717	28.3	725	29.6	732	31.5	737	35.4	740	39.7
	25.0	616	34.5	655	34.5	682	34.5	696	34.5	711	34.5	721	35.8	729	37.7	735	41.6	739	46
	30.0			639	40.8	671	40.8	688	40.8	705	40.8	717	42	726	44	734	47.9	738	52.2
	35.0					660	47	680	47	699	47	712	48.3	722	50.2	732	54.1	736	58.4
	40.0					650	53.2	672	53.2	694	53.2	708	54.5	720	56.4	730	60.3	735	64.7

Values in the blue area of the table are not recommended. Blackmer reserves the right to change the data in the table without prior notice.

U.S. STANDARD

Speed n=2900 r/min

Size	Pressure PSI	Viscosity (mm ² /s)																	
		3		6		12		20		40		75		150		380		760	
		Flow GPM	Power HP	Flow GPM	Power HP	Flow GPM	Power HP	Flow GPM	Power HP	Flow GPM	Power HP	Flow GPM	Power HP	Flow GPM	Power HP	Flow GPM	Power HP	Flow GPM	Power HP
440-40	72.5	179.04	14.48	180.71	14.48	181.87	14.48	182.50	14.48	183.14	14.48	183.56	17.03	183.88	20.79	184.17	28.43	184.32	37.01
	145	174.53	22.39	177.51	22.39	179.60	22.39	180.76	22.39	181.90	22.39	182.66	24.81	183.24	28.56	183.77	36.34	184.03	44.92
	217.5	170.36	30.17	174.56	30.17	177.51	30.17	179.12	30.17	180.76	30.17	181.82	32.59	182.66	36.48	183.40	44.12	183.77	52.70
	290	166.40	37.95	171.76	37.95	175.53	37.95	177.59	37.95	179.68	37.95	181.02	40.50	182.08	44.25	183.06	51.90	183.53	60.48
	362.5	162.60	45.73	169.07	45.73	173.63	45.73	176.11	45.73	178.62	45.73	180.26	48.28	181.55	52.03	182.71	59.81	183.30	68.26
	435	158.88	53.64	166.43	53.64	171.78	53.64	174.69	53.64	177.62	53.64	179.52	56.05	181.02	59.94	182.40	67.59	183.06	76.17
	507.5	155.28	61.42	163.89	61.42	169.96	61.42	173.29	61.42	176.62	61.42	178.81	63.97	180.52	67.72	182.05	75.36	182.82	83.95
580	151.75	69.20	161.38	69.20	168.19	69.20	171.92	69.20	175.67	69.20	178.09	71.74	180.02	75.50	181.74	83.14	182.61	91.72	
440-46	72.5	227.36	16.63	229.60	16.63	231.18	16.63	232.06	16.63	232.93	16.63	233.51	19.18	233.96	22.93	234.35	30.57	234.56	39.16
	145	221.18	26.55	225.24	26.55	228.12	26.55	229.68	26.55	231.24	26.55	232.27	29.10	233.09	32.85	233.80	40.50	234.17	49.08
	217.5	215.48	36.61	221.21	36.61	225.27	36.61	227.46	36.61	229.68	36.61	231.13	39.02	232.27	42.78	233.30	50.56	233.82	59.14
	290	210.06	46.53	217.38	46.53	222.55	46.53	225.38	46.53	228.20	46.53	230.05	48.95	231.50	52.84	232.82	60.48	233.48	69.06
	362.5	204.84	56.46	213.68	56.46	219.94	56.46	223.34	56.46	226.78	56.46	228.99	58.87	230.76	62.76	232.35	70.40	233.14	78.98
	435	199.77	66.38	210.12	66.38	217.40	66.38	221.39	66.38	225.38	66.38	227.99	68.93	230.05	72.68	231.90	80.33	232.82	88.91
	507.5	194.83	76.30	206.61	76.30	214.95	76.30	219.46	76.30	224.03	76.30	227.01	78.85	229.36	82.61	231.48	90.25	232.50	98.83
580			203.20	86.36	212.52	86.36	217.59	86.36	222.71	86.36	226.04	88.77	228.68	92.53	231.05	100.31	232.21	108.76	
440-52	72.5	264.74	18.37	268.33	18.37	270.86	18.37	272.26	18.37	273.64	18.37	274.56	20.92	275.27	24.67	275.93	32.45	276.25	40.90
	145	254.87	30.17	261.36	30.17	265.93	30.17	268.44	30.17	270.94	30.17	272.58	32.59	273.87	36.48	275.04	44.12	275.62	52.70
	217.5	245.76	41.84	254.92	41.84	261.39	41.84	264.90	41.84	268.46	41.84	270.76	44.39	272.58	48.14	274.24	55.79	275.06	64.37
	290	237.10	53.64	248.79	53.64	257.06	53.64	261.54	53.64	266.09	53.64	269.04	56.05	271.37	59.94	273.48	67.59	274.51	76.17
	362.5	228.76	65.31	242.88	65.31	252.89	65.31	258.32	65.31	263.79	65.31	267.35	67.85	270.18	71.61	272.74	79.25	273.98	87.84
	435			237.18	77.11	248.85	77.11	255.18	77.11	261.57	77.11	265.74	79.52	269.04	83.28	272.00	91.05	273.48	99.64
	507.5			231.58	88.77	244.89	88.77	252.12	88.77	259.43	88.77	264.16	91.32	267.93	95.08	271.31	102.72	272.98	111.30
580				100.58	249.14	100.58	257.29	100.58	262.63	102.99	266.82	106.74	270.63	114.52	272.50	122.97			
440-54	72.5	296.63	19.85	300.22	19.85	302.78	19.85	304.15	19.85	305.55	19.85	306.45	22.26	307.16	26.02	307.82	33.79	308.14	42.24
	145	286.76	32.85	293.25	32.85	297.84	32.85	300.33	32.85	302.83	32.85	304.47	35.27	305.79	39.16	306.95	46.80	307.53	55.38
	217.5	277.65	46.00	286.81	46.00	293.28	46.00	296.82	46.00	300.35	46.00	302.65	48.41	304.50	52.16	306.13	59.94	306.95	68.39
	290	268.99	59.00	280.68	59.00	288.95	59.00	293.46	59.00	297.98	59.00	300.93	61.55	303.26	65.31	305.37	72.95	306.40	81.53
	362.5	260.65	72.15	274.80	72.15	284.78	72.15	290.22	72.15	299.27	72.15	299.27	74.56	302.10	78.31	304.63	86.09	305.87	94.54
	435			269.07	85.15	280.74	85.15	287.10	85.15	293.49	85.15	297.63	87.70	300.93	91.46	303.92	99.10	305.37	107.68
	507.5				100.58	276.80	100.58	284.04	100.58	291.32	100.58	296.08	100.71	299.82	104.46	303.20	112.24	304.87	120.82
580				111.30	272.92	111.30	281.05	111.30	289.21	111.30	294.52	113.85	298.74	117.61	302.52	125.25	304.39	133.83	
660-40	72.5	277.54	21.72	279.76	21.72	281.32	21.72	282.16	21.72	283.01	21.72	283.56	25.34	284.01	30.71	284.41	41.84	284.59	54.18
	145	271.52	33.79	275.48	33.79	278.28	33.79	279.81	33.79	281.34	33.79	282.35	37.41	283.14	42.78	283.85	53.91	284.22	66.25
	217.5	265.95	45.86	271.55	45.86	275.51	45.86	277.68	45.86	279.84	45.86	281.24	49.48	282.37	54.85	283.38	65.98	283.85	78.31
	290	260.65	57.93	267.80	57.93	272.87	57.93	275.62	57.93	278.39	57.93	280.18	61.55	281.61	66.92	282.90	78.05	283.54	90.38
	362.5	255.55	70.00	264.21	70.00	270.31	70.00	273.64	70.00	276.99	70.00	279.15	73.62	280.90	78.98	282.45	90.12	283.22	102.45
	435	250.62	82.07	260.70	82.07	267.83	82.07	271.71	82.07	275.64	82.07	278.18	85.56	280.18	91.05	282.00	102.18	282.90	114.52
	507.5	245.78	94.14	257.29	94.14	265.43	94.14	269.86	94.14	274.30	94.14	277.20	97.62	279.52	103.12	281.58	114.25	282.59	126.59
580	241.06	106.21	253.94	106.21	263.08	106.21	268.01	106.21	273.03	106.21	276.28	109.69	278.84	115.19	281.16	126.32	282.30	138.66	
660-44	72.5	314.27	23.33	317.28	23.33	319.39	23.33	320.55	23.33	321.71	23.33	322.48	26.95	323.08	32.45	323.61	43.45	323.90	55.79
	145	306.00	37.15	311.44	37.15	315.27	37.15	317.35	37.15	319.47	37.15	320.84	40.63	321.92	46.13	322.90	57.26	323.37	69.60
	217.5	298.37	50.82	306.03	50.82	311.47	50.82	314.40	50.82	317.38	50.82	319.31	54.44	320.84	59.94	322.21	70.94	322.90	83.28
	290	291.14	64.64	300.91	64.64	307.82	64.64	311.60	64.64	315.40	64.64	317.86	68.12	319.81	73.62	321.58	84.75	322.45	97.09
	362.5	284.14	78.31	295.97	78.31	304.34	78.31	308.91	78.31	313.47	78.31	316.46	81.94	318.83	87.43	320.94	98.43	322.00	110.77
	435	277.38	92.13	291.19	92.13	300.96	92.13	306.27	92.13	311.63	92.13	315.11	95.61	317.86	101.11	320.34	112.24	321.58	124.44
	507.5			286.52	105.80	297.66	105.80	303.71	105.80	309.80	105.80	313.79	109.43	316.93	114.92	319.76	125.92	321.16	138.26
580			281.95	119.62	294.44	119.62	301.22	119.62	308.04	119.62	312.50	123.10	316.03	128.60	319.18	139.60	320.76	151.94	
660-46	72.5	340.56	24.54	343.57	24.54	345.71	24.54	346.87	24.54	348.03	24.54	348.80	28.03	349.40	33.53	349.93	44.66	350.20	56.99
	145	332.32	39.29	337.74	39.29	341.59	39.29	343.68	39.29	345.79	39.29	347.13	42.91	348.24	48.41	349.19	59.41	349.69	71.74
	217.5	324.69	54.18	332.35	54.18	337.76	54.18	340.72	54.18	343.68	54.18	345.63	57.80	347.16	63.30	348.53	74.29	349.22	86.63
	290	317.43	69.06	327.23	69.06	334.14	69.06	337.92	69.06	341.70	69.06	344.18	72.68	346.13	78.05	347.87	89.18	348.74	101.51
	362.5	310.46	83.95	322.29	83.95	330.66	83.95	335.20	83.95	339.79	83.95	342.78	87.43	345.13	92.93	347.27	104.06	348.32	116.40
	435	303.71	98.70	317.51	98.70	327.28	98.70	332.59	98.70	337.95	98.70	341.43	102.32	344.18	107.82	346.66	118.81	347.90	131.15
	507.5			312.84	113.58	323.98	113.58	330.03	113.58	336.12	113.58	340.11	117.20	343.25	122.70	346.08	133.70	347.48	146.03
580			308.27	128.47	320.73	128.47	327.52	128.47	334.36	128.47	338.82	132.09	342.33	137.45	345.50	148.58	347.05	160.92	
940-42	72.5	403.00	31.51	406.90	31.51	409.65	31.51	411.15	31.51	412.66	31.51	413.64	36.61	414.40	44.39	415.11	60.21	415.46	77.91
	145	392.36	49.08	399.35	49.08	404.32	49.08	407.01	49.08	409.73	49.08	411.50	54.18						

Speed n=2900 r/min

METRIC

Size	Pressure ΔP Bar	Viscosity (mm ² /s)																	
		3		6		12		20		40		75		150		380		760	
		Flow L/min	Power kW	Flow L/min	Power kW	Flow L/min	Power kW	Flow L/min	Power kW	Flow L/min	Power kW	Flow L/min	Power kW	Flow L/min	Power kW	Flow L/min	Power kW	Flow L/min	Power kW
440-40	5.0	678	10.8	684	10.8	688	10.8	691	10.8	693	10.8	695	12.7	696	15.5	697	21.2	698	27.6
	10.0	661	16.7	672	16.7	680	16.7	684	16.7	689	16.7	691	18.5	694	21.3	696	27.1	697	33.5
	15.0	645	22.5	661	22.5	672	22.5	678	22.5	684	22.5	688	24.3	691	27.2	694	32.9	696	39.3
	20.0	630	28.3	650	28.3	664	28.3	672	28.3	680	28.3	685	30.2	689	33	693	38.7	695	45.1
	25.0	615	34.1	640	34.1	657	34.1	667	34.1	676	34.1	682	36	687	38.8	692	44.6	694	50.9
	30.0	601	40	630	40	650	40	661	40	672	40	680	41.8	685	44.7	690	50.4	693	56.8
	35.0	588	45.8	620	45.8	643	45.8	656	45.8	669	45.8	677	47.7	683	50.5	689	56.2	692	62.6
	40.0	574	51.6	611	51.6	637	51.6	651	51.6	665	51.6	674	53.5	681	56.3	688	62	691	68.4
440-46	5.0	861	12.4	869	12.4	875	12.4	878	12.4	882	12.4	884	14.3	886	17.1	887	22.8	888	29.2
	10.0	837	19.8	853	19.8	864	19.8	869	19.8	875	19.8	879	21.7	882	24.5	885	30.2	886	36.6
	15.0	816	27.3	837	27.3	853	27.3	861	27.3	869	27.3	875	29.1	879	31.9	883	37.7	885	44.1
	20.0	795	34.7	823	34.7	842	34.7	853	34.7	864	34.7	871	36.5	876	39.4	881	45.1	884	51.5
	25.0	775	42.1	809	42.1	833	42.1	845	42.1	858	42.1	867	43.9	874	46.8	880	52.5	883	58.9
	30.0	756	49.5	795	49.5	823	49.5	838	49.5	853	49.5	863	51.4	871	54.2	878	59.9	881	66.3
	35.0	738	56.9	782	56.9	814	56.9	831	56.9	848	56.9	859	58.8	868	61.6	876	67.3	880	73.7
	40.0			769	64.4	804	64.4	824	64.4	843	64.4	856	66.2	866	69	875	74.8	879	81.1
440-52	5.0	1002	13.7	1016	13.7	1025	13.7	1031	13.7	1036	13.7	1039	15.6	1042	18.4	1045	24.2	1046	30.5
	10.0	965	22.5	989	22.5	1007	22.5	1016	22.5	1026	22.5	1032	24.3	1037	27.2	1041	32.9	1043	39.3
	15.0	930	31.2	965	31.2	989	31.2	1003	31.2	1016	31.2	1025	33.1	1032	35.9	1038	41.6	1041	48
	20.0	898	40	942	40	973	40	990	40	1007	40	1018	41.8	1027	44.7	1035	50.4	1039	56.8
	25.0	866	48.7	919	48.7	957	48.7	978	48.7	999	48.7	1012	50.6	1023	53.4	1032	59.1	1037	65.5
	30.0			898	57.5	942	57.5	966	57.5	990	57.5	1006	59.3	1018	62.1	1030	67.9	1035	74.3
	35.0			877	66.2	927	66.2	954	66.2	982	66.2	1000	68.1	1014	70.9	1027	76.6	1033	83
	40.0					912	75	943	75	974	75	994	76.8	1010	79.6	1024	85.4	1032	91.7
440-54	5.0	1123	14.8	1136	14.8	1146	14.8	1151	14.8	1157	14.8	1160	16.6	1163	19.4	1165	25.2	1166	31.5
	10.0	1085	24.5	1110	24.5	1127	24.5	1137	24.5	1146	24.5	1153	26.3	1158	29.2	1162	34.9	1164	41.3
	15.0	1051	34.3	1086	34.3	1110	34.3	1124	34.3	1137	34.3	1146	36.1	1153	38.9	1159	44.7	1162	51
	20.0	1018	44	1063	44	1094	44	1111	44	1128	44	1139	45.9	1148	48.7	1156	54.4	1160	60.8
	25.0	987	53.8	1040	53.8	1078	53.8	1099	53.8	1119	53.8	1133	55.6	1144	58.4	1153	64.2	1158	70.5
	30.0			1019	63.5	1063	63.5	1087	63.5	1111	63.5	1127	65.4	1139	68.2	1150	73.9	1156	80.3
	35.0					1048	73.3	1075	73.3	1103	73.3	1121	75.1	1135	77.9	1148	83.7	1154	90.1
	40.0					1033	83	1064	83	1095	83	1115	84.9	1131	87.7	1145	93.4	1152	99.8
660-40	5.0	1051	16.2	1059	16.2	1065	16.2	1068	16.2	1071	16.2	1073	18.9	1075	22.9	1077	31.2	1077	40.4
	10.0	1028	25.2	1043	25.2	1053	25.2	1059	25.2	1065	25.2	1069	27.9	1072	31.9	1074	40.2	1076	49.4
	15.0	1007	34.2	1028	34.2	1043	34.2	1051	34.2	1059	34.2	1065	36.9	1069	40.9	1073	49.2	1074	58.4
	20.0	987	43.2	1014	43.2	1033	43.2	1043	43.2	1054	43.2	1061	45.9	1066	49.9	1071	58.2	1073	67.4
	25.0	967	52.2	1000	52.2	1023	52.2	1036	52.2	1049	52.2	1057	54.9	1063	58.9	1069	67.2	1072	76.4
	30.0	949	61.2	987	61.2	1014	61.2	1029	61.2	1043	61.2	1053	63.8	1061	67.9	1068	76.2	1071	85.4
	35.0	930	70.2	974	70.2	1005	70.2	1022	70.2	1038	70.2	1049	72.8	1058	76.9	1066	85.2	1070	94.4
	40.0	913	79.2	961	79.2	996	79.2	1015	79.2	1034	79.2	1046	81.8	1056	85.9	1064	94.2	1069	103
660-44	5.0	1190	17.4	1201	17.4	1209	17.4	1213	17.4	1218	17.4	1221	20.1	1223	24.2	1225	32.4	1226	41.6
	10.0	1158	27.7	1179	27.7	1193	27.7	1201	27.7	1209	27.7	1215	30.3	1219	34.4	1222	42.7	1224	51.9
	15.0	1129	37.9	1158	37.9	1179	37.9	1190	37.9	1201	37.9	1209	40.6	1215	44.7	1220	52.9	1222	62.1
	20.0	1102	48.2	1139	48.2	1165	48.2	1180	48.2	1194	48.2	1203	50.8	1211	54.9	1217	63.2	1221	72.4
	25.0	1076	58.4	1120	58.4	1152	58.4	1169	58.4	1187	58.4	1198	61.1	1207	65.2	1215	73.4	1219	82.6
	30.0	1050	68.7	1102	68.7	1139	68.7	1159	68.7	1180	68.7	1193	71.3	1203	75.4	1213	83.7	1217	92.8
	35.0			1085	78.9	1127	78.9	1150	78.9	1173	78.9	1188	81.6	1200	85.7	1210	93.9	1216	103
	40.0			1067	89.2	1115	89.2	1140	89.2	1166	89.2	1183	91.8	1196	95.9	1208	104	1214	113
660-46	5.0	1289	18.3	1301	18.3	1309	18.3	1313	18.3	1317	18.3	1320	20.9	1323	25	1325	33.3	1326	42.5
	10.0	1258	29.3	1278	29.3	1293	29.3	1301	29.3	1309	29.3	1314	32	1318	36.1	1322	44.3	1324	53.5
	15.0	1229	40.4	1258	40.4	1279	40.4	1290	40.4	1301	40.4	1308	43.1	1314	47.2	1319	55.4	1322	64.6
	20.0	1202	51.5	1239	51.5	1265	51.5	1279	51.5	1293	51.5	1303	54.2	1310	58.2	1317	66.5	1320	75.7
	25.0	1175	62.6	1220	62.6	1252	62.6	1269	62.6	1286	62.6	1298	65.2	1306	69.3	1315	77.6	1319	86.8
	30.0	1150	73.6	1202	73.6	1239	73.6	1259	73.6	1279	73.6	1292	76.3	1303	80.4	1312	88.6	1317	97.8
	35.0			1184	84.7	1226	84.7	1249	84.7	1272	84.7	1287	87.4	1299	91.5	1310	99.7	1315	109
	40.0			1167	95.8	1214	95.8	1240	95.8	1266	95.8	1283	98.5	1296	102	1308	111	1314	120
940-42	5.0	1526	23.5	1540	23.5	1551	23.5	1556	23.5	1562	23.5	1566	27.3	1569	33.1	1571	44.9	1573	58.1
	10.0	1485	36.6	1512	36.6	1531	36.6	1541	36.6	1551	36.6	1558	40.4	1563	46.3	1568	58.1	1570	71.3
	15.0	1448	49.7	1485	49.7	1512	49.7	1526	49.7	1541	49.7	1550	53.6	1558	59.4	1564	71.2	1568	84.4
	20.0	1412	62.9	1460	62.9	1494	62.9	1513	62.9	1531	62.9	1543	66.7	1553	72.5	1561	84.4	1566	97.5
	25.0	1378	76	1436	76	1477	76	1499	76	1522	76	1536	79.8	1548	85.7	1558	97.5	1563	111
	30.0	1345	89.2	1413	89.2	1461	89.2	1487	89.2	1513	89.2	1530	93	1543	98.8	1555	111	1561	124
	35.0	1313	102	1390	102	1444	102	1474	102	1504	102	1523	106	1539	112	1552	124	1559	137
	40.0			1368	115	1429	115	1462	115	1495	115	1517	119	1534	125	1550	137	1557	150

Values in the blue area of the table are not recommended. Blackmer reserves the right to change the data in the table without prior notice.

U.S. STANDARD

Speed n=2900 r/min

Size	Pressure PSI	Viscosity (mm ² /s)																	
		3		6		12		20		40		75		150		380		760	
		Flow GPM	Power HP	Flow GPM	Power HP	Flow GPM	Power HP	Flow GPM	Power HP	Flow GPM	Power HP	Flow GPM	Power HP	Flow GPM	Power HP	Flow GPM	Power HP	Flow GPM	Power HP
940-46	72.5	486.26	35.00	490.17	35.00	492.91	35.00	494.39	35.00	495.92	35.00	496.90	40.10	497.67	48.01	498.38	63.83	498.72	81.53
	145	475.60	56.19	482.62	56.19	487.58	56.19	490.27	56.19	492.99	56.19	494.76	61.28	496.16	69.06	497.43	84.89	498.04	102.59
	217.5	465.75	77.24	475.65	77.24	482.64	77.24	486.47	77.24	490.30	77.24	492.78	82.34	494.76	90.25	496.56	106.07	497.43	123.77
	290	456.40	98.43	469.02	98.43	477.97	98.43	482.83	98.43	487.74	98.43	490.91	103.53	493.44	111.44	495.71	127.26	496.85	144.96
	362.5	447.37	119.62	462.66	119.62	473.46	119.62	479.34	119.62	485.26	119.62	489.11	124.71	492.18	132.49	494.92	148.45	496.27	166.02
	435					469.10	140.67	475.97	140.67	482.86	140.67	487.37	145.77	490.93	153.68	494.13	169.50	495.71	187.20
	507.5									480.53	161.86	485.65	166.95	489.72	174.87	493.39	190.69	495.18	208.39
	580											483.99	188.14	488.56	195.92	492.65	211.88	494.66	229.45
940-50	72.5	547.69	37.95	553.92	37.95	558.31	37.95	560.71	37.95	563.11	37.95	564.70	43.05	565.94	50.82	567.05	66.78	567.60	84.35
	145	530.64	61.95	541.86	61.95	549.78	61.95	554.11	61.95	558.44	61.95	561.26	67.05	563.51	74.96	565.54	90.79	566.52	108.49
	217.5	514.91	86.09	530.72	86.09	541.91	86.09	548.01	86.09	554.14	86.09	558.12	91.19	561.29	99.10	564.14	114.92	565.54	132.62
	290	499.94	110.23	520.13	110.23	534.44	110.23	542.20	110.23	550.04	110.23	555.14	115.33	559.18	123.10	562.80	138.93	564.59	156.63
	362.5			509.94	134.23	527.23	134.23	536.63	134.23	546.08	134.23	552.26	139.33	557.15	147.24	561.53	163.07	563.69	180.77
	435					520.24	158.37	531.22	158.37	542.26	158.37	549.46	163.47	555.17	171.25	560.29	187.20	562.82	204.77
	507.5									538.53	182.38	546.72	187.47	553.24	195.38	559.07	211.21	561.95	228.91
	580											544.05	211.61	551.34	219.52	557.88	235.35	561.11	253.05

Values in the grey area of the table are not recommended. Blackmer reserves the right to change the data in the table without prior notice.

Speed n=2900 r/min

METRIC

Size	Pressure ΔP Bar	Viscosity (mm ² /s)																	
		3		6		12		20		40		75		150		380		760	
		Flow L/min	Power kW	Flow L/min	Power kW	Flow L/min	Power kW	Flow L/min	Power kW	Flow L/min	Power kW	Flow L/min	Power kW	Flow L/min	Power kW	Flow L/min	Power kW	Flow L/min	Power kW
940-46	5.0	1841	26.1	1855	26.1	1866	26.1	1871	26.1	1877	26.1	1881	29.9	1884	35.8	1887	47.6	1888	60.8
	10.0	1800	41.9	1827	41.9	1846	41.9	1856	41.9	1866	41.9	1873	45.7	1878	51.5	1883	63.3	1885	76.5
	15.0	1763	57.6	1801	57.6	1827	57.6	1841	57.6	1856	57.6	1865	61.4	1873	67.3	1880	79.1	1883	92.3
	20.0	1728	73.4	1775	73.4	1809	73.4	1828	73.4	1846	73.4	1858	77.2	1868	83.1	1876	94.9	1881	108
	25.0	1693	89.2	1751	89.2	1792	89.2	1815	89.2	1837	89.2	1851	93	1863	98.8	1873	111	1879	124
	30.0					1776	105	1802	105	1828	105	1845	109	1858	115	1870	126	1876	140
	35.0									1819	121	1838	124	1854	130	1868	142	1874	155
	40.0											1832	140	1849	146	1865	158	1872	171
940-50	5.0	2073	28.3	2097	28.3	2113	28.3	2123	28.3	2132	28.3	2138	32.1	2142	37.9	2147	49.8	2149	62.9
	10.0	2009	46.2	2051	46.2	2081	46.2	2098	46.2	2114	46.2	2125	50	2133	55.9	2141	67.7	2145	80.9
	15.0	1949	64.2	2009	64.2	2051	64.2	2074	64.2	2098	64.2	2113	68	2125	73.9	2136	85.7	2141	98.9
	20.0	1892	82.2	1969	82.2	2023	82.2	2052	82.2	2082	82.2	2101	86	2117	91.8	2130	104	2137	117
	25.0			1930	100	1996	100	2031	100	2067	100	2091	104	2109	110	2126	122	2134	135
	30.0					1969	118	2011	118	2053	118	2080	122	2102	128	2121	140	2131	153
	35.0									2039	136	2070	140	2094	146	2116	157	2127	171
	40.0											2059	158	2087	164	2112	175	2124	189

Values in the blue area of the table are not recommended. Blackmer reserves the right to change the data in the table without prior notice.

U.S. STANDARD

Speed n=3500 r/min

Size	Pressure PSI	Viscosity (mm ² /s)																	
		3		6		12		20		40		75		150		380		760	
		Flow GPM	Power HP	Flow GPM	Power HP	Flow GPM	Power HP	Flow GPM	Power HP	Flow GPM	Power HP	Flow GPM	Power HP	Flow GPM	Power HP	Flow GPM	Power HP	Flow GPM	Power HP
40-38	72.5	19.30	2.01	19.59	2.01	19.80	2.01	19.93	2.01	20.04	2.01	20.12	2.41	20.17	3.08	20.22	4.43	20.25	6.03
	145	18.48	2.95	19.01	2.95	19.40	2.95	19.62	2.95	19.83	2.95	19.96	3.35	20.06	4.02	20.17	5.36	20.20	6.84
	217.5	17.71	3.75	18.48	3.75	19.01	3.75	19.32	3.75	19.62	3.75	19.80	4.16	19.96	4.83	20.09	6.17	20.17	7.64
	290	17.00	4.56	17.98	4.56	18.66	4.56	19.03	4.56	19.40	4.56	19.67	5.10	19.85	5.77	20.04	7.11	20.12	8.58
	362.5	16.29	5.50	17.48	5.50	18.32	5.50	18.77	5.50	19.22	5.50	19.51	5.90	19.75	6.57	19.96	7.91	20.06	9.39
	435	15.63	6.30	17.00	6.30	17.98	6.30	18.51	6.30	19.03	6.30	19.38	6.71	19.67	7.38	19.91	8.72	20.04	10.33
	507.5	14.97	7.24	16.53	7.24	17.64	7.24	18.24	7.24	18.85	7.24	19.25	7.64	19.56	8.31	19.85	9.66	19.98	11.13
	580	14.31	8.05	16.08	8.05	17.32	8.05	18.00	8.05	18.69	8.05	19.11	8.45	19.48	9.12	19.80	10.46	19.96	11.93
40-46	72.5	25.71	2.28	26.11	2.28	26.40	2.28	26.56	2.28	26.72	2.28	26.82	2.82	26.90	3.35	26.98	4.69	27.01	6.30
	145	24.60	3.49	25.32	3.49	25.85	3.49	26.14	3.49	26.43	3.49	26.61	3.89	26.74	4.56	26.88	5.90	26.95	7.38
	217.5	23.55	4.56	24.60	4.56	25.32	4.56	25.74	4.56	26.14	4.56	26.40	5.10	26.61	5.77	26.80	7.11	26.88	8.58
	290	22.57	5.77	23.89	5.77	24.84	5.77	25.34	5.77	25.87	5.77	26.19	6.17	26.45	6.84	26.69	8.18	26.82	9.66
	362.5	21.65	6.97	23.23	6.97	24.37	6.97	24.97	6.97	25.61	6.97	26.00	7.38	26.32	8.05	26.61	9.39	26.77	10.86
	435	20.72	8.05	22.60	8.05	23.92	8.05	24.63	8.05	25.34	8.05	25.82	8.45	26.19	9.12	26.53	10.46	26.69	11.93
	507.5	19.83	9.25	21.96	9.25	23.47	9.25	24.29	9.25	25.11	9.25	25.63	9.66	26.08	10.33	26.45	11.67	26.64	13.14
	580	19.19	10.05	21.33	10.05	23.02	10.05	23.94	10.05	24.87	10.05	25.48	10.73	25.95	11.40	26.37	12.74	26.58	14.35
40-54	72.5	34.19	2.68	34.85	2.68	35.30	2.68	35.56	2.68	35.80	2.68	35.98	3.08	36.09	3.75	36.22	5.10	36.27	6.71
	145	32.39	4.29	33.58	4.29	34.40	4.29	34.87	4.29	35.32	4.29	35.61	4.69	35.85	5.36	36.06	6.71	36.17	8.18
	217.5	30.76	5.77	32.42	5.77	33.58	5.77	34.21	5.77	34.87	5.77	35.27	6.17	35.61	6.84	35.90	8.18	36.06	9.79
	290	29.17	7.38	31.31	7.38	32.79	7.38	33.61	7.38	34.43	7.38	34.98	7.78	35.40	8.45	35.77	9.79	35.96	11.26
	362.5	27.67	8.85	30.23	8.85	32.05	8.85	33.03	8.85	34.03	8.85	34.66	9.25	35.19	9.92	35.64	11.26	35.88	12.87
	435	26.20	10.05	29.20	10.05	31.31	10.05	32.47	10.05	33.61	10.05	34.37	10.86	34.98	11.53	35.51	12.87	35.77	14.35
	507.5	24.83	11.93	28.05	11.93	30.60	11.93	31.92	11.93	33.24	11.93	34.08	12.34	34.77	13.01	35.38	14.35	35.69	15.96
	580	23.55	13.54	26.88	13.54	29.88	13.54	31.36	13.54	32.84	13.54	33.82	13.95	34.58	14.62	35.27	15.96	35.59	17.43
80-36	72.5	35.40	3.22	35.88	3.22	36.22	3.22	36.41	3.22	36.59	3.22	36.72	3.75	36.83	4.69	36.91	6.57	36.96	8.72
	145	34.06	4.83	34.95	4.83	35.56	4.83	35.90	4.83	36.25	4.83	36.46	5.36	36.62	6.30	36.78	8.18	36.85	10.33
	217.5	32.84	6.30	34.08	6.30	34.95	6.30	35.43	6.30	35.90	6.30	36.22	6.97	36.46	7.91	36.67	9.79	36.78	11.80
	290	31.68	7.91	33.24	7.91	34.37	7.91	34.98	7.91	35.59	7.91	35.98	8.58	36.30	9.39	36.56	11.26	36.72	13.41
	362.5	30.54	9.52	32.45	9.52	33.79	9.52	34.53	9.52	35.27	9.52	35.75	10.06	36.14	11.00	36.48	12.87	36.64	15.02
	435	29.46	11.00	31.68	11.00	33.26	11.00	34.11	11.00	34.98	11.00	35.53	11.67	35.98	12.61	36.38	14.48	36.56	16.63
	507.5	28.41	12.61	30.94	12.61	32.74	12.61	33.71	12.61	34.69	12.61	35.32	13.28	35.82	14.21	36.27	16.09	36.51	18.10
	580	27.35	14.21	30.20	14.21	32.21	14.21	33.29	14.21	34.40	14.21	35.11	14.75	35.69	15.69	36.19	17.57	36.43	19.71
80-42	72.5	42.72	3.49	43.38	3.49	43.85	3.49	44.11	3.49	44.38	3.49	44.54	4.16	44.67	5.10	44.80	6.97	44.85	9.12
	145	40.89	5.50	42.11	5.50	42.95	5.50	43.40	5.50	43.88	5.50	44.17	6.03	44.40	6.97	44.62	8.85	44.72	11.00
	217.5	39.20	7.38	40.89	7.38	42.11	7.38	42.74	7.38	43.40	7.38	43.82	7.91	44.17	8.85	44.48	10.73	44.62	12.87
	290	37.62	9.25	39.78	9.25	41.29	9.25	42.13	9.25	42.98	9.25	43.51	9.92	43.96	10.86	44.33	12.74	44.54	14.75
	362.5	36.06	11.13	38.68	11.13	40.52	11.13	41.53	11.13	42.56	11.13	43.22	11.80	43.72	12.74	44.19	14.62	44.43	16.63
	435	34.58	13.01	37.62	13.01	39.78	13.01	40.95	13.01	42.13	13.01	42.90	13.68	43.51	14.62	44.06	16.49	44.33	18.64
	507.5	33.13	15.02	36.59	15.02	39.05	15.02	40.39	15.02	41.74	15.02	42.61	15.56	43.32	16.49	43.93	18.37	44.25	20.52
	580	31.71	16.90	35.59	16.90	38.33	16.90	39.84	16.90	41.34	16.90	42.32	17.43	43.11	18.37	43.80	20.25	44.17	22.39
80-46	72.5	50.66	3.89	51.32	3.89	51.80	3.89	52.06	3.89	52.30	3.89	52.48	4.43	52.62	5.36	52.72	7.24	52.80	9.39
	145	48.84	6.17	50.03	6.17	50.87	6.17	51.35	6.17	51.80	6.17	52.11	6.71	52.35	7.64	52.56	9.52	52.67	11.67
	217.5	47.15	8.31	48.84	8.31	50.05	8.31	50.69	8.31	51.35	8.31	51.77	8.98	52.11	9.92	52.40	11.80	52.56	13.81
	290	45.57	10.59	47.70	10.59	49.24	10.59	50.08	10.59	50.90	10.59	51.45	11.26	51.88	12.20	52.27	14.08	52.46	16.09
	362.5	44.01	12.87	46.62	12.87	48.47	12.87	49.47	12.87	50.48	12.87	51.14	13.41	51.66	14.35	52.14	16.23	52.38	18.37
	435	42.53	15.02	45.57	15.02	47.73	15.02	48.89	15.02	50.08	15.02	50.85	15.69	51.45	16.63	52.01	18.51	52.27	20.65
	507.5	41.05	17.30	44.54	17.30	46.99	17.30	48.34	17.30	49.68	17.30	50.56	17.97	51.24	18.91	51.88	20.79	52.19	22.80
	580	39.57	19.58	43.53	19.58	46.28	19.58	47.78	19.58	49.29	19.58	50.27	20.12	51.06	21.05	51.74	22.93	52.09	25.08
80-54	72.5	66.50	4.56	67.56	4.56	68.32	4.56	68.72	4.56	69.14	4.56	69.41	5.23	69.62	6.17	69.80	8.05	69.91	10.06
	145	63.60	7.64	65.50	7.64	66.87	7.64	67.58	7.64	68.35	7.64	68.82	8.18	69.19	9.12	69.54	11.00	69.72	13.14
	217.5	60.88	10.59	63.60	10.59	65.52	10.59	66.55	10.59	67.61	10.59	68.30	11.13	68.82	12.07	69.30	13.95	69.56	16.09
	290	58.34	13.54	61.78	13.54	64.23	13.54	65.55	13.54	66.90	13.54	67.77	14.08	68.46	15.02	69.09	16.90	69.38	19.04
	362.5	55.86	16.49	60.03	16.49	62.99	16.49	64.60	16.49	66.24	16.49	67.27	17.03	68.11	17.97	68.88	19.85	69.25	21.99
	435	54.40	19.44	58.34	19.44	61.80	19.44	63.68	19.44	65.58	19.44	66.79	20.12	67.77	21.05	68.64	22.93	69.09	24.94
	507.5	52.93	22.39	56.64	22.39	60.64	22.39	62.78	22.39	64.94	22.39	66.34	23.07	67.45	24.00	68.46	25.88	68.93	27.89
	580	51.45	25.34	55.11	25.34	59.11	25.34	61.88	25.34	64.31	25.34	65.87	26.02	67.14	26.95	68.24	28.83	68.80	30.84
120-42	72.5	60.72	5.50	61.56	5.50	62.17	5.50	62.52	5.50	62.83	5.50	63.04	6.57	63.23	8.18	63.39	11.40	63.47	15.02
	145	58.37	8.18	59.90	8.18	61.01	8.18	61.59	8.18	62.20	8.18	62.59	9.25	62.88	10.86	63.18	14.08	63.31	17.70
	217.5	56.18	10.86	58.37	10.86	59.90	10.86	60.75	10.86	61.59	10.86	62.15	11.93	62.59	13.54	62.99	16.76	63.18	20.38
	290	54.12	13.54	56.92	13.54	58.87	13.54	59.95	13.54	61.04	13.54	61.75	14.62	62.30	16.23	62.81	19.44	63.04	23.07
	362.5	52.14	16.23	55.49	16.23	57.90	16.23	59.19	16.23	60.48	16.23	61.33	17.30	62.01	18.91	62.62	22.13	62.91	25.75

Speed n=3500 r/min

METRIC

Size	Pressure ΔP Bar	Viscosity (mm ² /s)																	
		3		6		12		20		40		75		150		380		760	
		Flow L/min	Power kW	Flow L/min	Power kW	Flow L/min	Power kW	Flow L/min	Power kW	Flow L/min	Power kW	Flow L/min	Power kW	Flow L/min	Power kW	Flow L/min	Power kW	Flow L/min	Power kW
40-38	5.0	73.1	1.50	74.2	1.50	75	1.50	75.5	1.50	75.9	1.50	76.2	1.80	76.4	2.30	76.6	3.30	76.7	4.50
	10.0	70	2.2	72	2.2	73.5	2.2	74.3	2.2	75.1	2.2	75.6	2.5	76	3	76.4	4	76.5	5.1
	15.0	67.1	2.8	70	2.8	72	2.8	73.2	2.8	74.3	2.8	75	3.1	75.6	3.6	76.1	4.6	76.4	5.7
	20.0	64.4	3.4	68.1	3.4	70.7	3.4	72.1	3.4	73.5	3.4	74.5	3.8	75.2	4.3	75.9	5.3	76.2	6.4
	25.0	61.7	4.1	66.2	4.1	69.4	4.1	71.1	4.1	72.8	4.1	73.9	4.4	74.8	4.9	75.6	5.9	76	7
	30.0	59.2	4.7	64.4	4.7	68.1	4.7	70.1	4.7	72.1	4.7	73.4	5	74.5	5.5	75.4	6.5	75.9	7.7
	35.0	56.7	5.4	62.6	5.4	66.8	5.4	69.1	5.4	71.4	5.4	72.9	5.7	74.1	6.2	75.2	7.2	75.7	8.3
	40.0	54.2	6	60.9	6	65.6	6	68.2	6	70.8	6	72.4	6.3	73.8	6.8	75	7.8	75.6	8.9
40-46	5.0	97.3	1.7	98.8	1.7	99.9	1.7	101	1.7	101	1.7	102	2.1	102	2.5	102	3.5	102	4.7
	10.0	93.1	2.6	95.8	2.6	97.8	2.6	98.9	2.6	100	2.6	101	2.9	101	3.4	102	4.4	102	5.5
	15.0	89.1	3.4	93.1	3.4	95.8	3.4	97.4	3.4	98.9	3.4	99.9	3.8	101	4.3	101	5.3	102	6.4
	20.0	85.4	4.3	90.4	4.3	94	4.3	95.9	4.3	97.9	4.3	99.1	4.6	100	5.1	101	6.1	102	7.2
	25.0	81.9	5.2	87.9	5.2	92.2	5.2	94.5	5.2	96.9	5.2	98.4	5.5	99.6	6	101	7	101	8.1
	30.0	78.4	6	85.5	6	90.5	6	93.2	6	95.9	6	97.7	6.3	99.1	6.8	100	7.8	101	8.9
	35.0	75.1	6.9	83.1	6.9	88.8	6.9	91.9	6.9	95	6.9	97	7.2	98.7	7.7	100	8.7	101	9.8
	40.0			80.7	7.7	87.1	7.7	90.6	7.7	94.1	7.7	96.4	8	98.2	8.5	99.8	9.5	101	10.7
40-54	5.0	129	2	132	2	134	2	135	2	136	2	136	2.3	137	2.8	137	3.8	137	5
	10.0	123	3.2	127	3.2	130	3.2	132	3.2	134	3.2	135	3.5	136	4	137	5	137	6.1
	15.0	116	4.3	123	4.3	127	4.3	130	4.3	132	4.3	134	4.6	135	5.1	136	6.1	137	7.3
	20.0	110	5.5	119	5.5	124	5.5	127	5.5	130	5.5	132	5.8	134	6.3	135	7.3	136	8.4
	25.0	105	6.6	114	6.6	121	6.6	125	6.6	129	6.6	131	6.9	133	7.4	135	8.4	136	9.6
	30.0			111	7.8	119	7.8	123	7.8	127	7.8	130	8.1	132	8.6	134	9.6	135	10.7
	35.0					116	8.9	121	8.9	126	8.9	129	9.2	132	9.7	134	10.7	135	11.9
	40.0					113	10.1	119	10.1	124	10.1	128	10.4	131	10.9	134	11.9	135	13
80-36	5.0	134	2.4	136	2.4	137	2.4	138	2.4	139	2.4	139	2.8	139	3.5	140	4.9	140	6.5
	10.0	129	3.6	132	3.6	135	3.6	136	3.6	137	3.6	138	4	139	4.7	139	6.1	140	7.7
	15.0	124	4.7	129	4.7	132	4.7	134	4.7	136	4.7	137	5.2	138	5.9	139	7.3	139	8.8
	20.0	120	5.9	126	5.9	130	5.9	132	5.9	135	5.9	136	6.4	137	7	138	8.4	139	10
	25.0	116	7.1	123	7.1	128	7.1	131	7.1	134	7.1	135	7.5	137	8.2	138	9.6	139	11.2
	30.0	112	8.2	120	8.2	126	8.2	129	8.2	132	8.2	135	8.7	136	9.4	138	10.8	138	12.4
	35.0	108	9.4	117	9.4	124	9.4	128	9.4	131	9.4	134	9.9	136	10.6	137	12	138	13.5
	40.0	104	10.6	114	10.6	122	10.6	126	10.6	130	10.6	133	11	135	11.7	137	13.1	138	14.7
80-42	5.0	162	2.6	164	2.6	166	2.6	167	2.6	168	2.6	169	3.1	169	3.8	170	5.2	170	6.8
	10.0	155	4.1	159	4.1	163	4.1	164	4.1	166	4.1	167	4.5	168	5.2	169	6.6	169	8.2
	15.0	148	5.5	155	5.5	159	5.5	162	5.5	164	5.5	166	5.9	167	6.6	168	8	169	9.6
	20.0	142	6.9	151	6.9	156	6.9	159	6.9	163	6.9	165	7.4	166	8.1	168	9.5	169	11
	25.0	137	8.3	146	8.3	153	8.3	157	8.3	161	8.3	164	8.8	165	9.5	167	10.9	168	12.4
	30.0	131	9.7	142	9.7	151	9.7	155	9.7	159	9.7	162	10.2	165	10.9	167	12.3	168	13.9
	35.0	125	11.2	139	11.2	148	11.2	153	11.2	158	11.2	161	11.6	164	12.3	166	13.7	167	15.3
	40.0	120	12.6	135	12.6	145	12.6	151	12.6	156	12.6	160	13	163	13.7	166	15.1	167	16.7
80-46	5.0	192	2.9	194	2.9	196	2.9	197	2.9	198	2.9	199	3.3	199	4	200	5.4	200	7
	10.0	185	4.6	189	4.6	193	4.6	194	4.6	196	4.6	197	5	198	5.7	199	7.1	199	8.7
	15.0	178	6.2	185	6.2	189	6.2	192	6.2	194	6.2	196	6.7	197	7.4	198	8.8	199	10.3
	20.0	172	7.9	181	7.9	186	7.9	190	7.9	193	7.9	195	8.4	196	9.1	198	10.5	199	12
	25.0	167	9.6	176	9.6	183	9.6	187	9.6	191	9.6	194	10	196	10.7	197	12.1	198	13.7
	30.0	161	11.2	172	11.2	181	11.2	185	11.2	190	11.2	192	11.7	195	12.4	197	13.8	198	15.4
	35.0	155	12.9	169	12.9	178	12.9	183	12.9	188	12.9	191	13.4	194	14.1	196	15.5	198	17
	40.0			165	14.6	175	14.6	181	14.6	187	14.6	190	15	193	15.7	196	17.1	197	18.7
80-54	5.0	252	3.4	256	3.4	259	3.4	260	3.4	262	3.4	263	3.9	264	4.6	264	6	265	7.5
	10.0	241	5.7	248	5.7	253	5.7	256	5.7	259	5.7	261	6.1	262	6.8	263	8.2	264	9.8
	15.0	230	7.9	241	7.9	248	7.9	252	7.9	256	7.9	259	8.3	261	9	262	10.4	263	12
	20.0	221	10.1	234	10.1	243	10.1	248	10.1	253	10.1	257	10.5	259	11.2	262	12.6	263	14.2
	25.0	211	12.3	227	12.3	238	12.3	245	12.3	251	12.3	255	12.7	258	13.4	261	14.8	262	16.4
	30.0			221	14.5	234	14.5	241	14.5	248	14.5	253	15	257	15.7	260	17.1	262	18.6
	35.0					230	16.7	238	16.7	246	16.7	251	17.2	255	17.9	259	19.3	261	20.8
	40.0					225	18.9	234	18.9	243	18.9	249	19.4	254	20.1	258	21.5	260	23
120-42	5.0	230	4.1	233	4.1	235	4.1	237	4.1	238	4.1	239	4.9	239	6.1	240	8.5	240	11.2
	10.0	221	6.1	227	6.1	231	6.1	233	6.1	235	6.1	237	6.9	238	8.1	239	10.5	240	13.2
	15.0	213	8.1	221	8.1	227	8.1	230	8.1	233	8.1	235	8.9	237	10.1	238	12.5	239	15.2
	20.0	205	10.1	215	10.1	223	10.1	227	10.1	231	10.1	234	10.9	236	12.1	238	14.5	239	17.2
	25.0	197	12.1	210	12.1	219	12.1	224	12.1	229	12.1	232	12.9	235	14.1	237	16.5	238	19.2
	30.0	190	14.2	205	14.2	215	14.2	221	14.2	227	14.2	231	14.9	234	16.1	236	18.5	238	21.2
	35.0	183	16.2	200	16.2	212	16.2	218	16.2	225	16.2	229	16.9	233	18.1	236	20.5	237	23.2
	40.0	176	18.2	195	18.2	208	18.2	216	18.2	223	18.2	228	18.9	232	20.1	235	22.5	237	25.2

Values in the blue area of the table are not recommended. Blackmer reserves the right to change the data in the table without prior notice.

U.S. STANDARD

Speed n=3500 r/min

Size	Pressure PSI	Viscosity (mm ² /s)																	
		3		6		12		20		40		75		150		380		760	
		Flow GPM	Power HP	Flow GPM	Power HP	Flow GPM	Power HP	Flow GPM	Power HP	Flow GPM	Power HP	Flow GPM	Power HP	Flow GPM	Power HP	Flow GPM	Power HP	Flow GPM	Power HP
120-46	72.5	72.44	6.03	73.29	6.03	73.89	6.03	74.24	6.03	74.55	6.03	74.76	7.11	74.95	8.58	75.11	11.80	75.19	15.42
	145	70.09	9.25	71.62	9.25	72.73	9.25	73.31	9.25	73.92	9.25	74.32	10.19	74.61	11.80	74.90	15.02	75.03	18.64
	217.5	67.90	12.34	70.09	12.34	71.65	12.34	72.47	12.34	73.31	12.34	73.87	13.41	74.32	15.02	74.71	18.24	74.90	21.86
	290	65.84	15.56	68.64	15.56	70.59	15.56	71.68	15.56	72.76	15.56	73.47	16.63	74.03	18.24	74.53	21.46	74.76	25.08
	362.5	63.86	18.77	67.24	18.77	69.62	18.77	70.91	18.77	72.20	18.77	73.08	19.85	73.74	21.46	74.34	24.67	74.63	28.16
	435	61.93	21.99	65.87	21.99	68.64	21.99	70.17	21.99	71.68	21.99	72.68	22.93	73.47	24.54	74.16	27.76	74.53	31.38
	507.5			64.52	25.08	67.72	25.08	69.43	25.08	71.17	25.08	72.31	26.15	73.21	27.76	74.00	30.98	74.40	34.60
	580			63.23	28.30	66.79	28.30	68.72	28.30	70.67	28.30	71.94	29.37	72.94	30.98	73.84	34.20	74.29	37.82
120-54	72.5	95.81	7.11	97.18	7.11	98.13	7.11	98.66	7.11	99.21	7.11	99.55	8.05	99.82	9.66	100.06	12.87	100.19	16.49
	145	92.03	11.26	94.51	11.26	96.25	11.26	97.20	11.26	98.18	11.26	98.79	12.34	99.29	13.95	99.74	17.16	99.95	20.79
	217.5	88.57	15.56	92.06	15.56	94.51	15.56	95.86	15.56	97.23	15.56	98.10	16.63	98.79	18.24	99.42	21.46	99.74	25.08
	290	85.25	19.85	89.71	19.85	92.88	19.85	94.59	19.85	96.31	19.85	97.44	20.92	98.34	22.39	99.13	25.75	99.53	29.23
	362.5	82.08	24.14	87.46	24.14	91.29	24.14	93.35	24.14	95.44	24.14	96.81	25.08	97.89	26.69	98.84	29.90	99.32	33.53
	435			85.30		88.23	32.59	91.00	32.59	93.77	32.59	95.59	33.66	97.02	35.27	98.31	38.49	98.95	41.97
	507.5					86.75	36.88	89.87	36.88	92.95	36.88	94.99	37.82	96.60	39.43	98.05	42.64	98.76	46.26
	580																		
210-40	72.5	104.25	8.98	105.23	8.98	105.92	8.98	106.29	8.98	106.66	8.98	106.92	10.59	107.10	13.01	107.29	18.10	107.37	23.60
	145	101.59	13.54	103.33	13.54	104.57	13.54	105.26	13.54	105.94	13.54	106.37	15.15	106.74	17.57	107.05	22.53	107.21	28.16
	217.5	99.11	17.97	101.59	17.97	103.36	17.97	104.31	17.97	105.26	17.97	105.89	19.71	106.39	22.13	106.81	27.09	107.05	32.72
	290	96.78	22.53	99.95	22.53	102.17	22.53	103.38	22.53	104.62	22.53	105.42	24.27	106.05	26.69	106.60	31.65	106.89	37.28
	362.5	94.51	27.09	98.34	27.09	101.06	27.09	102.51	27.09	103.99	27.09	104.97	28.70	105.73	31.25	106.42	36.21	106.76	41.84
	435	92.32	31.65	96.78	31.65	99.95	31.65	101.67	31.65	103.41	31.65	104.52	33.26	105.42	35.80	106.23	40.77	106.63	46.40
	507.5	90.18	36.21	95.28	36.21	98.89	36.21	100.85	36.21	102.83	36.21	104.10	37.82	105.12	40.36	106.02	45.33	106.47	50.96
	580	88.10	40.77	93.80	40.77	97.84	40.77	100.03	40.77	102.25	40.77	103.67	42.38	104.83	44.92	105.84	49.89	106.37	55.52
210-46	72.5	130.55	10.06	131.89	10.06	132.82	10.06	133.35	10.06	133.85	10.06	134.19	11.67	134.46	14.21	134.69	19.18	134.80	24.81
	145	126.90	15.82	129.31	15.82	131.00	15.82	131.92	15.82	132.84	15.82	133.45	17.43	133.93	19.85	134.38	24.94	134.59	30.57
	217.5	123.55	21.59	126.93	21.59	129.31	21.59	130.63	21.59	131.92	21.59	132.79	23.20	133.45	25.61	134.06	30.57	134.38	36.21
	290	120.33	27.22	124.66	27.22	127.72	27.22	129.39	27.22	131.05	27.22	132.16	28.83	133.00	31.38	133.80	36.34	134.16	41.97
	362.5	117.27	32.99	122.50	32.99	126.19	32.99	128.20	32.99	130.20	32.99	131.52	34.60	132.58	37.01	133.50	42.11	133.98	47.61
	435	114.29	38.62	120.38	38.62	124.69	38.62	127.04	38.62	129.39	38.62	130.94	40.36	132.16	42.78	133.24	47.74	133.80	53.37
	507.5	111.36	44.39	118.30	44.39	123.24	44.39	125.90	44.39	128.59	44.39	130.34	46.00	131.74	48.54	132.98	53.51	133.61	59.14
	580			116.29	50.15	121.81	50.15	124.79	50.15	127.80	50.15	129.78	51.76	131.34	54.18	132.74	59.27	133.43	64.77
210-54	72.5	172.87	11.93	174.98	11.93	176.48	11.93	177.30	11.93	178.15	11.93	178.68	13.68	179.10	16.09	179.49	21.05	179.68	26.69
	145	167.03	19.58	170.86	19.58	173.58	19.58	175.06	19.58	176.54	19.58	177.51	21.19	178.28	23.74	178.97	28.70	179.31	34.33
	217.5	161.65	27.22	167.06	27.22	170.89	27.22	172.97	27.22	175.06	27.22	176.43	28.83	177.51	31.38	178.49	36.34	178.97	41.97
	290	156.53	34.87	163.44	34.87	168.33	34.87	170.99	34.87	173.66	34.87	175.40	36.48	176.80	39.02	178.04	43.98	178.65	49.62
	362.5	151.59	42.51	159.96	42.51	165.87	42.51	169.07	42.51	172.31	42.51	174.42	44.12	176.09	46.53	177.59	51.63	178.33	57.26
	435			156.58	50.15	163.47	50.15	167.22	50.15	170.99	50.15	173.47	51.76	175.43	54.18	177.17	59.27	178.04	64.77
	507.5					161.15	57.80	165.42	57.80	169.73	57.80	172.52	59.41	174.77	61.82	176.75	66.92	177.75	72.41
	580					158.85	65.31	163.65	65.31	168.48	65.31	171.63	67.05	174.11	69.46	176.35	74.43	177.46	80.06
280-43	72.5	152.30	13.28	153.91	13.28	155.05	13.28	155.68	13.28	156.29	13.28	156.71	15.82	157.03	19.58	157.27	27.09	157.45	35.67
	145	147.89	19.98	150.80	19.98	152.86	19.98	153.96	19.98	155.07	19.98	155.81	22.39	156.39	26.28	156.92	33.79	157.19	42.24
	217.5	143.83	26.69	147.92	26.69	150.82	26.69	152.38	26.69	153.96	26.69	154.99	29.10	155.81	32.85	156.55	40.50	156.92	48.95
	290	139.95	33.39	145.17	33.39	148.87	33.39	150.88	33.39	152.91	33.39	154.23	35.80	155.28	39.56	156.21	47.20	156.68	55.65
	362.5	136.22	40.10	142.53	40.10	147.02	40.10	149.45	40.10	151.88	40.10	153.49	42.51	154.76	46.26	155.89	53.91	156.45	62.36
	435	132.61	46.67	140.00	46.67	145.20	46.67	148.05	46.67	150.90	46.67	152.75	49.21	154.23	52.97	155.55	60.61	156.21	69.06
	507.5	129.10	53.37	137.49	53.37	143.43	53.37	146.68	53.37	149.93	53.37	152.06	55.79	153.73	59.67	155.26	67.18	156.00	75.77
	580	125.64	60.08	135.06	60.08	141.72	60.08	145.33	60.08	149.00	60.08	151.38	62.49	153.25	66.25	154.94	73.89	155.79	82.34
280-46	72.5	173.16	14.21	174.77	14.21	175.90	14.21	176.51	14.21	177.14	14.21	177.54	16.63	177.86	20.38	178.15	28.03	178.31	36.48
	145	168.75	21.72	171.63	21.72	173.69	21.72	174.79	21.72	175.93	21.72	176.67	24.27	177.25	28.03	177.75	35.54	178.02	44.12
	217.5	164.66	29.37	168.75	29.37	171.65	29.37	173.24	29.37	174.82	29.37	175.85	31.78	176.67	35.54	177.41	43.18	177.75	51.63
	290	160.80	36.88	166.03	36.88	169.73	36.88	171.73	36.88	173.76	36.88	175.06	39.29	176.11	43.05	177.06	50.69	177.51	59.14
	362.5	157.08	44.39	163.39	44.39	167.85	44.39	170.28	44.39	172.74	44.39	174.32	46.94	175.59	50.69	176.72	58.33	177.28	66.78
	435	153.46	52.03	160.83	52.03	166.06	52.03	168.88	52.03	171.73	52.03	173.61	54.44	175.08	58.20	176.40	65.84	177.06	74.29
	507.5	149.93	59.54	158.35	59.54	164.29	59.54	167.51	59.54	170.78	59.54	172.89	62.09	174.58	65.84	176.09	73.35	176.83	81.94
	580			155.89	67.18	162.54	67.18	166.19	67.18	169.83	67.18	172.21	69.60	174.08	73.35	175.77	81.00	176.62	89.44
280-54	72.5	229.39	16.76	231.98	16.76	233.80	16.76	234.78	16.76	235.78	16.76	236.44	19.18	236.94	22.93	237.42	30.57	237.63	39.02
	145	222.34	26.82	226.99	26.82	230.26	26.82	232.06	26.82	233.85	26.82	235.01	29.23	235.94	32.99	236.78	40.63	237.18	49.08
	217.5	215.82	36.88	222.37	36.88	227.01	36.88	229.52	36.88	232.06	36.88	233.72	39.29	235.01	43.05	236.20	50.69	236.78	59.14

Speed n=3500 r/min

METRIC

Size	Pressure ΔP Bar	Viscosity (mm ² /s)																	
		3		6		12		20		40		75		150		380		760	
		Flow L/min	Power kW	Flow L/min	Power kW	Flow L/min	Power kW	Flow L/min	Power kW	Flow L/min	Power kW	Flow L/min	Power kW	Flow L/min	Power kW	Flow L/min	Power kW	Flow L/min	Power kW
120-46	5.0	274	4.5	277	4.5	280	4.5	281	4.5	282	4.5	283	5.3	284	6.4	284	8.8	284	11.5
	10.0	265	6.9	271	6.9	275	6.9	278	6.9	280	6.9	281	7.6	282	8.8	284	11.2	284	13.9
	15.0	257	9.2	265	9.2	271	9.2	274	9.2	278	9.2	280	10	281	11.2	283	13.6	284	16.3
	20.0	249	11.6	260	11.6	267	11.6	271	11.6	275	11.6	278	12.4	280	13.6	282	16	283	18.7
	25.0	242	14	255	14	264	14	268	14	273	14	277	14.8	279	16	281	18.4	283	21
	30.0	234	16.4	249	16.4	260	16.4	266	16.4	271	16.4	275	17.1	278	18.3	281	20.7	282	23.4
	35.0			244	18.7	256	18.7	263	18.7	269	18.7	274	19.5	277	20.7	280	23.1	282	25.8
	40.0			239	21.1	253	21.1	260	21.1	268	21.1	272	21.9	276	23.1	280	25.5	281	28.2
120-54	5.0	363	5.3	368	5.3	371	5.3	373	5.3	376	5.3	377	6	378	7.2	379	9.6	379	12.3
	10.0	348	8.4	358	8.4	364	8.4	368	8.4	372	8.4	374	9.2	376	10.4	378	12.8	378	15.5
	15.0	335	11.6	348	11.6	358	11.6	363	11.6	368	11.6	371	12.4	374	13.6	376	16	378	18.7
	20.0	323	14.8	340	14.8	352	14.8	358	14.8	365	14.8	369	15.6	372	16.7	375	19.2	377	21.8
	25.0	311	18	331	18	346	18	353	18	361	18	366	18.7	371	19.9	374	22.3	376	25
	30.0			323	21.1	340	21.1	349	21.1	358	21.1	364	21.9	369	23.1	373	25.5	375	28.2
	35.0					334	24.3	344	24.3	355	24.3	362	25.1	367	26.3	372	28.7	375	31.3
	40.0					328	27.5	340	27.5	352	27.5	360	28.2	366	29.4	371	31.8	374	34.5
210-40	5.0	395	6.7	398	6.7	401	6.7	402	6.7	404	6.7	405	7.9	405	9.7	406	13.5	406	17.6
	10.0	385	10.1	391	10.1	396	10.1	398	10.1	401	10.1	403	11.3	404	13.1	405	16.8	406	21
	15.0	375	13.4	385	13.4	391	13.4	395	13.4	398	13.4	401	14.7	403	16.5	404	20.2	405	24.4
	20.0	366	16.8	378	16.8	387	16.8	391	16.8	396	16.8	399	18.1	401	19.9	404	23.6	405	27.8
	25.0	358	20.2	372	20.2	383	20.2	388	20.2	394	20.2	397	21.4	400	23.3	403	27	404	31.2
	30.0	349	23.6	366	23.6	378	23.6	385	23.6	391	23.6	396	24.8	399	26.7	402	30.4	404	34.6
	35.0	341	27	361	27	374	27	382	27	389	27	394	28.2	398	30.1	401	33.8	403	38
	40.0	333	30.4	355	30.4	370	30.4	379	30.4	387	30.4	392	31.6	397	33.5	401	37.2	403	41.4
210-46	5.0	494	7.5	499	7.5	503	7.5	505	7.5	507	7.5	508	8.7	509	10.6	510	14.3	510	18.5
	10.0	480	11.8	489	11.8	496	11.8	499	11.8	503	11.8	505	13	507	14.8	509	18.6	509	22.8
	15.0	468	16.1	480	16.1	489	16.1	494	16.1	499	16.1	503	17.3	505	19.1	507	22.8	509	27
	20.0	456	20.3	472	20.3	483	20.3	490	20.3	496	20.3	500	21.5	503	23.4	506	27.1	508	31.3
	25.0	444	24.6	464	24.6	478	24.6	485	24.6	493	24.6	498	25.8	502	27.6	505	31.4	507	35.5
	30.0	433	28.8	456	28.8	472	28.8	481	28.8	490	28.8	496	30.1	500	31.9	504	35.6	506	39.8
	35.0	422	33.1	448	33.1	466	33.1	477	33.1	487	33.1	493	34.3	499	36.2	503	39.9	506	44.1
	40.0			440	37.4	461	37.4	472	37.4	484	37.4	491	38.6	497	40.4	502	44.2	505	48.3
210-54	5.0	654	8.9	662	8.9	668	8.9	671	8.9	674	8.9	676	10.2	678	12	679	15.7	680	19.9
	10.0	632	14.6	647	14.6	657	14.6	663	14.6	668	14.6	672	15.8	675	17.7	677	21.4	679	25.6
	15.0	612	20.3	632	20.3	647	20.3	655	20.3	663	20.3	668	21.5	672	23.4	676	27.1	677	31.3
	20.0	593	26	619	26	637	26	647	26	657	26	664	27.2	669	29.1	674	32.8	676	37
	25.0	574	31.7	606	31.7	628	31.7	640	31.7	652	31.7	660	32.9	667	34.7	672	38.5	675	42.7
	30.0			593	37.4	619	37.4	633	37.4	647	37.4	657	38.6	664	40.4	671	44.2	674	48.3
	35.0					610	43.1	626	43.1	642	43.1	653	44.3	662	46.1	669	49.9	673	54
	40.0					601	48.7	619	48.7	638	48.7	650	50	659	51.8	668	55.5	672	59.7
280-43	5.0	577	9.9	583	9.9	587	9.9	589	9.9	592	9.9	593	11.8	594	14.6	596	20.2	596	26.6
	10.0	560	14.9	571	14.9	579	14.9	583	14.9	587	14.9	590	16.7	592	19.6	594	25.2	595	31.5
	15.0	544	19.9	560	19.9	571	19.9	577	19.9	583	19.9	587	21.7	590	24.5	593	30.2	594	36.5
	20.0	530	24.9	550	24.9	564	24.9	571	24.9	579	24.9	584	26.7	588	29.5	591	35.2	593	41.5
	25.0	516	29.9	540	29.9	557	29.9	566	29.9	575	29.9	581	31.7	586	34.5	590	40.2	592	46.5
	30.0	502	34.8	530	34.8	550	34.8	560	34.8	571	34.8	578	36.7	584	39.5	589	45.2	591	51.5
	35.0	489	39.8	520	39.8	543	39.8	555	39.8	568	39.8	576	41.6	582	44.5	588	50.1	591	56.5
	40.0	476	44.8	511	44.8	536	44.8	550	44.8	564	44.8	573	46.6	580	49.4	587	55.1	590	61.4
280-46	5.0	655	10.6	662	10.6	666	10.6	668	10.6	671	10.6	672	12.4	673	15.2	674	20.9	675	27.2
	10.0	639	16.2	650	16.2	657	16.2	662	16.2	666	16.2	669	18.1	671	20.9	673	26.5	674	32.9
	15.0	623	21.9	639	21.9	650	21.9	656	21.9	662	21.9	666	23.7	669	26.5	672	32.2	673	38.5
	20.0	609	27.5	628	27.5	642	27.5	650	27.5	658	27.5	663	29.3	667	32.1	670	37.8	672	44.1
	25.0	595	33.1	618	33.1	635	33.1	645	33.1	654	33.1	660	35	665	37.8	669	43.5	671	49.8
	30.0	581	38.8	609	38.8	629	38.8	639	38.8	650	38.8	657	40.6	663	43.4	668	49.1	670	55.4
	35.0	568	44.4	599	44.4	622	44.4	634	44.4	646	44.4	654	46.3	661	49.1	667	54.7	669	61.1
	40.0			590	50.1	615	50.1	629	50.1	643	50.1	652	51.9	659	54.7	665	60.4	669	66.7
280-54	5.0	868	12.5	878	12.5	885	12.5	889	12.5	893	12.5	895	14.3	897	17.1	899	22.8	900	29.1
	10.0	842	20	859	20	872	20	878	20	885	20	890	21.8	893	24.6	896	30.3	898	36.6
	15.0	817	27.5	842	27.5	859	27.5	869	27.5	878	27.5	885	29.3	890	32.1	894	37.8	896	44.1
	20.0	794	35	825	35	848	35	860	35	872	35	880	36.9	886	39.7	892	45.3	895	51.7
	25.0	771	42.5	809	42.5	836	42.5	851	42.5	866	42.5	876	44.4	883	47.2	890	52.9	893	59.2
	30.0			794	50.1	825	50.1	843	50.1	860	50.1	871	51.9	880	54.7	888	60.4	892	66.7
	35.0					815	57.6	834	57.6	854	57.6	867	59.4	877	62.2	886	67.9	891	74.2
	40.0					804	65.1	826	65.1	848	65.1	863	66.9	874	69.7	884	75.4	889	81.7

Values in the blue area of the table are not recommended. Blackmer reserves the right to change the data in the table without prior notice.

U.S. STANDARD

Speed n=3500 r/min

Size	Pressure PSI	Viscosity (mm ² /s)																	
		3		6		12		20		40		75		150		380		760	
		Flow GPM	Power HP	Flow GPM	Power HP	Flow GPM	Power HP	Flow GPM	Power HP	Flow GPM	Power HP	Flow GPM	Power HP	Flow GPM	Power HP	Flow GPM	Power HP	Flow GPM	Power HP
440-40	72.5	217.27	19.18	218.91	19.18	220.07	19.18	220.70	19.18	221.34	19.18	221.76	22.80	222.08	28.30	222.39	39.56	222.53	52.03
	145	212.76	28.70	215.71	28.70	217.83	28.70	218.96	28.70	220.10	28.70	220.86	32.18	221.44	37.82	221.97	48.95	222.24	61.42
	217.5	208.59	38.08	212.76	38.08	215.74	38.08	217.35	38.08	218.96	38.08	220.02	41.71	220.86	47.20	221.60	58.47	222.00	70.94
	290	204.60	47.47	209.96	47.47	213.76	47.47	215.82	47.47	217.88	47.47	219.23	51.09	220.31	56.59	221.26	67.85	221.73	80.33
	362.5	200.80	56.99	207.27	56.99	211.83	56.99	214.34	56.99	216.82	56.99	218.46	60.61	219.75	66.11	220.92	77.24	221.50	89.71
	435	197.10	66.38	204.65	66.38	209.99	66.38	212.89	66.38	215.82	66.38	217.72	70.00	219.23	75.50	220.60	86.76	221.26	99.23
	507.5	193.49	75.77	202.09	75.77	208.19	75.77	211.49	75.77	214.84	75.77	217.01	79.39	218.72	85.02	220.28	96.15	221.05	108.62
	580	189.95	85.29	199.58	85.29	206.42	85.29	210.12	85.29	213.87	85.29	216.30	88.91	218.22	94.41	219.96	105.54	220.81	118.01
440-46	72.5	275.99	21.72	278.23	21.72	279.84	21.72	280.68	21.72	281.56	21.72	282.14	25.34	282.59	30.98	282.98	42.11	283.19	54.58
	145	269.81	33.79	273.87	33.79	276.75	33.79	278.31	33.79	279.87	33.79	280.90	37.41	281.71	42.91	282.43	54.18	282.80	66.65
	217.5	264.11	45.73	269.83	45.73	273.90	45.73	276.09	45.73	278.31	45.73	279.76	49.35	280.90	54.98	281.93	66.11	282.45	78.58
	290	258.69	57.80	266.01	57.80	271.18	57.80	274.01	57.80	276.83	57.80	278.68	61.42	280.13	66.92	281.45	78.18	282.11	90.65
	362.5	253.47	69.87	262.31	69.87	268.57	69.87	271.97	69.87	275.40	69.87	277.62	73.35	279.39	78.98	281.00	90.12	281.77	102.59
	435	248.40	81.80	258.75	81.80	266.03	81.80	270.02	81.80	274.01	81.80	276.62	85.42	278.68	90.92	280.53	102.18	281.45	114.66
	507.5	243.46	93.87	255.24	93.87	263.58	93.87	268.09	93.87	272.66	93.87	275.64	97.49	277.99	102.99	280.10	114.12	281.13	126.59
	580			251.83	105.80	261.15	105.80	266.24	105.80	271.34	105.80	274.67	109.43	277.31	114.92	279.68	126.19	280.84	138.66
440-52	72.5	322.03	23.87	325.64	23.87	328.18	23.87	329.58	23.87	330.95	23.87	331.87	27.49	332.59	33.12	333.25	44.25	333.56	56.72
	145	312.18	38.08	318.67	38.08	323.24	38.08	325.75	38.08	328.26	38.08	329.89	41.71	331.19	47.20	332.35	58.47	332.93	70.94
	217.5	303.07	52.16	312.23	52.16	318.70	52.16	322.21	52.16	325.78	52.16	328.07	55.79	329.89	61.42	331.56	72.55	332.38	85.02
	290	294.41	66.38	306.11	66.38	314.37	66.38	318.86	66.38	323.40	66.38	326.33	70.00	328.68	75.50	330.79	86.76	331.82	99.23
	362.5	286.07	80.46	300.19	80.46	310.20	80.46	315.64	80.46	321.10	80.46	324.67	84.08	327.49	89.71	330.03	100.84	331.29	113.31
	435			294.49	94.67	306.16	94.67	312.50	94.67	318.89	94.67	323.06	98.30	326.36	103.79	329.31	115.06	330.79	127.53
	507.5			288.90	108.89	302.20	108.89	309.43	108.89	316.75	108.89	321.47	112.38	325.25	118.01	328.63	129.14	330.29	141.61
	580					298.35	122.97	306.45	122.97	314.61	122.97	319.94	126.59	324.14	132.09	327.94	143.35	329.82	155.82
440-54	72.5	360.54	25.61	364.14	25.61	366.67	25.61	368.07	25.61	369.47	25.61	370.37	29.10	371.08	34.73	371.74	45.86	372.06	58.33
	145	350.67	41.30	357.17	41.30	361.76	41.30	364.24	41.30	366.75	41.30	368.39	44.92	369.71	50.42	370.87	61.69	371.42	74.16
	217.5	341.56	57.13	350.72	57.13	357.19	57.13	360.73	57.13	364.27	57.13	366.56	60.75	368.41	66.25	370.05	77.51	370.87	89.98
	290	332.90	72.95	344.60	72.95	352.86	72.95	357.35	72.95	361.89	72.95	364.85	76.44	367.17	82.07	369.28	93.20	370.31	105.67
	362.5	324.56	88.64	338.69	88.64	348.69	88.64	354.13	88.64	359.62	88.64	363.18	92.26	366.01	97.76	368.54	109.02	369.78	121.49
	435			332.98	104.46	344.65	104.46	350.99	104.46	357.40	104.46	361.55	108.08	364.85	113.58	367.83	124.85	369.28	137.32
	507.5					340.69	120.29	347.95	120.29	355.24	120.29	359.99	123.91	363.74	129.41	367.12	140.54	368.78	153.01
	580					336.84	135.98	344.94	135.98	353.13	135.98	358.43	139.60	362.66	145.23	366.43	156.36	368.31	168.83
660-40	72.5	336.52	28.56	338.74	28.56	340.30	28.56	341.14	28.56	341.99	28.56	342.54	33.79	342.99	41.84	343.38	52.93	343.57	75.90
	145	330.50	43.18	334.46	43.18	337.29	43.18	338.79	43.18	340.35	43.18	341.33	48.41	342.12	56.32	342.83	72.41	343.20	90.38
	217.5	324.93	57.80	330.53	57.80	334.49	57.80	336.65	57.80	338.82	57.80	340.22	62.89	341.35	70.94	342.36	87.03	342.86	105.00
	290	319.62	72.28	326.78	72.28	331.85	72.28	334.59	72.28	337.37	72.28	339.16	77.51	340.59	85.42	341.88	101.65	342.51	119.62
	362.5	314.53	86.90	323.19	86.90	329.29	86.90	332.61	86.90	335.97	86.90	338.13	92.13	339.87	100.04	341.43	116.13	342.20	134.10
	435	309.59	101.38	319.68	101.38	326.81	101.38	330.71	101.38	334.62	101.38	337.15	106.61	339.16	114.66	340.98	130.75	341.88	148.72
	507.5	304.76	116.00	316.27	116.00	324.40	116.00	328.84	116.00	333.30	116.00	336.18	121.23	338.50	129.14	340.56	145.23	341.59	163.20
	580	300.04	130.61	312.92	130.61	322.05	130.61	326.99	130.61	332.01	130.61	335.25	135.71	337.81	143.76	340.14	159.85	341.27	177.82
660-44	72.5	381.40	30.71	384.41	30.71	386.55	30.71	387.71	30.71	388.87	30.71	389.64	35.80	390.22	43.85	390.77	59.94	391.04	77.91
	145	373.14	47.20	378.58	47.20	382.40	47.20	384.52	47.20	386.60	47.20	387.97	52.43	389.06	60.35	390.03	76.57	390.51	94.41
	217.5	365.53	63.83	373.19	63.83	378.60	63.83	381.56	63.83	384.52	63.83	386.44	69.06	387.97	76.97	389.35	93.07	390.03	111.03
	290	358.27	80.33	368.07	80.33	374.99	80.33	378.73	80.33	382.54	80.33	384.99	85.56	386.97	93.60	388.71	109.69	389.58	127.66
	362.5	351.30	96.95	363.13	96.95	371.50	96.95	376.04	96.95	380.64	96.95	383.62	102.18	385.97	110.10	388.11	126.19	389.14	144.16
	435	344.52	113.58	358.35	113.58	368.10	113.58	373.43	113.58	378.76	113.58	382.25	118.68	385.02	126.72	387.50	142.82	388.71	160.79
	507.5			353.68	130.08	364.80	130.08	370.87	130.08	376.97	130.08	380.93	135.31	384.09	143.35	386.92	159.44	388.32	177.41
	580			349.11	146.71	361.57	146.71	368.36	146.71	375.20	146.71	379.63	151.94	383.17	159.85	386.34	175.94	387.90	193.91
660-46	72.5	413.16	32.05	416.17	32.05	418.31	32.05	419.47	32.05	420.63	32.05	421.40	37.15	421.98	45.19	422.53	61.28	422.80	79.25
	145	404.90	49.89	410.34	49.89	414.16	49.89	416.28	49.89	418.36	49.89	419.73	55.12	420.82	63.03	421.79	79.25	422.27	97.09
	217.5	397.29	67.85	404.95	67.85	410.36	67.85	413.32	67.85	416.28	67.85	418.20	73.08	419.73	81.00	421.11	97.09	421.79	115.06
	290	390.03	85.82	399.83	85.82	406.74	85.82	410.49	85.82	414.30	85.82	416.75	90.92	418.70	98.97	420.47	115.06	421.34	133.03
	362.5	383.06	103.66	394.89	103.66	403.26	103.66	407.80	103.66	412.37	103.66	415.35	108.89	417.73	116.80	419.84	133.03	420.90	150.86
	435	376.28	121.63	390.09	121.63	399.85	121.63	405.19	121.63	410.52	121.63	414.00	126.86	416.78	134.77	419.26	150.86	420.47	168.83
	507.5			385.44	139.60	396.55	139.60	402.63	139.60	408.72	139.60	412.68	144.69	415.83	152.74	418.65	168.83	420.05	186.80
	580			380.87	157.43	393.33	157.43	400.12	157.43	406.96	157.43	411.39	162.66	414.93	170.58	418.10	186.80	419.65	204.64
940-42	72.5	489.14	41.44	493.02	41.44	495.79	41.44	497.27	41.44	498.78	41.44	499.75	48.81	500.54	60.35	501.23	83.41	501.60	109.16
	145	478.47	62.76	485.50	62.76	490.46													

Speed n=3500 r/min

METRIC

Size	Pressure ΔP Bar	Viscosity (mm ² /s)																	
		3		6		12		20		40		75		150		380		760	
		Flow L/min	Power kW	Flow L/min	Power kW	Flow L/min	Power kW	Flow L/min	Power kW	Flow L/min	Power kW	Flow L/min	Power kW	Flow L/min	Power kW	Flow L/min	Power kW	Flow L/min	Power kW
440-40	5.0	822	14.3	829	14.3	833	14.3	835	14.3	838	14.3	839	17	841	21.1	842	29.5	842	38.8
	10.0	805	21.4	817	21.4	825	21.4	829	21.4	833	21.4	836	24	838	28.2	840	36.5	841	45.8
	15.0	790	28.4	805	28.4	817	28.4	823	28.4	829	28.4	833	31.1	836	35.2	839	43.6	840	52.9
	20.0	774	35.4	795	35.4	809	35.4	817	35.4	825	35.4	830	38.1	834	42.2	838	50.6	839	59.9
	25.0	760	42.5	785	42.5	802	42.5	811	42.5	821	42.5	827	45.2	832	49.3	836	57.6	838	66.9
	30.0	746	49.5	775	49.5	795	49.5	806	49.5	817	49.5	824	52.2	830	56.3	835	64.7	838	74
	35.0	732	56.5	765	56.5	788	56.5	801	56.5	813	56.5	821	59.2	828	63.4	834	71.7	837	81
	40.0	719	63.6	756	63.6	781	63.6	795	63.6	810	63.6	819	66.3	826	70.4	833	78.7	836	88
440-46	5.0	1045	16.2	1053	16.2	1059	16.2	1063	16.2	1066	16.2	1068	18.9	1070	23.1	1071	31.4	1072	40.7
	10.0	1021	25.2	1037	25.2	1048	25.2	1054	25.2	1059	25.2	1063	27.9	1066	32	1069	40.4	1071	49.7
	15.0	1000	34.1	1021	34.1	1037	34.1	1045	34.1	1054	34.1	1059	36.8	1063	41	1067	49.3	1069	58.6
	20.0	979	43.1	1007	43.1	1027	43.1	1037	43.1	1048	43.1	1055	45.8	1060	49.9	1065	58.3	1068	67.6
	25.0	959	52.1	993	52.1	1017	52.1	1030	52.1	1043	52.1	1051	54.7	1058	58.9	1064	67.2	1067	76.5
	30.0	940	61	979	61	1007	61	1022	61	1037	61	1047	63.7	1055	67.8	1062	76.2	1065	85.5
	35.0	922	70	966	70	998	70	1015	70	1032	70	1043	72.7	1052	76.8	1060	85.1	1064	94.4
	40.0			953	78.9	989	78.9	1008	78.9	1027	78.9	1040	81.6	1050	85.7	1059	94.1	1063	103
440-52	5.0	1219	17.8	1233	17.8	1242	17.8	1248	17.8	1253	17.8	1256	20.5	1259	24.7	1261	33	1263	42.3
	10.0	1182	28.4	1206	28.4	1224	28.4	1233	28.4	1243	28.4	1249	31.1	1254	35.2	1258	43.6	1260	52.9
	15.0	1147	38.9	1182	38.9	1206	38.9	1220	38.9	1233	38.9	1242	41.6	1249	45.8	1255	54.1	1258	63.4
	20.0	1114	49.5	1159	49.5	1190	49.5	1207	49.5	1224	49.5	1235	52.2	1244	56.3	1252	64.7	1256	74
	25.0	1083	60	1136	60	1174	60	1195	60	1216	60	1229	62.7	1240	66.9	1249	75.2	1254	84.5
	30.0			1115	70.6	1159	70.6	1183	70.6	1207	70.6	1223	73.3	1235	77.4	1247	85.8	1252	95.1
	35.0			1094	81.2	1144	81.2	1171	81.2	1199	81.2	1217	83.8	1231	88	1244	96.3	1250	106
	40.0					1129	91.7	1160	91.7	1191	91.7	1211	94.4	1227	98.5	1241	107	1248	116
440-54	5.0	1365	19.1	1378	19.1	1388	19.1	1393	19.1	1399	19.1	1402	21.7	1405	25.9	1407	34.2	1408	43.5
	10.0	1327	30.8	1352	30.8	1369	30.8	1379	30.8	1388	30.8	1394	33.5	1399	37.6	1404	46	1406	55.3
	15.0	1293	42.6	1328	42.6	1352	42.6	1366	42.6	1379	42.6	1388	45.3	1395	49.4	1401	57.8	1404	67.1
	20.0	1260	54.4	1304	54.4	1336	54.4	1353	54.4	1370	54.4	1381	57	1390	61.2	1398	69.5	1402	78.8
	25.0	1229	66.1	1282	66.1	1320	66.1	1341	66.1	1361	66.1	1375	68.8	1385	72.9	1395	81.3	1400	90.6
	30.0			1260	77.9	1305	77.9	1329	77.9	1353	77.9	1369	80.6	1381	84.7	1392	93.1	1398	102
	35.0					1290	89.7	1317	89.7	1345	89.7	1363	92.4	1377	96.5	1390	105	1396	114
	40.0					1275	101	1306	101	1337	101	1357	104	1373	108	1387	117	1394	126
660-40	5.0	1274	21.3	1282	21.3	1288	21.3	1291	21.3	1295	21.3	1297	25.2	1298	31.2	1300	43.2	1301	56.6
	10.0	1251	32.2	1266	32.2	1277	32.2	1282	32.2	1288	32.2	1292	36.1	1295	42	1298	54	1299	67.4
	15.0	1230	43.1	1251	43.1	1266	43.1	1274	43.1	1283	43.1	1288	46.9	1292	52.9	1296	64.9	1298	78.3
	20.0	1210	53.9	1237	53.9	1256	53.9	1267	53.9	1277	53.9	1284	57.8	1289	63.7	1294	75.8	1297	89.2
	25.0	1191	64.8	1223	64.8	1246	64.8	1269	64.8	1272	64.8	1280	68.7	1287	74.6	1292	86.6	1295	100
	30.0	1172	75.6	1210	75.6	1237	75.6	1252	75.6	1267	75.6	1276	79.5	1284	85.5	1291	97.5	1294	111
	35.0	1154	86.5	1197	86.5	1228	86.5	1245	86.5	1262	86.5	1273	90.4	1281	96.3	1289	108	1293	122
	40.0	1136	97.4	1185	97.4	1219	97.4	1238	97.4	1257	97.4	1269	101	1279	107	1288	119	1292	133
660-44	5.0	1444	22.9	1455	22.9	1463	22.9	1468	22.9	1472	22.9	1475	26.7	1477	32.7	1479	44.7	1480	58.1
	10.0	1412	35.2	1433	35.2	1448	35.2	1456	35.2	1463	35.2	1469	39.1	1473	45	1476	57.1	1478	70.4
	15.0	1384	47.6	1413	47.6	1433	47.6	1444	47.6	1456	47.6	1463	51.5	1469	57.4	1474	69.4	1476	82.8
	20.0	1356	59.9	1393	59.9	1419	59.9	1434	59.9	1448	59.9	1457	63.8	1465	69.8	1471	81.8	1475	95.2
	25.0	1330	72.3	1375	72.3	1406	72.3	1423	72.3	1441	72.3	1452	76.2	1461	82.1	1469	94.1	1473	107
	30.0	1304	84.7	1357	84.7	1393	84.7	1414	84.7	1434	84.7	1447	88.5	1457	94.5	1467	106	1471	120
	35.0			1339	97	1381	97	1404	97	1427	97	1442	101	1454	107	1465	119	1470	132
	40.0			1322	109	1369	109	1394	109	1420	109	1437	113	1450	119	1462	131	1468	145
660-46	5.0	1564	23.9	1575	23.9	1583	23.9	1588	23.9	1592	23.9	1595	27.7	1597	33.7	1599	45.7	1600	59.1
	10.0	1533	37.2	1553	37.2	1568	37.2	1576	37.2	1584	37.2	1589	41.1	1593	47	1597	59.1	1598	72.4
	15.0	1504	50.6	1533	50.6	1553	50.6	1565	50.6	1576	50.6	1583	54.5	1589	60.4	1594	72.4	1597	85.8
	20.0	1476	64	1514	64	1540	64	1554	64	1568	64	1578	67.8	1585	73.8	1592	85.8	1595	99.2
	25.0	1450	77.3	1495	77.3	1527	77.3	1544	77.3	1561	77.3	1572	81.2	1581	87.1	1589	99.2	1593	112
	30.0	1424	90.7	1477	90.7	1514	90.7	1534	90.7	1554	90.7	1567	94.6	1578	100	1587	112	1592	126
	35.0			1459	104	1501	104	1524	104	1547	104	1562	108	1574	114	1585	126	1590	139
	40.0			1442	117	1489	117	1515	117	1540	117	1557	121	1571	127	1583	139	1589	153
940-42	5.0	1852	30.9	1866	30.9	1877	30.9	1882	30.9	1888	30.9	1892	36.4	1895	45	1897	62.2	1899	81.4
	10.0	1811	46.8	1838	46.8	1857	46.8	1867	46.8	1877	46.8	1884	52.3	1889	60.8	1894	78.1	1896	97.2
	15.0	1774	62.6	1811	62.6	1838	62.6	1852	62.6	1867	62.6	1876	68.2	1884	76.7	1890	93.9	1894	113
	20.0	1738	78.5	1786	78.5	1820	78.5	1839	78.5	1857	78.5	1869	84	1879	92.5	1887	110	1892	129
	25.0	1704	94.3	1762	94.3	1803	94.3	1825	94.3	1848	94.3	1862	99.9	1874	108	1884	126	1889	145
	30.0	1671	110	1739	110	1787	110	1813	110	1839	110	1856	116	1869	124	1881	141	1887	161
	35.0	1639	126	1716	126	1770	126	1800	126	1830	126	1849	132	1865	140	1878	157	1885	176
	40.0			1694	142	1755	142	1788	142	1821	142	1843	147	1860	156	1876	173	1883	192

Values in the blue area of the table are not recommended. Blackmer reserves the right to change the data in the table without prior notice.

U.S. STANDARD
Speed n=3500 r/min

Size	Pressure PSI	Viscosity (mm ² /s)																	
		3		6		12		20		40		75		150		380		760	
		Flow GPM	Power HP	Flow GPM	Power HP	Flow GPM	Power HP	Flow GPM	Power HP	Flow GPM	Power HP	Flow GPM	Power HP	Flow GPM	Power HP	Flow GPM	Power HP	Flow GPM	Power HP
940-46	72.5	589.62	45.73	593.52	45.73	596.27	45.73	597.75	45.73	599.28	45.73	600.26	53.10	601.02	64.50	601.74	87.70	602.08	113.45
	145	578.95	71.21	585.97	71.21	590.94	71.21	593.63	71.21	596.35	71.21	598.12	78.58	599.52	90.12	600.78	113.18	601.39	138.93
	217.5	569.10	96.69	579.00	96.69	586.00	96.69	589.83	96.69	593.66	96.69	596.14	104.20	598.12	115.59	599.91	138.66	600.78	164.41
	290	559.73	122.30	572.38	122.30	581.33	122.30	586.19	122.30	591.10	122.30	594.26	129.67	596.80	141.07	599.07	164.27	600.20	189.89
	362.5	550.73	147.78	566.02	147.78	576.81	147.78	582.70	147.78	588.61	147.78	592.47	155.15	595.53	166.69	598.28	189.75	599.62	215.50
	435					572.46	173.26	579.32	173.26	586.21	173.26	590.73	180.77	594.29	192.17	597.48	215.23	599.07	240.98
	507.5							576.02	198.87	583.89	198.87	589.01	206.25	593.08	217.64	596.75	240.71	598.54	266.46
	580									581.59	224.35	587.35	231.72	591.91	243.26	596.01	266.32	598.01	292.07
940-50	72.5	665.41	49.21	671.62	49.21	676.02	49.21	678.43	49.21	680.83	49.21	682.39	56.72	683.63	68.12	684.76	91.19	685.32	116.94
	145	648.36	78.31	659.58	78.31	667.50	78.31	671.83	78.31	676.16	78.31	678.98	85.69	681.23	97.22	683.23	120.29	684.24	146.03
	217.5	632.62	107.41	648.44	107.41	659.63	107.41	665.73	107.41	671.85	107.41	675.84	114.79	679.01	126.19	681.83	149.39	683.26	175.00
	290	617.65	136.38	637.85	136.38	652.13	136.38	659.92	136.38	667.74	136.38	672.83	143.89	676.90	155.29	680.51	178.35	682.31	204.10
	362.5					644.93	165.48	654.35	165.48	663.80	165.48	669.95	172.99	674.84	184.39	679.22	207.45	681.41	233.20
	435									659.97	194.58	667.15	201.95	672.86	213.49	677.98	236.55	680.51	262.30
	507.5											664.44	231.05	670.93	242.45	676.79	265.65	679.67	291.27
	580													669.06	271.55	675.60	294.62	678.82	320.36

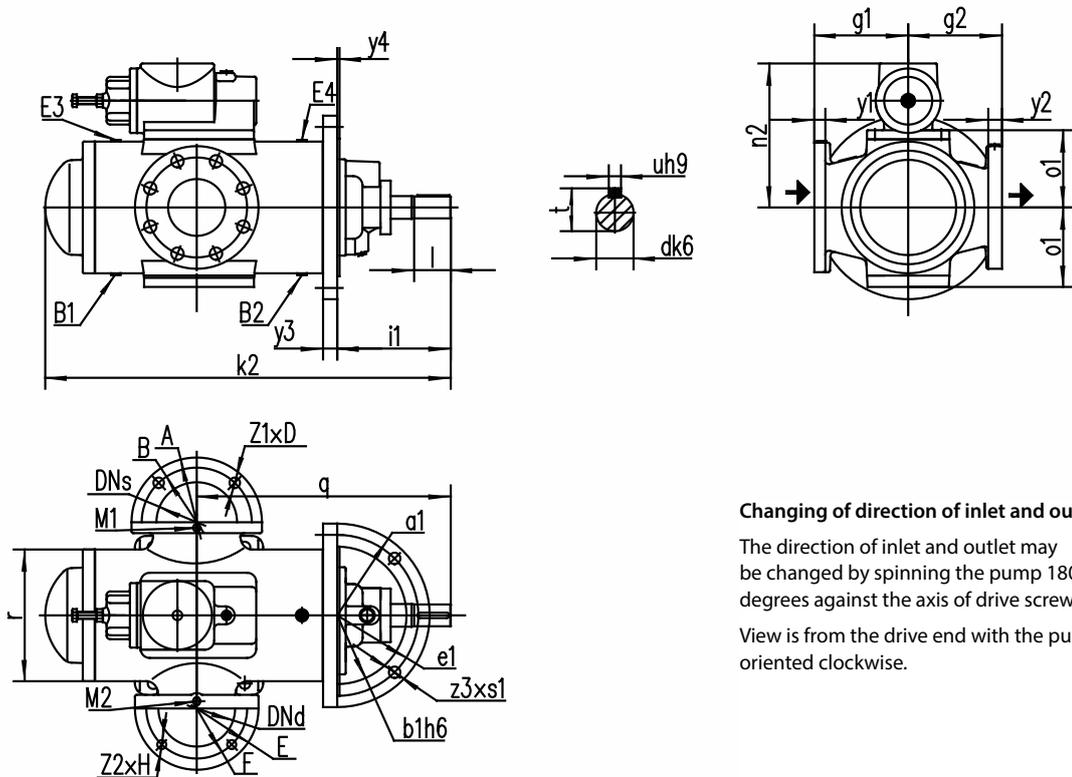
Values in the grey area of the table are not recommended. Blackmer reserves the right to change the data in the table without prior notice.

Speed n=3500 r/min

METRIC

Size	Pressure ΔP Bar	Viscosity (mm ² /s)																	
		3		6		12		20		40		75		150		380		760	
		Flow L/min	Power kW	Flow L/min	Power kW	Flow L/min	Power kW	Flow L/min	Power kW	Flow L/min	Power kW	Flow L/min	Power kW	Flow L/min	Power kW	Flow L/min	Power kW	Flow L/min	Power kW
940-46	5.0	2232	34.1	2247	34.1	2257	34.1	2263	34.1	2269	34.1	2272	39.6	2275	48.1	2278	65.4	2279	84.6
	10.0	2192	53.1	2218	53.1	2237	53.1	2247	53.1	2257	53.1	2264	58.6	2269	67.2	2274	84.4	2277	104
	15.0	2154	72.1	2192	72.1	2218	72.1	2233	72.1	2247	72.1	2257	77.7	2264	86.2	2271	103	2274	123
	20.0	2119	91.2	2167	91.2	2201	91.2	2219	91.2	2238	91.2	2250	96.7	2259	105	2268	122	2272	142
	25.0	2085	110	2143	110	2183	110	2206	110	2228	110	2243	116	2254	124	2265	141	2270	161
	30.0					2167	129	2193	129	2219	129	2236	135	2250	143	2262	160	2268	180
	35.0							2180	148	2210	148	2230	154	2245	162	2259	179	2266	199
	40.0									2202	167	2223	173	2241	181	2256	199	2264	218
940-50	5.0	2519	36.7	2542	36.7	2559	36.7	2568	36.7	2577	36.7	2583	42.3	2588	50.8	2592	68	2594	87.2
	10.0	2454	58.4	2497	58.4	2527	58.4	2543	58.4	2560	58.4	2570	63.9	2579	72.5	2586	89.7	2590	109
	15.0	2395	80.1	2455	80.1	2497	80.1	2520	80.1	2543	80.1	2558	85.6	2570	94.1	2581	111	2586	130
	20.0	2338	102	2415	102	2469	102	2498	102	2528	102	2547	107	2562	116	2576	133	2583	152
	25.0					2441	123	2477	123	2513	123	2536	129	2555	137	2571	155	2579	174
	30.0									2498	145	2525	151	2547	159	2566	176	2576	196
	35.0											2515	172	2540	181	2562	198	2573	217
	40.0													2533	202	2557	220	2570	239

Values in the blue area of the table are not recommended. Blackmer reserves the right to change the data in the table without prior notice.



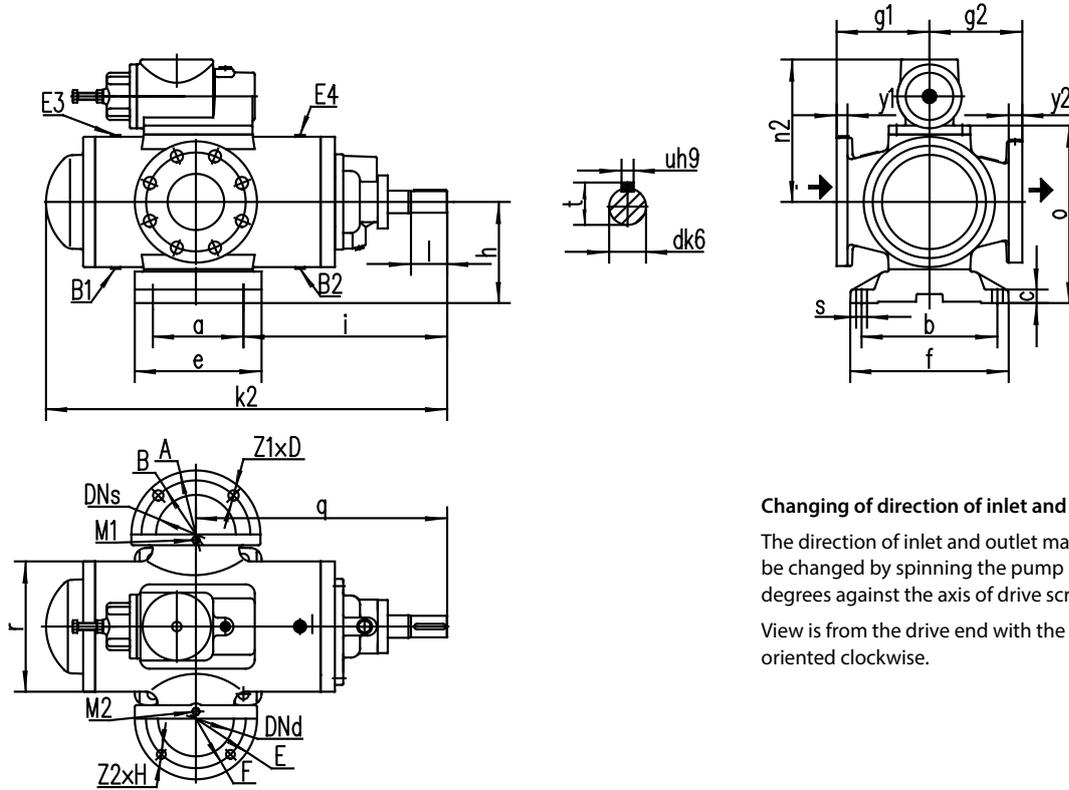
Changing of direction of inlet and outlet:

The direction of inlet and outlet may be changed by spinning the pump 180 degrees against the axis of drive screw.

View is from the drive end with the pump oriented clockwise.

Size	Pump Size								Connecting Flange Size							Shaft Head Size				
	g1	g2	h	k2	n2	o	q	r	a1	b1	e1	i1	s1	y3	y4	z3	d	l	u	t
40	100	100	106	393	162	189	230	130	190	130	160	130	14	14	5	4	19	35	6	21.5
80	120	120	118	435	174	213	275	155	230	155	190	138	18	16	5	4	19	31	6	21.5
120	130	130	150	503	207	265	317	185	260	185	220	168	18	18	5	4	24	45	8	27
210	150	150	160	580	217	285	352	205	290	205	250	186	18	20	6	4	28	53	8	30
280	165	165	190	630	247	330	390	220	310	220	260	195	23	22	6	4	32	48	10	35
440	180	180	200	716	257	350	440	245	360	250	310	209	27	25	6	4	38	50	10	41
660	195	195	215	800	272	380	490	270	380	270	320	239	27	25	6	4	42	65	12	45
940	205	205	225	886	282	400	555	290	400	290	350	251	23	28	6	8	48	75	14	51.5

Size	Suction Flange						Discharge Flange						Drainage	Vent	Pressure Gauge
	DNs	A	B	D	Y1	Z2	DNd	E	F	H	Y2	Z2	B1/B2	E3/E4	M1/M2
40	32	140	100	18	18	4	25	115	85	14	18	4	G1/4	G1/4	G1/4
80	65	185	145	18	20	4	50	165	125	18	22	4	G1/4	G1/4	G1/4
120	65	185	145	18	20	4	50	165	125	18	22	4	G1/4	G1/4	G1/4
210	80	200	160	18	22	8	65	185	145	18	24	8	G3/8	G3/8	G1/4
280	100	220	180	18	22	8	80	200	160	18	26	8	G3/8	G3/8	G3/8
440	125	250	210	18	24	8	100	235	190	23	28	8	G1/2	G1/2	G1/2
660	125	250	210	18	24	8	100	235	190	23	28	8	G1/2	G1/2	G1/2
940	150	285	240	23	24	8	125	270	220	27	30	8	G1/2	G1/2	G1/2



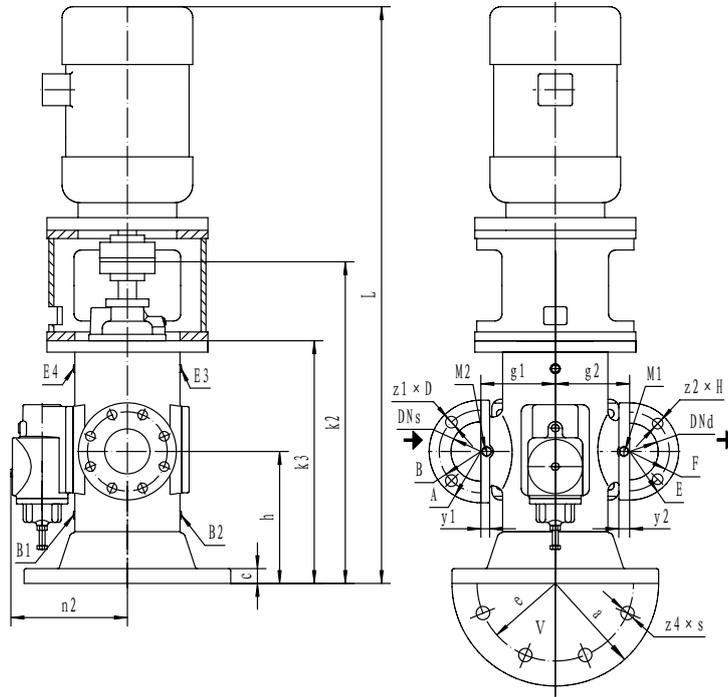
Changing of direction of inlet and outlet:

The direction of inlet and outlet may be changed by spinning the pump 180 degrees against the axis of drive screw.

View is from the drive end with the pump oriented clockwise.

Size	Pump Size								Connecting Flange Size						Shaft Head Size				
	g1	g2	h	k2	n2	o1	q	r	a	b	c	e	f	i	s	d	l	u	t
40	100	100	106	393	162	189	230	130	70	144	10	114	170	193	12	19	35	6	21.5
80	120	120	118	435	174	213	275	155	70	144	10	114	170	235	12	19	31	6	21.5
120	130	130	150	503	185	265	317	185	140	180	15	190	210	246	14	24	45	8	27.0
210	150	150	160	580	195	285	352	205	140	180	15	190	210	281	14	28	53	8	31.0
280	165	165	190	630	247	330	390	220	200	300	30	280	350	291	24	32	48	10	35.0
440	180	180	200	716	257	350	440	245	200	300	30	280	350	340	24	38	50	10	41.0
660	195	195	215	800	272	380	490	270	200	300	30	280	350	390	24	42	65	12	45.0
940	205	205	225	886	320	400	555	290	200	300	30	280	350	450	24	48	75	14	51.5

Size	Suction Flange						Discharge Flange						Drainage	Vent	Pressure Gauge
	DNs	A	B	D	Y1	Z1	DNd	E	F	H	Y2	Z2	B1/B2	E3/E4	M1/M2
40	32	140	100	18	18	4	25	115	85	14	18	4	G1/4	G1/4	G1/4
80	65	185	145	18	20	4	50	165	125	18	22	4	G1/4	G1/4	G1/4
120	65	185	145	18	20	4	50	165	125	18	22	4	G1/4	G1/4	G1/4
210	80	200	160	18	22	8	65	185	145	18	24	8	G3/8	G3/8	G1/4
280	100	220	180	18	22	8	80	200	160	18	26	8	G3/8	G3/8	G3/8
440	125	250	210	18	24	8	100	235	190	23	28	8	G1/2	G1/2	G1/2
660	125	250	210	18	24	8	100	235	190	23	28	8	G1/2	G1/2	G1/2
940	150	285	240	23	24	8	125	270	220	27	30	8	G1/2	G1/2	G1/2



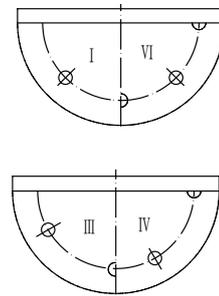
Pump foot hole arrangement:

- I = 3NS40
- III = 3NS80-210
- IV = 3NS120-210
- V = 3NS 280-940
- VI = 3NS1300-3600

Changing of direction of inlet and outlet:

The direction of inlet and outlet may be changed by spinning the pump 180 degrees against the axis of drive screw.

View is from the drive end with the pump oriented clockwise.



Size	Pump Unit Installation Dimensions										L																				
	a	e	n2	c	z4	S	h	k2	k3	g1/g2	80	90S	90L	100L	112M	132S	132M	160M	160L	180M	180L	200L	225S	225M	250M	280S	280M	315S	315M		
40	250	220	162	22	4	14	160	391	260	100	710	720	745	785	815	880	920														
80	280	240	174	23	6	18	189	464	325	120	750	760	785	825	855	920	960														
120	320	280	207	25	6	18	205	522	354	130	820	830	855	895	925	985	1025	1135	1180	1210	1250										
210	340	300	217	25	6	18	230	583	396	150		905	930	970	1000	1060	1100	1210	1255	1285	1325	1375									
280	400	360	247	30	8	18	350	741	546	165				1020	1070	1130	1170	1280	1325	1355	1400	1445									
440	420	380	257	35	8	18	350	790	581	180					1195	1235	1345	1390	1420	1460	1510	1550	1600	1640	1685	1770	1830				
660	480	440	272	35	8	18	350	840	601	195					1285	1325	1435	1480	1510	1550	1600	1640	1685	1770	1830						
940	510	460	282	40	8	18	370	925	674	205					1365	1405	1515	1560	1590	1630	1680	1720	1765	1850	1910						

Size	Suction Flange						Discharge Flange						Drainage	Vent	Pressure Gauge
	DNs	A	B	D	Y1	Z1	DNd	E	F	H	Y2	Z2	B1/B2	E3/E4	M1/M2
40	32	140	100	18	18	4	25	115	85	14	18	4	G1/4	G1/4	G1/4
80	65	185	145	18	20	4	50	165	125	18	22	4	G1/4	G1/4	G1/4
120	65	185	145	18	20	4	50	165	125	18	22	4	G1/4	G1/4	G1/4
210	80	200	160	18	22	8	65	185	145	18	24	8	G3/8	G3/8	G1/4
280	100	220	180	18	22	8	80	200	160	18	26	8	G3/8	G3/8	G3/8
440	125	250	210	18	24	8	100	235	190	23	28	8	G1/2	G1/2	G1/2
660	125	250	210	18	24	8	100	235	190	23	28	8	G1/2	G1/2	G1/2
940	150	285	240	23	24	8	125	270	220	27	30	8	G1/2	G1/2	G1/2



Blackmer, part of PSG®, a Dover company, warrants its products free from defects in materials and workmanship under normal use and service for which its products were designed. This warranty is for a period of 12 months after installation or 18 months after shipment from the factory, whichever comes first. This standard warranty applies unless specific warranty conditions are granted in writing by Blackmer. If its products should fail through defect in workmanship or material within the stated warranty period, Blackmer must be notified in writing within the warranty period of such defects and shall have the option of requiring return of parts or product to its factory for verification of any claim. The warranty is in lieu of any other liability for defects.

BLACKMER MAKES NO WARRANTY OF MERCHANTABILITY AND NO WARRANTY THAT ITS PRODUCTS SHALL BE APPROPRIATE FOR ANY PARTICULAR PURPOSE, nor are there any other warranties, expressed or implied, by operation of law or otherwise. This warranty does not cover any expense (labor, lost production, travel expenses, etc.), incurred in repairs or alteration made outside the Blackmer factory without prior authorization, nor does it cover in any way the performance of equipment which has been revised or altered by others. The customer is wholly responsible for establishing the suitability of the product for his particular application and for operating conditions, which do not exceed published product limitations. Blackmer shall not be liable for damages or delay resulting from or related to defective products, nor for consequential, special or contingent damages for breach of warranty.

PLEASE PRINT OR TYPE AND FAX TO BLACKMER

PUMP INFORMATION				
Item # _____	Serial # _____			
Company Where Purchased _____				
YOUR INFORMATION				
Company Name _____				
Industry _____				
Name _____			Title _____	
Street Address _____				
City _____	State _____	Postal Code _____	Country _____	
Telephone _____	Fax _____	Email _____	Web Address _____	
Number of pumps in facility? _____		Number of Blackmer pumps? _____		
Types of pumps in facility (check all that apply):				
<input type="checkbox"/> Diaphragm <input type="checkbox"/> Centrifugal <input type="checkbox"/> Gear <input type="checkbox"/> Submersible				
<input type="checkbox"/> Lobe _____				
<input type="checkbox"/> Other _____				
Media being pumped? _____				
How did you hear of Blackmer pump?				
<input type="checkbox"/> Trade Journal <input type="checkbox"/> Trade Show <input type="checkbox"/> Internet/Email <input type="checkbox"/> Distributor				
<input type="checkbox"/> Other _____				

ONCE COMPLETE, FAX TO +1 616-241-3752

Blackmer reserves the right to change the data in the table without prior notice.



PSG® Grand Rapids
1809 Century Avenue SW
Grand Rapids, MI 49503-1530 USA
T: +1 (616) 241-1611
F: +1 (616) 241-3752
blackmer.com

Where Innovation Flows



PSG® reserves the right to modify the information and illustrations contained in this document without prior notice. This is a non-contractual document. 05-2016

Authorized PSG Partner: