



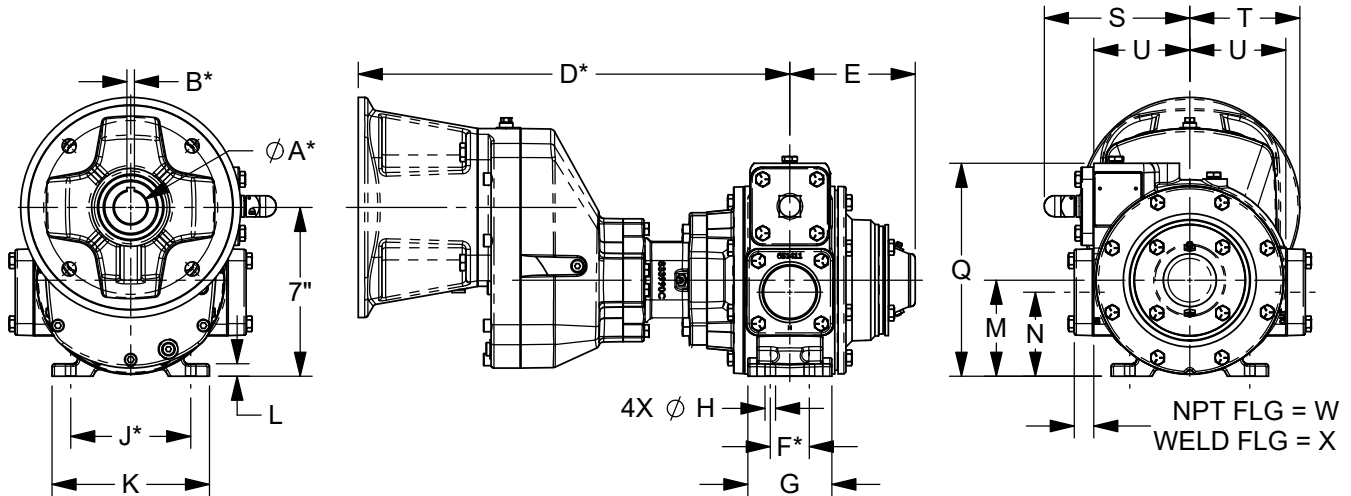
TYPE	SIZE	UNIT STYLE
GNXH	2	PO

DIMENSIONS 101-215	
Section Effective Replaces Page 1 / 3	101 JUNE 2020 MARCH 2020

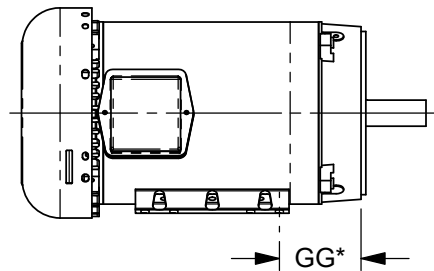
RIGHT HAND ROTATION. FOR LEFT HAND ROTATION, SHAFT PROJECTION IS OPPOSITE THAT SHOWN.

*TOLERANCE $\pm 1/8"$

TOLERANCE ON OTHER DIMENSIONS $\pm 1/4"$



MOTOR SIZE	ϕA^*	B*	D*	GG*
NEMA 140TC	7/8	3/16	16 15/16	2 7/8
NEMA 180TC	1 1/8	1/4	17 1/4	3 3/8
NEMA 210TC	1 3/8	5/16	18	4 1/4
IEC 100/112 B5	28mm	8mm	17 7/8	N/A



DIMENSIONS											WEIGHTS	
UNITS	A	B	C	D	E	F	G	H	J	K	UNITS	PUMP ONLY
IN	---	---	---	---	5 1/4	1 5/8	3 1/2	7/16	5	6 1/2	LBS	74
MM	---	---	---	---	133,3	41,3	88,9	11,1	127	166,7	KG	34
	L	M	N	P	Q	R	S	T	U	V		W/ NPT FLANGES
IN	1/2	4	3 1/2	---	8 7/8	---	5 7/8	4 9/16	4	1 1/2	LBS	78
MM	12,7	101,6	88,9	---	225,4	---	149,2	115,9	101,6	38,1	KG	35
	W	X	Y	Z	AA	BB	CC	DD	EE	FF		W/ WELD FLANGES
IN	3/4	1 3/16	---	---	---	---	---	---	---	---	LBS	79
MM	19,1	30,2	---	---	---	---	---	---	---	---	KG	36
	GG	HH	JJ	KK	LL	MM						W/ ANSI FLANGES
IN	---	---	---	---	---	---					LBS	93
MM	---	---	---	---	---	---					KG	42



TYPE	SIZE	UNIT STYLE
GNXH	2	GNXH

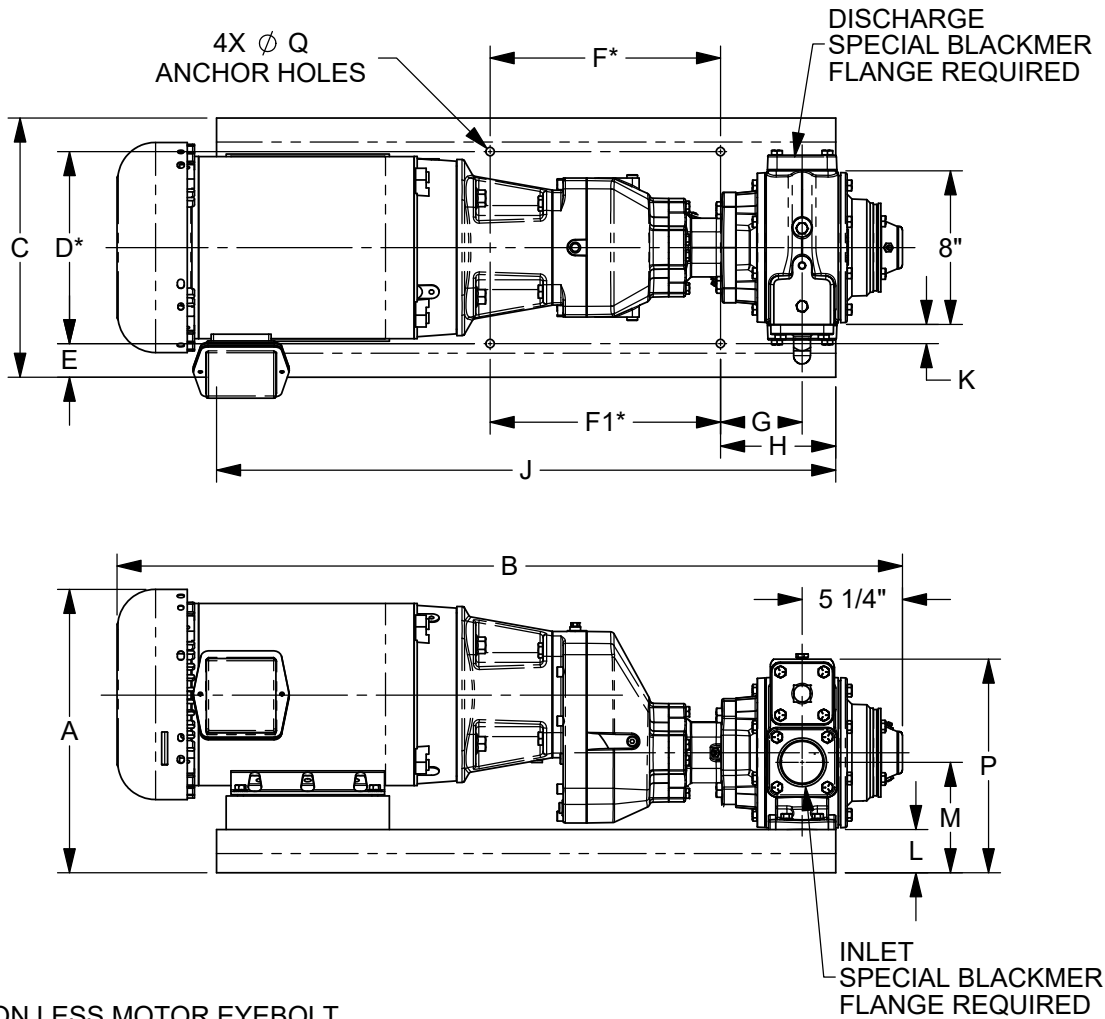
DIMENSIONS 101-215	
Section Effective Replaces Page 2 / 3	101 JUNE 2020 MARCH 2020

RIGHT HAND ROTATION SHOWN.

BENT STEEL BASEPLATE

*TOLERANCE $\pm 1/8"$

TOLERANCE ON OTHER DIMENSIONS $\pm 1/4"$



"A" DIMENSION LESS MOTOR EYEBOLT

MOTOR			BASE NO.	DIMENSIONS														APPROX. UNIT WT. - POUNDS		
FRAME SIZE	H.P.	RPM		A	B	C	D	E	F	F1	G	H	J	K	L	M	P	Q	LESS MOTOR	INCL MOTOR
143TC	1	1800	905610	14	33 13/16	13	10	1 1/2	12	12	2 3/4	6	30 1/2	1	1 3/4	5 1/4	10 5/8	7/16	184	231
145TC	1 1/2	1800	905610	14	33 13/16	13	10	1 1/2	12	12	2 3/4	6	30 1/2	1	1 3/4	5 1/4	10 5/8	7/16	184	231
182TC	3	1800	905611	13 3/4	35 3/8	13	10	1 1/2	12	12	2 3/4	6	30 1/2	1	1 3/4	5 1/4	10 5/8	7/16	179	253
184TC	5	1800	905611	13 3/4	36 7/16	13	10	1 1/2	12	12	2 3/4	6	30 1/2	1	1 3/4	5 1/4	10 5/8	7/16	179	260
213TC	7 1/2	1800	905612	14 3/4	39 1/8	13 1/2	10	1 3/4	12	12	4 1/4	6	32 1/4	1	2 1/4	5 3/4	11 1/8	7/16	189	335
215TC	10	1800	905612	14 3/4	40 7/8	13 1/2	10	1 3/4	12	12	4 1/4	6	32 1/4	1	2 1/4	5 3/4	11 1/8	7/16	189	416
215C	5	1800	905618	14 5/16	40 1/16	13 1/2	10	1 3/4	12	12	4 1/4	6	32 1/4	1	2 1/4	5 3/4	11 1/8	7/16	179	600

