



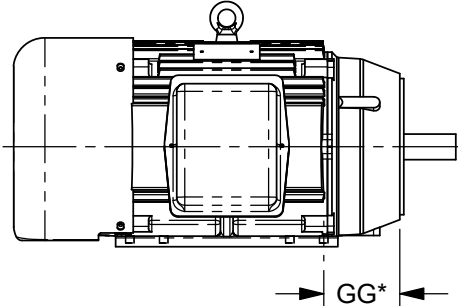
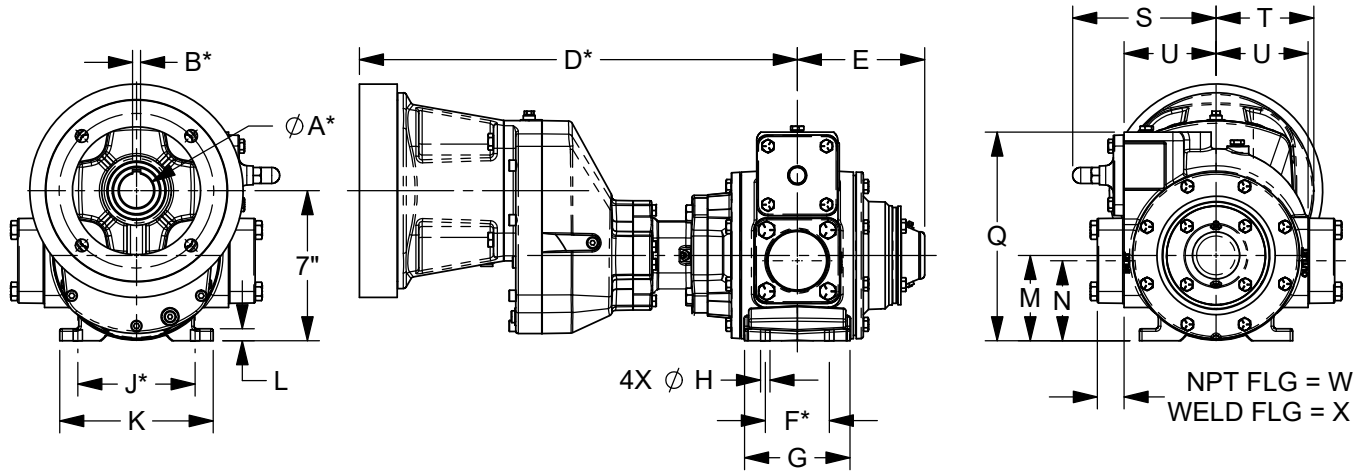
TYPE	SIZE	UNIT STYLE
GNXH	2.5	PO

DIMENSIONS 101-216	
Section Effective Replaces Page 1 / 3	101 JUNE 2020 MARCH 2020

RIGHT HAND ROTATION. FOR LEFT HAND ROTATION, SHAFT PROJECTION IS OPPOSITE THAT SHOWN.

*TOLERANCE $\pm 1/8"$

TOLERANCE ON OTHER DIMENSIONS $\pm 1/4"$



MOTOR SIZE	ϕA^*	B*	D*	GG*
NEMA 180TC	1 1/8	1/4	18	3 3/8
NEMA 210TC	1 3/8	5/16	18 3/4	4 1/4
NEMA 250TC	1 5/8	3/8	20 1/2	4 3/4
IEC 100/112 B5	28mm	8mm	18 5/8	N/A

DIMENSIONS											WEIGHTS	
UNITS	A	B	C	D	E	F	G	H	J	K	UNITS	PUMP ONLY
IN	---	---	---	---	6	3	4 7/8	7/16	5 1/2	7 3/16	LBS	93
MM	---	---	---	---	152,4	76,2	123,8	11,1	139,7	182,6	KG	42
	L	M	N	P	Q	R	S	T	U	V		W/ NPT FLANGES
IN	5/8	4	3 3/4	---	9 13/16	---	6 13/16	4 9/16	4 5/16	---	LBS	99
MM	15,9	101,6	95,3	---	249,2	---	173	115,9	109,5	---	KG	45
	W	X	Y	Z	AA	BB	CC	DD	EE	FF		W/ WELD FLANGES
IN	1 3/16	1 1/4	---	---	---	---	---	---	---	---	LBS	98
MM	30,2	31,8	---	---	---	---	---	---	---	---	KG	44
	GG	HH	JJ	KK	LL	MM						W/ ANSI FLANGES
IN	---	---	---	---	---	---					LBS	123
MM	---	---	---	---	---	---					KG	56



TYPE	SIZE	UNIT STYLE
GNXH	2.5	GNXH

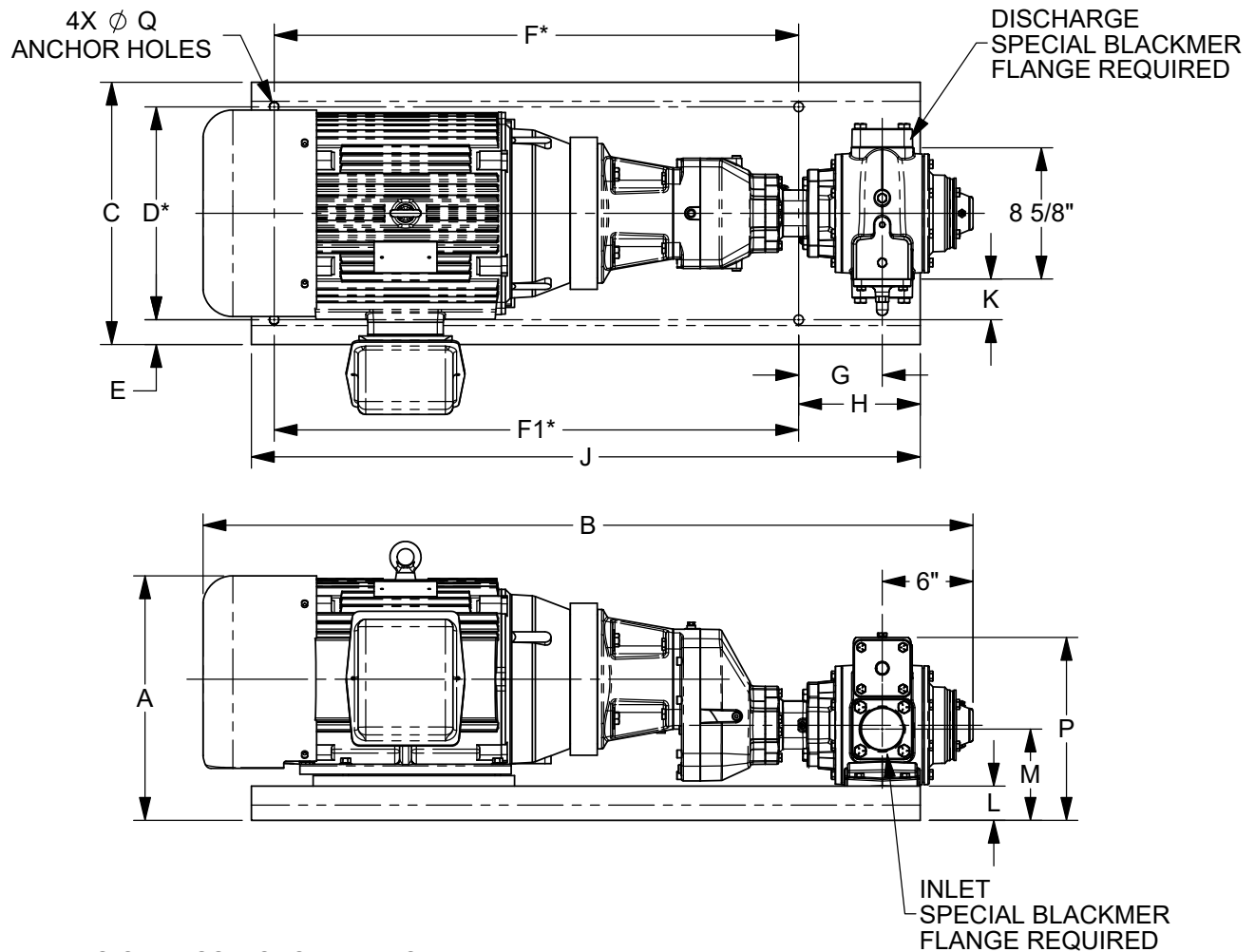
DIMENSIONS 101-216	
Section Effective Replaces Page 2 / 3	101 JUNE 2020 MARCH 2020

RIGHT HAND ROTATION SHOWN.

BENT STEEL BASEPLATE

*TOLERANCE $\pm 1/8"$

TOLERANCE ON OTHER DIMENSIONS $\pm 1/4"$



"A" DIMENSION LESS MOTOR EYEBOLT

MOTOR			BASE NO.	DIMENSIONS															APPROX. UNIT WT. - POUNDS	
FRAME SIZE	H.P.	RPM		A	B	C	D	E	F	F1	G	H	J	K	L	M	P	Q	LESS MOTOR	INCL MOTOR
182TC	3	1800	905621	13 3/4	36 7/8	13 3/4	10	1 7/8	14	14	3 1/2	6	32	11/16	1 3/4	5 1/2	11 9/16	7/16	205	279
184TC	5	1800	905621	13 3/4	37 7/8	13 3/4	10	1 7/8	14	14	3 1/2	6	32	11/16	1 3/4	5 1/2	11 9/16	7/16	205	286
213TC	7 1/2	1800	905622	14 1/4	40 5/8	14 3/4	10	2 3/8	16	16	3 1/2	6	34	11/16	1 3/4	5 1/2	11 9/16	7/16	214	360
215TC	10	1800	905622	14 1/4	42 3/8	14 3/4	10	2 3/8	16	16	3 1/2	6	34	11/16	1 3/4	5 1/2	11 9/16	7/16	214	441
215C	5	1800	905628	13 3/4	41 1/2	14 3/4	10	2 3/8	16	16	3 1/2	6	34	11/16	1 3/4	5 1/2	11 9/16	7/16	214	626
254TC	15	1800	905623	16	49 1/2	17 1/4	14	1 5/8	34 1/2	34 1/2	5 1/2	8	44	2 11/16	2 1/4	6	12 1/16	5/8	251	631
256TC	15	1500	905623	16	50 5/8	17 1/4	14	1 5/8	34 1/2	34 1/2	5 1/2	8	44	2 11/16	2 1/4	6	12 1/16	5/8	251	671

