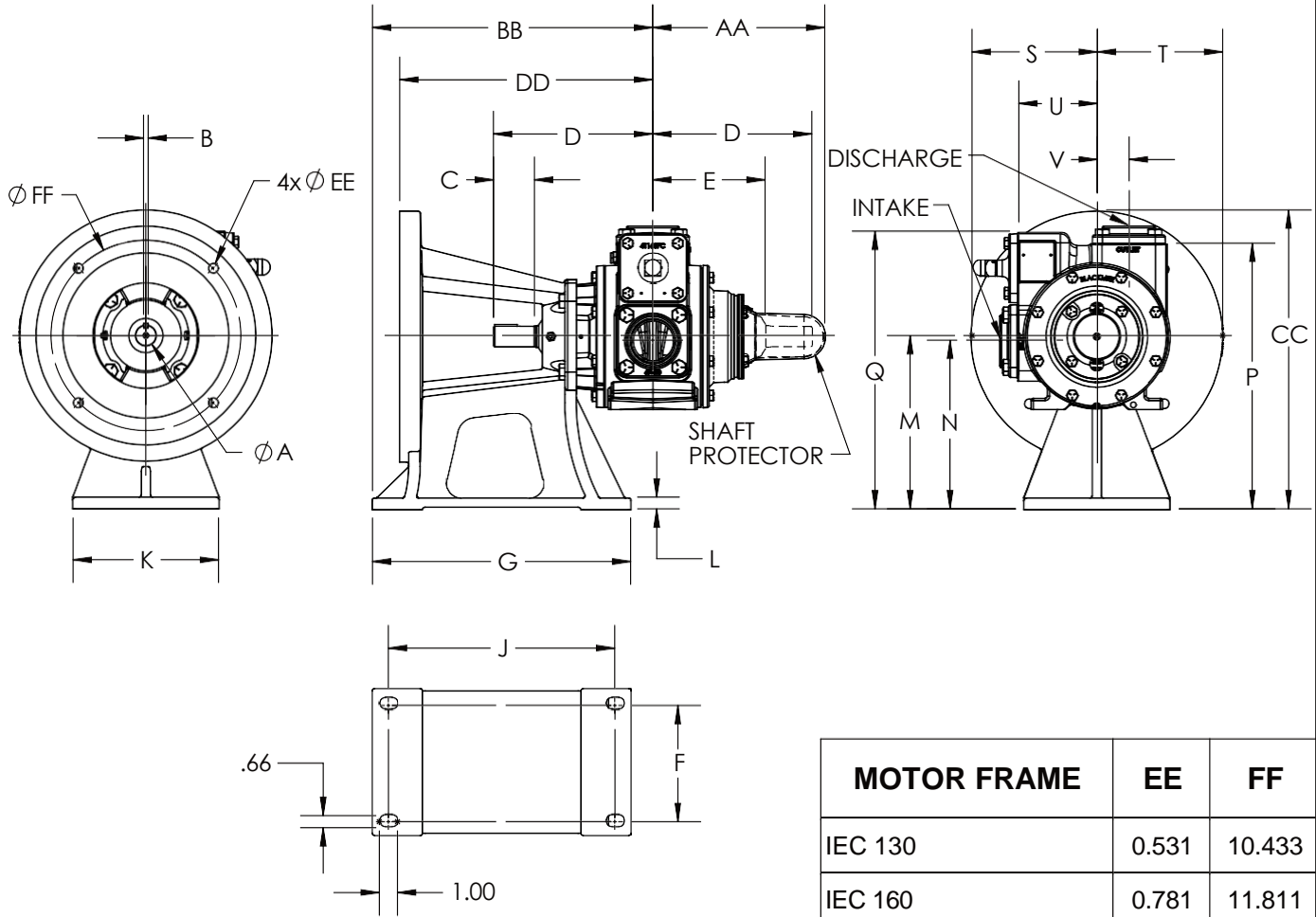




TYPE	SIZE	UNIT STYLE	DIMENSIONS 101-222	
	X1225	2.5	PO	Section Effective Replaces Page 1 / 1
			101	Aug 2023
			New	

RIGHT HAND ROTATION. FOR LEFT HAND ROTATION, SHAFT PROJECTION IS OPPOSITE THAT SHOWN



MOTOR FRAME	EE	FF
IEC 130	0.531	10.433
IEC 160	0.781	11.811
213T, 215T, 254T, 256T	0.531	7 1/4

DIMENSIONS											WEIGHTS	
UNITS	A	B	C	D	E	F	G	H	J	K	UNITS	PUMP ONLY
IN	1 1/8	1/4	2 1/4	8 3/4	6	6 3/8	14 1/4	---	12 1/2	8	LBS	167
MM	28,6	6,4	57,2	222,3	152,4	162	365	---	316,2	203,2	KG	76
	L	M	N	P	Q	R	S	T	U	V		W/ NPT FLANGES
IN	5/8	9 1/2	9 1/4	14 9/16	15 1/4	---	6 7/8	6 7/8	4 5/16	1 3/4	LBS	173
MM	16,1	241,3	235	370	386,6	---	175	175	109,5	44,5	KG	78
	W	X	Y	Z	AA	BB	CC	DD				W/ WELD FLANGES
IN	---	---	---	---	9 1/2	15 3/8	16 3/8	13 7/8			LBS	172
MM	---	---	---	---	241,3	390,5	415,9	352,9			KG	78
	GG	HH	JJ	KK	LL	MM						W/ ANSI FLANGES
IN	---	---	---	---	---	---					LBS	187
MM	---	---	---	---	---	---					KG	85