



www.blackmer.com

TYPE

SIZE

UNIT  
STYLE

HXL

6G

PO

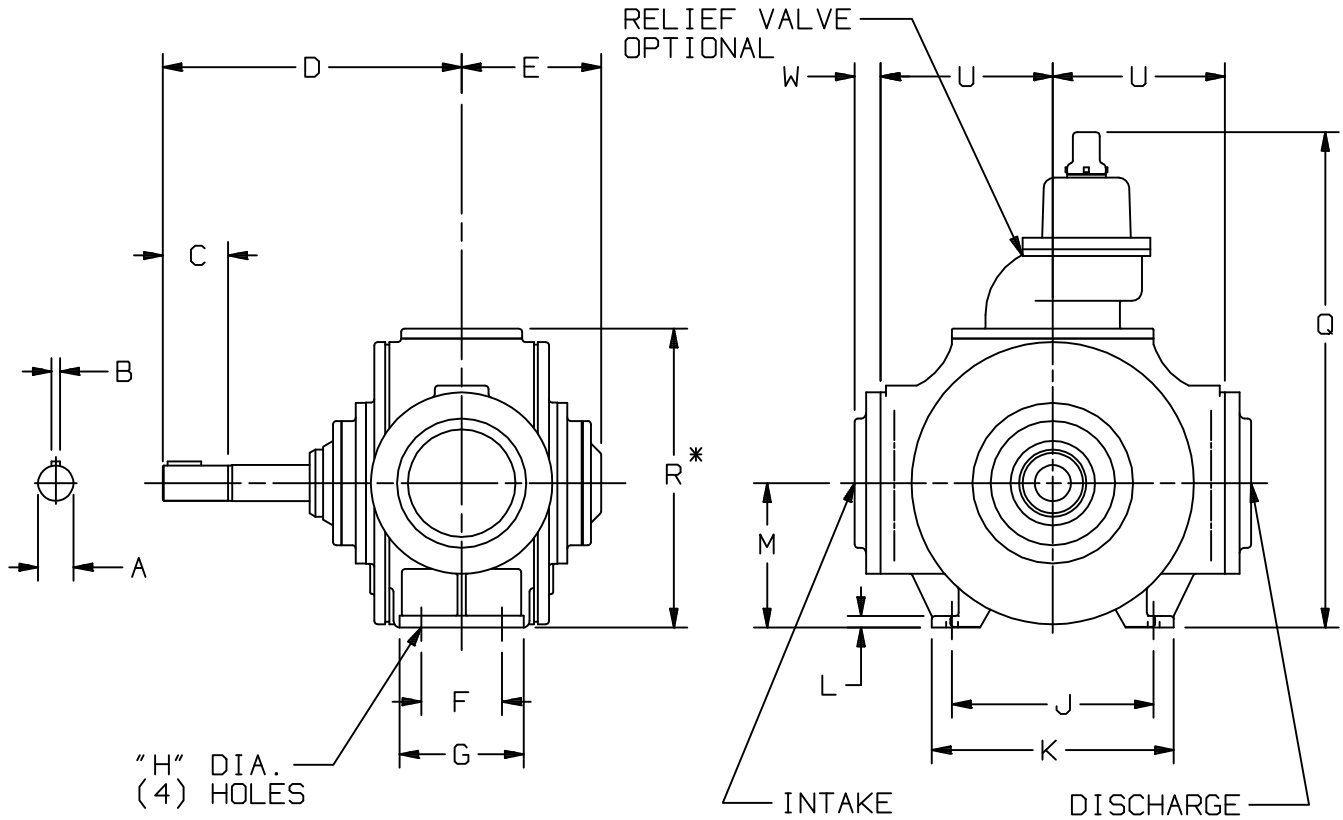
HXL

8G

DIMENSIONS 102-103

Effective October 2002  
Replaces July 1999

RIGHT HAND ROTATION, FOR LEFT HAND ROTATION, SHAFT PROJECTION IS OPPOSITE THAT SHOWN.



PUMP FLANGES ARE ANSI COMPATIBLE.  
\* PUMP HEIGHT LESS RELIEF VALVE

			UNITS	DIMENSIONS										
FRAME SIZE		PUMP SIZE		A	B	C	D	E	F	G	H	J		
		HXL6	IN	2 1/8	1/2	10 3/8	21	9 11/16	5 1/2	8 1/2	7/8	10 1/2		
			MM	54	12.7	263.5	533.4	246.1	139.7	215.9	22.2	266.7		
		HXL8	IN	2 5/8	5/8	5	22 1/4	10 3/8	6	9 1/4	7/8	15		
			MM	66.7	15.9	127	565.2	263.5	152.4	235	22.2	381		
				K	L	M	N	P	Q	R	S	T		
		HXL6	IN	12 1/2	3/4	9 1/2	—	—	34 1/2	20 1/4	—	—		
			MM	317.5	19.1	241.3	—	—	876.3	514.4	—	—		
		HXL8	IN	18	7/8	10 3/4	—	—	36 7/8	22 3/4	—	—		
			MM	457.2	22.2	273.1	—	—	936.6	577.9	—	—		
				U	V	W							WGT.	
		HXL6	IN	10 3/4	—	1 11/16							707 lbs	
			MM	273.1	—	42.9							320.6 kg	
		HXL8	IN	12 13/16	—	1 15/16							1010 lbs	
			MM	325.4	—	49.2							458 kg	