

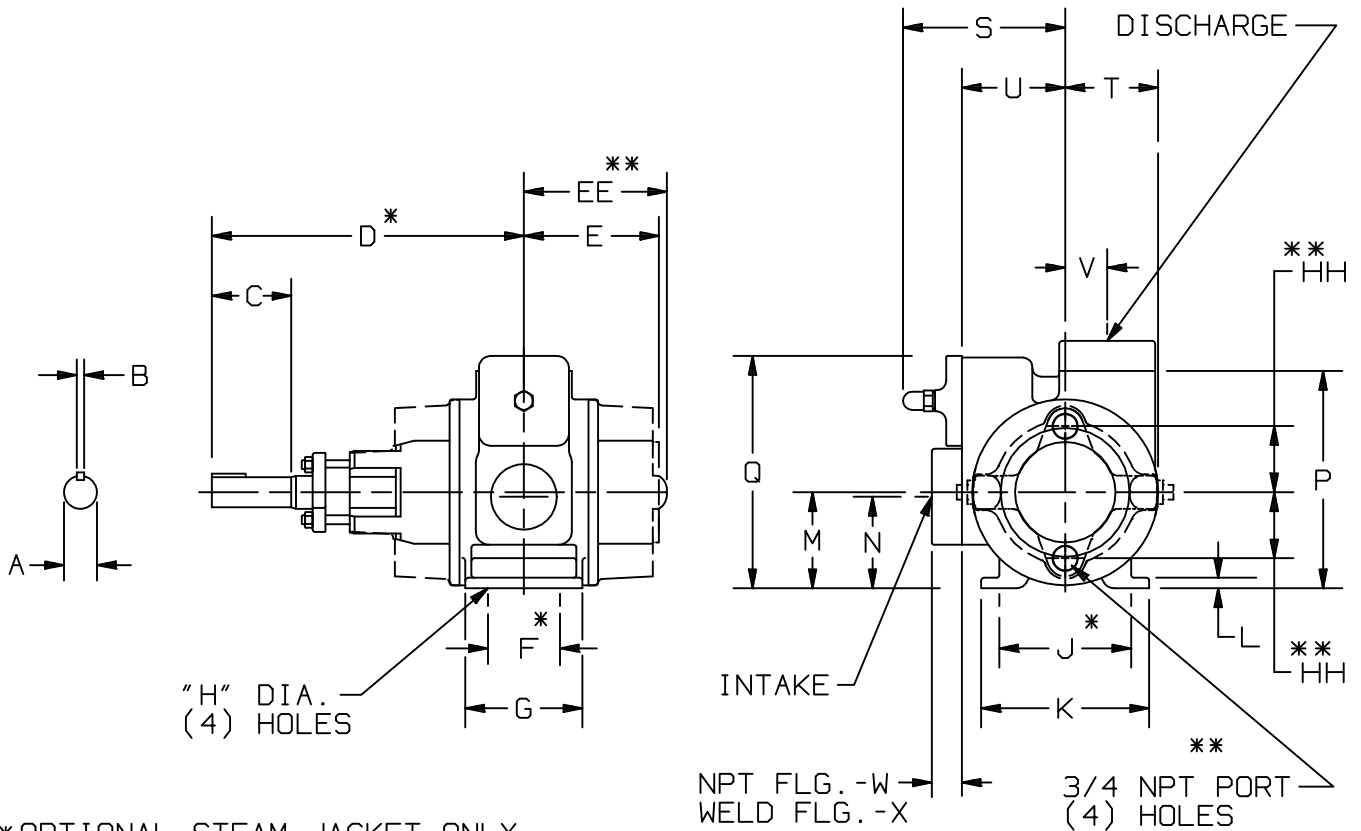
TYPE	SIZE	UNIT STYLE
NP	2.5F	PO

DIMENSIONS 103-107	
Section Effective	103 Sept 2023
Replaces	Nov 2001
Page	1/6

RIGHT HAND ROTATION. FOR LEFT HAND ROTATION, SHAFT PROJECTION IS OPPOSITE THAT SHOWN.

* TOLERANCE $\pm \frac{1}{8}$

TOLERANCE ON OTHER DIMENSIONS $\pm \frac{1}{4}$



**OPTIONAL STEAM JACKET ONLY

MOTOR			UNITS	DIMENSIONS									
FRAME SIZE				A	B	C	D	E	F	G	H	J	K
			IN	1 1/4	1/4	3 5/16	13	5 7/8	3	4 7/8	7/16	5 1/2	7
			MM	31,8	6,4	84,1	330,2	149,2	76,2	123,8	11,1	139,7	177,8
				L	M	N	P	Q	R	S	T	U	V
			IN	7/16	4	3 3/4	9 1/16	9 5/8	—	6 13/16	3 7/8	4 5/16	1 3/4
			MM	11,1	101,6	95,3	230,2	244,5	—	173	98,4	109,5	44,4
				W	X	Y	Z	AA	BB	CC	DD	EE	FF
			IN	1 3/16	1 1/4	—	—	—	—	—	15	6 1/8	—
			MM	30,2	31,8	—	—	—	—	—	381	133,4	—
				GG	HH					PUMP WEIGHT	WITH STD. FLANGES	** WITH JACKETED HEADS	
			IN	—	2 3/4					LBS	92	101	
			MM	—	69,8					KG	42	45,9	

NOTE: FOR ANSI AND DIN FLANGE DIMENSIONS, SEE DIMENSION SHEET 103-115



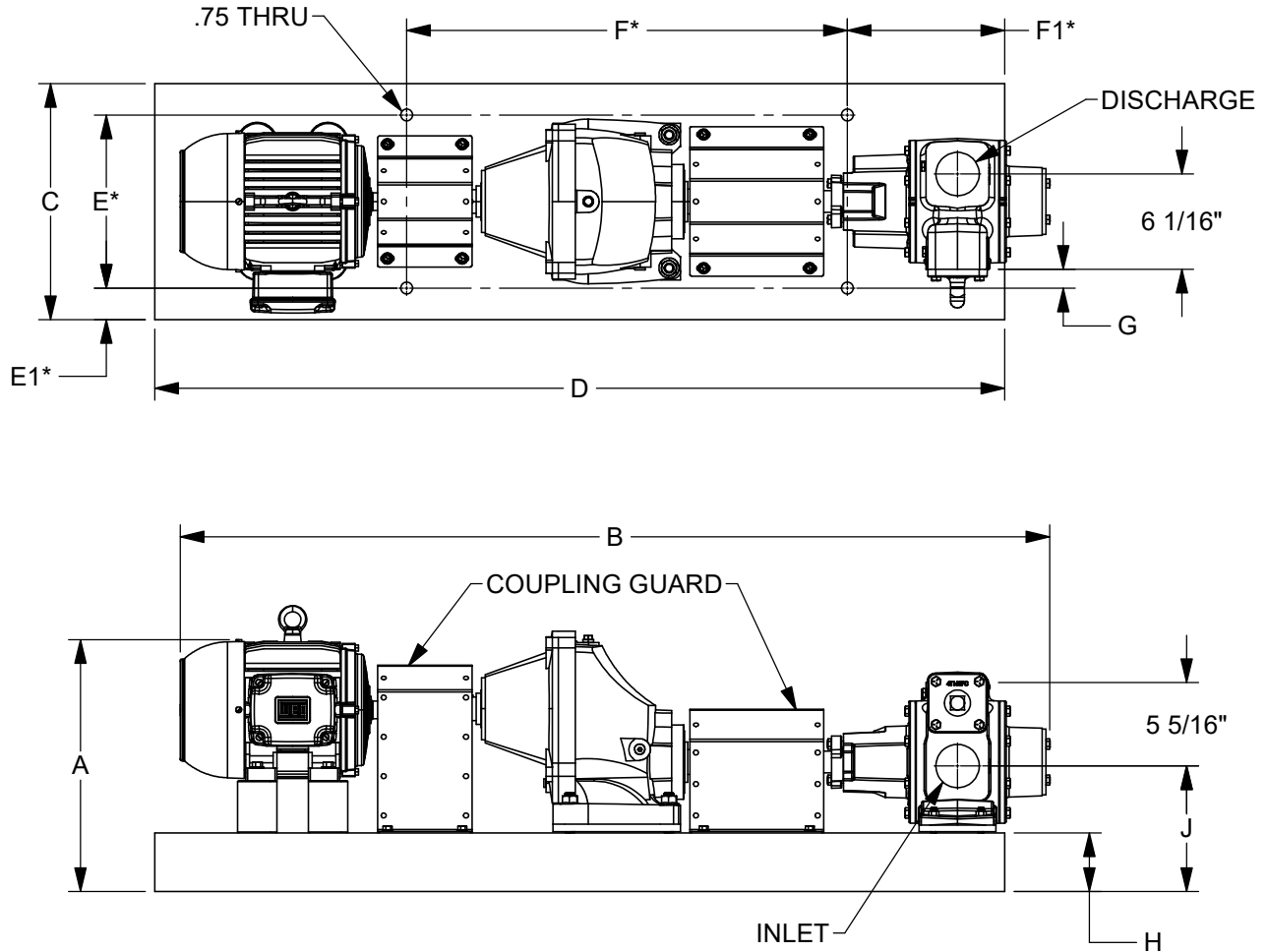
TYPE	SIZE	UNIT STYLE
NP	2.5F	SK871

DIMENSIONS 103-107	
Section Effective Replaces Page 2 / 6	103 SEP 2023 NEW

RIGHT HAND ROTATION SHOWN.

*TOLERANCE $\pm 1/8"$

TOLERANCE ON OTHER DIMENSIONS $\pm 1/4"$



"A" DIMENSION LESS MOTOR EYEBOLT

MOTOR			BASE NO.	DIMENSIONS											APPROX. UNIT WT. - POUNDS	
FRAME SIZE	H.P.	RPM		A	B	C	D	E	E1	F	F1	G	H	J	LESS MOTOR	INCL MOTOR
182T	3	1800	901429	16 7/16	55 7/16	18	54	14	2	28	10	2 11/16	4 3/16	8 7/16	560	670
184T	5	1800	901429	16 7/16	56 7/16	18	54	14	2	28	10	2 11/16	4 3/16	8 7/16	560	680
213T	7 1/2	1800	901437	17 3/16	58 1/8	18	54	14	2	30	10	2 11/16	4 3/16	8 7/16	600	755
215T	10	1800	901437	17 3/16	58 5/8	18	54	14	2	30	10	2 11/16	4 3/16	8 7/16	600	770
254T	15	1800	901445	18 3/16	63 1/2	18	60	14	2	30 1/2	12	2 11/16	4 3/16	8 7/16	620	860
256T	20	1800	901445	18 3/16	65 1/4	18	60	14	2	30 1/2	12	2 11/16	4 3/16	8 7/16	620	890
284T	25	1800	901449	19	67 1/16	18	64	15	1 1/2	28 1/2	15	3 3/16	4 3/16	8 7/16	640	1040
286T	30	1800	901449	19	68 9/16	18	64	15	1 1/2	28 1/2	15	3 3/16	4 3/16	8 7/16	640	1070



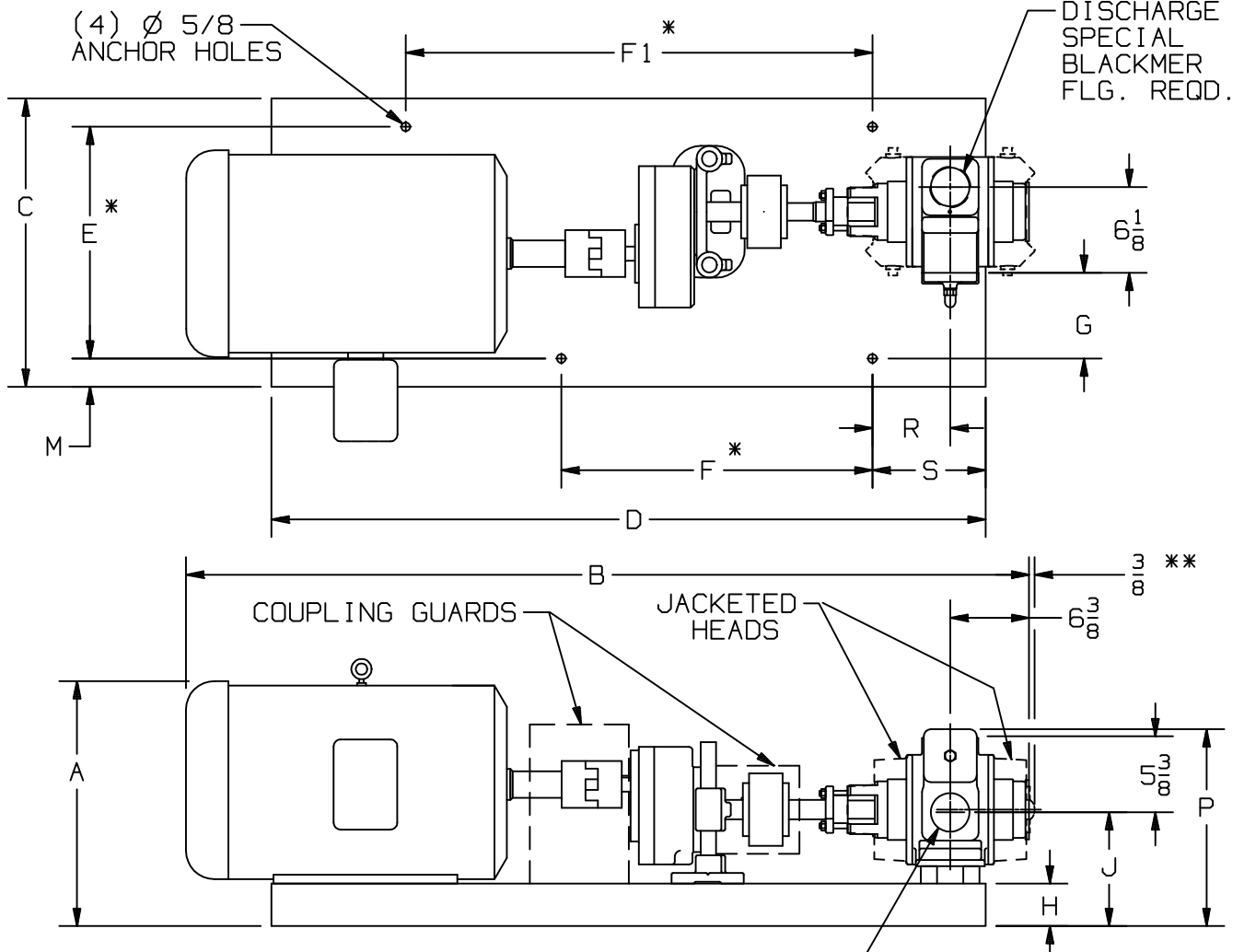
www.blackmer.com

TYPE	SIZE	UNIT STYLE
NP	2.5	HRA

DIMENSIONS 103-107

Section Effective Replaces Page	103 Sept2023 Nov 2001 3/6
---------------------------------	------------------------------------

RIGHT HAND ROTATION



UNIT DIMENSION LESS FLANGES

* TOLERANCE $\pm \frac{1}{8}$

TOLERANCE ON OTHER DIMENSIONS $\pm \frac{1}{4}$

"A" DIMENSION LESS EYEBOLT

** FOR JACKETED HEADS

FLG. HGT.	2 1/2" NPT	-	1 1/4
	2 1/2" WELD	-	1 /14

MOTOR		BASE NO.	DIMENSIONS													
FRAME SIZE			A	B	C	D	E	F	F1	G	H	J	M	P	R	S
182T		901792	11 7/8	48 5/8	17 1/4	44	14	15	26	3 7/8	2 1/4	7 3/8	1 5/8	13 5/8	6 1/2	9
184T		901792	11 7/8	49 5/8	17 1/4	44	14	15	26	3 7/8	2 1/4	7 3/8	1 5/8	13 5/8	6 1/2	9
213T		901792	13 3/8	51 3/4	17 1/4	44	14	15	26	3 7/8	2 1/4	7 3/8	1 5/8	13 5/8	6 1/2	9
215T		901792	13 3/8	52 1/2	17 1/4	44	14	15	26	3 7/8	2 1/4	7 3/8	1 5/8	13 5/8	6 1/2	9
254T		901793	16 3/8	56 3/8	20 3/8	50 1/2	16 3/8	22	33	6 1/8	3	8 1/8	2	14 5/8	5 1/2	8
256T		901793	16 3/8	58 1/8	20 3/8	50 1/2	16 3/8	22	33	6 1/8	3	8 1/8	2	14 5/8	5 1/2	8
284T		901793	18	60 3/8	20 3/8	50 1/2	16 3/8	22	33	6 1/8	3	8 1/8	2	14 5/8	5 1/2	8
286T		901793	18	61 7/8	20 3/8	50 1/2	16 3/8	22	33	6 1/8	3	8 1/8	2	14 5/8	5 1/2	8

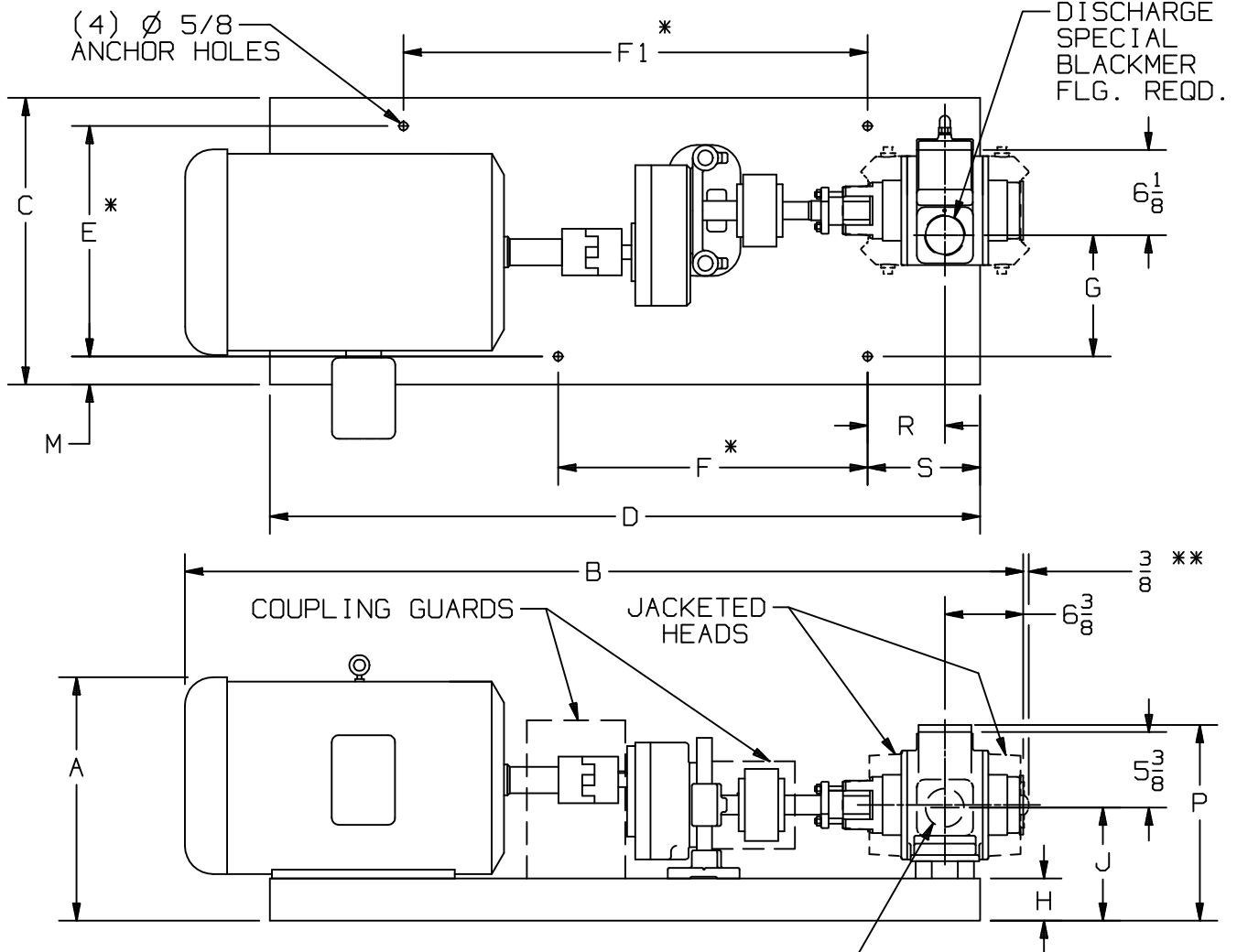
DIMENSIONS 103-107

Section 103
 Effective Sept 2023
 Replaces Nov 2001
 Page 4/6

TYPE	SIZE	UNIT STYLE
NP	2.5	HRA



LEFT HAND ROTATION



UNIT DIMENSION LESS FLANGES

* TOLERANCE $\pm \frac{1}{8}$

TOLERANCE ON OTHER DIMENSIONS $\pm \frac{1}{4}$

"A" DIMENSION LESS EYEBOLT

** FOR JACKETED HEADS

FLG. HGT. 2 1/2" NPT - 1 1/4
 2 1/2" WELD - 1 /14

MOTOR		BASE NO.	DIMENSIONS													
FRAME SIZE			A	B	C	D	E	F	F1	G	H	J	M	P	R	S
182T		901792	11 7/8	48 5/8	17 1/4	44	14	15	26	6 3/8	2 1/4	7 3/8	1 5/8	13 5/8	6 1/2	9
184T		901792	11 7/8	49 5/8	17 1/4	44	14	15	26	6 3/8	2 1/4	7 3/8	1 5/8	13 5/8	6 1/2	9
213T		901792	13 3/8	51 3/4	17 1/4	44	14	15	26	6 3/8	2 1/4	7 3/8	1 5/8	13 5/8	6 1/2	9
215T		901792	13 3/8	52 1/2	17 1/4	44	14	15	26	6 3/8	2 1/4	7 3/8	1 5/8	13 3/8	6 1/2	9
254T		901793	16 3/8	56 3/8	20 3/8	50 1/2	16 3/8	22	33	8 5/8	3	8 1/8	2	14 3/8	5 1/2	8
256T		901793	16 3/8	58 1/8	20 3/8	50 1/2	16 3/8	22	33	8 5/8	3	8 1/8	2	14 3/8	5 1/2	8
284T		901793	18	60 3/8	20 3/8	50 1/2	16 3/8	22	33	8 5/8	3	8 1/8	2	14 3/8	5 1/2	8
286T		901793	18	61 7/8	20 3/8	50 1/2	16 3/8	22	33	8 5/8	3	8 1/8	2	14 3/8	5 1/2	8



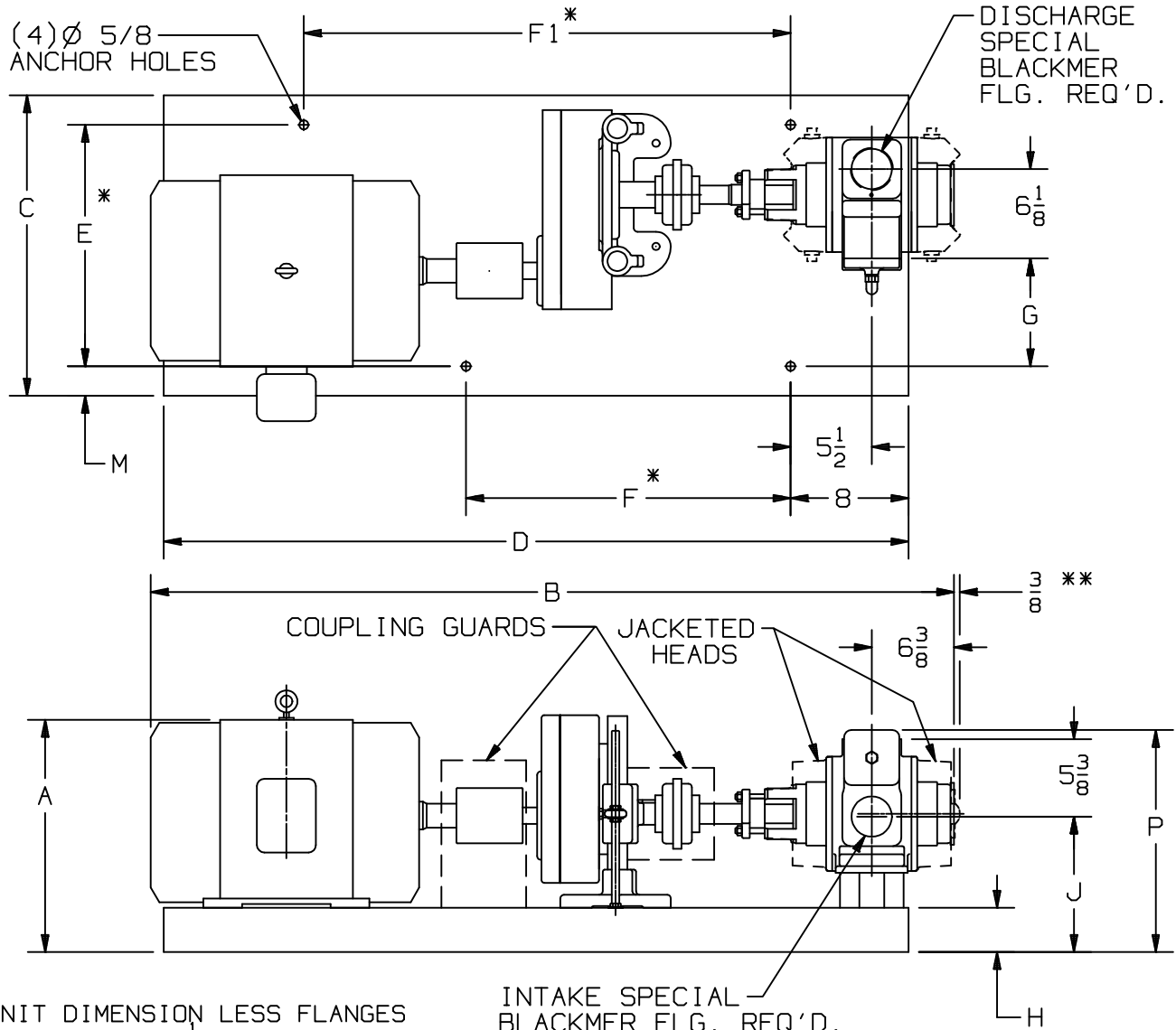
www.blackmer.com

TYPE	SIZE	UNIT STYLE
NP	2.5	HRB

DIMENSIONS 103-107

Section	103
Effective	Sept 2023
Replaces	Nov 2001
Page	5/6

RIGHT HAND ROTATION SHOWN



UNIT DIMENSION LESS FLANGES

* TOLERANCE $\pm \frac{1}{8}$

TOLERANCE ON OTHER DIMENSIONS $\pm \frac{1}{4}$

"A" DIMENSION LESS EYEBOLT

** FOR JACKETED HEADS

INTAKE SPECIAL BLACKMER FLG. REQ'D.

FLG. HT: 2 1/2" NPT - 1 1/4
2 1/2" WELD - 1 1/4

MOTOR			BASE NO.	DIMENSIONS												
FRAME SIZE				UNITS	A	B	C	D	E	F	F1	G	H	J	M	P
182T			901704		12 7/8	49 3/8	17 1/4	44	14	15	26	5 1/8	2 1/4	8 3/8	1 5/8	14 5/8
184T			901704		12 7/8	50 5/8	17 1/4	44	14	15	26	5 1/8	2 1/4	8 3/8	1 5/8	14 5/8
213T			901705		13 5/8	52 7/8	17 1/4	44	14	15	26	5 1/8	2 1/4	8 3/8	1 5/8	14 5/8
215T			901705		13 5/8	53 1/2	17 1/4	44	14	15	26	5 1/8	2 1/4	8 3/8	1 5/8	14 5/8
254T			901706		16 3/8	57 1/4	20 3/8	50 1/2	16 3/8	22	33	7 3/8	3	9 1/8	2	15 3/8
256T			901706		16 3/8	59	20 3/8	50 1/2	16 3/8	22	33	7 3/8	3	9 1/8	2	15 3/8

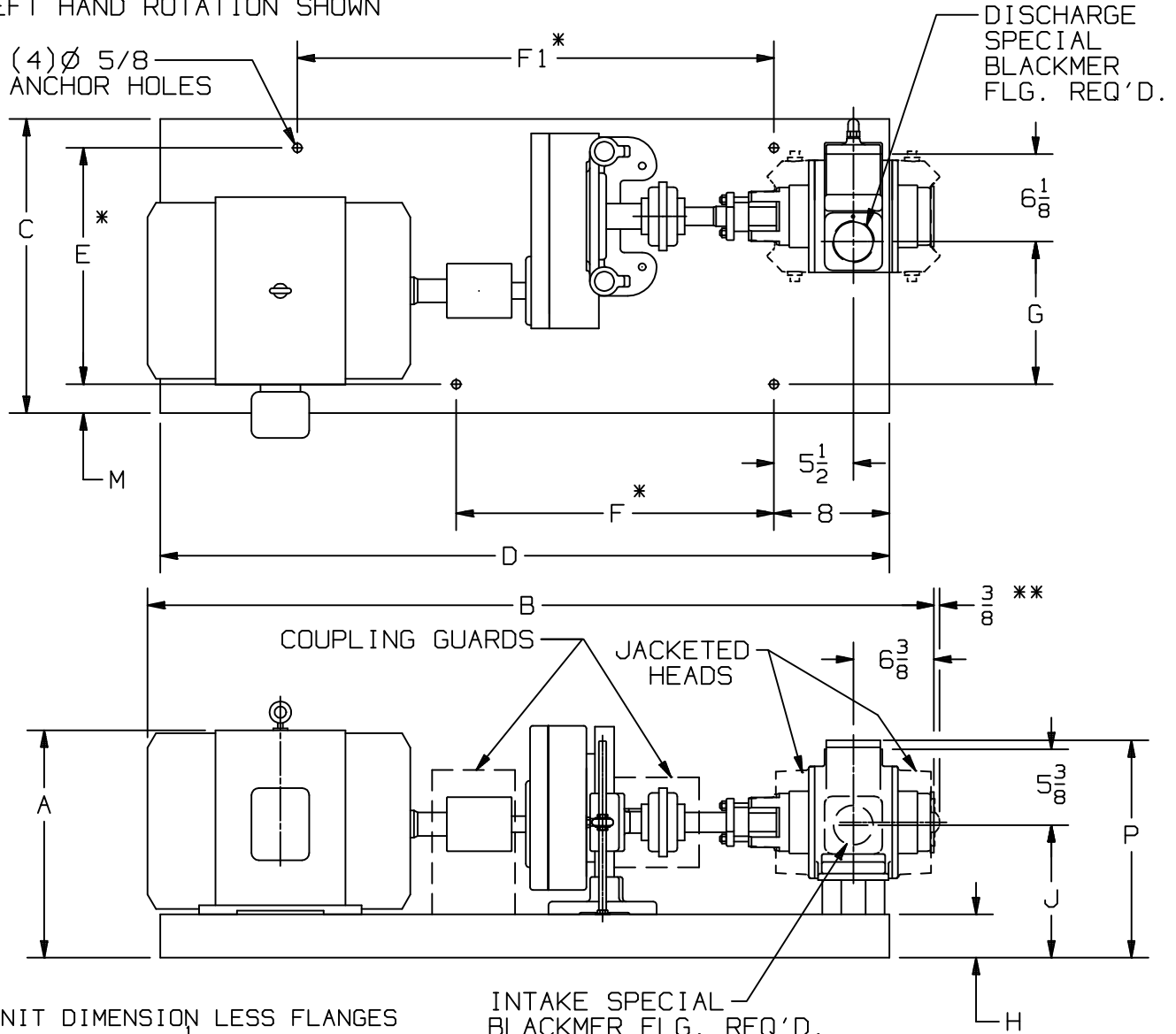
DIMENSIONS 103-107

Section 103
 Effective Sept 2023
 Replaces Nov 2001
 Page 6/6

TYPE	SIZE	UNIT STYLE
NP	2.5	HRB



LEFT HAND ROTATION SHOWN



UNIT DIMENSION LESS FLANGES
 * TOLERANCE $\pm \frac{1}{8}$
 TOLERANCE ON OTHER DIMENSIONS $\pm \frac{1}{4}$
 "A" DIMENSION LESS EYEBOLT
 ** FOR JACKETED HEADS

FLG. HT: 2 1/2" NPT - 1 1/4
 2 1/2" WELD - 1 1/4

MOTOR			BASE NO.	DIMENSIONS												
FRAME SIZE				UNITS	A	B	C	D	E	F	F1	G	H	J	M	P
182T			901704		12 7/8	49 3/8	17 1/4	44	14	15	26	7 3/4	2 1/4	8 3/8	1 5/8	14 5/8
184T			901704		12 7/8	50 5/8	17 1/4	44	14	15	26	7 3/4	2 1/4	8 3/8	1 5/8	14 5/8
213T			901705		13 5/8	52 7/8	17 1/4	44	14	15	26	7 3/4	2 1/4	8 3/8	1 5/8	14 5/8
215T			901705		13 5/8	53 1/2	17 1/4	44	14	15	26	7 3/4	2 1/4	8 3/8	1 5/8	14 5/8
254T			901706		16 3/8	57 1/4	20 3/8	50 1/2	16 3/8	22	33	9 7/8	3	9 1/8	2	15 3/8
256T			901706		16 3/8	59	20 3/8	50 1/2	16 3/8	22	33	9 7/8	3	9 1/8	2	15 3/8