

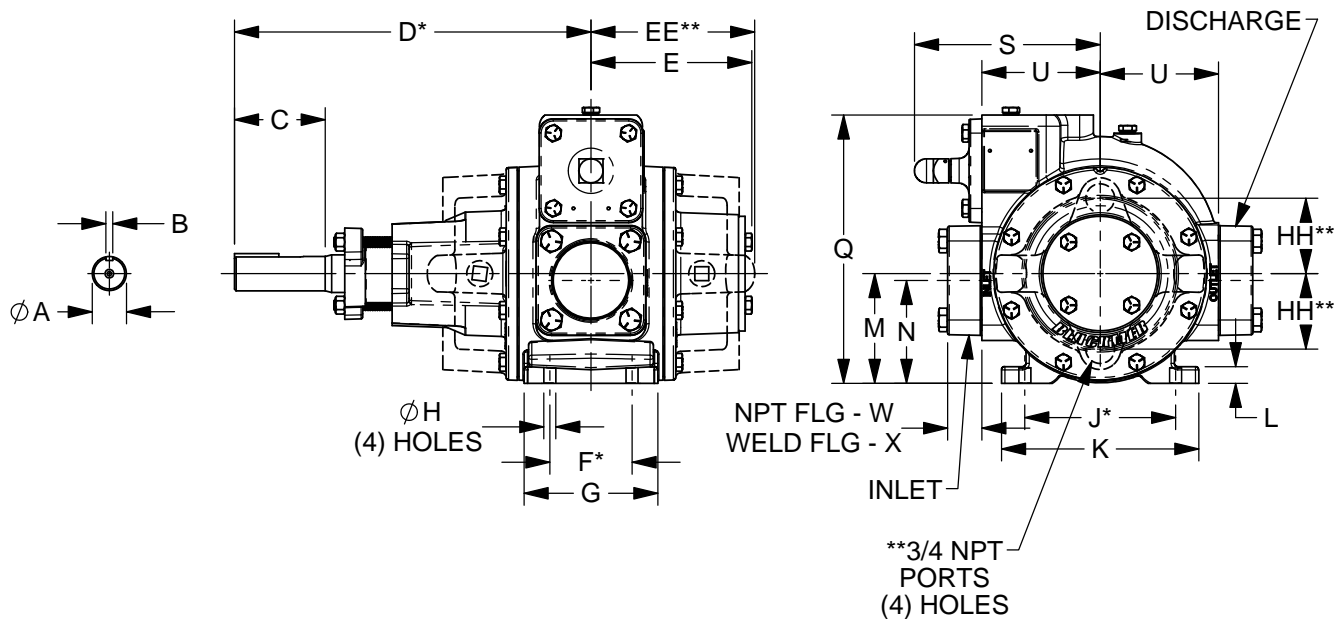


TYPE	SIZE	UNIT STYLE	DIMENSIONS 103-108	
NPH	2.5	PO	Section	103
			Effective	OCTOBER 2023
			Replaces	OCTOBER 2015
			Page 1 / 7	

RIGHT HAND ROTATION SHOWN. FOR LEFT HAND ROTATION, SHAFT PROJECTION IS OPPOSITE OF VIEW SHOWN.

\*TOLERANCE  $\pm 1/8"$

TOLERANCE ON OTHER DIMENSIONS  $\pm 1/4"$



\*\* OPTIONAL STEAM JACKET ONLY

"Q" DIMENSION LESS PUMP EYEBOLT

NOTE: FOR ANSI FLANGE DIMENSIONS, SEE DIMENSIONS SHEET 103-115.

DIMENSIONS											WEIGHTS		
UNITS	A	B	C	D	E	F	G	H	J	K	UNITS	PUMP ONLY	PUMP W/ JACKETED HEADS
IN	1 1/4	1/4	3 5/16	13	5 7/8	3	4 7/8	7/16	5 1/2	7 3/16	LBS	92	96
MM	---	---	84,1	330,2	149,2	76,2	123,8	11,1	139,7	182,6	KG	42	44
	L	M	N	P	Q	R	S	T	U	V		NPT FLANGES	NPT FLANGES
IN	5/8	4	3 3/4	---	9 13/16	---	6 3/4	---	4 5/16	---	LBS	98	102
MM	15,9	101,6	95,3	---	249,2	---	171,5	---	109,5	---	KG	44	46
	W	X	Y	Z	AA	BB	CC	DD	EE	FF		WELD FLANGES	WELD FLANGES
IN	1 1/4	1 1/4	---	---	---	---	---	---	6	---	LBS	97	101
MM	31,8	31,8	---	---	---	---	---	---	152,4	---	KG	44	46
	GG	HH	JJ	KK	LL	MM						ANSI FLANGES	ANSI FLANGES
IN	---	2 3/4	---	---	---	---					LBS	122	126
MM	---	69,8	---	---	---	---					KG	55	57



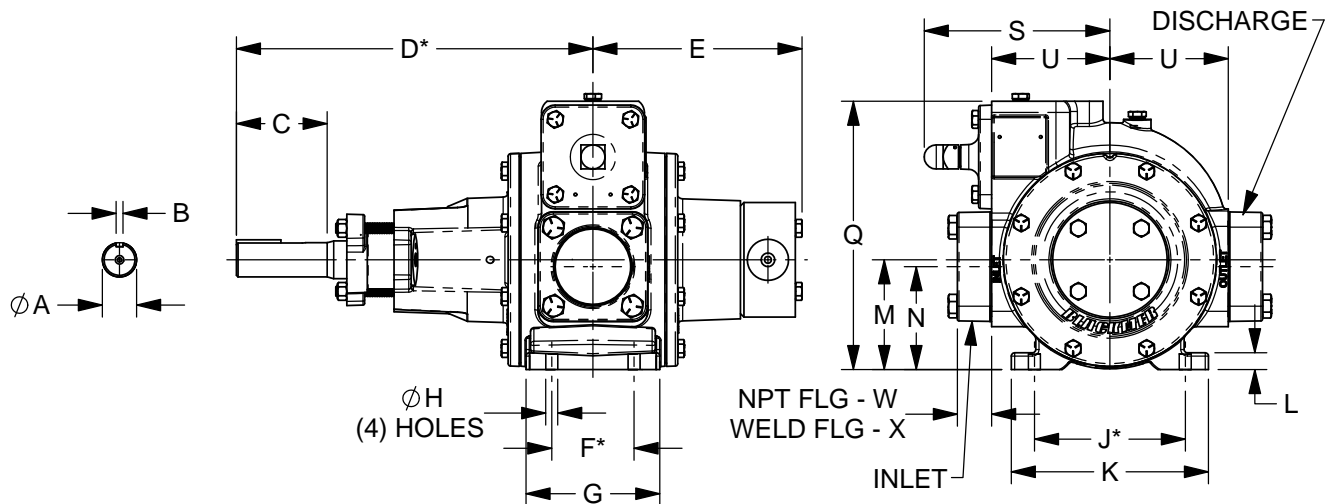
TYPE	SIZE	UNIT STYLE
<b>NPH</b>	<b>2.5</b>	<b>PO</b>

DIMENSIONS 103-108	
Section Effective Replaces Page 2 / 7	103 OCTOBER 2023 OCTOBER 2015

RIGHT HAND ROTATION SHOWN. FOR LEFT HAND ROTATION, SHAFT PROJECTION IS OPPOSITE OF VIEW SHOWN.

\*TOLERANCE  $\pm 1/8$ "

TOLERANCE ON OTHER DIMENSIONS  $\pm 1/4$ "



ELECTRIC HEATER OPTION SHOWN

"Q" DIMENSION LESS PUMP EYEBOLT

NOTE: FOR ANSI FLANGE DIMENSIONS, SEE DIMENSIONS SHEET 103-115.

DIMENSIONS											WEIGHTS	
UNITS	A	B	C	D	E	F	G	H	J	K	UNITS	PUMP ONLY
IN	1 1/4	1/4	3 5/16	13	7 5/8	3	4 7/8	7/16	5 1/2	3/16	LBS	97
MM	---	---	84,1	330,2	193,7	76,2	123,8	11,1	139,7	182,6	KG	44
	L	M	N	P	Q	R	S	T	U	V		NPT FLANGES
IN	5/8	4	3 3/4	---	9 13/16	---	6 3/4	---	4 5/16	---	LBS	103
MM	15,9	101,6	95,3	---	249,2	---	171,5	---	109,5	---	KG	47
	W	X	Y	Z	AA	BB	CC	DD	EE	FF		WELD FLANGES
IN	1 1/4	1 1/4	---	---	---	---	---	---	---	---	LBS	102
MM	31,8	31,8	---	---	---	---	---	---	---	---	KG	46
	GG	HH	JJ	KK	LL	MM						ANSI FLANGES
IN	---	---	---	---	---	---					LBS	127
MM	---	---	---	---	---	---					KG	58



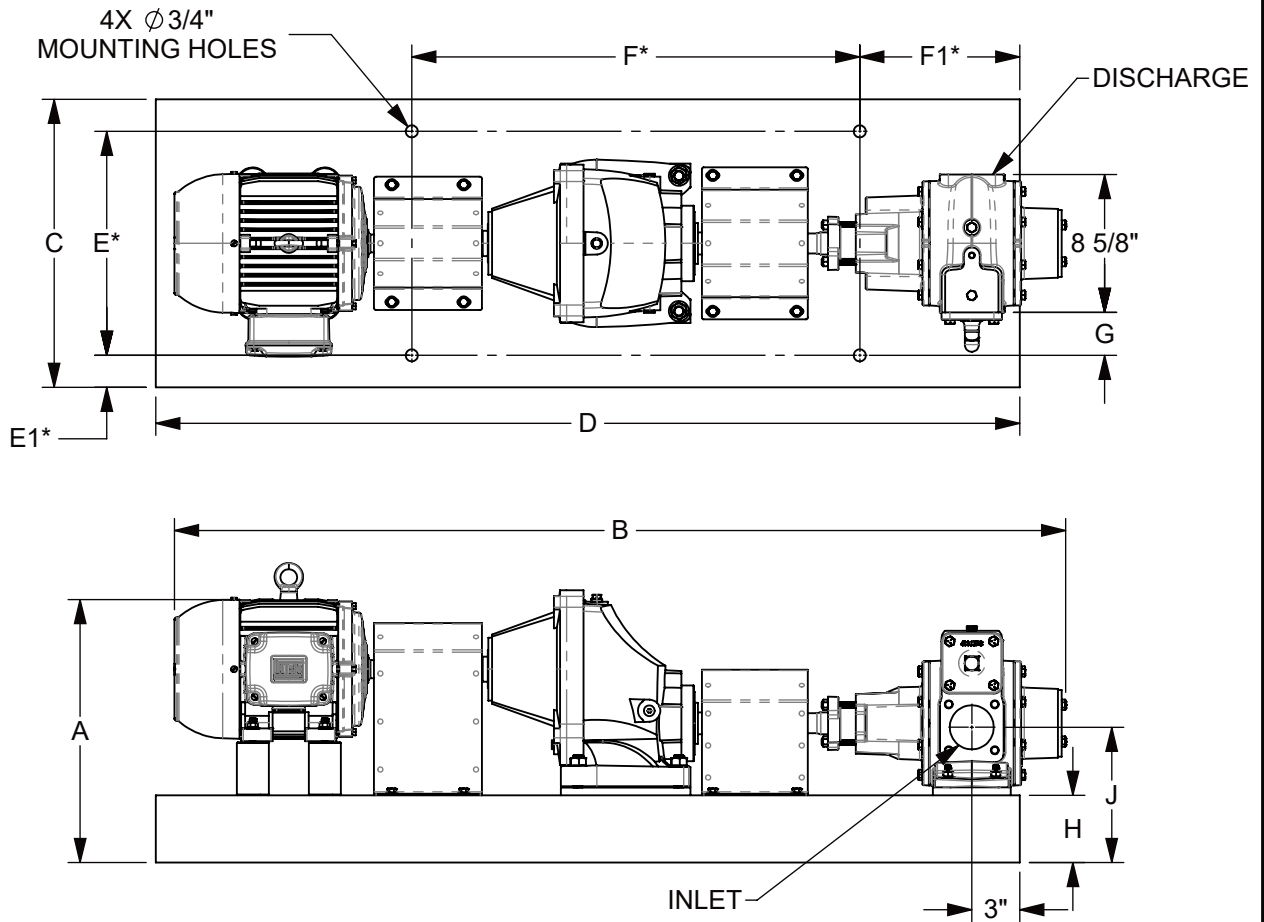
TYPE	SIZE	UNIT STYLE
NP(H)	2.5F	SK871

DIMENSIONS 103-108	
Section Effective	103 OCTOBER 2023
Replaces	NEW
Page	3 / 7

RIGHT HAND ROTATION SHOWN.

\*TOLERANCE  $\pm 1/8"$

TOLERANCE ON OTHER DIMENSIONS  $\pm 1/4"$



"A" DIMENSION LESS MOTOR EYEBOLT

MOTOR			BASE NO.	DIMENSIONS											APPROX. UNIT WT. - POUNDS	
FRAME SIZE	H.P.	RPM		A	B	C	D	E	E1	F	F1	G	H	J	LESS MOTOR	INCL MOTOR
182T	3	1800	901429	16 7/16	55 11/16	18	54	14	2	28	10	2 11/16	4 3/16	8 7/16	481	571
184T	5	1800	901429	16 7/16	56 3/4	18	54	14	2	28	10	2 11/16	4 3/16	8 7/16	481	578
213T	7 1/2	1800	901437	17 1/8	58 3/8	18	54	14	2	30	10	2 11/16	4 3/16	8 7/16	483	641
215T	10	1800	901437	17 1/8	59 7/8	18	54	14	2	30	10	2 11/16	4 3/16	8 7/16	483	660
254T	15	1800	901445	18 1/4	63 3/4	18	60	14	2	30 1/2	12	2 11/16	4 3/16	8 7/16	511	785
256T	20	1800	901445	18 1/4	65 1/2	18	60	14	2	30 1/2	12	2 11/16	4 3/16	8 7/16	511	846
284T	25	1800	901449	19 1/8	67 3/8	18	64	15	1 1/2	28 1/2	15	3 1/4	4 1/4	8 1/2	530	916
286T	30	1800	901449	19 1/8	68 7/8	18	64	15	1 1/2	28 1/2	15	3 1/4	4 1/4	8 1/2	530	971



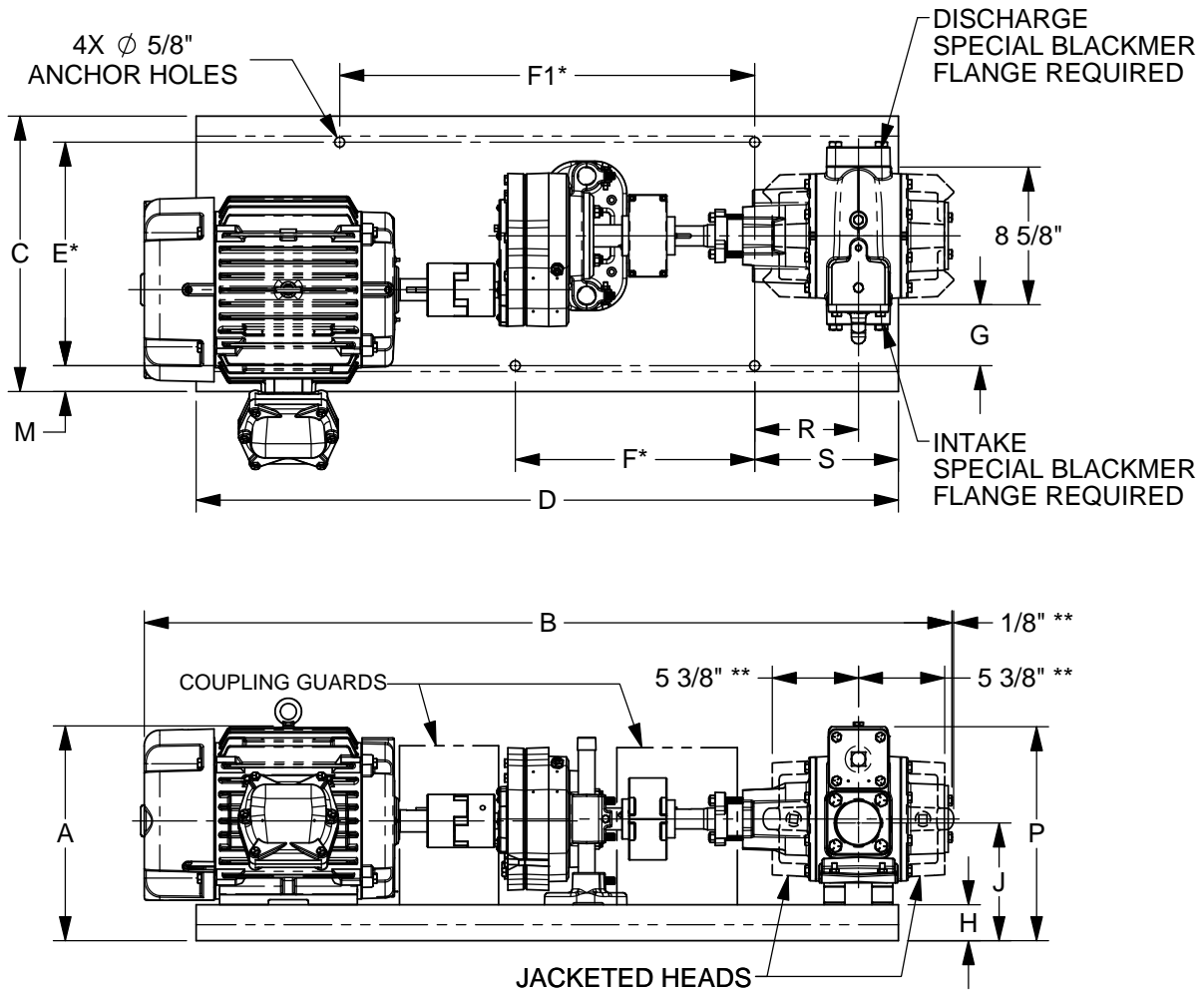
TYPE	SIZE	UNIT STYLE
NPH	2.5	HRA

DIMENSIONS 103-108	
Section Effective	103 OCTOBER 2023
Replaces	OCTOBER 2015
Page	4 / 7

RIGHT HAND ROTATION SHOWN.

\*TOLERANCE  $\pm 1/8"$

TOLERANCE ON OTHER DIMENSIONS  $\pm 1/4"$



\*\* OPTIONAL STEAM JACKET ONLY

"A" DIMENSION LESS MOTOR EYEBOLT

FLANGE HEIGHT 2 1/2" NPT - 1 1/4"  
2 1/2" WELD - 1 1/4"

MOTOR			BASE NO.	DIMENSIONS														APPROX. UNIT WT. - POUNDS	
FRAME SIZE	H.P.	RPM		A	B	C	D	E	F	F1	G	H	J	M	P	R	S	LESS MOTOR	INCL MOTOR
182T	3	1800	901792	11 3/4	47 7/16	17 1/4	44	14	15	26	3 7/8	2 1/4	7 3/8	1 5/8	13 7/16	6 1/2	9	283	404
184T	5	1800	901792	11 3/4	47 7/16	17 1/4	44	14	15	26	3 7/8	2 1/4	7 3/8	1 5/8	13 7/16	6 1/2	9	283	411
213T	7 1/2	1800	901792	13 1/2	50 11/16	17 1/4	44	14	15	26	3 7/8	2 1/4	7 3/8	1 5/8	13 7/16	6 1/2	9	283	516
215T	10	1800	901792	13 1/2	50 11/16	17 1/4	44	14	15	26	3 7/8	2 1/4	7 3/8	1 5/8	13 7/16	6 1/2	9	283	534
254T	15	1800	901793	17 1/8	56 7/16	20 3/8	50 1/2	16 3/8	22	33	6 1/8	3	8 1/8	2	14 3/16	5 1/2	8	369	689
256T	20	1800	901793	17 1/8	56 7/16	20 3/8	50 1/2	16 3/8	22	33	6 1/8	3	8 1/8	2	14 3/16	5 1/2	8	369	732
284T	25	1800	901793	18 3/4	59	20 3/8	50 1/2	16 3/8	22	33	6 1/8	3	8 1/8	2	14 3/16	5 1/2	8	379	811
286T	30	1800	901793	18 3/4	59	20 3/8	50 1/2	16 3/8	22	33	6 1/8	3	8 1/8	2	14 3/16	5 1/2	8	379	879

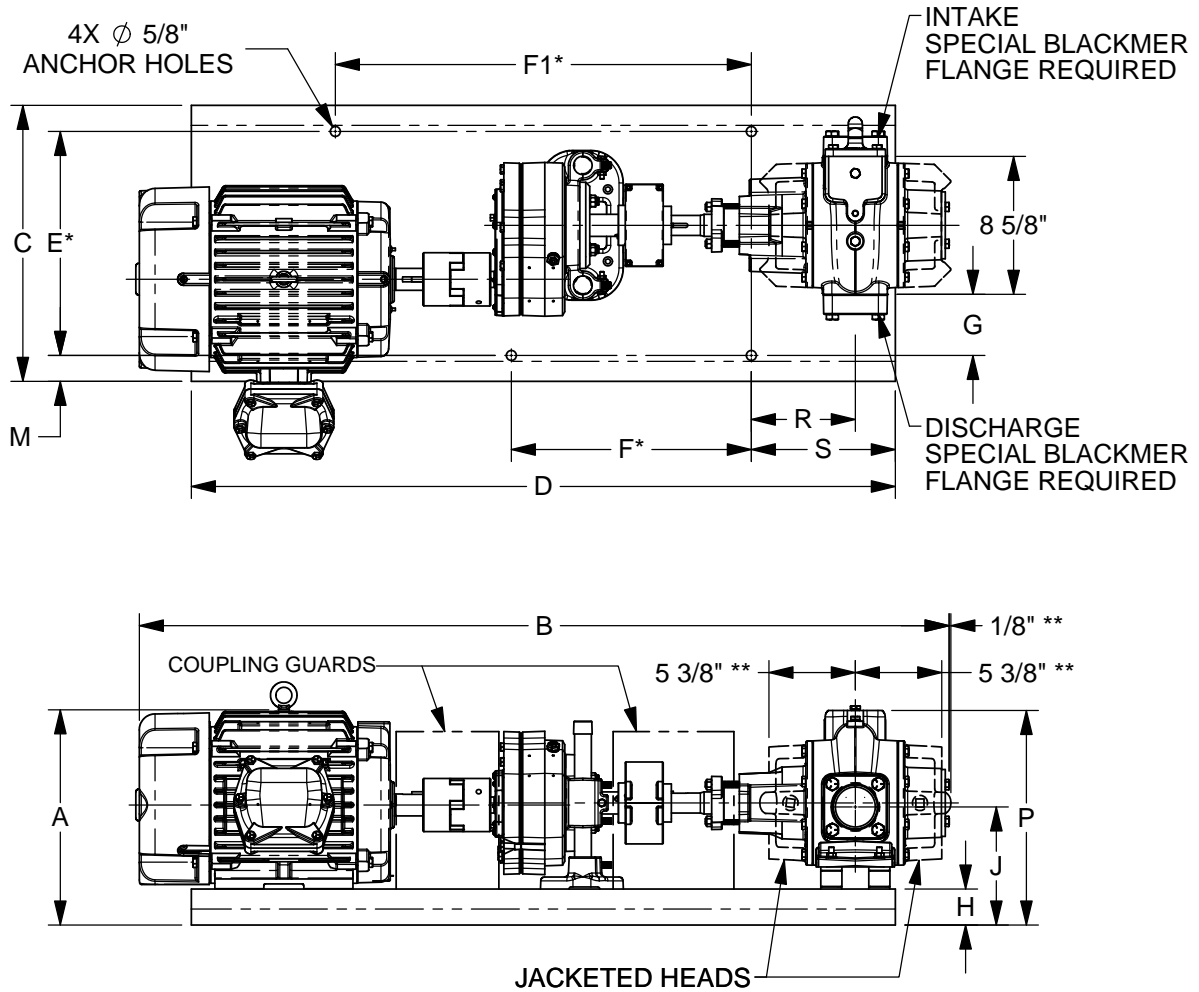


TYPE	SIZE	UNIT STYLE	DIMENSIONS 103-108	
	NPH	2.5	HRA	Section Effective Replaces Page 5 / 7
			103	OCTOBER 2023
				OCTOBER 2015

LEFT HAND ROTATION SHOWN.

\*TOLERANCE  $\pm 1/8"$

TOLERANCE ON OTHER DIMENSIONS  $\pm 1/4"$



\*\* OPTIONAL STEAM JACKET ONLY

"A" DIMENSION LESS MOTOR EYEBOLT

FLANGE HEIGHT 2 1/2" NPT - 1 1/4"  
2 1/2" WELD - 1 1/4"

MOTOR			BASE NO.	DIMENSIONS														APPROX. UNIT WT. - POUNDS	
FRAME SIZE	H.P.	RPM		A	B	C	D	E	F	F1	G	H	J	M	P	R	S	LESS MOTOR	INCL MOTOR
182T	3	1800	901792	11 3/4	47 7/16	17 1/4	44	14	15	26	3 7/8	2 1/4	7 3/8	1 5/8	13 7/16	6 1/2	9	283	404
184T	5	1800	901792	11 3/4	47 7/16	17 1/4	44	14	15	26	3 7/8	2 1/4	7 3/8	1 5/8	13 7/16	6 1/2	9	283	411
213T	7 1/2	1800	901792	13 1/2	50 11/16	17 1/4	44	14	15	26	3 7/8	2 1/4	7 3/8	1 5/8	13 7/16	6 1/2	9	283	516
215T	10	1800	901792	13 1/2	50 11/16	17 1/4	44	14	15	26	3 7/8	2 1/4	7 3/8	1 5/8	13 7/16	6 1/2	9	283	534
254T	15	1800	901793	17 1/8	56 7/16	20 3/8	50 1/2	16 3/8	22	33	6 1/8	3	8 1/8	2	14 3/16	5 1/2	8	369	689
256T	20	1800	901793	17 1/8	56 7/16	20 3/8	50 1/2	16 3/8	22	33	6 1/8	3	8 1/8	2	14 3/16	5 1/2	8	369	732
284T	25	1800	901793	18 3/4	59	20 3/8	50 1/2	16 3/8	22	33	6 1/8	3	8 1/8	2	14 3/16	5 1/2	8	379	811
286T	30	1800	901793	18 3/4	59	20 3/8	50 1/2	16 3/8	22	33	6 1/8	3	8 1/8	2	14 3/16	5 1/2	8	379	879



