

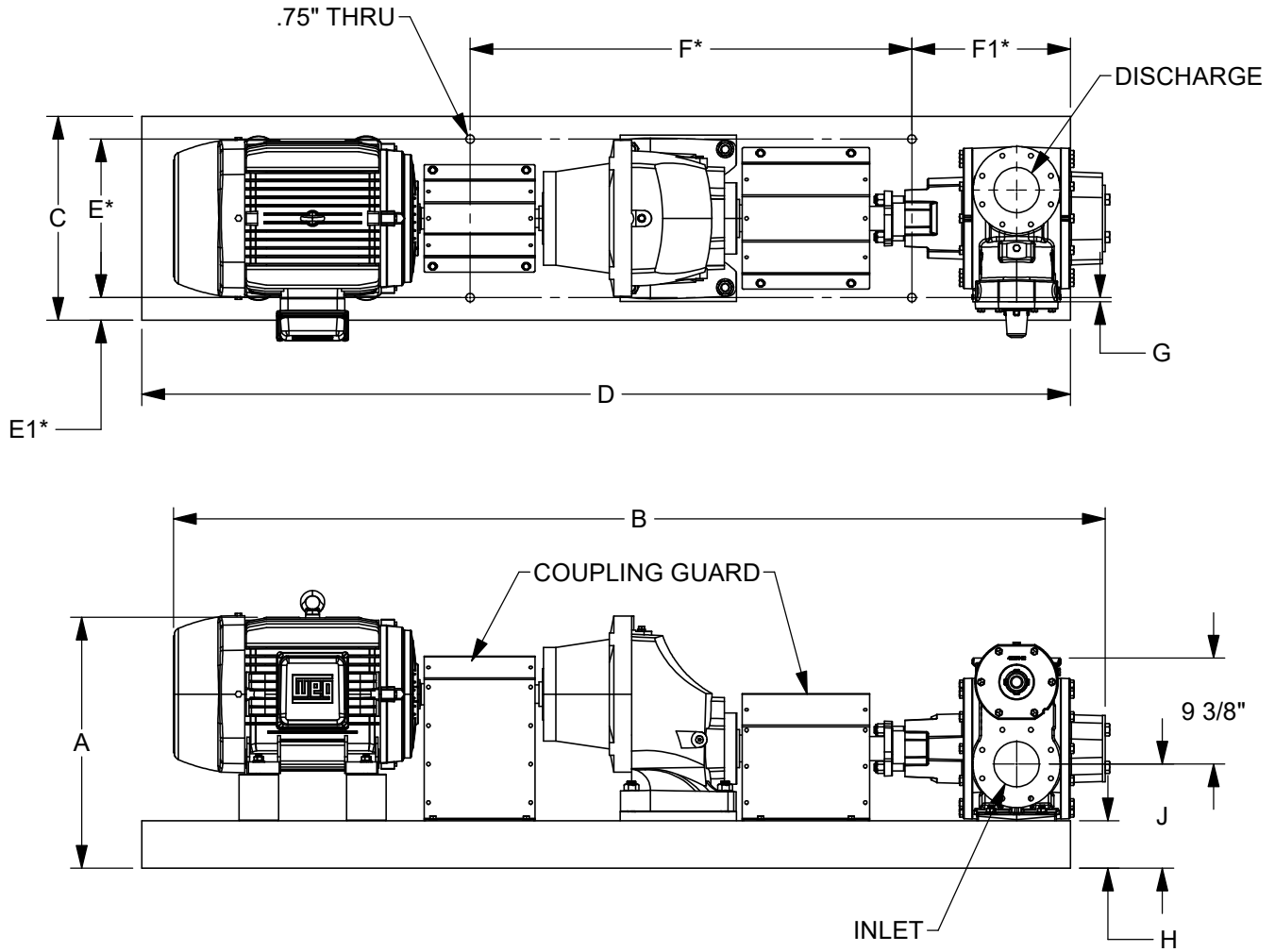


TYPE	NP	SIZE	4F	UNIT STYLE	SK1071	DIMENSIONS 103-111	
						Section Effective Replaces Page 2 / 4	103 SEP 2023 NEW

RIGHT HAND ROTATION SHOWN.

*TOLERANCE $\pm 1/8"$

TOLERANCE ON OTHER DIMENSIONS $\pm 1/4"$



"A" DIMENSION LESS MOTOR EYEBOLT

MOTOR			BASE NO.	DIMENSIONS											APPROX. UNIT WT. - POUNDS	
FRAME SIZE	H.P.	RPM		A	B	C	D	E	E1	F	F1	G	H	J	LESS MOTOR	INCL MOTOR
213T	7 1/2	1800	901439	20 1/2	73 3/16	18	72	14	2	39	10	3/8	4 3/16	9 3/16	1220	1370
215T	10	1800	901439	20 1/2	74 13/16	18	72	14	2	39	10	3/8	4 3/16	9 3/16	1220	1380
254T	15	1800	901447	21 1/2	78 7/16	18	82	14	2	41	15	3/8	4 3/16	9 3/16	1250	1480
256T	20	1800	901447	21 1/2	80 3/16	18	82	14	2	41	15	3/8	4 3/16	9 3/16	1250	1520
284T	25	1800	901451	22 5/16	82 1/4	18	82	14	2	39	14	3/8	4 3/16	9 3/16	1250	1650
286T	30	1800	901451	22 5/16	83 3/4	18	82	14	2	39	14	3/8	4 3/16	9 3/16	1250	1675
324T	40	1800	901452	23 1/8	85 3/8	18	82	14	2	40	15	3/8	4 3/16	9 3/16	1260	1730
326T	50	1800	901452	23 1/8	86 7/8	18	82	14	2	40	15	3/8	4 3/16	9 3/16	1260	1730



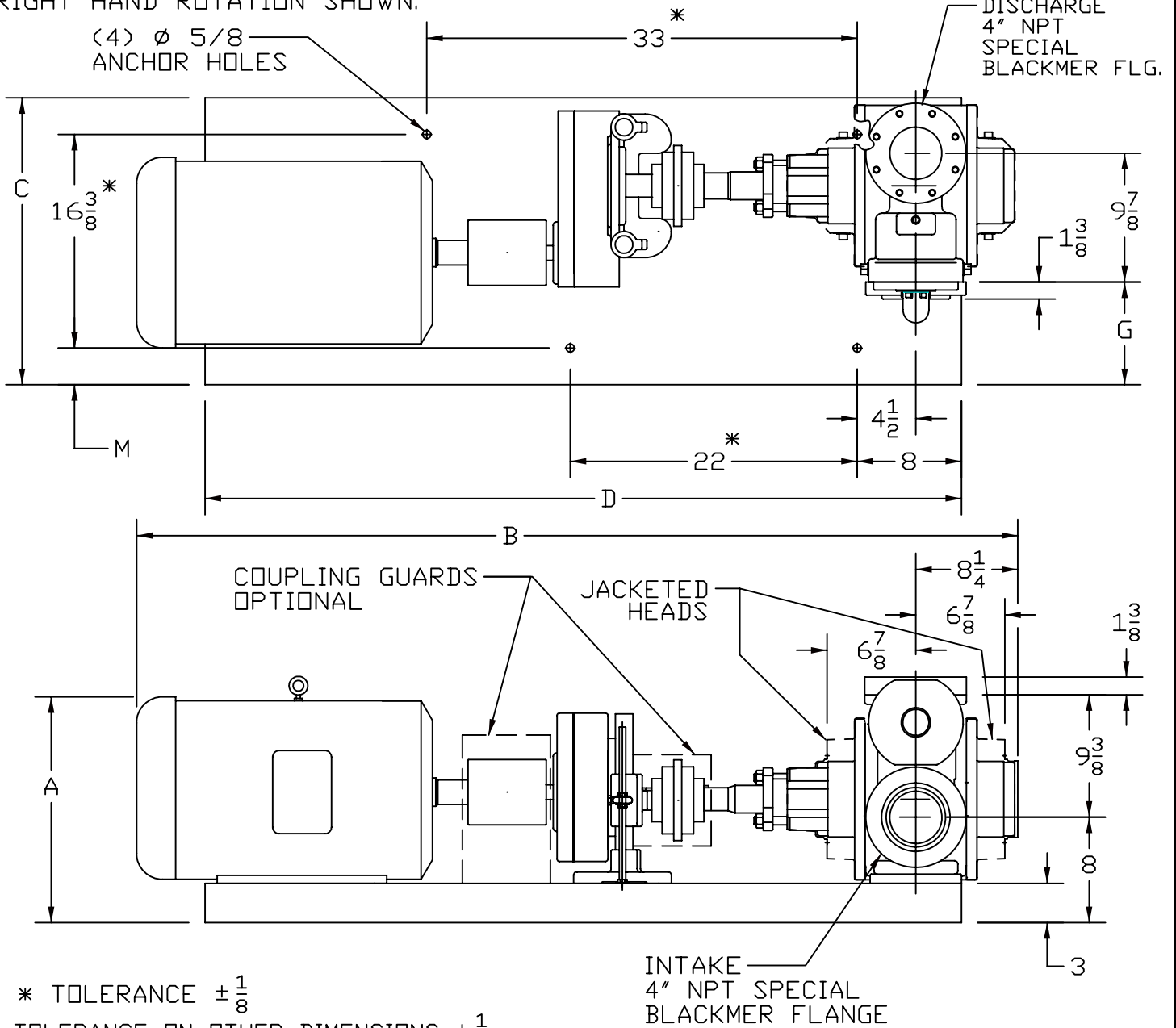
www.blackmer.com

TYPE	SIZE	UNIT STYLE
NP	4	HRB

DIMENSIONS 103-111

Section	103
Effective	Sept 2023
Replaces	Nov 2005
Page	3/4

RIGHT HAND ROTATION SHOWN.



* TOLERANCE $\pm \frac{1}{8}$
 TOLERANCE ON OTHER DIMENSIONS $\pm \frac{1}{4}$
 "A" DIMENSION LESS EYEBOLT

FRAME SIZE	MOTOR		BASE NO.	DIMENSIONS						APPROX. UNIT WT - POUNDS		
	H.P.	RPM		A	B	C	D	G	M	LESS MOTOR	ENCL MOTOR	
213T	7 1/2	1800	901661	14 1/8	58 1/4	20 3/8	50 1/2	4 1/4	2		570	725
215T	10	1800	901661	14 1/8	59 3/4	20 3/8	50 1/2	4 1/4	2		570	725
254T	15	1800	901662	16 1/8	63 1/4	22	58	5 1/16	2 13/16		645	880
256T	20	1800	901662	16 1/8	65 1/8	22	58	5 1/16	2 13/16		645	905
284T	25	1800	901663	17 5/8	67 1/8	22	58	5 1/16	2 13/16		645	1010
286T	30	1800	901663	17 5/8	68 5/8	22	58	5 1/16	2 13/16		645	1030
324T	30/25	1800/1200	901499	19 1/2	69 1/4	24	65	5 7/16	2		690	1170

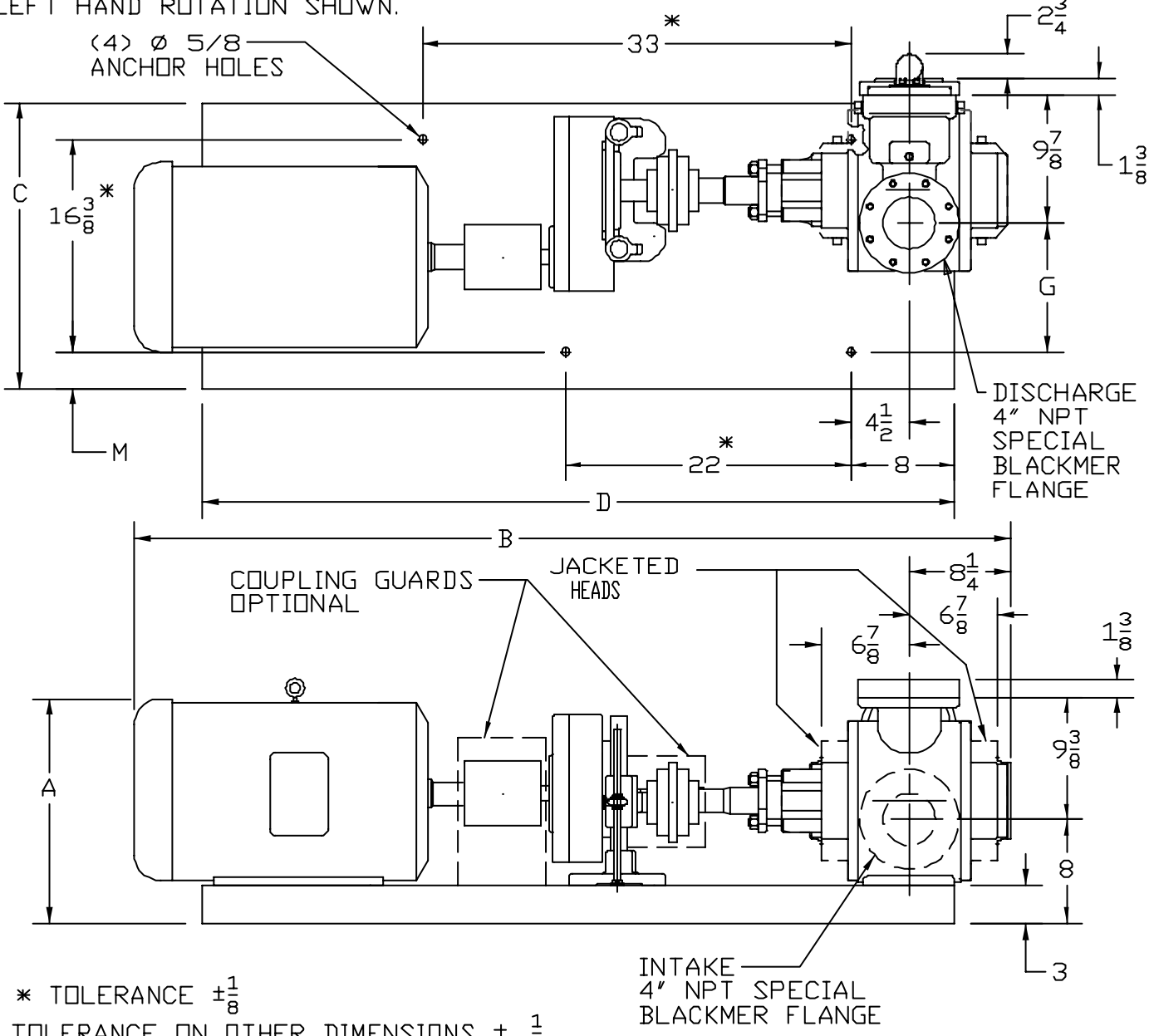
DIMENSIONS 103-111

Section 103
 Effective Sept 2023
 Replaces Nov 2005
 Page 4/4

TYPE	SIZE	UNIT STYLE
NP	4	HRB



LEFT HAND ROTATION SHOWN.



FRAME SIZE	MOTOR		BASE NO.	DIMENSIONS						APPROX. UNIT WT - POUNDS	
	H.P.	RPM		A	B	C	D	G	M	LESS MOTOR	ENCL MOTOR
213T	7 1/2	1800	901661	14 1/8	58 1/4	20 3/8	50 1/2	4 1/4	2	570	725
215T	10	1800	901661	14 1/8	59 3/4	20 3/8	50 1/2	9 1/8	2	570	725
254T	15	1800	901662	16 1/8	63 1/4	22	58	9 15/16	2 13/16	645	880
256T	20	1800	901662	16 1/8	65 1/8	22	58	9 15/16	2 13/16	645	905
284T	25	1800	901663	17 5/8	67 1/8	22	58	9 15/16	2 13/16	645	1010
286T	30	1800	901663	17 5/8	68 5/8	22	58	9 15/16	2 13/16	645	1030
324T	30/25	1800/1200	901499	19 1/2	69 1/4	24	65	10 5/16	2	690	1170