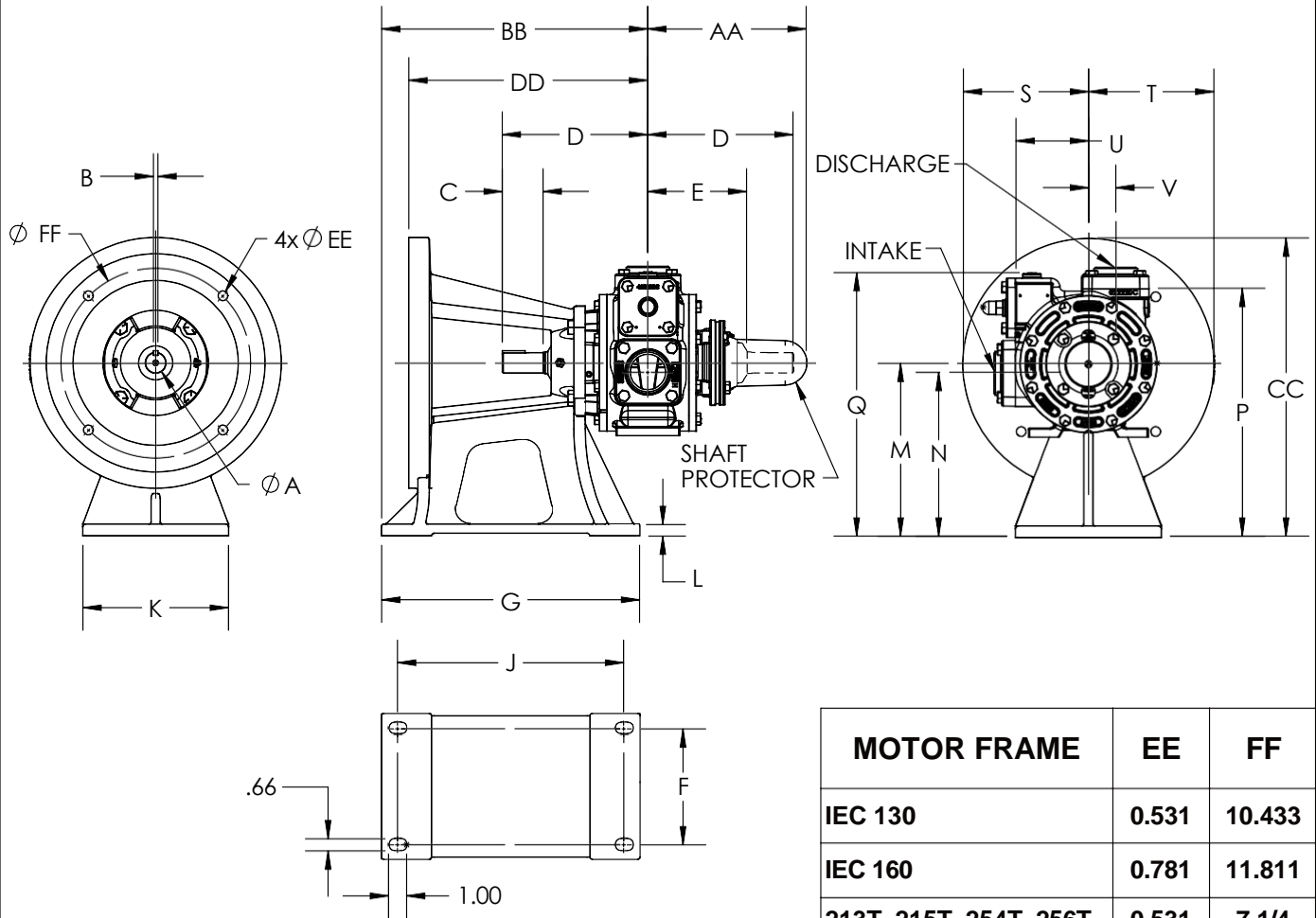




TYPE	SIZE	UNIT STYLE
SX1220	2	PO

DIMENSIONS 104-150	
Section Effective Replaces Page 1 / 1	104 Aug 2023 New

RIGHT HAND ROTATION. FOR LEFT HAND ROTATION, SHAFT PROJECTION IS OPPOSITE THAT SHOWN



DIMENSIONS											WEIGHTS	
UNITS	A	B	C	D	E	F	G	H	J	K	UNITS	PUMP ONLY
IN	1 1/8	1/4	2 1/4	8	5 7/16	6 3/8	14 1/4	---	12 1/2	8	LBS	143
MM	28,6	6,4	57,2	203,2	138,2	161,9	365	---	317,5	203,2	KG	65
	L	M	N	P	Q	R	S	T	U	V		W/ NPT FLANGES
IN	---	9 1/2	9	13 5/8	14 1/2	---	6 7/8	6 7/8	4	1 1/2	LBS	---
MM	---	241,3	228,6	346	368,3	---	175	175	101,6	38,1	KG	---
	W	X	Y	Z	AA	BB	CC	DD				W/ WELD FLANGES
IN	---	---	---	---	8 3/4	14 5/8	16 3/8	13 1/8			LBS	148
MM	---	---	---	---	222,25	371,9	416,3	333,7			KG	67
	GG	HH	JJ	KK	LL	MM						W/ ANSI FLANGES
IN	---	---	---	---	---	---					LBS	---
MM	---	---	---	---	---	---					KG	---