

DIMENSIONS 107-107

Section 107
 Effective SEPTEMBER 2023
 Replaces APRIL 2003
 Page 3 / 6

TYPE

SIZE

UNIT STYLE

XL

3

HRA

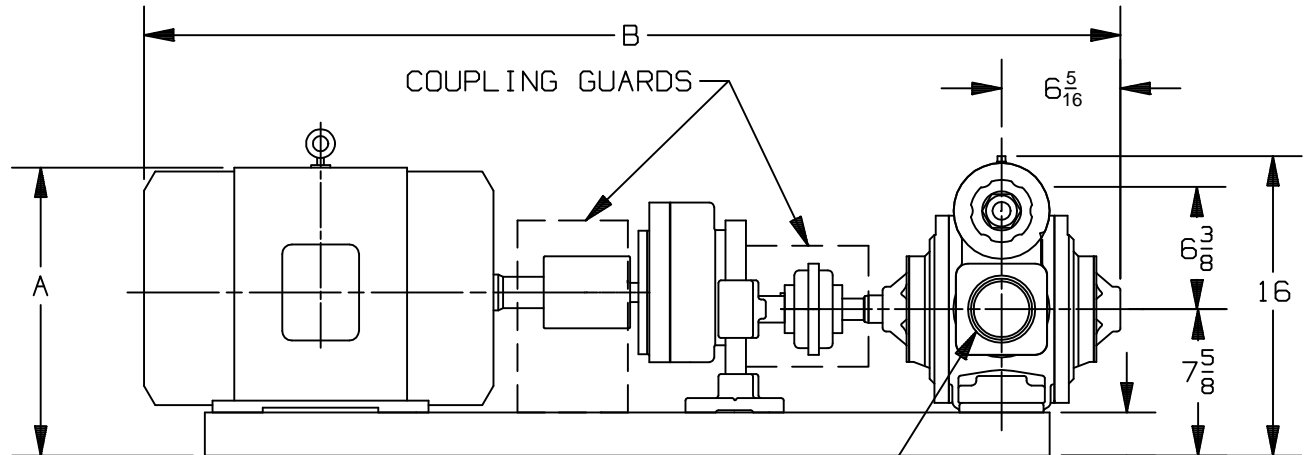
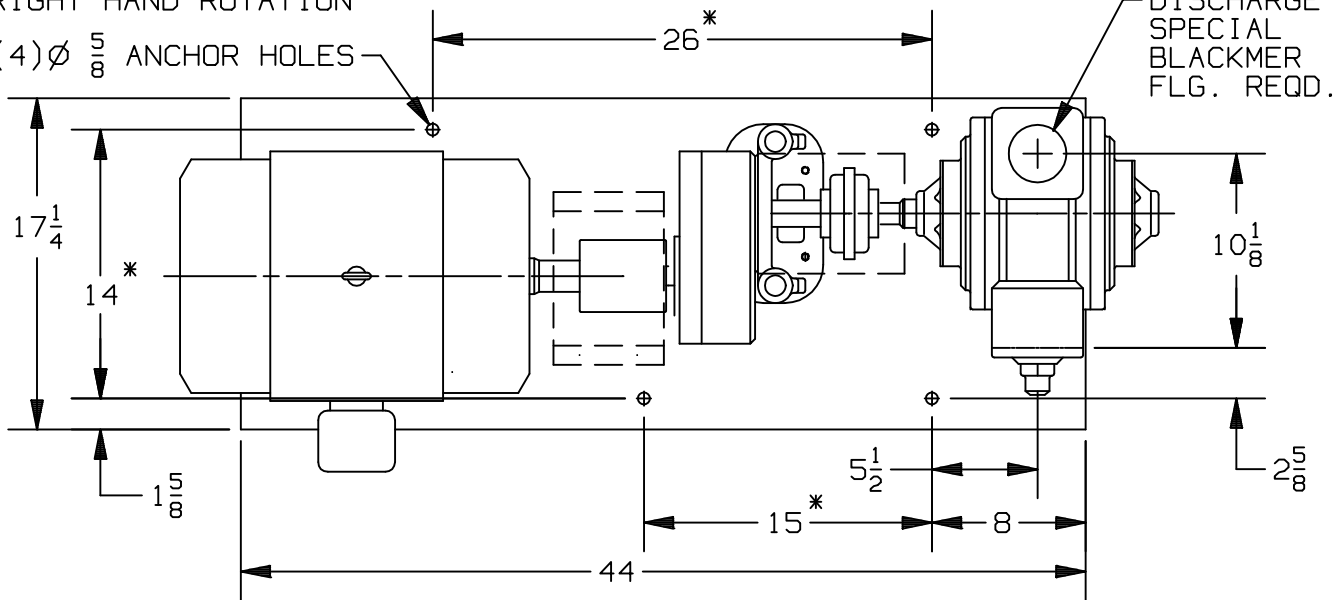


www.blackmer.com

RIGHT HAND ROTATION

(4) $\varnothing \frac{5}{8}$ ANCHOR HOLES

DISCHARGE SPECIAL BLACKMER FLG. REQD.



UNIT DIMENSION LESS FLANGES

* TOLERANCE $\pm \frac{1}{8}$

TOLERANCE ON OTHER DIMENSIONS $\pm \frac{1}{4}$

"A" DIMENSION LESS EYEBOLT

INTAKE SPECIAL BLACKMER FLG. REQD

FLG. HT: 3" NPT - 1 1/2
 3" WELD- 1 1/4

MOTOR			BASE NO.	DIMENSIONS		
FRAME SIZE		UNITS		A	B	
182T		901774	IN	11 7/8	48 3/4	
184T		901774	IN	11 7/8	48 3/4	
213T		901774	IN	13 3/8	48 3/4	
215T		901774	IN	13 3/8	49 3/8	
254T		901774	IN	15 5/8	53 1/4	
256T		901774	IN	15 5/8	55	

DIMENSIONS 107-107

Section 107
 Effective SEPTEMBER 2023
 Replaces APRIL 2003
 Page 4 / 6

TYPE

SIZE

UNIT
 STYLE

XL

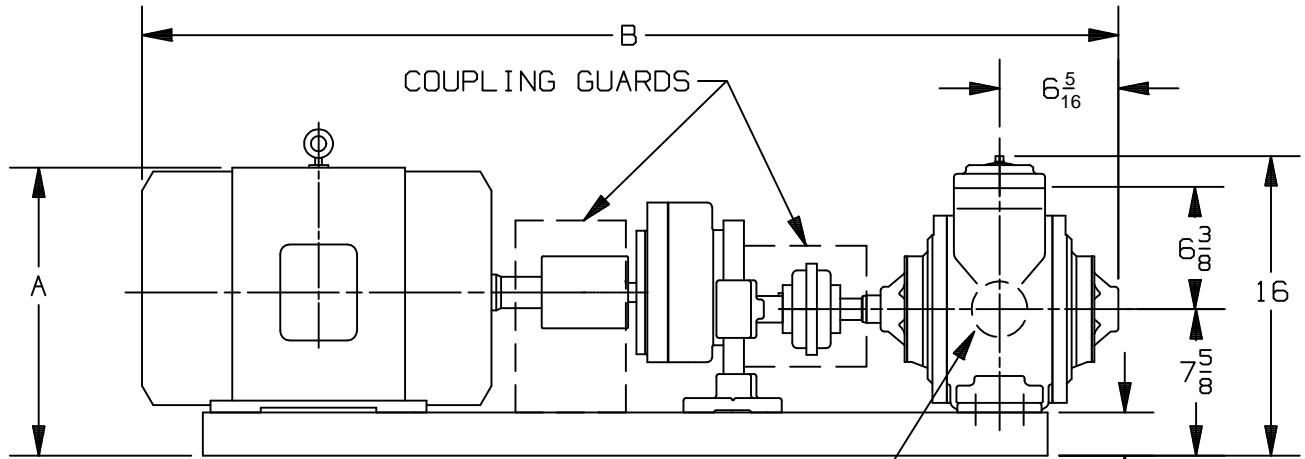
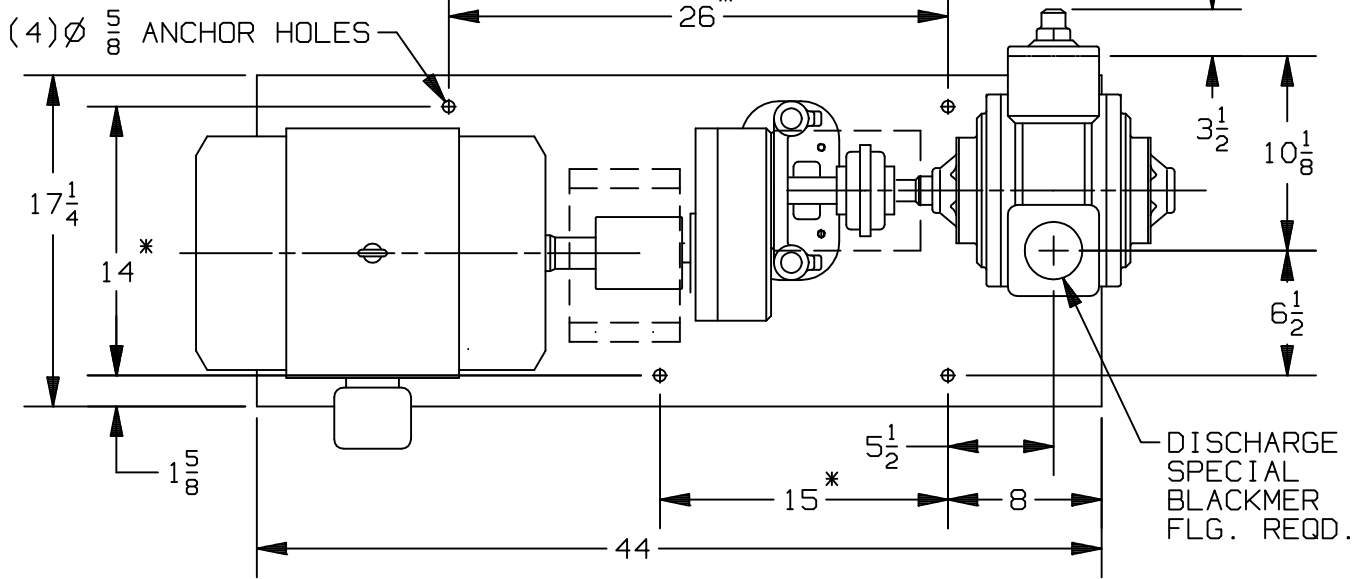
3

HRA



www.blackmer.com

LEFT HAND ROTATION



UNIT DIMENSION LESS FLANGES

* TOLERANCE $\pm \frac{1}{8}$

TOLERANCE ON OTHER DIMENSIONS $\pm \frac{1}{4}$

"A" DIMENSION LESS EYEBOLT

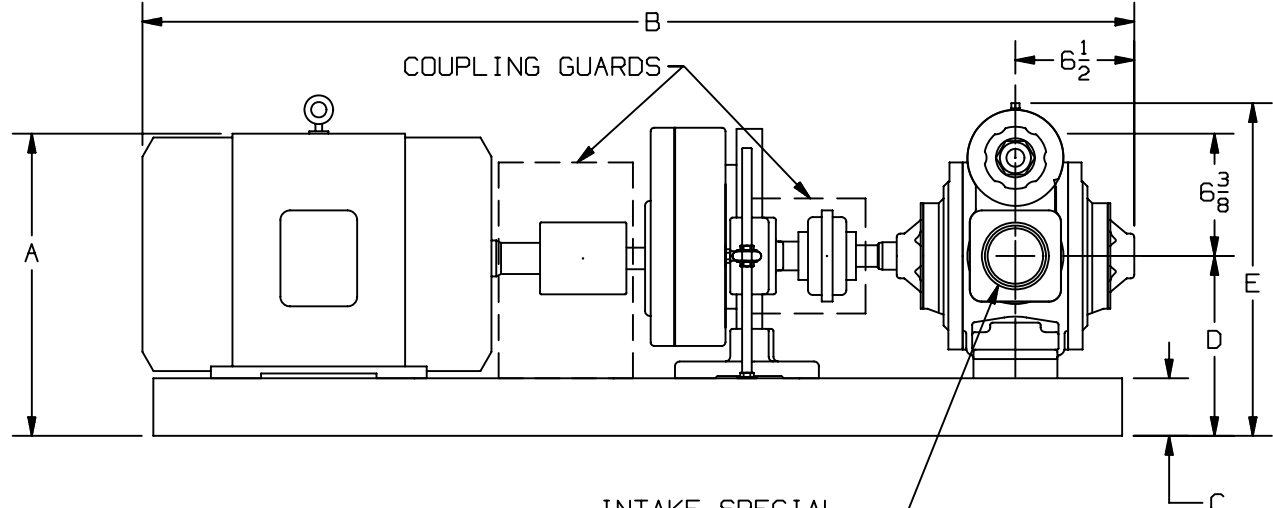
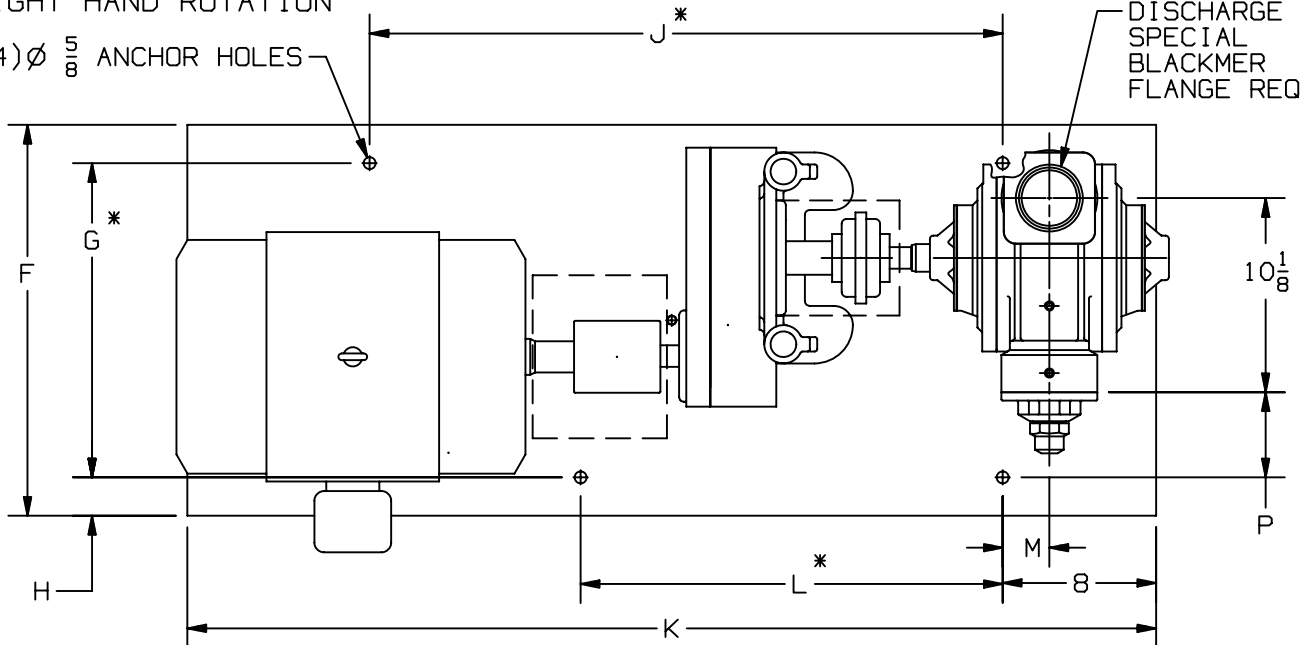
FLG. HT: 3" NPT - 1 1/2
 3" WELD- 1 1/4

MOTOR			BASE NO.	DIMENSIONS		
FRAME SIZE		UNITS		A	B	
182T		901774	IN	11 7/8	48 3/4	
184T		901774	IN	11 7/8	48 3/4	
213T		901774	IN	13 3/8	48 3/4	
215T		901774	IN	13 3/8	49 3/8	
254T		901774	IN	15 5/8	53 1/4	
256T		901774	IN	15 5/8	55	

RIGHT HAND ROTATION

(4) $\phi \frac{5}{8}$ ANCHOR HOLES

DISCHARGE SPECIAL BLACKMER FLANGE REQ'D



UNIT DIMENSION LESS FLANGES

* TOLERANCE $\pm \frac{1}{8}$

TOLERANCE ON OTHER DIMENSIONS $\pm \frac{1}{4}$

"A" DIMENSION LESS EYEBOLT

INTAKE SPECIAL BLACKMER FLANGE REQ'D

FLG. HT: 3" NPT - 1 1/2
3" WELD- 1 1/4

MOTOR			BASE NO.	DIMENSIONS													
FRAME SIZE				UNITS	A	B	C	D	E	F	G	H	J	K	L	M	P
182T			901772	IN	12 ⁷ / ₈	46 ¹ / ₈	2 1/4	8 5/8	17	17 1/4	14	1 5/8	26	44	15	2 3/8	2 5/8
184T			901772	IN	12 ⁷ / ₈	47 1/2	2 1/4	8 5/8	17	17 1/4	14	1 5/8	26	44	15	2 3/8	2 5/8
213T			901772	IN	13 ⁵ / ₈	49 1/2	2 1/4	8 5/8	17	17 1/4	14	1 5/8	26	44	15	2 3/8	2 5/8
215T			901772	IN	13 ⁵ / ₈	50 1/4	2 1/4	8 5/8	17	17 1/4	14	1 5/8	26	44	15	2 3/8	2 5/8
254T			901773	IN	16 ³ / ₈	54	3	9 3/8	17 3/4	20 3/8	16 3/8	2	33	50 1/2	22	2 1/2	4 1/2
256T			901773	IN	16 ³ / ₈	55 3/4	3	9 3/8	17 3/4	20 3/8	16 3/8	2	33	50 1/2	22	2 1/2	4 1/2

DIMENSIONS 107-107

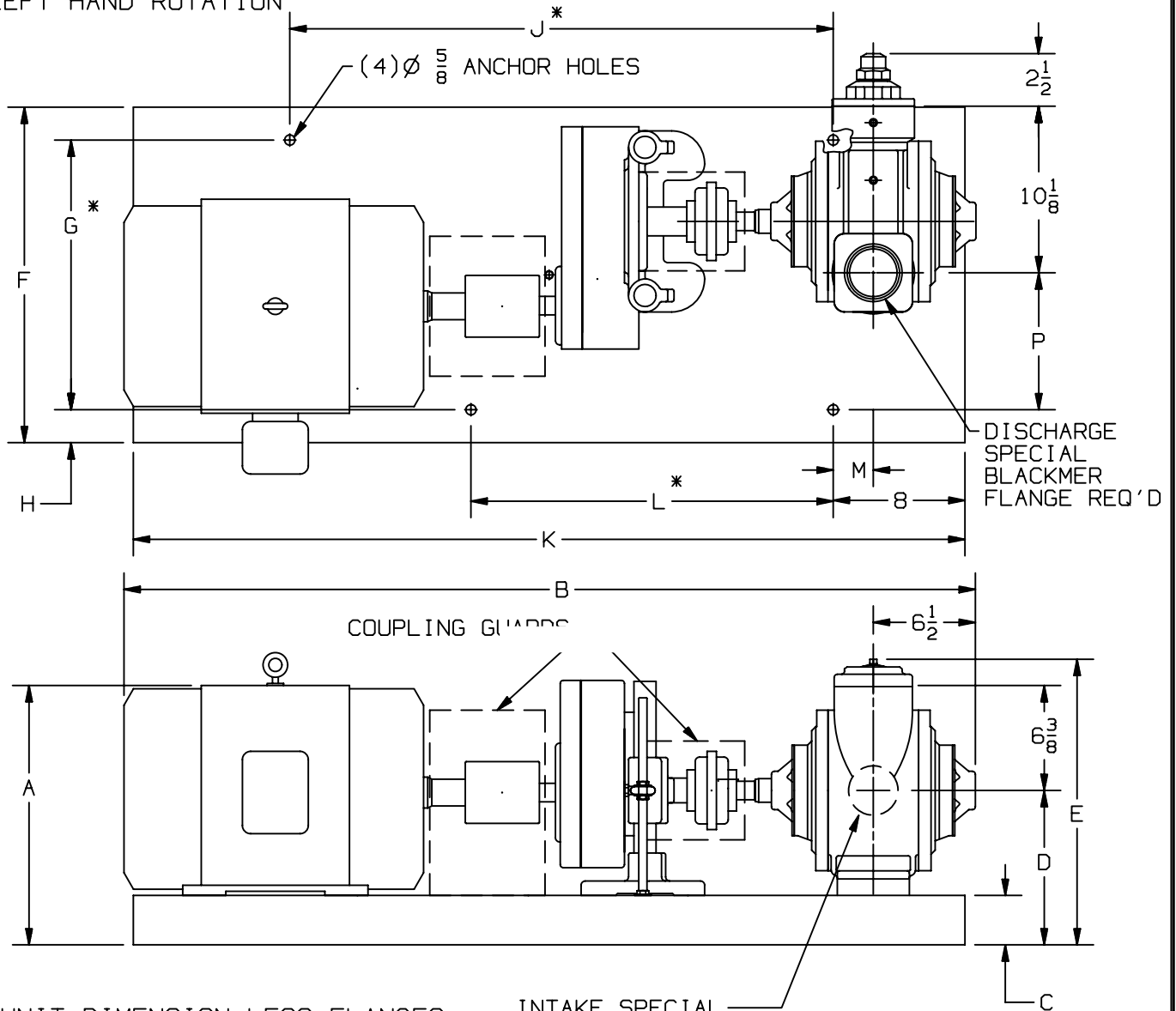
Section 107
 Effective SEPTEMBER 2023
 Replaces APRIL 2003
 Page 6 / 6

TYPE	SIZE	UNIT STYLE
XL	3	HRB



www.blackmer.com

LEFT HAND ROTATION



UNIT DIMENSION LESS FLANGES

* TOLERANCE $\pm \frac{1}{8}$

TOLERANCE ON OTHER DIMENSIONS $\pm \frac{1}{4}$

"A" DIMENSION LESS EYEBOLT

INTAKE SPECIAL BLACKMER FLANGE REQ'D

FLG. HT: 3" NPT - 1 1/2
 3" WELD- 1 1/4

MOTOR			BASE NO.	DIMENSIONS													
FRAME SIZE				UNITS	A	B	C	D	E	F	G	H	J	K	L	M	P
182T			901772	IN	12 ⁷ / ₈	46 ¹ / ₈	2 1/4	8 5/8	17	17 1/4	14	1 5/8	26	44	15	2 3/8	6 1/2
184T			901772	IN	12 ⁷ / ₈	47 1/2	2 1/4	8 5/8	17	17 1/4	14	1 5/8	26	44	15	2 3/8	6 1/2
213T			901772	IN	13 5/8	49 1/2	2 1/4	8 5/8	17	17 1/4	14	1 5/8	26	44	15	2 3/8	6 1/2
215T			901772	IN	13 5/8	50 1/4	2 1/4	8 5/8	17	17 1/4	14	1 5/8	26	44	15	2 3/8	6 1/2
254T			901773	IN	16 3/8	54	3	9 3/8	17 3/4	20 3/8	16 3/8	2	33	50 1/2	22	2 1/2	8 3/8
256T			901773	IN	16 3/8	55 3/4	3	9 3/8	17 3/4	20 3/8	16 3/8	2	33	50 1/2	22	2 1/2	8 3/8