

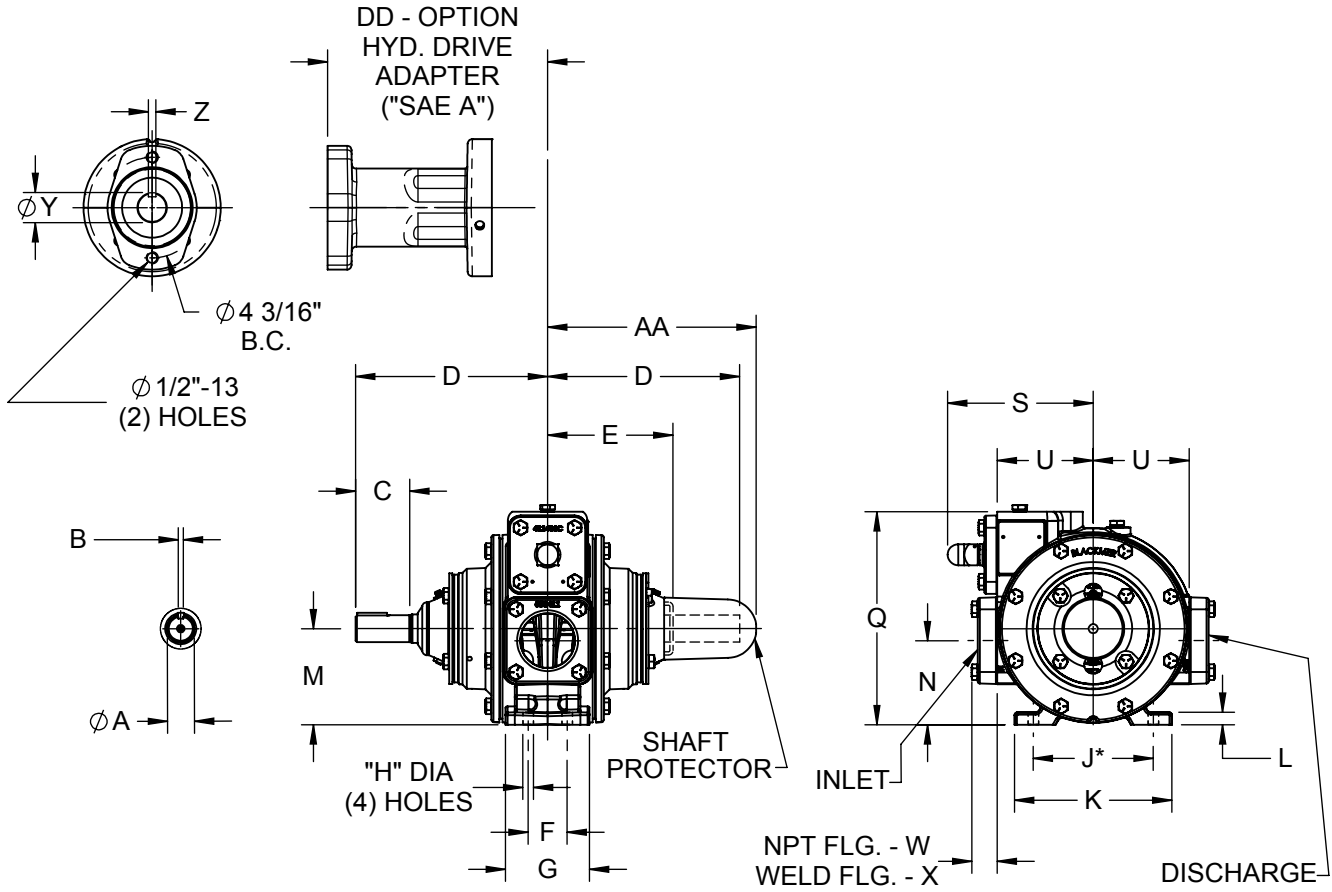


TYPE	SIZE	UNIT STYLE	DIMENSIONS 201-133	
TXDI INLINE	2A	PO	Section Effective Replaces Page 1 / 1	201 JULY 2016 NEW

RIGHT HAND ROTATION. FOR LEFT HAND ROTATION, SHAFT PROJECTION IS OPPOSITE THAT SHOWN.

*TOLERANCE $\pm 1/8"$

TOLERANCE ON OTHER DIMENSIONS $\pm 1/4"$



DIMENSIONS											WEIGHTS	
UNITS	A	B	C	D	E	F	G	H	J	K	UNITS	PUMP ONLY
IN	1 1/8	1/4	2 1/4	8	5 1/4	1 5/8	3 1/2	7/16	5	6 1/2	LBS	67
MM	28,6	6,4	57,2	203,2	133,4	41,3	88,9	11,1	127	165,1	KG	30
	L	M	N	P	Q	R	S	T	U	V		W/ NPT FLANGES
IN	1/2	4	3 1/2	---	8 11/16	---	6 1/8	---	4	---	LBS	70
MM	12,7	101,6	88,9	---	220,6	---	155,6	---	101,6	---	KG	32
	W	X	Y	Z	AA	BB	CC	DD 1" SHAFT	DD 1 1/4" SHAFT			W/ WELD FLANGES
IN	13/16	1 1/4	1 1/4	5/16	8 3/4	---	---	10 5/8	10 7/8	---	LBS	72
MM	20,6	31,8	31,8	7,9	222,3	---	---	270	276,2	---	KG	33
	GG	HH	JJ	KK	LL	MM						W/ ANSI FLANGES
IN	---	---	---	---	---	---					LBS	---
MM	---	---	---	---	---	---					KG	---