



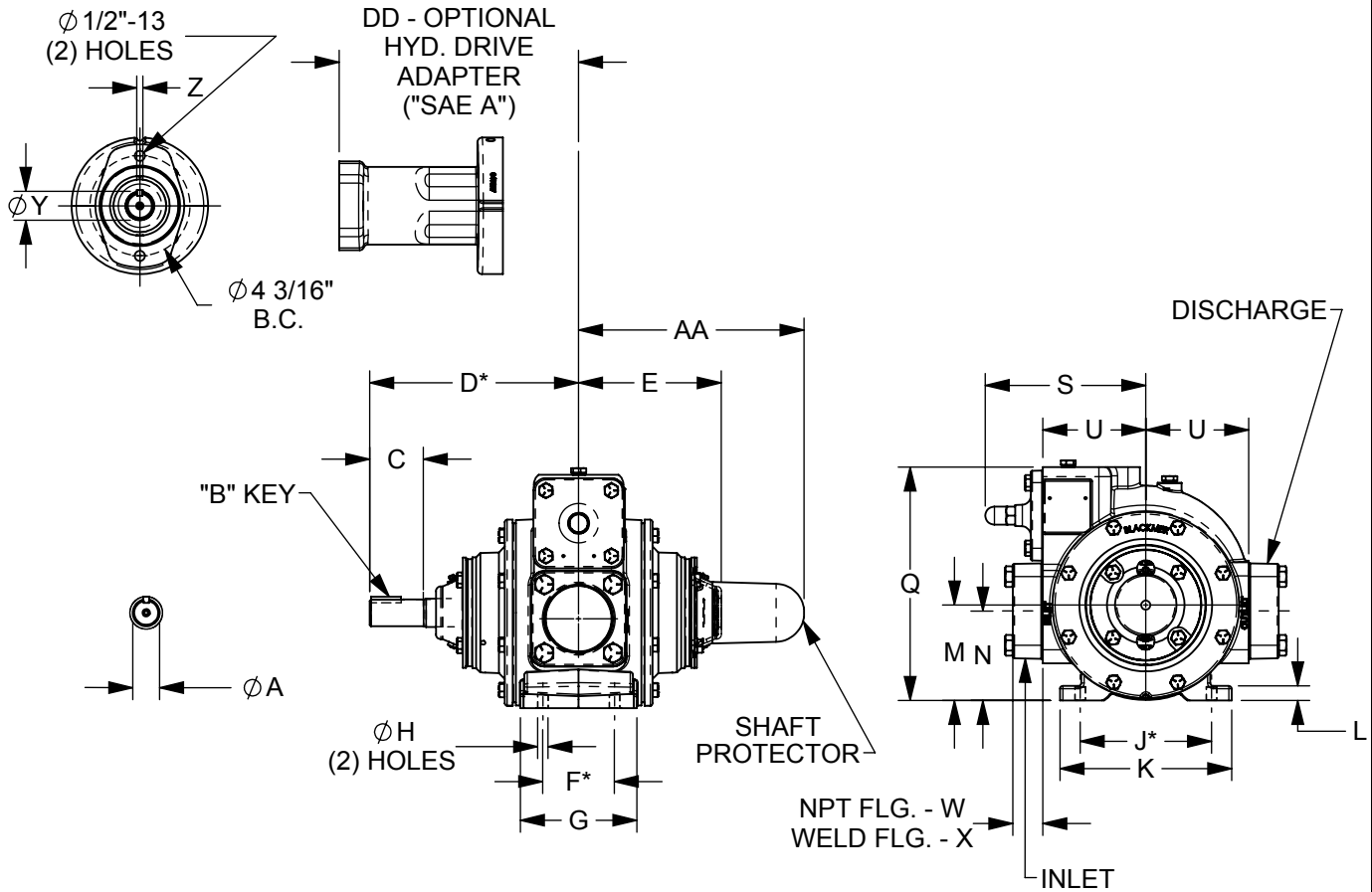
TYPE	SIZE	UNIT STYLE
TXDI INLINE	2.5A	PO

DIMENSIONS 201-135	
Section Effective Replaces Page 1 / 1	201 JULY 2016 NEW

RIGHT HAND ROTATION. FOR LEFT HAND ROTATION, SHAFT PROJECTION IS OPPOSITE THAT SHOWN.

\*TOLERANCE  $\pm 1/8"$

TOLERANCE ON OTHER DIMENSIONS  $\pm 1/4"$



DIMENSIONS											WEIGHTS	
UNITS	A	B	C	D	E	F	G	H	J	K	UNITS	PUMP ONLY
IN	1 1/8	1/4	2 1/4	8 3/4	6	3	4 7/8	7/16	5 1/2	7 3/16	LBS	85
MM	---	---	57,2	222,3	152,4	76,2	123,8	11,1	139,7	182,6	KG	39
	L	M	N	P	Q	R	S	T	U	V		W/ NPT FLANGES
IN	5/8	4	3 3/4	---	9 13/16	---	6 13/16	---	4 5/16	---	LBS	92
MM	15,9	101,6	95,3	---	249,2	---	173	---	109,5	---	KG	42
	W	X	Y	Z	AA	BB	CC	DD 1" SHAFT	DD 1 1/4" SHAFT			W/ WELD FLANGES
IN	1 3/16	1 1/4	1 1/4	5/16	9 1/2	---	---	11 3/8	11 5/8		LBS	94
MM	30,2	31,8	31,8	7,9	241,3	---	---	289	295,3		KG	43
	GG	HH	JJ	KK	LL	MM						W/ ANSI FLANGES
IN	---	---	---	---	---	---					LBS	---
MM	---	---	---	---	---	---					KG	---