

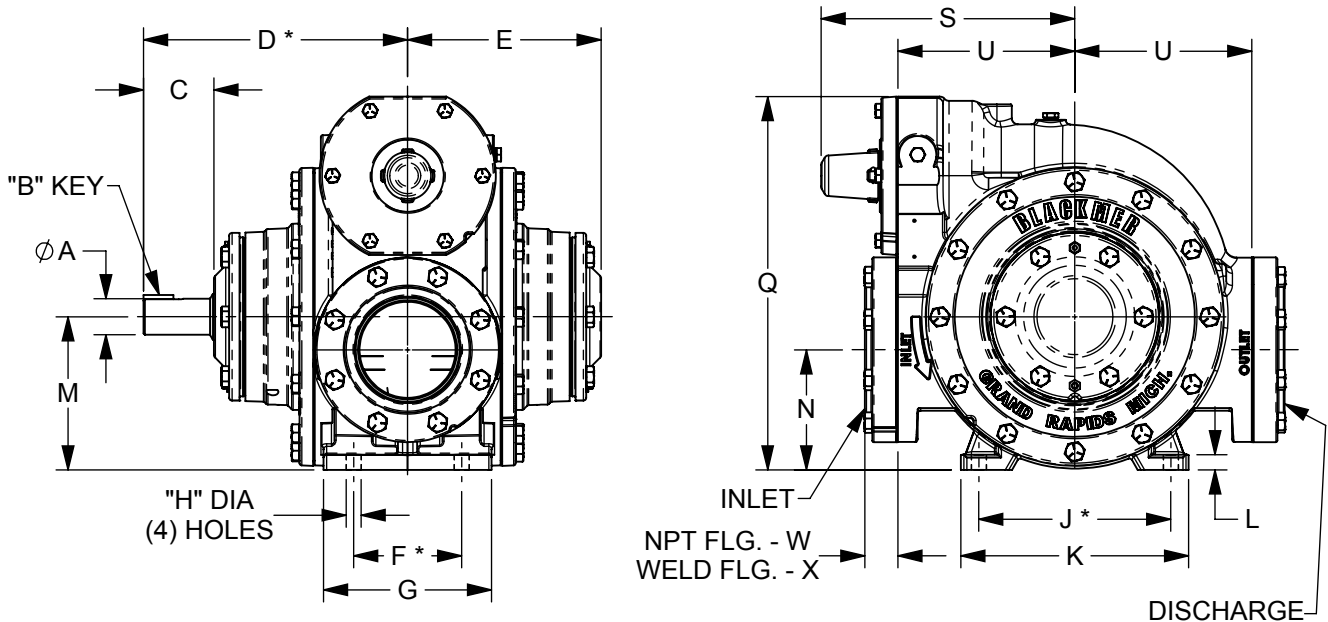


TYPE	SIZE	UNIT STYLE	DIMENSIONS 201-139	
TXI	4A	PO	Section Effective Replaces Page 1 / 1	201 JULY 2016 NEW

RIGHT HAND ROTATION SHOWN. FOR LEFT HAND ROTATION, SHAFT PROJECTION IS OPPOSITE THAT SHOWN.

*TOLERANCE $\pm 1/8$ "

TOLERANCE ON OTHER DIMENSIONS $\pm 1/4$ "



DIMENSIONS											WEIGHTS	
UNITS	A	B	C	D	E	F	G	H	J	K	UNITS	PUMP ONLY
IN	1 1/2	3/8	2 15/16	11	8 1/16	4 1/2	7	5/8	8	9 1/2	LBS	288
MM	---	---	74,6	279,4	204,8	114,3	177,8	15,9	203,2	241,3	KG	131
	L	M	N	P	Q	R	S	T	U	V		W/ NPT FLANGES
IN	5/8	6 3/8	5	---	15 9/16	---	10 9/16	---	7 3/8	---	LBS	292
MM	15,9	161,9	127	---	395,3	---	268,3	---	187,3	---	KG	132
	W	X	Y	Z	AA	BB	CC	DD	EE	FF		W/ WELD FLANGES
IN	1 3/8	3	---	---	---	---	---	---	---	---	LBS	311
MM	34,9	76,2	---	---	---	---	---	---	---	---	KG	141
	GG	HH	JJ	KK	LL	MM						
IN	---	---	---	---	---	---						
MM	---	---	---	---	---	---						