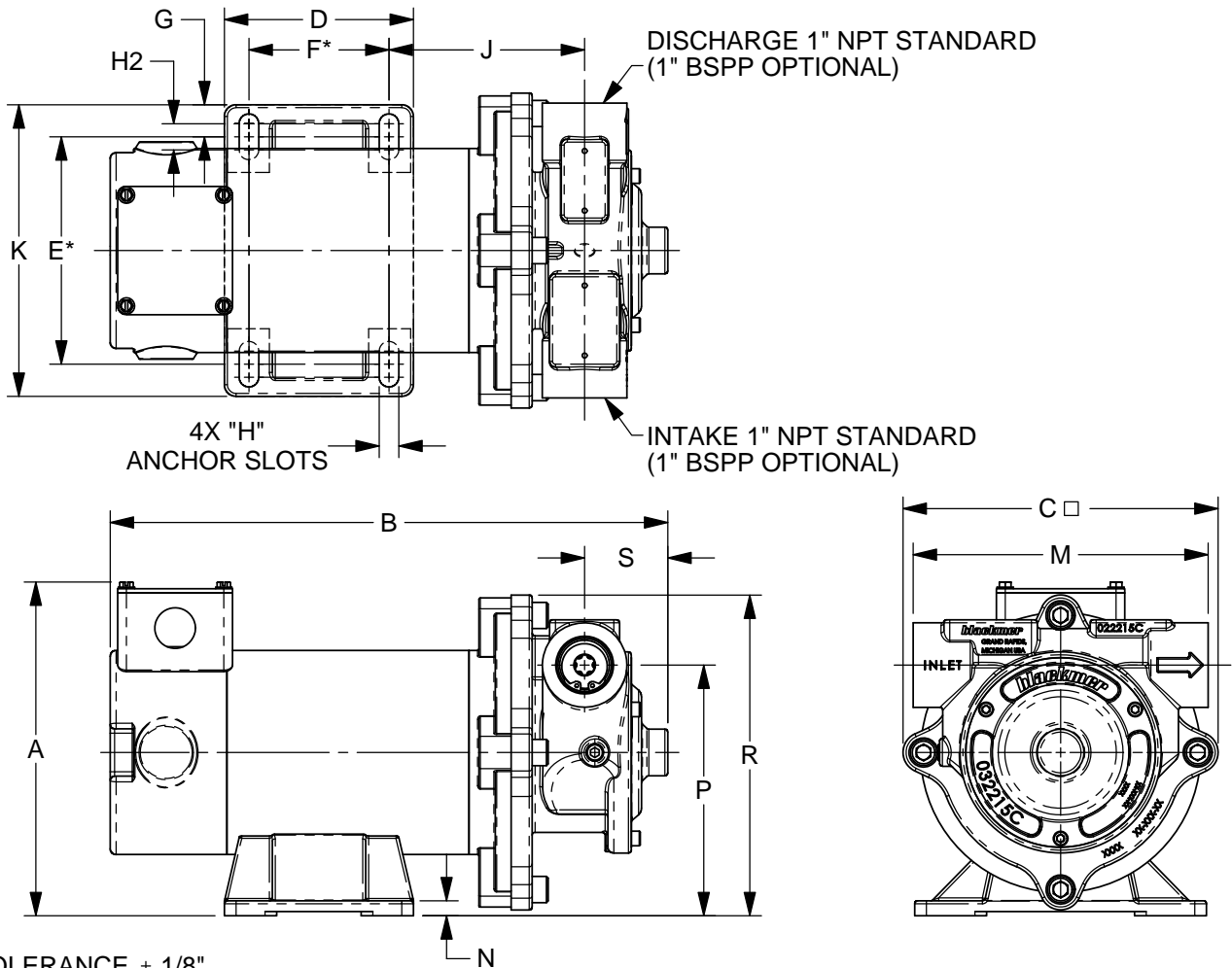




TYPE	SIZE	UNIT STYLE	DIMENSIONS 203-105	
	SX	1B	Section Effective Replaces Page 2 / 2	203 SEPT 2017 APRIL 2014



*TOLERANCE $\pm 1/8"$

TOLERANCE ON OTHER DIMENSIONS $\pm 1/4"$

□ MAX WIDTH

DIMENSIONS											WEIGHTS	
UNITS	A	B	C	D	E	F	G	H	H2	J	UNITS	PUMP ONLY
IN	7 1/8	11 15/16	6 3/4	4 1/16	4 7/8	3	11/16	7/16	9/16	4 3/16	LBS	27
MM	181,0	303,2	171,5	103,2	123,8	76,2	17,5	11,1	14,3	106,4	KG	12
	K	L	M	N	P	Q	R	S	T	U	MOTOR DESCRIPTION	
IN	6 1/4	---	6 5/16	5/16	5 3/8	---	6 7/8	1 13/16	---	---	TYPE	D.C.
MM	158,8	---	160,3	7,9	136,5	---	174,6	46,0	---	---	FRAME	56CZ
	V	W	X	Y	Z	AA	BB	CC	DD	EE	HP	1/2
											RPM	1750
IN	---	---	---	---	---	---	---	---	---	---	VOLTS	12 VDC
MM	---	---	---	---	---	---	---	---	---	---	ENCL	TENV
	FF	GG	HH	JJ	KK	LL						
IN	---	---	---	---	---	---						
MM	---	---	---	---	---	---						