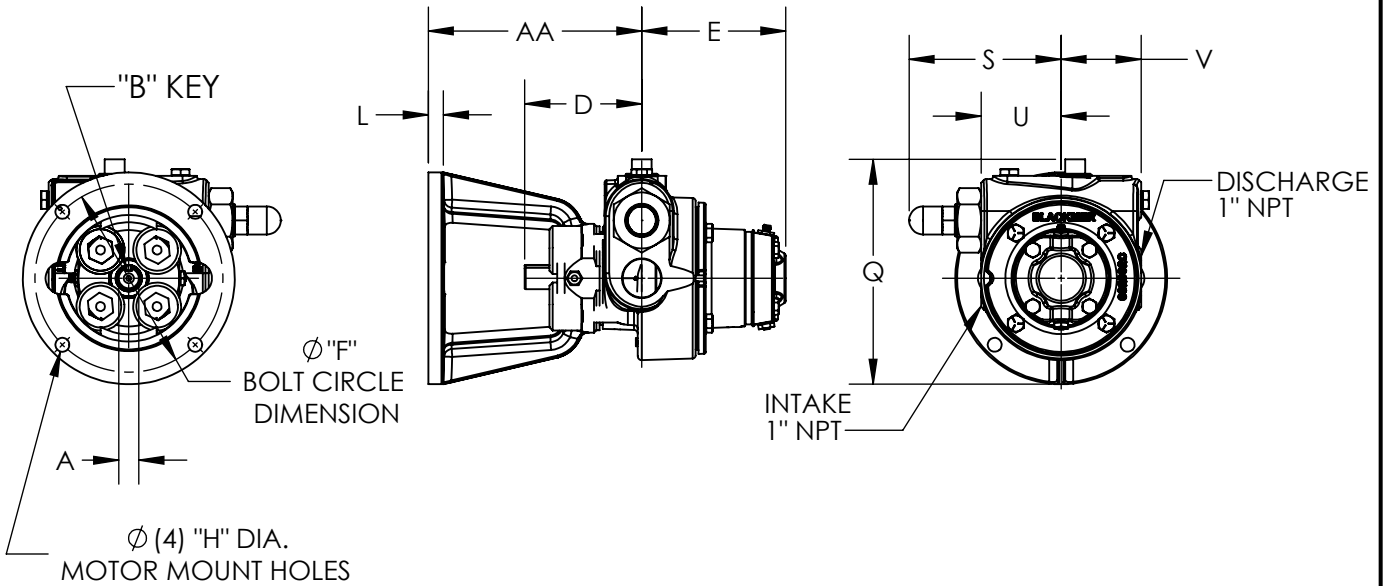




www.blackmer.com


TYPE	SIZE	UNIT STYLE	DIMENSIONS 501-101	
LGF WITHOUT FOOT	1E 1PE	PO	Section Effective Replaces Page 1 / 4	501 MAY 2017 JULY 2014

RIGHT HAND ROTATION

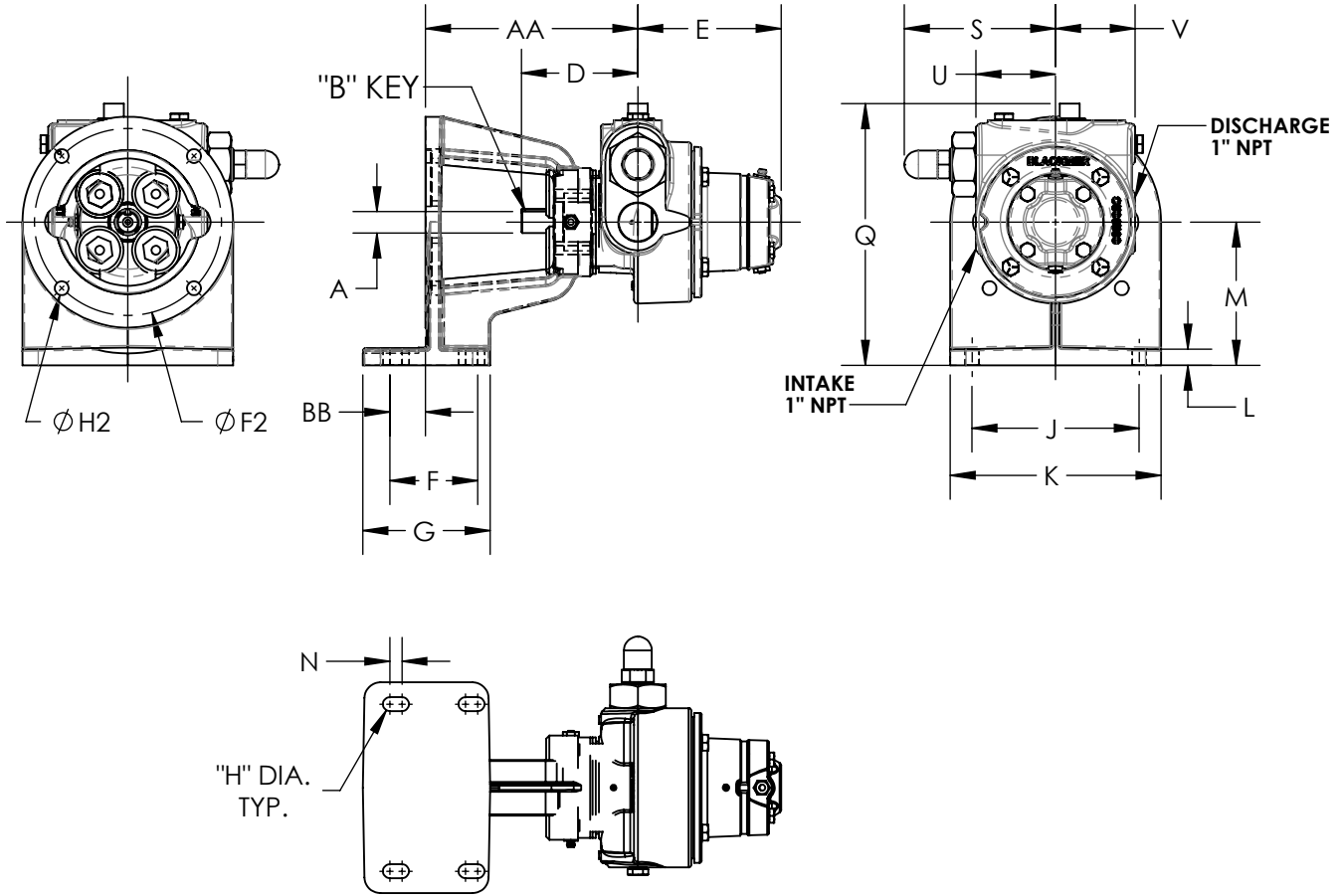


MOTOR ADAPTER		F	H	D	L	AA
NEMA	IN	5 7/8	7/16	3 11/16	1/2	11/16
	MM	149.2	11.1	93.7	12.7	17.46
IEC	MM	115	9.5	92.9	14.2	196.9
	IN	4.53	.37	3.66	.56	7.75

MOTOR		UNITS	DIMENSIONS										
FRAME SIZE			A	B	C	D	E	F	G	H	J	K	
		IN	11/16	3/16	-	SEE TABLE	4 1/2	SEE TABLE	-	SEE TABLE	-	-	
		MM			-	SEE TABLE	114.3	SEE TABLE	-	SEE TABLE	-	-	
			L	M	N	P	Q	R	S	T	U	V	
		IN	SEE TABLE	-	-	-	7 1/8	-	4 3/4	-	2 1/2	2 1/2	
		MM	SEE TABLE	-	-	-	181.0	-	114.3	-	63.5	63.5	
			W	X	Y	Z	AA	BB	CC	DD	EE	FF	
		IN	-	-	-	-	SEE TABLE	-	-	-	-	-	
		MM	-	-	-	-	SEE TABLE	-	-	-	-	-	
			PUMP WEIGHT										
			LBS		39								
			KG		17.7								


DIMENSIONS 501-101		TYPE	SIZE	UNIT STYLE	 www.blackmer.com
Section Effective Replaces Page 2 / 4	501 MAY 2017 JULY 2014	LGF WITH FOOTED BRACKET	1E 1PE	PO	

RIGHT HAND ROTATION

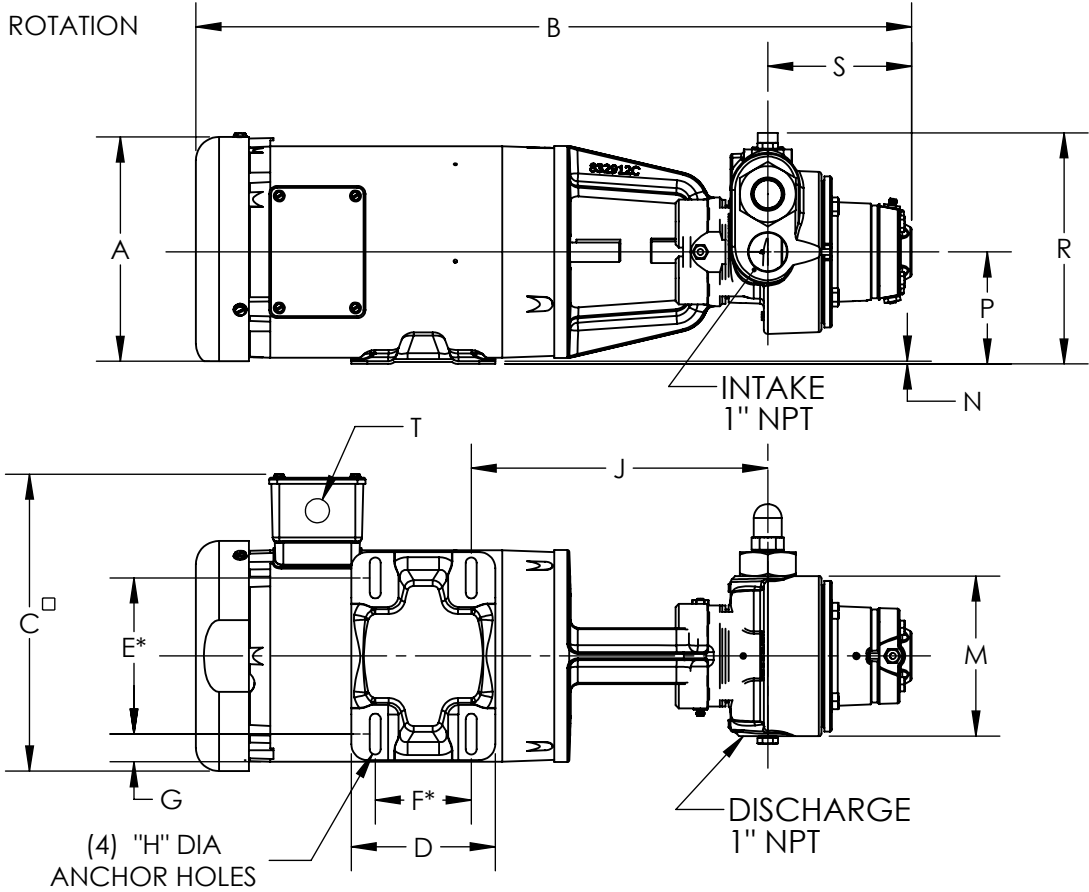


**** FOOTED C-FRAME FOR NEMA MOTORS ONLY**

MOTOR			UNITS	DIMENSIONS									
FRAME SIZE				A	B	C	D	E	F	G	H	J	K
			IN	11/16	3/16	-	3 11/16	4 1/2	2 3/4	3 7/8	7/16	5 1/4	6 5/8
			MM			-	93.7	114.3	69.85	98.4	11.11	133.4	168.3
				L	M	N	P	Q	R	S	T	U	V
			IN	1/2	4 1/2	3/8	-	8 5/16	-	4 3/4	-	2 1/2	2 1/2
			MM	12.7	114.3	9.5	-	211.1	-	114.3	-	63.5	63.5
				W	X	Y	Z	AA	BB	CC	DD	EE	FF
			IN	-	-	-	-	6 11/16	1 1/8	-	-	-	-
			MM	-	-	-	-	169.8	28.6	-	-	-	-
				PUMP WEIGHT				C-FACE ADAPTER					
				LBS		39		F2	H2				
				KG		17.7		5 7/8	7/16				


DIMENSIONS 501-101		TYPE	SIZE	UNIT STYLE	 www.blackmer.com
Section Effective Replaces Page 3 / 4	501 MAY 2017 JULY 2014	LGF WITHOUT FOOT	1E 1PE	F	

RIGHT HAND ROTATION

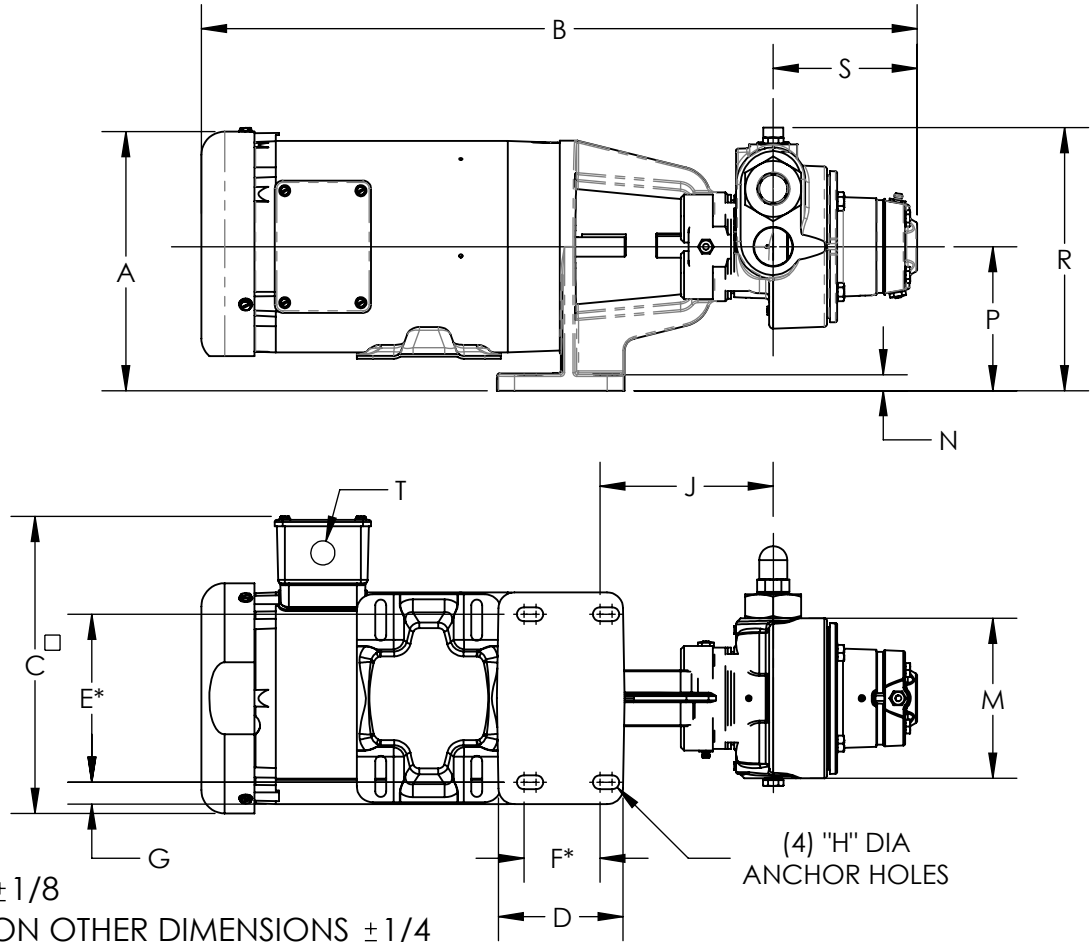


* TOLERANCE $\pm 1/8$
TOLERANCE ON OTHER DIMENSIONS $\pm 1/4$
"A" DIMENSION LESS EYEBOLT
□ MAXIMUM UNIT WIDTH

MOTOR EXPLOSION PROOF 1800 RPM 60 HZ		DIMENSIONS																	UNIT WEIGHT	
FRAME SIZE	H.P.	UNITS	A	B	C	D	E	F	G	H	J	L	M	N	P	R	S	T	UNITS	WITH MOTOR
56C 3 PH	3/4	IN	6 5/8	23 5/16	10 1/4	4 1/4	4 7/8	3	13/16	3/8	9 1/4	-	5	5/32	3 1/2	7 1/4	4 3/8	1/2	LBS	74
		MM	142.9	592.1	260.3	107.9	123.9	76.2	20.6	9.5	234.9	-	127	4.0	88.9	184.2	111.1	12.7	KG	33.6
56C 1 PH	1	IN	7 1/4	24 3/16	10 1/4	4 1/4	4 7/8	3	13/16	3/8	9 1/4	-	5	5/32	3 1/2	7 1/4	4 3/8	1/2	LBS	90
		MM	184.2	614.1	260.3	107.9	123.9	76.2	20.6	9.5	234.9	-	127	4.0	88.9	184.2	111.1	12.7	KG	40.9
56C 3 PH	1	IN	7 1/4	24 3/16	10 1/4	4 1/4	4 7/8	3	13/16	3/8	9 1/4	-	5	5/32	3 1/2	7 1/4	4 3/8	1/2	LBS	80
		MM	184.2	614.1	260.3	107.9	123.9	76.2	20.6	9.5	234.9	-	127	4.0	88.9	184.2	111.1	12.7	KG	36.3
56C 1 PH	1 1/2	IN	7 1/4	26 7/16	10 1/4	4 1/4	4 7/8	3	13/16	3/8	9 1/4	-	5	5/32	3 1/2	7 1/4	4 3/8	1/2	LBS	110
		MM	184.2	671.6	260.3	107.9	123.9	76.2	20.6	9.5	234.9	-	127	4.0	88.9	184.2	111.1	12.7	KG	49.9
184C 1 PH	1 1/2	IN	8 5/8	25 13/16	11 1/2	6 1/2	7 1/2	5 1/2	9/16	7/16	11 1/8	-	5	5/32	4 1/2	7 1/4	4 3/8	3/4	LBS	109
		MM	219.1	655.8	292.1	165.1	190.5	139.7	14.2	11.1	282.6	-	127	4.0	114.3	184.2	111.1	19.1	KG	49.4
56C 3 PH	2	IN	7 1/4	24 1/4	10 1/4	4 1/4	4 7/8	3	13/16	3/8	9 1/4	-	5	5/32	3 1/2	7 1/4	4 3/8	1/2	LBS	90
		MM	184.2	615.9	260.3	107.9	123.9	76.2	20.6	9.5	234.9	-	127	4.0	88.9	184.2	111.1	12.7	KG	40.9
145TC 3 PH	2	IN	7 1/4	26 3/8	10 1/4	5 15/16	5 1/4	5	1/2	3/8	9 1/2	-	5	5/32	3 1/2	7 1/4	4 3/8	3/4	LBS	106
		MM	184.2	669.9	260.3	150.9	133.4	127	12.7	9.5	241.3	-	127	4.0	88.9	184.2	111.1	19.1	KG	48.1

DIMENSIONS 501-101		TYPE	SIZE	UNIT STYLE	 www.blackmer.com
Section Effective Replaces Page 4 / 4	501 MAY 2017 JULY 2014	LGF WITH FOOTED BRACKET	1E 1PE	F	

RIGHT HAND ROTATION



* TOLERANCE $\pm 1/8$
TOLERANCE ON OTHER DIMENSIONS $\pm 1/4$
"A" DIMENSION LESS EYEBOLT
□ MAXIMUM UNIT WIDTH

MOTOR EXPLOSION PROOF 1800 RPM 60 HZ		DIMENSIONS																	UNIT WEIGHT	
FRAME SIZE	H.P.	UNITS	A	B	C	D	E	F	G	H	J	L	M	N	P	R	S	T	UNITS	WITH MOTOR
56C 1 PH	1	IN	8 1/2	23 1/2	10 3/4	3 7/8	5 1/4	2 3/8	11/16	7/16	5 3/8	-	5	1/2	4 1/2	8 3/4	4 3/8	1/2	LBS	90
		MM	215.9	596.9	273.1	98.4	133.4	60.3	17.5	11.1	136.5	-	127	12.7	114.3	222.3	111.1	12.7	KG	40.9
56C 3 PH	1	IN	8 1/2	25 1/4	10 3/4	3 7/8	5 1/4	2 3/8	11/16	7/16	5 3/8	-	5	1/2	4 1/2	8 3/4	4 3/8	1/2	LBS	80
		MM	215.9	641.4	273.1	98.4	133.4	60.3	17.5	11.1	136.5	-	127	12.7	114.3	222.3	111.1	12.7	KG	36.3
56C 1 PH	1 1/2	IN	8 1/2	23 1/2	10 3/4	3 7/8	5 1/4	2 3/8	11/16	7/16	5 3/8	-	5	1/2	4 1/2	8 3/4	4 3/8	1/2	LBS	110
		MM	215.9	569.9	273.1	98.4	133.4	60.3	17.5	11.1	136.5	-	127	12.7	114.3	222.3	111.1	12.7	KG	49.9
184C 1 PH	1 1/2	IN	8 13/16	25 13/16	10 3/4	3 7/8	5 1/4	2 3/8	11/16	7/16	5 3/8	-	5	1/2	4 1/2	8 3/4	4 3/8	1/2	LBS	90
		MM	223.8	655.8	273.1	98.4	133.4	60.3	17.5	11.1	136.5	-	127	12.7	114.3	222.3	111.1	12.7	KG	40.9
56C 3 PH	2	IN	8 1/2	24 1/4	10 3/4	3 7/8	5 1/4	2 3/8	11/16	7/16	5 3/8	-	5	1/2	4 1/2	8 3/4	4 3/8	1/2	LBS	110
		MM	215.9	615.9	273.1	98.4	133.4	60.3	17.5	11.1	136.5	-	127	12.7	114.3	222.3	111.1	12.7	KG	49.9
145TC 3 PH	2	IN	8 1/2	26 3/8	10 3/4	3 7/8	5 1/4	2 3/8	11/16	7/16	5 3/8	-	5	1/2	4 1/2	8 3/4	4 3/8	1/2	LBS	106
		MM	215.9	669.9	273.1	98.4	133.4	60.3	17.5	11.1	136.5	-	127	12.7	114.3	222.3	111.1	12.7	KG	48.1