







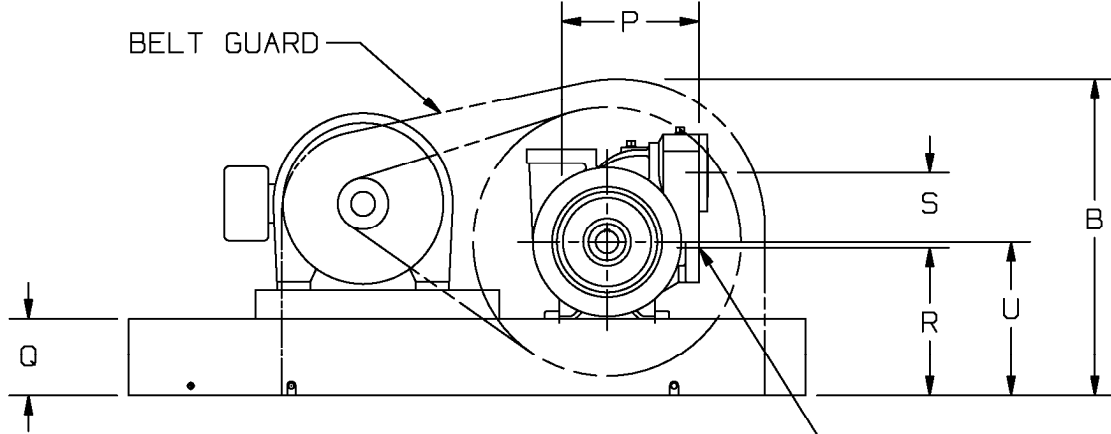
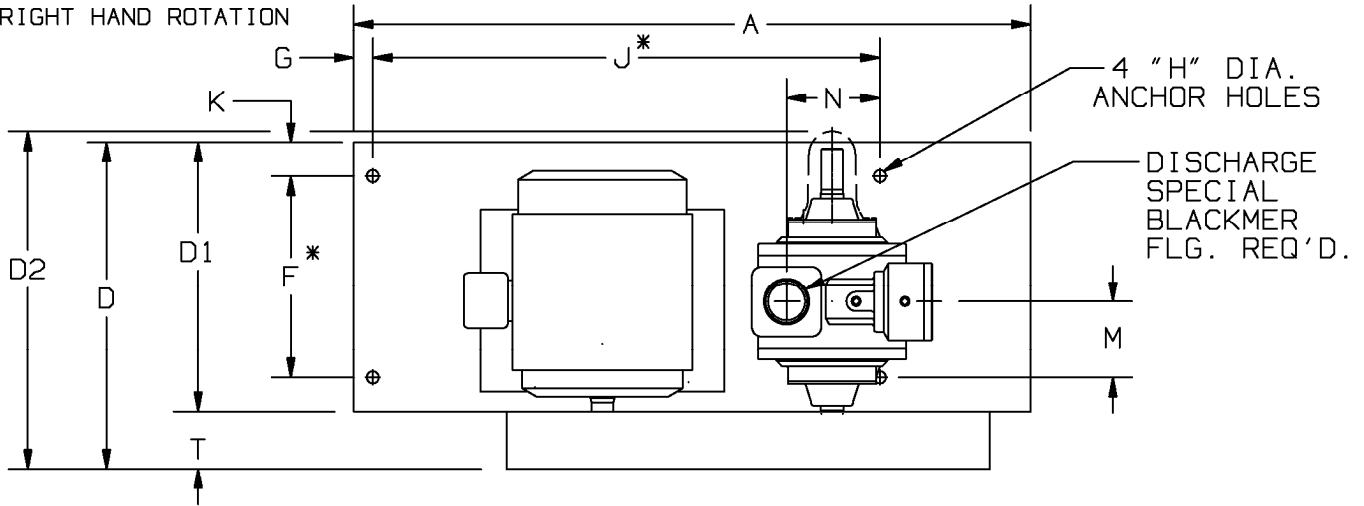
www.blackmer.com

TYPE	SIZE	UNIT STYLE
LGL	2	VB

DIMENSIONS 501-111

Section Effective Replaces Page 3 / 5  
 501 SEPTEMBER 2023  
 AUGUST 2007

RIGHT HAND ROTATION



UNIT DIMENSION LESS FLANGES

\* TOLERANCE  $\pm \frac{1}{8}$

TOLERANCE ON OTHER DIMENSIONS  $\pm \frac{1}{4}$

INTAKE SPECIAL BLACKMER FLG. REQ'D.

MOTOR		H.P.		UNIT NO.	DIMENSIONS																			
1800	1200	FRAME SIZE	1800		1200	UNIT	A	B	D	D1	D2	F	G	H	J	K	M	N	P	Q	R	S	T	U
330	220	182T	3	1.5	874415	IN.	35 <sup>3</sup> / <sub>8</sub>	15 <sup>7</sup> / <sub>8</sub>	17 <sup>1</sup> / <sub>8</sub>	14	17 <sup>3</sup> / <sub>4</sub>	10 <sup>1</sup> / <sub>2</sub>	1	5/8	26 <sup>1</sup> / <sub>2</sub>	1 <sup>3</sup> / <sub>4</sub>	4	4 <sup>7</sup> / <sub>8</sub>	7 <sup>1</sup> / <sub>4</sub>	4	7 <sup>3</sup> / <sub>4</sub>	5 <sup>1</sup> / <sub>4</sub>	3 <sup>1</sup> / <sub>8</sub>	8
						MM	899	403	435	356	451	267	25	16	673	44	102	124	184	102	197	133	79	203
420	280	182T	3	1.5	874414	IN.																		
						MM																		
420	280	184T	5	2	874416	IN.																		
						MM																		
520	340	182T	3	1.5	874419	IN.																		
						MM																		
520	340	184T	5	2	874417	IN.																		
						MM																		
660	440	184T	5	2	874420	IN.																		
						MM																		
660	440	213T	7.5	3	874418	IN.		17	20 <sup>1</sup> / <sub>2</sub>															
						MM		432	521															

SAME AS ABOVE



TYPE

SIZE

UNIT  
STYLE

LGL

2E

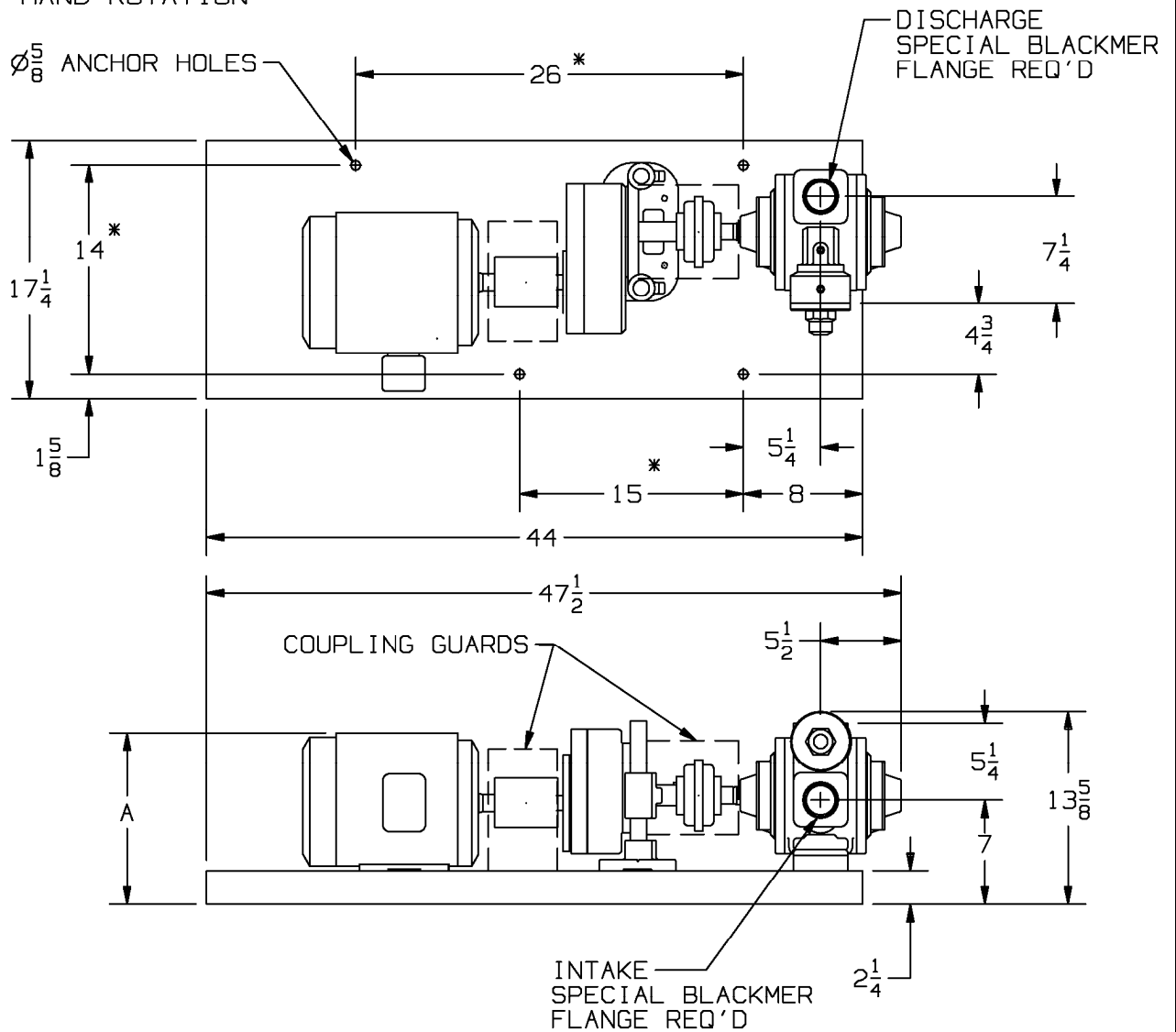
HRA

DIMENSIONS 501-111

Section Effective Replaces Page 4 / 5  
501 SEPTEMBER 2023  
AUGUST 2007

RIGHT HAND ROTATION

(4)  $\varnothing \frac{5}{8}$  ANCHOR HOLES



UNIT DIMENSION LESS FLANGES

\* TOLERANCE  $\pm \frac{1}{8}$

TOLERANCE ON OTHER DIMENSIONS  $\pm \frac{1}{4}$

"A" DIMENSION LESS EYEBOLT

FLG. HGT: 2" NPT - 1 1/8  
2" WELD - 1 1/4

MOTOR			BASE NO.	DIMENSIONS	
FRAME SIZE				A	
182T			901776	11 7/8	
184T			901776	11 7/8	

DIMENSIONS 501-111

Section Effective: 501 SEPTEMBER 2023  
 Replaces: AUGUST 2007  
 Page 5 / 5

TYPE

SIZE

UNIT STYLE

LGL

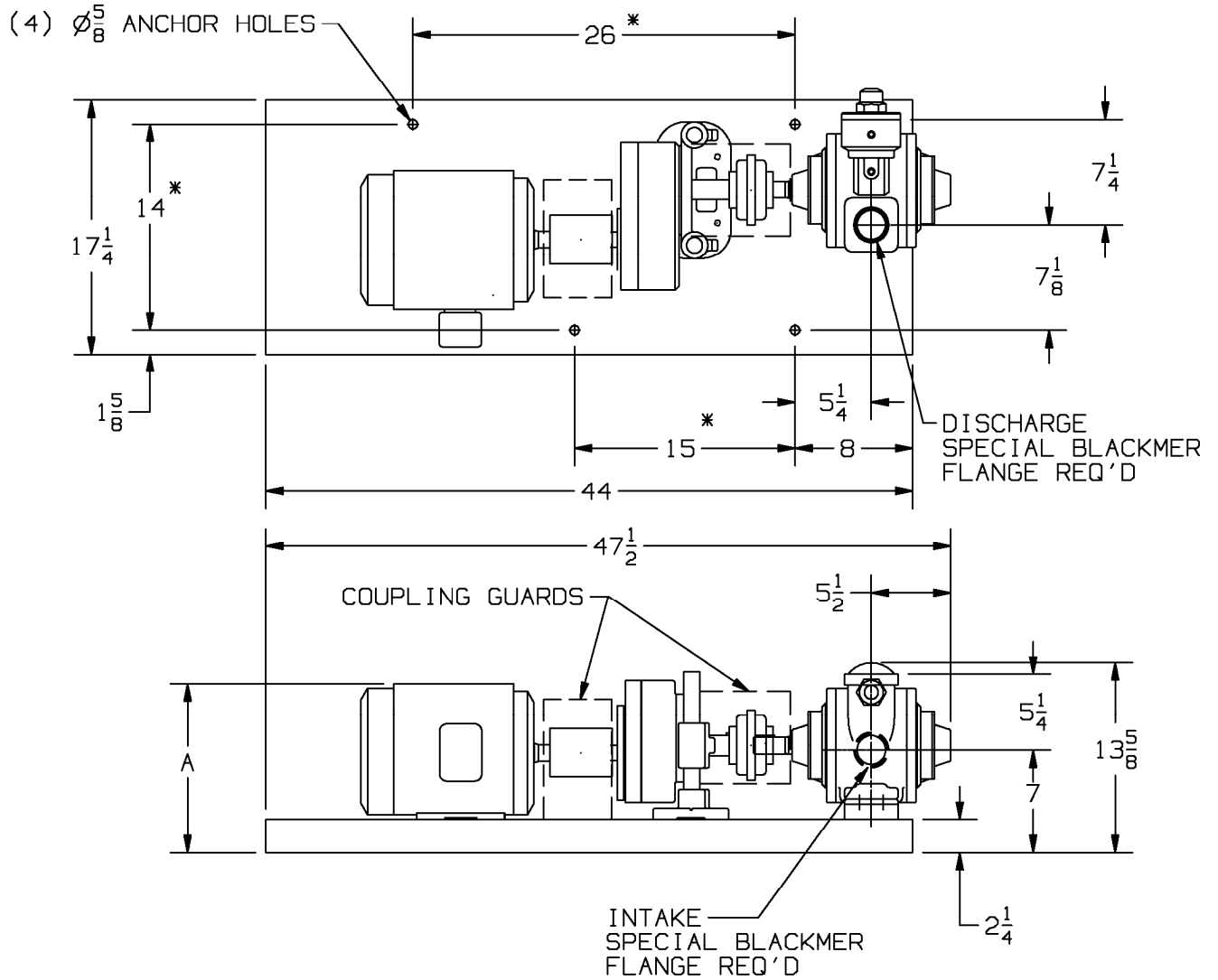
2E

HRA



www.blackmer.com

LEFT HAND ROTATION



UNIT DIMENSION LESS FLANGES

\* TOLERANCE  $\pm \frac{1}{8}$

TOLERANCE ON OTHER DIMENSIONS  $\pm \frac{1}{4}$

"A" DIMENSION LESS EYEBOLT

FLG. HGT: 2" NPT - 1 1/8  
 2" WELD - 1 1/4

MOTOR		BASE NO.	DIMENSIONS	
FRAME SIZE			A	
182T		901776	11 7/8	
184T		901776	11 7/8	