

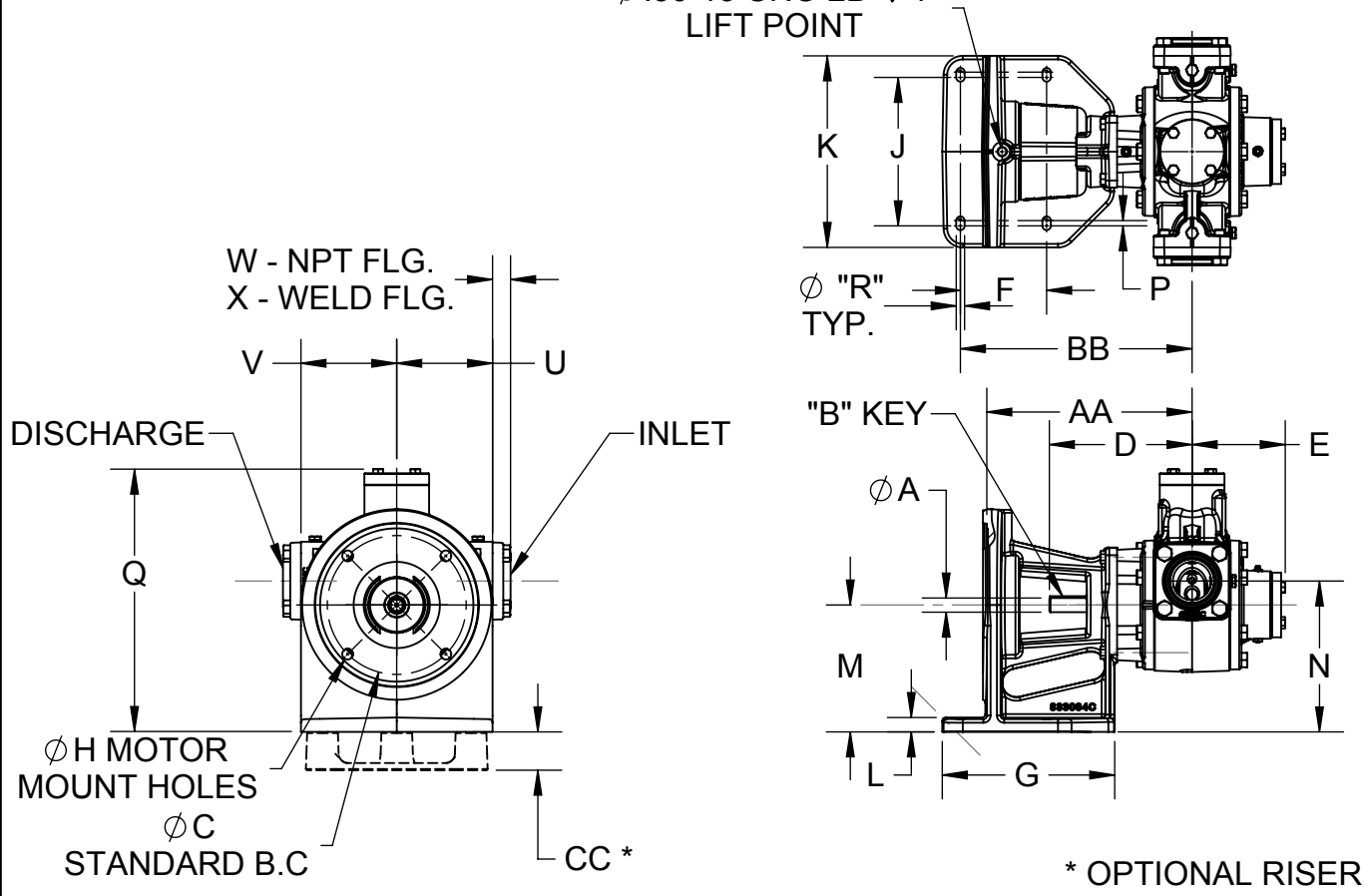


MODEL	UNIT STYLE
LGL 156C	PUMP WITH MOTOR ADAPTOR
LGL 158C	

DIMENSIONS 501-121	
Section Effective	501
Replaces	Oct 2015
Page 1 / 4	July 2014

RIGHT HAND ROTATION SHOWN

ϕ .50-13 UNC-2B ∇ 1" LIFT POINT



DIM	ϕ C			ϕ H		
MOTOR FR.	NEMA	IEC 100/112	IEC 132	NEMA	IEC 100/112	IEC 132
INCH	7 1/4	8 15/32	6 1/2	9/16	-	-
MM	184	215	165	-	M14x2.0	14.3

MOTOR		UNITS	DIMENSIONS									
FRAME SIZE			A	B	C	D	E	F	G	H	J	K
NEMA 182TC		IN	3/4	3/16	SEE	7 1/2	4 7/8	4 1/2	9	SEE	7 3/4	10
NEMA 184TC		MM	--	--	TABLE	190.5	123.8	114.3	228.6	TABLE	197	254
NEMA 213C			L	M	N	P	Q	R	S	T	U	V
NEMA 215C												
IEC 100-B5		IN	3/4	6 5/8	7 7/8	9/32	13 3/4	7/16	--	--	5	5
IEC 112-B5		MM	19	168	200	7.1	350	11.1	--	--	127	127
IEC 132-B14			W	X	Y	Z	AA	BB	CC	DD	EE	FF
		IN	15/16	9/16	--	--	10 3/4	12 1/8	2	--	--	--
		MM	23.8	14.3	--	--	273	308	50.8	--	--	--
			PUMP WEIGHT		WITH STD FLANGES							
			LBS		109							
			KG		49.4							



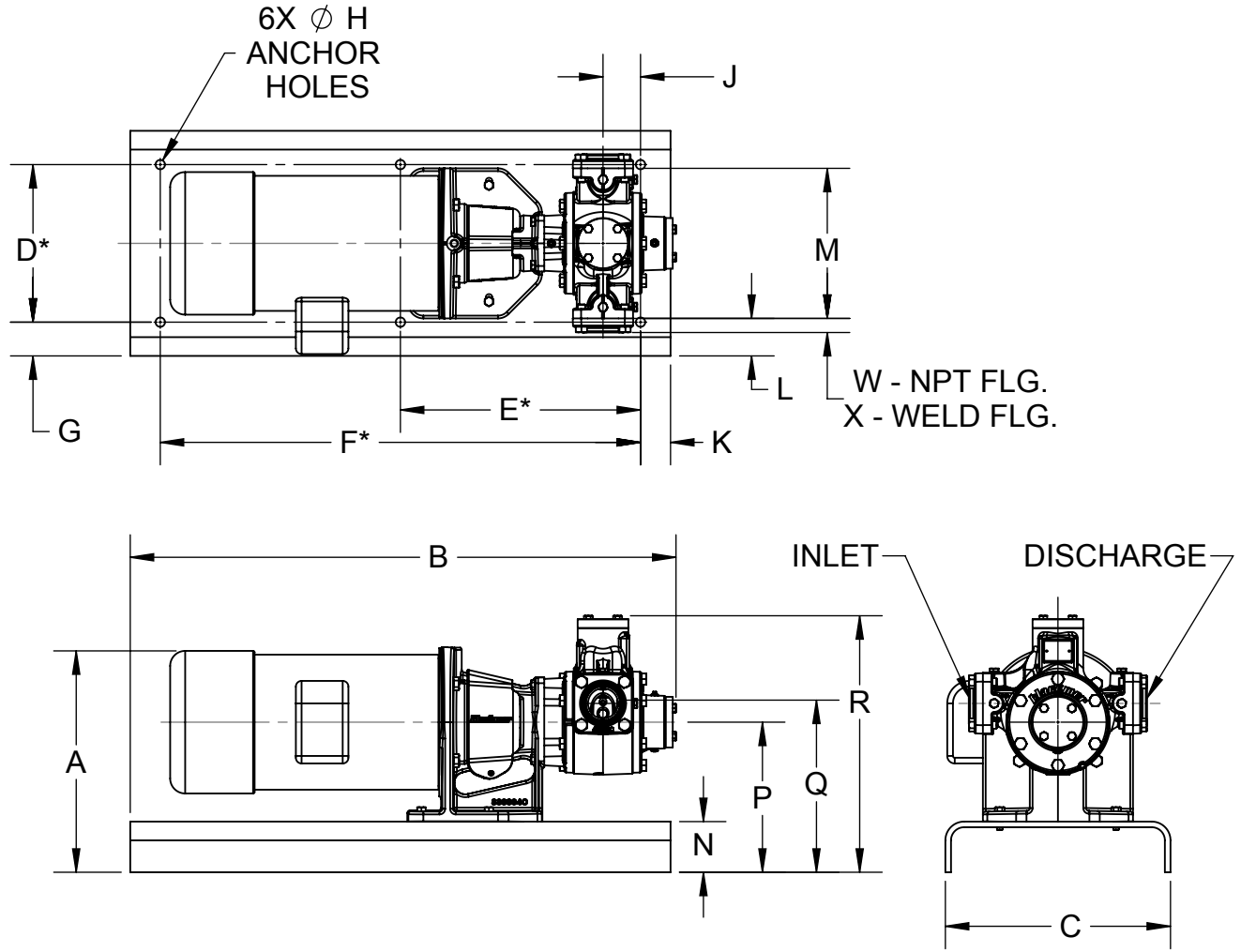
MODEL
LGL 156C
LGL 158C

UNIT STYLE
DM

DIMENSIONS 501-121

Section 501
Effective Oct 2015
Replaces July 2014
Page 2 / 4

RIGHT HAND ROTATION SHOWN



DIM "A" AND MOTOR PROFILES VARY, 215C SHOWN

* TOLERANCE $\pm 1/8$
ALL OTHERS $\pm 1/4$

MOTOR		UNITS	DIMENSIONS									
FRAME SIZE			A	B	C	D	E	F	G	H	J	K
NEMA	182TC	IN	14 3/4	36 3/8	15	10 1/2	16	32	2 1/4	5/8	2 1/2	2
NEMA	184TC	MM	375	924	381	267	406	813	57	16	64	51
NEMA	213C		L	M	N	P	Q	R	S	T	U	V
NEMA	215C											
IEC	100-B5	IN	2 1/2	10	3 3/8	10	11 1/2	17 1/8	--	--	--	--
IEC	112-B5	MM	64	254	86	254	292	435	--	--	--	--
IEC	132-B14		W	X	Y	Z	AA	BB	CC	DD	EE	FF
		IN	15/16	9/16	--	--	--	--	--	--	--	--
		MM	24	14	--	--	--	--	--	--	--	--
			PUMP WEIGHT		WITHOUT MOTOR							
			LBS		186							
			KG		84.4							
									BASE			901867



www.blackmer.com

MODEL

LGL 156C

LGL 158C

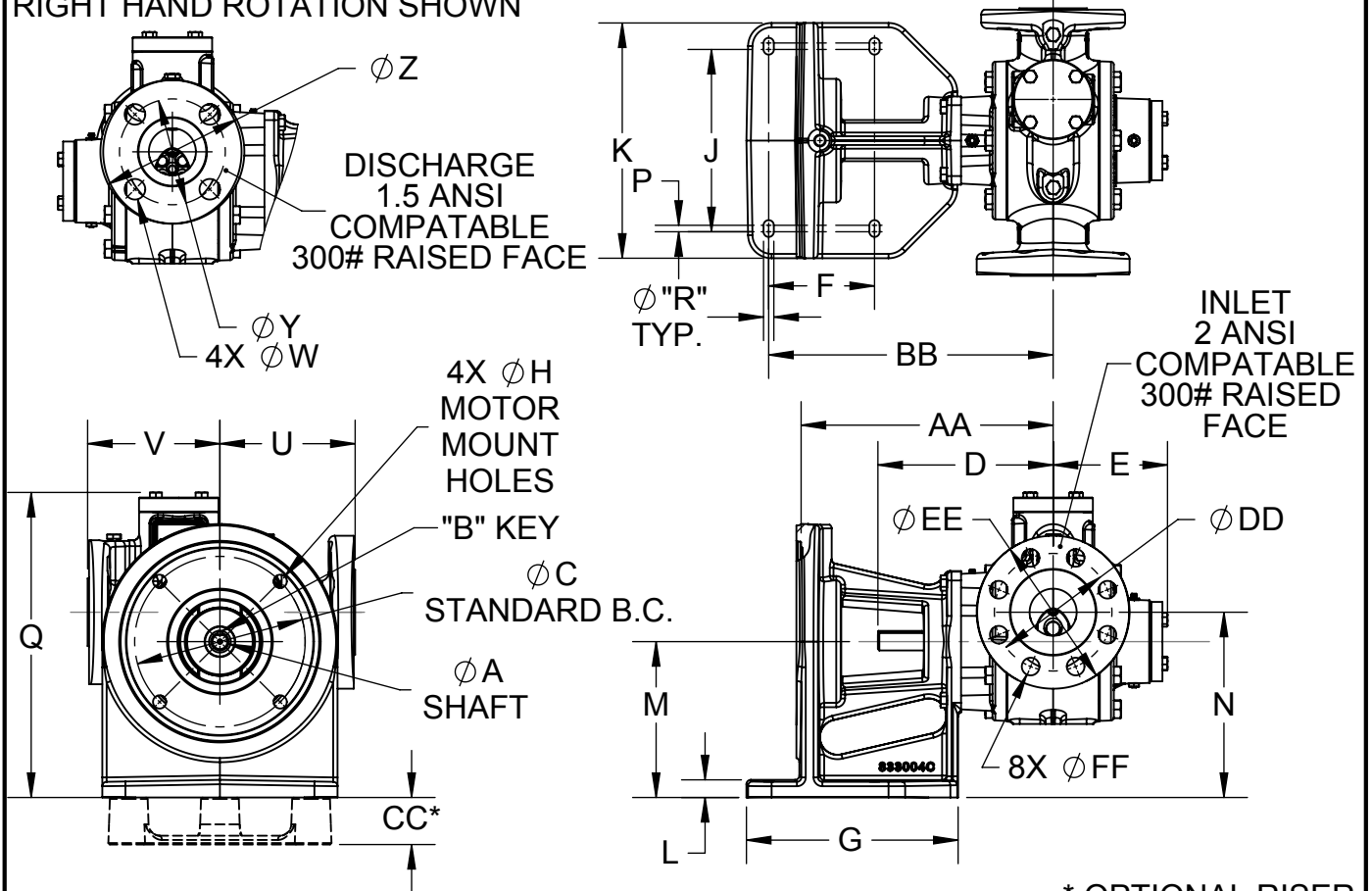
UNIT STYLE

ANSI FLANGE
PUMP WITH
MOTOR ADAPTOR

DIMENSIONS 501-121

Section 501
Effective Oct 2015
Replaces July 2014
Page 3 / 4

RIGHT HAND ROTATION SHOWN



DIM.	ϕ C			ϕ H		
MOTOR FR.	NEMA	IEC 100/112	IEC 132	NEMA	IEC 100/112	IEC 132
INCH	7 1/4	8 15/32	6 1/2	9/16	-	-
MM	184	215	165	-	M14x2.0	14.3

MOTOR		UNITS	DIMENSIONS									
FRAME SIZE			A	B	C	D	E	F	G	H	J	K
NEMA 182TC		IN	3/4	3/16	SEE	7 1/2	4 7/8	4 1/2	9	SEE	7 3/4	10
NEMA 184TC		MM	--	--	TABLE	190.5	123.8	114.3	228.6	TABLE	197	254
NEMA 213C			L	M	N	P	Q	R	S	T	U	V
NEMA 215C												
IEC 100-B5		IN	3/4	6 5/8	7 7/8	9/32	13	7/16	--	--	5 3/4	5 5/8
IEC 112-B5		MM	19	168	200	7.1	330	11.1	--	--	146	143
IEC 132-B14			W	X	Y	Z	AA	BB	CC	DD	EE	FF
		IN	7/8	--	4 1/2	6 1/8	10 3/4	12 1/8	2	5	6 1/2	3/4
		MM	22.2	--	114	156	273	308	50.8	127	165	19
			PUMP WEIGHT		WITH ANSI FLANGES							
			LBS		120							
			KG		54.4							



www.blackmer.com

MODEL

LGL 156C

LGL 158C

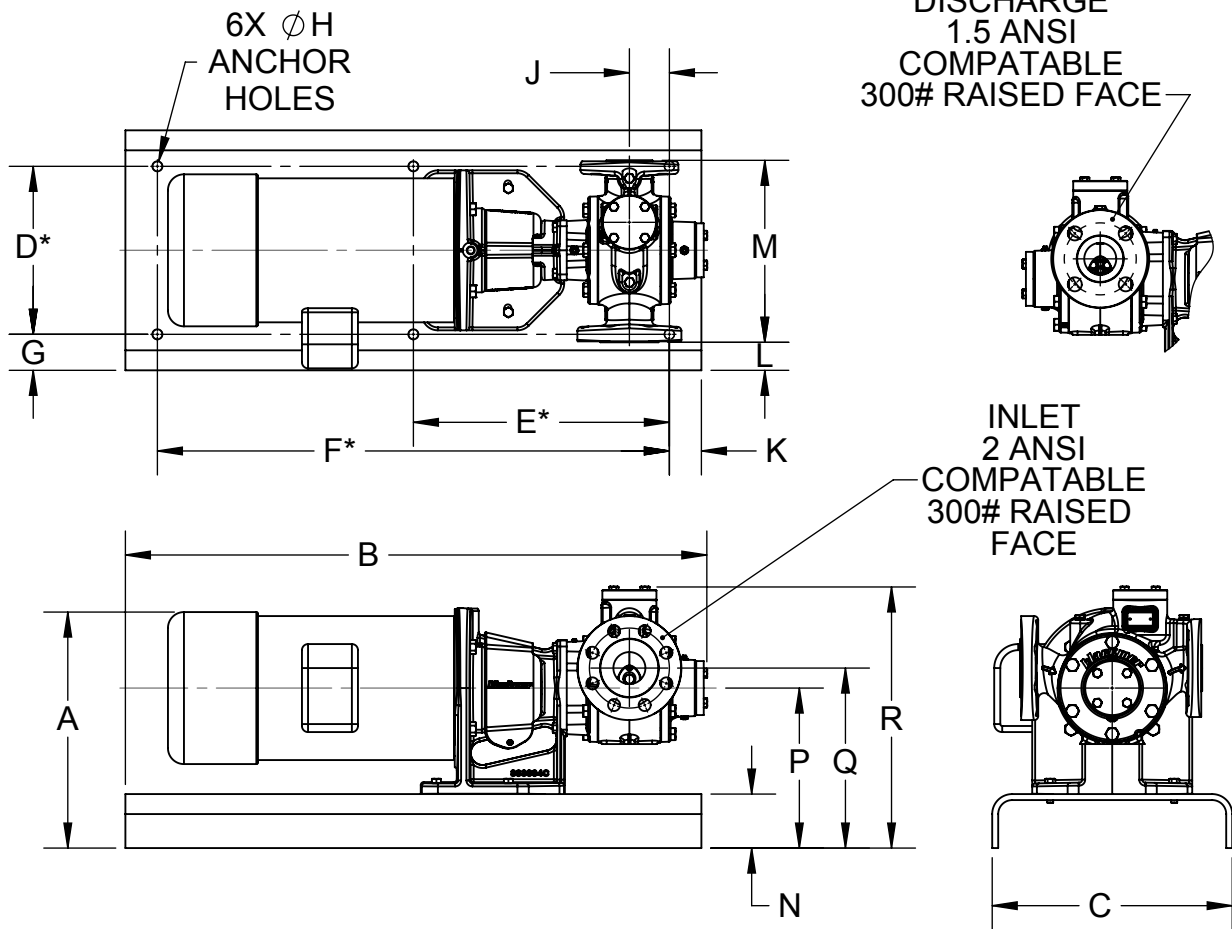
UNIT STYLE

ANSI FLANGE
PUMP
DM

DIMENSIONS 501-121

Section 501
Effective Oct 2015
Replaces July 2014
Page 4 / 4

RIGHT HAND ROTATION SHOWN



* TOLERANCE $\pm 1/8$
ALL OTHERS $\pm 1/4$

DIM "A" AND MOTOR PROFILES VARY, 215C SHOWN

MOTOR		UNITS	DIMENSIONS									
FRAME SIZE			A	B	C	D	E	F	G	H	J	K
NEMA	182TC	IN	14 3/4	36 3/8	15	10 1/2	16	32	2 1/4	5/8	2 1/2	2
NEMA	184TC	MM	375	924	381	267	406	813	57	16	64	51
NEMA	213C		L	M	N	P	Q	R	S	T	U	V
NEMA	215C											
IEC	100-B5	IN	1 3/4	11 3/8	3 3/8	10	11 1/4	16 3/8	--	--	--	--
IEC	112-B5	MM	44.5	289	86	254	286	435	--	--	--	--
IEC	132-B14		W	X	Y	Z	AA	BB	CC	DD	EE	FF
		IN	--	--	--	--	--	--	--	--	--	--
		MM	--	--	--	--	--	--	--	--	--	--
			PUMP UNIT WEIGHT		WITHOUT MOTOR							
			LBS		197							
			KG		89.4							
									BASE		901867	