



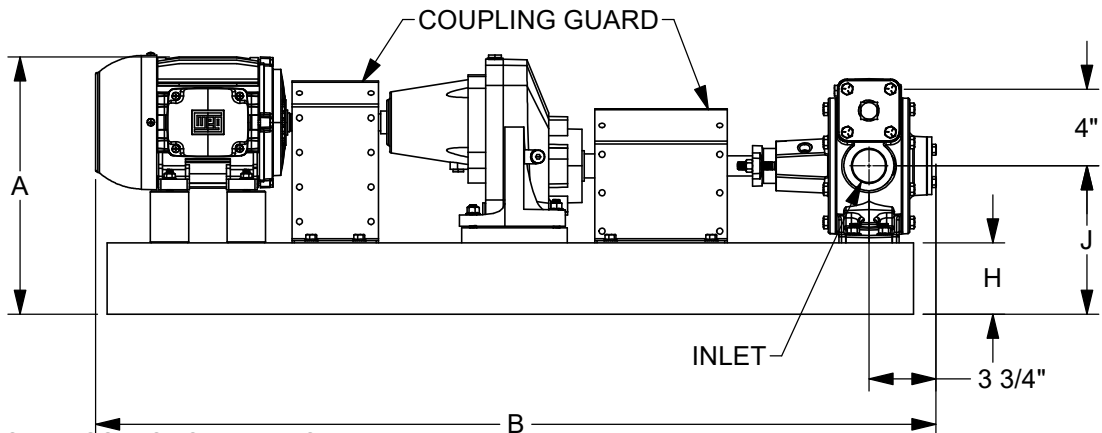
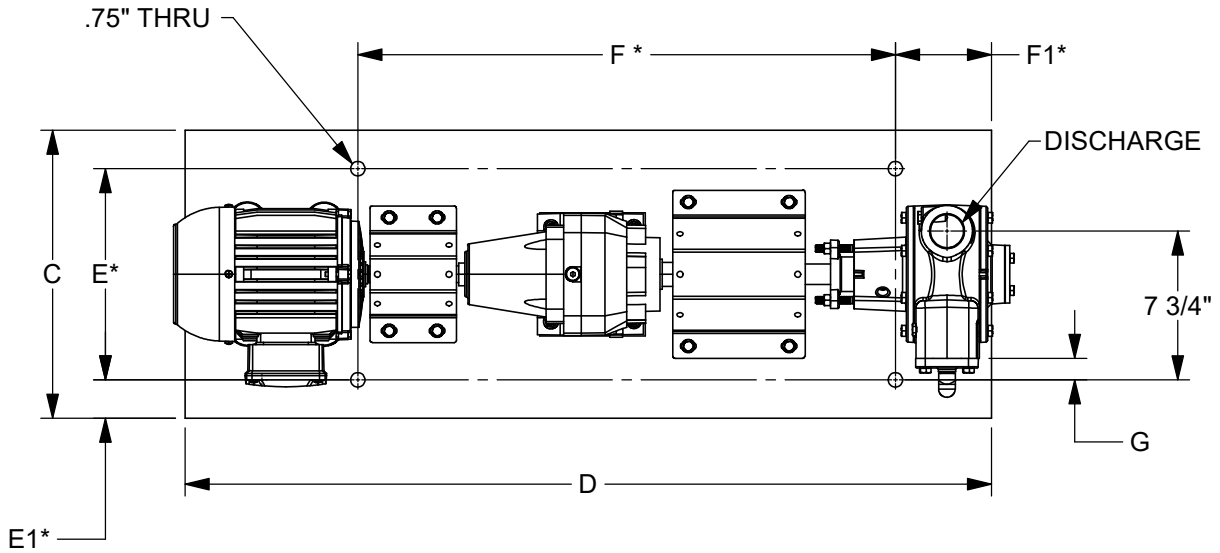
| | | |
|------|------|------------|
| TYPE | SIZE | UNIT STYLE |
| NP | 1.5B | SK571 |

| | |
|---------------------------------------|------------------|
| DIMENSIONS 103-103 | |
| Section Effective Replaces Page 2 / 4 | 103 SEP 2023 NEW |

RIGHT HAND ROTATION SHOWN.

*TOLERANCE $\pm 1/8"$

TOLERANCE ON OTHER DIMENSIONS $\pm 1/4"$



"A" DIMENSION LESS MOTOR EYEBOLT

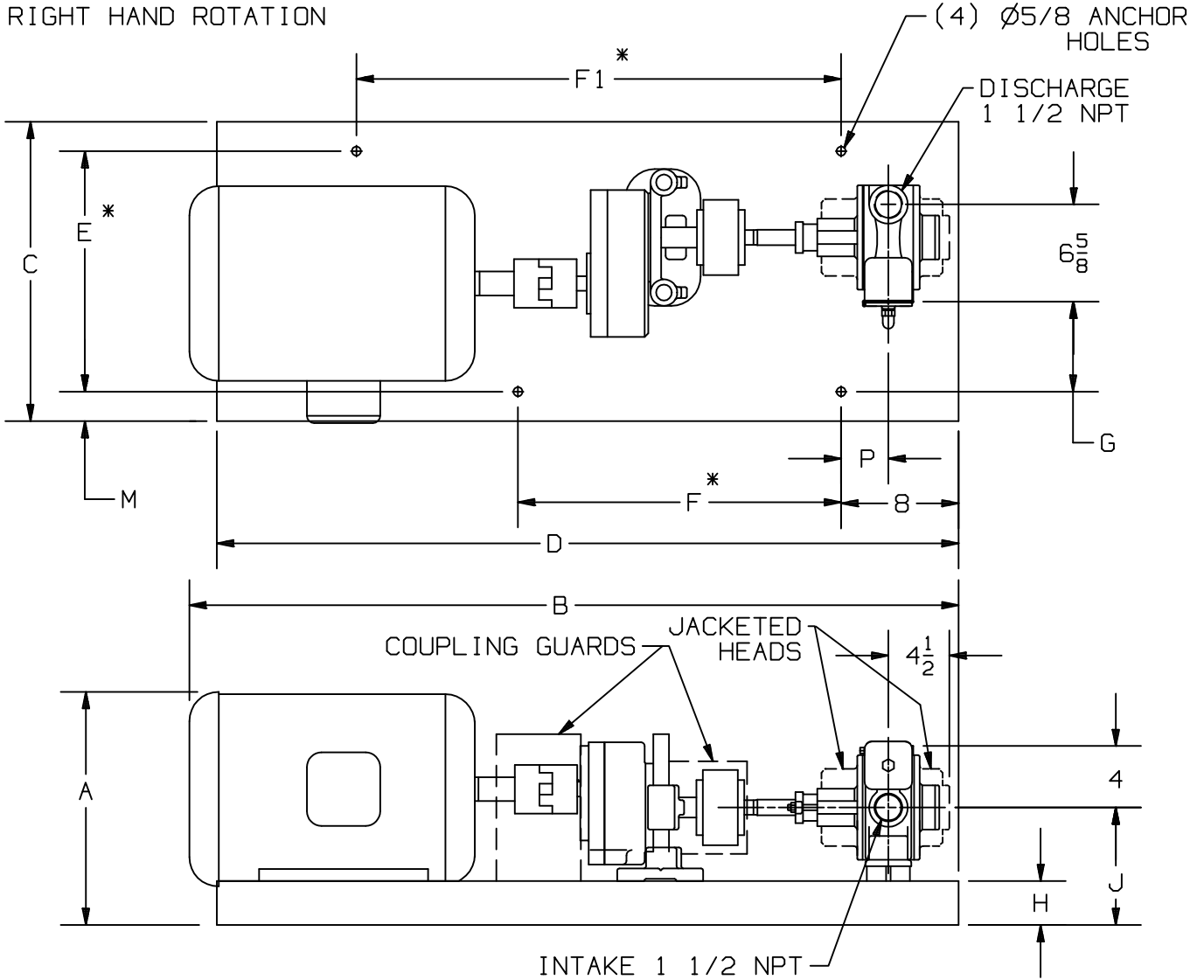
| MOTOR | | | BASE NO. | DIMENSIONS | | | | | | | | | | | APPROX. UNIT WT. - POUNDS | |
|------------|-------|------|----------|------------|----------|----|----|----|----|--------|----|-------|-------|-------|---------------------------|------------|
| FRAME SIZE | H.P. | RPM | | A | B | C | D | E | E1 | F | F1 | G | H | J | LESS MOTOR | INCL MOTOR |
| 143T | 1 | 1800 | 901422 | 13 3/8 | 43 1/2 | 15 | 42 | 11 | 2 | 28 | 5 | 1 1/8 | 3 3/4 | 7 3/4 | 300 | 350 |
| 145T | 2 | 1800 | 901422 | 13 3/8 | 44 1/2 | 15 | 42 | 11 | 2 | 28 | 5 | 1 1/8 | 3 3/4 | 7 3/4 | 300 | 350 |
| 182T | 3 | 1800 | 901428 | 14 5/16 | 46 | 15 | 45 | 11 | 2 | 27 1/2 | 5 | 1 1/8 | 3 3/4 | 7 3/4 | 310 | 400 |
| 184T | 5 | 1800 | 901428 | 14 5/16 | 47 | 15 | 45 | 11 | 2 | 27 1/2 | 5 | 1 1/8 | 3 3/4 | 7 3/4 | 310 | 410 |
| 213T | 7 1/2 | 1800 | 901435 | 15 1/2 | 49 1/8 | 18 | 50 | 14 | 2 | 27 | 8 | 2 5/8 | 4 1/8 | 8 1/8 | 320 | 470 |
| 215T | 10 | 1800 | 901435 | 15 3/4 | 50 15/16 | 18 | 50 | 14 | 2 | 27 | 8 | 2 5/8 | 4 1/8 | 8 1/8 | 320 | 480 |

| | | |
|------|------|------------|
| TYPE | SIZE | UNIT STYLE |
| NP | 1.5B | HRA |

DIMENSIONS 103-103

Section Effective Replaces Page 3/4
103
Sept 2023
Nov 2001

RIGHT HAND ROTATION



* TOLERANCE ±1/8
TOLERANCE ON OTHER DIMENSIONS ±1/4
"A" DIMENSION LESS EYEBOLT

| MOTOR | | | BASE NO. | DIMENSIONS | | | | | | | | | | | | | | |
|------------|--|--|----------|------------|--------|--------|--------|--------|----|----------------|-------|-------|-------|-------|-------|--|--|--|
| FRAME SIZE | | | | A | B | C | D | E | F | F ₁ | G | H | J | M | P | | | |
| 143T | | | 901795 | 9 3/4 | 45 3/8 | 17 1/4 | 44 | 14 | 15 | 26 | 5 | 2 1/4 | 7 1/4 | 1 5/8 | 4 1/8 | | | |
| 145T | | | 901795 | 9 3/4 | 45 3/8 | 17 1/4 | 44 | 14 | 15 | 26 | 5 | 2 1/4 | 7 1/4 | 1 5/8 | 4 1/8 | | | |
| 182T | | | 901795 | 11 7/8 | 45 3/8 | 17 1/4 | 44 | 14 | 15 | 26 | 5 | 2 1/4 | 7 1/4 | 1 5/8 | 4 1/8 | | | |
| 184T | | | 901795 | 11 7/8 | 46 1/8 | 17 1/4 | 44 | 14 | 15 | 26 | 5 | 2 1/4 | 7 1/4 | 1 5/8 | 4 1/8 | | | |
| 213T | | | 901794 | 14 1/8 | 51 1/4 | 20 3/8 | 50 1/2 | 16 3/8 | 22 | 33 | 6 1/8 | 3 | 8 | 2 | 3 1/4 | | | |
| 215T | | | 901794 | 14 1/8 | 51 1/4 | 20 3/8 | 50 1/2 | 16 3/8 | 22 | 33 | 6 1/8 | 3 | 8 | 2 | 3 1/4 | | | |
| 254T | | | 901794 | 16 3/8 | 53 1/8 | 20 3/8 | 50 1/2 | 16 3/8 | 22 | 33 | 6 1/8 | 3 | 8 | 2 | 3 1/4 | | | |
| 256T | | | 901794 | 16 3/8 | 54 7/8 | 20 3/8 | 50 1/2 | 16 3/8 | 22 | 33 | 6 1/8 | 3 | 8 | 2 | 3 1/4 | | | |

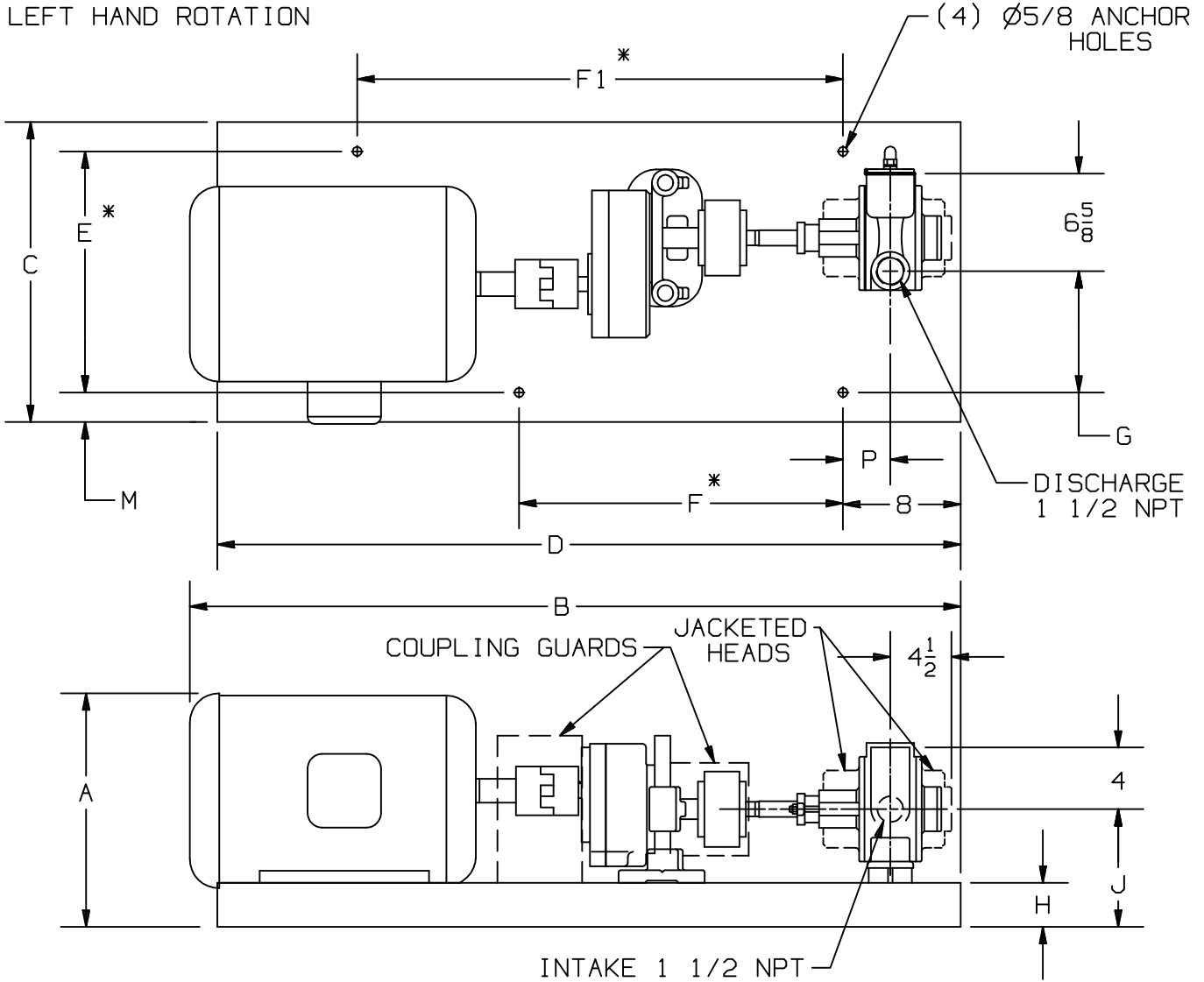
DIMENSIONS 103-103

Section 103
 Effective Sept 2023
 Replaces Nov 2001
 Page 4/4

| | | |
|------|------|------------|
| TYPE | SIZE | UNIT STYLE |
| NP | 1.5B | HRA |



LEFT HAND ROTATION



* TOLERANCE ±1/8
 TOLERANCE ON OTHER DIMENSIONS ±1/4
 "A" DIMENSION LESS EYEBOLT

| MOTOR | | BASE NO. | DIMENSIONS | | | | | | | | | | | | | | |
|------------|--|----------|------------|--------|--------|--------|--------|----|----------------|-------|-------|-------|-------|-------|--|--|--|
| FRAME SIZE | | | A | B | C | D | E | F | F ₁ | G | H | J | M | P | | | |
| 143T | | 901795 | 9 3/4 | 45 3/8 | 17 1/4 | 44 | 14 | 15 | 26 | 7 1/8 | 2 1/4 | 7 1/4 | 1 5/8 | 4 1/8 | | | |
| 145T | | 901795 | 9 3/4 | 45 3/8 | 17 1/4 | 44 | 14 | 15 | 26 | 7 1/8 | 2 1/4 | 7 1/4 | 1 5/8 | 4 1/8 | | | |
| 182T | | 901795 | 11 7/8 | 45 3/8 | 17 1/4 | 44 | 14 | 15 | 26 | 7 1/8 | 2 1/4 | 7 1/4 | 1 5/8 | 4 1/8 | | | |
| 184T | | 901795 | 11 7/8 | 46 1/8 | 17 1/4 | 44 | 14 | 15 | 26 | 7 1/8 | 2 1/4 | 7 1/4 | 1 5/8 | 4 1/8 | | | |
| 213T | | 901794 | 14 1/8 | 51 1/4 | 20 3/8 | 50 1/2 | 16 3/8 | 22 | 33 | 8 1/4 | 3 | 8 | 2 | 3 1/4 | | | |
| 215T | | 901794 | 14 1/8 | 51 1/4 | 20 3/8 | 50 1/2 | 16 3/8 | 22 | 33 | 8 1/4 | 3 | 8 | 2 | 3 1/4 | | | |
| 254T | | 901794 | 16 3/8 | 53 1/8 | 20 3/8 | 50 1/2 | 16 3/8 | 22 | 33 | 8 1/4 | 3 | 8 | 2 | 3 1/4 | | | |
| 256T | | 901794 | 16 3/8 | 54 7/8 | 20 3/8 | 50 1/2 | 16 3/8 | 22 | 33 | 8 1/4 | 3 | 8 | 2 | 3 1/4 | | | |