
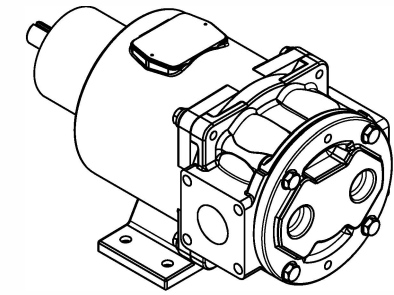
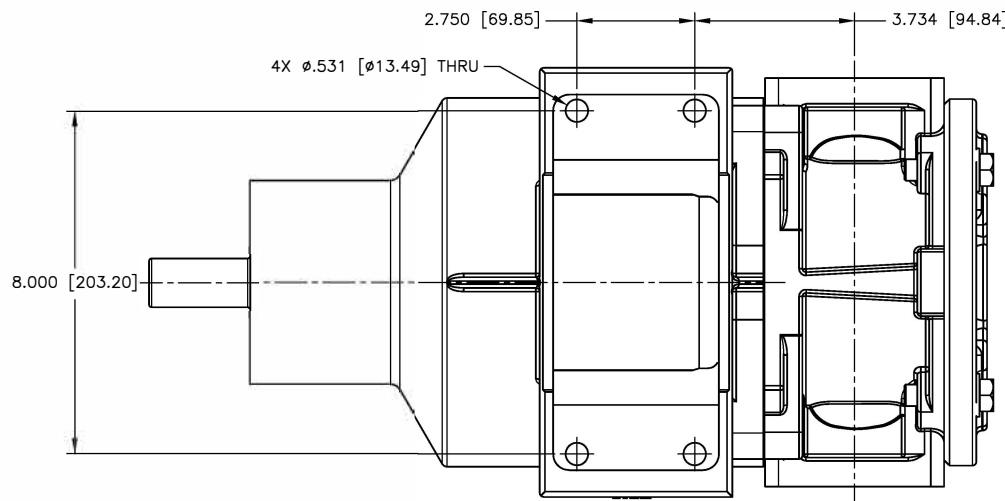
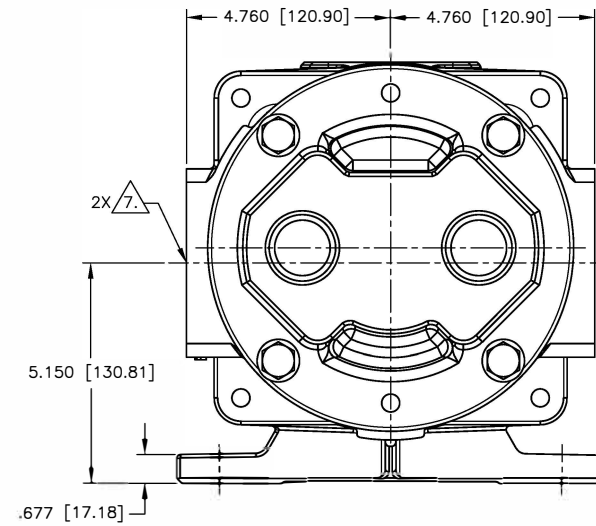
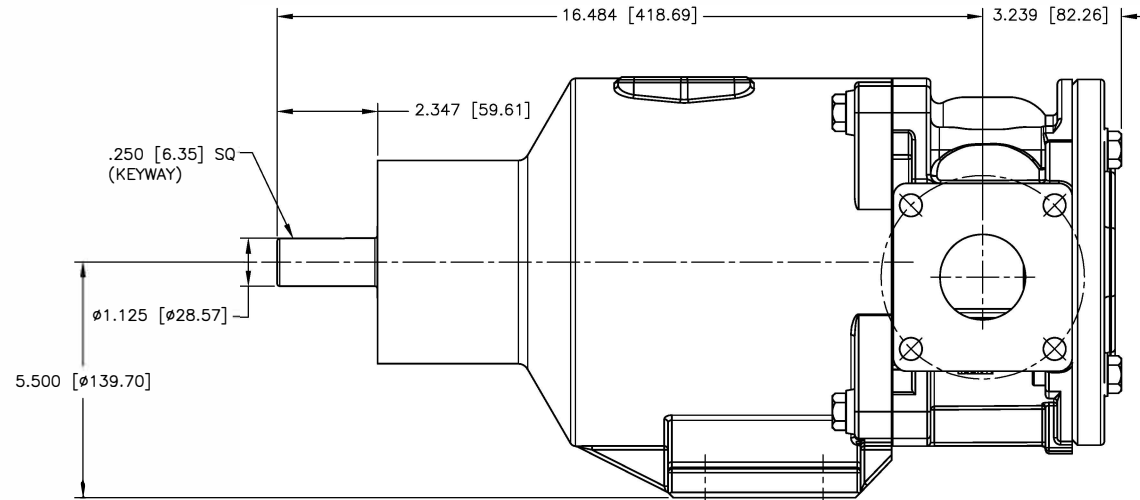



NOTES: UNLESS OTHERWISE SPECIFIED

1. DIMENSIONS AND TOLERANCES PER ASME Y14.5M-1994.
2. \* INDICATES DIMENSIONS AND/OR FEATURES MODIFIED ON CURRENT REVISION LEVEL.
3. ALL DIMENSIONS ARE FOR REFERENCE ONLY.
4. DIMENSIONS IN [ ] ARE MILLIMETERS.
5. PORT ORIENTATION SHOWN MAY BE DIFFERENT THAN THE SELECTED ORIENTATION.
6. THIS DRAWING DOES NOT SHOW DETAILS OF ALL OPTIONS AND ACCESSORIES.
7.  ANSI 150# COMPATIBLE FLANGES. SEE FLANGE CHART FOR DIMENSIONS.

FLANGE DIMENSIONS			
2" ANSI 150# COMPATIBLE			
NOMINAL PIPE SIZE	BOLT CIRCLE DIA	NO OF BOLTS	BOLT HOLE SIZE
2.00 [50.8]	4.75 [120.7]	4	0.625-11 UNC-2B

REV.	DESCRIPTION	BY	CHK.	APP.	DATE
A	RELEASED INTO PRODUCTION SEE ECN #E00122	-	-	-	-
B	SEE ECN #E00195	C.L.	R.A.	J.F.	02/21/14
C	SEE ECN #E00284	HARI	C.L.	B.W.	10/18/16



DO NOT SCALE DRAWING				BLACKMER PUMPS 1809 CENTURY AVE SW GRAND RAPIDS, MI USA 49503 TELEPHONE: 616-241-1511 WWW.BLACKMER.COM	
UNLESS OTHERWISE SPECIFIED DIMENSIONS ARE IN INCHES TOLERANCES ARE:		TITLE E1-24/32, 2" ANSI, 180 DEG, W/O PRV DIMENSIONAL DRAWING			
DECIMALS .XX ± -	DRAWN BY C. LEOPOLD	DATE 01/24/13	ASSY. NO.		
.XXX ± -	CHECKED BY R. ANDRADE	DATE 02/13/13	DRAWING NO.		
ANGLES ± -	APPROVED BY N. WINSOR	DATE 02/13/13	REV.	LE0011	
SCALE 1/2	SHEET 1 OF 1				

THIS DOCUMENT AND ITS CONTENTS ARE PROPRIETARY TO ENVIROGEAR INTERNAL GEAR PUMP. ANY REPRODUCTION, DISCLOSURE OR USE OF THIS DOCUMENT IS EXPRESSLY PROHIBITED EXCEPT AS OTHERWISE AGREED TO IN WRITING.