

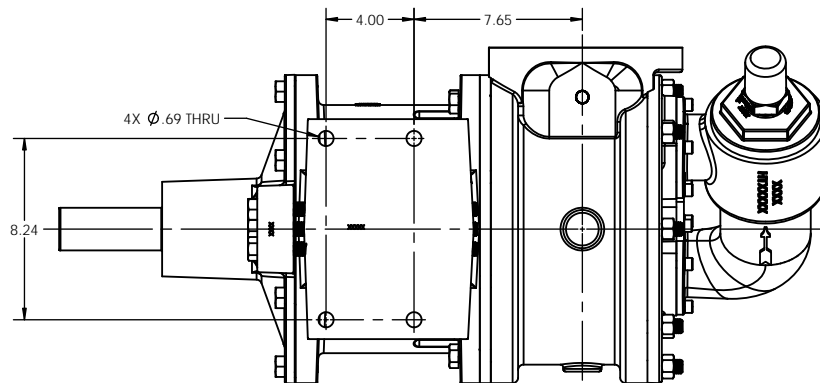
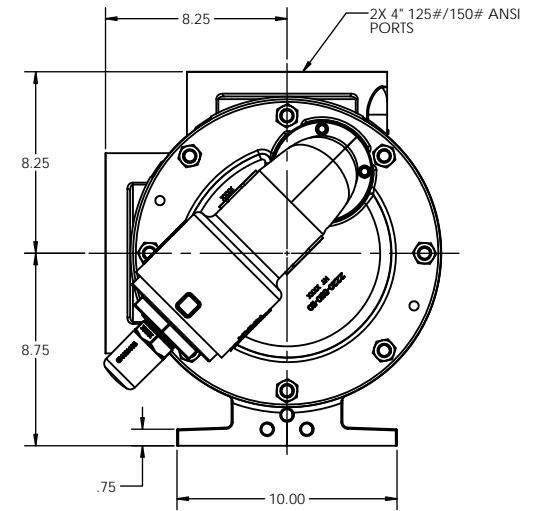
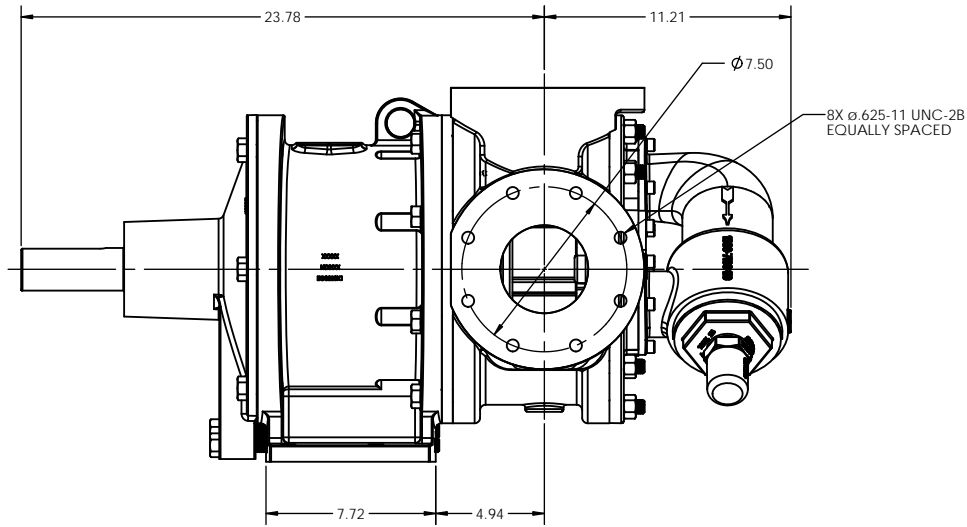
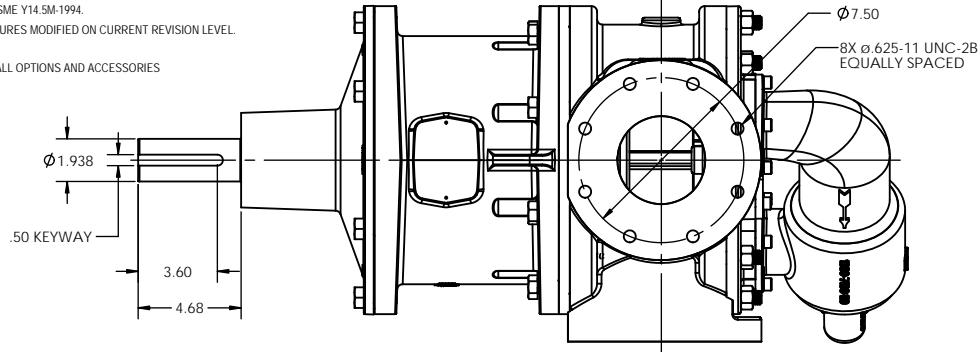
CAD generated and maintained drawing. All printed and electronic copies outside of EnviroGear's engineering database are "Uncontrolled" and shall be used for reference only.

NOTES: UNLESS OTHERWISE SPECIFIED

1. DIMENSIONS AND TOLERANCES PER ASME Y14.5M-1994.
2. \* INDICATES DIMENSIONS AND/OR FEATURES MODIFIED ON CURRENT REVISION LEVEL.

THIS DRAWING DOES NOT SHOW DETAILS OF ALL OPTIONS AND ACCESSORIES

REV.	DESCRIPTION	BY	CHECK	APPR.	DATE
A	RELEASED INTO PRODUCTION SEE ECN #E00301	-	-	-	-



THIS DOCUMENT AND ITS CONTENTS ARE PROPRIETARY TO ENVIROGEAR INTERNAL GEAR PUMP. ANY REPRODUCTION, DISCLOSURE OR USE OF THIS DOCUMENT IS EXPRESSLY PROHIBITED EXCEPT AS OTHERWISE AGREED TO IN WRITING.

DO NOT SCALE DRAWING				BLACKMER PUMPS 1809 CENTURY AVE SW GRAND RAPIDS, MI USA 49503 TELEPHONE: 616-241-1811 WWW.BLACKMER.COM	
UNLESS OTHERWISE SPECIFIED DIMENSIONS ARE IN INCHES TOLERANCES ARE:		TITLE <b>PUMP ASSEMBLY, DIMENSIONAL</b> <b>E1-133</b>			
DECIMALS	.XX ± .01	DRAWN BY	C. SHAFER	DATE	7/10/2017
	.XXX ± .005	CHECKED BY	C. LEOPOLD	DATE	7/10/2017
ANGLES	± 1/2°	APPROVED BY	B. SANDORE	DATE	7/10/2017
SCALE	NONE	SHEET	1 OF 1	DRAWING NO.	LE0112
					REV.
					A