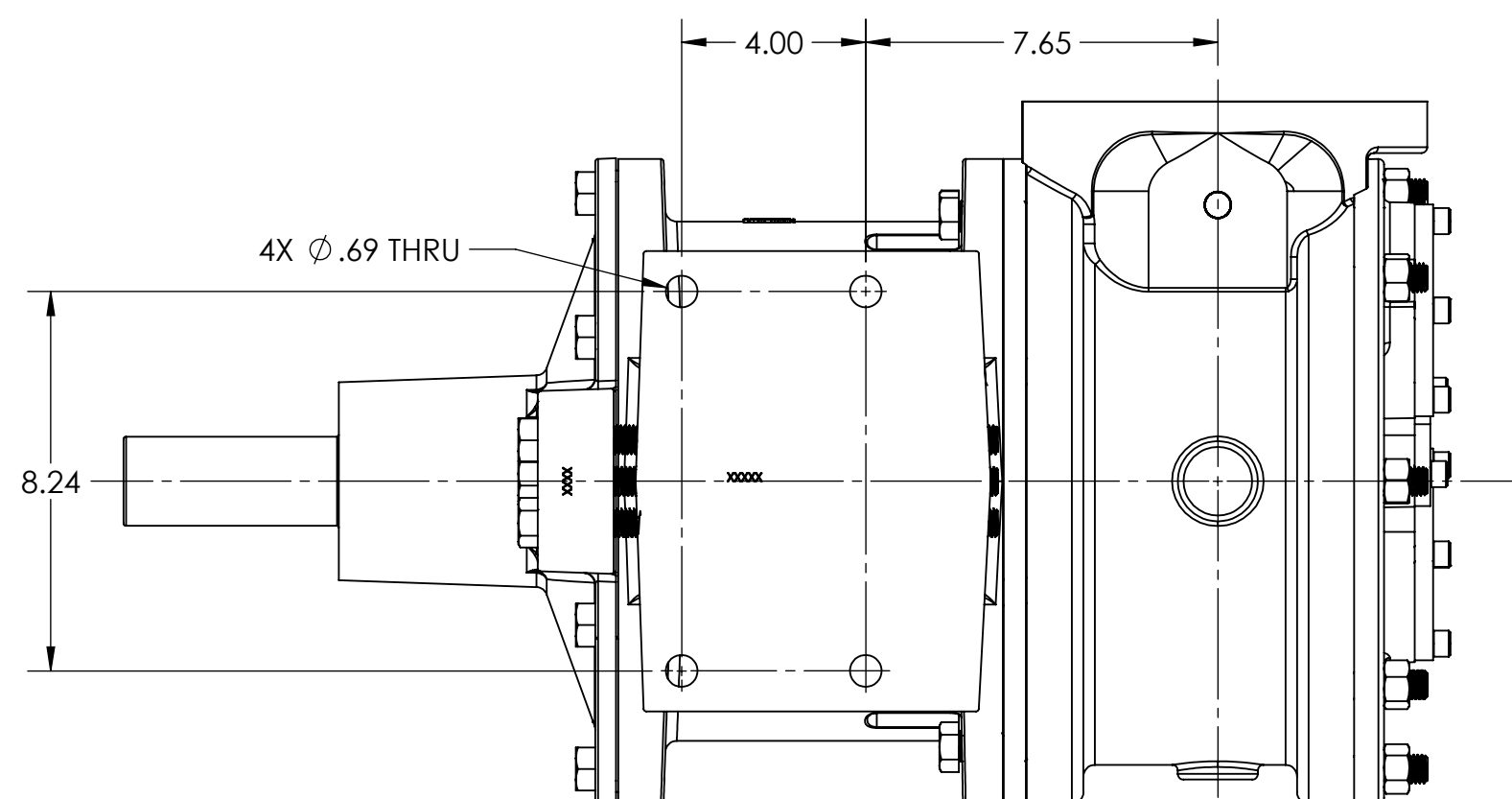
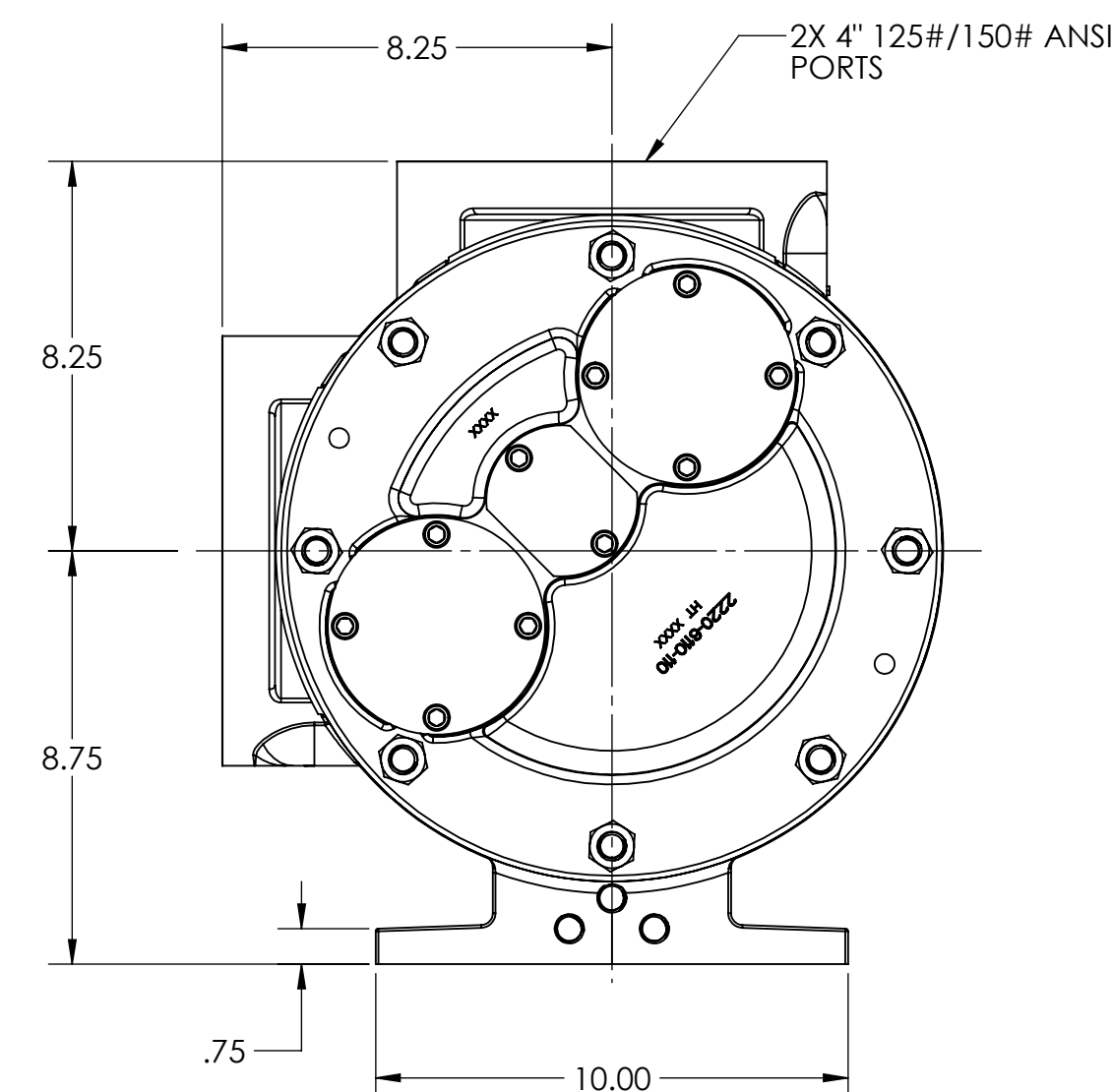
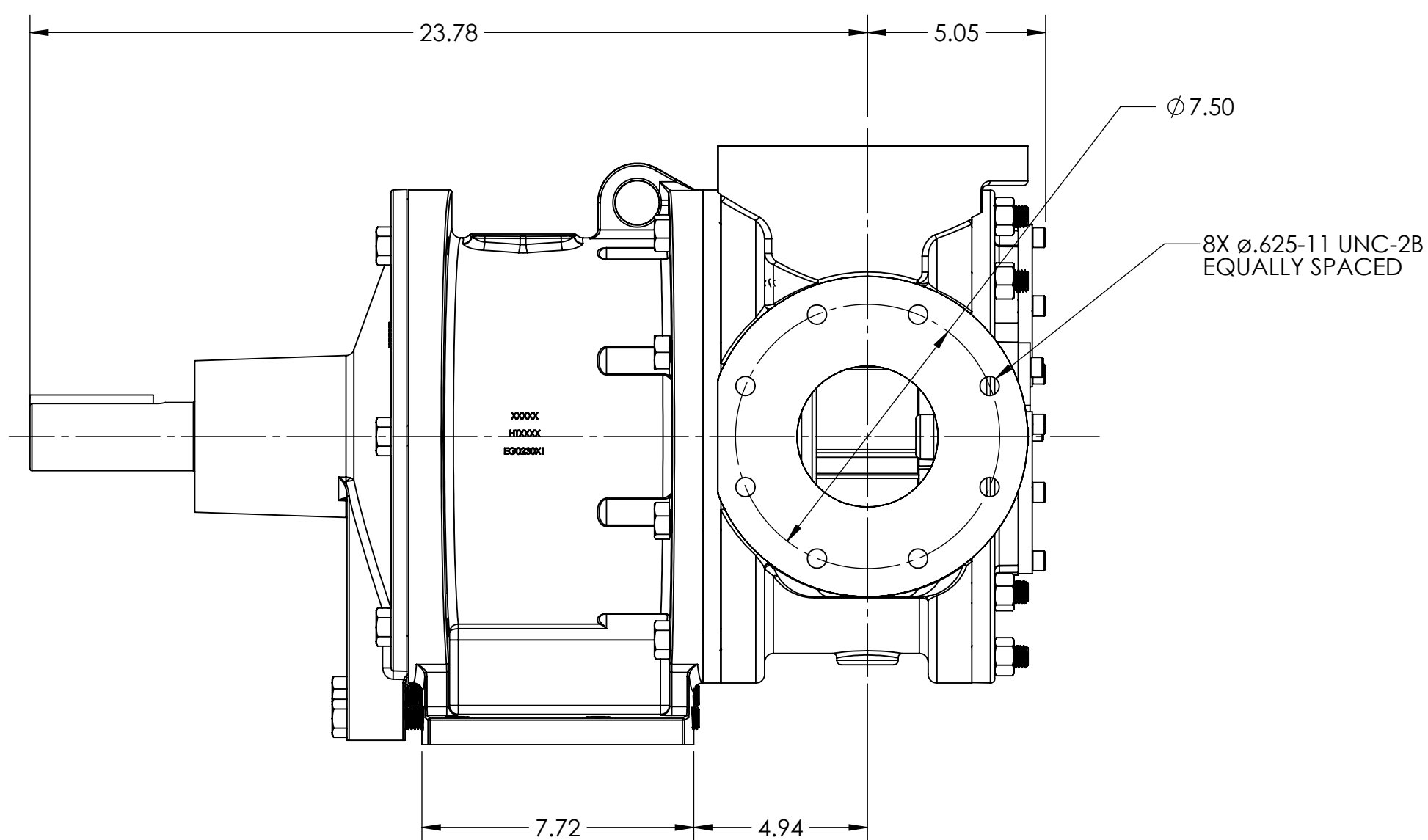
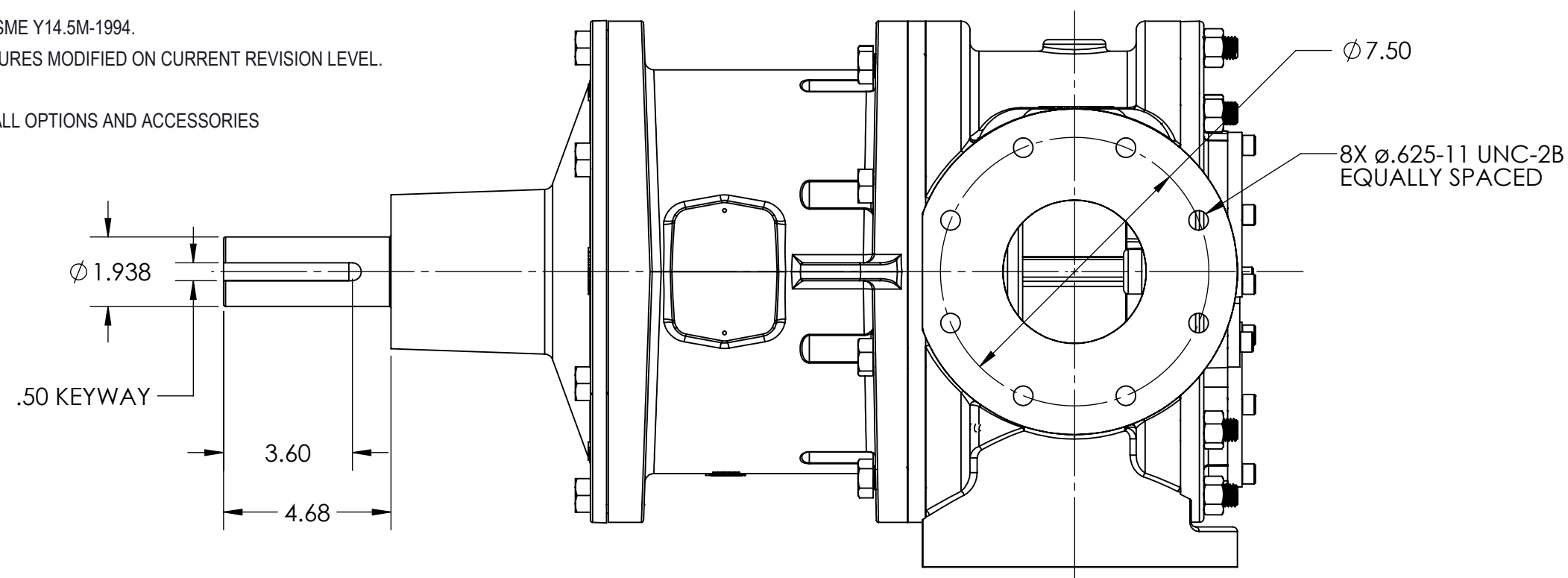


NOTES: UNLESS OTHERWISE SPECIFIED


1. DIMENSIONS AND TOLERANCES PER ASME Y14.5M-1994.
2. * INDICATES DIMENSIONS AND/OR FEATURES MODIFIED ON CURRENT REVISION LEVEL.

THIS DRAWING DOES NOT SHOW DETAILS OF ALL OPTIONS AND ACCESSORIES

REV.	DESCRIPTION	BY	CHECK	APPR.	DATE
X	X	-	-	-	-



THIS DOCUMENT AND ITS CONTENTS ARE PROPRIETARY TO ENVIROGEAR INTERNAL GEAR PUMP ANY REPRODUCTION, DISCLOSURE OR USE OF THIS DOCUMENT IS EXPRESSLY PROHIBITED EXCEPT AS OTHERWISE AGREED TO IN WRITING

DO NOT SCALE DRAWING UNLESS OTHERWISE SPECIFIED DIMENSIONS ARE IN INCHES TOLERANCES ARE:		 BLACKMER® PUMPS 1808 CENTURY AVE SW GRAND RAPIDS, MI USA 49503 TELEPHONE: 516-241-1511 WWW.BLACKMER.COM	
TITLE PUMP ASSEMBLY, DIMENSIONAL E1-133, non-PRV		ASSY NO.	
DECIMALS .XX ± .01	DRAWN BY C. SHAFER	DATE 9/15/2017	DRAWING NO.
DECIMALS .XXX ± .005	CHECKED BY	DATE	REV.
ANGLES ± 1/2°	APPROVED BY	DATE	LE0114
SCALE NONE	SHEET 1 OF 1		A