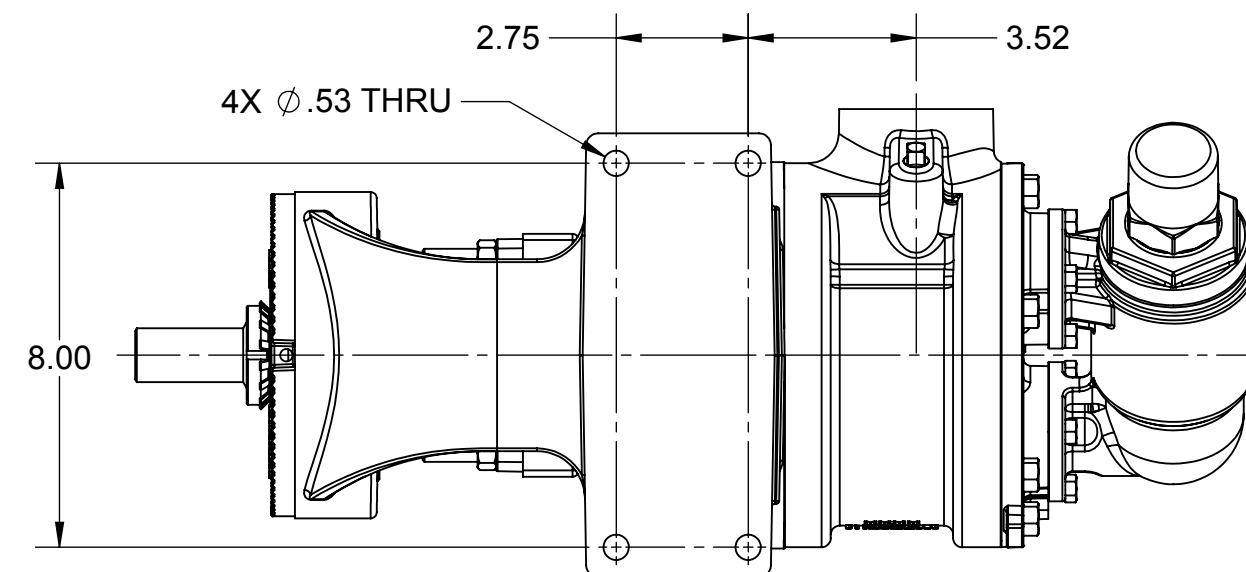
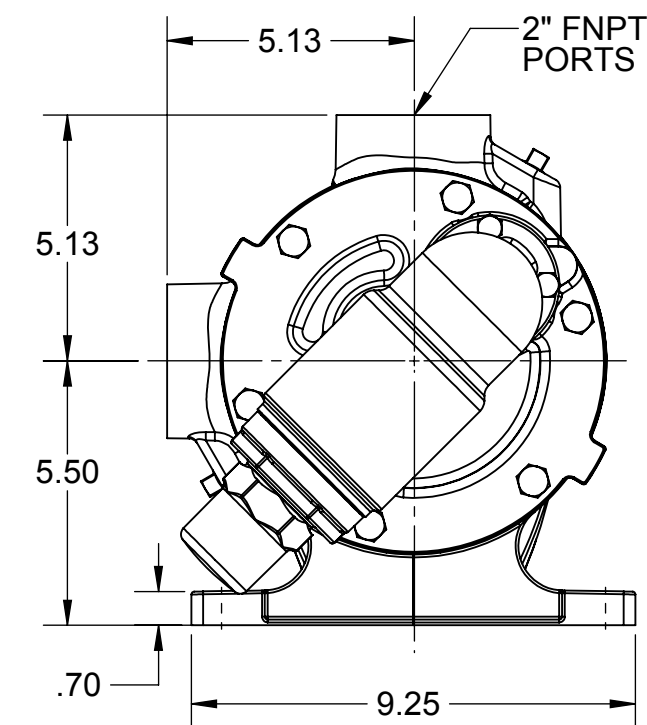
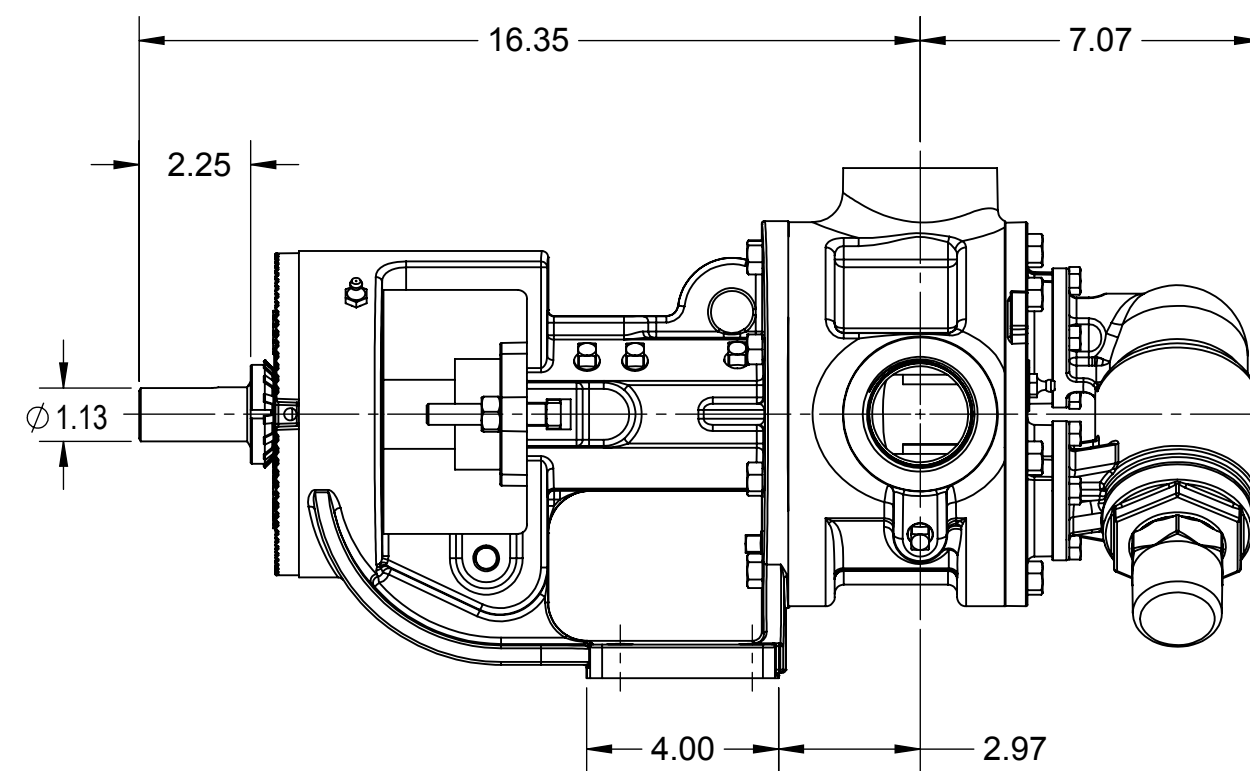
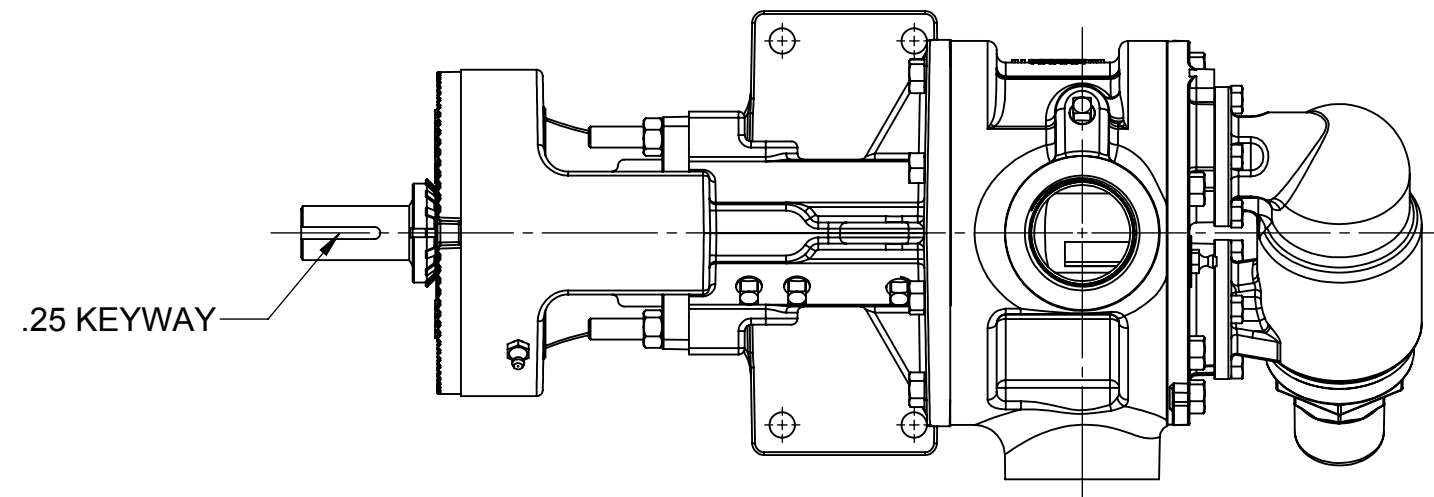


NOTES: UNLESS OTHERWISE SPECIFIED

1. DIMENSIONS AND TOLERANCES PER ASME Y14.5M-1994.
2. * INDICATES DIMENSIONS AND/OR FEATURES MODIFIED ON CURRENT REVISION LEVEL.

THIS DRAWING DOES NOT SHOW DETAILS OF ALL OPTIONS AND ACCESSORIES

REV	DESCRIPTION
A	RELEASED INTO PRODUCTION SEE ECN #N00007
B	SEE ECN #N00092
C	SEE ECN #N00225
D	SEE ECN #N00307



THIS DOCUMENT CONTAINS PROPRIETARY INFORMATION OF PSG - A DOVER COMPANY. ITS RECEIPT AND POSSESSION DO NOT CONVEY ANY RIGHTS TO REPRODUCE OR DISCLOSE ITS CONTENTS OR TO MANUFACTURE USE OR SELL ANYTHING IT MAY DESCRIBE. THIS DOCUMENT IS SUBJECT TO RETURN UPON REQUEST. REPRODUCTION, DISCLOSURE OR USE OF THIS DOCUMENT WITHOUT THE WRITTEN AUTHORIZATION OF DOVER CORPORATION IS STRICTLY FORBIDDEN.

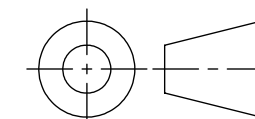
DO NOT SCALE DRAWING UNLESS OTHERWISE SPECIFIED
DIMENSIONS ARE IN INCHES
TOLERANCES ARE:

DECIMALS .XX ± -

.XXX ± -

ANGLES ± -

THIRD ANGLE PROJECTION



DRAWN BY C. LEOPOLD DATE 05/02/12

APPROVED BY J. FARLEY DATE 06/05/12



ENVIROGEAR® PUMPS
22069 VAN BUREN STREET
GRAND TERRACE, CA 92313 USA
909 422-1731
WWW.ENVIROGEARPUMP.COM

TITLE PUMP ASSEMBLY, DIMENSIONAL
INTERNAL GEAR, G1-24/32

SIZE C DRAWING NO. LM0003 REV. D

SCALE 1:4 SHEET 1 OF 1