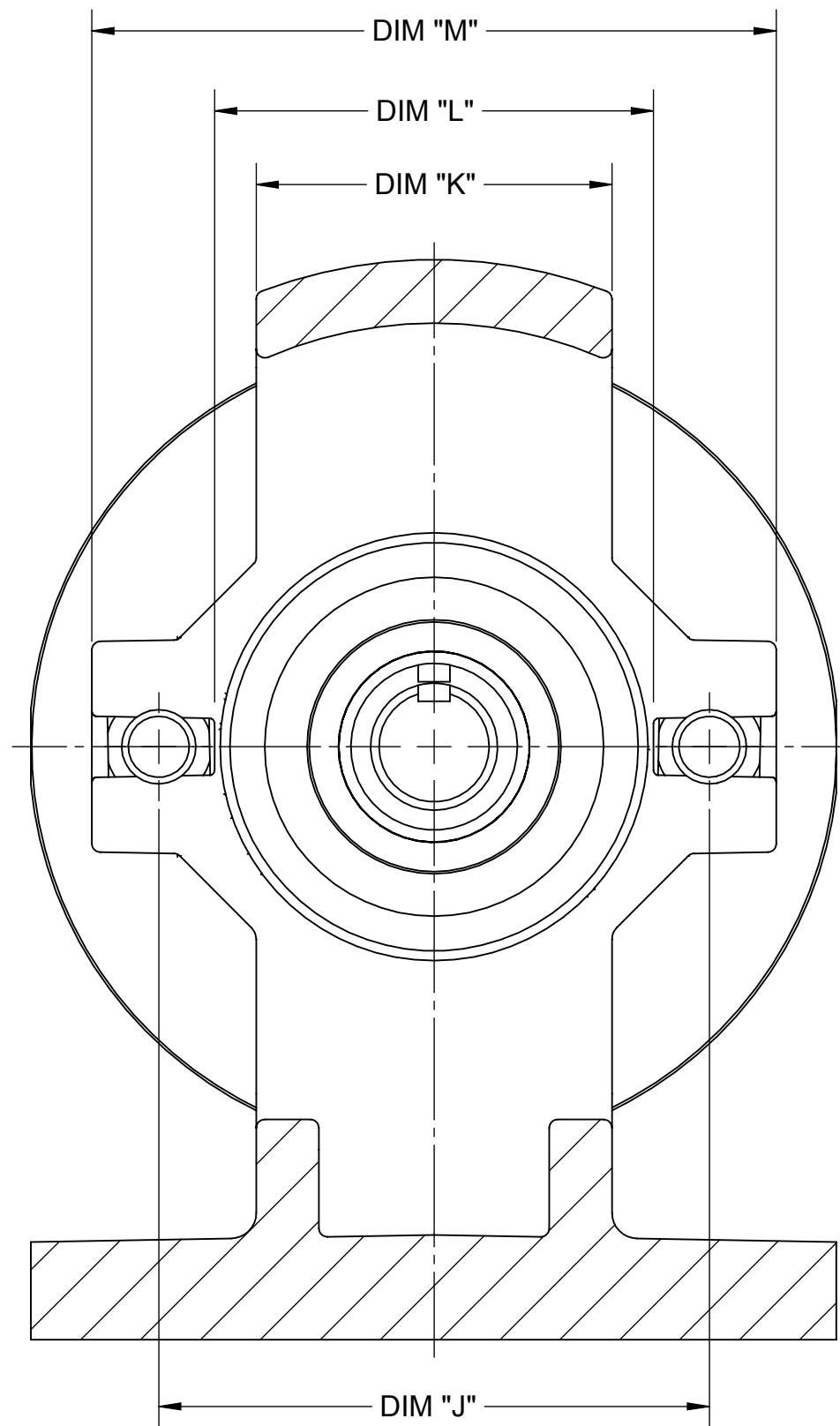


NOTES: UNLESS OTHERWISE SPECIFIED

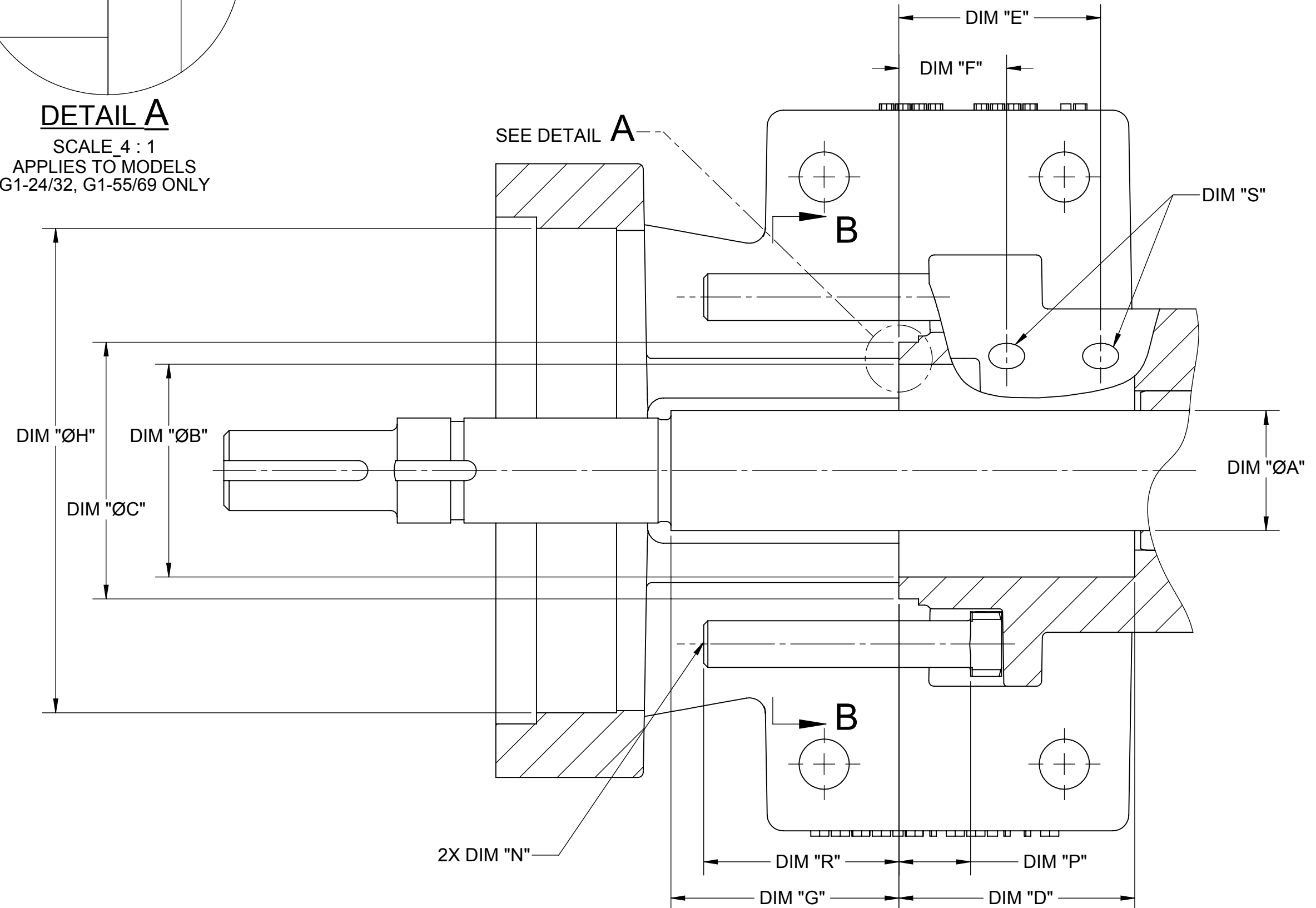
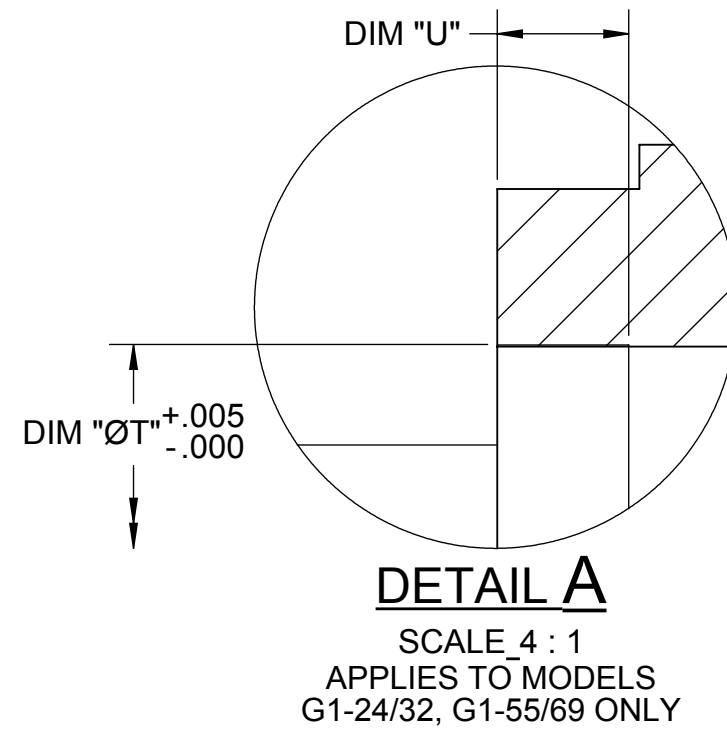
1. \* INDICATES DIMENSIONS AND/OR FEATURES MODIFIED ON CURRENT REVISION LEVEL.

DRAWING DOES NOT SHOW DETAILS OF ALL OPTIONS AND ACCESSORIES

REV	DESCRIPTION
A	RELEASED INTO PRODUCTION SEE ECN #N00036
B	SEE ECN #N00092
C	SEE ECN #E00252
D	SEE ECN #N00208
E	SEE ECN #N00213
F	SEE ECN #N00278
G	SEE ECN #N00326



**SECTION B-B**



PUMP SIZE	UNITS	DIM "ØA"	DIM "ØB"	DIM "ØC"	DIM "D"	DIM "E"	DIM "F"	DIM "G"	DIM "ØH"	DIM "J"	DIM "K"	DIM "L"	DIM "M"	DIM "N"	DIM "P"	DIM "R"	DIM "S"	DIM "ØT"	DIM "U"
G1-2/4	in	Ø1.13	Ø2.00	Ø2.41	2.21	1.89	1.01	2.30	Ø4.50	3.00-3.50	2.10	2.60	4.00	5/16-18 UNC	.70	1.55	1/8" FNPT	N/A	N/A
	mm	Ø28.45	Ø50.80	Ø61.21	56.31	48.01	25.61	58.42	Ø114.3	76.2-88.9	53.34	66.04	101.6	-	17.78	39.37	-	N/A	N/A
G1-24/32	in	Ø1.44	Ø2.31	N/A	3.125	2.25	1.25	3.00	Ø5.25	3.50-4.50	2.56	3.00	5.00	7/16-14 UNC	.41	2.09	1/4" FNPT	Ø2.688	.125
	mm	Ø36.58	Ø58.67	N/A	79.375	57.14	31.75	76.20	Ø133.35	88.9-114.3	65.02	76.20	127.00	-	10.41	53.09	-	Ø68.275	3.175
G1-55/69	in	Ø1.44	Ø2.31	N/A	3.125	2.25	1.25	4.06	Ø5.25	3.50-4.50	2.80	3.00	5.00	7/16-14 UNC	.26	2.24	1/4" FNPT	Ø2.688	.125
	mm	Ø36.58	Ø58.67	N/A	79.375	57.14	31.75	103.12	Ø133.35	88.9-114.3	71.12	76.20	127.00	-	6.60	56.90	-	Ø68.275	3.175
G1-82	in	Ø1.63	Ø2.375	N/A	2.70	2.25	1.15	3.52	Ø5.25	3.25-4.50	3.00	3.00	5.00	7/16-14 UNC	.44	1.81	1/4" FNPT	N/A	N/A
	mm	Ø41.4	Ø60.3	N/A	68.6	57.1	29.2	89.4	Ø133.3	82.6-14.3	76.2	76.2	127.00	-	11.2	46.0	-	N/A	N/A
G1-133/222	in	Ø2.44	Ø3.42	N/A	4.00	2.50	1.55	4.10	Ø6.75	5.50-6.25	3.36	5.30	7.32	5/8-11 UNC	.70	2.30	1/4" FNPT	N/A	N/A
	mm	Ø62.0	Ø86.9	N/A	101.6	63.5	39.4	104.1	Ø171.5	139.7-158.7	85.3	134.6	186.00	-	17.8	58.4	-	N/A	N/A

THIS DOCUMENT CONTAINS PROPRIETARY INFORMATION OF PSG - A DOVER COMPANY. ITS RECEIPT AND POSSESSION DO NOT CONVEY ANY RIGHTS TO REPRODUCE OR DISCLOSE ITS CONTENTS OR TO MANUFACTURE USE OR SELL ANYTHING IT MAY DESCRIBE. THIS DOCUMENT IS SUBJECT TO RETURN UPON REQUEST. REPRODUCTION, DISCLOSURE OR USE OF THIS DOCUMENT WITHOUT THE WRITTEN AUTHORIZATION OF DOVER CORPORATION IS STRICTLY FORBIDDEN.

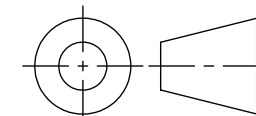
**DO NOT SCALE DRAWING**  
UNLESS OTHERWISE SPECIFIED  
DIMENSIONS ARE IN INCHES  
TOLERANCES ARE:

DECIMALS .XX ± -

.XXX ± -

ANGLES ± -

THIRD ANGLE PROJECTION



DRAWN BY C. LEOPOLD DATE 10/09/12

APPROVED BY J. FARLEY DATE 10/15/12



BLACKMER® PUMPS  
1809 CENTURY AVE SW  
GRAND RAPIDS, MI USA 49503  
TELEPHONE: 616-241-1611  
WWW.BLACKMER.COM

TITLE		<b>SEAL CHAMBER G-SERIES</b>	
SIZE	DRAWING NO.	REV.	
C	LM0011	G	
SCALE	1:1	SHEET	1 OF 1