

CAD generated and maintained drawing. All printed and electronic copies outside of EnviroGear's engineering database are "Uncontrolled" and shall be used for reference only.

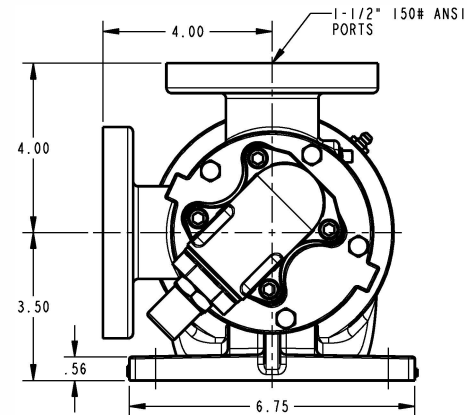
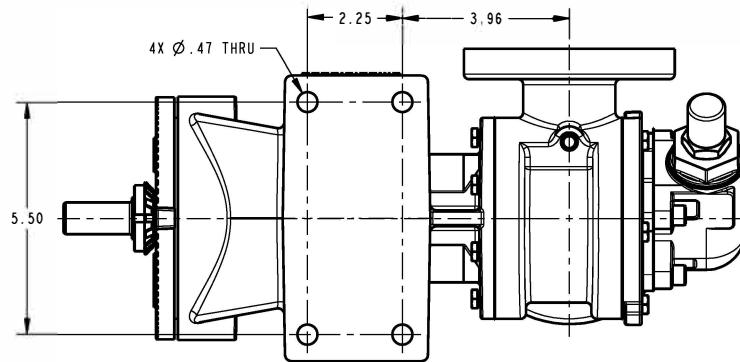
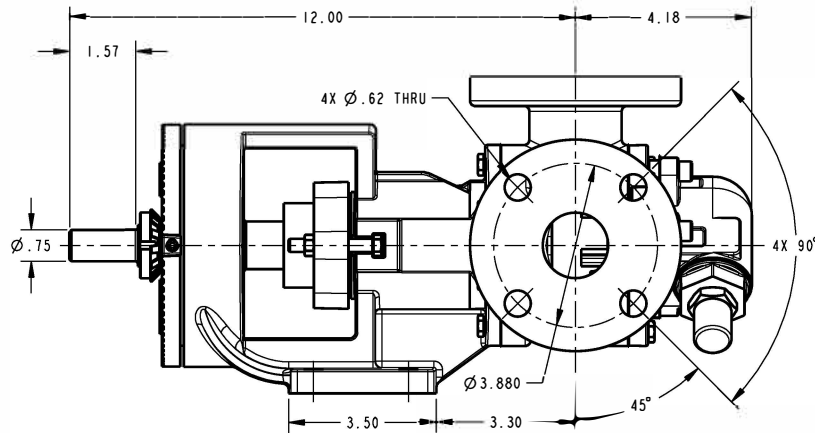
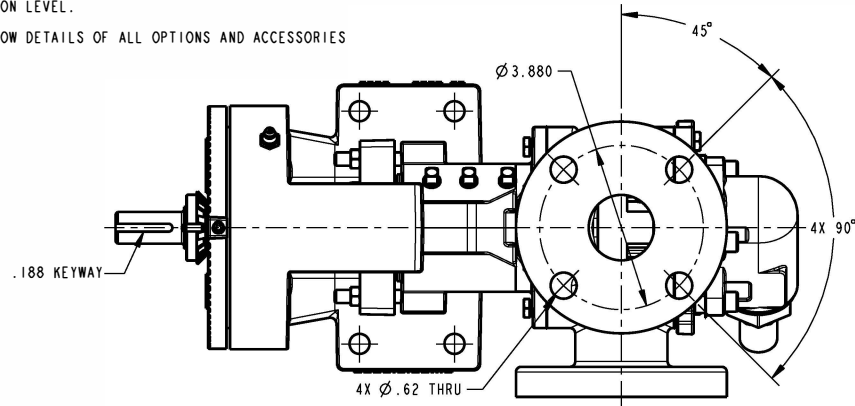
NOTES: UNLESS OTHERWISE SPECIFIED

1. DIMENSIONS AND TOLERANCES PER ASME Y14.5M-1994.

2. * INDICATES DIMENSIONS AND/OR FEATURES MODIFIED ON CURRENT REVISION LEVEL.

THIS DRAWING DOES NOT SHOW DETAILS OF ALL OPTIONS AND ACCESSORIES

REV.	DESCRIPTION	BY	CHK.	APP.	DATE
A	RELEASED INTO PRODUCTION SEE ECN #N00193	-	-	-	-
B	SEE ECN #N00225	M.S	R.A.	N.O.	3/15/16



DO NOT SCALE DRAWING UNLESS OTHERWISE SPECIFIED DIMENSIONS ARE IN INCHES TOLERANCE ARE:				BLACKMER® PUMPS 1809 CENTURY AVE SW GRAND RAPIDS, MI USA 49503 TELEPHONE: 616-241-1611 WWW.BLACKMER.COM		EnviroGear® Internal Gear Pumps 22069 VAN BUREN STREET GRAND TERRACE, CA 92313-5607 909-422-1131 WWW.ENVIROGEARPUMP.COM			
DECIMALS .XX ± -		TITLE PUMP ASSEMBLY, DIMENSIONAL GI-2/4, FLANGED		DRAWN BY C. LEOPOLD		DATE 06/29/15		APP. NO.	
ANGLES ± -		CHECKED BY R. SCHWARTZ		DATE 06/29/15		DRAWING NO.		REV.	
SCALE 1/2		SHEET 1 OF 1		APPROVED BY N. ORTEGA		DATE 06/29/15		LM0021 B	

THIS DOCUMENT AND ITS CONTENTS ARE PROPRIETARY TO
 ENVIROGEAR INTERNAL GEAR PUMP. ANY REPRODUCTION,
 DISCLOSURE OR USE OF THIS DOCUMENT IS EXPRESSLY
 PROHIBITED EXCEPT AS OTHERWISE AGREED TO IN WRITING.