

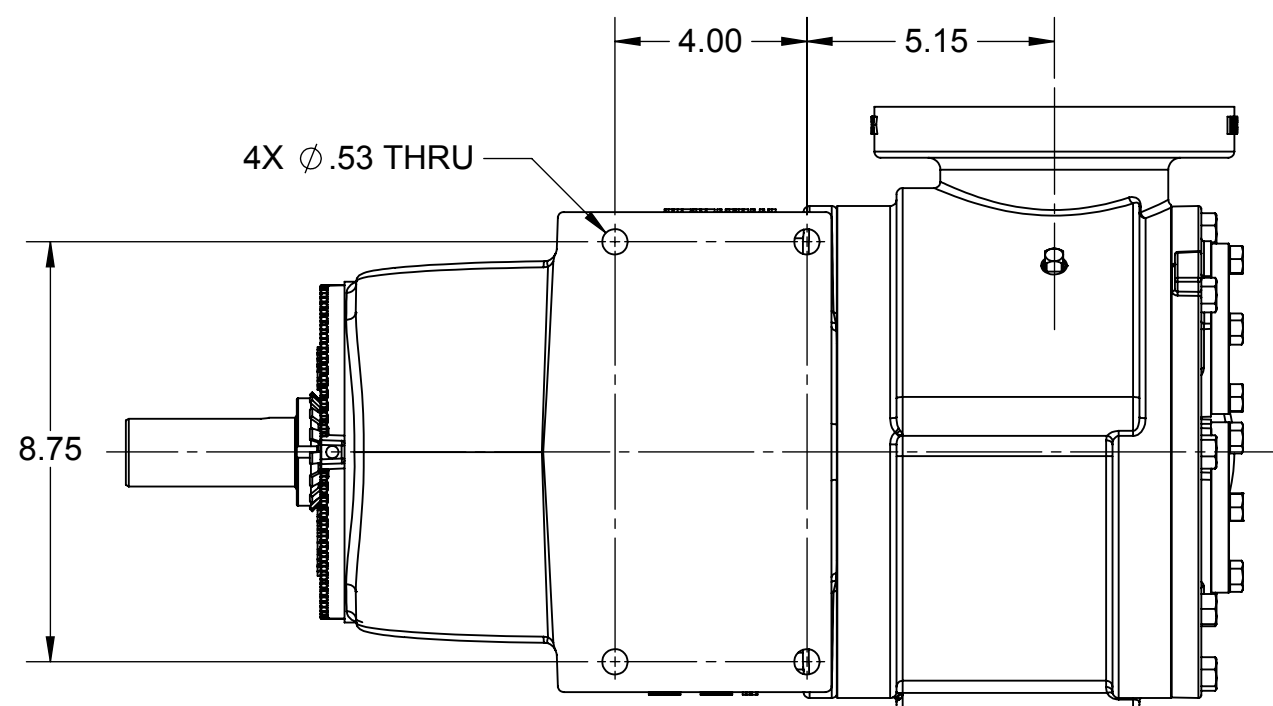
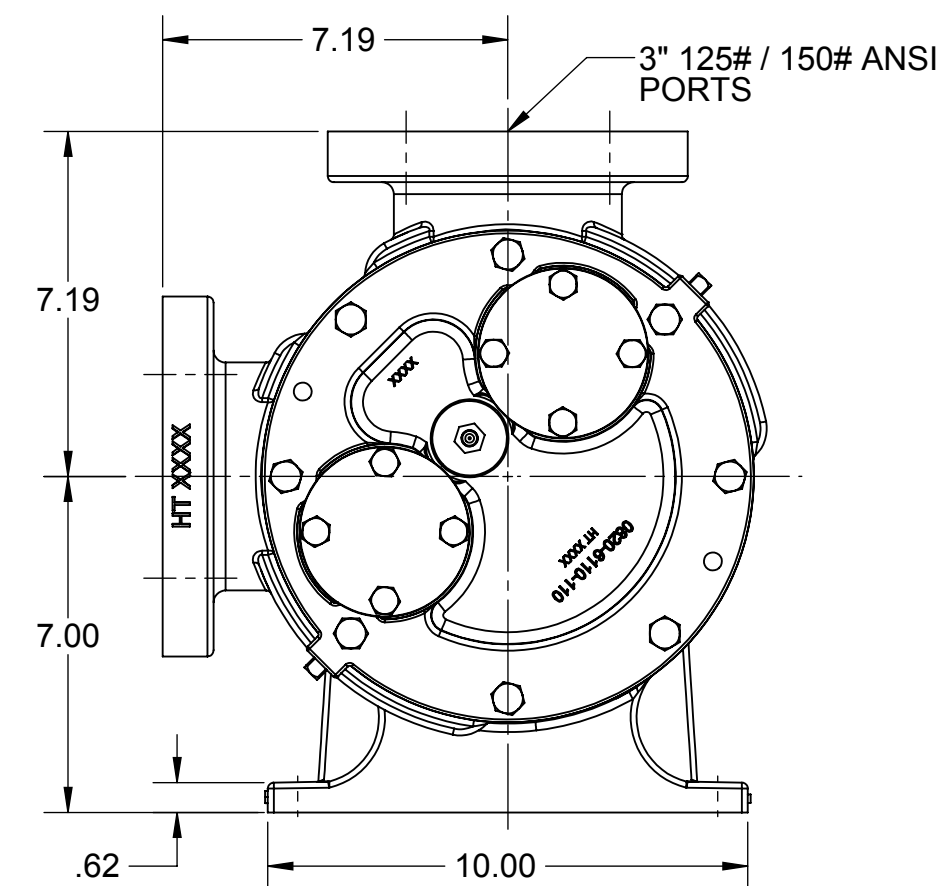
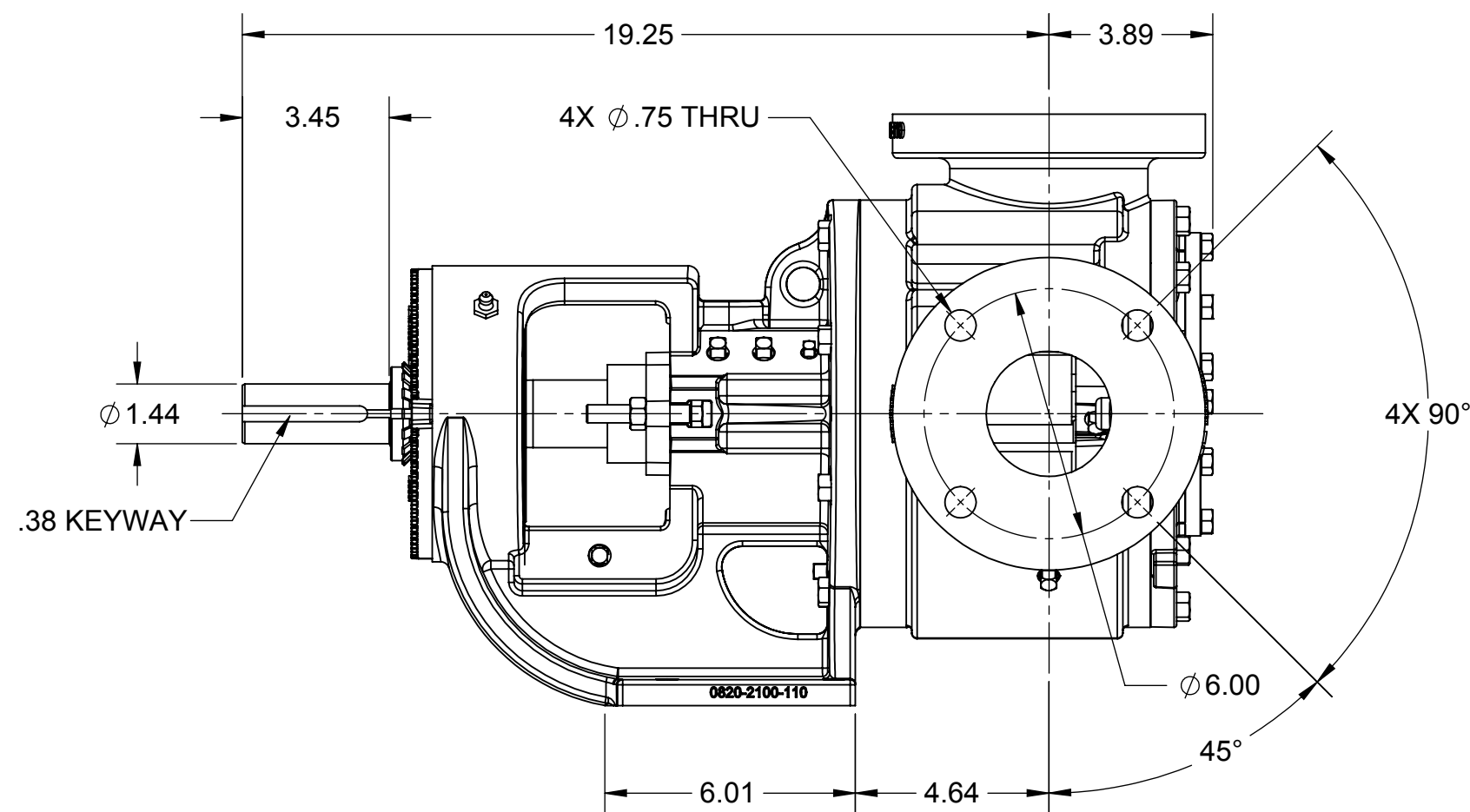
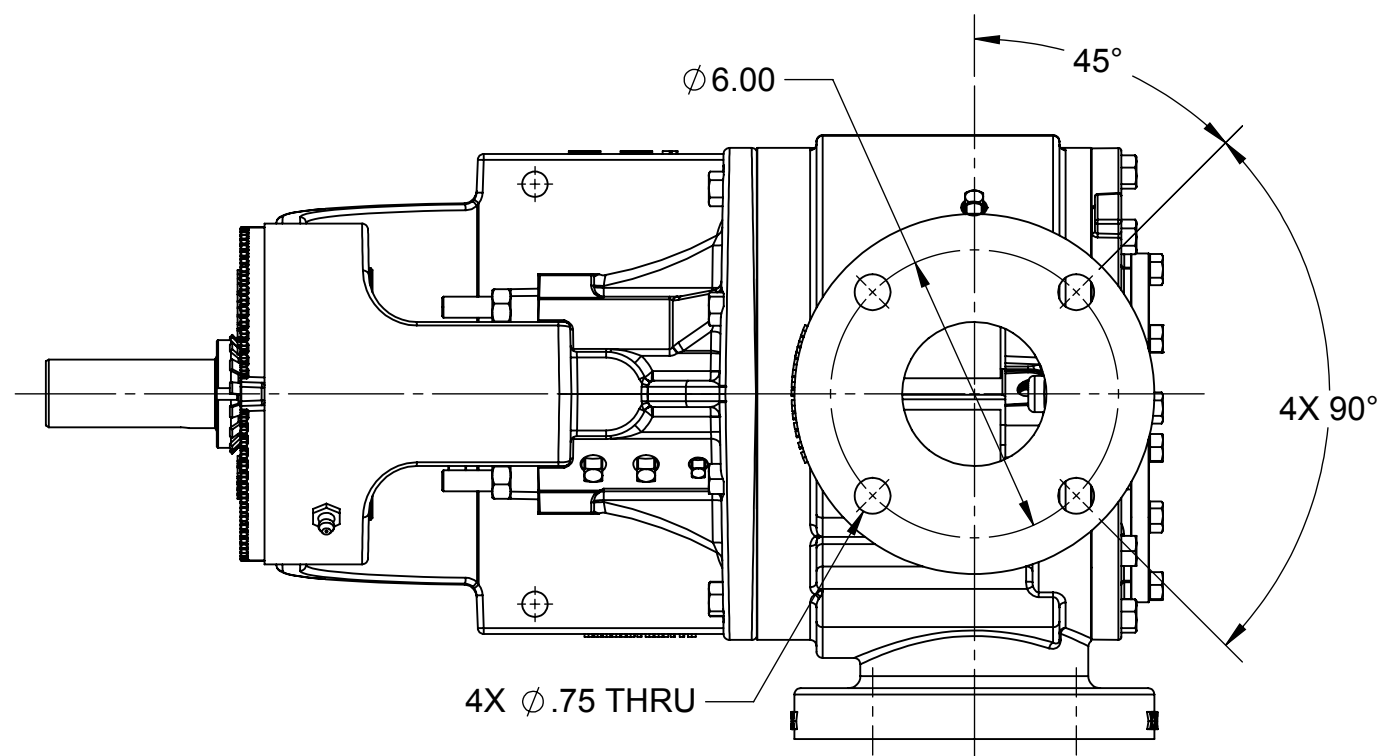
NOTES: UNLESS OTHERWISE SPECIFIED

1. DIMENSIONS AND TOLERANCES PER ASME Y14.5M-1994.

2. \* INDICATES DIMENSIONS AND/OR FEATURES MODIFIED ON CURRENT REVISION LEVEL.

THIS DRAWING DOES NOT SHOW DETAILS OF ALL OPTIONS AND ACCESSORIES

REV	DESCRIPTION
A	RELEASED INTO PRODUCTION SEE ECN #N00221
B	SEE ECN #N00330



THIS DOCUMENT CONTAINS PROPRIETARY INFORMATION OF PSG - A DOVER COMPANY. ITS RECEIPT AND POSSESSION DO NOT CONVEY ANY RIGHTS TO REPRODUCE OR DISCLOSE ITS CONTENTS OR TO MANUFACTURE USE OR SELL ANYTHING IT MAY DESCRIBE. THIS DOCUMENT IS SUBJECT TO RETURN UPON REQUEST. REPRODUCTION, DISCLOSURE OR USE OF THIS DOCUMENT WITHOUT THE WRITTEN AUTHORIZATION OF DOVER CORPORATION IS STRICTLY FORBIDDEN.

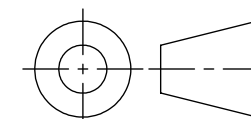
**DO NOT SCALE DRAWING UNLESS OTHERWISE SPECIFIED**  
DIMENSIONS ARE IN INCHES  
TOLERANCES ARE:

DECIMALS .XX ± .01

.XXX ± .005

ANGLES ± 0.5°

THIRD ANGLE PROJECTION



DRAWN BY CHARAN DATE 02/26/16

APPROVED BY B. SANDORE DATE 03/04/16



BLACKMER® PUMPS  
1809 CENTURY AVE SW  
GRAND RAPIDS, MI USA 49503  
TELEPHONE: 616-241-1611  
WWW.BLACKMER.COM

TITLE PUMP ASSEMBLY, DIMENSIONAL  
G1-82, W/O PRV

SIZE C DRAWING NO. LM0029 REV. B

SCALE 1:4 SHEET 1 OF 1