

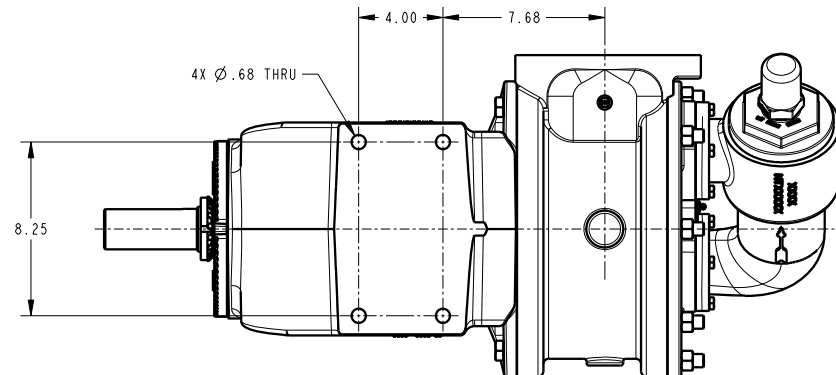
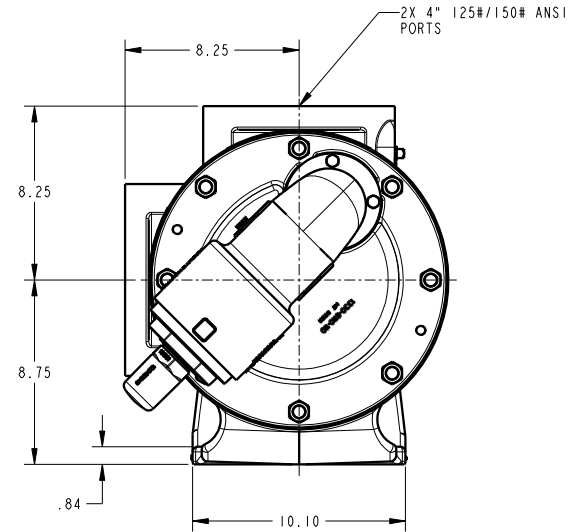
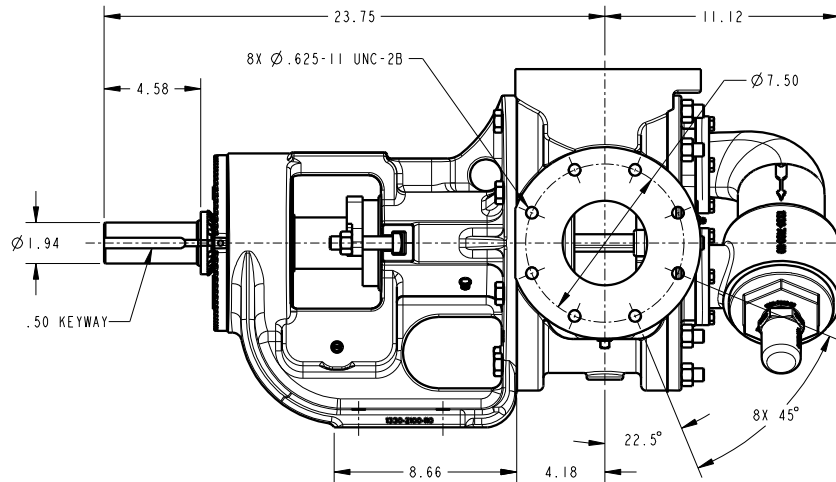
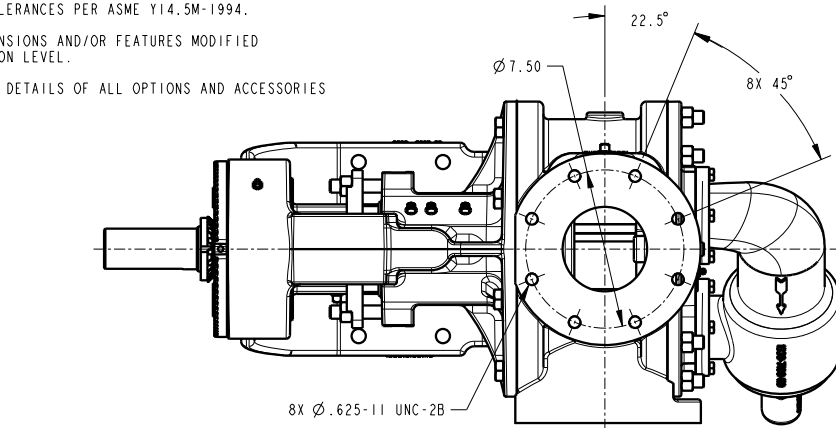
CAD generated and maintained drawing. All printed and electronic copies outside of EnviroGear's engineering database are "Uncontrolled" and shall be used for reference only.

NOTES: UNLESS OTHERWISE SPECIFIED

1. DIMENSIONS AND TOLERANCES PER ASME Y14.5M-1994.
2. * INDICATES DIMENSIONS AND/OR FEATURES MODIFIED ON CURRENT REVISION LEVEL.


THIS DRAWING DOES NOT SHOW DETAILS OF ALL OPTIONS AND ACCESSORIES

REV.	DESCRIPTION	BY	CHK.	APP.	DATE
A	RELEASED INTO PRODUCTION SEE ECN #N00221				



THIS DOCUMENT AND ITS CONTENTS ARE PROPRIETARY TO ENVIROGEAR INTERNAL GEAR PUMP. ANY REPRODUCTION, DISCLOSURE OR USE OF THIS DOCUMENT IS EXPRESSLY PROHIBITED EXCEPT AS OTHERWISE AGREED TO IN WRITING.

DO NOT SCALE DRAWING UNLESS OTHERWISE SPECIFIED DIMENSIONS ARE IN INCHES TOLERANCE ARE:	
DECIMALS .XX ±	0.01
.XXX ±	0.001
ANGLES ±	0.5°
SCALE 1/4	SHEET 1 OF 1

 BLACKMER® PUMPS 1809 CENTURY AVE SW GRAND RAPIDS, MI USA 49503 TELEPHONE: 616-241-1611 WWW.BLACKMER.COM		TITLE	
		PUMP ASSEMBLY, DIMENSIONAL G1-133	
DRAWN BY	KUNAL	DATE	02/26/16
CHECKED BY	C. LEOPOLD	DATE	03/04/16
APPROVED BY	B. SANDORE	DATE	03/04/16
ASSY. NO.		DRAWING NO.	LM0030
REV.	A		