

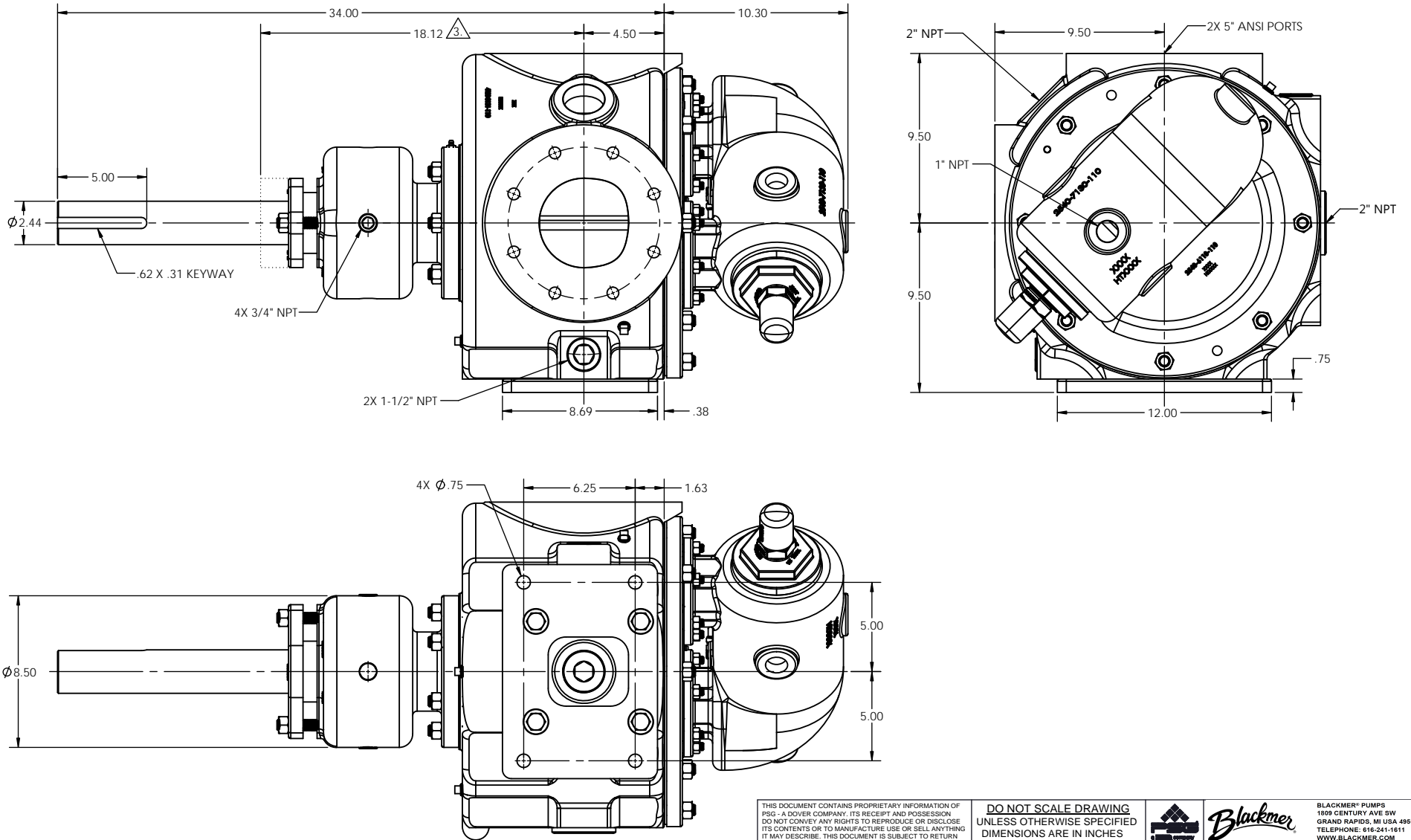
REV	DESCRIPTION
A	RELEASED INTO PRODUCTION SEE ECN #GRT00022

NOTES: UNLESS OTHERWISE SPECIFIED

1. DIMENSIONS AND TOLERANCES PER ASME Y14.5M-1994.
2. * INDICATES DIMENSIONS AND/OR FEATURES MODIFIED ON CURRENT REV LEVEL.

$\triangle 3$ MINIMUM DIMENSION FOR REPACKING.

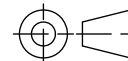
THIS DRAWING DOES NOT SHOW DETAILS OF ALL OPTIONS AND ACCESSORIES



THIS DOCUMENT CONTAINS PROPRIETARY INFORMATION OF PSG - A DOVER COMPANY. ITS RECEIPT AND POSSESSION DO NOT CONVEY ANY RIGHTS TO REPRODUCE OR DISCLOSE ITS CONTENTS OR TO MANUFACTURE USE OR SELL ANYTHING IT MAY DESCRIBE. THIS DOCUMENT IS SUBJECT TO RETURN UPON REQUEST. REPRODUCTION, DISCLOSURE OR USE OF THIS DOCUMENT WITHOUT THE WRITTEN AUTHORIZATION OF DOVER CORPORATION IS STRICTLY FORBIDDEN.

DO NOT SCALE DRAWING UNLESS OTHERWISE SPECIFIED DIMENSIONS ARE IN INCHES
TOLERANCES ARE:
DECIMALS .XX ± -
.XXX ± -
ANGLES ± -

THIRD ANGLE PROJECTION



DRAWN BY CJL	DATE 2017-11-06
APPROVED BY BKW	DATE 2018-01-22

	BLACKMER® PUMPS 1909 CENTURY AVE SW GRAND RAPIDS, MI USA 49503 TELEPHONE: 616-241-1611 WWW.BLACKMER.COM
TITLE	PUMP ASSEMBLY, DIMENSIONAL
V2-423, NON-JK HEAD, JACKETED PRV	
SIZE C	DRAWING NO. LM0041
SCALE 1:4	SHEET 1 OF 1
REV. A	