

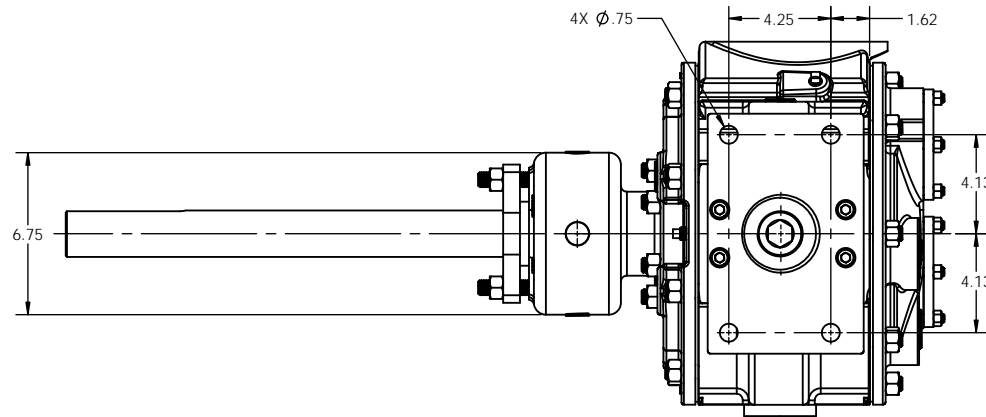
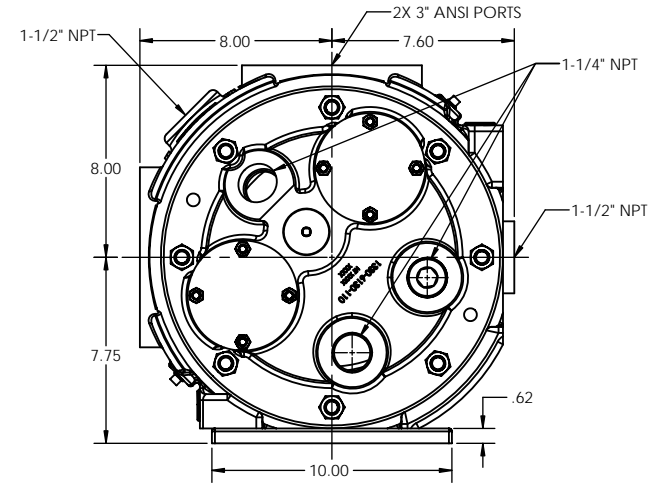
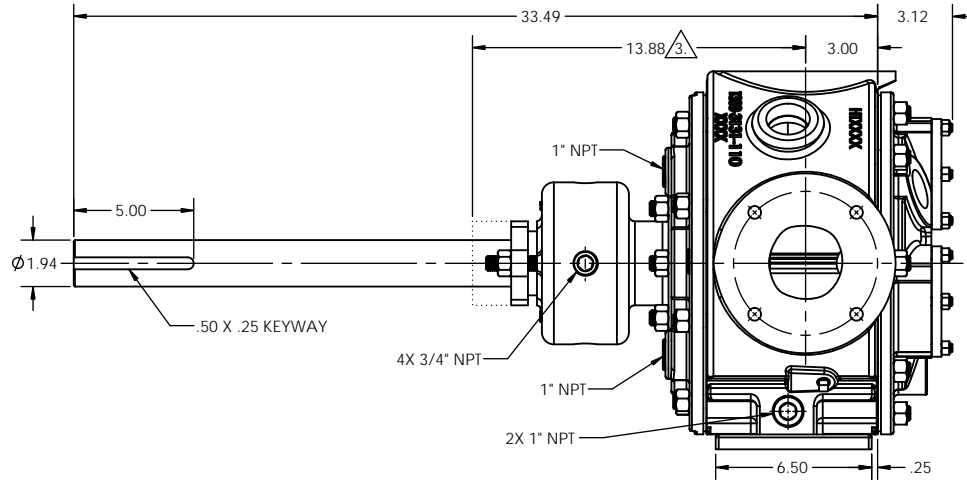
REV	DESCRIPTION
A	RELEASED INTO PRODUCTION SEE ECN #GRT000022

NOTES: UNLESS OTHERWISE SPECIFIED

1. DIMENSIONS AND TOLERANCES PER ASME Y14.5M-1994.
2. \* INDICATES DIMENSIONS AND/OR FEATURES MODIFIED ON CURRENT REV LEVEL.

$\triangle$  3. MINIMUM DIMENSION FOR REPACKING.

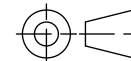
THIS DRAWING DOES NOT SHOW DETAILS OF ALL OPTIONS AND ACCESSORIES



THIS DOCUMENT CONTAINS PROPRIETARY INFORMATION OF PSG - A DOVER COMPANY. ITS RECEIPT AND POSSESSION DO NOT CONVEY ANY RIGHTS TO REPRODUCE OR DISCLOSE ITS CONTENTS OR TO MANUFACTURE USE OR SELL ANYTHING IT MAY DESCRIBE. THIS DOCUMENT IS SUBJECT TO RETURN UPON REQUEST. REPRODUCTION, DISCLOSURE OR USE OF THIS DOCUMENT WITHOUT THE WRITTEN AUTHORIZATION OF DOVER CORPORATION IS STRICTLY FORBIDDEN.

**DO NOT SCALE DRAWING**  
UNLESS OTHERWISE SPECIFIED  
DIMENSIONS ARE IN INCHES  
TOLERANCES ARE:  
DECIMALS .XX ± -  
.XXX ± -  
ANGLES ± -

THIRD ANGLE PROJECTION



DRAWN BY CJL	DATE 2017-12-14
APPROVED BY BKW	DATE 2017-12-15



**Blackmer**

BLACKMER® PUMPS  
1809 CENTURY AVE SW  
GRAND RAPIDS, MI USA 49503  
TELEPHONE: 616-241-1611  
WWW.BLACKMER.COM

TITLE	PUMP ASSEMBLY, DIMENSIONAL V2-133, JACKETED HEAD, NO PRV	
SIZE	DRAWING NO. LM0055	REV. A
SCALE	1:4	SHEET 1 OF 1