

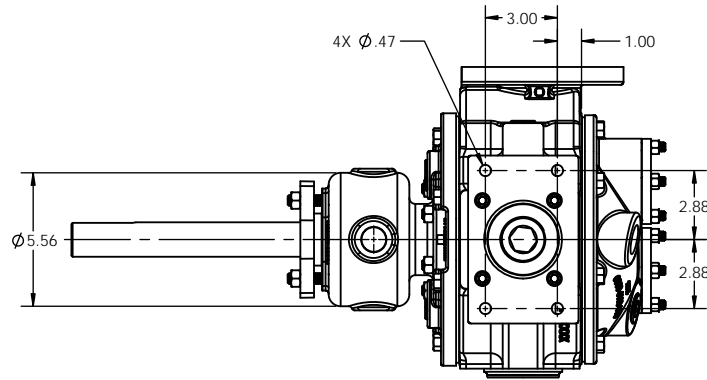
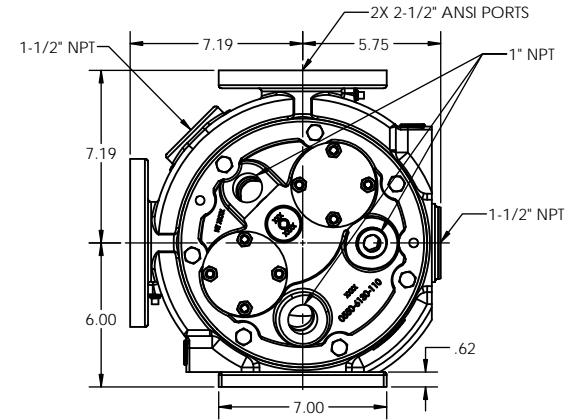
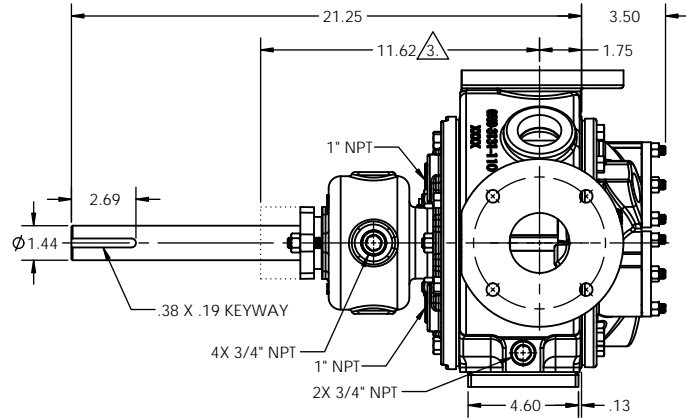
REV	DESCRIPTION
A	RELEASED INTO PRODUCTION SEE ECN #GRT000022

NOTES: UNLESS OTHERWISE SPECIFIED

1. DIMENSIONS AND TOLERANCES PER ASME Y14.5M-1994.
2. * INDICATES DIMENSIONS AND/OR FEATURES MODIFIED ON CURRENT REV LEVEL.

$\triangle 3$ MINIMUM DIMENSION FOR REPACKING.

THIS DRAWING DOES NOT SHOW DETAILS OF ALL OPTIONS AND ACCESSORIES



<p>THIS DOCUMENT CONTAINS PROPRIETARY INFORMATION OF PSG - A DOVER COMPANY. ITS RECEIPT AND POSSESSION DO NOT CONVEY ANY RIGHTS TO REPRODUCE OR DISCLOSE ITS CONTENTS OR TO MANUFACTURE USE OR SELL ANYTHING IT MAY DESCRIBE. THIS DOCUMENT IS SUBJECT TO RETURN UPON REQUEST. REPRODUCTION, DISCLOSURE OR USE OF THIS DOCUMENT WITHOUT THE WRITTEN AUTHORIZATION OF DOVER CORPORATION IS STRICTLY FORBIDDEN.</p>		<p>DO NOT SCALE DRAWING UNLESS OTHERWISE SPECIFIED DIMENSIONS ARE IN INCHES TOLERANCES ARE:</p>		<p>BLACKMER PUMPS 1809 CENTURY AVE SW GRAND RAPIDS, MI USA 49503 TELEPHONE: 616-241-1811 WWW.BLACKMER.COM</p>	
<p>DECIMALS .XX ± -</p>		<p>ANGLES ± -</p>		<p>TITLE PUMP ASSEMBLY, DIMENSIONAL V2-55, JACKETED HEAD, NO PRV</p>	
<p>THIRD ANGLE PROJECTION</p>		<p>ANGLES ± -</p>		<p>SIZE C</p>	
		<p>DRAWN BY CJL</p>		<p>DATE 2017-12-19</p>	
<p>APPROVED BY BKW</p>		<p>DATE 2018-01-22</p>		<p>SCALE 1:4</p>	
<p>DRAWING NO. LM0061</p>				<p>REV. A</p>	
<p>SHEET 1 OF 1</p>				<p>SHEET 1 OF 1</p>	