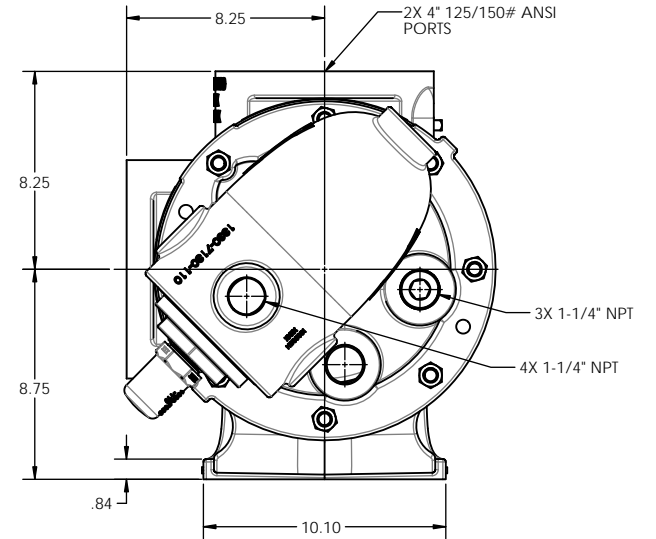
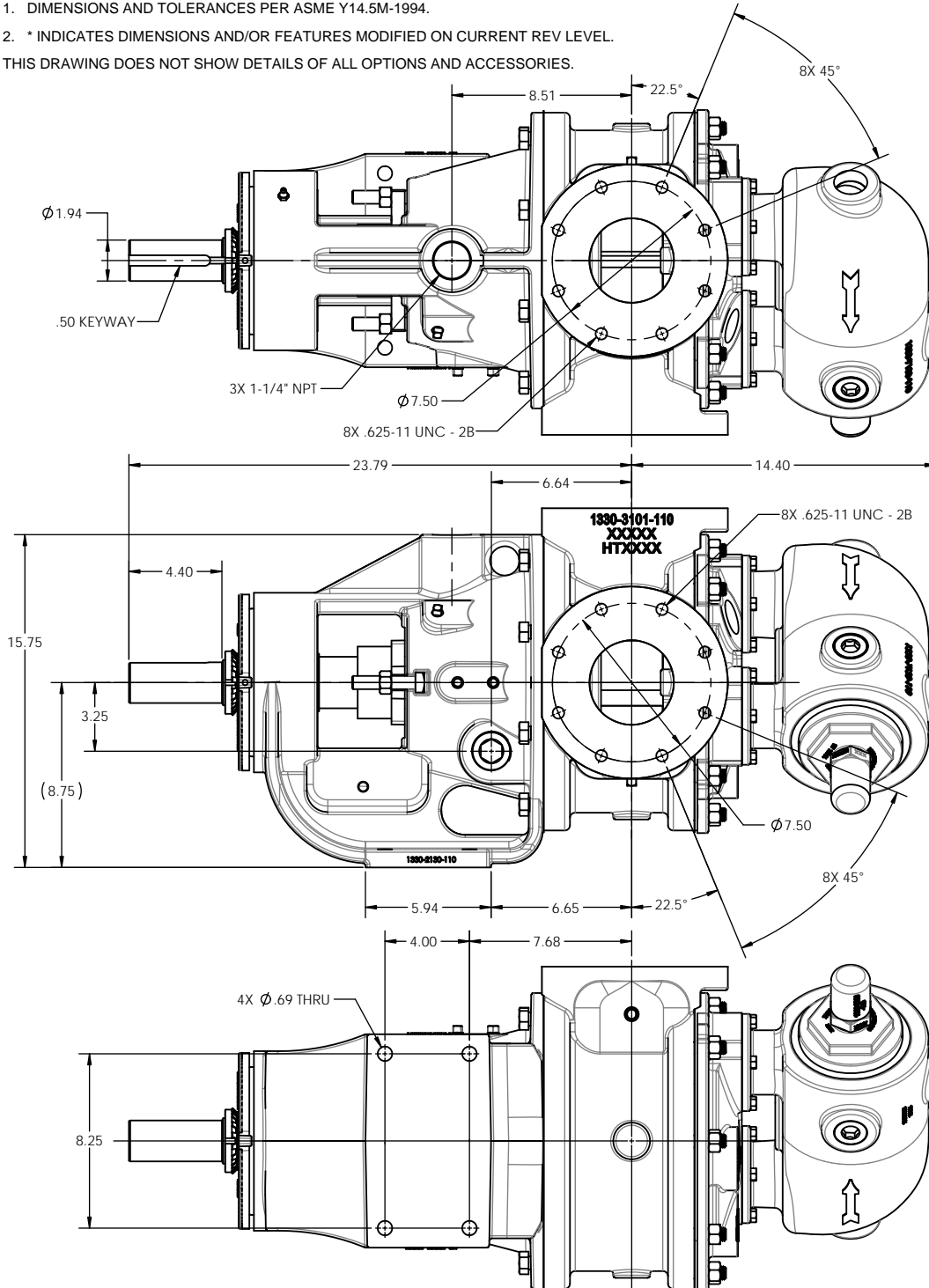


REV	DESCRIPTION
A	RELEASED INTO PRODUCTION SEE ECN #GRT001253

NOTES: UNLESS OTHERWISE SPECIFIED

1. DIMENSIONS AND TOLERANCES PER ASME Y14.5M-1994.
  2. \* INDICATES DIMENSIONS AND/OR FEATURES MODIFIED ON CURRENT REV LEVEL.
- THIS DRAWING DOES NOT SHOW DETAILS OF ALL OPTIONS AND ACCESSORIES.



THIS DOCUMENT CONTAINS PROPRIETARY INFORMATION OF PSG - A DOVER COMPANY. ITS RECEIPT AND POSSESSION DO NOT CONVEY ANY RIGHTS TO REPRODUCE OR DISCLOSE ITS CONTENTS OR TO MANUFACTURE USE OR SELL ANYTHING IT MAY DESCRIBE. THIS DOCUMENT IS SUBJECT TO RETURN UPON REQUEST. REPRODUCTION, DISCLOSURE OR USE OF THIS DOCUMENT WITHOUT THE WRITTEN AUTHORIZATION OF DOVER CORPORATION IS STRICTLY FORBIDDEN.

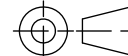
**DO NOT SCALE DRAWING**  
UNLESS OTHERWISE SPECIFIED  
DIMENSIONS ARE IN INCHES  
TOLERANCES ARE:

DECIMALS .XX ± -

.XXX ± -

ANGLES ± -

THIRD ANGLE PROJECTION



DRAWN BY \_\_\_\_\_ DATE \_\_\_\_\_

APPROVED BY \_\_\_\_\_ DATE \_\_\_\_\_

NJ 2021-01-15



BLACKMER PUMPS  
1809 CENTURY AVE SW  
GRAND RAPIDS, MI USA 49503  
TELEPHONE: 616-241-1611  
WWW.BLACKMER.COM

TITLE  
**ASSEMBLY PUMP, DIMENSIONAL, G2-133**

SIZE  
**4" FLG, JKT BRKT, JKT HEAD, JKT PRV**

DRAWING NO. **LM0121** REV. **A**

SCALE 1:4 SHEET 1 OF 1