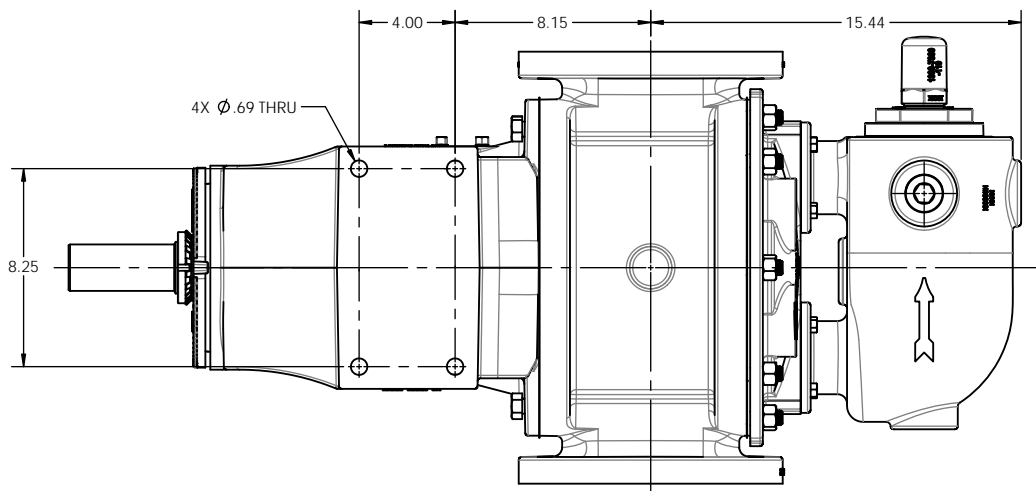
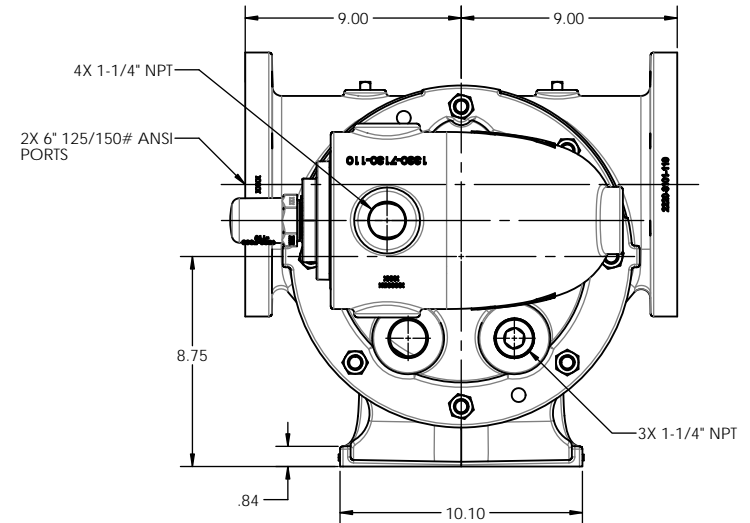
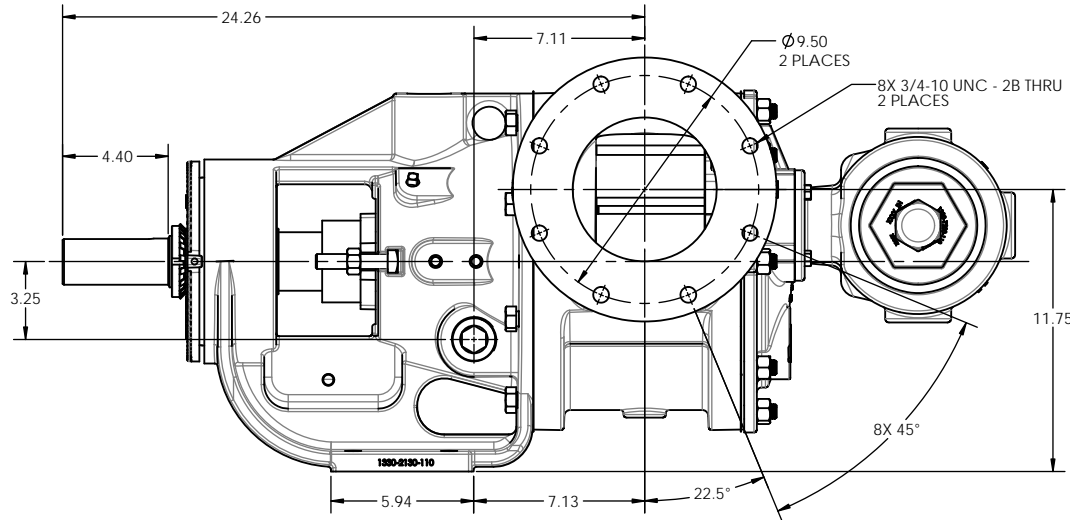
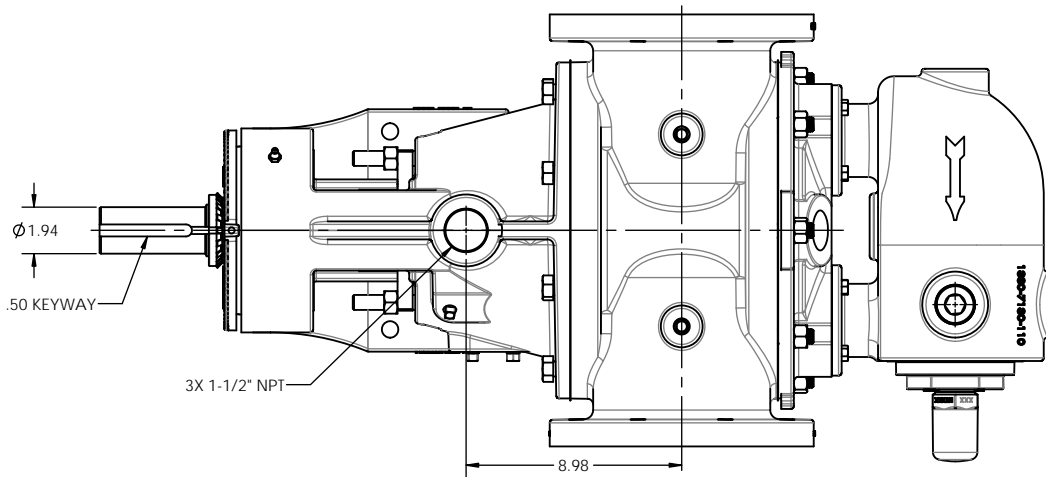


REV	DESCRIPTION
A	RELEASED INTO PRODUCTION SEE ECN #GRT001232



NOTES: UNLESS OTHERWISE SPECIFIED
 1. DIMENSIONS AND TOLERANCES PER ASME Y14.5M-1994.
 2. * INDICATES DIMENSIONS AND/OR FEATURE MODIFIED ON CURRENT REV LEVEL.
 THIS DRAWING DOES NOT SHOW DETAILS OF ALL OPTIONS AND ACCESSORIES.

THIS DOCUMENT CONTAINS PROPRIETARY INFORMATION OF PSG - A DOVER COMPANY. ITS RECEIPT AND POSSESSION DO NOT CONVEY ANY RIGHTS TO REPRODUCE OR DISCLOSE ITS CONTENTS OR TO MANUFACTURE USE OR SELL ANYTHING IT MAY DESCRIBE. THIS DOCUMENT IS SUBJECT TO RETURN UPON REQUEST. REPRODUCTION, DISCLOSURE OR USE OF THIS DOCUMENT WITHOUT THE WRITTEN AUTHORIZATION OF DOVER CORPORATION IS STRICTLY FORBIDDEN.

DO NOT SCALE DRAWING
 UNLESS OTHERWISE SPECIFIED
 DIMENSIONS ARE IN INCHES
 TOLERANCES ARE:
 DECIMALS .XX ± -
 .XXX ± -
 ANGLES ± -

		BLACKMER® PUMPS 1899 CENTURY AVE SW GRAND RAPIDS, MI USA 49503 TELEPHONE: 616-241-1811 WWW.BLACKMER.COM	
TITLE PUMP ASSY, DIMENSIONAL, G2-222, 6" FLG JKT BRKT, CASE, JKT HD, JKT PRV			
SIZE C	DRAWING NO. LM0122	REV A	SHEET 1 OF 1
SCALE 1:4	DRAWN BY RA		
DATE 2020-11-19		APPROVED BY NJ	
DATE 2020-11-20		THIRD ANGLE PROJECTION	

