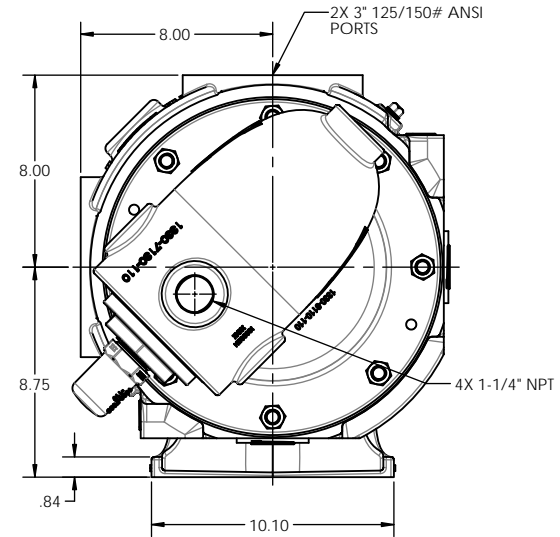
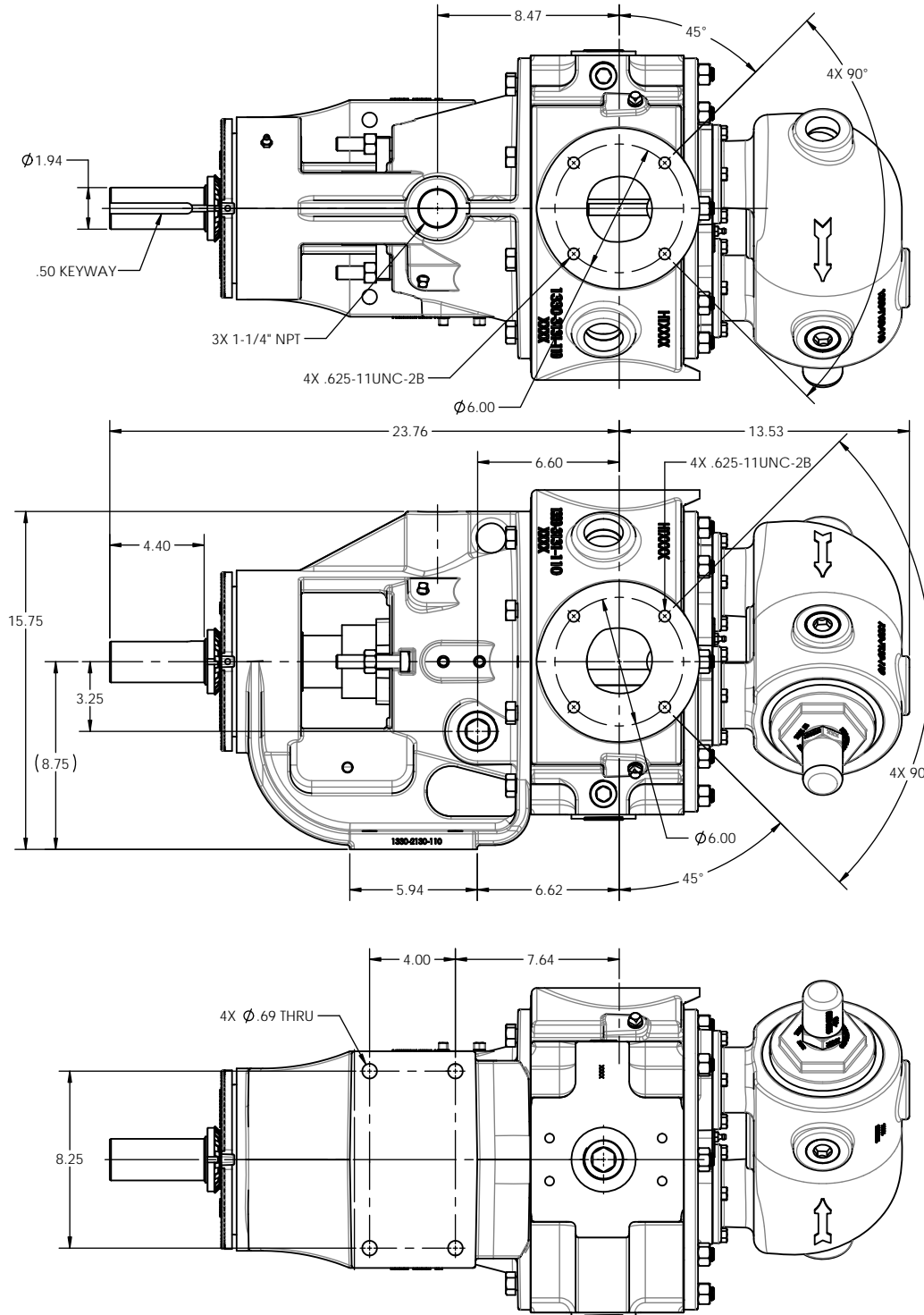


REV	DESCRIPTION
A	RELEASED INTO PRODUCTION SEE ECN #GRT001340



NOTES: UNLESS OTHERWISE SPECIFIED

1. DIMENSIONS AND TOLERANCES PER ASME Y14.5M-1994.
  2. \* INDICATES DIMENSIONS AND/OR FEATURES MODIFIED ON CURRENT REV LEVEL.
- THIS DRAWING DOES NOT SHOW DETAILS OF ALL OPTIONS AND ACCESSORIES.

THIS DOCUMENT CONTAINS PROPRIETARY INFORMATION OF PSG - A DOVER COMPANY. ITS RECEIPT AND POSSESSION DO NOT CONVEY ANY RIGHTS TO REPRODUCE OR DISCLOSE ITS CONTENTS OR TO MANUFACTURE USE OR SELL ANYTHING IT MAY DESCRIBE. THIS DOCUMENT IS SUBJECT TO RETURN UPON REQUEST. REPRODUCTION, DISCLOSURE OR USE OF THIS DOCUMENT WITHOUT THE WRITTEN AUTHORIZATION OF DOVER CORPORATION IS STRICTLY FORBIDDEN.

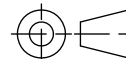
**DO NOT SCALE DRAWING**  
UNLESS OTHERWISE SPECIFIED  
DIMENSIONS ARE IN INCHES  
TOLERANCES ARE:

DECIMALS .XX ± -

.XXX ± -

ANGLES ± -

THIRD ANGLE PROJECTION



DRAWN BY CJE DATE 2021-03-15

APPROVED BY NJ DATE 2021-03-16



**Blackmer**

BLACKMER® PUMPS  
1899 CENTURY AVE BW  
GRAND RAPIDS, MI USA 49603  
TELEPHONE: 616-241-1611  
WWW.BLACKMER.COM

TITLE  
**ASSEMBLY PUMP, DIMENSIONAL, G2-133**

3" FLG, JKT CASE, NON-JKT HD, JKT PRV

SIZE C DRAWING NO.

LM0178

REV. A

SCALE 1:4 SHEET

1 OF 1