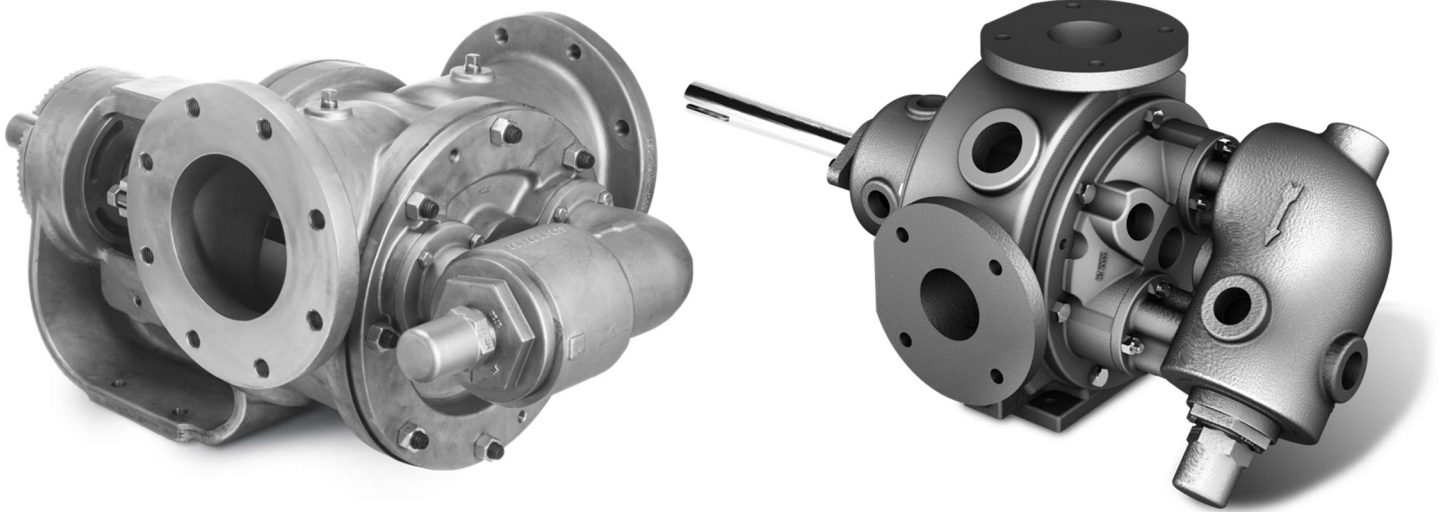
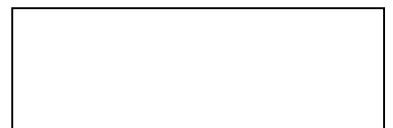


Cross Reference Guide

V and G Series Sealed Internal Gear Pumps



Where Innovation Flows



1903-101

Always read the most current version of this manual before performing any work on or around this pump. The most current version of this manual is freely available on the web at www.blackmer.com

Blackmer pumps are specifically configured for your unique application conditions. Those application conditions and the details of the pump configuration were documented during the ordering process. Keep that information available in a safe place, as it may be needed when troubleshooting pump problems or when ordering spare parts or repairs.

Blackmer pumps are covered by one or more of the following patents: U.S. Patent Nos. 7549205, 7137793, 7183683, 8,608,465B2 Australian Patent No. AU2005233534B2; Korean Patent No. 10-2006-7023162; Mexican Patent No. PA/2006/011436, Russian Patent No. 2006138540(041952); China Patent No. ZL 201280031563.6; and other patents pending.

V Series and G Series Cross Reference Guide

DESCRIPTION	MODELS - BLACKMER® (VIKING®)	MATERIAL	BLACKMER PN	VIKING® PN
BEARING, BALL, G1-2/4, CARBON STEEL	-2, -4 (H, HL)	CARBON STEEL	0020-1400-230	2-055-012-375-00
BEARING, BALL, G1-24/32/55/69, CARBON STEEL	-24, -32, -55, -69 (K, KK, L, LL)	CARBON STEEL	0240-1400-230	2-055-021-375-00
BEARING, BALL, G1-82, CARBON STEEL	-82 (LS)	CARBON STEEL	0820-1400-230	2-055-028-375-00
BEARING, BALL, G1-133/222, CARBON STEEL	-133, -222 (Q, QS)	CARBON STEEL	1330-1400-230	2-056-016-375-00
BOLT, SQUARE, 5/8"-11 X 3", STAINLESS STEEL	-133, -222 (Q, QS)	STAINLESS STEEL	B01C625C00CL0A1	2-151-003-255-00 or 2-151-003-610-00
BRACKET, G1-2/4, CAST IRON	-2, -4 (H, HL)	CAST IRON	0020-2100-110	3-075-287-380-00 less 2-109-003-880-00
BRACKET, G1-2/4, CARBON STEEL	-2, -4 (H, HL)	CARBON STEEL	0020-2100-130	3-075-289-400-00 less 2-109-003-880-00
BRACKET, G1-2/4, STAINLESS STEEL	-2, -4 (H, HL)	STAINLESS STEEL	0020-2100-150	3-075-289-700-00 less 2-109-003-880-00
BRACKET, ASM, G1-2/4, CAST IRON/CARBON GRAPHITE	-2, -4 (H, HL)	CAST IRON/CARBON GRAPHITE	0020-2000-110	3-075-287-380-00
BRACKET, ASM, G1-2/4, CAST IRON/BRONZE	-2, -4 (H, HL)	CAST IRON/BRONZE	0020-2010-110	3-075-288-352-00
BRACKET, ASM, G1-2/4, CAST IRON/TUNGSTEN CARBIDE	-2, -4 (H, HL)	CAST IRON/TUNGSTEN CARBIDE	0020-2020-110	N/A
BRACKET, ASM, G1-2/4, CARBON STEEL/CARBON GRAPHITE	-2, -4 (H, HL)	CARBON STEEL/CARBON GRAPHITE	0020-2000-130	3-075-289-400-00
BRACKET, ASM, G1-2/4, CARBON STEEL/BRONZE	-2, -4 (H, HL)	CARBON STEEL/BRONZE	0020-2010-130	3-075-290-486-00
BRACKET, ASM, G1-2/4, CARBON STEEL/TUNGSTEN CARBIDE	-2, -4 (H, HL)	CARBON STEEL/TUNGSTEN CARBIDE	0020-2020-130	N/A
BRACKET, ASM, G1-2/4, STAINLESS STEEL/ CARBON GRAPHITE	-2, -4 (H, HL)	STAINLESS STEEL/CARBON GRAPHITE	0020-2000-150	3-075-289-700-00
BRACKET, G1-24/32, CAST IRON	-24, -32 (K, KK)	CAST IRON	0240-2100-110	3-077-392-052-00 less 2-116-006-880-00
BRACKET, G1-24/32, CARBON STEEL	-24, -32 (K, KK)	CARBON STEEL	0240-2100-130	3-077-300-400-00 less 2-116-006-880-00
BRACKET, G1-24/32, STAINLESS STEEL	-24, -32 (K, KK)	STAINLESS STEEL	0240-2100-150	3-077-300-700-00 less 2-116-006-880-00
BRACKET, ASM, G1-24/32, CAST IRON/CARBON GRAPHITE	-24, -32 (K, KK)	CAST IRON/CARBON GRAPHITE	0240-2000-110	3-077-390-080-00
BRACKET, ASM, G1-24/32, CAST IRON/BRONZE	-24, -32 (K, KK)	CAST IRON/BRONZE	0240-2010-110	3-077-392-052-00
BRACKET, ASM, G1-24/32, CAST IRON/TUNGSTEN CARBIDE	-24, -32 (K, KK)	CAST IRON/TUNGSTEN CARBIDE	0240-2020-110	N/A
BRACKET, ASM, G1-24/32, CARBON STEEL/ CARBON GRAPHITE	-24, -32 (K, KK)	CARBON STEEL/CARBON GRAPHITE	0240-2000-130	3-077-300-400-00
BRACKET, ASM, G1-24/32, CARBON STEEL/BRONZE	-24, -32 (K, KK)	CARBON STEEL/BRONZE	0240-2010-130	3-077-299-486-00
BRACKET, ASM, G1-24/32, CARBON STEEL/ TUNGSTEN CARBIDE	-24, -32 (K, KK)	CARBON STEEL/TUNGSTEN CARBIDE	0240-2020-130	N/A
BRACKET, ASM, G1-24/32, STAINLESS STEEL/ CARBON GRAPHITE	-24, -32 (K, KK)	STAINLESS STEEL/ CARBON GRAPHITE	0240-2000-150	3-077-300-700-00
BRACKET, G1-55/69, CAST IRON	-55, -69 (L, LL)	CAST IRON	0550-2100-110	3-078-418-380-00 less 2-116-006-880-00
BRACKET, G1-55/69, CARBON STEEL	-55, -69 (L, LL)	CARBON STEEL	0550-2100-130	3-078-434-400-00 less 2-116-006-880-00

DESCRIPTION	MODELS - BLACKMER® (VIKING®)	MATERIAL	BLACKMER PN	VIKING® PN
BRACKET, G1-55/69, STAINLESS STEEL	-55, -69 (L, LL)	STAINLESS STEEL	0550-2100-150	3-078-434-700-00 less 2-116-006-880-00
BRACKET, ASM, G1-55/69, CAST IRON/CARBON GRAPHITE	-55, -69 (L, LL)	CAST IRON/CARBON GRAPHITE	0550-2000-110	3-078-418-380-00
BRACKET, ASM, G1-55/69, CAST IRON/BRONZE	-55, -69 (L, LL)	CAST IRON/BRONZE	0550-2010-110	3-078-417-352-00
BRACKET, ASM, G1-55/69, CAST IRON/TUNGSTEN CARBIDE	-55, -69 (L, LL)	CAST IRON/TUNGSTEN CARBIDE	0550-2020-110	N/A
BRACKET, ASM, G1-55/69, CARBON STEEL/CARBON GRAPHITE	-55, -69 (L, LL)	CARBON STEEL/CARBON GRAPHITE	0550-2000-130	3-078-434-400-00
BRACKET, ASM, G1-55/69, CARBON STEEL/BRONZE	-55, -69 (L, LL)	CARBON STEEL/BRONZE	0550-2010-130	3-078-433-486-00
BRACKET, ASM, G1-55/69, CARBON STEEL/TUNGSTEN CARBIDE	-55, -69 (L, LL)	CARBON STEEL/TUNGSTEN CARBIDE	0550-2020-130	N/A
BRACKET, ASM, G1-55/69, STAINLESS STEEL/ CARBON GRAPHITE	-55, -69 (L, LL)	STAINLESS STEEL/ CARBON GRAPHITE	0550-2000-150	3-078-434-700-00
BRACKET, G1-82, CAST IRON	-82 (LS)	CAST IRON	0820-2100-110	3-078-475-380-02 less 2-121-016-880-02
BRACKET, G1-82, CARBON STEEL	-82 (LS)	CARBON STEEL	0820-2100-130	3-078-477-400-02 less 2-121-016-880-02
BRACKET, G1-82, STAINLESS STEEL	-82 (LS)	STAINLESS STEEL	0820-2100-150	3-078-477-700-02 less 2-121-016-880-02
BRACKET, ASM, G1-82, CAST IRON/CARBON GRAPHITE	-82 (LS)	CAST IRON/CARBON GRAPHITE	0820-2000-110	3-078-475-380-02
BRACKET, ASM, G1-82, CAST IRON/BRONZE	-82 (LS)	CAST IRON/BRONZE	0820-2010-110	3-078-474-352-02
BRACKET, ASM, G1-82, CARBON STEEL/CARBON GRAPHITE	-82 (LS)	CARBON STEEL/CARBON GRAPHITE	0820-2000-130	3-078-477-400-02
BRACKET, ASM, G1-82, CARBON STEEL/BRONZE	-82 (LS)	CARBON STEEL/BRONZE	0820-2010-130	3-078-476-486-02
BRACKET, ASM, G1-82, STAINLESS STEEL/CARBON GRAPHITE	-82 (LS)	STAINLESS STEEL/CARBON GRAPHITE	0820-2000-150	3-078-477-700-02
BRACKET, G1-133/222, CAST IRON	-133, -222 (Q, QS)	CAST IRON	1330-2100-110	3-079-353-380-03 less 2-126-003-880-03
BRACKET, G1-133/222, CARBON STEEL	-133, -222 (Q, QS)	CARBON STEEL	1330-2100-130	3-079-356-400-03 less 2-126-003-880-03
BRACKET, G1-133/222, STAINLESS STEEL	-133, -222 (Q, QS)	STAINLESS STEEL	1330-2100-150	3-079-356-700-00 less 2-126-003-880-03
BRACKET, ASM, G1-133/222, CAST IRON/CARBON GRAPHITE	-133, -222 (Q, QS)	CAST IRON/CARBON GRAPHITE	1330-2000-110	3-079-353-380-03
BRACKET, ASM, G1-133/222, CAST IRON/BRONZE	-133, -222 (Q, QS)	CAST IRON/BRONZE	1330-2010-110	3-079-354-352-03
BRACKET, ASM, G1-133/222, CARBON STEEL/ CARBON GRAPHITE	-133, -222 (Q, QS)	CARBON STEEL/CARBON GRAPHITE	1330-2000-130	3-079-356-400-03
BRACKET, ASM, G1-133/222, CARBON STEEL/BRONZE	-133, -222 (Q, QS)	CARBON STEEL/BRONZE	1330-2010-130	3-079-355-486-03
BRACKET, ASM, G1-133/222, STAINLESS STEEL/ CARBON GRAPHITE	-133, -222 (Q, QS)	STAINLESS STEEL/ CARBON GRAPHITE	1330-2000-150	3-079-356-700-00
BUSHING, BRACKET, G1-2/4, CARBON GRAPHITE	-2, -4 (H, HL)	CARBON GRAPHITE	0020-2800-300	2-109-003-880-00
BUSHING, BRACKET, G1-2/4, BRONZE	-2, -4 (H, HL)	BRONZE	0020-2800-320	2-109-012-454-00
BUSHING, BRACKET, G1-2/4, HARDENED CAST IRON	-2, -4 (H, HL)	HARDENED CAST IRON	0020-2800-114	2-109-012-114-00
BUSHING, BRACKET, G1-2/4, HI TEMP CARBON GRAPHITE	-2, -4 (H, HL)	HIGH TEMP CARBON GRAPHITE	0020-2800-301	2-109-015-882-02
BUSHING, BRACKET, G1-2/4, TUNGSTEN CARBIDE	-2, -4 (H, HL)	TUNGSTEN CARBIDE	0020-2800-340	N/A
BUSHING, BRACKET, G1-24/32/55/69, CARBON GRAPHITE	-24, -32, -55, -69 (K, KK, L, LL)	CARBON GRAPHITE	0240-2800-300	2-116-006-880-00
BUSHING, BRACKET, G1-24/32/55/69, BRONZE	-24, -32, -55, -69 (K, KK, L, LL)	BRONZE	0240-2800-320	2-116-031-454-00
BUSHING, BRACKET, G1-24/32/55/69, HARDENED CAST IRON	-24, -32, -55, -69 (K, KK, L, LL)	HARDENED CAST IRON	0240-2800-114	2-116-031-114-00

DESCRIPTION	MODELS - BLACKMER® (VIKING®)	MATERIAL	BLACKMER PN	VIKING® PN
BUSHING, BRACKET, G1-24/32/55/69, HI TEMP CARBON GRAPHITE	-24, -32, -55, -69 (K, KK, L, LL)	HIGH TEMP CARBON GRAPHITE	0240-2800-301	2-116-043-882-04
BUSHING, BRACKET, G1-24/32, TUNGSTEN CARBIDE	-24, -32, -55, -69 (K, KK, L, LL)	TUNGSTEN CARBIDE	0240-2800-340	N/A
BUSHING, BRACKET, G1-82, CARBON GRAPHITE	-82 (LS)	CARBON GRAPHITE	0820-2800-300	2-121-016-880-02
BUSHING, BRACKET, G1-82, BRONZE	-82 (LS)	BRONZE	0820-2800-320	2-121-022-454-02
BUSHING, BRACKET, G1-133/222, CARBON GRAPHITE	-133, -222 (Q, QS)	CARBON GRAPHITE	1330-2800-300	2-126-003-880-03 or 2-126-003-880-00
BUSHING, BRACKET, G1-133/222, BRONZE	-133, -222 (Q, QS)	BRONZE	1330-2800-320	2-126-002-454-03
BUSHING, BRACKET, G1-133/222, HARDENED CAST IRON	-133, -222 (Q, QS)	HARDENED CAST IRON	1330-2800-114	2-126-002-114-03
BUSHING, BRACKET, G1-133/222, RI CARBON GRAPHITE	-133, -222 (Q, QS)	RESIN IMPREGNATED CARBON GRAPHITE	1330-2800-302	2-129-009-880-05
BUSHING, BRACKET, G1-133/222, TUNGSTEN CARBIDE	-133, -222 (Q, QS)	TUNGSTEN CARBIDE	1330-2800-340	N/A
BUSHING, IDLER, G1-2, CARBON GRAPHITE (IRON GEAR)	-2 (H)	CARBON GRAPHITE	0020-5800-300	2-095-010-880-02
BUSHING, IDLER, G1-2, CARBON GRAPHITE (S.S. GEAR)	-2 (H)	CARBON GRAPHITE	0020-5801-300	2-101-002-880-02
BUSHING, IDLER, G1-2, BRONZE	-2 (H)	BRONZE	0020-5800-320	2-095-013-454-02
BUSHING, IDLER, G1-2, HARDENED CAST IRON	-2 (H)	HARDENED CAST IRON	0020-5800-114	2-095-013-114-02
BUSHING, IDLER, G1-2, HI TEMP CARBON GRAPHITE	-2 (H)	HIGH TEMP CARBON GRAPHITE	0020-5800-301	2-095-022-882-02
BUSHING, IDLER, G1-2, TUNGSTEN CARBIDE	-2 (H)	TUNGSTEN CARBIDE	0020-5800-340	N/A
BUSHING, IDLER, G1-4, CARBON GRAPHITE (IRON GEAR)	-4 (HL)	CARBON GRAPHITE	0040-5800-300	2-095-011-880-02
BUSHING, IDLER, G1-4, CARBON GRAPHITE (S.S. GEAR)	-4 (HL)	CARBON GRAPHITE	0040-5801-300	2-101-001-880-02
BUSHING, IDLER, G1-4, BRONZE	-4 (HL)	BRONZE	0040-5800-320	2-095-001-454-02
BUSHING, IDLER, G1-4, HARDENED CAST IRON	-4 (HL)	HARDENED CAST IRON	0040-5800-114	2-095-001-114-02
BUSHING, IDLER, G1-4, HI TEMP CARBON GRAPHITE	-4 (HL)	HIGH TEMP CARBON GRAPHITE	0040-5800-301	2-095-021-882-02
BUSHING, IDLER, G1-4, TUNGSTEN CARBIDE	-4 (HL)	TUNGSTEN CARBIDE	0040-5800-340	N/A
BUSHING, IDLER, G1-24, CARBON GRAPHITE (IRON GEAR)	-24 (K)	CARBON GRAPHITE	0240-5800-300	2-108-014-880-04
BUSHING, IDLER, G1-24, CARBON GRAPHITE (S.S. GEAR)	-24 (K)	CARBON GRAPHITE	0240-5801-300	2-113-006-880-04
BUSHING, IDLER, G1-24, BRONZE	-24 (K)	BRONZE	0240-5800-320	2-108-007-454-04
BUSHING, IDLER, G1-24, HARDENED CAST IRON	-24 (K)	HARDENED CAST IRON	0240-5800-114	2-108-007-114-04
BUSHING, IDLER, G1-24, HI TEMP CARBON GRAPHITE	-24 (K)	HIGH TEMP CARBON GRAPHITE	0240-5800-301	2-108-037-882-04
BUSHING, IDLER, G1-24, TUNGSTEN CARBIDE	-24 (K)	TUNGSTEN CARBIDE	0240-5800-340	N/A
BUSHING, IDLER, G1-32, CARBON GRAPHITE (IRON GEAR)	-32 (KK)	CARBON GRAPHITE	0320-5800-300	2-108-015-880-04
BUSHING, IDLER, G1-32, CARBON GRAPHITE (S.S. GEAR)	-32 (KK)	CARBON GRAPHITE	0320-5801-300	2-113-001-880-04
BUSHING, IDLER, G1-32, BRONZE	-32 (KK)	BRONZE	0320-5800-320	2-108-009-454-04
BUSHING, IDLER, G1-32, HARDENED CAST IRON	-32 (KK)	HARDENED CAST IRON	0320-5800-114	2-108-009-114-04
BUSHING, IDLER, G1-32, HI TEMP CARBON GRAPHITE	-32 (KK)	HIGH TEMP CARBON GRAPHITE	0320-5800-301	2-108-036-882-04
BUSHING, IDLER, G1-32, TUNGSTEN CARBIDE	-32 (KK)	TUNGSTEN CARBIDE	0320-5800-340	N/A
BUSHING, IDLER, G1-55, CARBON GRAPHITE (IRON GEAR)	-55 (L)	CARBON GRAPHITE	0550-5800-300	2-116-017-880-04
BUSHING, IDLER, G1-55, CARBON GRAPHITE (S.S. GEAR)	-55 (L)	CARBON GRAPHITE	0550-5801-300	2-119-001-880-04
BUSHING, IDLER, G/V-55, BRONZE	-55 (L)	BRONZE	0550-5800-320	2-116-008-454-04
BUSHING, IDLER, G/V-55, HARDENED CAST IRON	-55 (L)	HARDENED CAST IRON	0550-5800-114	2-116-008-114-04
BUSHING, IDLER, G1-55, HI TEMP CARBON GRAPHITE	-55 (L)	HIGH TEMP CARBON GRAPHITE	0550-5800-301	2-116-044-882-04
BUSHING, IDLER, G/V-55, TUNGSTEN CARBIDE	-55 (L)	TUNGSTEN CARBIDE	0550-5800-340	N/A

DESCRIPTION	MODELS - BLACKMER® (VIKING®)	MATERIAL	BLACKMER PN	VIKING® PN
BUSHING, IDLER, G1-69, CARBON GRAPHITE (IRON GEAR)	-69 (LL)	CARBON GRAPHITE	0690-5800-300	2-116-018-880-04
BUSHING, IDLER, G1-69, CARBON GRAPHITE (S.S. GEAR)	-69 (LL)	CARBON GRAPHITE	0690-5801-300	2-119-007-880-04
BUSHING, IDLER, G1-69, BRONZE	-69 (LL)	BRONZE	0690-5800-320	2-116-016-454-04
BUSHING, IDLER, G1-69, HARDENED CAST IRON	-69 (LL)	HARDENED CAST IRON	0690-5800-114	2-116-016-114-04
BUSHING, IDLER, G1-69, HI TEMP CARBON GRAPHITE	-69 (LL)	HIGH TEMP CARBON GRAPHITE	0690-5800-301	2-116-045-882-04
BUSHING, IDLER, G1-69, TUNGSTEN CARBIDE	-69 (LL)	TUNGSTEN CARBIDE	0690-5800-340	N/A
BUSHING, IDLER, G1-82, CARBON GRAPHITE (IRON GEAR)	-82 (LS)	CARBON GRAPHITE	0820-5800-300	2-121-015-880-04
BUSHING, IDLER, G1-82, CARBON GRAPHITE (S.S. GEAR)	-82 (LS)	CARBON GRAPHITE	0820-5801-300	2-121-023-880-04
BUSHING, IDLER, G1-82, BRONZE	-82 (LS)	BRONZE	0820-5800-320	2-121-014-454-04
BUSHING, IDLER, G1-133, CARBON GRAPHITE (IRON GEAR)	-133 (Q)	CARBON GRAPHITE	1330-5800-300	2-129-009-880-05
BUSHING, IDLER, G1-133, CARBON GRAPHITE (S.S. GEAR)	-133 (Q)	CARBON GRAPHITE	1330-5801-300	2-129-009-880-05
BUSHING, IDLER, G1-133, V-133/254, BRONZE	-133, -254 (Q, M)	BRONZE	1330-5800-320	2-129-007-454-05
BUSHING, IDLER, G1-133, V-133/254, HARDENED CAST IRON	-133, -254 (Q, M)	HARDENED CAST IRON	1330-5801-114	2-129-007-114-05
BUSHING, IDLER, G1-133, RI CARBON GRAPHITE (IRON OR S.S. GEAR)	-133 (Q)	RESIN IMPREGNATED CARBON GRAPHITE	1330-5801-302	2-129-009-880-05
BUSHING, IDLER, G1-133, V-133/254, TUNGSTEN CARBIDE	-133, -254 (Q, M)	TUNGSTEN CARBIDE	1330-5800-340	N/A
BUSHING, IDLER, G1-222, CARBON GRAPHITE (IRON GEAR)	-222 (QS)	CARBON GRAPHITE	2220-5800-300	2-129-043-880-05
BUSHING, IDLER, G1-222, CARBON GRAPHITE (S.S. GEAR)	-222 (QS)	CARBON GRAPHITE	2220-5801-300	2-129-043-880-05
BUSHING, IDLER, G1-222, BRONZE	-222 (QS)	BRONZE	2220-5800-320	2-129-042-454-05
BUSHING, IDLER, G1-222, HARDENED CAST IRON	-222 (QS)	HARDENED CAST IRON	2220-5801-114	N/A
BUSHING, IDLER, G1-222, RI CARBON GRAPHITE (IRON OR S.S. GEAR)	-222 (QS)	RESIN IMPREGNATED CARBON GRAPHITE	2220-5801-302	2-129-043-880-05
BUSHING, IDLER, G1-222, TUNGSTEN CARBIDE	-222 (QS)	TUNGSTEN CARBIDE	2220-5800-340	N/A
BUSHING, IDLER, G/V-423, BRONZE	-423 (N)	BRONZE	4230-5800-320	2-126-007-454-05
BUSHING, RBS, V-133/254, BRONZE	-133, -254 (Q, M)	BRONZE	1330-2840-320	2-123-010-454-05
BUSHING, RBS, V-423, BRONZE	-423 (N)	BRONZE	4230-2840-320	2-126-007-454-05
BUSHING, RBS, V-55, BRONZE	-55 (LQ)	BRONZE	0550-2840-320	2-116-048-454-02
BUSHING, ROTATING THRUST, V-133/254, HARDENED STEEL	-133, -254 (Q, M)	HARDENED STEEL	1330-4830-370	2-785-016-999-00
BUSHING, ROTATING THRUST, V-423, HARDENED STEEL	-423 (N)	HARDENED STEEL	4230-4830-370	2-785-014-281-00
BUSHING, STATIONARY THRUST, V-133/254, BRONZE	-133, -254 (Q, M)	BRONZE	1330-4831-320	2-785-015-454-00
BUSHING, STATIONARY THRUST, V-423, BRONZE	-423 (N)	BRONZE	4230-4831-320	2-785-013-454-00
CASE, ASM, G1-2/4, 1.5" NPT, CAST IRON	-2, -4 (H, HL)	CAST IRON	0020-3000-110	2-194-801-100-00
CASE, ASM, G1-2/4, 1.5" ANSI, CARBON STEEL	-2, -4 (H, HL)	CARBON STEEL	0020-3001-130	2-194-842-271-00
CASE, ASM, G1-2/4, 1.5" ANSI, STAINLESS STEEL	-2, -4 (H, HL)	STAINLESS STEEL	0020-3001-150	2-194-875-630-00
CASE, ASM, G1-24/32, 2" NPT, CAST IRON	-24, -32 (K, KK)	CAST IRON	0240-3000-110	2-214-809-100-00
CASE, ASM, G1-24/32, 2" ANSI, CARBON STEEL	-24, -32 (K, KK)	CARBON STEEL	0240-3001-130	2-214-831-271-00
CASE, ASM, G1-24/32, 2" ANSI, STAINLESS STEEL	-24, -32 (K, KK)	STAINLESS STEEL	0240-3001-150	2-214-831-630-00
CASE, ASM, G1-55, 2" NPT, CAST IRON	-55 (L)	CAST IRON	0550-3000-110	2-224-001-100-00
CASE, ASM, G1-55, 2.5" ANSI, CAST IRON	-55 (L)	CAST IRON	0550-3001-110	2-224-002-100-00
CASE, ASM, G1-55, 2.5" ANSI, CARBON STEEL	-55 (L)	CARBON STEEL	0550-3001-130	2-224-021-271-00
CASE, ASM, G1-55, 2.5" ANSI, STAINLESS STEEL	-55 (L)	STAINLESS STEEL	0550-3001-150	2-224-021-630-00
CASE, ASM, G1-69, 3" ANSI, CAST IRON	-69 (LL)	CAST IRON	0690-3001-110	2-224-200-100-00
CASE, ASM, G1-69, 3" ANSI, CAST IRON, O-RING CFG	-69 (LL)	CAST IRON	0690-3006-110	N/A

DESCRIPTION	MODELS - BLACKMER® (VIKING®)	MATERIAL	BLACKMER PN	VIKING® PN
CASE, ASM, G1-69, 3" ANSI, CARBON STEEL	-69 (LL)	CARBON STEEL	0690-3001-130	2-224-206-271-00
CASE, ASM, G1-69, 3" ANSI, STAINLESS STEEL	-69 (LL)	STAINLESS STEEL	0690-3001-150	2-224-206-630-00
CASE, ASM, G1-82, 3" ANSI, CAST IRON	-82 (LS)	CAST IRON	0820-3001-110	2-224-301-100-00
CASE, ASM, G1-82, 3" ANSI, CARBON STEEL	-82 (LS)	CARBON STEEL	0820-3001-130	2-224-302-271-00
CASE, ASM, G1-82, 3" ANSI, STAINLESS STEEL	-82 (LS)	STAINLESS STEEL	0820-3001-150	2-224-302-630-00
CASE, ASM, G1-133, 4" ANSI, CAST IRON	-133 (Q)	CAST IRON	1330-3001-110	2-234-042-100-00
CASE, ASM, G1-133, 4" ANSI, CARBON STEEL	-133 (Q)	CARBON STEEL	1330-3001-130	2-234-044-271-00
CASE, ASM, G1-133, 4" ANSI, STAINLESS STEEL	-133 (Q)	STAINLESS STEEL	1330-3001-150	2-234-044-630-00
CASE, ASM, G1-222, 6" ANSI, CAST IRON	-222 (QS)	CAST IRON	2220-3001-110	2-234-081-100-00
CASE, ASM, G1-222, 6" ANSI, CARBON STEEL	-222 (QS)	CARBON STEEL	2220-3001-130	2-234-084-271-00
CASE, ASM, G1-222, 6" ANSI, STAINLESS STEEL	-222 (QS)	STAINLESS STEEL	2220-3001-150	2-234-084-630-00
CASE, ASM, JACKETED, V-55, 2.5" ANSI, CAST IRON	-55 (LQ)	CAST IRON	0550-3031-110	2-221-007-100-00 or 2-221-008-100-00
CASE, ASM, JACKETED, V-133, 3" ANSI, CAST IRON	-133 (Q)	CAST IRON	1330-3031-110	2-231-002-100-00 or 2-231-032-100-00
CASE, ASM, JACKETED, V-254, 4" ANSI, CAST IRON	-254 (M)	CAST IRON	2540-3031-110	2-241-007-100-00 or 2-241-011-100-00
CASE, ASM, JACKETED, V-423, 5" ANSI, CAST IRON	-423 (N)	CAST IRON	4230-3031-110	2-241-202-100-00 or 2-241-203-100-00
COLLAR, BEARING SPACER, G1-2/4, CARBON STEEL	-2, -4 (H, HL)	CARBON STEEL	0020-1300-230	2-288-003-21D-00
COLLAR, BEARING SPACER, G1-133/222, CARBON STEEL	-133, -222 (Q, QS)	CARBON STEEL	1330-1300-230	2-288-054-295-00
COLLAR, INNER BEARING SPACER, G1-24-32-55-69, CARBON STEEL	-24, -32, -55, -69 (K, KK, L, LL)	CARBON STEEL	0240-1301-230	2-288-040-21D-00
COLLAR, INNER BEARING SPACER, G1-82, CARBON STEEL	-82 (LS)	CARBON STEEL	0820-1301-230	2-288-034-21D-00
COLLAR, OUTER BEARING SPACER, G1-24/32/55/69, CARBON STEEL	-24, -32, -55, -69 (K, KK, L, LL)	CARBON STEEL	0240-1300-230	2-288-006-21D-00
COLLAR, OUTER BEARING SPACER, G1-82, CARBON STEEL	-82 (LS)	CARBON STEEL	0820-1300-230	2-288-016-21D-00
COLLAR, MECH SEAL, ASM, G1-2/4, CARBON STEEL	-2, -4 (H, HL)	CARBON STEEL	0020-8050-230	3-487-077-465-00
COLLAR, MECH SEAL, ASM, G1-24/32/55/69, CARBON STEEL	-24, -32, -55, -69 (K, KK, L, LL)	CARBON STEEL	0240-8050-230	3-288-207-43D-00
COLLAR, MECH SEAL, ASM, G1-82, STAINLESS STEEL	-82 (LS)	STAINLESS STEEL	0820-8050-250	3-288-205-465-00
COLLAR, MECH SEAL, ASM, G1-133/222, STAINLESS STEEL	-133, -222 (Q, QS)	STAINLESS STEEL	1330-8050-250	3-288-204-465-00
ENDCAP, BEARING HOUSING, G1-2/4, CARBON STEEL	-2, -4 (H, HL)	CARBON STEEL	0020-1200-230	2-140-033-722-00
ENDCAP, BEARING HOUSING, G1-24/32/55/69, CARBON STEEL	-24, -32, -55, -69 (K, KK, L, LL)	CARBON STEEL	0240-1200-230	2-140-002-722-00
ENDCAP, BEARING HOUSING, G1-82, CARBON STEEL	-82 (LS)	CARBON STEEL	0820-1200-230	2-140-005-100-00
ENDCAP, BEARING HOUSING, G1-133/222, CARBON STEEL	-133, -222 (Q, QS)	CARBON STEEL	1330-1200-230	2-140-055-100-00
FITTING, GREASE, 1/4" NPT, CARBON STEEL/ZINC PLATED	-133, -222 (Q, QS)	CARBON STEEL/ZINC PLATED	GRSF-025NST-230	N/A
FITTING, GREASE, 1/8" NPT, CARBON STEEL/ZINC PLATED	-2, -4, -24, -32, -55, -69, -82 (H, HL, K, KK, L, LL)	CARBON STEEL/ZINC PLATED	GRSF-013NST-230	2-469-002-376-00
GASKET, BRACKET, G1-2/4, INTERFACE TS-9003	-2, -4 (H, HL)	INTERFACE® TS-9003	0020-2900-950	2-313-001-806-15 or 2-313-001-804-15
GASKET, BRACKET, G1-2/4, HI TEMP GRAPHITE	-2, -4 (H, HL)	HIGH TEMP GRAPHITE	0020-2900-952	2-313-001-806-15 or 2-313-001-804-15

DESCRIPTION	MODELS - BLACKMER® (VIKING®)	MATERIAL	BLACKMER PN	VIKING® PN
GASKET, BRACKET, G1-24/32, INTERFACE TS-9003	-24, -32 (K, KK)	INTERFACE® TS-9003	0240-2900-950	2-313-003-806-15 or 2-313-003-804-15
GASKET, BRACKET, G1-24/32, HI TEMP GRAPHITE	-24, -32 (K, KK)	HIGH TEMP GRAPHITE	0240-2900-952	2-313-003-806-15 or 2-313-003-804-15
GASKET, BRACKET, G1-55/69, INTERFACE TS-9003	-55, -69 (L, LL)	INTERFACE® TS-9003	0550-2900-950	2-314-001-806-15 or 2-314-001-804-15
GASKET, BRACKET, G1-55/69, HI TEMP GRAPHITE	-55, -69 (L, LL)	HIGH TEMP GRAPHITE	0550-2900-952	2-314-001-806-15 or 2-314-001-804-15
GASKET, GLAND, G1-2/4, HI TEMP GRAPHITE	-2, -4 (H, HL)	HIGH TEMP GRAPHITE	0020-8900-952	N/A
GASKET, HEAD, G1-2/4, INTERFACE TS-9003	-2, -4 (H, HL)	INTERFACE® TS-9003	0020-6900-950	2-309-001-806-15 or 2-309-001-804-15
GASKET, HEAD, G1-2/4, HI TEMP GRAPHITE	-2, -4 (H, HL)	HIGH TEMP GRAPHITE	0020-6900-952	2-309-001-806-15 or 2-309-001-804-15
GASKET, HEAD, G1-24/32, INTERFACE TS-9003	-24, -32 (K, KK)	INTERFACE® TS-9003	0240-6900-950	2-311-003-806-15
GASKET, HEAD, G1-24/32, HI TEMP GRAPHITE	-24, -32 (K, KK)	HIGH TEMP GRAPHITE	0240-6900-952	2-311-003-806-15
GASKET, HEAD, G1-55/69/82, V-55, BRACKET, G1-82, .015, INTERFACE TS-9003	-55, -69, -82 (L, LQ, LL, LS)	INTERFACE® TS-9003	0550-6900-950	2-312-001-806-15 or 2-312-001-804-15 or 2-306-014-806-00
GASKET, HEAD, G1-55/69/82, V-55, BRACKET, G1-82, .015, HI TEMP GRAPHITE	-55, -69, -82 (L, LL, LS)	HIGH TEMP GRAPHITE	0550-6900-952	2-312-001-806-15 or 2-312-001-804-15 or 2-306-014-806-00
GASKET, HEAD, V-55, .005, HI TEMP GRAPHITE	-55 (LQ)	HIGH TEMP PTFE - GRAPHITE	0550-6901-952	2-312-001-806-07
GASKET, HEAD/BRACKET, G1-133/222, INTERFACE TS-9003	-133, -222 (Q, QS)	INTERFACE® TS-9003	1330-6900-950	2-314-003-804-15 or 2-314-003-806-15
GASKET, HEAD, V-133, .005, HI TEMP GRAPHITE	-133, -222 (Q, QS)	HIGH TEMP PTFE - GRAPHITE	1330-6901-952	2-314-003-806-15
GASKET, BRACKET/HEAD, V-254/423, .015, INTERFACE TS-9003	-254, -423 (M, N)	INTERFACE TS-9003	2540-6900-950	2-314-004-804-07 or 2-314-004-806-07
GASKET, HEAD, V-254/423, .005, HI TEMP GRAPHITE	-254, -423 (M, N)	HIGH TEMP PTFE - GRAPHITE	2540-6901-952	2-314-004-806-07
GASKET, RBS, V-55, INTERFACE TS-9003	-55 (LQ)	INTERFACE TS-9003	0550-2930-950	2-310-006-806-15
GASKET, RBS, V-133/254, INTERFACE TS-9003	-133, -254 (Q, M)	INTERFACE TS-9003	1330-2930-950	2-311-007-806-15
GASKET, RBS/BRACKET, V-423, INTERFACE TS-9003	-423 (N)	INTERFACE TS-9003	4230-2930-950	2-311-016-806-15
GASKET, VALVE, BONNET, G1-2/4, KLINGERSIL C-4401	-2, -4 (H, HL)	KLINGERSIL® C-4401	0020-7910-951	N/A
GASKET, VALVE, BONNET, G1-2/4, HI TEMP GRAPHITE	-2, -4 (H, HL)	HIGH TEMP GRAPHITE	0020-7910-952	N/A
GASKET, VALVE, BONNET, G1-24/32/55/69/82, V-55, KLINGERSIL C-4401	-24, -32, -55, -69, -82 (K, KK, L, LL, LS)	KLINGERSIL® C-4401	0240-7910-951	2-305-014-806-00
GASKET, VALVE, BONNET, G1-24/32/55/69/82, GYLON 3510	-24, -32, -55, -69, -82 (K, KK, L, LL, LS)	GYLON® 3510	0240-7910-926	2-305-014-806-00
GASKET, VALVE, BONNET, G1-133/222, V-133/254/423 KLINGERSIL C-4401	-133, -222, -254, -423 (Q, QS, M, N)	KLINGERSIL® C-4401	1330-7910-951	2-306-009-806-00
GASKET, VALVE, CAP, G1-2/4, KLINGERSIL C-4401	-2, -4 (H, HL)	KLINGERSIL® C-4401	0020-7920-951	2-305-009-806-62
GASKET, VALVE, CAP, G1-2/4, HI TEMP GRAPHITE	-2, -4 (H, HL)	HIGH TEMP GRAPHITE	0020-7920-952	2-305-009-806-62
GASKET, VALVE, CAP, G1-24/32/55/69/82, V-55, KLINGERSIL C-4401	-24, -32, -55, -69, -82 (K, KK, L, LL, LS)	KLINGERSIL® C-4401	0240-7920-951	2-305-046-806-00

DESCRIPTION	MODELS - BLACKMER® (VIKING®)	MATERIAL	BLACKMER PN	VIKING® PN
GASKET, VALVE, CAP, G1-24/32/55/69/82, GYLON 3510	-24, -32, -55, -69, -82 (K, KK, L, LL, LS)	GYLON® 3510	0240-7920-926	2-305-046-806-00
GASKET, VALVE, CAP, G1-133/222, V-133/254/423, KLINGERSIL C-4401	-133, -222, -254, -423 (Q, QS, M, N)	KLINGERSIL® C-4401	1330-7920-951	2-305-015-806-62
GASKET, VALVE, G1-2/4, INTERFACE TS-9003	-2, -4 (H, HL)	INTERFACE® TS-9003	0020-7900-950	2-316-003-806-30
GASKET, VALVE, G1-2/4, HI TEMP GRAPHITE	-2, -4 (H, HL)	HIGH TEMP GRAPHITE	0020-7900-952	2-316-003-806-30
GASKET, VALVE, G1-24/32, INTERFACE TS-9003	-24, -32 (K, KK)	INTERFACE® TS-9003	0240-7900-950	2-307-008-806-15 or 2-307-008-804-15
GASKET, VALVE, G1-24/32, HI TEMP GRAPHITE	-24, -32 (K, KK)	HIGH TEMP GRAPHITE	0240-7900-952	2-307-008-806-15 or 2-307-008-804-15
GASKET, VALVE, G1-55/69/82, V-55, INTERFACE TS-9003	-55, -69, -82 (L, LL, LS)	INTERFACE® TS-9003	0550-7900-950	2-307-011-806-15 or 2-307-011-804-15
GASKET, VALVE, G1-55/69/82, HI TEMP GRAPHITE	-55, -69, -82 (L, LL, LS)	HIGH TEMP GRAPHITE	0550-7900-952	2-307-011-806-15 or 2-307-011-804-15
GASKET, VALVE, G1-55/69/82, GYLON 3510	-55, -69, -82 (L, LL, LS)	GYLON® 3510	0550-7900-926	2-307-011-806-15 or 2-307-011-804-15
GASKET, VALVE, G1-133/222, V-133, INTERFACE TS-9003	-133, -222 (Q, QS)	INTERFACE® TS-9003	1330-7900-950	2-308-009-806-15
GASKET, VALVE, V-254/423, INTERFACE TS-9003	-254, -423 (M, N)	INTERFACE TS-9003	2540-7900-950	2-310-008-804-15 or 2-310-008-806-15
GEAR, IDLER, ASM, G1-2, CAST IRON/CARBON GRAPHITE	-2 (H)	CAST IRON/CARBON GRAPHITE	0020-5000-110	3-418-002-105-42
GEAR, IDLER, ASM, G1-2, CAST IRON/BRONZE	-2 (H)	CAST IRON/BRONZE	0020-5010-110	3-418-001-099-42
GEAR, IDLER, ASM, G1-2, CAST IRON/TUNGSTEN CARBIDE	-2 (H)	CAST IRON/TUNGSTEN CARBIDE	0020-5020-110	3-418-033-124-42
GEAR, IDLER, ASM, G1-2, STAINLESS STEEL/ CARBON GRAPHITE	-2 (H)	STAINLESS STEEL/ CARBON GRAPHITE	0020-5000-255	3-418-004-701-42
GEAR, IDLER, ASM, G1-2, NITRONIC 60/CARBON GRAPHITE	-2 (H)	NITRONIC 60/CARBON GRAPHITE	0020-5000-276	3-418-003-824-42
GEAR, IDLER, ASM, G1-4, CAST IRON/CARBON GRAPHITE	-4 (HL)	CAST IRON/CARBON GRAPHITE	0040-5000-110	3-418-403-105-42
GEAR, IDLER, ASM, G1-4, CAST IRON/BRONZE	-4 (HL)	CAST IRON/BRONZE	0040-5010-110	3-418-400-099-42
GEAR, IDLER, ASM, G1-4, CAST IRON/TUNGSTEN CARBIDE	-4 (HL)	CAST IRON/TUNGSTEN CARBIDE	0040-5020-110	3-418-430-124-42
GEAR, IDLER, ASM, G1-4, STAINLESS STEEL/ CARBON GRAPHITE	-4 (HL)	STAINLESS STEEL/ CARBON GRAPHITE	0040-5000-255	3-418-401-701-42
GEAR, IDLER, ASM, G1-4, NITRONIC 60/CARBON GRAPHITE	-4 (HL)	NITRONIC 60/CARBON GRAPHITE	0040-5000-276	N/A
GEAR, IDLER, ASM, G1-24, CAST IRON/CARBON GRAPHITE	-24 (K)	CAST IRON/CARBON GRAPHITE	0240-5000-110	3-420-201-080-54
GEAR, IDLER, ASM, G1-24, CAST IRON/BRONZE	-24 (K)	CAST IRON/BRONZE	0240-5010-110	3-420-209-052-54
GEAR, IDLER, ASM, G1-24, CAST IRON/TUNGSTEN CARBIDE	-24 (K)	CAST IRON/TUNGSTEN CARBIDE	0240-5020-110	3-420-230-084-54
GEAR, IDLER, ASM, G1-24, STAINLESS STEEL/ CARBON GRAPHITE	-24 (K)	STAINLESS STEEL/ CARBON GRAPHITE	0240-5000-255	3-420-205-701-54
GEAR, IDLER, ASM, G1-24, NITRONIC 60/CARBON GRAPHITE	-24 (K)	NITRONIC 60/CARBON GRAPHITE	0240-5000-276	3-420-208-824-54
GEAR, IDLER, ASM, G1-32, CAST IRON/CARBON GRAPHITE	-32 (KK)	CAST IRON/CARBON GRAPHITE	0320-5000-110	3-420-401-080-54
GEAR, IDLER, ASM, G1-32, CAST IRON/BRONZE	-32 (KK)	CAST IRON/BRONZE	0320-5010-110	3-420-406-052-54
GEAR, IDLER, ASM, G1-32, CAST IRON/TUNGSTEN CARBIDE	-32 (KK)	CAST IRON/TUNGSTEN CARBIDE	0320-5020-110	3-420-230-084-54
GEAR, IDLER, ASM, G1-32, STAINLESS STEEL/ CARBON GRAPHITE	-32 (KK)	STAINLESS STEEL/ CARBON GRAPHITE	0320-5000-255	3-420-402-701-54
GEAR, IDLER, ASM, G1-32, NITRONIC 60/CARBON GRAPHITE	-32 (KK)	NITRONIC 60/CARBON GRAPHITE	0320-5000-276	3-420-404-824-54
GEAR, IDLER, ASM, G1-55, CAST IRON/CARBON GRAPHITE	-55 (L)	CAST IRON/CARBON GRAPHITE	0550-5000-110	3-421-002-080-54

DESCRIPTION	MODELS - BLACKMER® (VIKING®)	MATERIAL	BLACKMER PN	VIKING® PN
GEAR, IDLER, ASM, G/V-55, CAST IRON/BRONZE	-55 (L)	CAST IRON/BRONZE	0550-5010-110	3-421-007-052-54
GEAR, IDLER, ASM, G/V-55, CAST IRON/TUNGSTEN CARBIDE	-55 (L)	CAST IRON/TUNGSTEN CARBIDE	0550-5020-110	3-421-040-084-54
GEAR, IDLER, ASM, G1-55, STAINLESS STEEL/ CARBON GRAPHITE	-55 (L)	STAINLESS STEEL/ CARBON GRAPHITE	0550-5000-255	3-421-004-701-54
GEAR, IDLER, ASM, G1-55, NITRONIC 60/CARBON GRAPHITE	-55 (L)	NITRONIC 60/CARBON GRAPHITE	0550-5000-276	3-421-003-824-54
GEAR, IDLER, ASM, G1-69, CAST IRON/CARBON GRAPHITE	-69 (LL)	CAST IRON/CARBON GRAPHITE	0690-5000-110	3-421-201-080-54
GEAR, IDLER, ASM, G1-69, CAST IRON/BRONZE	-69 (LL)	CAST IRON/BRONZE	0690-5010-110	3-421-206-052-54
GEAR, IDLER, ASM, G1-69, CAST IRON/TUNGSTEN CARBIDE	-69 (LL)	CAST IRON/TUNGSTEN CARBIDE	0690-5020-110	3-421-232-084-54
GEAR, IDLER, ASM, G1-69, STAINLESS STEEL/ CARBON GRAPHITE	-69 (LL)	STAINLESS STEEL/ CARBON GRAPHITE	0690-5000-255	3-421-202-701-54
GEAR, IDLER, ASM, G1-69, NITRONIC 60/CARBON GRAPHITE	-69 (LL)	NITRONIC 60/CARBON GRAPHITE	0690-5000-276	3-421-203-824-54
GEAR, IDLER, ASM, G1-82, CAST IRON/CARBON GRAPHITE	-82 (LS)	CAST IRON/CARBON GRAPHITE	0820-5000-110	3-421-301-080-54
GEAR, IDLER, ASM, G1-82, CAST IRON/BRONZE	-82 (LS)	CAST IRON/BRONZE	0820-5010-110	3-421-300-052-54
GEAR, IDLER, ASM, G1-82, NITRONIC 60/CARBON GRAPHITE	-82 (LS)	NITRONIC 60/CARBON GRAPHITE	0820-5000-176	3-421-304-701-54
GEAR, IDLER, ASM, G1-133, DUCTILE IRON/ CARBON GRAPHITE	-133 (Q)	DUCTILE IRON/CARBON GRAPHITE	1330-5000-121	3-422-008-44K-75 or 3-422-005-080-75
GEAR, IDLER, ASM, G/V-133, DUCTILE IRON/ BRONZE	-133 (Q)	DUCTILE IRON/BRONZE	1330-5010-121	3-422-006-052-75 or 3-422-011-44N-75
GEAR, IDLER, ASM, G/V-133, DUCTILE IRON/ TUNGSTEN CARBIDE	-133 (Q)	DUCTILE IRON/TUNGSTEN CARBIDE	1330-5020-121	3-422-039-084-78
GEAR, IDLER, ASM, G1-133, NITRONIC 60/CARBON GRAPHITE	-133 (Q)	NITRONIC 60/CARBON GRAPHITE	1330-5000-176	3-422-008-701-75
GEAR, IDLER, ASM, G1-222, DUCTILE IRON/ CARBON GRAPHITE	-222 (QS)	DUCTILE IRON/CARBON GRAPHITE	2220-5000-121	3-422-301-080-75 or 3-422-303-44K-75
GEAR, IDLER, ASM, G1-222, DUCTILE IRON/BRONZE	-222 (QS)	DUCTILE IRON/BRONZE	2220-5010-121	3-422-300-052-75 or 3-422-302-44N-75
GEAR, IDLER, ASM, G1-222, DUCTILE IRON/ TUNGSTEN CARBIDE	-222 (QS)	DUCTILE IRON/TUNGSTEN CARBIDE	2220-5020-121	N/A
GEAR, IDLER, ASM, G1-222, NITRONIC 60/CARBON GRAPHITE	-222 (QS)	NITRONIC 60/CARBON GRAPHITE	2220-5000-176	3-422-303-701-75
GEAR, IDLER, ASM, G/V-254, DUCTILE IRON/BRONZE	-254 (M)	DUCTILE IRON/BRONZE	2540-5010-121	3-423-004-052-75
GEAR, IDLER, ASM, G/V-423, DUCTILE IRON/BRONZE	-423 (N)	DUCTILE IRON/BRONZE	4230-5010-121	3-423-201-052-75
GLAND, PACKING, V-55, CAST IRON	-55 (LQ)	CAST IRON	0550-8230-110	2-524-019-414-00
GLAND, PACKING, V-133/254, CAST IRON	-133, -254 (Q, M)	CAST IRON	2540-8230-110	2-524-020-100-00
GLAND, PACKING, V-423, CAST IRON	-423 (N)	CAST IRON	4230-8230-110	2-525-005-100-00
GLAND, PACKING, TYPE 1/9, G1-2/4, CAST IRON	-2, -4 (H, HL)	CAST IRON	0020-8200-110	2-524-045-150-00
GLAND, PACKING, TYPE 1/9, G1-2/4, STAINLESS STEEL	-2, -4 (H, HL)	STAINLESS STEEL	0020-8200-150	2-524-046-630-00
GLAND, PACKING, TYPE 1, G1-24/32/55/69, CAST IRON	-24, -32, -55, -69 (K, KK, L, LL)	CAST IRON	0240-8200-110	2-524-042-150-00
GLAND, PACKING, TYPE 1, G1-24/32/55/69, STAINLESS STEEL	-24, -32, -55, -69 (K, KK, L, LL)	STAINLESS STEEL	0240-8200-150	2-524-043-630-00
GLAND, PACKING, TYPE 1, G1-82, STAINLESS STEEL	-82 (LS)	STAINLESS STEEL	0820-8200-150	2-524-048-630-00 or 2-524-047-150-00
GLAND, PACKING, TYPE 1, G1-133/222, STAINLESS STEEL	-133, -222 (Q, QS)	STAINLESS STEEL	1330-8200-150	2-525-014-100-00 or 2-525-014-150-00 or 2-525-015-271-00 or 2-525-015-630-00

DESCRIPTION	MODELS - BLACKMER® (VIKING®)	MATERIAL	BLACKMER PN	VIKING® PN
GLAND, TYPE 9, G1-24/32/55/69, CAST IRON	-24, -32, -55, -69 (K, KK, L, LL)	CAST IRON	0240-8201-110	2-524-044-630-00
GLAND, TYPE 9, G1-24/32/55/69, STAINLESS STEEL	-24, -32, -55, -69 (K, KK, L, LL)	STAINLESS STEEL	0240-8201-150	2-524-043-630-00 or 2-524-044-630-00
GLAND, TYPE 9, G1-82, STAINLESS STEEL	-82 (LS)	STAINLESS STEEL	0820-8201-150	2-527-082-630-00 with 2-487-120-630-00 or 2-487-120-260-00 with 2-527-082-100-00 or 2-487-120-260-00 with 2-527-082-271-00
GLAND, TYPE 9, G1-133/222, STAINLESS STEEL	-133, -222 (Q, QS)	STAINLESS STEEL	1330-8201-150	2-527-042-271-00 with 2-527-062-250-00 or 2-527-042-630-00 with 2-527-083-630-00
HEAD, ASM, G1-2, CAST IRON/HARDENED STEEL	-2 (H)	CAST IRON/HARDENED STEEL	0020-6010-110	3-371-001-088-00
HEAD, ASM, G1-2, CAST IRON/TUNGSTEN CARBIDE	-2 (H)	CAST IRON/TUNGSTEN CARBIDE	0020-6011-110	3-371-005-084-00
HEAD, ASM, G1-2, CARBON STEEL/HARDENED STEEL	-2 (H)	CARBON STEEL/HARDENED STEEL	0020-6010-130	3-371-002-41G-00
HEAD, ASM, G1-2, CARBON STEEL/TUNGSTEN CARBIDE	-2 (H)	CARBON STEEL/TUNGSTEN CARBIDE	0020-6011-130	3-371-002-41G-00
HEAD, ASM, G1-2, STAINLESS STEEL/ HARDENED STAINLESS STEEL	-2 (H)	STAINLESS STEEL/ HARDENED STAINLESS STEEL	0020-6010-150	3-371-011-784-00
HEAD, ASM, G1-4, CAST IRON/HARDENED STEEL	-4 (HL)	CAST IRON/HARDENED STEEL	0040-6010-110	3-371-400-088-00
HEAD, ASM, G1-4, CAST IRON/TUNGSTEN CARBIDE	-4 (HL)	CAST IRON/TUNGSTEN CARBIDE	0040-6011-110	3-371-405-084-00
HEAD, ASM, G1-4, CARBON STEEL/HARDENED STEEL	-4 (HL)	CARBON STEEL/HARDENED STEEL	0040-6010-130	3-371-402-41G-00
HEAD, ASM, G1-4, CARBON STEEL/TUNGSTEN CARBIDE	-4 (HL)	CARBON STEEL/TUNGSTEN CARBIDE	0040-6011-130	3-371-402-41G-00
HEAD, ASM, G1-4, STAINLESS STEEL/ HARDENED STAINLESS STEEL	-4 (HL)	STAINLESS STEEL/ HARDENED STAINLESS STEEL	0040-6010-150	3-371-411-784-00
HEAD, ASM, G1-24, CAST IRON/HARDENED STEEL	-24 (K)	CAST IRON/HARDENED STEEL	0240-6010-110	3-381-200-088-00
HEAD, ASM, G1-24, CAST IRON/TUNGSTEN CARBIDE	-24 (K)	CAST IRON/TUNGSTEN CARBIDE	0240-6011-110	3-381-207-084-00
HEAD, ASM, G1-24, CARBON STEEL/HARDENED STEEL	-24 (K)	CARBON STEEL/HARDENED STEEL	0240-6010-130	3-381-215-41G-00
HEAD, ASM, G1-24, CARBON STEEL/TUNGSTEN CARBIDE	-24 (K)	CARBON STEEL/TUNGSTEN CARBIDE	0240-6011-130	3-381-215-41G-00
HEAD, ASM, G1-24, STAINLESS STEEL/ HARDENED STAINLESS STEEL	-24 (K)	STAINLESS STEEL/ HARDENED STAINLESS STEEL	0240-6010-150	3-381-221-784-00
HEAD, ASM, G1-32, CAST IRON/HARDENED STEEL	-32 (KK)	CAST IRON/HARDENED STEEL	0320-6010-110	3-381-400-088-00
HEAD, ASM, G1-32, CAST IRON/TUNGSTEN CARBIDE	-32 (KK)	CAST IRON/TUNGSTEN CARBIDE	0320-6011-110	3-381-407-084-00
HEAD, ASM, G1-32, CARBON STEEL/HARDENED STEEL	-32 (KK)	CARBON STEEL/HARDENED STEEL	0320-6010-130	3-381-412-41G-00
HEAD, ASM, G1-32, CARBON STEEL/TUNGSTEN CARBIDE	-32 (KK)	CARBON STEEL/TUNGSTEN CARBIDE	0320-6011-130	3-381-412-41G-00
HEAD, ASM, G1-32, STAINLESS STEEL/ HARDENED STAINLESS STEEL	-32 (KK)	STAINLESS STEEL/ HARDENED STAINLESS STEEL	0320-6010-150	3-381-419-784-00
HEAD, ASM, G/V-55, CAST IRON/HARDENED STEEL	-55 (L)	CAST IRON/HARDENED STEEL	0550-6010-110	3-386-001-088-00
HEAD, ASM, JACKETED, G/V-55, CAST IRON/ HARDENED STEEL	-55 (L, LQ)	CAST IRON/HARDENED STEEL	0550-6030-110	3-387-014-999-00
HEAD, ASM, G/V-55, CAST IRON/TUNGSTEN CARBIDE	-55 (L)	CAST IRON/TUNGSTEN CARBIDE	0550-6011-110	3-386-008-084-00
HEAD, ASM, G1-55, CARBON STEEL/HARDENED STEEL	-55 (L)	CARBON STEEL/HARDENED STEEL	0550-6010-130	3-386-018-41G-00
HEAD, ASM, G1-55, CARBON STEEL/TUNGSTEN CARBIDE	-55 (L)	CARBON STEEL/TUNGSTEN CARBIDE	0550-6011-130	3-386-018-41G-00

DESCRIPTION	MODELS - BLACKMER® (VIKING®)	MATERIAL	BLACKMER PN	VIKING® PN
HEAD, ASM, G1-55, STAINLESS STEEL/ HARDENED STAINLESS STEEL	-55 (L)	STAINLESS STEEL/ HARDENED STAINLESS STEEL	0550-6010-150	3-387-027-784-00
HEAD, ASM, G1-69, CAST IRON/HARDENED STEEL	-69 (LL)	CAST IRON/HARDENED STEEL	0690-6010-110	3-386-200-088-00
HEAD, ASM, G1-69, CAST IRON/TUNGSTEN CARBIDE	-69 (LL)	CAST IRON/TUNGSTEN CARBIDE	0690-6011-110	3-386-207-084-00
HEAD, ASM, G1-69, CARBON STEEL/HARDENED STEEL	-69 (LL)	CARBON STEEL/HARDENED STEEL	0690-6010-130	3-386-211-41G-00
HEAD, ASM, G1-69, CARBON STEEL/TUNGSTEN CARBIDE	-69 (LL)	CARBON STEEL/TUNGSTEN CARBIDE	0690-6011-130	3-386-211-41G-00
HEAD, ASM, G1-69, STAINLESS STEEL/ HARDENED STAINLESS STEEL	-69 (LL)	STAINLESS STEEL/ HARDENED STAINLESS STEEL	0690-6010-150	3-386-219-784-00
HEAD, ASM, G1-82, CAST IRON/HARDENED STEEL	-82 (LS)	CAST IRON/HARDENED STEEL	0820-6010-110	3-386-300-088-00
HEAD, ASM, G1-82, CARBON STEEL/HARDENED STEEL	-82 (LS)	CARBON STEEL/HARDENED STEEL	0820-6010-130	3-386-301-41G-00
HEAD, ASM, G1-82, STAINLESS STEEL/ HARDENED STAINLESS STEEL	-82 (LS)	STAINLESS STEEL/ HARDENED STAINLESS STEEL	0820-6010-150	3-386-305-784-00
HEAD, ASM, G/V-133, CAST IRON/HARDENED STEEL	-133 (Q)	CAST IRON/HARDENED STEEL	1330-6010-110	3-391-001-088-00
HEAD, ASM, G1-133, CARBON STEEL/HARDENED STEEL	-133 (Q)	CARBON STEEL/HARDENED STEEL	1330-6010-130	3-391-024-41G-00
HEAD, ASM, G1-133, STAINLESS STEEL/ HARDENED STAINLESS STEEL	-133 (Q)	STAINLESS STEEL/ HARDENED STAINLESS STEEL	1330-6010-150	3-391-013-784-00
HEAD, ASM, G1-222, CAST IRON/HARDENED STEEL	-222 (QS)	CAST IRON/HARDENED STEEL	2220-6010-110	3-391-300-088-00
HEAD, ASM, G1-222, CARBON STEEL/HARDENED STEEL	-222 (QS)	CARBON STEEL/HARDENED STEEL	2220-6010-130	3-391-301-41G-00
HEAD, ASM, G1-222, STAINLESS STEEL/ HARDENED STAINLESS STEEL	-222 (QS)	STAINLESS STEEL/ HARDENED STAINLESS STEEL	2220-6010-150	3-391-302-784-00
HEAD, ASM, G/V-254, CAST IRON/HARDENED STEEL	-254 (M)	CAST IRON/HARDENED STEEL	2540-6010-110	3-396-001-088-00
HEAD, ASM, G/V-423, CAST IRON/HARDENED STEEL	-423 (N)	CAST IRON/HARDENED STEEL	4230-6010-110	3-396-200-015-00
HEAD, ASM, JACKETED, G/V-133, CAST IRON/ HARDENED STEEL	-133 (Q)	CAST IRON/HARDENED STEEL	1330-6030-110	3-392-002-088-00
HEAD, ASM, JACKETED, G/V-254, CAST IRON/ HARDENED STEEL	-254 (M)	CAST IRON/HARDENED STEEL	2540-6030-110	3-397-001-088-00
HEAD, ASM, JACKETED, G/V-423, CAST IRON/ HARDENED STEEL	-423 (N)	CAST IRON/HARDENED STEEL	4230-6030-110	3-397-200-015-00
HOUSING, BEARING, G1-2/4, CAST IRON	-2, -4 (H, HL)	CAST IRON	0020-1100-110	2-060-029-722-00
HOUSING, BEARING, ASM, G1-2/4, CAST IRON	-2, -4 (H, HL)	CAST IRON	0020-1000-110	3-060-070-999-00
HOUSING, BEARING, G1-24/32/55/69, CAST IRON	-24, -32, -55, -69 (K, KK, L, LL)	CAST IRON	0240-1100-110	2-060-026-722-00
HOUSING, BEARING, G1-82, CAST IRON	-82 (LS)	CAST IRON	0820-1100-110	2-060-032-722-00
HOUSING, BEARING, G1-133/222, CAST IRON	-133, -222 (Q, QS)	CAST IRON	1330-1100-110	2-060-033-722-00
HOUSING, BEARING, ASM, G1-24/32/55/69, CAST IRON	-24, -32, -55, -69 (K, KK, L, LL)	CAST IRON	0240-1000-110	3-060-067-999-00
HOUSING, BEARING, ASM, G1-82, CAST IRON	-82 (LS)	CAST IRON	0820-1000-110	3-060-076-999-00
HOUSING, BEARING, ASM, G1-133/222, CAST IRON	-133, -222 (Q, QS)	CAST IRON	1330-1000-110	3-060-078-999-00
INSERT, BEARING HOUSING, G1-ALL, NYLON	-2, -4, -24, -32, -55, -69, -82 (H, HL, K, KK, L, LL)	NYLON	0020-1790-400	2-490-008-902-00
LIP SEAL, BEARING HOUSING, G1-2/4, BUNA-N	-2, -4 (H, HL)	BUNA-N	0020-1900-900	2-283-007-378-00
LIP SEAL, BEARING HOUSING, G1-24/32/55/69, BUNA-N	-24, -32, -55, -69 (K, KK, L, LL)	BUNA-N	0240-1900-900	2-283-014-378-00
LIP SEAL, BEARING HOUSING, G1-82, BUNA-N	-82 (LS)	BUNA-N	0820-1900-900	2-283-026-378-00
LIP SEAL, BEARING HOUSING, G1-133/222, BUNA-N	-133, -222 (Q, QS)	BUNA-N	1330-1900-900	2-283-031-378-00
LOCKNUT, SHAFT, G1-2/4, CARBON STEEL	-2, -4 (H, HL)	CARBON STEEL	0020-1710-230	2-507-003-375-00
LOCKNUT, SHAFT, G1-24/32/55/69, CARBON STEEL	-24, -32, -55, -69 (K, KK, L, LL)	CARBON STEEL	0240-1710-230	2-507-005-375-00
LOCKNUT, SHAFT, G1-82, CARBON STEEL	-82 (LS)	CARBON STEEL	0820-1710-230	2-507-006-375-00
LOCKNUT, SHAFT, G1-133/222, CARBON STEEL	-133, -222 (Q, QS)	CARBON STEEL	1330-1710-230	2-507-009-375-00

DESCRIPTION	MODELS - BLACKMER® (VIKING®)	MATERIAL	BLACKMER PN	VIKING® PN
LOCKWASHER, SHAFT, G1-2/4, CARBON STEEL	-2, -4 (H, HL)	CARBON STEEL	0020-1720-230	2-807-003-375-00
LOCKWASHER, SHAFT, G1-24/32/55/69, CARBON STEEL	-24, -32, -55, -69 (K, KK, L, LL)	CARBON STEEL	0240-1720-230	2-807-005-375-00
LOCKWASHER, SHAFT, G1-82, CARBON STEEL	-82 (LS)	CARBON STEEL	0820-1720-230	2-807-016-375-00
LOCKWASHER, SHAFT, G1-133/222, CARBON STEEL	-133, -222 (Q, QS)	CARBON STEEL	1330-1720-230	2-807-010-375-00
NUT, HEX, 3/8"-16, CARBON STEEL/ZINC PLATED	-55, -133 (LQ, Q)	CARBON STEEL/ZINC PLATED	N04C375375WA2A2	2-503-009-255-00
NUT, HEX, 5/8"-11, CARBON STEEL/ZINC PLATED	-133, -222 (Q, QS)	CARBON STEEL/ZINC PLATED	N04C625562WA2A2	2-503-012-255-00
NUT, HEX, 5/8"-11, STAINLESS STEEL	-133, -222 (Q, QS)	STAINLESS STEEL	N04C625562AE2A1	2-503-012-610-00
NUT, HEX, 3/4"-10, CARBON STEEL/ZINC PLATED	-423 (N)	CARBON STEEL/ZINC PLATED	N04C750625WA2A2	2-503-013-255-00
NUT, HEX, CENTERLOCK, 5/16"-18, CARBON STEEL/ ZINC PLATED	-2, -4 (H, HL)	CARBON STEEL/ZINC PLATED	N04C312281WA2A2	2-505-004-375-00
NUT, HEX, CENTERLOCK, 5/16"-18, STAINLESS STEEL	-2, -4 (H, HL)	STAINLESS STEEL	N04C312281AA9A1	2-505-004-610-00
NUT, HEX, CENTERLOCK, 5/8"-11, STAINLESS STEEL	-133, -222 (Q, QS)	STAINLESS STEEL	N04C625562CL0A1	2-505-009-610-00 or 2-505-009-375-00
NUT, HEX, CENTERLOCK, 7/16"-14, CARBON STEEL/ ZINC PLATED	-24, -32, -55, -69, -82 (K, KK, L, LL, LS)	CARBON STEEL/ZINC PLATED	N04C438375WA2A2	2-505-008-375-00
NUT, HEX, CENTERLOCK, 7/16"-14, STAINLESS STEEL	-24, -32, -55, -69, -82 (K, KK, L, LL, LS)	STAINLESS STEEL	N04C438375AA9A1	2-505-008-610-00
PACKING, ASM, G1-2/4, 5 RINGS, PTFE-GRAPHITE	-2, -4 (H, HL)	PTFE - GRAPHITE	0020-8100-925K	2-520-012-830-00 with 2-805-017-375 or 2-520-067-830-00 with 2-805-102-610-00
PACKING, ASM, G1-2/4, 5 RINGS, HI TEMP PTFE-GRAPHITE	-2, -4 (H, HL)	HIGH TEMP PTFE - GRAPHITE	0020-8100-927K	3-524-007-48N-00
PACKING, ASM, G1-24/32/55/69, 6 RINGS, PTFE-GRAPHITE	-24, -32, -55, -69 (K, KK, L, LL)	PTFE - GRAPHITE	0240-8100-925K	2-520-066-830-00 with 2-805-103-610-00
PACKING, ASM, G1-24/32/55/69, 6 RINGS, HI TEMP PTFE-GRAPHITE	-24, -32, -55, -69 (K, KK, L, LL)	HIGH TEMP PTFE - GRAPHITE	0240-8100-927K	3-524-008-48N-00
PACKING, ASM, V-55, 10 RINGS, PTFE-GRAPHITE	-55 (LQ)	PTFE-GRAPHITE	0550-8100-925K	2-520-015-830-00 with 2-805-026-375-00
PACKING, ASM, G1-82, 7 RINGS, PTFE-GRAPHITE	-82 (LS)	PTFE - GRAPHITE	0820-8100-925K	2-520-043-830-00 with 2-805-069-375-00 or 2-520-043-830-00 with 2-805-069-630-00
PACKING, ASM, G1-133/222, V-423, 7 RINGS, PTFE-GRAPHITE	-133, -222, -423 (Q, QS, N)	PTFE-GRAPHITE	1330-8100-925K	2-520-018-830-00 with 2-805-034-210-00 or 2-520-018-830-00 with 2-805-034-630-00
PACKING, ASM, V-133/254, 10 RINGS, PTFE-GRAPHITE	-133, -254 (Q, M)	PTFE-GRAPHITE	2540-8100-925K	2-520-017-830-00 with 2-805-033-210-00
PIN, IDLER, G1-2, HARDENED STEEL	-2 (H)	HARDENED STEEL	0020-6200-231	2-433-003-291-00
PIN, IDLER, G1-2, HARDENED STAINLESS STEEL	-2 (H)	HARDENED STAINLESS STEEL	0020-6200-254	2-433-022-634-00
PIN, IDLER, G1-2, TUNGSTEN CARBIDE	-2 (H)	TUNGSTEN CARBIDE	0020-6200-340	2-433-011-765-00
PIN, IDLER, G1-4, HARDENED STEEL	-4 (HL)	HARDENED STEEL	0040-6200-231	2-433-003-291-00
PIN, IDLER, G1-4, HARDENED STAINLESS STEEL	-4 (HL)	HARDENED STAINLESS STEEL	0040-6200-254	2-433-023-634-00

DESCRIPTION	MODELS - BLACKMER® (VIKING®)	MATERIAL	BLACKMER PN	VIKING® PN
PIN, IDLER, G1-4, TUNGSTEN CARBIDE	-4 (HL)	TUNGSTEN CARBIDE	0040-6200-340	2-433-012-765-00
PIN, IDLER, G1-24, HARDENED STEEL	-24 (K)	HARDENED STEEL	0240-6200-231	2-435-011-291-00
PIN, IDLER, G1-24, HARDENED STAINLESS STEEL	-24 (K)	HARDENED STAINLESS STEEL	0240-6200-254	2-435-038-634-00
PIN, IDLER, G1-24, TUNGSTEN CARBIDE	-24 (K)	TUNGSTEN CARBIDE	0240-6200-340	2-435-008-765-00
PIN, IDLER, G1-32, HARDENED STEEL	-32 (KK)	HARDENED STEEL	0320-6200-231	2-435-012-291-00
PIN, IDLER, G1-32, HARDENED STAINLESS STEEL	-32 (KK)	HARDENED STAINLESS STEEL	0320-6200-254	2-435-039-634-00
PIN, IDLER, G1-32, TUNGSTEN CARBIDE	-32 (KK)	TUNGSTEN CARBIDE	0320-6200-340	2-435-009-765-00
PIN, IDLER, G/V-55 HARDENED STEEL	-55 (L)	HARDENED STEEL	0550-6200-231	2-436-006-291-00
PIN, IDLER, G1-55, HARDENED STAINLESS STEEL	-55 (L)	HARDENED STAINLESS STEEL	0550-6200-254	2-436-022-634-00
PIN, IDLER, G/V-55, TUNGSTEN CARBIDE	-55 (L)	TUNGSTEN CARBIDE	0550-6200-340	2-436-004-765-00
PIN, IDLER, G1-69, HARDENED STEEL	-69 (LL)	HARDENED STEEL	0690-6200-231	2-436-007-291-00
PIN, IDLER, G1-69, HARDENED STAINLESS STEEL	-69 (LL)	HARDENED STAINLESS STEEL	0690-6200-254	2-436-023-634-00
PIN, IDLER, G1-69, TUNGSTEN CARBIDE	-69 (LL)	TUNGSTEN CARBIDE	0690-6200-340	2-436-005-765-00
PIN, IDLER, G1-82, HARDENED STEEL	-82 (LS)	HARDENED STEEL	0820-6200-231	2-437-007-291-00
PIN, IDLER, G1-82, HARDENED STAINLESS STEEL	-82 (LS)	HARDENED STAINLESS STEEL	0820-6200-254	2-437-008-634-00
PIN, IDLER, G1-133, V133/254, HARDENED STEEL	-133, -254 (Q, M)	HARDENED STEEL	1330-6200-231	2-447-005-291-00
PIN, IDLER, G1-133, HARDENED STAINLESS STEEL	-133 (Q)	HARDENED STAINLESS STEEL	1330-6200-254	2-447-022-634-00
PIN, IDLER, G1-222, HARDENED STEEL	-222 (QS)	HARDENED STEEL	2220-6200-231	2-447-034-291-00
PIN, IDLER, G1-222, HARDENED STAINLESS STEEL	-222 (QS)	HARDENED STAINLESS STEEL	2220-6200-254	2-447-036-634-00
PIN, IDLER, G/V-423, HARDENED STEEL	-423 (N)	HARDENED STEEL	4230-6200-231	2-447-007-281-00
PLUG, PIPE, 1/4" NPT, CARBON STEEL/ZINC PLATED	-82, -133, -222 (LS, Q, QS)	CARBON STEEL/ZINC PLATED	PLUG-025NSH-230	2-542-004-376-00
PLUG, PIPE, 1/4" NPT, STAINLESS STEEL	-82, -133, -222 (LS, Q, QS)	STAINLESS STEEL	PLUG-025NSH-250	2-542-004-610-00
PLUG, PIPE, 1/8" NPT, CARBON STEEL/ZINC PLATED	-2, -4, -24, -32, -55, -69, -82 (H, HL, K, KK, L, LL)	CARBON STEEL/ZINC PLATED	PLUG-013NSH-230	2-542-001-376-00
PLUG, PIPE, 1/8" NPT, STAINLESS STEEL	-2, -4, -24, -32, -55, -69, -82 (H, HL, K, KK, L, LL)	STAINLESS STEEL	PLUG-013NSH-250	2-542-001-610-00
PLUG, PIPE, 3/8" NPT, CARBON STEEL/ZINC PLATED	-133, -222 (Q, QS)	CARBON STEEL/ZINC PLATED	PLUG-038NSH-230	2-542-010-376-00
PLUG, PIPE, 3/8" NPT, STAINLESS STEEL	-133, -222 (Q, QS)	STAINLESS STEEL	PLUG-038NSH-250	2-542-010-610-00
PLUG, PIPE, 3/4" NPT, CARBON STEEL/ZINC PLATED	-55, -133, -254, -423 (LQ, Q, M, N)	CARBON STEEL/ZINC PLATED	PLUG-075NSH-230	N/A
PLUG, PIPE, 1" NPT, CARBON STEEL/ZINC PLATED	-55, -133 (LQ, Q)	CARBON STEEL/ZINC PLATED	PLUG-100NSH-230	N/A
PLUG, PIPE, 1-1/2" NPT, CARBON STEEL/ZINC PLATED	-55, -133, -254, -423 (LQ, Q, M, N)	CARBON STEEL/ZINC PLATED	PLUG-150NSH-230	N/A
PLUG, PIPE, 1-1/4" NPT, CARBON STEEL/ZINC PLATED	-133 (Q)	CARBON STEEL/ZINC PLATED	PLUG-125NSH-230	N/A
PLUG, PIPE, 2" NPT, CARON STEEL/ZINC PLATED	-423 (N)	CARBON STEEL/ZINC PLATED	PLUG-200NSH-230	N/A
RING, HALF ROUND, G1-24/32/55/69, CARBON STEEL	-24, -32, -55, -69 (K, KK, L, LL)	CARBON STEEL	0240-1310-230	2-557-004-370-00
RING, HALF ROUND, G1-82, CARBON STEEL	-82 (LS)	CARBON STEEL	0820-1310-230	2-557-002-370-00
ROTOR/SHAFT, ASM, G1-2, A/B, CAST IRON/CARBON STEEL	-2 (H)	CAST IRON/CARBON STEEL	0020-4000-110	3-566-156-012-00
ROTOR/SHAFT, ASM, G1-2, C, CAST IRON/CARBON STEEL	-2 (H)	CAST IRON/CARBON STEEL	0020-4002-110	3-566-156-012-24
ROTOR/SHAFT, ASM, G1-2, D, CAST IRON/CARBON STEEL	-2 (H)	CAST IRON/CARBON STEEL	0020-4003-110	3-566-156-012-34
ROTOR/SHAFT, ASM, G1-2, A/B/C, CARBON STEEL/ CARBON STEEL	-2 (H)	CARBON STEEL/CARBON STEEL	0020-4000-130	3-567-155-420-24
ROTOR/SHAFT, ASM, G1-2, D, CARBON STEEL/ CARBON STEEL	-2 (H)	CARBON STEEL/CARBON STEEL	0020-4003-130	3-567-155-420-34

DESCRIPTION	MODELS - BLACKMER® (VIKING®)	MATERIAL	BLACKMER PN	VIKING® PN
ROTOR/SHAFT, ASM, G1-2, E, CARBON STEEL/ CARBON STEEL	-2 (H)	CARBON STEEL/CARBON STEEL	0020-4004-130	3-567-155-420-44
ROTOR/SHAFT, ASM, G1-2, A/B, STAINLESS/STAINLESS	-2 (H)	STAINLESS STEEL/STAINLESS STEEL	0020-4000-155	3-567-155-724-24
ROTOR/SHAFT, ASM, G1-2, C, STAINLESS/STAINLESS	-2 (H)	STAINLESS STEEL/STAINLESS STEEL	0020-4002-155	3-567-155-724-34
ROTOR/SHAFT, ASM, G1-2, D, STAINLESS/STAINLESS	-2 (H)	STAINLESS STEEL/STAINLESS STEEL	0020-4003-155	3-567-155-724-44
ROTOR/SHAFT, ASM, G1-2, A/B, N60/STAINLESS	-2 (H)	NITRONIC 60/STAINLESS STEEL	0020-4000-176	3-567-155-724-24
ROTOR/SHAFT, ASM, G1-2, C, N60/STAINLESS	-2 (H)	NITRONIC 60/STAINLESS STEEL	0020-4002-176	3-567-155-724-34
ROTOR/SHAFT, ASM, G1-2, D, N60/STAINLESS	-2 (H)	NITRONIC 60/STAINLESS STEEL	0020-4003-176	3-567-155-724-44
ROTOR/SHAFT, ASM, G1-2, A/B, CAST IRON/HARDENED STEEL	-2 (H)	CAST IRON/HARDENED STEEL	0020-4020-110	3-566-156-012-00
ROTOR/SHAFT, ASM, G1-2, C, CAST IRON/HARDENED STEEL	-2 (H)	CAST IRON/HARDENED STEEL	0020-4022-110	3-566-156-012-24
ROTOR/SHAFT, ASM, G1-2, D, CAST IRON/HARDENED STEEL	-2 (H)	CAST IRON/HARDENED STEEL	0020-4023-110	3-566-156-012-34
ROTOR/SHAFT, ASM, G1-2, A/B/C, CARBON STEEL/ HARDENED STEEL	-2 (H)	CARBON STEEL/HARDENED STEEL	0020-4020-130	3-567-161-423-24
ROTOR/SHAFT, ASM, G1-2, D, CARBON STEEL/ HARDENED STEEL	-2 (H)	CARBON STEEL/HARDENED STEEL	0020-4023-130	3-567-161-423-34
ROTOR/SHAFT, ASM, G1-2, E, CARBON STEEL/ HARDENED STEEL	-2 (H)	CARBON STEEL/HARDENED STEEL	0020-4024-130	3-567-161-423-44
ROTOR/SHAFT, ASM, G1-4, A/B, CAST IRON/CARBON STEEL	-4 (HL)	CAST IRON/CARBON STEEL	0040-4000-110	3-566-556-012-00
ROTOR/SHAFT, ASM, G1-4, C, CAST IRON/CARBON STEEL	-4 (HL)	CAST IRON/CARBON STEEL	0040-4002-110	3-566-556-012-24
ROTOR/SHAFT, ASM, G1-4, D, CAST IRON/CARBON STEEL	-4 (HL)	CAST IRON/CARBON STEEL	0040-4003-110	3-566-556-012-34
ROTOR/SHAFT, ASM, G1-4, A/B/C, ALLOY STEEL/ CARBON STEEL	-4 (HL)	ALLOY STEEL/CARBON STEEL	0040-4000-170	3-567-567-420-24 or 3-567-161-423-24
ROTOR/SHAFT, ASM, G1-4, D, ALLOY STEEL/CARBON STEEL	-4 (HL)	ALLOY STEEL/CARBON STEEL	0040-4003-170	3-567-567-420-34 or 3-567-161-423-34
ROTOR/SHAFT, ASM, G1-4, E, ALLOY STEEL/CARBON STEEL	-4 (HL)	ALLOY STEEL/CARBON STEEL	0040-4004-170	3-567-567-420-44 or 3-567-161-423-44
ROTOR/SHAFT, ASM, G1-4, A/B, STAINLESS/STAINLESS	-4 (HL)	STAINLESS STEEL/STAINLESS STEEL	0040-4000-155	3-567-567-724-24
ROTOR/SHAFT, ASM, G1-4, C, STAINLESS/STAINLESS	-4 (HL)	STAINLESS STEEL/STAINLESS STEEL	0040-4002-155	3-567-567-724-34
ROTOR/SHAFT, ASM, G1-4, D, STAINLESS/STAINLESS	-4 (HL)	STAINLESS STEEL/STAINLESS STEEL	0040-4003-155	3-567-567-724-44
ROTOR/SHAFT, ASM, G1-4, A/B, N60/STAINLESS	-4 (HL)	NITRONIC 60/STAINLESS STEEL	0040-4000-176	3-567-567-724-24
ROTOR/SHAFT, ASM, G1-4, C, N60/STAINLESS	-4 (HL)	NITRONIC 60/STAINLESS STEEL	0040-4002-176	3-567-567-724-34
ROTOR/SHAFT, ASM, G1-4, D, N60/STAINLESS	-4 (HL)	NITRONIC 60/STAINLESS STEEL	0040-4003-176	3-567-567-724-44
ROTOR/SHAFT, ASM, G1-4, A/B, CAST IRON/ HARDENED STEEL	-4 (HL)	CAST IRON/HARDENED STEEL	0040-4020-110	3-566-556-012-00
ROTOR/SHAFT, ASM, G1-4, C, CAST IRON/HARDENED STEEL	-4 (HL)	CAST IRON/HARDENED STEEL	0040-4022-110	3-566-556-012-24
ROTOR/SHAFT, ASM, G1-4, D, CAST IRON/HARDENED STEEL	-4 (HL)	CAST IRON/HARDENED STEEL	0040-4023-110	3-566-556-012-34
ROTOR/SHAFT, ASM, G1-4, A/B/C, ALLOY STEEL/ HARDENED STEEL	-4 (HL)	ALLOY STEEL/HARDENED STEEL	0040-4020-170	3-567-561-423-24
ROTOR/SHAFT, ASM, G1-4, D, ALLOY STEEL/ HARDENED STEEL	-4 (HL)	ALLOY STEEL/HARDENED STEEL	0040-4023-170	3-567-561-423-34
ROTOR/SHAFT, ASM, G1-4, E, ALLOY STEEL/ HARDENED STEEL	-4 (HL)	ALLOY STEEL/HARDENED STEEL	0040-4024-170	3-567-561-423-44
ROTOR/SHAFT, ASM, G1-24, A/B, CAST IRON/CARBON STEEL	-24 (K)	CAST IRON/CARBON STEEL	0240-4000-110	3-570-352-012-00
ROTOR/SHAFT, ASM, G1-24, C, CAST IRON/CARBON STEEL	-24 (K)	CAST IRON/CARBON STEEL	0240-4002-110	3-570-352-012-37
ROTOR/SHAFT, ASM, G1-24, D, CAST IRON/CARBON STEEL	-24 (K)	CAST IRON/CARBON STEEL	0240-4003-110	3-570-352-012-47

DESCRIPTION	MODELS - BLACKMER® (VIKING®)	MATERIAL	BLACKMER PN	VIKING® PN
ROTOR/SHAFT, ASM, G1-24, A/B/C, CARBON STEEL/ CARBON STEEL	-24 (K)	CARBON STEEL/CARBON STEEL	0240-4000-130	3-571-359-43S-47
ROTOR/SHAFT, ASM, G1-24, D, CARBON STEEL/CARBON STEEL	-24 (K)	CARBON STEEL/CARBON STEEL	0240-4003-130	3-571-359-43S-57
ROTOR/SHAFT, ASM, G1-24, E, CARBON STEEL/CARBON STEEL	-24 (K)	CARBON STEEL/CARBON STEEL	0240-4004-130	3-571-359-43S-67
ROTOR/SHAFT, ASM, G1-24, A, STAINLESS/STAINLESS	-24 (K)	STAINLESS STEEL/STAINLESS STEEL	0240-4000-155	3-571-359-724-47
ROTOR/SHAFT, ASM, G1-24, B/C, STAINLESS/STAINLESS	-24 (K)	STAINLESS STEEL/STAINLESS STEEL	0240-4001-155	3-571-359-724-57
ROTOR/SHAFT, ASM, G1-24, D, STAINLESS/STAINLESS	-24 (K)	STAINLESS STEEL/STAINLESS STEEL	0240-4003-155	3-571-359-724-67
ROTOR/SHAFT, ASM, G1-24, A, N60/STAINLESS	-24 (K)	NITRONIC 60/STAINLESS STEEL	0240-4000-176	3-571-359-724-47
ROTOR/SHAFT, ASM, G1-24, B/C, N60/STAINLESS	-24 (K)	NITRONIC 60/STAINLESS STEEL	0240-4001-176	3-571-359-724-57
ROTOR/SHAFT, ASM, G1-24, D, N60/STAINLESS	-24 (K)	NITRONIC 60/STAINLESS STEEL	0240-4003-176	3-571-359-724-67
ROTOR/SHAFT, ASM, G1-24, A/B, CAST IRON/HARDENED STEEL	-24 (K)	CAST IRON/HARDENED STEEL	0240-4020-110	3-570-352-012-00
ROTOR/SHAFT, ASM, G1-24, C, CAST IRON/HARDENED STEEL	-24 (K)	CAST IRON/HARDENED STEEL	0240-4022-110	3-570-352-012-37
ROTOR/SHAFT, ASM, G1-24, D, CAST IRON/HARDENED STEEL	-24 (K)	CAST IRON/HARDENED STEEL	0240-4023-110	3-570-352-012-47
ROTOR/SHAFT, ASM, G1-24, A/B/C, CARBON STEEL/HARDENED STEEL	-24 (K)	CARBON STEEL/HARDENED STEEL	0240-4020-130	3-571-367-44H-47
ROTOR/SHAFT, ASM, G1-24, D, CARBON STEEL/ HARDENED STEEL	-24 (K)	CARBON STEEL/HARDENED STEEL	0240-4023-130	3-571-367-44H-57
ROTOR/SHAFT, ASM, G1-24, E, CARBON STEEL/ HARDENED STEEL	-24 (K)	CARBON STEEL/HARDENED STEEL	0240-4024-130	3-571-367-44H-67
ROTOR/SHAFT, ASM, G1-32, A/B, DUCTILE IRON/ CARBON STEEL	-32 (KK)	DUCTILE IRON/CARBON STEEL	0320-4000-120	3-570-552-312-37
ROTOR/SHAFT, ASM, G1-32, C/D, DUCTILE IRON/ CARBON STEEL	-32 (KK)	DUCTILE IRON/CARBON STEEL	0320-4002-120	3-570-552-312-47
ROTOR/SHAFT, ASM, G1-32, A/B/C, CARBON STEEL/ CARBON STEEL	-32 (KK)	CARBON STEEL/CARBON STEEL	0320-4000-130	3-571-553-43S-47
ROTOR/SHAFT, ASM, G1-32, D, CARBON STEEL/ CARBON STEEL	-32 (KK)	CARBON STEEL/CARBON STEEL	0320-4003-130	3-571-553-43S-57
ROTOR/SHAFT, ASM, G1-32, E, CARBON STEEL/ CARBON STEEL	-32 (KK)	CARBON STEEL/CARBON STEEL	0320-4004-130	3-571-553-43S-67
ROTOR/SHAFT, ASM, G1-32, A, STAINLESS/STAINLESS	-32 (KK)	STAINLESS STEEL/STAINLESS STEEL	0320-4000-155	3-571-553-724-47
ROTOR/SHAFT, ASM, G1-32, B/C, STAINLESS/STAINLESS	-32 (KK)	STAINLESS STEEL/STAINLESS STEEL	0320-4001-155	3-571-553-724-57
ROTOR/SHAFT, ASM, G1-32, D, STAINLESS/STAINLESS	-32 (KK)	STAINLESS STEEL/STAINLESS STEEL	0320-4003-155	3-571-553-724-67
ROTOR/SHAFT, ASM, G1-32, A, N60/STAINLESS	-32 (KK)	NITRONIC 60/STAINLESS STEEL	0320-4000-176	3-571-553-724-47
ROTOR/SHAFT, ASM, G1-32, B/C, N60/STAINLESS	-32 (KK)	NITRONIC 60/STAINLESS STEEL	0320-4001-176	3-571-553-724-57
ROTOR/SHAFT, ASM, G1-32, D, N60/STAINLESS	-32 (KK)	NITRONIC 60/STAINLESS STEEL	0320-4003-176	3-571-553-724-67
ROTOR/SHAFT, ASM, G1-32, A/B, DUCTILE IRON/ HARDENED STEEL	-32 (KK)	DUCTILE IRON/HARDENED STEEL	0320-4020-120	3-570-552-312-37
ROTOR/SHAFT, ASM, G1-32, C/D, DUCTILE IRON/ HARDENED STEEL	-32 (KK)	DUCTILE IRON/HARDENED STEEL	0320-4022-120	3-570-552-312-47
ROTOR/SHAFT, ASM, G1-32, A/B/C, CARBON STEEL/ HARDENED STEEL	-32 (KK)	CARBON STEEL/HARDENED STEEL	0320-4020-130	3-571-553-43S-47
ROTOR/SHAFT, ASM, G1-32, D, CARBON STEEL/ HARDENED STEEL	-32 (KK)	CARBON STEEL/HARDENED STEEL	0320-4023-130	3-571-553-43S-57
ROTOR/SHAFT, ASM, G1-32, E, CARBON STEEL/ HARDENED STEEL	-32 (KK)	CARBON STEEL/HARDENED STEEL	0320-4024-130	3-571-553-43S-67
ROTOR/SHAFT, ASM, G1-55, A/B, CAST IRON/CARBON STEEL	-55 (L)	CAST IRON/CARBON STEEL	0550-4000-110	3-572-155-012-00
ROTOR/SHAFT, ASM, G1-55, C, CAST IRON/CARBON STEEL	-55 (L)	CAST IRON/CARBON STEEL	0550-4002-110	3-572-155-012-37
ROTOR/SHAFT, ASM, G1-55, D, CAST IRON/CARBON STEEL	-55 (L)	CAST IRON/CARBON STEEL	0550-4003-110	3-572-155-012-47

DESCRIPTION	MODELS - BLACKMER® (VIKING®)	MATERIAL	BLACKMER PN	VIKING® PN
ROTOR/SHAFT, ASM, G1-55, E, CAST IRON/CARBON STEEL	-55 (L)	CAST IRON/CARBON STEEL	0550-4004-110	3-572-155-012-57
ROTOR/SHAFT, ASM, G1-55, A/B/C, CARBON STEEL/ CARBON STEEL	-55 (L)	CARBON STEEL/CARBON STEEL	0550-4000-130	3-573-153-43S-47
ROTOR/SHAFT, ASM, G1-55, D, CARBON STEEL/ CARBON STEEL	-55 (L)	CARBON STEEL/CARBON STEEL	0550-4003-130	3-573-153-43S-57
ROTOR/SHAFT, ASM, G1-55, E, CARBON STEEL/ CARBON STEEL	-55 (L)	CARBON STEEL/CARBON STEEL	0550-4004-130	3-573-153-43S-67
ROTOR/SHAFT, ASM, G1-55, F, CARBON STEEL/ CARBON STEEL	-55 (L)	CARBON STEEL/CARBON STEEL	0550-4005-130	3-573-153-43S-67
ROTOR/SHAFT, ASM, G1-55, A, STAINLESS/STAINLESS	-55 (L)	STAINLESS STEEL/STAINLESS STEEL	0550-4000-155	3-573-153-724-47
ROTOR/SHAFT, ASM, G1-55, B/C, STAINLESS/STAINLESS	-55 (L)	STAINLESS STEEL/STAINLESS STEEL	0550-4001-155	3-573-153-724-57
ROTOR/SHAFT, ASM, G1-55, D, STAINLESS/STAINLESS	-55 (L)	STAINLESS STEEL/STAINLESS STEEL	0550-4003-155	3-573-153-724-67
ROTOR/SHAFT, ASM, G1-55, A, N60/STAINLESS	-55 (L)	NITRONIC 60/STAINLESS STEEL	0550-4000-176	3-573-153-724-47
ROTOR/SHAFT, ASM, G1-55, B/C, N60/STAINLESS	-55 (L)	NITRONIC 60/STAINLESS STEEL	0550-4001-176	3-573-153-724-57
ROTOR/SHAFT, ASM, G1-55, D, N60/STAINLESS	-55 (L)	NITRONIC 60/STAINLESS STEEL	0550-4003-176	3-573-153-724-67
ROTOR/SHAFT, ASM, G1-55, A/B, CAST IRON/ HARDENED STEEL	-55 (L)	CAST IRON/HARDENED STEEL	0550-4020-110	3-572-155-012-00
ROTOR/SHAFT, ASM, G1-55, C, CAST IRON/HARDENED STEEL	-55 (L)	CAST IRON/HARDENED STEEL	0550-4022-110	3-572-155-012-37
ROTOR/SHAFT, ASM, G1-55, D, CAST IRON/HARDENED STEEL	-55 (L)	CAST IRON/HARDENED STEEL	0550-4023-110	3-572-155-012-47
ROTOR/SHAFT, ASM, G1-55, E, CAST IRON/HARDENED STEEL	-55 (L)	CAST IRON/HARDENED STEEL	0550-4024-110	3-572-155-012-57
ROTOR/SHAFT, ASM, G1-55, A/B/C, CARBON STEEL/ HARDENED STEEL	-55 (L)	CARBON STEEL/HARDENED STEEL	0550-4020-130	3-573-153-43S-47
ROTOR/SHAFT, ASM, G1-55, D, CARBON STEEL/ HARDENED STEEL	-55 (L)	CARBON STEEL/HARDENED STEEL	0550-4023-130	3-573-153-43S-57
ROTOR/SHAFT, ASM, G1-55, E, CARBON STEEL/ HARDENED STEEL	-55 (L)	CARBON STEEL/HARDENED STEEL	0550-4024-130	3-573-153-43S-67
ROTOR/SHAFT, ASM, G1-55, F, CARBON STEEL/ HARDENED STEEL	-55 (L)	CARBON STEEL/HARDENED STEEL	0550-4025-130	3-573-153-43S-67
ROTOR/SHAFT, ASM, G1-69, A/B, CAST IRON/CARBON STEEL	-69 (LL)	CAST IRON/CARBON STEEL	0690-4000-110	3-572-352-012-00
ROTOR/SHAFT, ASM, G1-69, C, CAST IRON/CARBON STEEL	-69 (LL)	CAST IRON/CARBON STEEL	0690-4002-110	3-572-352-012-37
ROTOR/SHAFT, ASM, G1-69, D, CAST IRON/CARBON STEEL	-69 (LL)	CAST IRON/CARBON STEEL	0690-4003-110	3-572-352-012-47
ROTOR/SHAFT, ASM, G1-69, E, CAST IRON/CARBON STEEL	-69 (LL)	CAST IRON/CARBON STEEL	0690-4004-110	3-572-352-012-57
ROTOR/SHAFT, ASM, G1-69, A/B/C, CARBON STEEL/ CARBON STEEL	-69 (LL)	CARBON STEEL/CARBON STEEL	0690-4000-130	3-573-361-43S-47
ROTOR/SHAFT, ASM, G1-69, D, CARBON STEEL/ CARBON STEEL	-69 (LL)	CARBON STEEL/CARBON STEEL	0690-4003-130	3-573-361-43S-57
ROTOR/SHAFT, ASM, G1-69, E, CARBON STEEL/ CARBON STEEL	-69 (LL)	CARBON STEEL/CARBON STEEL	0690-4004-130	3-573-361-43S-67
ROTOR/SHAFT, ASM, G1-69, F, CARBON STEEL/ CARBON STEEL	-69 (LL)	CARBON STEEL/CARBON STEEL	0690-4005-130	3-573-361-43S-67
ROTOR/SHAFT, ASM, G1-69, A, STAINLESS/STAINLESS	-69 (LL)	STAINLESS STEEL/STAINLESS STEEL	0690-4000-155	3-573-361-724-47
ROTOR/SHAFT, ASM, G1-69, B/C, STAINLESS/STAINLESS	-69 (LL)	STAINLESS STEEL/STAINLESS STEEL	0690-4001-155	3-573-361-724-57
ROTOR/SHAFT, ASM, G1-69, D, STAINLESS/STAINLESS	-69 (LL)	STAINLESS STEEL/STAINLESS STEEL	0690-4003-155	3-573-361-724-67
ROTOR/SHAFT, ASM, G1-69, A, N60/STAINLESS	-69 (LL)	NITRONIC 60/STAINLESS STEEL	0690-4000-176	3-573-361-724-47
ROTOR/SHAFT, ASM, G1-69, B/C, N60/STAINLESS	-69 (LL)	NITRONIC 60/STAINLESS STEEL	0690-4001-176	3-573-361-724-57
ROTOR/SHAFT, ASM, G1-69, D, N60/STAINLESS	-69 (LL)	NITRONIC 60/STAINLESS STEEL	0690-4003-176	3-573-361-724-67
ROTOR/SHAFT, ASM, G1-69, A/B, CAST IRON/ HARDENED STEEL	-69 (LL)	CAST IRON/HARDENED STEEL	0690-4020-110	3-572-352-012-00

DESCRIPTION	MODELS - BLACKMER® (VIKING®)	MATERIAL	BLACKMER PN	VIKING® PN
ROTOR/SHAFT, ASM, G1-69, C, CAST IRON/HARDENED STEEL	-69 (LL)	CAST IRON/HARDENED STEEL	0690-4022-110	3-572-352-012-37
ROTOR/SHAFT, ASM, G1-69, D, CAST IRON/HARDENED STEEL	-69 (LL)	CAST IRON/HARDENED STEEL	0690-4023-110	3-572-352-012-47
ROTOR/SHAFT, ASM, G1-69, E, CAST IRON/HARDENED STEEL	-69 (LL)	CAST IRON/HARDENED STEEL	0690-4024-110	3-572-352-012-57
ROTOR/SHAFT, ASM, G1-69, A/B/C, CARBON STEEL/ HARDENED STEEL	-69 (LL)	CARBON STEEL/HARDENED STEEL	0690-4020-130	3-573-361-43S-47
ROTOR/SHAFT, ASM, G1-69, D, CARBON STEEL/ HARDENED STEEL	-69 (LL)	CARBON STEEL/HARDENED STEEL	0690-4023-130	3-573-361-43S-57
ROTOR/SHAFT, ASM, G1-69, E, CARBON STEEL/ HARDENED STEEL	-69 (LL)	CARBON STEEL/HARDENED STEEL	0690-4024-130	3-573-361-43S-67
ROTOR/SHAFT, ASM, G1-69, F, CARBON STEEL/ HARDENED STEEL	-69 (LL)	CARBON STEEL/HARDENED STEEL	0690-4025-130	3-573-361-43S-67
ROTOR/SHAFT, ASM, G1-82, A/B, DUCTILE IRON/ CARBON STEEL	-82 (LS)	DUCTILE IRON/CARBON STEEL	0820-4000-121	3-572-811-312-37
ROTOR/SHAFT, ASM, G1-82, C, DUCTILE IRON/CARBON STEEL	-82 (LS)	DUCTILE IRON/CARBON STEEL	0820-4002-121	3-572-811-312-47 or 3-573-806-45J-47
ROTOR/SHAFT, ASM, G1-82, D, DUCTILE IRON/CARBON STEEL	-82 (LS)	DUCTILE IRON/CARBON STEEL	0820-4003-121	3-572-811-312-57 or 3-573-806-45J-57
ROTOR/SHAFT, ASM, G1-82, E, DUCTILE IRON/CARBON STEEL	-82 (LS)	DUCTILE IRON/CARBON STEEL	0820-4004-121	3-572-811-312-67 or 3-573-806-45J-67
ROTOR/SHAFT, ASM, G1-82, A/B, N60/STAINLESS	-82 (LS)	NITRONIC 60/STAINLESS STEEL	0820-4000-176	3-573-806-724-47
ROTOR/SHAFT, ASM, G1-82, C, N60/STAINLESS	-82 (LS)	NITRONIC 60/STAINLESS STEEL	0820-4002-176	3-573-806-724-57
ROTOR/SHAFT, ASM, G1-82, D, N60/STAINLESS	-82 (LS)	NITRONIC 60/STAINLESS STEEL	0820-4003-176	3-573-806-724-67
ROTOR/SHAFT, ASM, G1-133, A/B, DUCTILE IRON/ CARBON STEEL	-133 (Q)	DUCTILE IRON/CARBON STEEL	1330-4000-121	3-574-192-012-47 or 3-574-300-312-47 or 3-575-159-43S-47
ROTOR/SHAFT, ASM, G1-133, C, DUCTILE IRON/ CARBON STEEL	-133 (Q)	DUCTILE IRON/CARBON STEEL	1330-4002-121	3-574-192-012-67 or 3-574-300-312-67 or 3-575-159-43S-67
ROTOR/SHAFT, ASM, G1-133, D, DUCTILE IRON/ CARBON STEEL	-133 (Q)	DUCTILE IRON/CARBON STEEL	1330-4003-121	3-574-300-312-77 or 3-575-159-43S-77
ROTOR/SHAFT, ASM, G1-133, A, N60/STAINLESS	-133 (Q)	NITRONIC 60/STAINLESS STEEL	1330-4000-176	3-575-159-724-47
ROTOR/SHAFT, ASM, G1-133, B, N60/STAINLESS	-133 (Q)	NITRONIC 60/STAINLESS STEEL	1330-4001-176	3-575-159-724-67
ROTOR/SHAFT, ASM, G1-133, C, N60/STAINLESS	-133 (Q)	NITRONIC 60/STAINLESS STEEL	1330-4002-176	3-575-159-724-77
ROTOR/SHAFT, ASM, G1-222, A/B, DUCTILE IRON/ CARBON STEEL	-222 (QS)	DUCTILE IRON/CARBON STEEL	2220-4000-121	3-574-300-312-47 or 3-575-300-43S-47
ROTOR/SHAFT, ASM, G1-222, C, DUCTILE IRON/ CARBON STEEL	-222 (QS)	DUCTILE IRON/CARBON STEEL	2220-4002-121	3-574-300-312-67 or 3-575-300-43S-67
ROTOR/SHAFT, ASM, G1-222, D, DUCTILE IRON/ CARBON STEEL	-222 (QS)	DUCTILE IRON/CARBON STEEL	2220-4003-121	3-574-300-312-77 or 3-575-300-43S-77
ROTOR/SHAFT, ASM, G1-222, A, N60/STAINLESS	-222 (QS)	NITRONIC 60/STAINLESS STEEL	2220-4000-176	3-575-300-724-47
ROTOR/SHAFT, ASM, G1-222, B, N60/STAINLESS	-222 (QS)	NITRONIC 60/STAINLESS STEEL	2220-4001-176	3-575-300-724-67
ROTOR/SHAFT, ASM, G1-222, C, N60/STAINLESS	-222 (QS)	NITRONIC 60/STAINLESS STEEL	2220-4002-176	3-575-300-724-77
ROTOR/SHAFT, ASM, V2-55, A, DUCTILE IRON/CARBON STEEL	-55 (LQ)	DUCTILE IRON/CARBON STEEL	0550-4040-121	3-572-005-012-37 or 3-573-003-43S-47

DESCRIPTION	MODELS - BLACKMER® (VIKING®)	MATERIAL	BLACKMER PN	VIKING® PN
ROTOR/SHAFT, ASM, V2-55, B, DUCTILE IRON/CARBON STEEL	-55 (LQ)	DUCTILE IRON/CARBON STEEL	0550-4041-121	3-572-005-012-47 or 3-573-003-43S-47
ROTOR/SHAFT, ASM, V2-55, C, DUCTILE IRON/CARBON STEEL	-55 (LQ)	DUCTILE IRON/CARBON STEEL	0550-4042-121	3-573-003-43S-67
ROTOR/SHAFT, ASM, V2-133, A, DUCTILE IRON/CARBON STEEL	-133 (Q)	DUCTILE IRON/CARBON STEEL	1330-4040-121	3-574-004-012-47 or 3-575-004-43S-47
ROTOR/SHAFT, ASM, V2-133, B, DUCTILE IRON/CARBON STEEL	-133 (Q)	DUCTILE IRON/CARBON STEEL	1330-4041-121	3-574-004-012-67 or 3-575-004-43S-67
ROTOR/SHAFT, ASM, V2-133, C, DUCTILE IRON/CARBON STEEL	-133 (Q)	DUCTILE IRON/CARBON STEEL	1330-4042-121	3-575-004-43S-77
ROTOR/SHAFT, ASM, V2-254, A, DUCTILE IRON/CARBON STEEL	-254 (M)	DUCTILE IRON/CARBON STEEL	2540-4040-121	3-576-012-012-47 or 3-577-009-43S-47
ROTOR/SHAFT, ASM, V2-254, B, DUCTILE IRON/CARBON STEEL	-254 (M)	DUCTILE IRON/CARBON STEEL	2540-4041-121	3-576-012-012-67 or 3-577-009-43S-67
ROTOR/SHAFT, ASM, V2-254, C, DUCTILE IRON/CARBON STEEL	-254 (M)	DUCTILE IRON/CARBON STEEL	2540-4042-121	3-577-009-43S-77
ROTOR/SHAFT, ASM, V2-423, A, DUCTILE IRON/CARBON STEEL	-423 (N)	DUCTILE IRON/CARBON STEEL	4230-4040-121	3-576-202-012-47 or 3-577-204-45J-47
ROTOR/SHAFT, ASM, V2-423, B, DUCTILE IRON/CARBON STEEL	-423 (N)	DUCTILE IRON/CARBON STEEL	4230-4041-121	3-576-202-012-67 or 3-577-204-45J-67
ROTOR/SHAFT, ASM, V2-423, C, DUCTILE IRON/CARBON STEEL	-423 (N)	DUCTILE IRON/CARBON STEEL	4230-4042-121	3-577-204-45J-77
ROTOR BEARING SLEEVE, ASM, JACKETED, V-55, CAST IRON	-55 (LQ)	CAST IRON	0550-2040-110	3-586-006-052-02
ROTOR BEARING SLEEVE, ASM, JACKETED, V-133/254, CAST IRON	-133, -254 (Q, M)	CAST IRON	1330-2040-110	3-587-009-052-05
ROTOR BEARING SLEEVE, ASM, JACKETED, V-423, CAST IRON	-423 (N)	CAST IRON	4230-2040-110	3-588-004-052-05
SCREW, CAP, HEX SOCKET HEAD, 5/16"-18 X 3/4", CARBON STEEL/BLACK OXIDE	-2, -4 (H, HL)	CARBON STEEL/BLACK OXIDE	S14U312750WA6L7	2-153-036-255-00
SCREW, CAP, HEX SOCKET HEAD, 5/16"-18 X 3/4", STAINLESS STEEL	-2, -4 (H, HL)	STAINLESS STEEL	S14U312750AA9A1	2-153-036-610-00
SCREW, CAP, HEX SOCKET HEAD, 3/8"-16 X 3/4", CARBON STEEL/ZINC PLATED	-55 (LQ)	CARBON STEEL/ZINC PLATED	S14C375750WA2A2	N/A
SCREW, CAP, HEX SOCKET HEAD, 1/2"-13 X 1/2", CARBON STEEL/ZINC PLATED	-133 (Q)	CARBON STEEL/ZINC PLATED	S14C500500WA2A2	N/A
SCREW, CAP, HEX, 5/16"-18 X 5/8", CARBON STEEL/ZINC PLATED	-24, -32 (K, KK)	CARBON STEEL/ZINC PLATED	S01C312625WA2A2	2-150-019-255-00
SCREW, CAP, HEX, 5/16"-18 X 5/8", STAINLESS STEEL	-24, -32 (K, KK)	STAINLESS STEEL	S01C312625AA9A1	2-150-019-610-00
SCREW, CAP, HEX, 5/16"-18 X 3/4", CARBON STEEL/ZINC PLATED	-2, -4 (H, HL)	CARBON STEEL/ZINC PLATED	S01C312750WA2A2	2-150-004-255-00
SCREW, CAP, HEX, 5/16"-18 X 3/4", STAINLESS STEEL	-2, -4 (H, HL)	STAINLESS STEEL	S01C312750AA9A1	2-150-032-610-00 or 2-150-004-610-00
SCREW, CAP, HEX, 5/16"-18 X 2", CARBON STEEL/ZINC PLATED	-2, -4 (H, HL)	CARBON STEEL/ZINC PLATED	S01C312B00WA2A2	2-066-005-375-00
SCREW, CAP, HEX, 5/16"-18 X 2-1/4", STAINLESS STEEL	-2, -4 (H, HL)	STAINLESS STEEL	S01C312B25CL0A1	2-066-013-610-00
SCREW, CAP, HEX, 3/8"-16 X 3/4", CARBON STEEL/ZINC PLATED	-55, -69, -82, -133, -222 (L, LL, LS, Q, QS)	CARBON STEEL/ZINC PLATED	S01C375750WA2A2	2-150-032-255-00
SCREW, CAP, HEX, 3/8"-16 X 3/4", STAINLESS STEEL	-55, -69, (L, LL)	STAINLESS STEEL	S01C375750AA9A1	2-150-032-610-00
SCREW, CAP, HEX, 3/8"-16 X 3/4", STAINLESS STEEL (GRADE B8, CLASS 2)	-82 (LS)	STAINLESS STEEL (GRADE B8, CLASS 2)	S01C375750AE2A1	2-150-032-610-00
SCREW, CAP, HEX, 7/16"-14 X 1-1/8", CARBON STEEL/ZINC PLATED	-24, -32, -55, -69, -82 (K, KK, L, LL, LS)	CARBON STEEL/ZINC PLATED	S01C438A12WA2A2	2-150-047-255-00

DESCRIPTION	MODELS - BLACKMER® (VIKING®)	MATERIAL	BLACKMER PN	VIKING® PN
SCREW, CAP, HEX, 7/16"-14 X 1-1/8", STAINLESS STEEL	-24, -32, -55, -69, -82 (K, KK, L, LL, LS)	STAINLESS STEEL	S01C438A12AA9A1	2-150-020-610-00 or 2-150-047-610-00
SCREW, CAP, HEX, 7/16"-14 X 1-1/4", CARBON STEEL/ ZINC PLATED	-82 (LS)	CARBON STEEL/ZINC PLATED	S01C438A25WA2A8	2-150-039-255-00
SCREW, CAP, HEX, 7/16"-14 X 1-1/4", STAINLESS STEEL (GRADE B8, CLASS 2)	-82 (LS)	STAINLESS STEEL (GRADE B8, CLASS 2)	S01C438A25AE2A1	2-150-039-610-00
SCREW, CAP, HEX, 7/16"-14 X 2-1/2", STAINLESS STEEL	-24, -32, -55, -69, -82 (K, KK, L, LL, LS)	STAINLESS STEEL	S01C438B50CL0A1	2-154-008-375-00 or 2-154-008-375-00
SCREW, CAP, HEX, 5/8"-11 X 3/4", CARBON STEEL/ ZINC PLATED	-254, -423 (M, N)	CARBON STEEL/ZINC PLATED	S01C625750WA2A4	N/A
SCREW, CAP, HEX, 5/8"-11 X 1-1/2", CARBON STEEL/ ZINC PLATED	-133, -222 (Q, QS)	CARBON STEEL/ZINC PLATED	S01C625A50WA2A4	2-151-025-255-00
SCREW, CAP, HEX, 5/8"-11 X 1-1/2", STAINLESS STEEL (GRADE B8, CLASS 2)	-133, -222 (Q, QS)	STAINLESS STEEL (GRADE B8, CLASS 2)	S01C625A50AE2A1	2-151-025-610-00
SCREW, SET, HEX SOCKET, 1/4"-20 X 5/8", CARBON STEEL/BLACK OXIDE	-2, -4 (H, HL)	CARBON STEEL/BLACK OXIDE	S57U250625WA6L7	2-596-004-375-00
SCREW, SET, HEX SOCKET, 3/8"-16 X 1/2", CARBON STEEL/BLACK OXIDE	-24, -32, -55, -69, -82 (K, KK, L, LL, LS)	CARBON STEEL/BLACK OXIDE	S57U375500WA6L7	2-596-004-375-00
SCREW, SET, HEX SOCKET, 3/8"-16 X 3/4", CARBON STEEL/BLACK OXIDE	-133, -222 (Q, QS)	CARBON STEEL/BLACK OXIDE	S57U375750WA6L7	2-596-004-375-00
SCREW, SET, HEX SOCKET, 5/16"-18 X 5/16", CARBON STEEL/BLACK OXIDE	-2, -4, -24, -32, -55, -69, -82 (H, HL, K, KK, L, LL)	CARBON STEEL/BLACK OXIDE	S57U313313WA6L7	2-596-029-375-00 or 2-596-004-375-00
SEAL, COMP, 40X3, G1-2/4, CARBON/SIL CARBIDE/VITON	-2, -4 (H, HL)	CARBON/SIL CARBIDE/VITON	0020-8005-910	N/A
SEAL, COMP, 40X3, G1-24/32/55/69, CARBON/ SIL CARBIDE/VITON	-24, -32, -55, -69 (K, KK, L, LL)	CARBON/SIL CARBIDE/VITON	0240-8005-910	N/A
SEAL, MECH, TYPE 1, G1-2/4, CARBON/NI RESIST/BUNA-N	-2, -4 (H, HL)	CARBON/NI RESIST/BUNA-N	0020-8000-900	2-476-001-999-00
SEAL, MECH, TYPE 1, G1-2/4, CARBON/NI RESIST/VITON	-2, -4 (H, HL)	CARBON/NI RESIST/VITON	0020-8000-910	2-476-012-999-00
SEAL, MECH, TYPE 1, G1-24/32/55/69, CARBON/ NI RESIST/BUNA-N	-24, -32, -55, -69 (K, KK, L, LL)	CARBON/NI RESIST/BUNA-N	0240-8000-900	2-477-001-999-00
SEAL, MECH, TYPE 1, G1-24/32/55/69, CARBON/ NI RESIST/VITON	-24, -32, -55, -69 (K, KK, L, LL)	CARBON/NI RESIST/VITON	0240-8000-910	2-477-038-999-00
SEAL, MECH, TYPE 1, G1-82, CARBON/NI RESIST/VITON	-82 (LS)	CARBON/NI RESIST/VITON	0820-8000-910	2-478-046-999-00
SEAL, MECH, TYPE 1, G1-133/222, CARBON/NI RESIST/VITON	-133, -222 (Q, QS)	CARBON/NI RESIST/VITON	1330-8000-910	2-480-004-999-00
SEAL, MECH, TYPE 9, G1-2/4, CARBON/NI RESIST/PTFE	-2, -4 (H, HL)	CARBON/NI RESIST/PTFE	0020-8001-920	2-476-123-999-00 or 2-476-148-999-00
SEAL, MECH, TYPE 9, G1-2/4, CARBON/CERAMIC/PTFE	-2, -4 (H, HL)	CARBON/CERAMIC/PTFE	0020-8001-923	N/A
SEAL, MECH, TYPE 9, G1-2/4, SIL CARBIDE/SIL CARBIDE/PTFE	-2, -4 (H, HL)	SIL CARBIDE/SIL CARBIDE/PTFE	0020-8001-924	N/A
SEAL, MECH, TYPE 9, G1-24/32/55/69, CARBON/ NI RESIST/PTFE	-24, -32, -55, -69 (K, KK, L, LL)	CARBON/NI RESIST/PTFE	0240-8001-920	2-477-003-999-00 or 2-477-116-999-00 or 2-477-136-999-000
SEAL, MECH, TYPE 9, G1-24/32/55/69, CARBON/CERAMIC/PTFE	-24, -32, -55, -69 (K, KK, L, LL)	CARBON/CERAMIC/PTFE	0240-8001-923	N/A
SEAL, MECH, TYPE 9, G1-24/32/55/69, SIL CARBIDE/ SIL CARBIDE/PTFE	-24, -32, -55, -69 (K, KK, L, LL)	SIL CARBIDE/SIL CARBIDE/PTFE	0240-8001-924	N/A
SEAL, MECH, TYPE 9, G1-82, CARBON/NI RESIST/PTFE	-82 (LS)	CARBON/NI RESIST/PTFE	0820-8001-920	2-478-040-999-00 or 2-478-026-999-00
SEAL, MECH, TYPE 9, G1-82, CARBON/CERAMIC/PTFE	-82 (LS)	CARBON/CERAMIC/PTFE	0820-8001-923	N/A
SEAL, MECH, TYPE 9, G1-82, SIL CARBIDE/SIL CARBIDE/PTFE	-82 (LS)	SIL CARBIDE/SIL CARBIDE/PTFE	0820-8001-924	N/A

DESCRIPTION	MODELS - BLACKMER® (VIKING®)	MATERIAL	BLACKMER PN	VIKING® PN
SEAL, MECH, TYPE 9, G1-133/222, CARBON/NI RESIST/PTFE	-133, -222 (Q, QS)	CARBON/NI RESIST/PTFE	1330-8001-920	2-480-051-999-00 or 2-480-028-999-00
SEAL, MECH, TYPE 9, G1-133/222, CARBON/CERAMIC/PTFE	-133, -222 (Q, QS)	CARBON/CERAMIC/PTFE	1330-8001-923	N/A
SEAL, MECH, TYPE 9, G1-133/222, SIL CARBIDE/ SIL CARBIDE/PTFE	-133, -222 (Q, QS)	SIL CARBIDE/SIL CARBIDE/PTFE	1330-8001-924	N/A
SEAL, TRIPLE LIP SEAL, G1-2/4, SIL CARBIDE/CHEMRAZ/PTFE	-2, -4 (H, HL)	SIL CARBIDE/CHEMRAZ/PTFE	0020-8002-929	N/A
SEAL, TRIPLE LIP SEAL, G1-24/32/55/69, SIL CARBIDE/CHEMRAZ/PTFE	-24, -32, -55, -69 (K, KK, L, LL)	SIL CARBIDE/CHEMRAZ/PTFE	0240-8002-929	N/A
SEAL, TRIPLE LIP SEAL, V-55, SIL CARBIDE/AFLAS/PTFE	-55 (LQ)	SIL CARBIDE/AFLAS/PTFE	0550-8002-933	2-477-660-999
SEAL, TRIPLE LIP SEAL, V-55, SIL CARBIDE/CHEMRAZ/PTFE	-55 (LQ)	SIL CARBIDE/CHEMRAZ/PTFE	0550-8002-929	N/A
SEAL, TRIPLE LIP SEAL, G1-82, SIL CARBIDE/CHEMRAZ/PTFE	-82 (LS)	SIL CARBIDE/CHEMRAZ/PTFE	0820-8002-929	N/A
SEAL, TRIPLE LIP SEAL, G1-133/222, SIL CARBIDE/AFLAS/PTFE	-133, -222 (Q, QS)	SIL CARBIDE/AFLAS/PTFE	1330-8002-933	N/A
SEAL, TRIPLE LIP SEAL, G1-133/222, SIL CARBIDE/CHEMRAZ/PTFE	-133, -222 (Q, QS)	SIL CARBIDE/CHEMRAZ/PTFE	1330-8002-929	N/A
SEAL, TRIPLE LIP SEAL, V-133/254, SIL CARBIDE/AFLAS/PTFE	-133, -254 (Q, M)	SIL CARBIDE/AFLAS/PTFE	2540-8002-933	2-479-006-999
SEAL, TRIPLE LIP SEAL, V-133/254, SIL CARBIDE/CHEMRAZ/PTFE	-133, -254 (Q, M)	SIL CARBIDE/CHEMRAZ/PTFE	2540-8002-929	N/A
SEAL, TRIPLE LIP SEAL, V-423, SIL CARBIDE/AFLAS/PTFE	-423 (N)	SIL CARBIDE/AFLAS/PTFE	4230-8002-933	2-480-220-999
SEAL, TRIPLE LIP SEAL, V-423, SIL CARBIDE/CHEMRAZ/PTFE	-423 (N)	SIL CARBIDE/CHEMRAZ/PTFE	4230-8002-929	N/A
STUD, DOUBLE END, 3/8"-16 X 1-1/2", CARBON STEEL/ ZINC PLATED	-55, -133 (LQ, Q)	CARBON STEEL/ZINC PLATED	T09C375A50WA2A2	2-780-019-375-00
STUD, DOUBLE END, 7/16"-14 X 1-1/2", CARBON STEEL/ ZINC PLATED	-254, -423 (M, N)	CARBON STEEL/ZINC PLATED	T09C438A50WA2A2	2-781-004-375-00
STUD, DOUBLE END, 7/16"-14 X 2-1/4", CARBON STEEL/ ZINC PLATED	-55 (LQ)	CARBON STEEL/ZINC PLATED	T09C438B25WA2A2	2-781-008-375-00
STUD, DOUBLE END, 7-16"-14 X 1-3/4", CARBON STEEL/ ZINC PLATED	-55 (LQ)	CARBON STEEL/ZINC PLATED	T09C438A75WA2A2	2-781-004-375-00
STUD, DOUBLE END, 5/8"-11 X 2-1/4", CARBON STEEL/ ZINC PLATED	-55, -133, -254 (LQ, Q, M)	CARBON STEEL/ZINC PLATED	T09C625B25WA2A2	2-782-007-255-00
STUD, DOUBLE END, 5/8"-11 X 2-1/2", CARBON STEEL/ ZINC PLATED	-133, -222 (Q, QS)	CARBON STEEL/ZINC PLATED	T09C625B50WA2A2	2-782-007-255-00
STUD, DOUBLE END, 5/8"-11 X 2-1/2", STAINLESS STEEL (GRADE B8, CLASS 2)	-133, -222 (Q, QS)	STAINLESS STEEL (GRADE B8, CLASS 2)	T09C625B50AE2A1	2-782-007-610-00
STUD, DOUBLE END, 5/8"-11 X 2-3/4", CARBON STEEL/ ZINC PLATED	-133, -254 (Q, M)	CARBON STEEL/ZINC PLATED	T09C625B75WA2A2	2-782-008-255-00
STUD, DOUBLE END, 5/8"-11 X 3", CARBON STEEL/ ZINC PLATED	-133, -254 (Q, M)	CARBON STEEL/ZINC PLATED	T09C625C00WA2A2	2-782-010-375-00
STUD, DOUBLE END, 3/4"-10 X 3", CARBON STEEL/ ZINC PLATED	-423 (N)	CARBON STEEL/ZINC PLATED	T09C750C00WA2A2	2-782-017-255-00
VALVE, ADJ SCREW, G1-2/4, CARBON STEEL	-2, -4 (H, HL)	CARBON STEEL	0020-7700-230	2-595-004-376-00
VALVE, ADJ SCREW, G1-2/4, STAINLESS STEEL	-2, -4 (H, HL)	STAINLESS STEEL	0020-7700-255	2-595-004-610-00
VALVE, ADJ SCREW, G1-24/32/55/69/82, CARBON STEEL	-24, -32, -55, -69, -82 (K, KK, L, LL, LS)	CARBON STEEL	0240-7700-230	2-595-006-376-00
VALVE, ADJ SCREW, G1-24/32/55/69/82, STAINLESS STEEL	-24, -32, -55, -69, -82 (K, KK, L, LL, LS)	STAINLESS STEEL	0240-7700-255	2-595-006-610-00
VALVE, ADJ SCREW, G1-133/222, STAINLESS STEEL	-133, -222 (Q, QS)	STAINLESS STEEL	1330-7700-255	2-595-008-376-00
VALVE, ASM, G1-2/4, 75 PSI, CAST IRON	-2, -4 (H, HL)	CAST IRON	0020-7001-110	3-795-228-000-03
VALVE, ASM, G1-2/4, 125 PSI, CAST IRON	-2, -4 (H, HL)	CAST IRON	0020-7002-110	3-795-228-000-04
VALVE, ASM, G1-2/4, 200 PSI, CAST IRON	-2, -4 (H, HL)	CAST IRON	0020-7003-110	3-795-228-000-08

DESCRIPTION	MODELS - BLACKMER® (VIKING®)	MATERIAL	BLACKMER PN	VIKING® PN
VALVE, ASM, G1-2/4, 75 PSI, CARBON STEEL	-2, -4 (H, HL)	CARBON STEEL	0020-7001-130	3-795-228-000-03
VALVE, ASM, G1-2/4, 125 PSI, CARBON STEEL	-2, -4 (H, HL)	CARBON STEEL	0020-7002-130	3-795-228-000-04
VALVE, ASM, G1-2/4, 200 PSI, CARBON STEEL	-2, -4 (H, HL)	CARBON STEEL	0020-7003-130	3-795-228-000-08
VALVE, ASM, G1-2/4, 75 PSI, STAINLESS STEEL	-2, -4 (H, HL)	STAINLESS STEEL	0020-7001-150	3-795-202-000-06
VALVE, ASM, G1-2/4, 125 PSI, STAINLESS STEEL	-2, -4 (H, HL)	STAINLESS STEEL	0020-7002-150	3-795-202-000-07
VALVE, ASM, G1-2/4, 150 PSI, STAINLESS STEEL	-2, -4 (H, HL)	STAINLESS STEEL	0020-7003-150	3-795-202-000-15
VALVE, ASM, G1-24/32, 50 PSI, CAST IRON	-24, -32 (K, KK)	CAST IRON	0240-7001-110	3-795-506-000-02
VALVE, ASM, G1-24/32, 80 PSI, CAST IRON	-24, -32 (K, KK)	CAST IRON	0240-7002-110	3-795-506-000-18
VALVE, ASM, G1-24/32, 150 PSI, CAST IRON	-24, -32 (K, KK)	CAST IRON	0240-7003-110	3-795-506-000-19
VALVE, ASM, G1-24/32, 200 PSI, CAST IRON	-24, -32 (K, KK)	CAST IRON	0240-7004-110	3-795-506-000-37
VALVE, ASM, G1-24/32, 50 PSI, CARBON STEEL	-24, -32 (K, KK)	CARBON STEEL	0240-7001-130	3-795-524-000-02
VALVE, ASM, G1-24/32, 80 PSI, CARBON STEEL	-24, -32 (K, KK)	CARBON STEEL	0240-7002-130	3-795-524-000-18
VALVE, ASM, G1-24/32, 150 PSI, CARBON STEEL	-24, -32 (K, KK)	CARBON STEEL	0240-7003-130	3-795-524-000-19
VALVE, ASM, G1-24/32, 200 PSI, CARBON STEEL	-24, -32 (K, KK)	CARBON STEEL	0240-7004-130	3-795-524-000-37
VALVE, ASM, G1-24/32, 50 PSI, STAINLESS STEEL	-24, -32 (K, KK)	STAINLESS STEEL	0240-7001-150	3-795-502-000-02
VALVE, ASM, G1-24/32, 80 PSI, STAINLESS STEEL	-24, -32 (K, KK)	STAINLESS STEEL	0240-7002-150	3-795-502-000-18
VALVE, ASM, G1-24/32, 150 PSI, STAINLESS STEEL	-24, -32 (K, KK)	STAINLESS STEEL	0240-7003-150	3-795-502-000-19
VALVE, ASM, G1-55/69/82, V-55, 60 PSI, CAST IRON	-55, -69, -82 (L, LL, LS)	CAST IRON	0550-7001-110	3-795-705-000-02
VALVE, ASM, G1-55/69/82, V-55, 90 PSI, CAST IRON	-55, -69, -82 (L, LL, LS)	CAST IRON	0550-7002-110	3-795-705-000-18
VALVE, ASM, G1-55/69/82, V-55, 160 PSI, CAST IRON	-55, -69, -82 (L, LL, LS)	CAST IRON	0550-7003-110	3-795-705-000-19
VALVE, ASM, G1-55/69/82, 200 PSI, CAST IRON	-55, -69, -82 (L, LL, LS)	CAST IRON	0550-7004-110	3-795-705-000-37
VALVE, ASM, JACKETED, G1-55/69/82, V-55, 60 PSI, CAST IRON	-55, -69, -82 (L, LQ, LL, LS)	CAST IRON	0550-7031-110	3-795-703-000-02
VALVE, ASM, JACKETED, G1-55/69/82, V-55, 90 PSI, CAST IRON	-55, -69, -82 (L, LQ, LL, LS)	CAST IRON	0550-7032-110	3-795-703-000-18
VALVE, ASM, JACKETED, G1-55/69/82, V-55, 160 PSI, CAST IRON	-55, -69, -82 (L, LQ, LL, LS)	CAST IRON	0550-7033-110	3-795-703-000-19
VALVE, ASM, JACKETED, G1-55/69/82, 200 PSI, CAST IRON	-55, -69, -82 (L, LQ, LL, LS)	CAST IRON	0550-7034-110	3-795-703-000-37
VALVE, ASM, G1-55/69/82, 60 PSI, CARBON STEEL	-55, -69, -82 (L, LL, LS)	CARBON STEEL	0550-7001-130	3-795-718-000-02 or 3-795-742-000-02
VALVE, ASM, G1-55/69/82, 90 PSI, CARBON STEEL	-55, -69, -82 (L, LL, LS)	CARBON STEEL	0550-7002-130	3-795-718-000-18 or 3-795-742-000-18
VALVE, ASM, G1-55/69/82, 160 PSI, CARBON STEEL	-55, -69, -82 (L, LL, LS)	CARBON STEEL	0550-7003-130	3-795-718-000-19 or 3-795-742-000-19
VALVE, ASM, G1-55/69/82, 200 PSI, CARBON STEEL	-55, -69, -82 (L, LL, LS)	CARBON STEEL	0550-7004-130	3-795-718-000-37
VALVE, ASM, G1-55/69/82, 60 PSI, STAINLESS STEEL	-55, -69, -82 (L, LL, LS)	STAINLESS STEEL	0550-7001-150	3-795-702-000-02
VALVE, ASM, G1-55/69/82, 90 PSI, STAINLESS STEEL	-55, -69, -82 (L, LL, LS)	STAINLESS STEEL	0550-7002-150	3-795-702-000-18
VALVE, ASM, G1-55/69/82, 150 PSI, STAINLESS STEEL	-55, -69, -82 (L, LL, LS)	STAINLESS STEEL	0550-7003-150	3-795-702-000-19
VALVE, ASM, G1-133/222, V-133, 50 PSI, CAST IRON	-133, -222 (Q, QS)	CAST IRON	1330-7001-110	3-795-828-000-14
VALVE, ASM, G1-133/222, V-133, 80 PSI, CAST IRON	-133, -222 (Q, QS)	CAST IRON	1330-7002-110	3-795-828-000-15
VALVE, ASM, G1-133/222, V-133, 130 PSI, CAST IRON	-133, -222 (Q, QS)	CAST IRON	1330-7003-110	3-795-828-000-29
VALVE, ASM, G1-133/222, 200 PSI, CAST IRON	-133, -222 (Q, QS)	CAST IRON	1330-7004-110	3-795-828-000-45
VALVE, ASM, JACKETED, G1-133/222, V-133, 50 PSI, CAST IRON	-133, -222 (Q, QS)	CAST IRON	1330-7031-110	3-795-826-000-14
VALVE, ASM, JACKETED, G1-133/222, V-133, 80 PSI, CAST IRON	-133, -222 (Q, QS)	CAST IRON	1330-7032-110	3-795-826-000-15
VALVE, ASM, JACKETED, G1-133/222, V-133, 130 PSI, CAST IRON	-133, -222 (Q, QS)	CAST IRON	1330-7033-110	3-795-826-000-29

DESCRIPTION	MODELS - BLACKMER® (VIKING®)	MATERIAL	BLACKMER PN	VIKING® PN
VALVE, ASM, JACKETED, G1-133/222, 200 PSI, CAST IRON	-133, -222 (Q, QS)	CAST IRON	1330-7034-110	3-795-826-000-45
VALVE, ASM, G1-133/222, 50 PSI, CARBON STEEL	-133, -222 (Q, QS)	CARBON STEEL	1330-7001-130	3-795-832-000-14
VALVE, ASM, G1-133/222, 80 PSI, CARBON STEEL	-133, -222 (Q, QS)	CARBON STEEL	1330-7002-130	3-795-832-000-15
VALVE, ASM, G1-133/222, 130 PSI, CARBON STEEL	-133, -222 (Q, QS)	CARBON STEEL	1330-7003-130	3-795-832-000-29
VALVE, ASM, G1-133/222, 200 PSI, CARBON STEEL	-133, -222 (Q, QS)	CARBON STEEL	1330-7004-130	3-795-832-000-45
VALVE, ASM, G1-133/222, 50 PSI, STAINLESS STEEL	-133, -222 (Q, QS)	STAINLESS STEEL	1330-7001-150	3-795-830-000-14
VALVE, ASM, G1-133/222, 80 PSI, STAINLESS STEEL	-133, -222 (Q, QS)	STAINLESS STEEL	1330-7002-150	3-795-830-000-15
VALVE, ASM, G1-133/222, 150 PSI, STAINLESS STEEL	-133, -222 (Q, QS)	STAINLESS STEEL	1330-7004-150	3-795-830-000-29
VALVE, ASM, JACKETED, V-254, 140 PSI, CAST IRON	-254 (M)	CAST IRON	2540-7033-110	3-795-876-000-29
VALVE, ASM, JACKETED, V-254/423, 100/125 PSI, CAST IRON	-254, -423 (M, N)	CAST IRON	2540-7032-110	3-795-876-000-15
VALVE, ASM, JACKETED, V-254/423, 60/70 PSI, CAST IRON	-254, -423 (M, N)	CAST IRON	2540-7031-110	3-795-876-000-14
VALVE, ASM, V-254, 140 PSI, CAST IRON	-254 (M)	CAST IRON	2540-7003-110	3-795-877-000-29
VALVE, ASM, V-254/423, 100/125 PSI, CAST IRON	-254, -423 (M, N)	CAST IRON	2540-7002-110	3-795-877-000-15
VALVE, ASM, V-254/423, 60/70 PSI, CAST IRON	-254, -423 (M, N)	CAST IRON	2540-7001-110	3-795-877-000-14
VALVE, BODY, G1-2/4, CAST IRON	-2, -4 (H, HL)	CAST IRON	0020-7100-110	2-795-005-100-00
VALVE, BODY, G1-2/4, CARBON STEEL	-2, -4 (H, HL)	CARBON STEEL	0020-7100-130	2-795-005-271-00
VALVE, BODY, G1-2/4, STAINLESS STEEL	-2, -4 (H, HL)	STAINLESS STEEL	0020-7100-150	2-795-001-630-00
VALVE, BODY, G1-24/32, CAST IRON	-24, -32 (K, KK)	CAST IRON	0240-7100-110	2-795-006-100-00
VALVE, BODY, G1-24/32, CARBON STEEL	-24, -32 (K, KK)	CARBON STEEL	0240-7100-130	2-795-014-271-00
VALVE, BODY, G1-24/32, STAINLESS STEEL	-24, -32 (K, KK)	STAINLESS STEEL	0240-7100-150	2-795-014-630-00
VALVE, BODY, G1-55/69/82, V-55, CAST IRON	-55, -69, -82 (L, LQ, LL, LS)	CAST IRON	0550-7100-110	2-795-008-100-00
VALVE, BODY, JACKETED, G1-55/69/82, V-55, CAST IRON	-55, -69, -82 (L, LQ, LL, LS)	CAST IRON	0550-7130-110	2-795-039-100-00
VALVE, BODY, G1-55/69/82, CARBON STEEL	-55, -69, -82 (L, LL, LS)	CARBON STEEL	0550-7100-130	2-795-015-271
VALVE, BODY, G1-55/69/82, STAINLESS STEEL	-55, -69, -82 (L, LL, LS)	STAINLESS STEEL	0550-7100-150	2-795-015-630-00
VALVE, BODY, G1-133/222, V-133, CAST IRON	-133, -222 (Q, QS)	CAST IRON	1330-7100-110	2-795-026-100-00
VALVE, BODY, JACKETED, G1-133/222, V-133, CAST IRON	-133, -222 (Q, QS)	CAST IRON	1330-7130-110	2-795-027-100-00
VALVE, BODY, G1-133/222, CARBON STEEL	-133, -222 (Q, QS)	CARBON STEEL	1330-7100-130	2-795-034-271-00
VALVE, BODY, G1-133/222, STAINLESS STEEL	-133, -222 (Q, QS)	STAINLESS STEEL	1330-7100-150	N/A
VALVE, BODY, V-254/423, CAST IRON	-254, -423 (M, N)	CAST IRON	2540-7100-110	2-795-028-100-00
VALVE, BODY, JACKETED, V-254/423, CAST IRON	-254, -423 (M, N)	CAST IRON	2540-7130-110	2-795-029-100-00
VALVE, BONNET, G1-2/4, CAST IRON	-2, -4 (H, HL)	CAST IRON	0020-7200-110	2-797-003-100-00
VALVE, BONNET, G1-2/4, CARBON STEEL	-2, -4 (H, HL)	CARBON STEEL	0020-7200-130	2-797-003-271-00
VALVE, BONNET, G1-2/4, STAINLESS STEEL	-2, -4 (H, HL)	STAINLESS STEEL	0020-7200-150	2-797-002-630-00
VALVE, BONNET, G1-24/32/55/69/82, V-55, CAST IRON	-24, -32, -55, -69, -82 (K, KK, L, LL, LS)	CAST IRON	0240-7200-110	2-797-024-100-00
VALVE, BONNET, G1-24/32/55/69/82, CARBON STEEL	-24, -32, -55, -69, -82 (K, KK, L, LL, LS)	CARBON STEEL	0240-7200-130	2-797-024-271-00
VALVE, BONNET, G1-24/32/55/69/82, STAINLESS STEEL	-24, -32, -55, -69, -82 (K, KK, L, LL, LS)	STAINLESS STEEL	0240-7200-150	2-797-024-630-00
VALVE, BONNET, G1-133/222, V-133/254/423, CAST IRON	-133, -222, -254, -423 (Q, QS, M, N)	CAST IRON	1330-7200-110	2-797-010-100-00
VALVE, BONNET, G1-133/222, CARBON STEEL	-133, -222 (Q, QS)	CARBON STEEL	1330-7200-130	2-797-010-271-00
VALVE, BONNET, G1-133/222, STAINLESS STEEL	-133, -222 (Q, QS)	STAINLESS STEEL	1330-7200-150	N/A
VALVE, CAP, G1-2/4, CARBON STEEL	-2, -4 (H, HL)	CARBON STEEL	0020-7300-230	2-798-004-376-00

DESCRIPTION	MODELS - BLACKMER® (VIKING®)	MATERIAL	BLACKMER PN	VIKING® PN
VALVE, CAP, G1-2/4, STAINLESS STEEL	-2, -4 (H, HL)	STAINLESS STEEL	0020-7300-250	2-798-004-610-00
VALVE, CAP, G1-24/32/55/69/82, V-55, CAST IRON	-24, -32, -55, -69, -82 (K, KK, L, LL, LS)	CAST IRON	0240-7300-110	2-798-022-100-00
VALVE, CAP, G1-24/32/55/69/82, STAINLESS STEEL	-24, -32, -55, -69, -82 (K, KK, L, LL, LS)	STAINLESS STEEL	0240-7300-150	2-798-022-630-00
VALVE, CAP, G1-133/222, V-133/254/423, CAST IRON	-133, -222, -254, -423 (Q, QS, M, N)	CAST IRON	1330-7300-110	2-798-011-100-00
VALVE, CAP, G1-133/222, STAINLESS STEEL	-133, -222 (Q, QS)	STAINLESS STEEL	1330-7300-150	2-798-011-271-00
VALVE, COVER ASM, G1-2/4, STAINLESS STEEL/CARBON STEEL	-2, -4 (H, HL)	STAINLESS STEEL/CARBON STEEL	0020-7000-230	2-294-202-100-00
VALVE, COVER ASM, G1-2/4, STAINLESS STEEL/ STAINLESS STEEL	-2, -4 (H, HL)	STAINLESS STEEL/STAINLESS STEEL	0020-7000-250	N/A
VALVE, COVER ASM, G1-24/32, STAINLESS STEEL/ CARBON STEEL	-24, -32 (K, KK)	STAINLESS STEEL/CARBON STEEL	0240-7000-230	2-294-203-100-00 or 2-294-20-271-00
VALVE, COVER ASM, G1-24/32, STAINLESS STEEL/ STAINLESS STEEL	-24, -32 (K, KK)	STAINLESS STEEL/STAINLESS STEEL	0240-7000-250	N/A
VALVE, COVER ASM, G1-55/69/82, V-55, STAINLESS STEEL/ CARBON STEEL	-55, -69, -82 (L, LQ, LL, LS)	STAINLESS STEEL/CARBON STEEL	0550-7000-230	2-294-205-100-00 or 2-294-205-260-00
VALVE, COVER ASM, G1-55/69/82, STAINLESS STEEL/ STAINLESS STEEL	-55, -69, -82 (L, LQ, LL, LS)	STAINLESS STEEL/STAINLESS STEEL	0550-7000-250	2-294-205-630-00
VALVE, COVER ASM, G1-133/222, V-133, STAINLESS STEEL/ CARBON STEEL	-133, -222 (Q, QS)	STAINLESS STEEL/CARBON STEEL	1330-7000-230	2-294-206-100-00 or 2-294-206-250-00
VALVE, COVER ASM, G1-133/222, STAINLESS STEEL/ STAINLESS STEEL	-133, -222 (Q, QS)	STAINLESS STEEL/STAINLESS STEEL	1330-7000-250	2-294-206-630-00
VALVE, COVER ASM, V-254/423, CARBON STEEL/ CARBON STEEL	-254, -423 (M, N)	STAINLESS STEEL/CARBON STEEL	2540-7000-230	2-294-207-100-00 or 2-294-207-250-00
VALVE, LOCK NUT, G1-2/4, CARBON STEEL	-2, -4 (H, HL)	CARBON STEEL	0020-7710-230	2-503-004-376-00
VALVE, LOCK NUT, G1-2/4, STAINLESS STEEL	-2, -4 (H, HL)	STAINLESS STEEL	0020-7710-255	2-503-004-610-00
VALVE, LOCK NUT, G1-24/32/55/69/82, V-55, CARBON STEEL	-24, -32, -55, -69, -82 (K, KK, L, LL, LS)	CARBON STEEL	0240-7710-230	2-503-006-376-00
VALVE, LOCK NUT, G1-24/32/55/69/82, STAINLESS STEEL	-24, -32, -55, -69, -82 (K, KK, L, LL, LS)	STAINLESS STEEL	0240-7710-255	2-503-006-610-00
VALVE, LOCK NUT, G1-133/222, V-133/254/423, STAINLESS STEEL	-133, -222, -254, -423 (Q, QS, M, N)	STAINLESS STEEL	1330-7710-255	2-503-011-375-00
VALVE, POPPET, G1-2/4, CAST IRON	-2, -4 (H, HL)	CAST IRON	0020-7400-110	2-796-004-150-00
VALVE, POPPET, G1-2/4, STAINLESS STEEL	-2, -4 (H, HL)	STAINLESS STEEL	0020-7400-150	2-796-004-630-00
VALVE, POPPET, G1-24/32/55/69/82, V-55, CAST IRON	-24, -32, -55, -69, -82 (K, KK, L, LL, LS)	CAST IRON	0240-7400-110	2-796-026-150-00
VALVE, POPPET, G1-24/32/55/69/82, STAINLESS STEEL	-24, -32, -55, -69, -82 (K, KK, L, LL, LS)	STAINLESS STEEL	0240-7400-150	2-796-026-630-00
VALVE, POPPET, G1-133/222, V-133/254/423, CAST IRON	-133, -222, -254, -423 (Q, QS, M, N)	CAST IRON	1330-7400-110	2-796-025-100-00
VALVE, POPPET, G1-133/222, STAINLESS STEEL	-133, -222 (Q, QS)	STAINLESS STEEL	1330-7400-150	N/A
VALVE, SPRING GUIDE, G1-2/4, CARBON STEEL	-2, -4 (H, HL)	CARBON STEEL	0020-7500-230	2-799-007-375-00
VALVE, SPRING GUIDE, G1-2/4, STAINLESS STEEL	-2, -4 (H, HL)	STAINLESS STEEL	0020-7500-250	2-799-007-630-00
VALVE, SPRING GUIDE, G1-24/32/55/69/82, V-55, CARBON STEEL	-24, -32, -55, -69, -82 (K, KK, L, LL, LS)	CARBON STEEL	0240-7500-230	2-799-043-375-00
VALVE, SPRING GUIDE, G1-24/32/55/69/82, STAINLESS STEEL	-24, -32, -55, -69, -82 (K, KK, L, LL, LS)	STAINLESS STEEL	0240-7500-250	2-799-043-630-00

DESCRIPTION	MODELS - BLACKMER® (VIKING®)	MATERIAL	BLACKMER PN	VIKING® PN
VALVE, SPRING GUIDE, G1-133/222, V-133/254/423, STAINLESS STEEL	-133, -222, -254, -423 (Q, QS, M, N)	STAINLESS STEEL	1330-7500-250	2-799-042-271-00 or 2-799-042-100-00
VALVE, SPRING, G1-2/4 (75 PSI)	-2, -4 (H, HL)	STAINLESS STEEL	0020-7600-250	2-761-006-610-00 or 2-761-003-371-00
VALVE, SPRING, G1-2/4 (125 PSI)	-2, -4 (H, HL)	STAINLESS STEEL	0020-7601-250	2-761-007-610-00 or 2-761-004-371-00
VALVE, SPRING, G1-2/4 (200 PSI)	-2, -4 (H, HL)	STAINLESS STEEL	0020-7602-250	2-761-015-610-00
VALVE, SPRING, G1-24/32 (50 PSI), G1-55/69/82 (60 PSI)	-24, -32, -55, -69, -82 (K, KK, L, LL, LS)	STAINLESS STEEL	0240-7600-250	2-763-002-610-00
VALVE, SPRING, G1-24/32 (80/200 PSI), G1-55/69/82 (90/200 PSI)	-24, -32, -55, -69, -82 (K, KK, L, LL, LS)	STAINLESS STEEL	0240-7601-250	2-763-018-610-00
VALVE, SPRING, G1-24/32 (150/200 PSI), G1-55/69/82 (90/150/160/200 PSI)	-24, -32, -55, -69, -82 (K, KK, L, LL, LS)	STAINLESS STEEL	0240-7602-250	2-763-019-610-00
VALVE, SPRING, G1-133/222 (50/130/150/200 PSI)	-133, -222 (Q, QS)	STAINLESS STEEL	1330-7600-250	2-764-014-610-00
VALVE, SPRING, G1-133/222 (80/130/150/200 PSI)	-133, -222 (Q, QS)	STAINLESS STEEL	1330-7601-250	2-764-015-610-00
VALVE, SPRING, G1-133/222 (150/200 PSI)	-133, -222 (Q, QS)	STAINLESS STEEL	1330-7602-250	2-764-016-610-00
WASHER, PACKING RETAINING, G1-2/4, STAINLESS STEEL	-2, -4 (H, HL)	STAINLESS STEEL	0020-8150-250	2-805-017-375-00 or 2-805-102-610-00
WASHER, PACKING RETAINING, G1-24/32/55/69, STAINLESS STEEL	-24, -32, -55, -69 (K, KK, L, LL)	STAINLESS STEEL	0240-8150-250	2-805-103-610-00
WASHER, PACKING RETAINING, V-55, CARBON STEEL	-55 (LQ)	CARBON STEEL	0550-8150-230	2-805-026-375-00
WASHER, PACKING RETAINING, G1-82, STAINLESS STEEL	-82 (LS)	STAINLESS STEEL	0820-8150-250	2-805-069-375-00 or 2-805-069-630-00
WASHER, PACKING RETAINING, G1-133/222, STAINLESS STEEL	-133, -222 (Q, QS)	STAINLESS STEEL	1330-8150-250	2-805-034-210-00 or 2-805-034-630-00
WASHER, PACKING RETAINING, V-133/254, CARBON STEEL	-133, -254 (Q, M)	CARBON STEEL	2540-8150-230	2-805-033-210-00

VIKING IS A REGISTERED TRADEMARK OF VIKING PUMP, INC.

PSG Grand Rapids
1809 Century Avenue SW
Grand Rapids, MI 49503 USA
P: +1 (616) 241-1611 • F: +1 (616) 241-3752
info@blackmer.com
blackmer.com



Where Innovation Flows

PSG® reserves the right to modify the information and illustrations contained in this document without prior notice. This is a non-contractual document. 05-2018