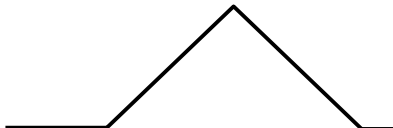
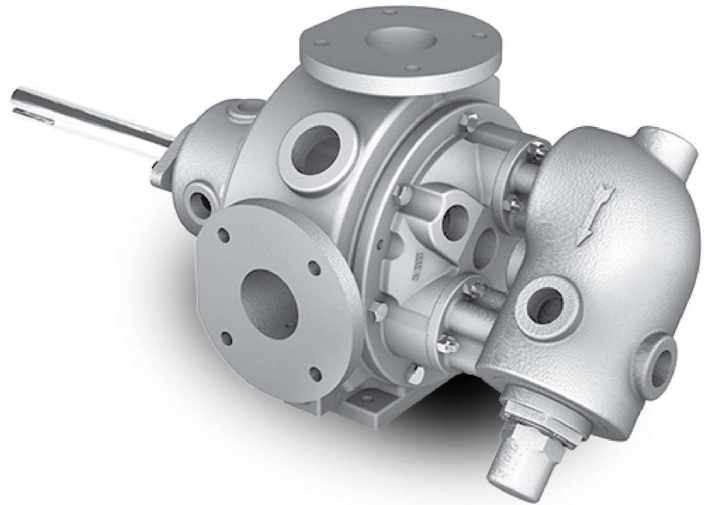
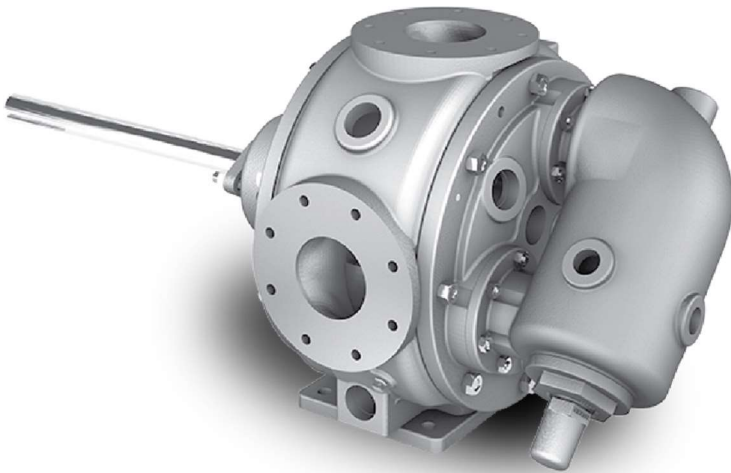


COMPETITIVE DIMENSIONAL COMPARISON

V Series Internal Gear Pumps



Blackmer



Where Innovation Flows



1903-005

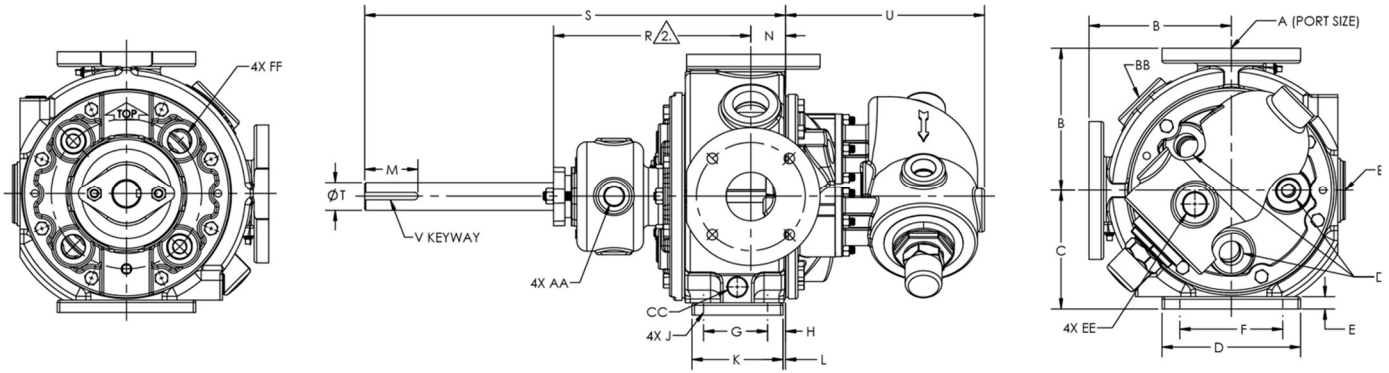
Always read the most current version of this manual before performing any work on or around this pump. The most current version of this manual is freely available on the web at www.blackmer.com

Blackmer pumps are specifically configured for your unique application conditions. Those application conditions and the details of the pump configuration were documented during the ordering process. Keep that information available in a safe place, as it may be needed when troubleshooting pump problems or when ordering spare parts or repairs.

Blackmer Gear Pumps are covered by one or more of the following patents: U.S. Patent Nos. 7549205, 7137793, 7183683, 8,608,465B2 Australian Patent No. AU2005233534B2; Korean Patent No. 10-2006-7023162; Mexican Patent No. PA/2006/011436, Russian Patent No. 2006138540(041952); China Patent No. ZL 201280031563.6; and other patents pending.

Dimensional Comparison of V Series and Viking Pumps

V Series Model:	V2-55
Viking Model:	"LQ"
Ideal Flowrate:	0.238 gallons per rev



Pumps With 2 1/2" ANSI Flanged Ports

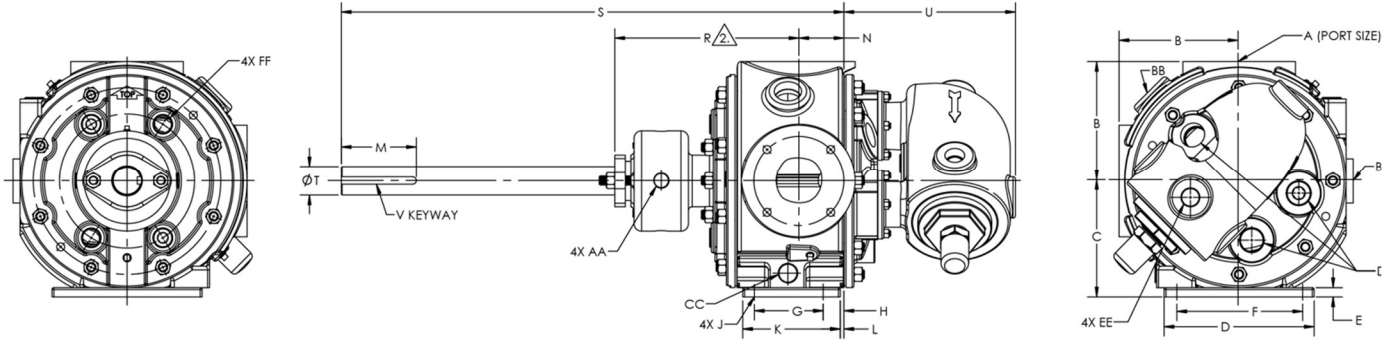
DIM	V SERIES VALUE	VIKING VALUE	
		LQ34	LQ230
A	2-1/2" ANSI	✓	3"
B	7.19	✓	✓
C	6.00	✓	✓
D	7.00	✓	✓
E	0.62	✓	0.50
F	5.75	✓	✓
G	3.00	✓	✓
H	1.00	✓	✓
J	0.47	✓	✓
K	4.60	✓	✓
L	0.12	✓	✓
M	3.00	✓	2.00
N	1.75	✓	2.00
R	11.62	✓	10.88
S	21.25	✓	23.63
T	1.44	✓	✓
U*	8.50	7.88	7.00
V	.38 X .19	✓	✓
AA	3/4" NPT	✓	1/2" NPT
BB	1-1/2" NPT	✓	✓
CC	3/4" NPT	✓	NA
DD	1" NPT	✓	1/2" NPT
EE	1" NPT	✓	✓
FF	1" NPT	NA	NA

*MEASUREMENT IS FOR A PUMP WITH NON-JACKETED HEAD WITH JACKETED PRV

DIMENSIONAL COMPARISON

Dimensional Comparison of V Series and Viking Pumps

V Series Model:	V2-133
Viking Model:	“Q”
Ideal Flowrate:	0.655 gallons per rev



Pumps with 3" ANSI flanged ports

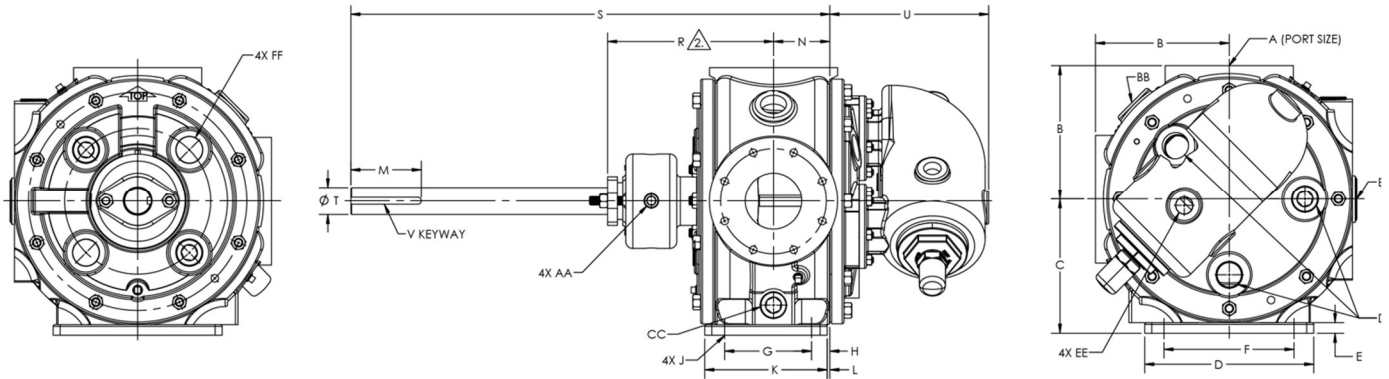
Dim	V Series Value	Viking Value	
		Q34	Q230
A	3" ANSI	✓	4"
B	8.00	✓	8.88
C	7.75	✓	✓
D	10.00	✓	✓
E	0.62	✓	✓
F	8.25	✓	✓
G	4.25	✓	✓
H	1.62	✓	✓
J	0.75	✓	0.66
K	6.50	✓	✓
L	0.25	✓	✓
M	5.00	✓	3.00
N	3.00	✓	✓
R	13.88	✓	14.00
S	33.50	✓	34.00
T	1.94	✓	✓
U*	10.52	✓	10.63
V	.50 X .25	✓	✓
AA	3/4" NPT	✓	1" NPT
BB	1-1/2" NPT	✓	✓
CC	1" NPT	✓	NA
DD	1-1/4" NPT	✓	1" NPT
EE	1" NPT	✓	✓
FF	1" NPT	NA	NA

*MEASUREMENT IS FOR A PUMP WITH NON-JACKETED HEAD WITH JACKETED PRV

DIMENSIONAL COMPARISON

Dimensional Comparison of V Series and Viking Pumps

V Series Model:	V2-254
Viking Model:	"M"
Ideal Flowrate:	1.024 gallons per rev



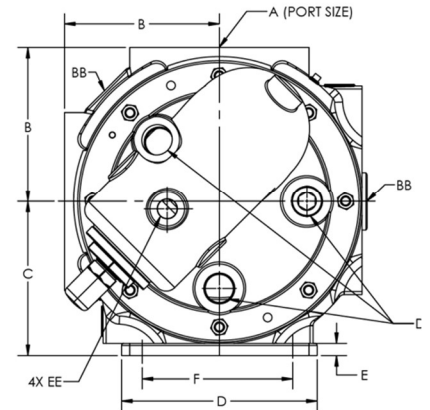
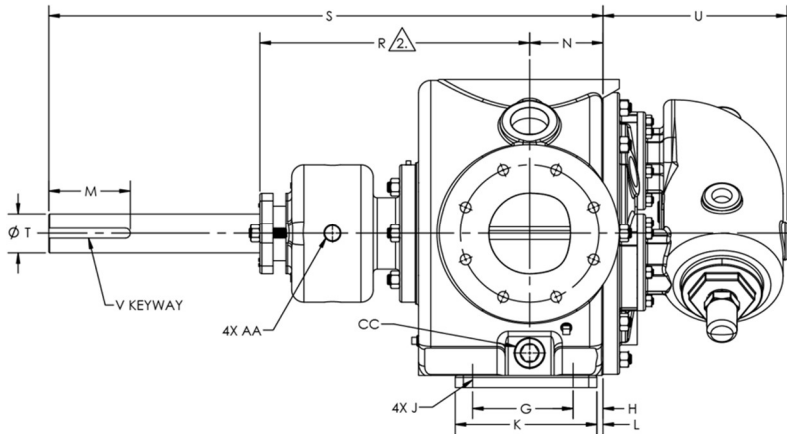
Pumps with 4" ANSI flagged ports

Dim	V Series Value	Viking Value	
		M34	M230
A	4" ANSI	✓	5"
B	9.50	✓	10.00
C	9.50	✓	✓
D	12.00	✓	✓
E	0.75	✓	✓
F	10.00	✓	✓
G	6.25	✓	✓
H	1.44	✓	1.63
J	0.75	✓	0.66
K	8.69	✓	8.50
L	0.19	✓	✓
M	5.00	✓	3.00
N	4.00	✓	4.50
R	13.38	✓	13.00
S	34.00	✓	29.00
T	1.94	✓	✓
U*	10.25	✓	10.38
V	.50 X .25	✓	✓
AA	3/4" NPT	✓	1" NPT
BB	1-1/2" NPT	✓	2" NPT
CC	1-1/2" NPT	✓	✓
DD	1-1/2" NPT	✓	1-1/4" NPT
EE	1" NPT	✓	✓
FF	1-1/2" NPT	NA	NA

*MEASUREMENT IS FOR A PUMP WITH NON-JACKETED HEAD WITH JACKETED PRV

Dimensional Comparison of V Series and Viking Pumps

V Series Model:	V2-423
Viking Model:	"N"
Ideal Flowrate:	1.780 gallons per rev



Pumps with 5" ANSI flanged ports

Dim	V Series Value	Viking Value	
		N34	N230
A	5" ANSI	✓	✓
B	9.50	✓	10.00
C	9.50	✓	✓
D	12.00	✓	✓
E	0.75	✓	✓
F	10.00	✓	✓
G	6.25	✓	✓
H	1.62	✓	✓
J	0.75	✓	0.66
K	8.69	8.50	8.50
L	0.38	0.19	✓
M	5.00	✓	3.00
N	4.50	✓	✓
R	18.12	✓	19.00
S	34.00	✓	33.00
T	2.44	✓	✓
U*	10.25	✓	10.38
V	.62 X .31	✓	✓
AA	3/4" NPT	✓	1-1/4" NPT
BB	2" NPT	✓	✓
CC	1-1/2" NPT	✓	✓
DD	1-1/2" NPT	✓	1-1/4" NPT
EE	1" NPT	✓	✓

PSG Grand Rapids
1809 Century Avenue SW
Grand Rapids, MI 49503 USA
P: +1 (616) 241-1611 • F: +1 (616) 241-3752
info@blackmer.com
blackmer.com



Where Innovation Flows

PSG® reserves the right to modify the information and illustrations contained in this document without prior notice. This is a non-contractual document. 05-2018