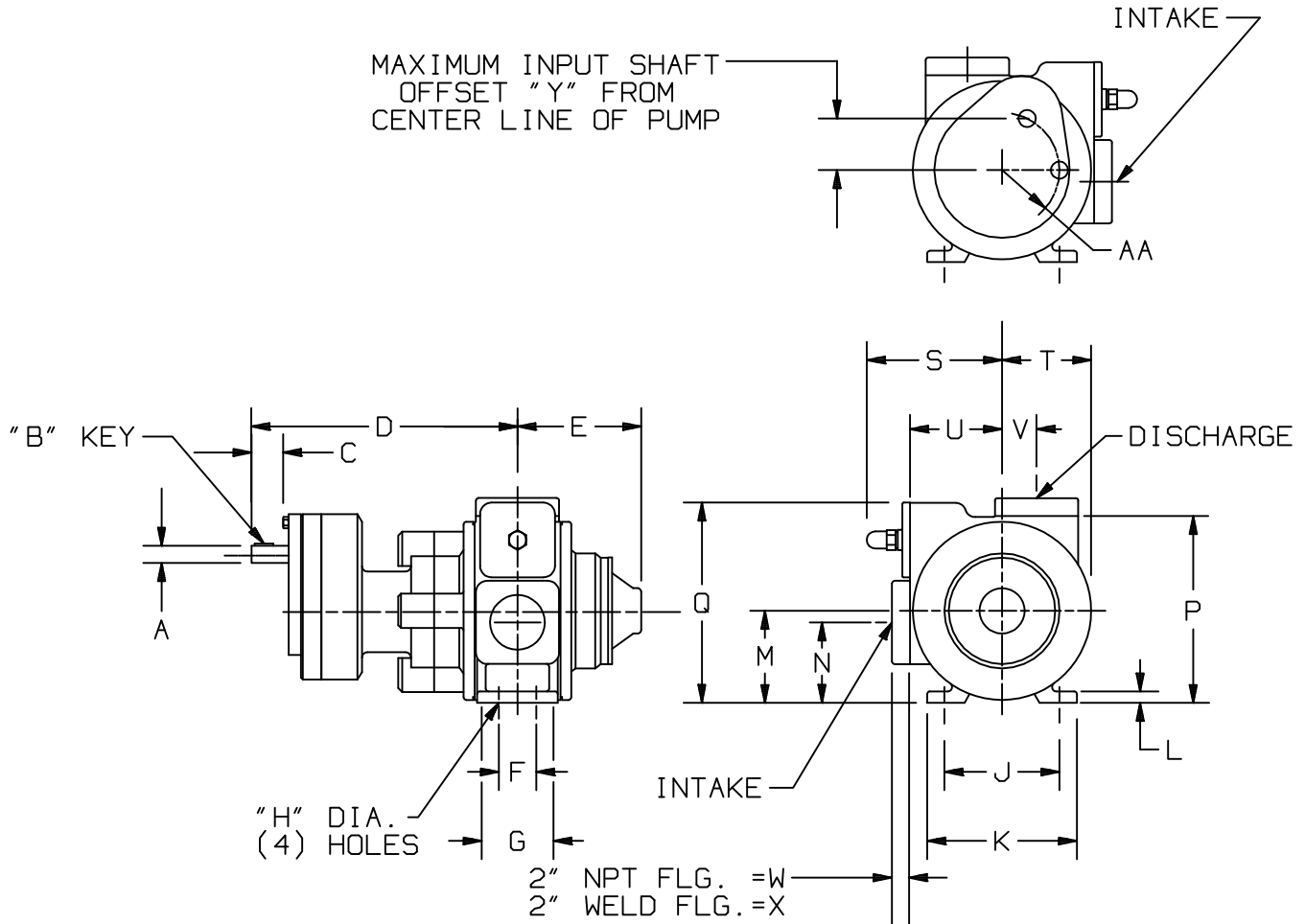


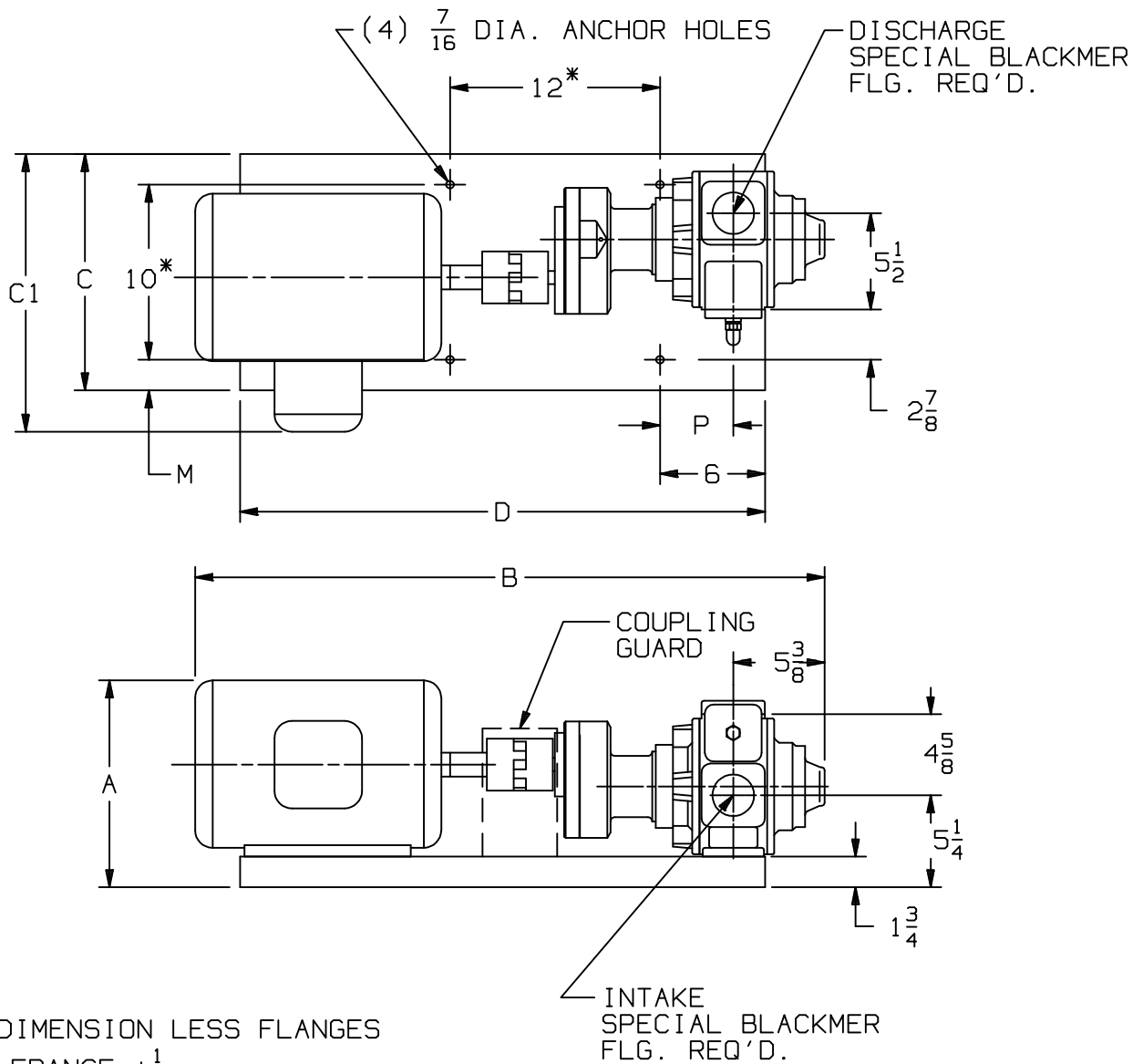
RIGHT HAND ROTATION. FOR LEFT HAND ROTATION, SHAFT PROJECTION IS OPPOSITE THAT SHOWN.



MOTOR			UNITS	DIMENSIONS									
FRAME SIZE				A	B	C	D	E	F	G	H	J	K
			IN	3/4	3/16	1 3/8	11 9/16	5 1/4	1 5/8	3 1/2	7/16	5	6 1/2
			MM	19,1	4,8	35,9	293,7	133,3	41,3	88,9	11,1	127	165,1
				L	M	N	P	Q	R	S	T	U	V
			IN	1/2	4	3 1/2	8 1/8	8 11/16	—	5 7/8	3 7/8	4	1 1/2
			MM	12,7	101,6	88,9	206,4	220,6	—	149,2	98,4	101,6	38,1
				W	X	Y	Z	AA	BB	CC	DD	EE	FF
			IN	3/4	1 3/16	2 1/4	—	2 1/2	—	—	—	—	—
			MM	19,1	30,2	57,2	—	63,5	—	—	—	—	—
				GG	HH					PUMP WEIGHT	WITH STD. FLANGES		
			IN	—	—					LBS	110		
			MM	—	—					KG	50		

TYPE	SIZE	UNIT STYLE
GX RIGHT HAND ROTATION	2B	GX

DIMENSIONS 101-105	
Section	101
Effective	February 2003
Replaces	March 1999
Page	2/3



UNIT DIMENSION LESS FLANGES

* TOLERANCE $\pm \frac{1}{8}$

TOLERANCE ON OTHER DIMENSIONS $\pm \frac{1}{4}$

"A" DIMENSION LESS EYEBOLT

FLG. HT: 2" NPT- $\frac{3}{4}$

2" WELD-1 $\frac{3}{16}$

MOTOR			BASE NO.	DIMENSIONS								
FRAME SIZE				A	B	C	C1	D	M	P		
143T			901631	9 $\frac{1}{8}$	30	13	—	28	1 $\frac{1}{2}$	2 $\frac{3}{4}$		
145T			901631	9 $\frac{1}{8}$	31	13	—	28	1 $\frac{1}{2}$	2 $\frac{3}{4}$		
182T			901632	11 $\frac{3}{8}$	32 $\frac{3}{4}$	13	—	28	1 $\frac{1}{2}$	2 $\frac{3}{4}$		
184T			901632	11 $\frac{3}{8}$	33 $\frac{3}{4}$	13	—	28	1 $\frac{1}{2}$	2 $\frac{3}{4}$		
213T			901633	12 $\frac{7}{8}$	36 $\frac{7}{8}$	13 $\frac{1}{2}$	16	30	1 $\frac{3}{4}$	4 $\frac{1}{4}$		
215T			901633	12 $\frac{7}{8}$	38 $\frac{3}{8}$	13 $\frac{1}{2}$	16	30	1 $\frac{3}{4}$	4 $\frac{1}{4}$		

