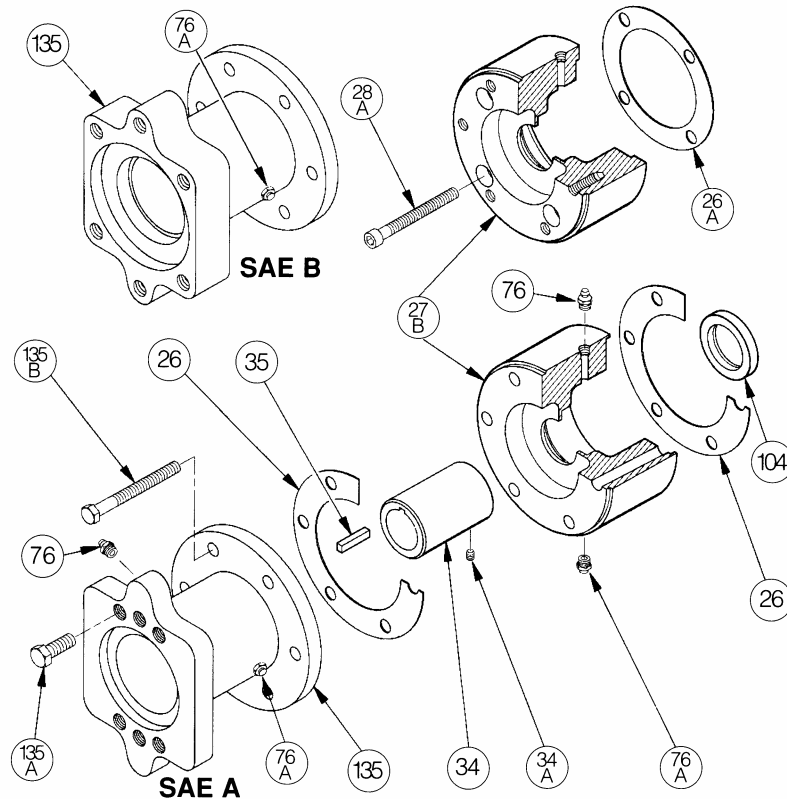


BLACKMER PARTS LIST960079 **PARTS LIST**
Page 1 of 2 **206-C00**

With Installation and Maintenance Instructions
HYDRAULIC MOTOR ADAPTER KITS FOR LIQUEFIED
GAS PUMP MODELS: LGL2E, LGLD2E, TLGLD2E, LGL3E,
LGLD3E, TLGLD3E, TLGLF3C, LGL4, LGLD4, TLGLF4A

Section	206
Effective	July 2001
Replaces	587/B1 Mar 94



Ref. No.	Description	Qty.	Kit No. 894400	Kit No. 895137	Kit No. 895138	Kit No. 892035	Kit No. 892036
			For Pump Models: LGL2E, LGLD2E, TLGLD2E	For Pump Model: TLGLF3C	For Pump Models: LGL3E, LGLD3E, TLGLD3E	For Pump Models: LGL4, LGLD4, TLGLF4A	For Pump Models: LGL4, LGLD4, TLGLF4A
			Part No.	Part No.	Part No.	Part No.	Part No.
26	Gasket – Bearing Cover	1-2	381817	381817	381817	381817	381817
26A	Gasket – Bearing Cover	0-1	383940	383940	–	–	–
27B	Bearing Cover / Spacer	1	834400	835138	835137	832000	832000
28A	Capscrews – Bearing Cover/Head	4	920402	920427	–	–	–
34	Coupling (1 1/4 x 1 1/8)	1	906926	906926	906926	–	–
	Coupling (1 1/4 x 1 1/4)		–	–	–	906927	906927
34A	Setscrew – Coupling	1	922075	922075	922075	922075	922075
35	Key – Coupling	1	909184	909184	909184	909184	909184
76	Grease Fitting	2	317815	317815	317815	317815	317815
76A	Grease Relief Fitting	2	701992	701992	701992	701992	701992
104	Grease Seal	1	331918	331918	331908	331908	331908
135	Hydraulic Motor Adapter	1	*041803	*041803	*041803	*041803	*041802
135A	Capscrews – Adapter/Motor	2-4	920510	920510	920510	920510	920510
135B	Capscrew – Adapter/Bearing Cover	6	920331	920331	920438	920436	920436

*Part Number 041803 = SAE A Motor Adapter; Part Number 041802 = SAE B Motor Adapter.

SAFETY DATA

NOTICE:

Blackmer pumps **MUST** only be installed in systems which have been designed by qualified engineering personnel. The system **MUST** conform to all applicable local and national regulations and safety standards.

These instructions are intended to assist in the installation of Blackmer hydraulic motor adapters, and **MUST** be kept with the pump.

Blackmer pump service shall be performed by qualified technicians **ONLY**. Service shall conform to all applicable local and national regulations and safety standards.

Thoroughly review the pump manual, all instructions and hazard warnings, **BEFORE** performing any work on Blackmer truck pumps.

Maintain **ALL** system and Blackmer truck pump operation and hazard warning decals.

WARNING



Hazardous machinery can cause severe personal injury or property damage.

FAILURE TO SET THE VEHICLE EMERGENCY BRAKE AND CHOCK WHEELS BEFORE PERFORMING SERVICE CAN CAUSE SEVERE PERSONAL INJURY OR PROPERTY DAMAGE.

CAUTION



Hazardous pressure can cause personal injury or property damage.

FAILURE TO RELIEVE SYSTEM PRESSURE PRIOR TO PERFORMING SERVICE CAN CAUSE PERSONAL INJURY OR PROPERTY DAMAGE.

NOTICE:

FOR HANDLING LIQUEFIED GAS, IT IS RECOMMENDED THAT NFPA PAMPHLET 58 AND LOCAL AND STATE REGULATIONS BE CONSULTED FOR SAFETY STANDARDS.

NOTICE:

THE APPROPRIATE BLACKMER PUMP INSTRUCTIONS AND PARTS LISTS CAN BE OBTAINED BY CONTACTING BLACKMER CUSTOMER SERVICE AT THE ADDRESS OR TELEPHONE NUMBER PROVIDED.

PUMP INSTRUCTION SHEETS AND PARTS LISTS

PUMP MODEL	PUMP INSTRUCTION SHEET	PUMP PARTS LIST
LGL2E, LGLD2E, TLGLD2E, LGL3E, LGLD3E, TLGLD3E	585/E	585/E1
TLGLF3C	585/F	585/F1
LGL4, LGLD4	585/G	585/G1
TLGLF4A	585/G	585/G3

HYDRAULIC ADAPTER INSTALLATION

1. Remove the bearing cover (27) and gasket (26) from the **inboard** end of the pump. Discard the gasket.
2. Inspect the pump head to verify it is machined with the necessary pilot/shoulder for adapter alignment, as shown in Figure 1. NOTE: The head must be replaced if it is not machined with a pilot/shoulder—consult factory.

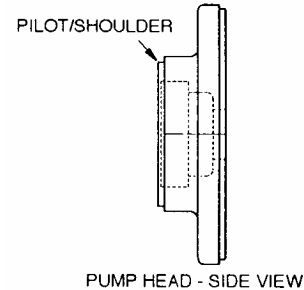


Figure 1

3. Install the grease seal (104) into the bearing cover/spacer (27B) with flat side **INWARD**. The lips of the grease seal should face towards the pump head when the cover is attached.
 4. Install a new gasket (26 or 26A) and bearing cover/spacer (27B) on the pump head. For LGL2E, TLGLD2E and TLGLF3C pump models, install the allen-head capscrews (28A) in the counter-sunk holes of the bearing cover/spacer, torquing to 30 lbs ft (40 Nm).
 5. Apply a light coating of grease to the pump shaft, and install the coupling (34) on shaft with the shaft key aligned in the notch. Lock the coupling into place with the setscrew (34A). Rotate the pump shaft until the key is on top.
 6. Attach the gasket (26) and hydraulic motor adapter (135) to the bearing cover/spacer. Torque the adapter/bearing cover capscrews (135B) to 30 lbs ft (40 Nm).
 7. Grease the hydraulic motor shaft. Install the coupling key (35) in the hydraulic motor shaft and align the key with the notch in the coupling. Attach the hydraulic motor to the adapter using the adapter/motor capscrews (135A), torquing to 40 lbs ft (54 Nm).
 8. Apply grease in the bearing cover/spacer and hydraulic motor adapter through the grease fittings (76).
- Recommended Grease:**
Amoco® - Amolith All Weather Grease, or equivalent.
9. Attach hydraulic hoses to the hydraulic motor.

