

BLACKMER PARTS LIST

PUMP MODELS: XRLW1.25A, XLW1.25A, XLW1.5A

XRLW1.25, XLW1.25, XLW1.5

(See Instructions 105-A00 for Installation, Operation and Maintenance)

Aug 2007: Discontinued Models, parts availability may be limited.

962303

Page 1 of 2

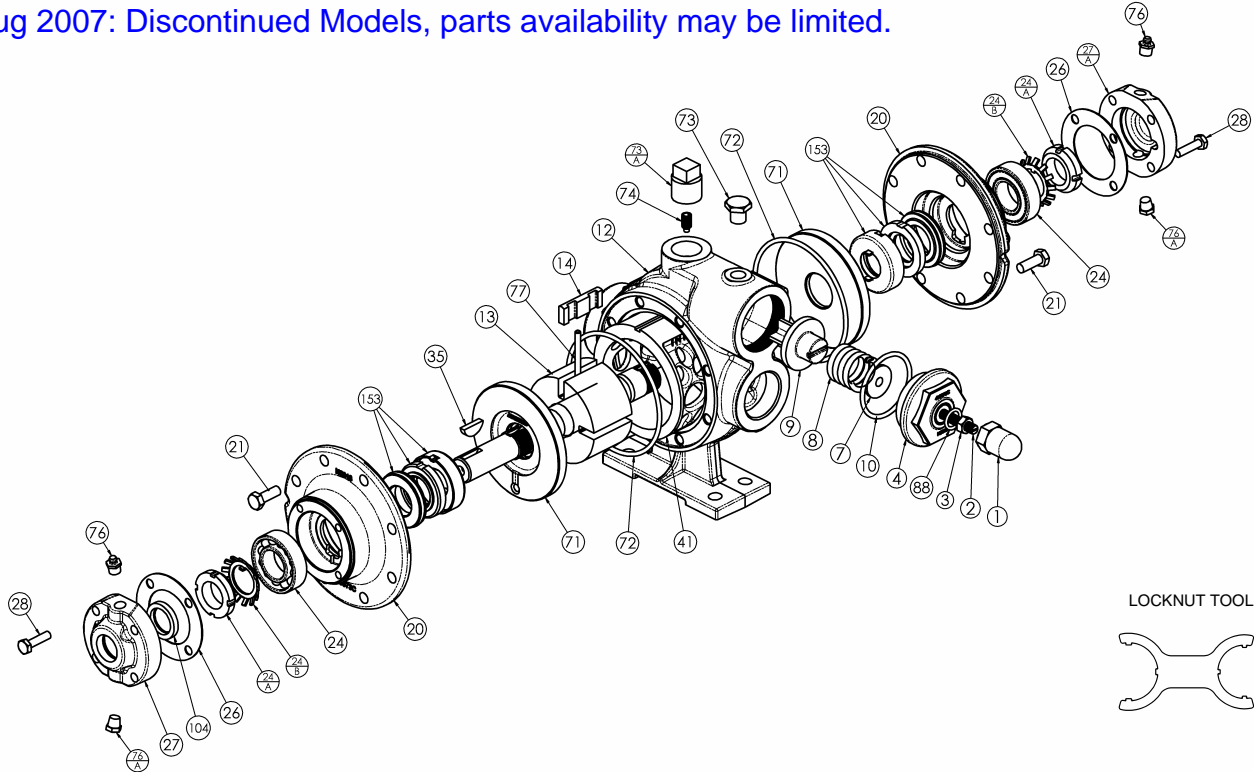
PARTS LIST

105-A01_jan06

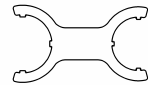
Section 100

Effective Jan 2006

Replaces May 2003



LOCKNUT TOOL



Ref. No.	Description	Parts per Pump	Part No.	Ref. No.	Description	Parts per Pump	Part No.
1	Cap – Relief Valve (R/V)	1	413200	26	Gasket – Bearing Cover	2	¹ 383075
2	Adjusting Screw – R/V	1	433909	27	Bearing Cover – Inboard	1	043070
3	Locknut – Adjusting Screw	1	922923	27A	Bearing Cover – Outboard	1	043071
4	Cover – R/V	1	413076	28	Capscrews – Bearing Cover	8	920080
7	Spring Guide – R/V	1	423955	35	Key – Shaft	1	¹ 909125
8	Spring – R/V (20 - 50 psi)	1	471415	41	Liner – XRLW 1.25	1	² 182326
	Spring – R/V (51 - 80 psi) (Std)		471420		Liner – XLW 1.25		² 182327
	Spring – R/V (81 - 150 psi)		471428		Liner – XLW 1.5		² 182626
	SS Spring – R/V (25 - 50 psi)		471417	71	Disc	2	² 063075
	SS Spring – R/V (51 – 75 psi)		471418	72	O-Ring – Head (FKM) (Std)	2	¹ 701991
	SS Spring – R/V (76 – 100 psi)		471427		O-Ring – Head (PTFE)		702066
	SS Spring – R/V (101 - 150psi)		471429		73		Gage Plug (1/4")
9	Valve – R/V (Std.)	1	453079	73A**	Gage Plug (3/4")	1	908225
	Valve – R/V (Nickel Plated)		453073	74	Setscrew – Liner	1	922088
10	O-Ring – R/V Cover (FKM) (Std)	1	¹ 711924	76	Grease Fitting	2	317815
	O-Ring – R/V Cover (PTFE)		702084	76A	Grease Relief Fitting	2	701992
12	Casing (1.25)	1	013075	77	Push Rod – XRLW 1.25	2	¹ 123004
	Casing (1.5)		013376		Push Rod – XLW 1.25		¹ 123076
13	Rotor & Shaft Assembly (Includes Ref. Nos. 24A & 24B)	1	² 263076		Push Rod XLW 1.5		1
	14		Vane – Hardened Iron (Std)	¹ 092326	88	O-Ring – R/V Cap (FKM) (Std)	
Vane – Laminate		093089	O-Ring – R/V Cap (PTFE)	702074			
Vane – Extra Clearance Laminate		093091	104	Grease Seal		1	¹ 331927
20	Head	2	033073	—	Kit – Maintenance - XRLW 1.25	—	898972
21	Capscrews – Head	16	920276	—	Kit – Maintenance - XLW 1.25	—	898984
24	Ball Bearing	2	¹ 903114	—	Kit – Maintenance - XLW 1.5	—	898973
24A	Locknut – Bearing	2	903534	—	Kit – Rebuild - XRLW 1.25	—	899072
24B	Lockwasher – Bearing	2	¹ 903533	—	Kit – Rebuild - XLW 1.25	—	899084
				—	Kit – Rebuild - XLW 1.5	—	899073

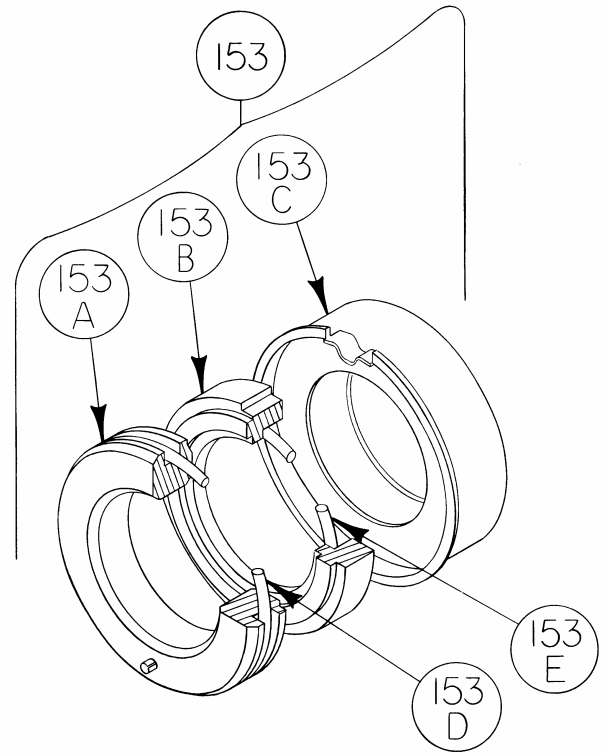
¹ Included in Maintenance and Rebuild Kits. ² Included in Rebuild Kit

** Ref. No. 73A: Earlier versions of these pumps may use a 1/4" plug (pn 908198) or 1/2" plug (pn 908215).

Keep this parts list with Installation, Operation and Maintenance Instructions.

MECHANICAL SEAL

Ref. No.	Part Name	Parts Per Pump	Part No.
153	Mechanical Seal Assembly (STD) Silicon Carbide Stationary Seat, Hardened Steel Rotating Seal Face, FKM O-Rings (LVSV)	2	¹ 332328
	Mechanical Seal Assembly Silicon Carbide Stationary Seat, Hardened Steel Rotating Seal Face, PTFE O-Rings (LAST)		332333
	Mechanical Seal Assembly Silicon Carbide Stationary Seat, Silicon Carbide Rotating Seal Face, FKM O-Rings (LVLV)		332335
	Mechanical Seal Assembly Silicon Carbide Stationary Seat, Silicon Carbide Rotating Seal Face, PTFE O-Rings (LALT)		332382
153A **	Stationary Seat (Silicon Carbide)	2	332303
153B **	Seal Face (Hardened Steel)	2	333048
	Seal Face (Silicon Carbide)		333024
153C **	Jacket Assembly	2	333057
153D	O-Ring – Stationary (FKM)	2	711908
	O-Ring – Stationary (PTFE)		702076
153E	O-Ring – Rotating (FKM)	2	701971
	O-Ring – Rotating (PTFE)		702201



¹ Included in Maintenance and Rebuild Kits

** Ref. Nos. 153A, 153B, 153C are not available as separate parts.

