

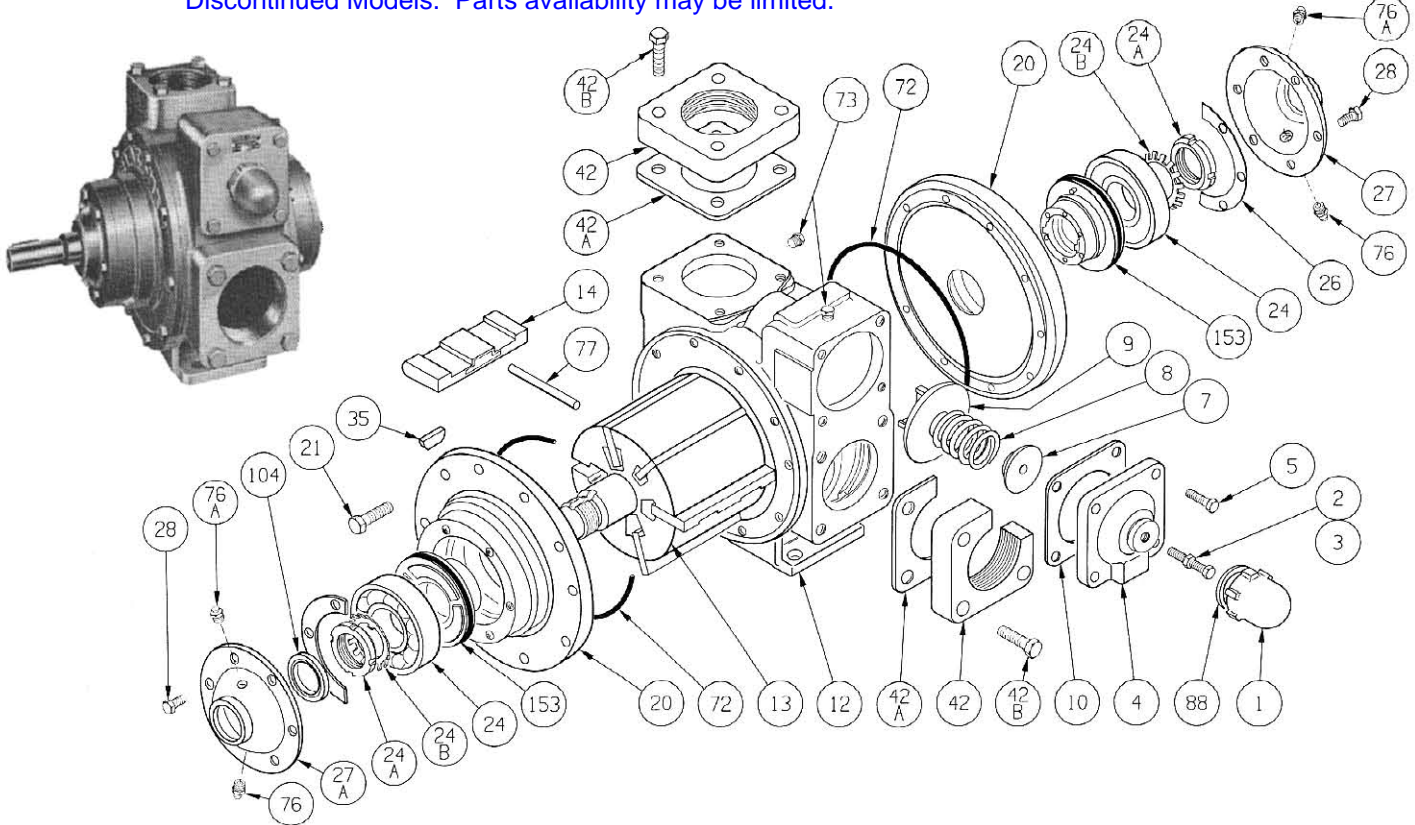
BLACKMER PUMP PARTS LIST

MODEL: X3C, XS3C

(See Instructions 185/C for Operation and Maintenance)
 Discontinued Models. Parts availability may be limited.

960218
PARTS LIST NO. 185/C13

Section | 100
 Effective | April 1993
 Replaces | November 1988

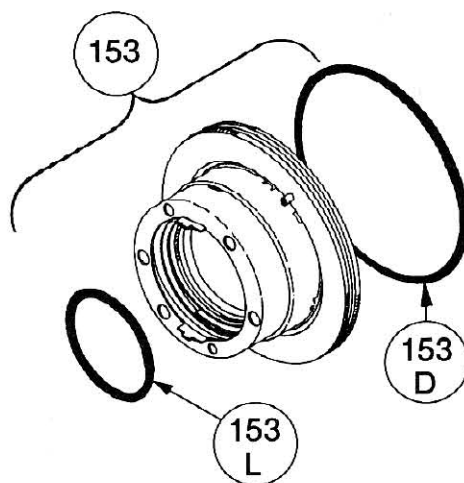


REF. NO.	PART NAME	PARTS PER PUMP	PART NO.	REF. NO.	PART NAME	PARTS PER PUMP	PART NO.
1	Cap - Relief Valve (R/V)	1	413952	21	Capscrews - Head	20	920369
2	Adjusting Screw - R/V	1	431808	24	Ball Bearing	2	*903172
3	Locknut - Adjusting Screw	1	922923	24A	Locknut - Bearing	2	903523
4	Cover - R/V	1	411807	24B	Lockwasher - Bearing	2	903524
5	Capscrew - R/V Cover	4	920331	26	Gasket - Bearing Cover	2	*385125#
7	Spring Guide - R/V	1	421805	27	Bearing Cover - Outboard	1	041817
8	Spring - R/V (30-35 psi)	1	471804	27A	Bearing Cover - Inboard	1	041815
	Spring - R/V (36-50 psi)		471805	28	Capscrews - Bearing Cover	12	920285
	Spring - R/V (51-110 psi)(Std.)		*471806	35	Key - Shaft	1	*909130
	Spring - R/V (111-125 psi)		471809	42	Flange - 3" NPT	1-2	651803
	SS Spring - R/V (36-50 psi)		471815		Flange - 3" Weld		655106
	SS Spring - R/V (51-110 psi)		471807	42A	Gasket - Flange	1-2	*381811#
	SS Spring - R/V (111-125 psi)		471808	42B	Capscrews - NPT Flange	4-8	920532
9	Valve - R/V (Std.)	1	*451807		Capscrews - Weld Flange		920510
	Valve - R/V (Nickel Plated)		451808		O-Ring - Head (Buna-N)(Std.)		*701944#
10	Gasket - R/V Cover	1	*531803#	72	O-Ring - Head (Viton)	2	711938
12	Cylinder	1	021805		O-Ring - Head (Teflon)		702082
13	Rotor & Shaft (Includes Ref. Nos. 24A & 24B)	1	261839	73	Gage Plug	2	908198
	EC Rotor & Shaft (Includes Ref. Nos. 24A & 24B)		261861	76	Grease Fitting	2	317815
14	Vane - Duravane (Std.)	6	*091819	76A	Grease Relief Fitting	2	701992
	Vane - Bronze		091804	77	Push Rod	3	*121807
	Vane - Cast Iron		091821	88	Gasket - R/V Cap	1	*533908#
	Vane - Laminate		091809	104	Grease Seal	1	*331908#
	Vane - EC Laminate		091829		Pump Repair Kit (XS)		871173
20	Head	2	031815		Gasket Repair Kit		891888

* Parts Included in Pump Repair Kit. # Parts Included in Gasket Repair Kit. SS = Stainless Steel EC = Extra-Clearance

NOTE: Viton and Teflon are Registered Trademarks of the E.I. DuPont Company.

PARTS LIST NO. 185/C14



X3 MECHANICAL SEAL - STANDARD

REF. NO.	PART NAME	PARTS PER PUMP	PART NO.
153	Mechanical Seal Complete - Cast Iron Stationary Seat, Carbon Seal Face, Buna-N O-Rings.	2	331880
153D	O-Ring - Stationary (Buna-N)	2	701936
153L	O-Ring - Rotating (Buna-N)	2	711912

XS3 MECHANICAL SEAL - OPTIONAL

REF. NO.	PART NAME	PARTS PER PUMP	PART NO.
153	Mechanical Seal Complete - Cast Iron Stationary Seat, Carbon Seal Face, Viton O-Rings.	2	331883
153D	O-Ring - Stationary (Viton)	2	711931
153L	O-Ring - Rotating (Viton)	2	701962

X3 MECHANICAL SEAL - OPTIONAL

REF. NO.	PART NAME	PARTS PER PUMP	PART NO.
153	Mechanical Seal Complete - Cast Iron Stationary Seat, Bronze Seal Face, Buna-N O-Rings.	2	331879
153D	O-Ring - Stationary (Buna-N)	2	701936
153L	O-Ring - Rotating (Buna-N)	2	711912

XS3 MECHANICAL SEAL - OPTIONAL

REF. NO.	PART NAME	PARTS PER PUMP	PART NO.
153	Mechanical Seal Complete - Cast Iron Stationary Seat, Bronze Seal Face, Viton O-Rings.	2	331881
153D	O-Ring - Stationary (Viton)	2	711931
153L	O-Ring - Rotating (Viton)	2	701962

XS3 MECHANICAL SEAL - STANDARD

REF. NO.	PART NAME	PARTS PER PUMP	PART NO.
153	Mechanical Seal Complete - Cast Iron Stationary Seat, Buna-N O-Ring, Carbon Seal Face with Teflon Seal Ring.	2	*331882
153D	O-Ring - Stationary (Buna-N)	2	701936
153L	Seal Ring - Rotating (Teflon)	2	**

XS3 MECHANICAL SEAL - OPTIONAL

REF. NO.	PART NAME	PARTS PER PUMP	PART NO.
153	Mechanical Seal Complete - SS Stationary Seat, Carbon Seal Face, Viton O-Rings.	2	331885
153D	O-Ring - Stationary (Viton)	2	711931
153L	O-Ring - Rotating (Viton)	2	701962

XS3 MECHANICAL SEAL - OPTIONAL

REF. NO.	PART NAME	PARTS PER PUMP	PART NO.
153	Mechanical Seal Complete - SS Stationary Seat, Buna-N O-Ring, Carbon Seal Face with Teflon Seal Ring.	2	331884
153D	O-Ring - Stationary (Buna-N)	2	701936
153L	Seal Ring - Rotating (Teflon)	2	**

XS3 MECHANICAL SEAL - OPTIONAL

REF. NO.	PART NAME	PARTS PER PUMP	PART NO.
153	Mechanical Seal Complete - Cast Iron Stationary Seat, Teflon O-Ring, Carbon Seal Face with Teflon Seal Ring.	2	331873
153D	O-Ring - Stationary (Teflon)	2	702080
153L	Seal Ring - Rotating (Teflon)	2	**

* Included in Pump Repair Kit.

** Teflon Rotating Seal Ring is not available as a separate part.

blackmer

A DOVER RESOURCES COMPANY

1809 Century Avenue, Grand Rapids, Michigan 49509, U.S.A.
 (616) 241-1611 • Telex: 4320148 • Fax: (616) 241-3752